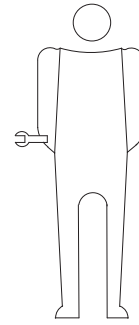
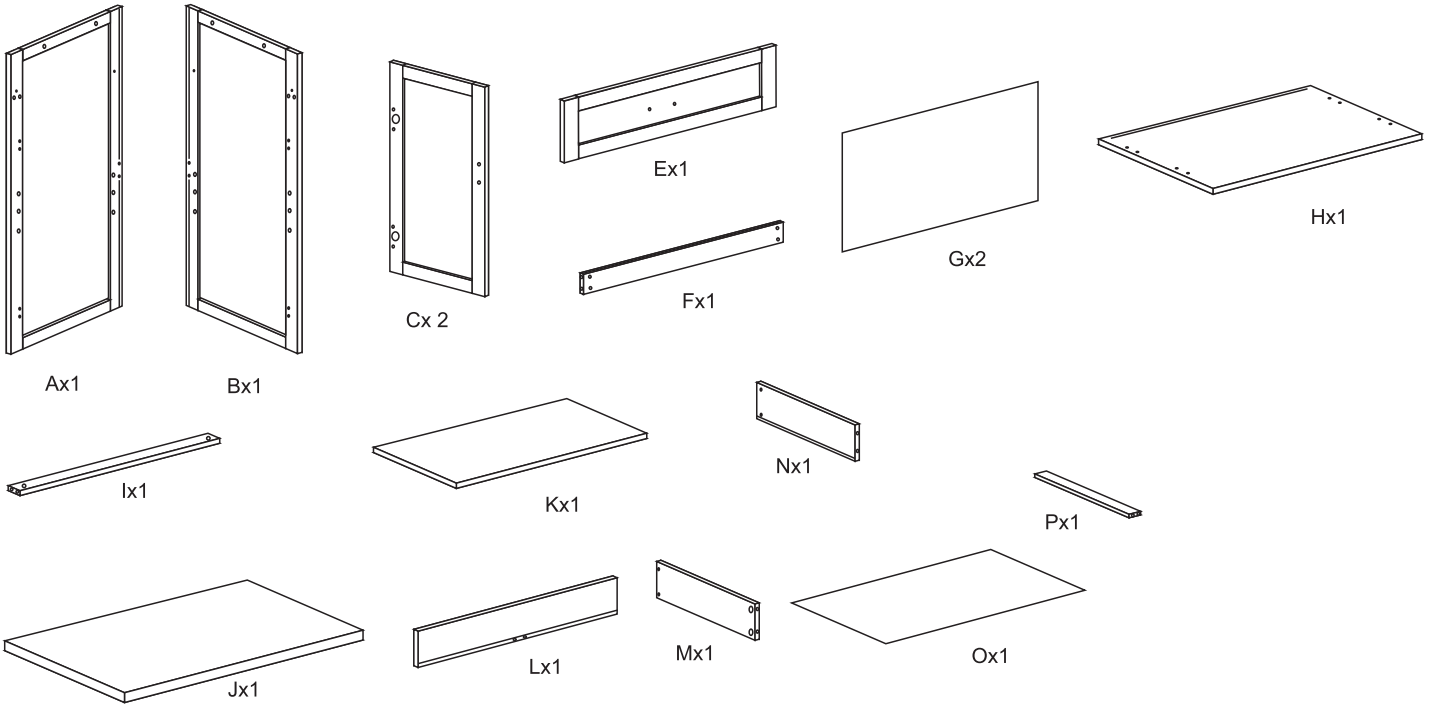


INSTRUCTION SHEET

22240027-01

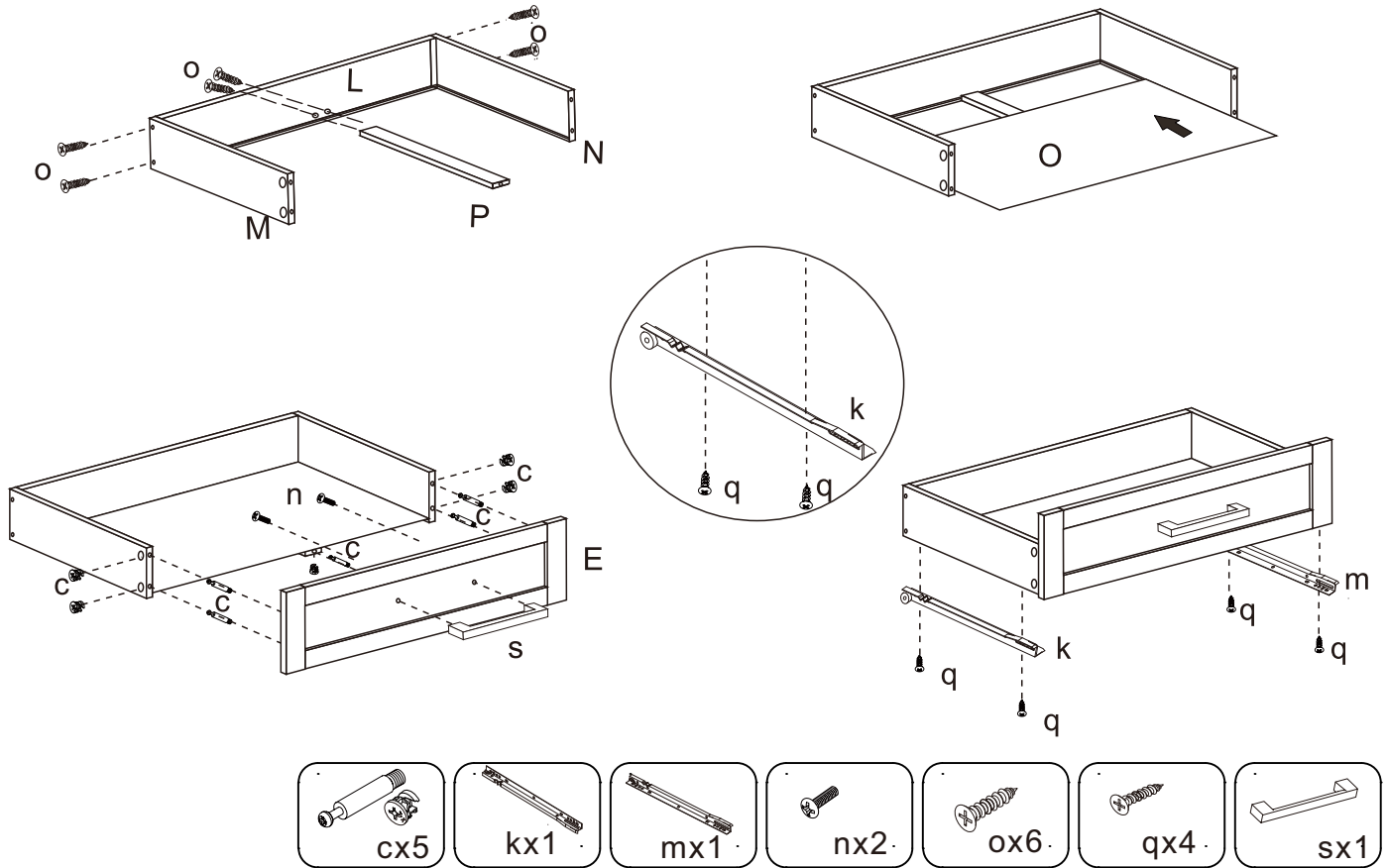


x1

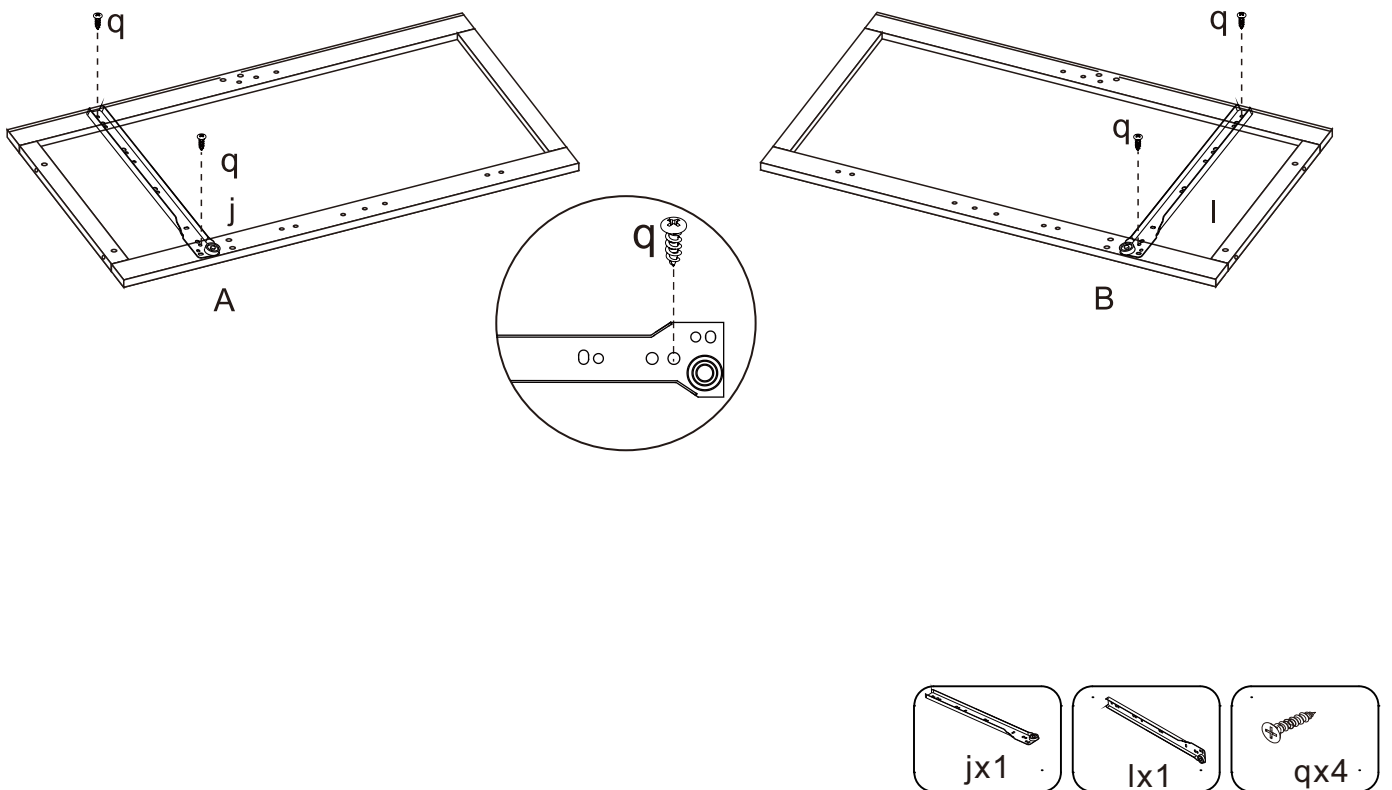


4x35mm ax4	4x14mm bx16	cx15	dx8	ex10	fx4	4x18mm gx4	hx2
ix4	jx1	kx1	lx1	mx1	4x8mm nx2	4x30mm ox6	px2
3x12mm qx8	sx3	4x12mm tx16	3x16mm wx8	yx2			

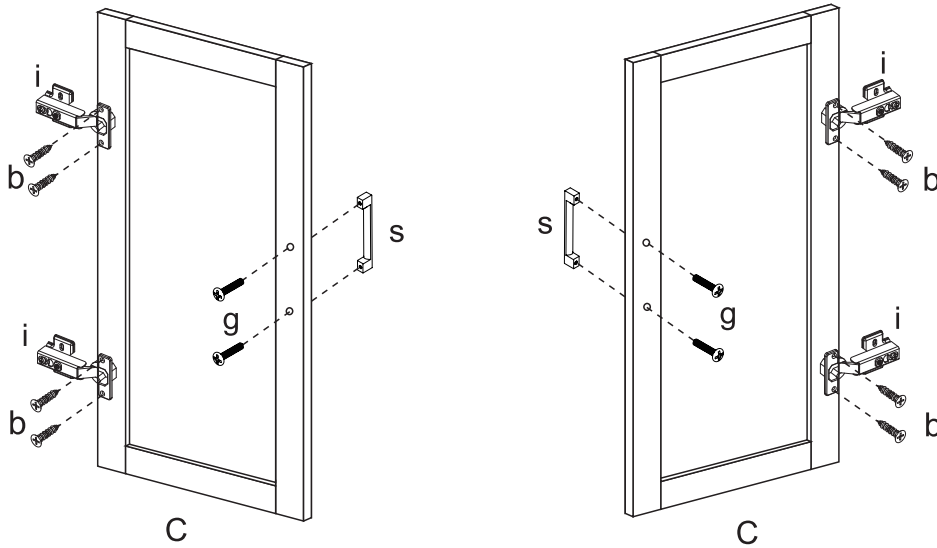
Step 1







Step 2

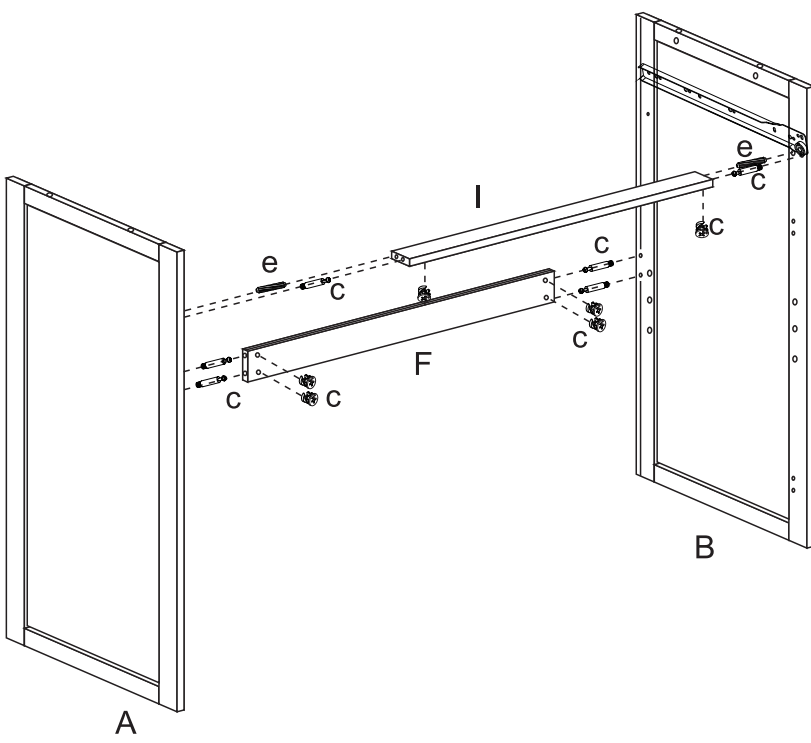




Step 3



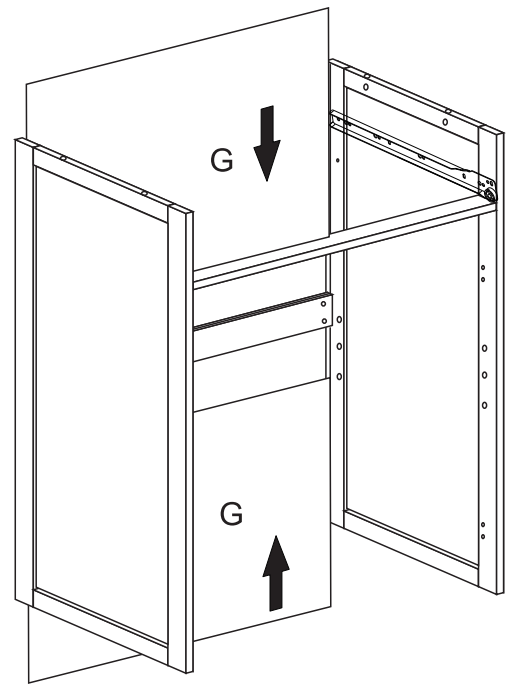
 bx8	 gx4	 ix4	 sx3
--	--	--	--

Step 4

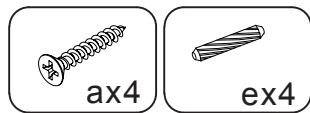
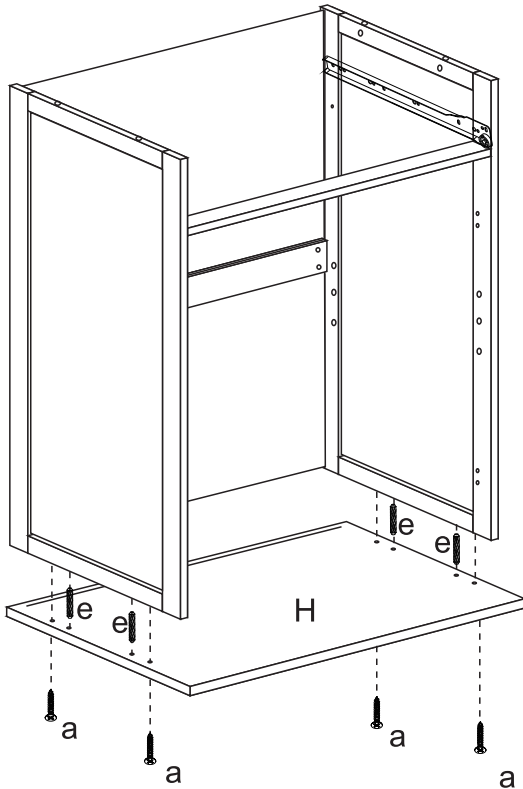


 cx6	 ex2
--	--

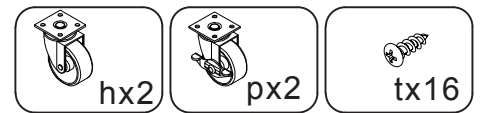
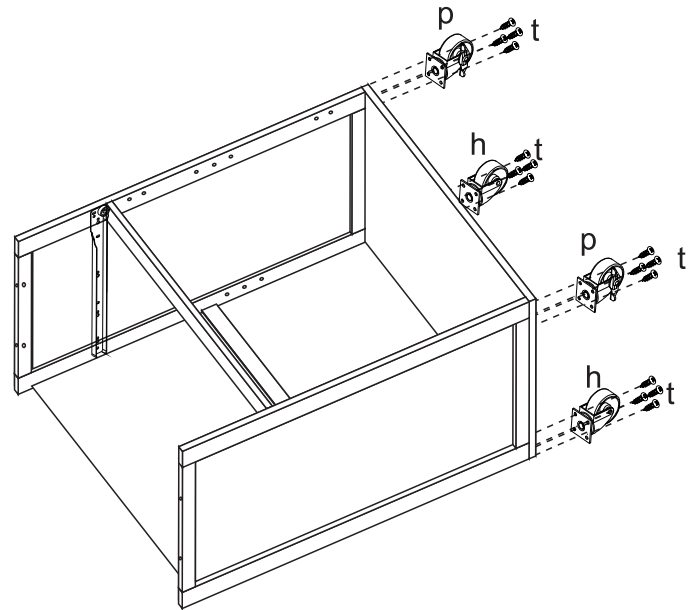
Step 5



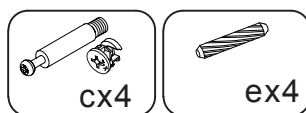
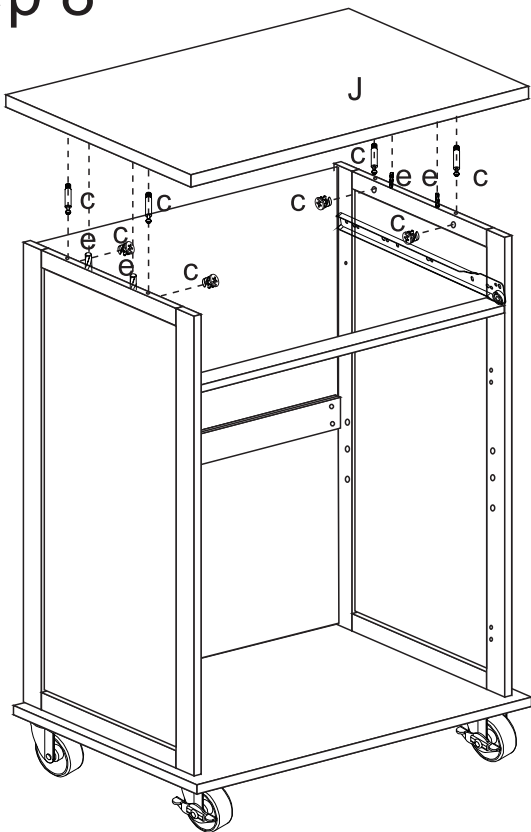
Step 6



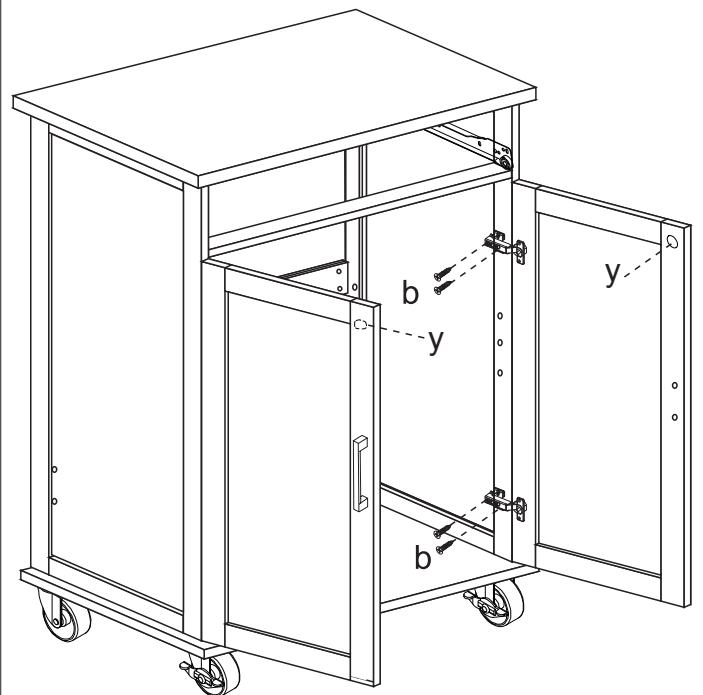
Step 7



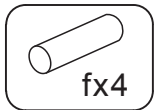
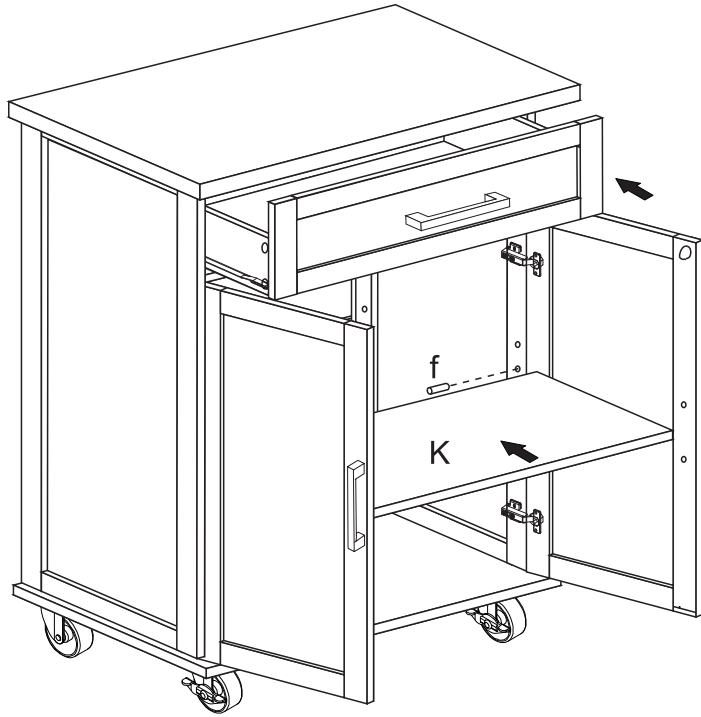
Step 8



Step 9



Step 10



Step 11

