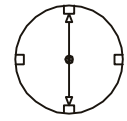
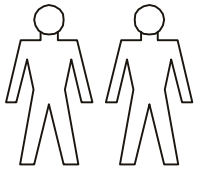
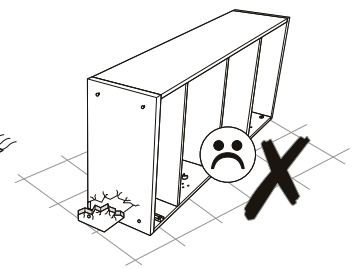
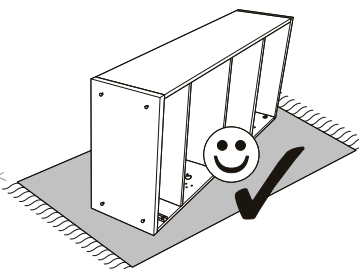
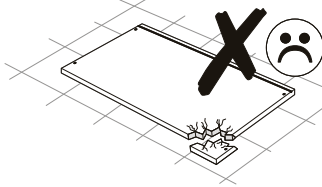
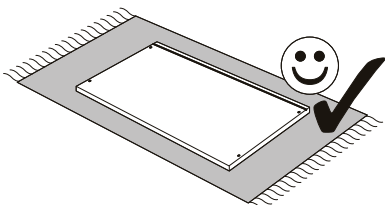
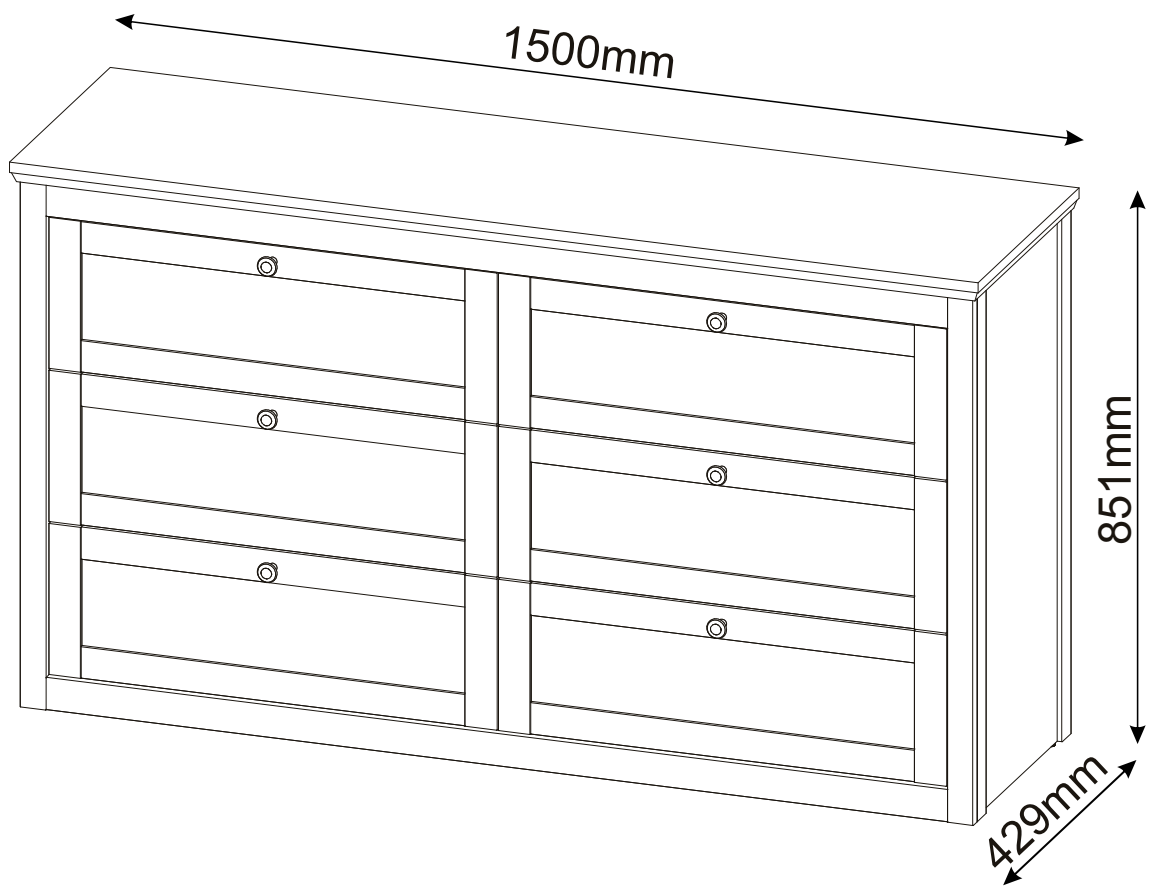
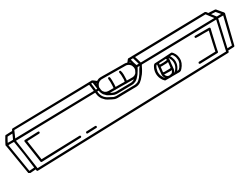
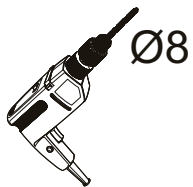
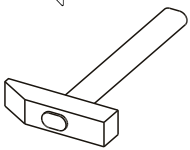
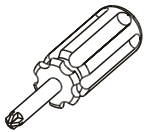
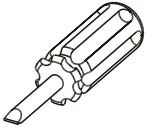












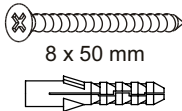


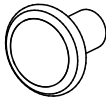
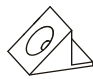
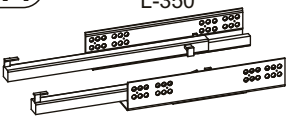
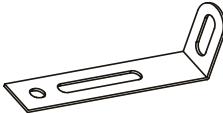
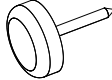
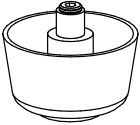
KORSIKA Kommode 6L

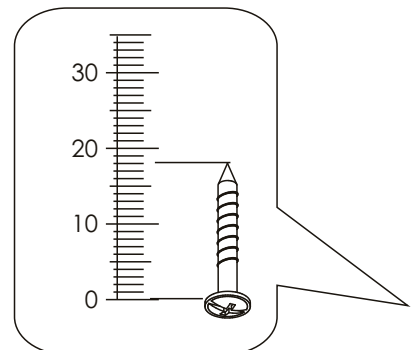
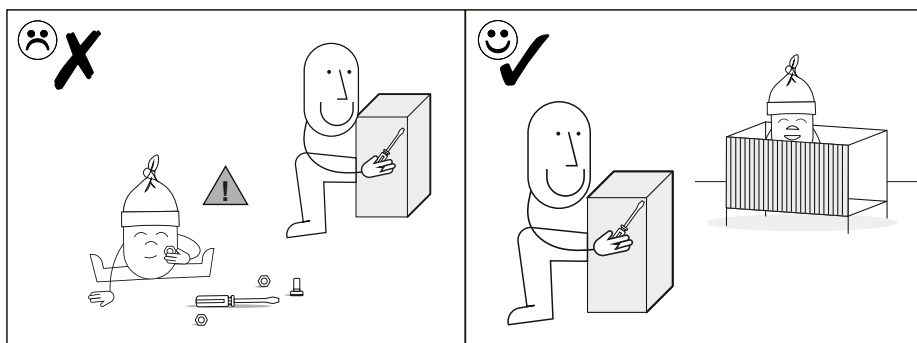
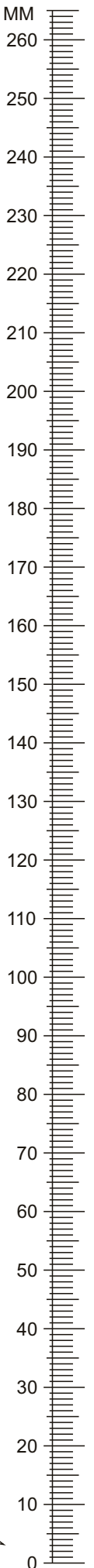
00030139/04




60
MIN

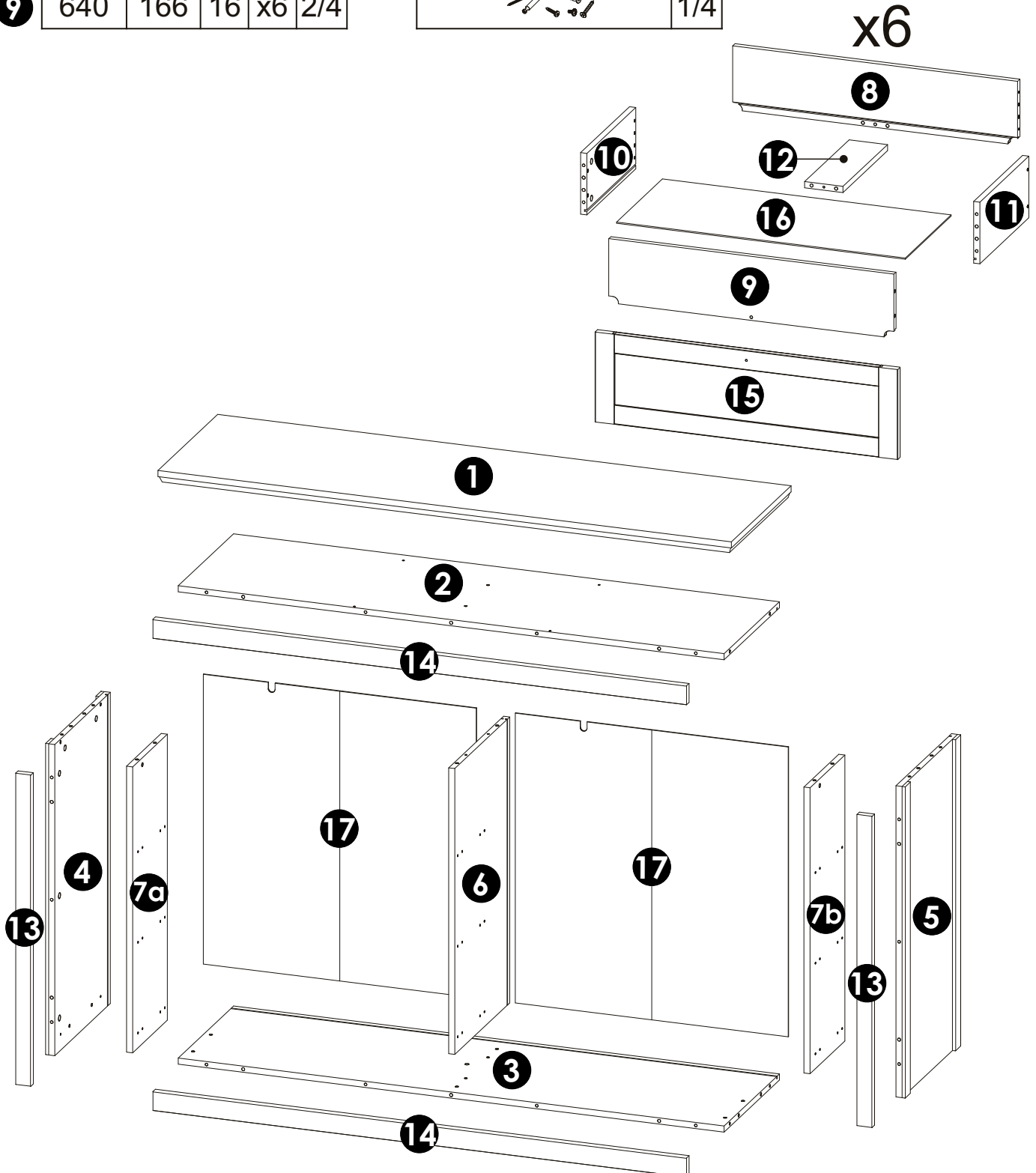


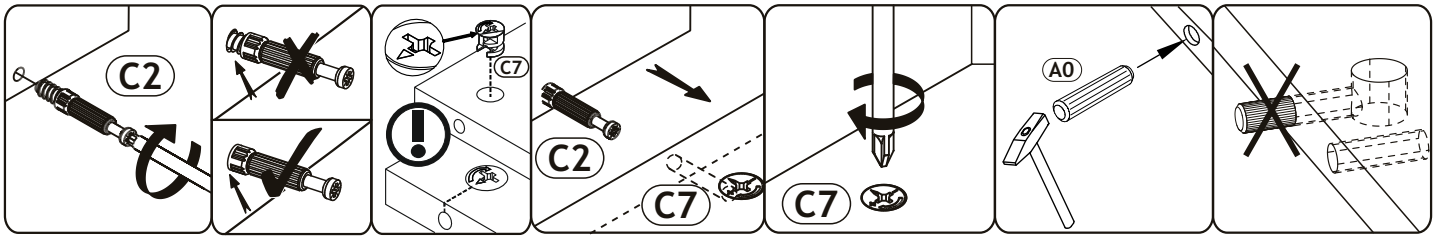
A0 8 x 30mm x130 	B1 7x 50 mm x40 	C0  x24
C2  x46	C7 16mm  x46	D0 3 x 15 mm  x48
D8 4.2 x 13 mm  x2	D13 4 x 30 mm  x4	D21 5 x 13 mm  x2
D31 6.3 x 13 mm  x48	E0 5 x 50 mm 8 x 50 mm  x2	H2 4 x 22 mm  x6
K 4mm  x1	L35  x6	M1  x48
N14 L-350  x6	P0  x2	T3  x4
T32  x1		



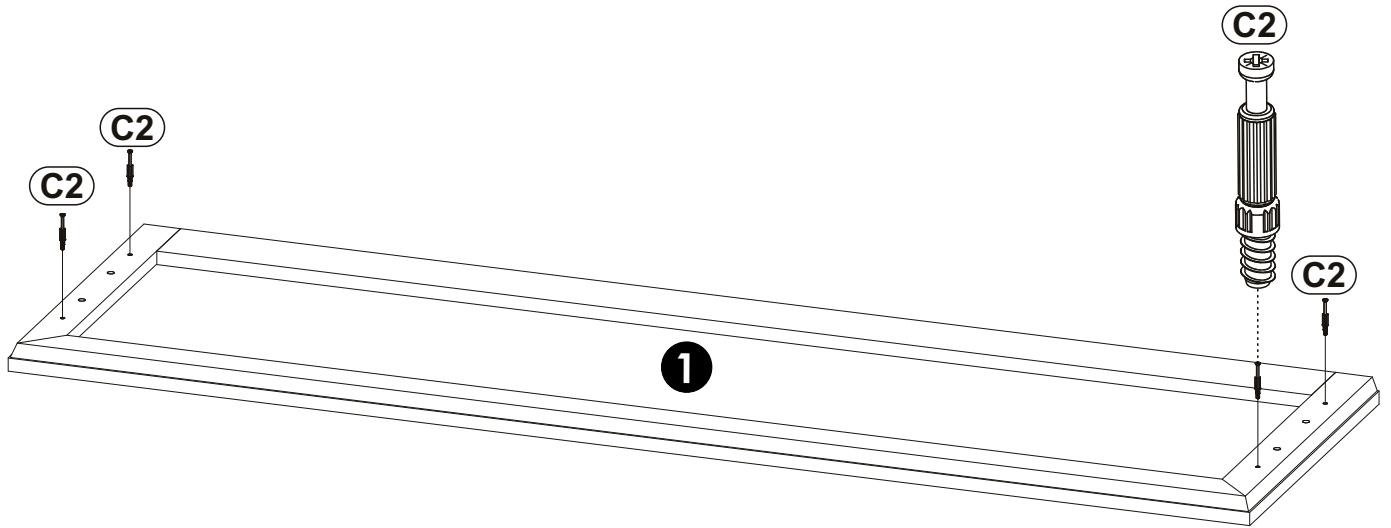
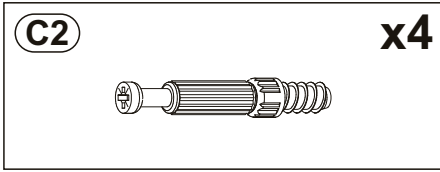
1	1500	429	32	x1	3/4
2	1428	398	16	x1	2/4
3	1428	398	16	x1	1/4
4	814	399	24	x1	4/4
5	814	399	24	x1	4/4
6	748	395	16	x1	1/4
7	748	250	16	x2	1/4
8	640	166	16	x6	2/4
9	640	166	16	x6	2/4

10	350	160	16	x6	1/4
11	350	160	16	x6	1/4
12	318	100	16	x6	2/4
13	814	40	18	x2	4/4
14	1396	50	18	x2	3/4
15	694	234	18	x6	3/4
16	650	328	3	x6	4/4
17	758	714	3	x2	4/4
					1/4



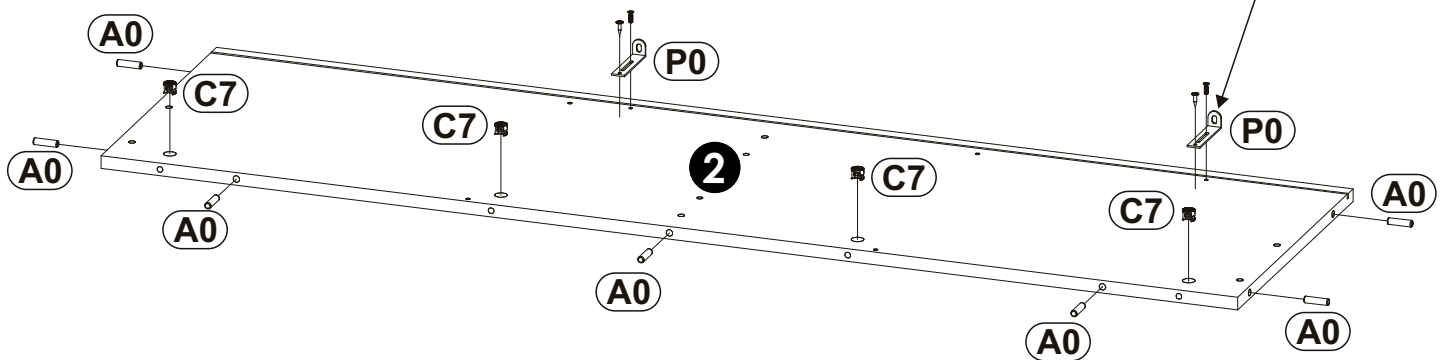
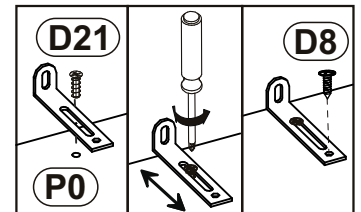


1



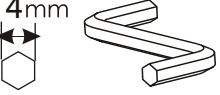
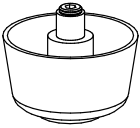


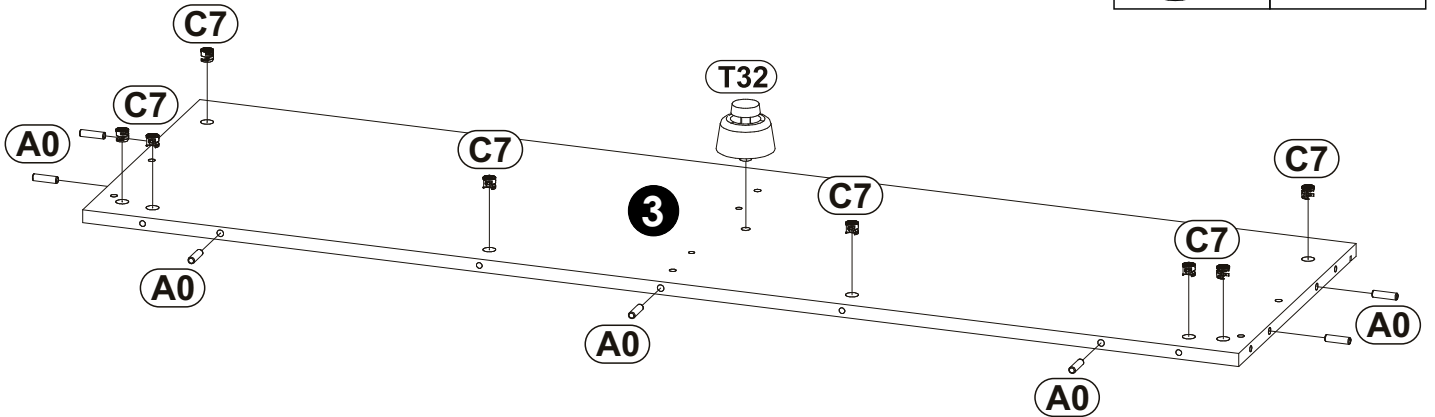
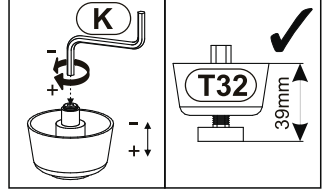
2

A0	8 x 30mm	x7	C7	16mm	x4	D8	4.2 x 13 mm	x2
D21	5 x 13 mm	x2	P0		x2			


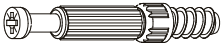

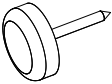


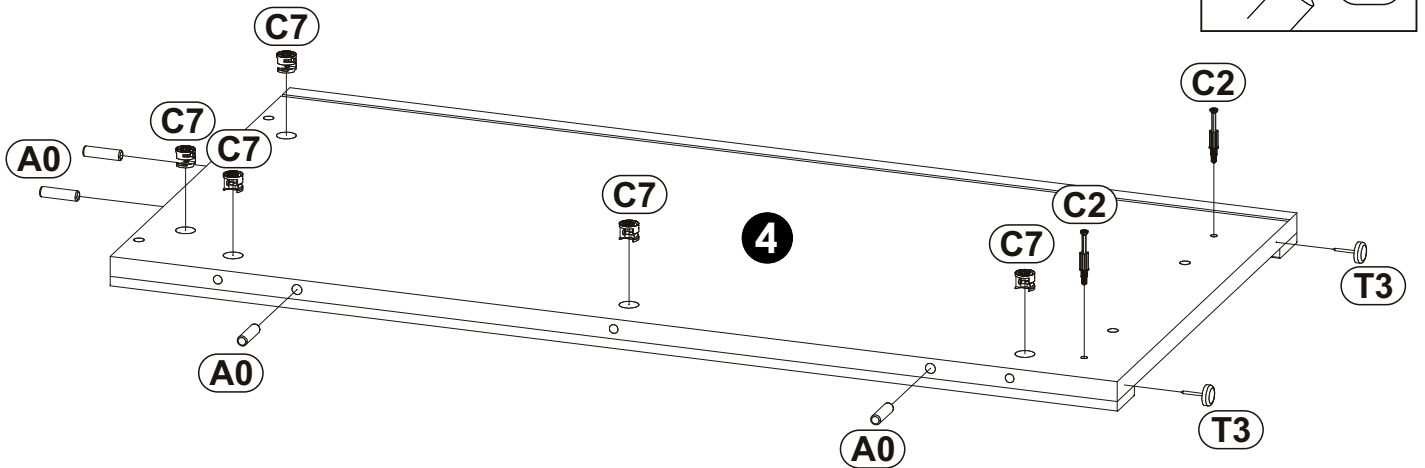
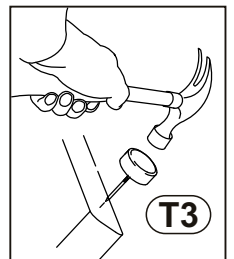
3

A0 8 x 30mm 	x7	C7 16mm 	x8	K 4mm 	x1
T32 	x1				




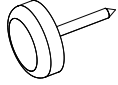


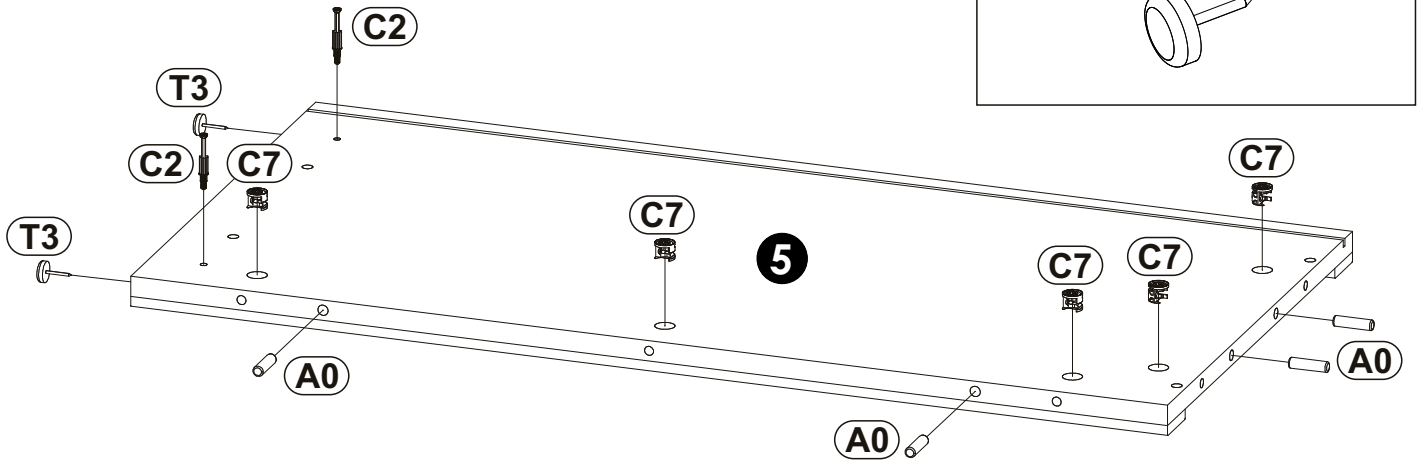
4

A0 8 x 30mm 	x4	C2 	x2	C7 16mm 	x5
T3 	x2				



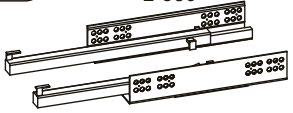


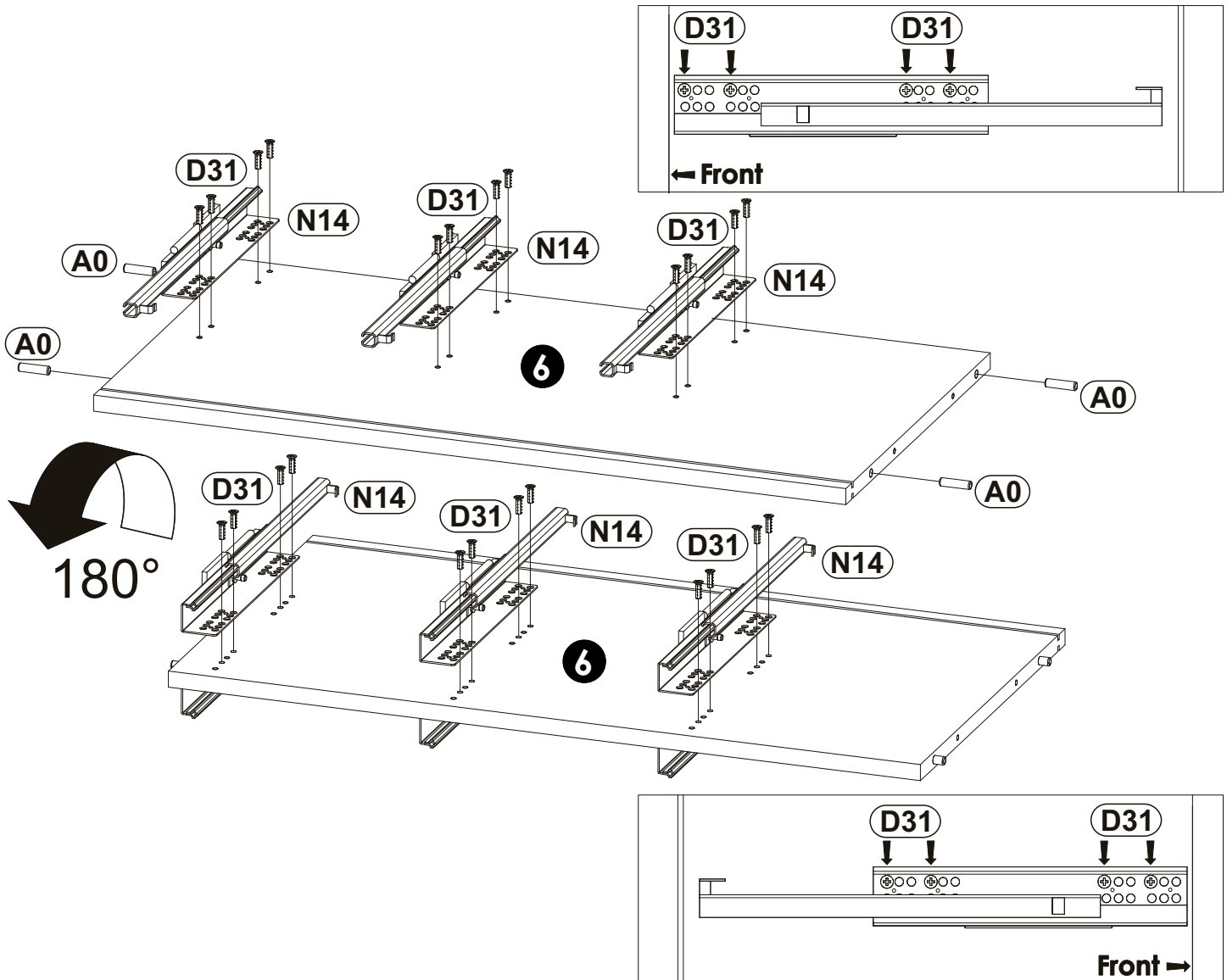
5

A0 8 x 30mm 	x4	C2 	x2	C7 16mm 	x5
				T3 	x2



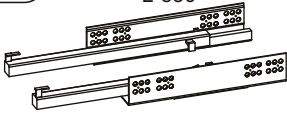


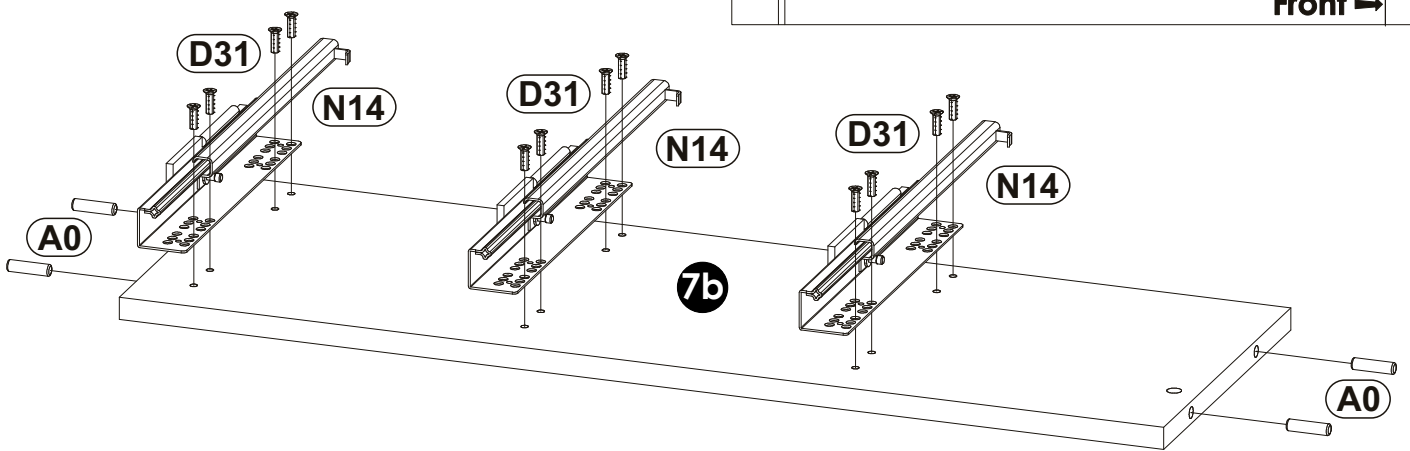
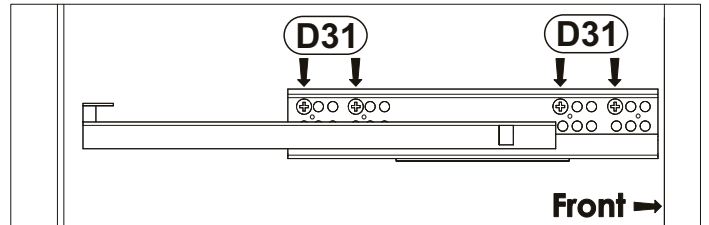
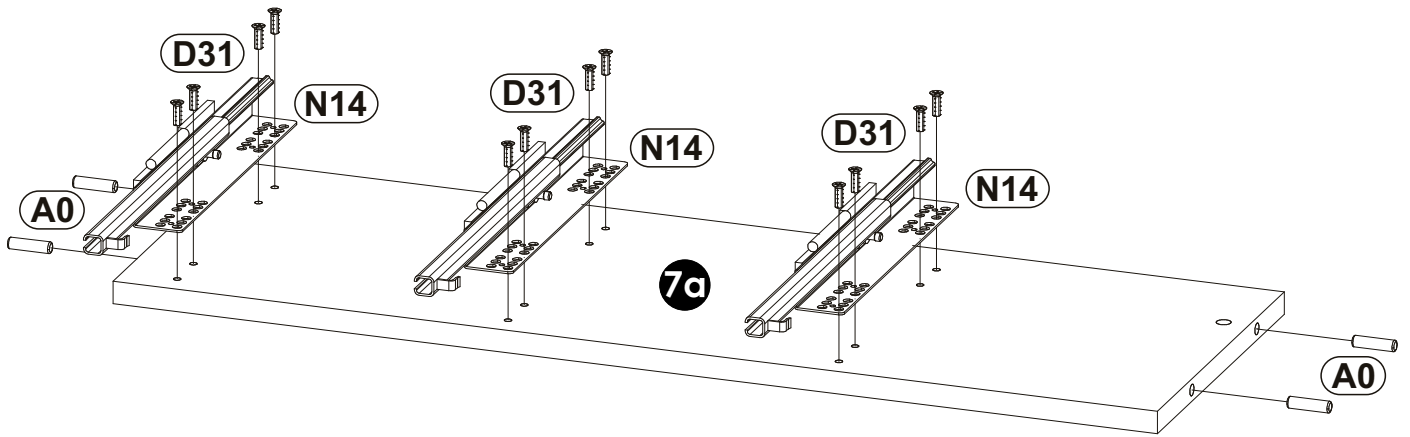
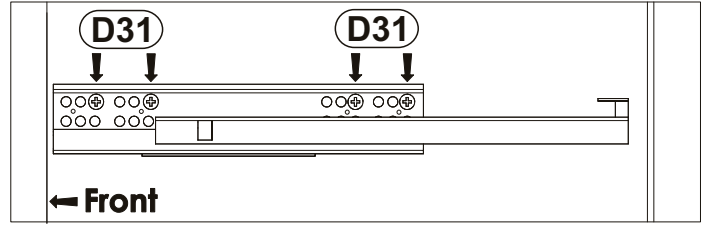
6

A0 8 x 30mm 	x4	D31 6.3 x 13 mm 	x24	N14 L-350 	x3
--	-----------	--	------------	--	-----------

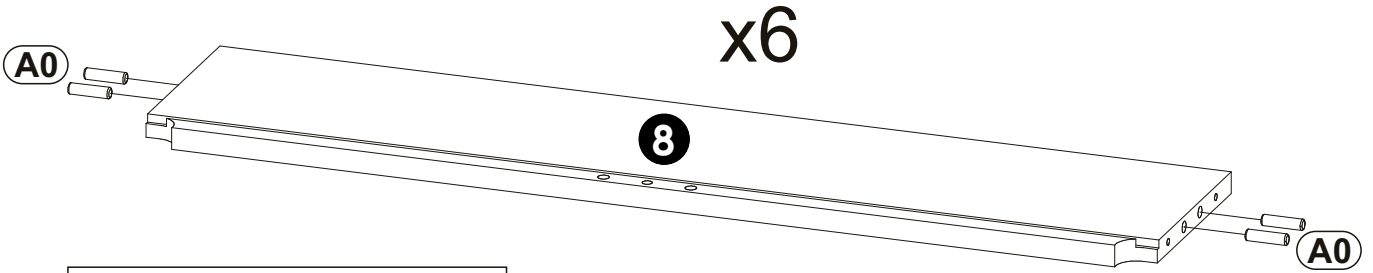
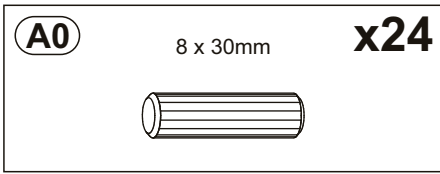


7

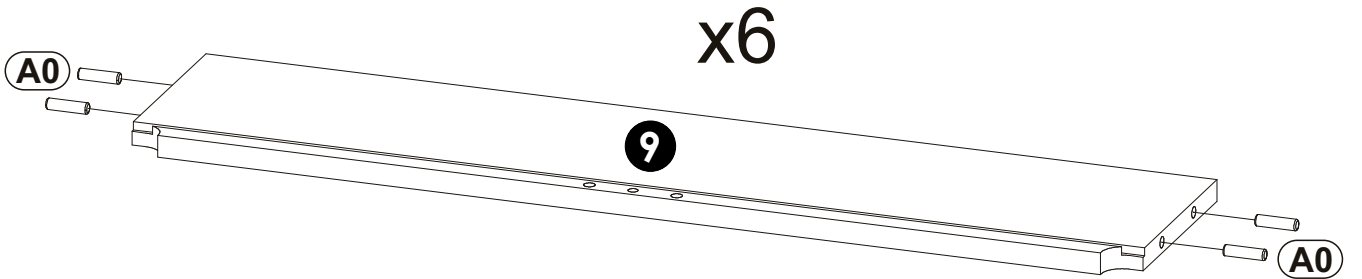
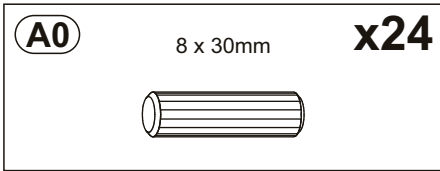
A0 8 x 30mm 	x8	D31 6.3 x 13 mm 	x24	N14 L-350 	x3
--	-----------	--	------------	--	-----------



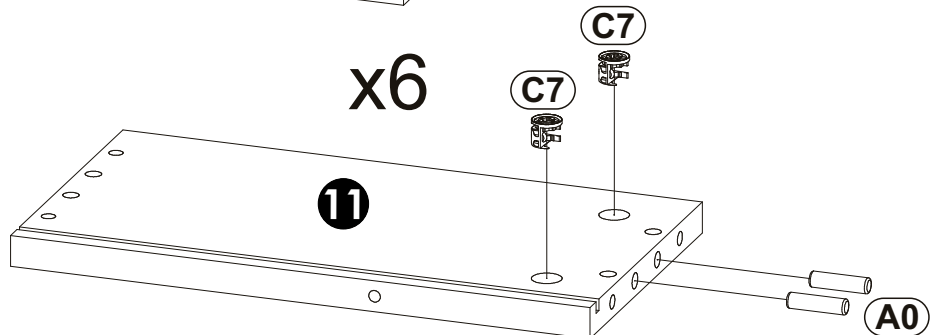
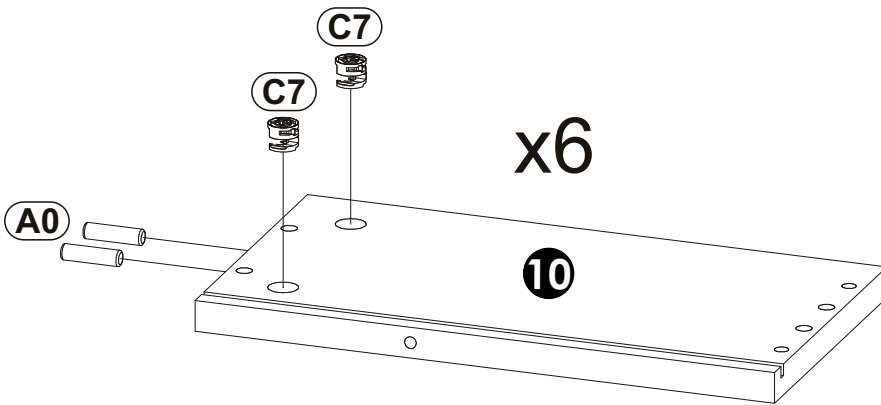
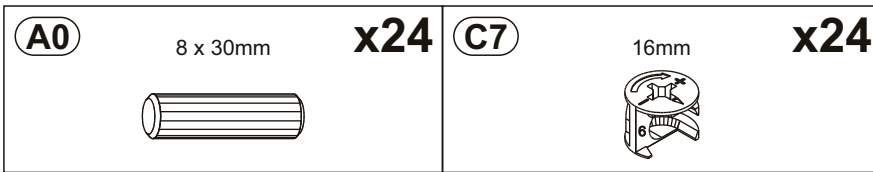
8



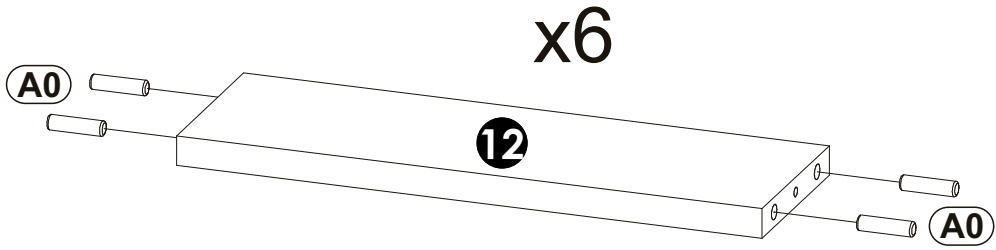
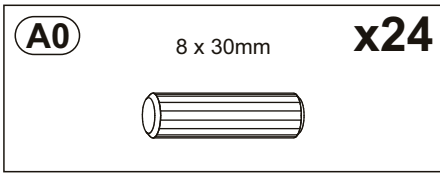
9



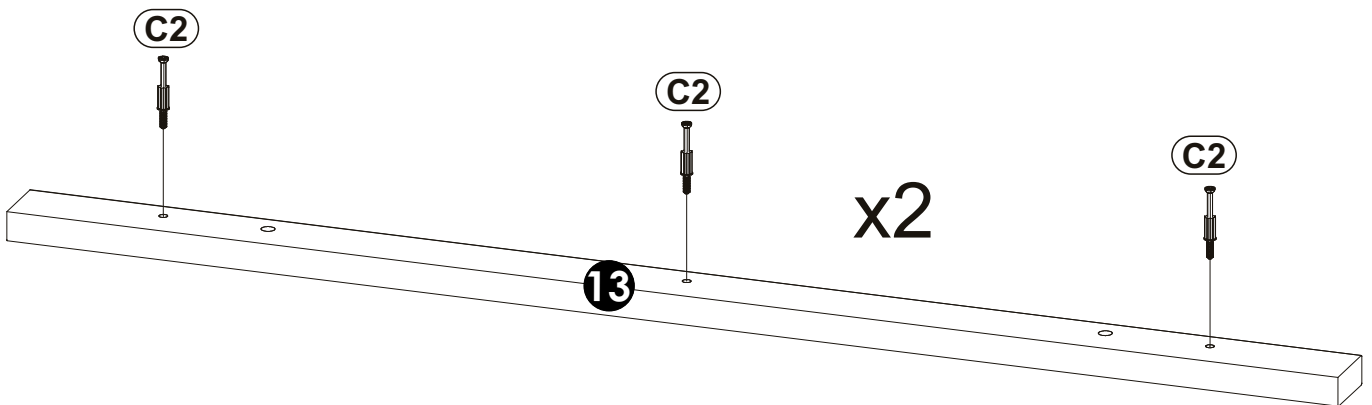
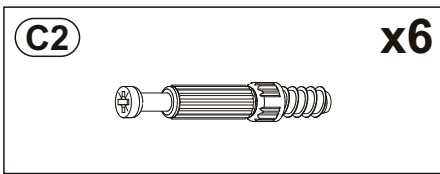
10



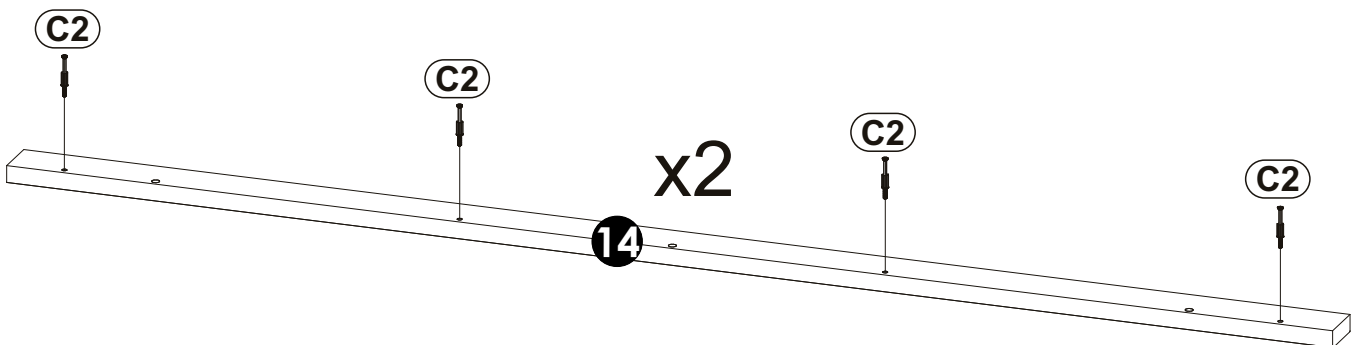
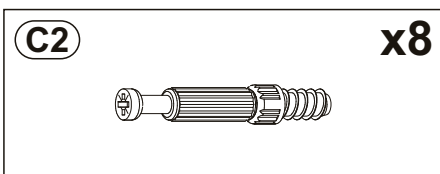
11





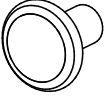
12

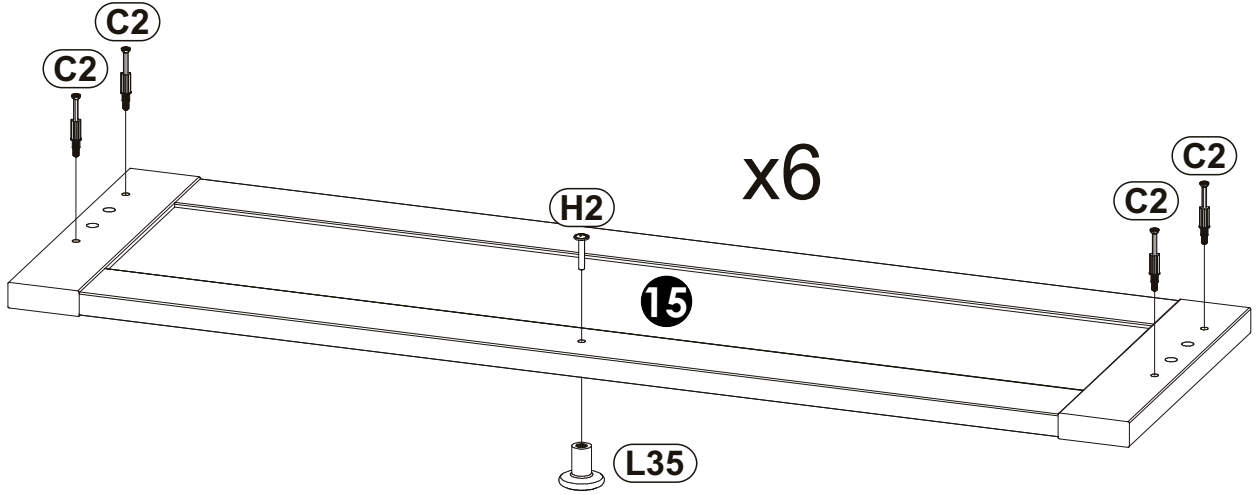


13

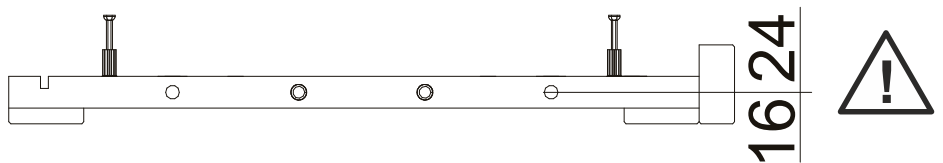
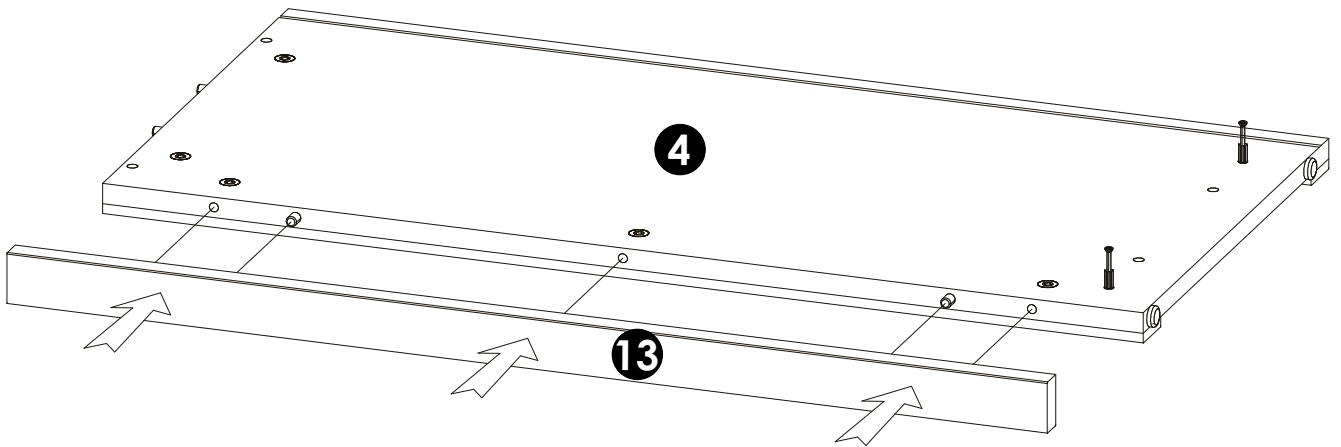
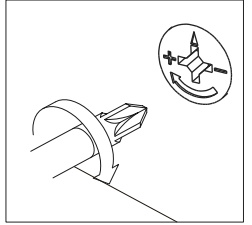


14

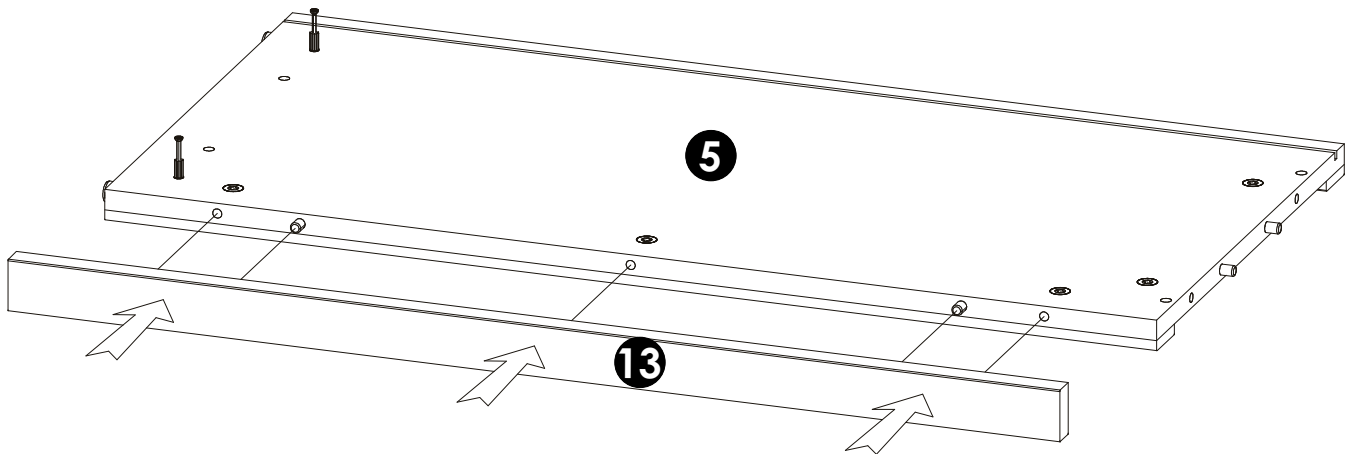
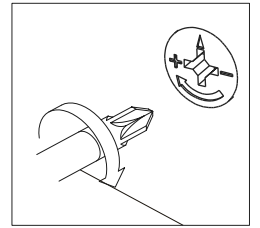
C2 	x24	H2 	4 x 22 mm	x6	L35 	x6
--	------------	--	-----------	-----------	---	-----------



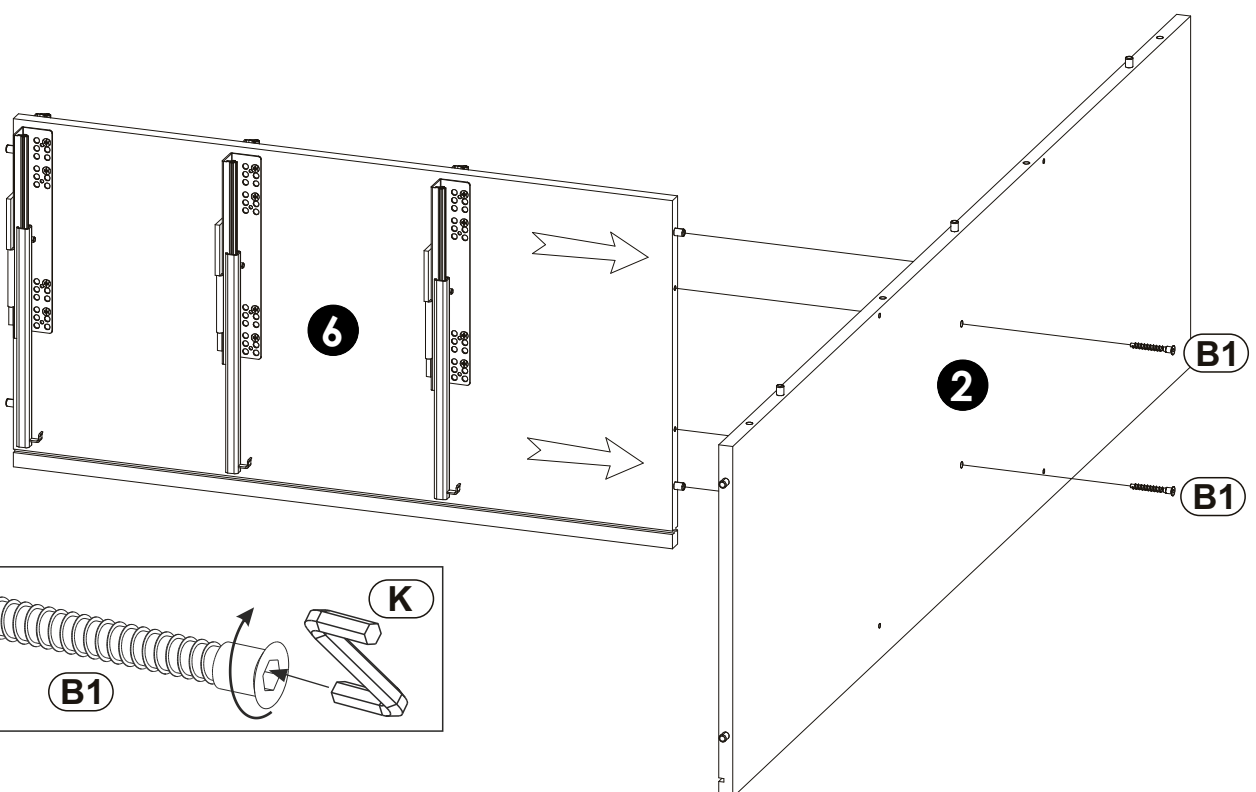
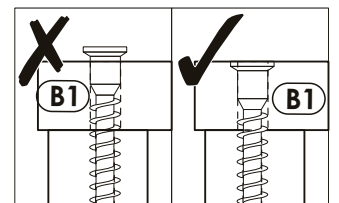
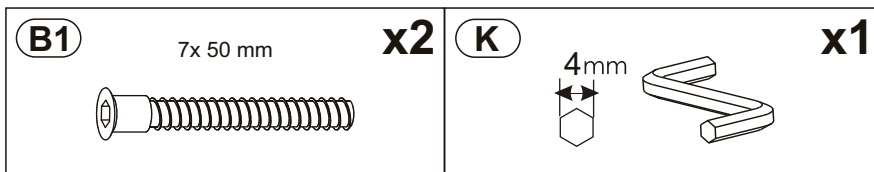
15



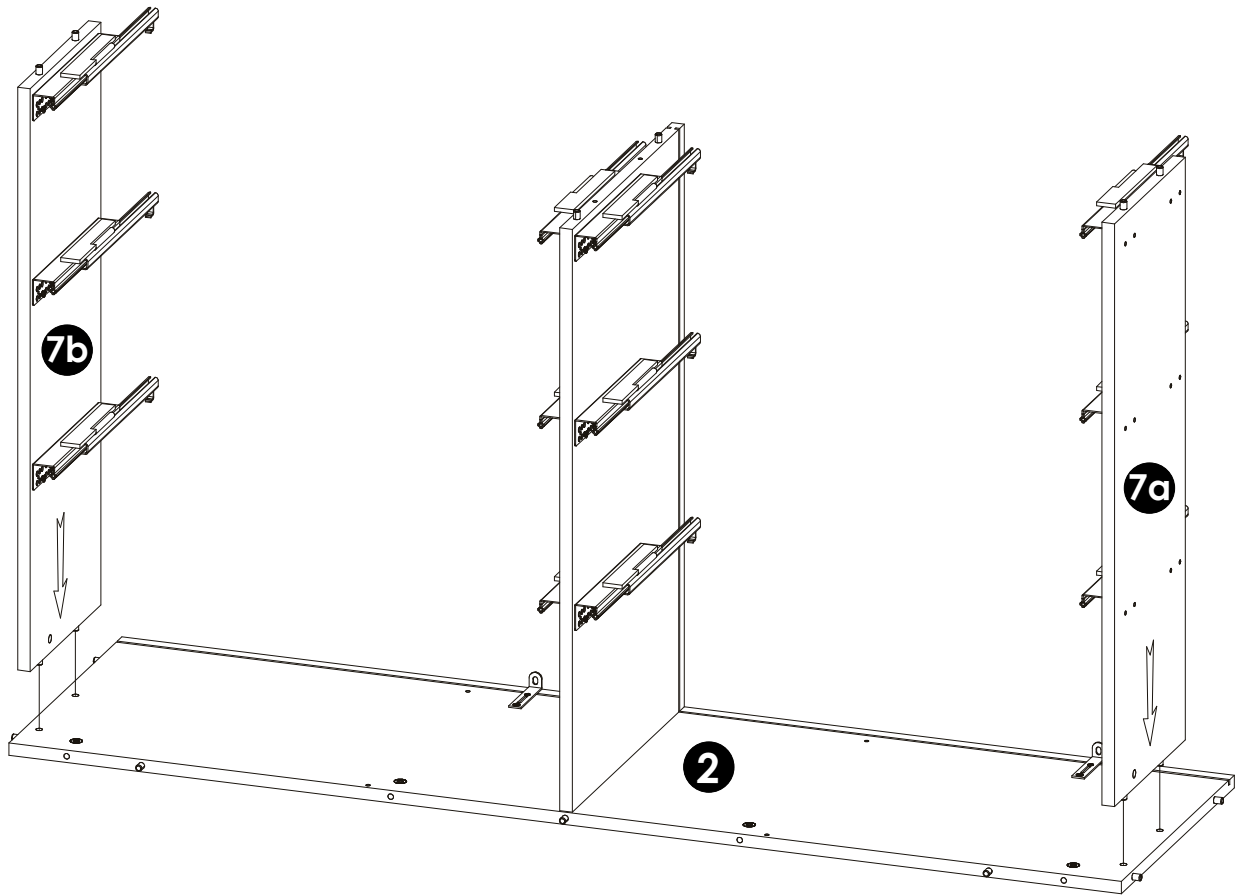
16



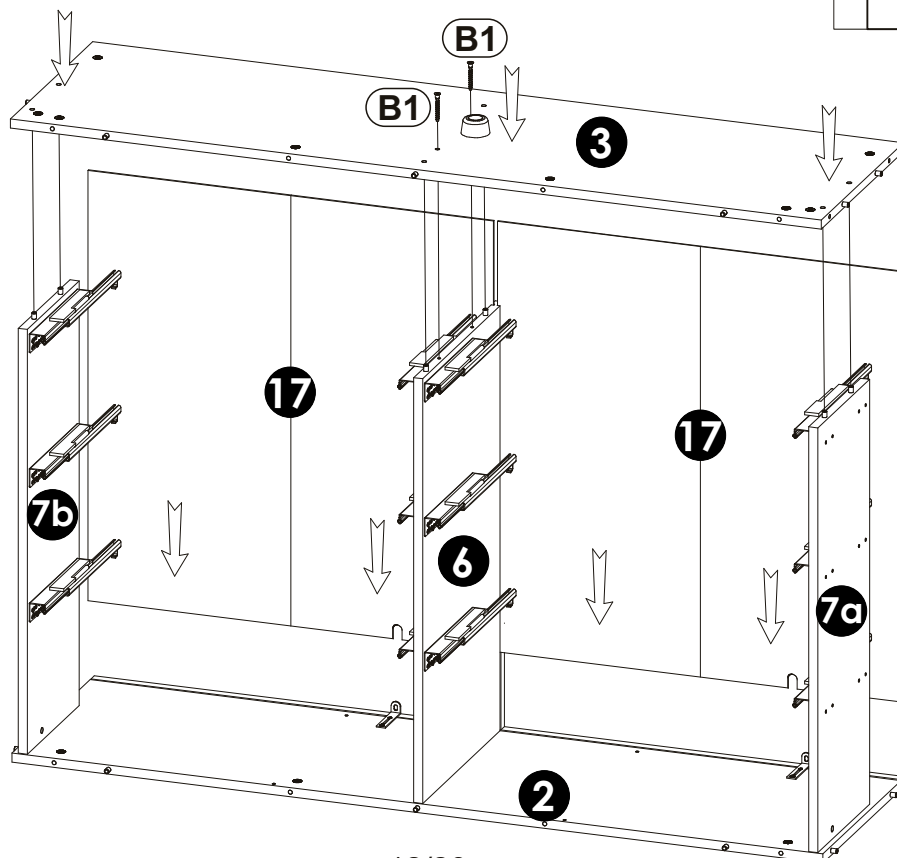
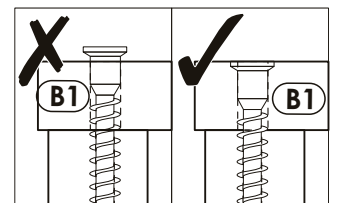
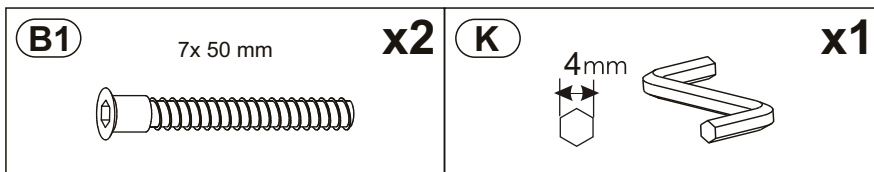
17



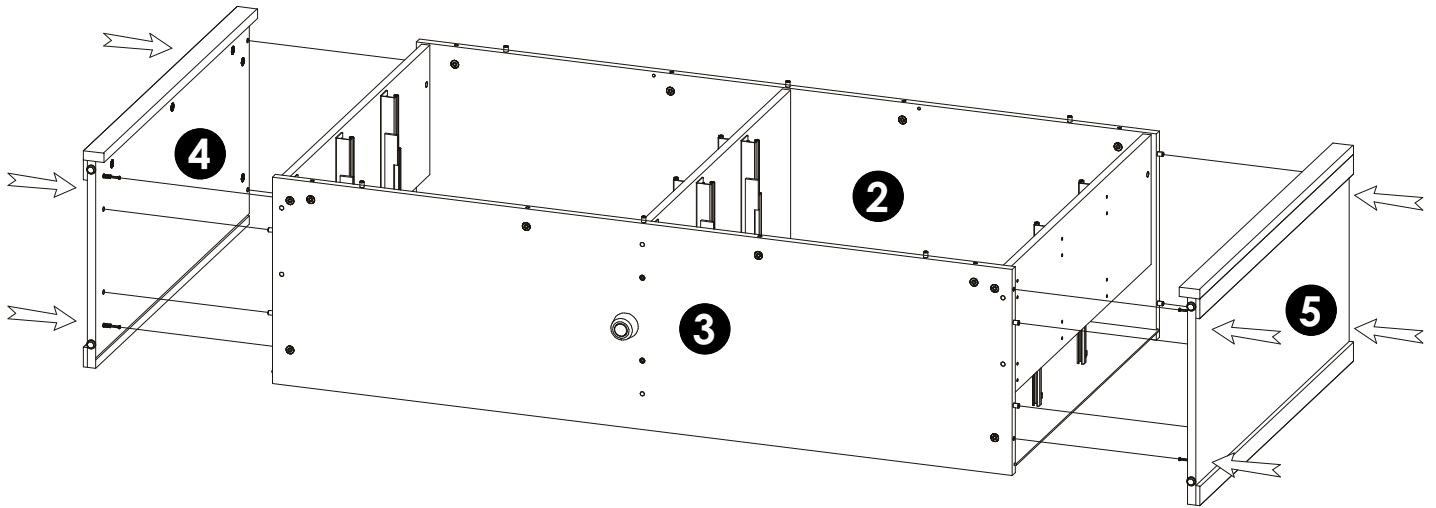
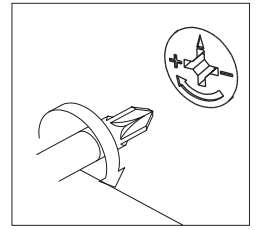
18



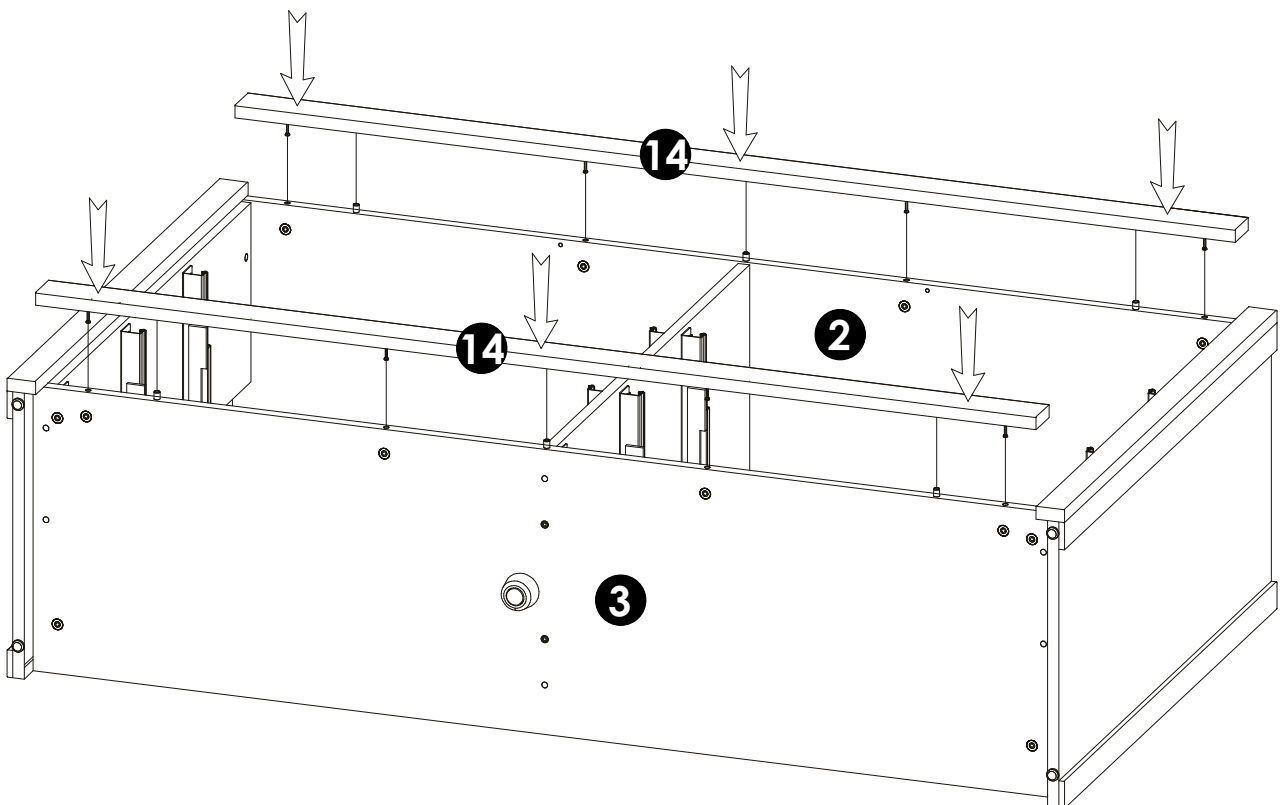
19



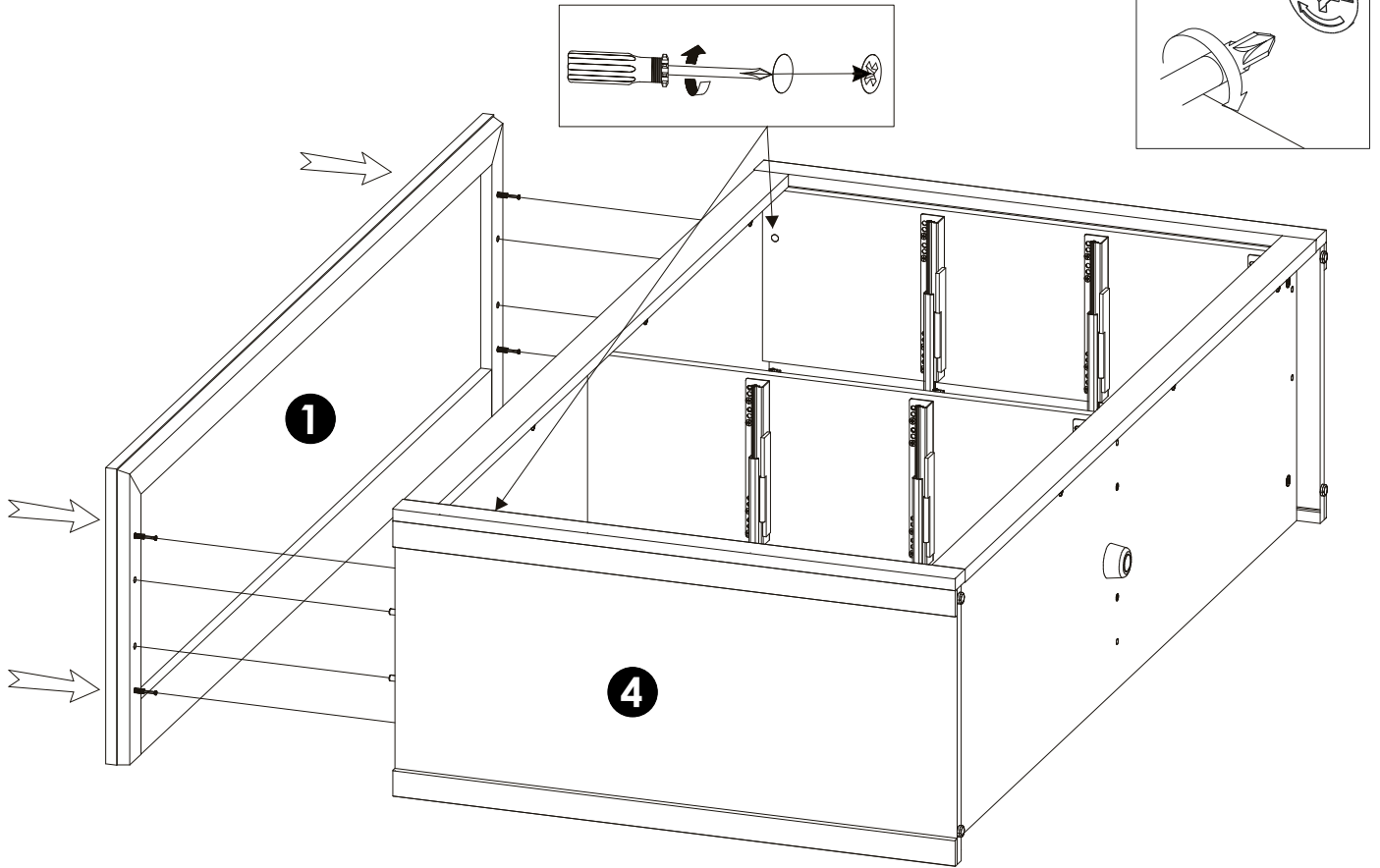
20





21

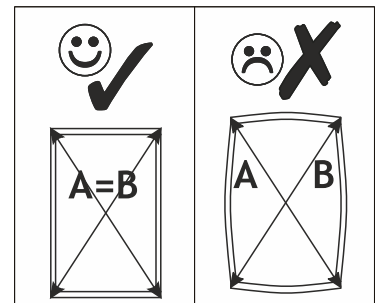
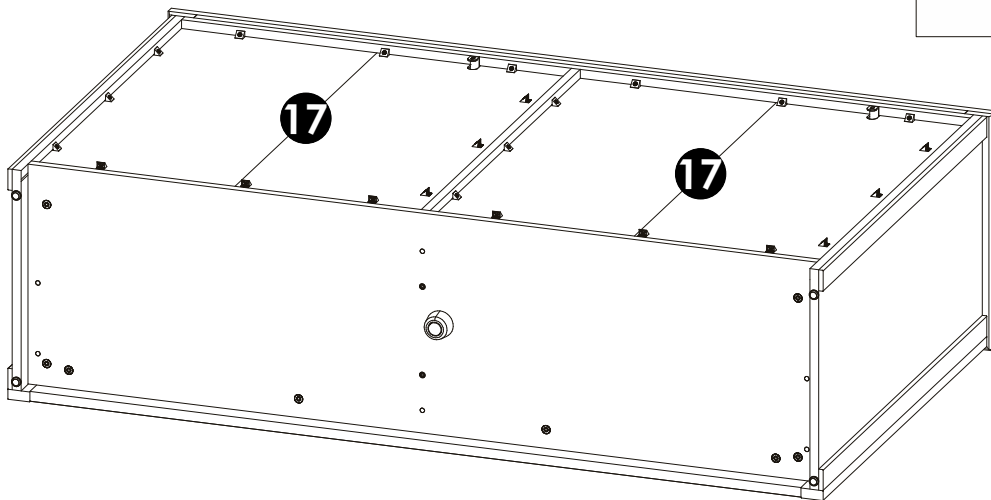
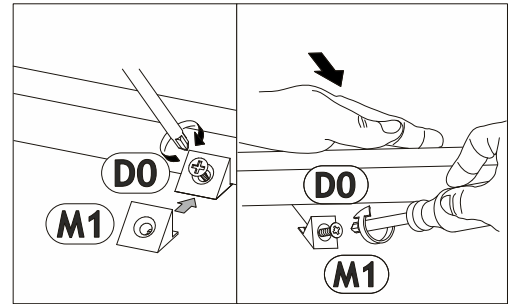
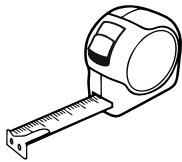


22



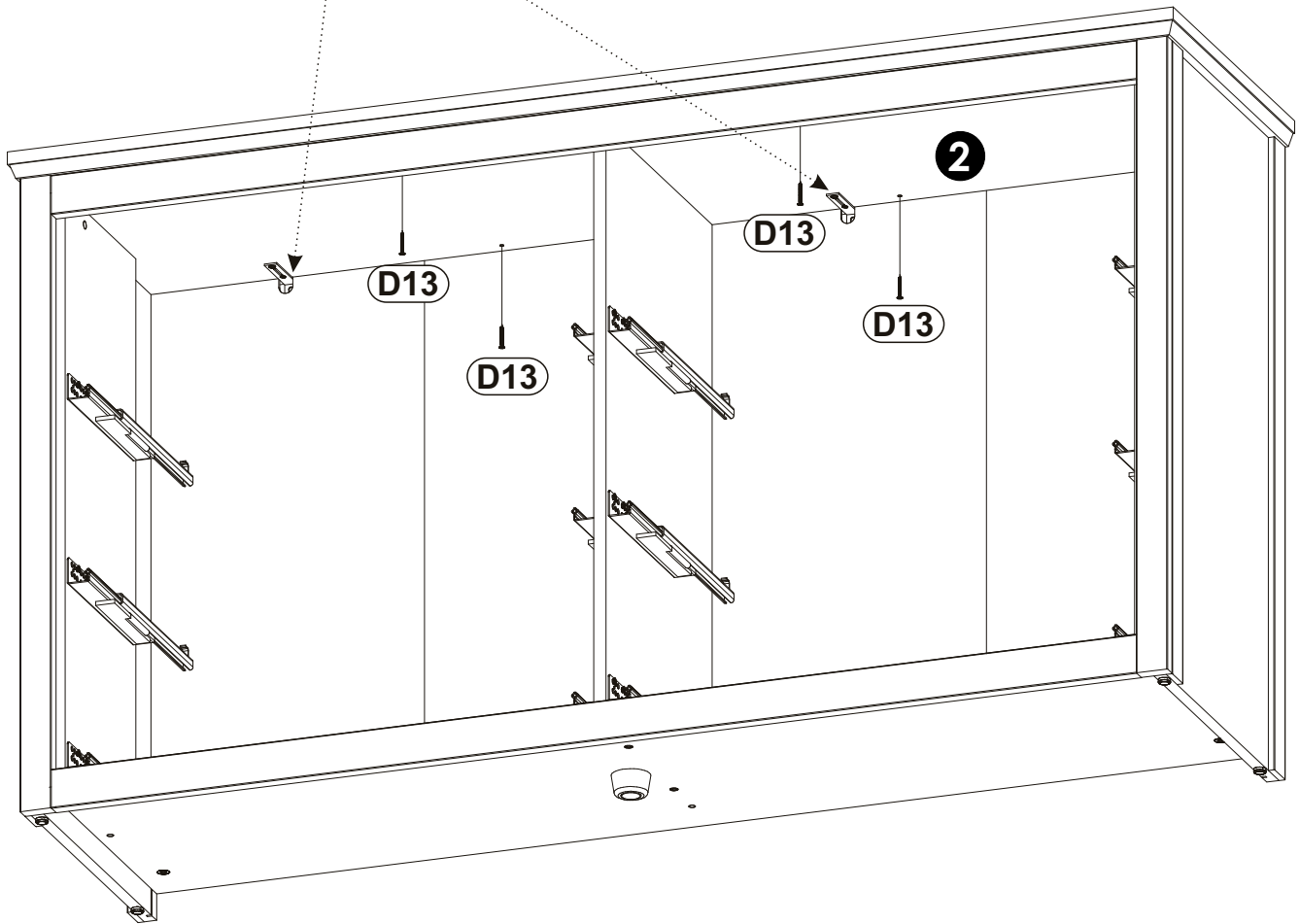
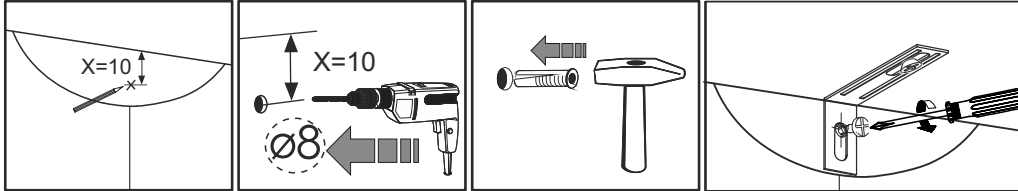
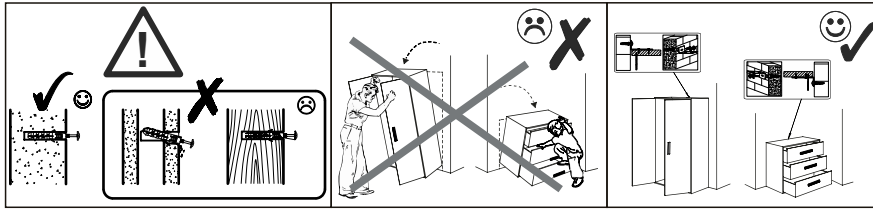
23

D0	3 x 15 mm	x24	M1		x24
					

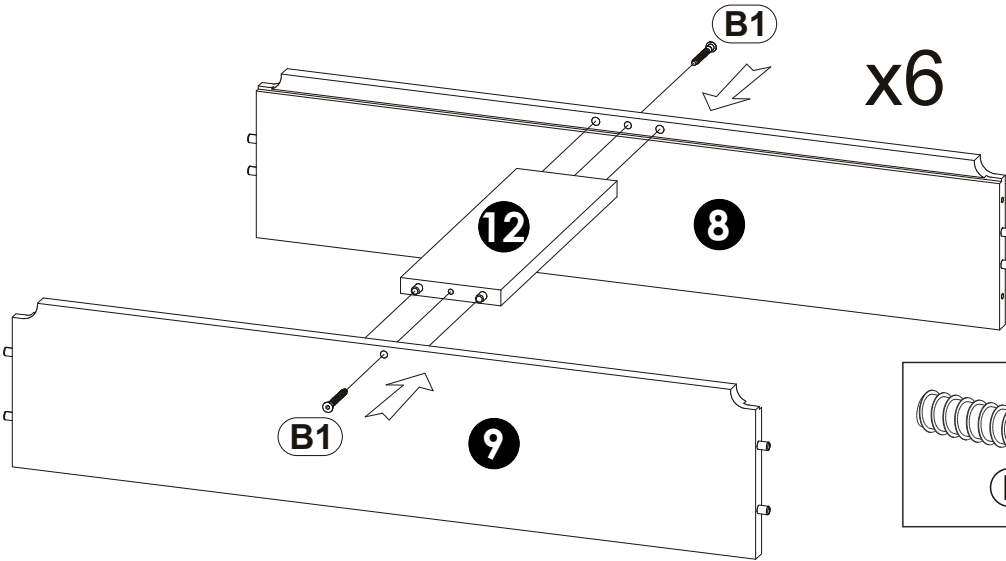
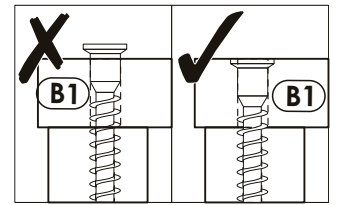
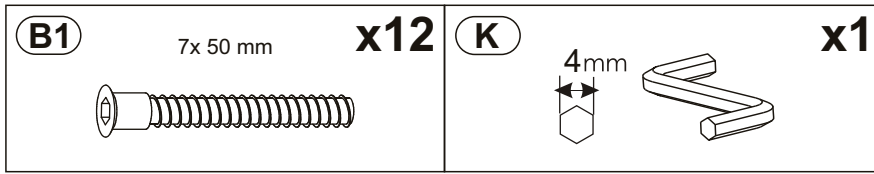


24

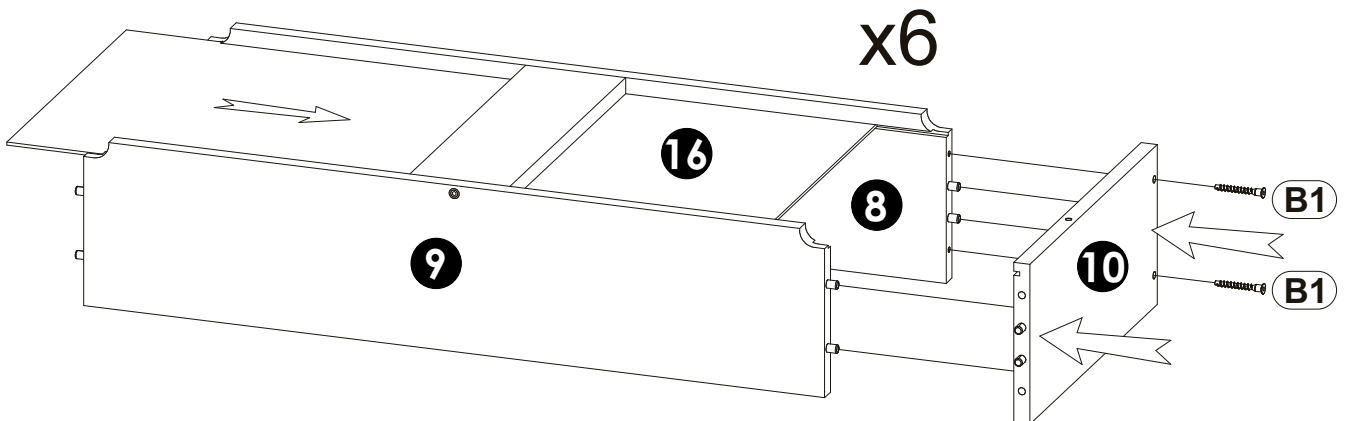
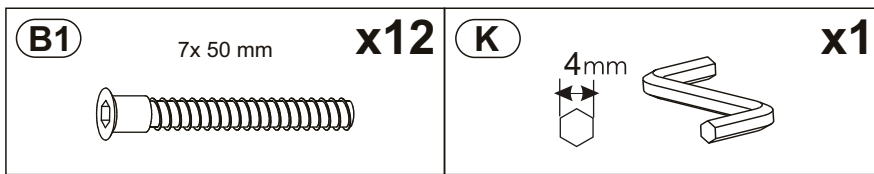
D13	4 x 30 mm	x4	E0	5 x 50 mm 8 x 50 mm	x2
------------	-----------	-----------	-----------	------------------------	-----------



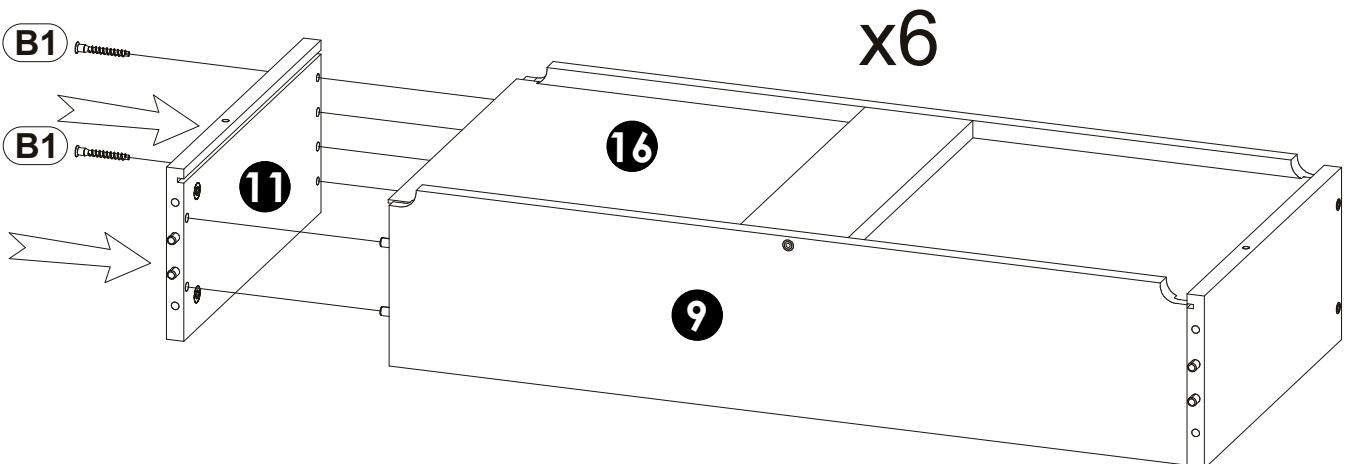
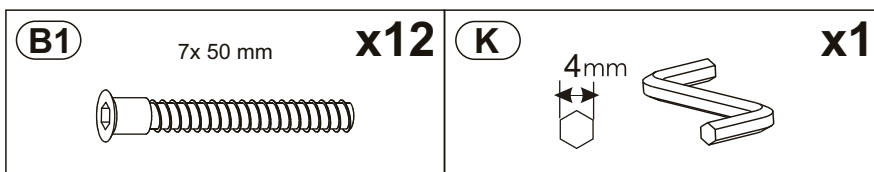
25




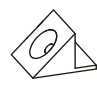
26



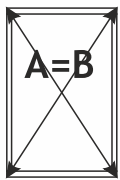
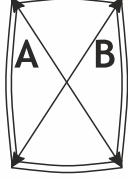


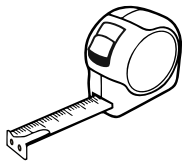
27



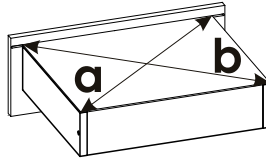
28

D0	3 x 15 mm	x24	M1		x24
					

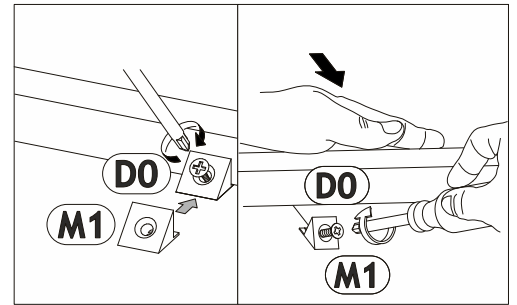
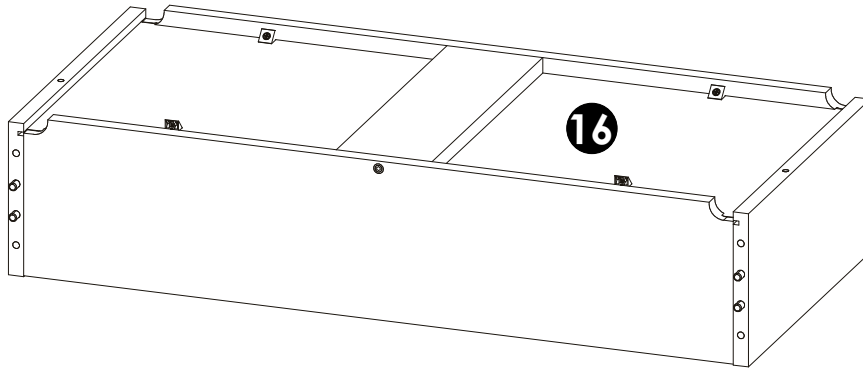
	
	



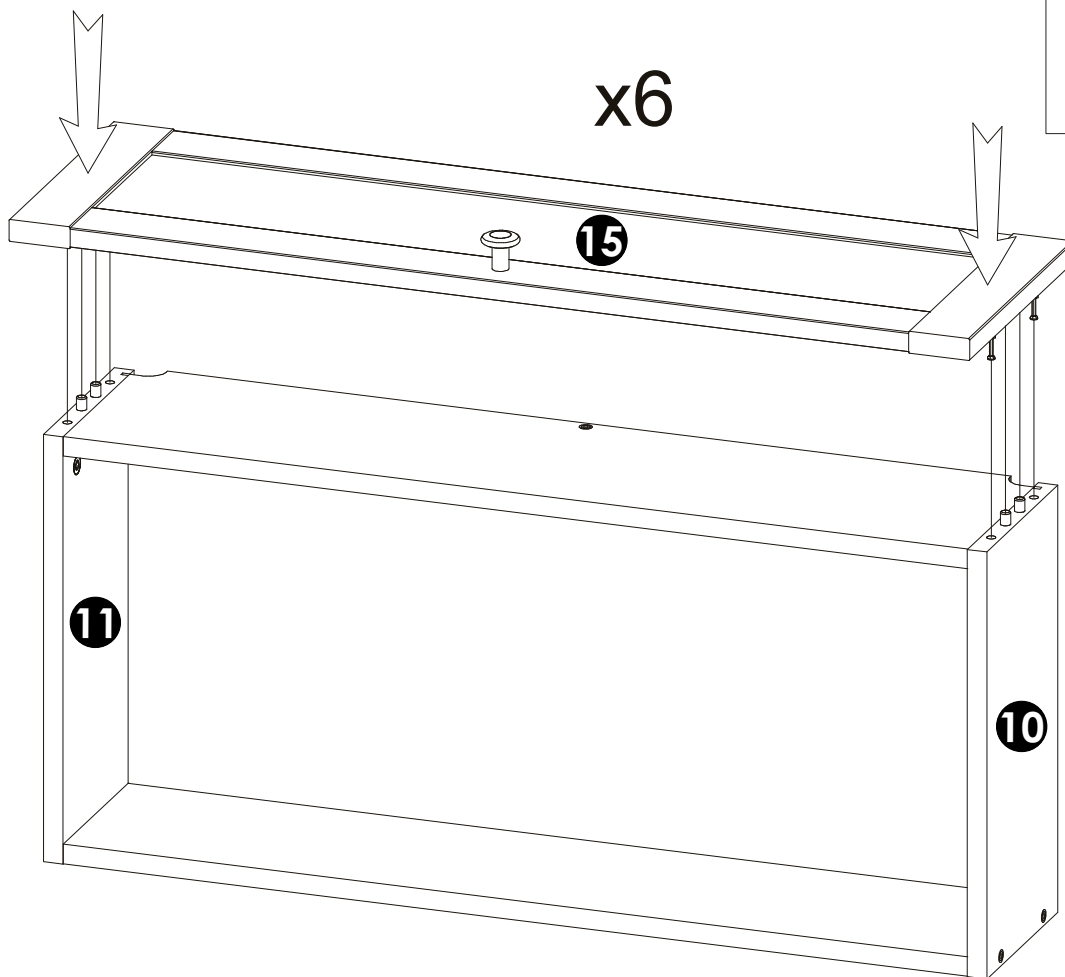
a=b



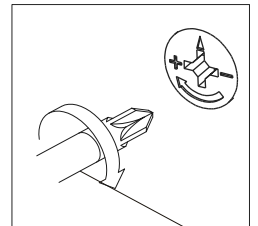
x6

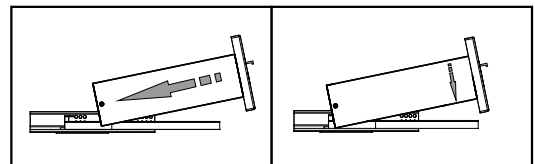
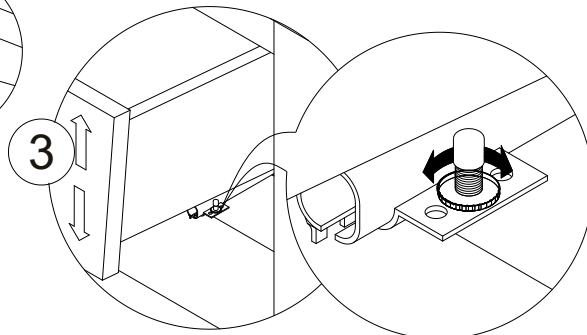
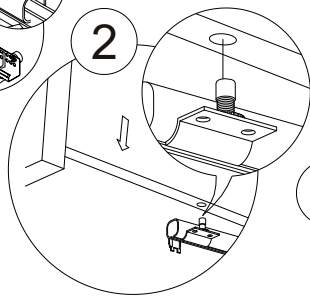
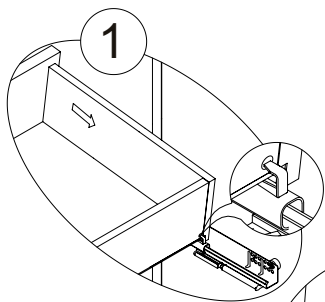
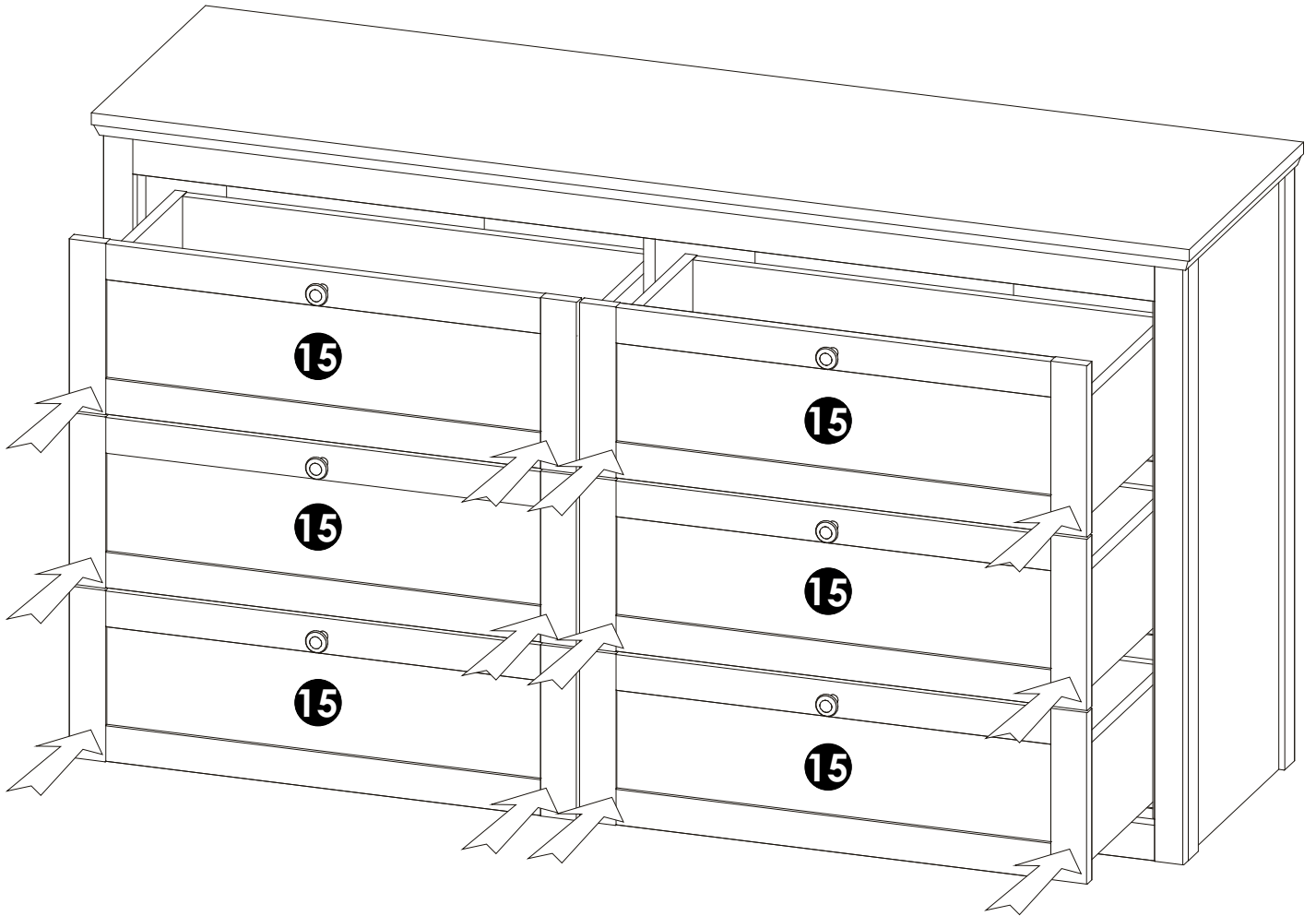


29



x6





31

