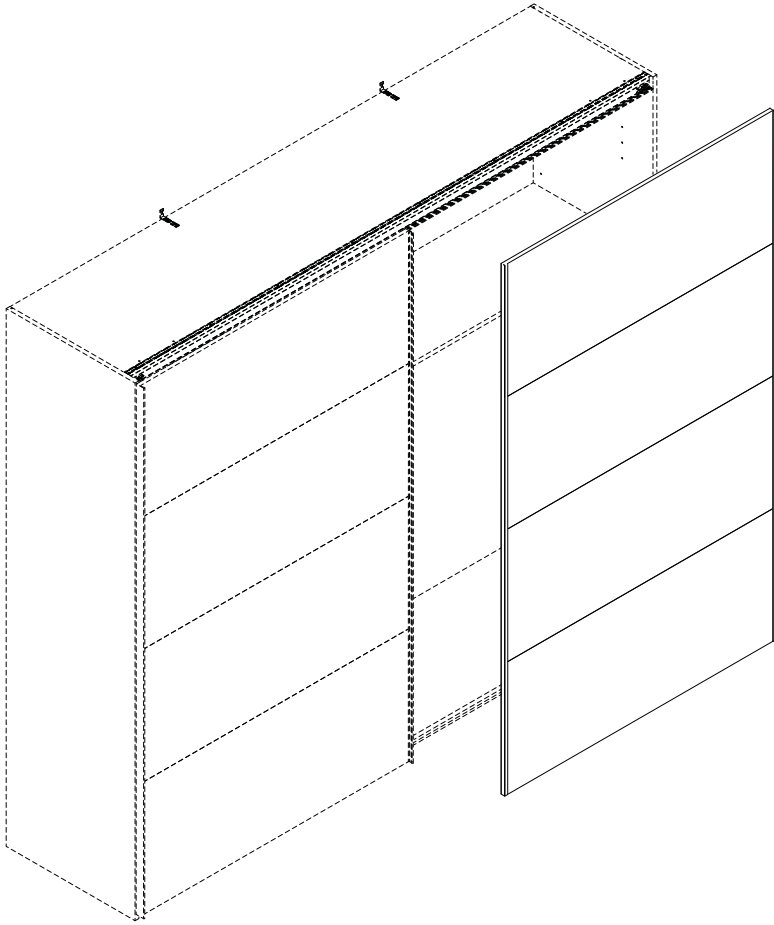
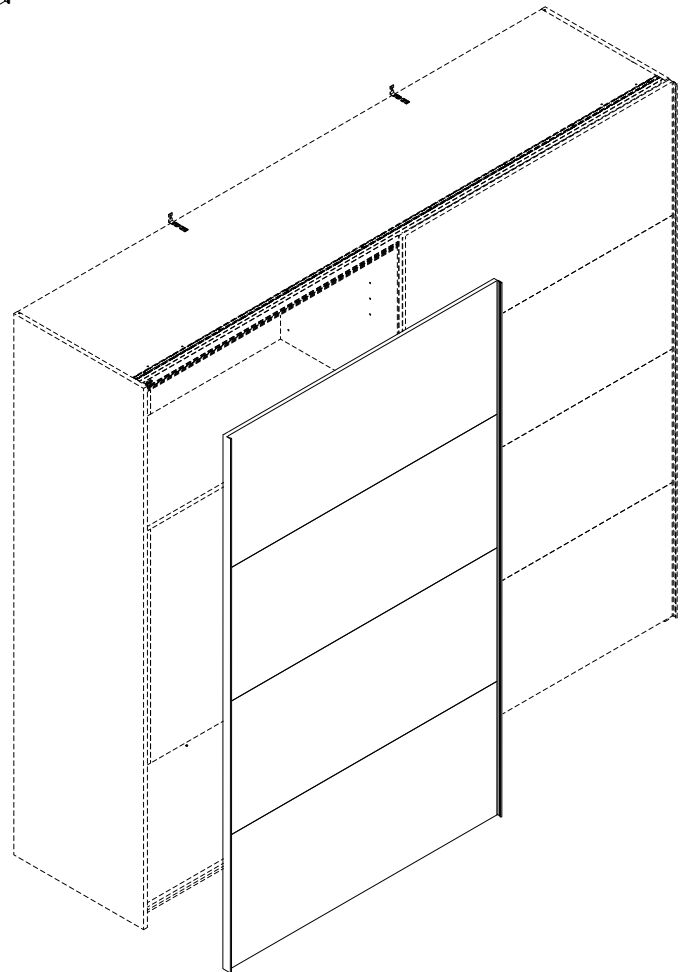
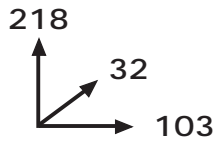


AN9367K30405

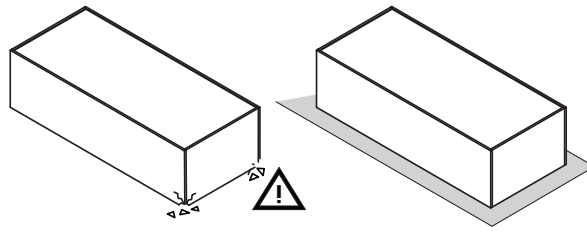
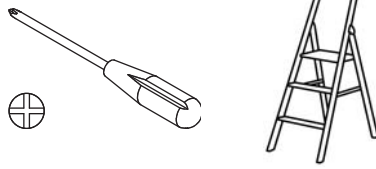
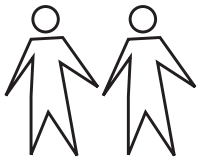


A



B

QF4065



CF9371K14005

BU3136

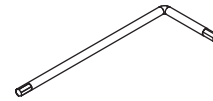


V102
x24(+24)



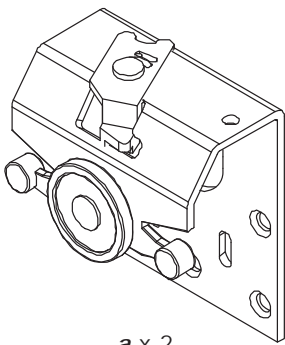
V141
x24(+24)

BU3134

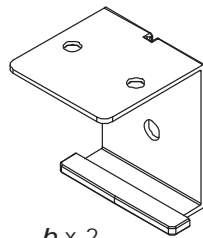


H138
x1

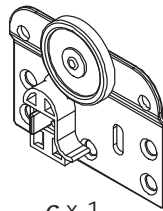
CF0162



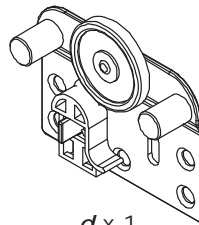
a x 2
80x48x92mm



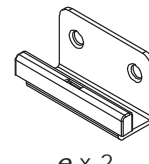
b x 2
58x63x51mm



c x 1
80x60x8,5mm



d x 1
80x60x8,5mm

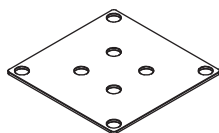


e x 2
57x20x31mm



f x 24
Ø6,3x11mm

CF0123



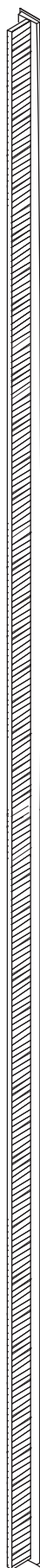
W37
x6(+6)



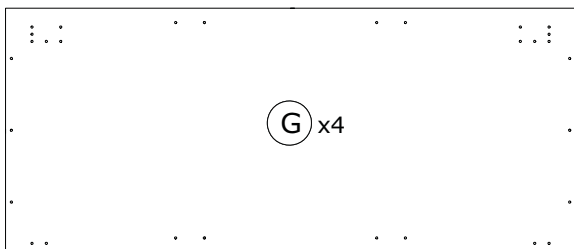
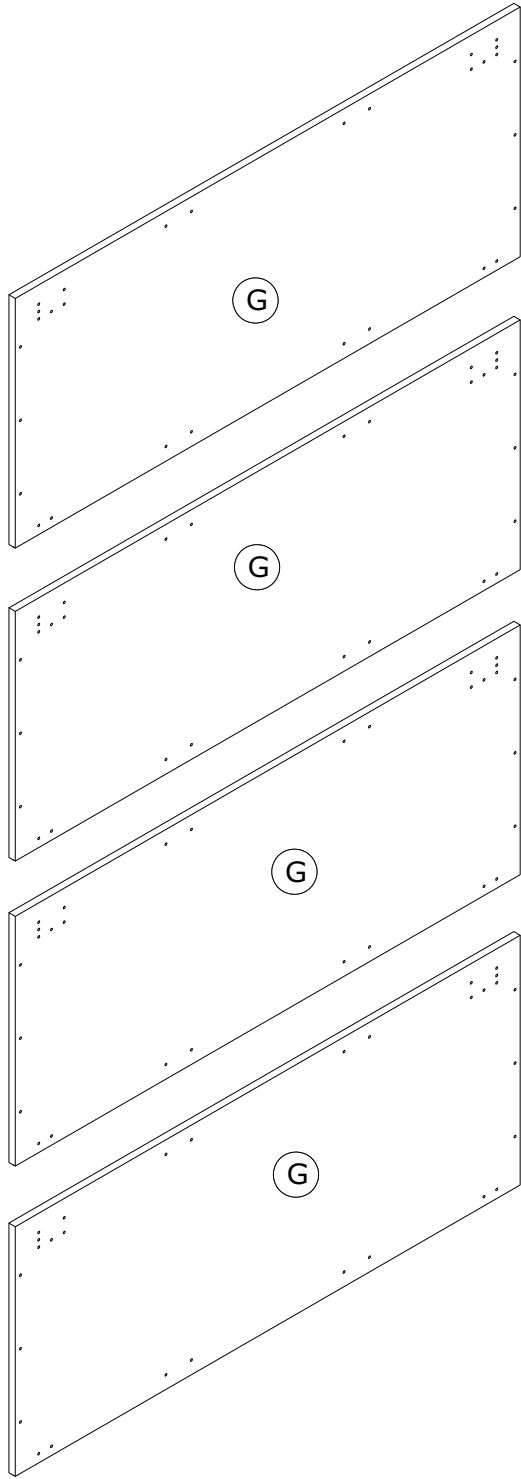
M130x3
L. 2175mm



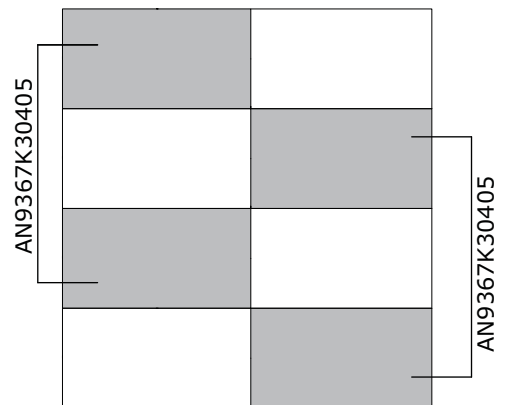
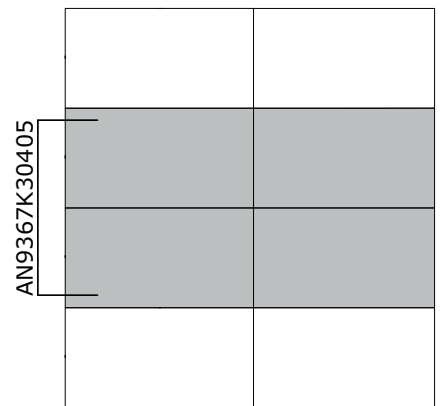
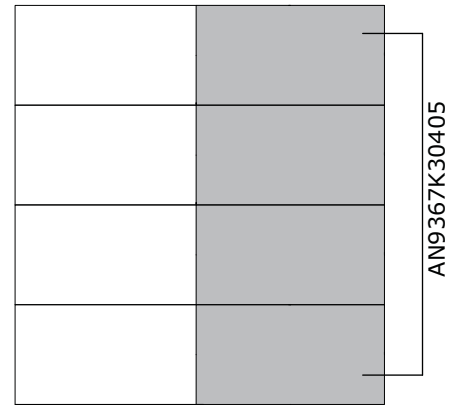
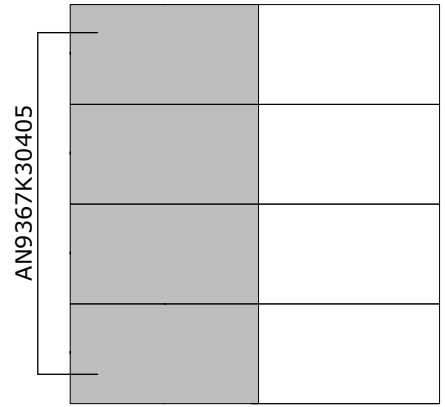
M112x1
L. 2175mm



H203x1
L. 2170mm

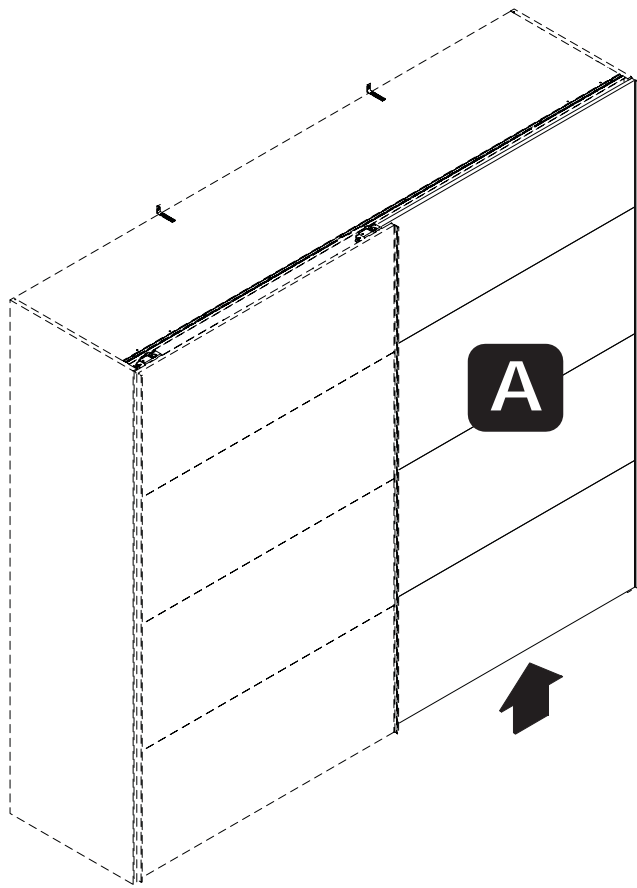
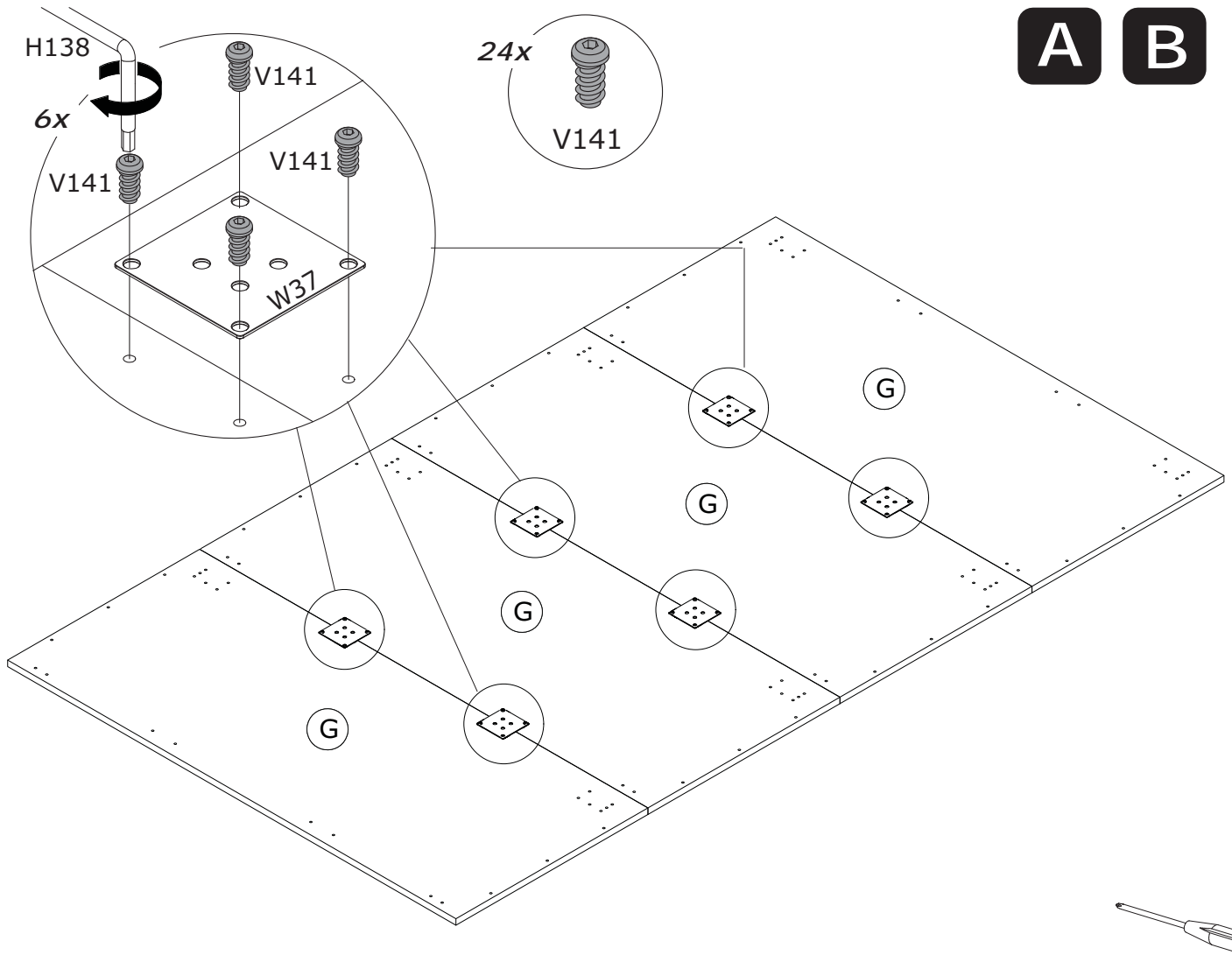


AN2190
1028x544x16mm

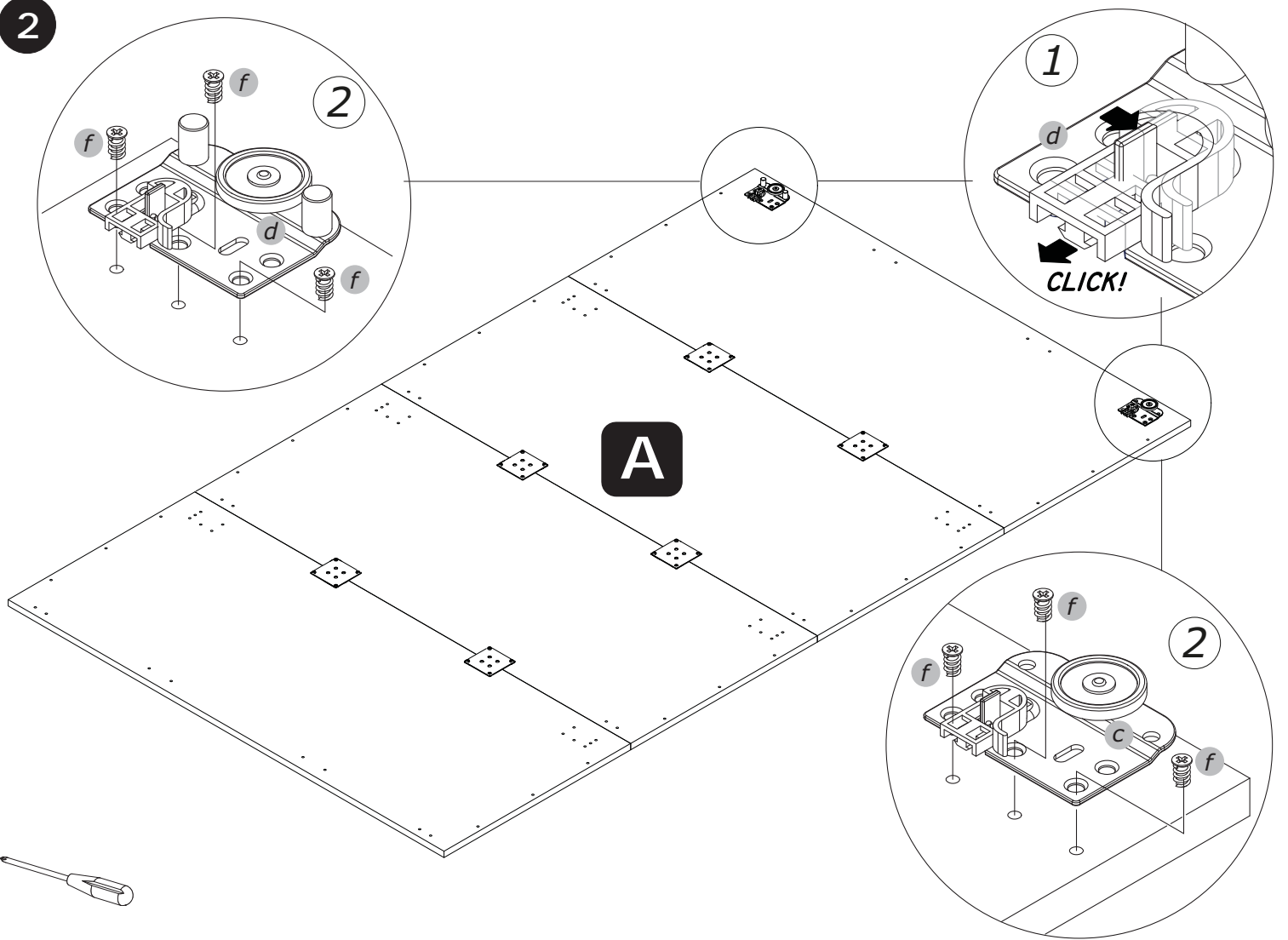


1

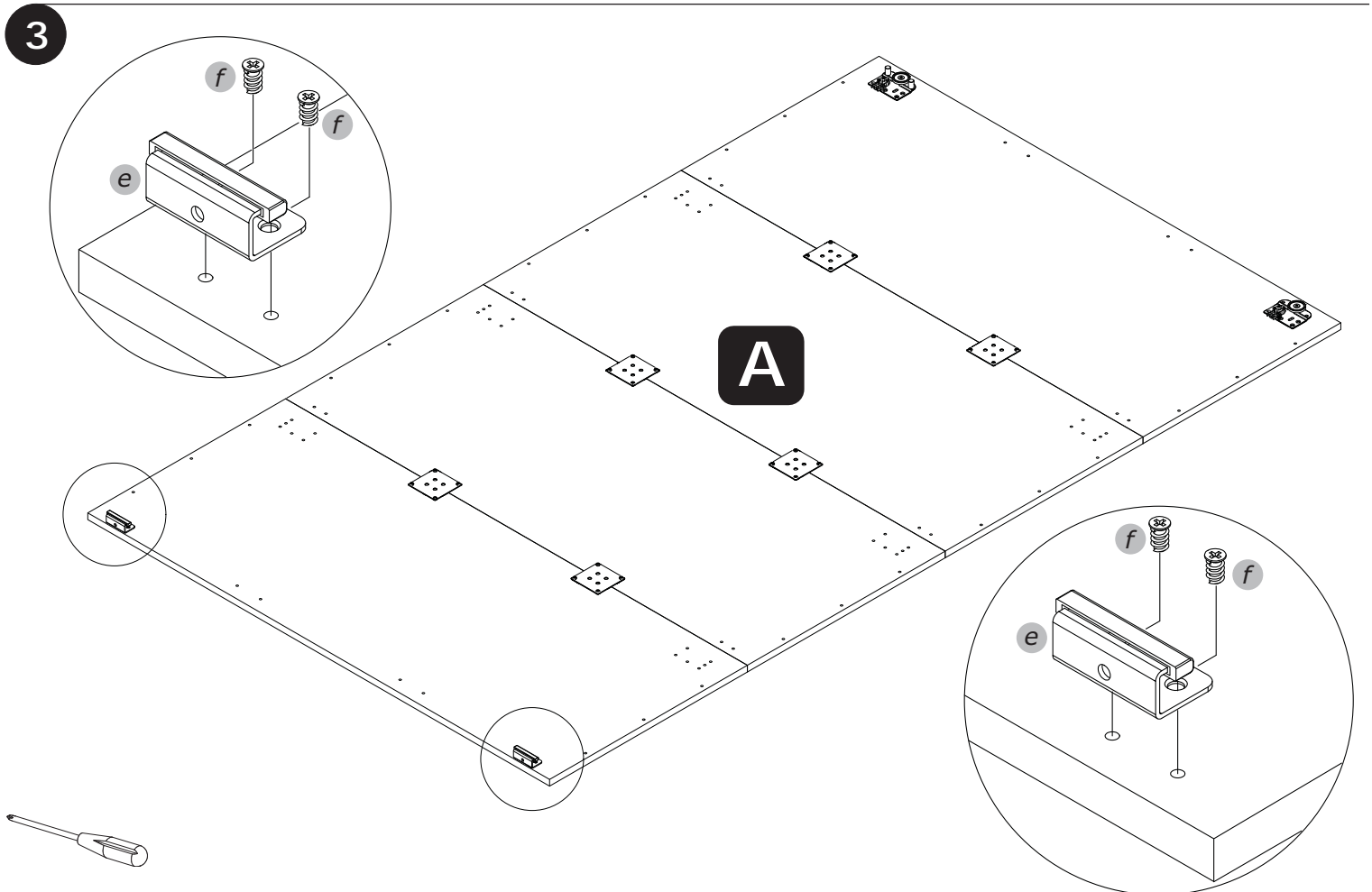
A **B**



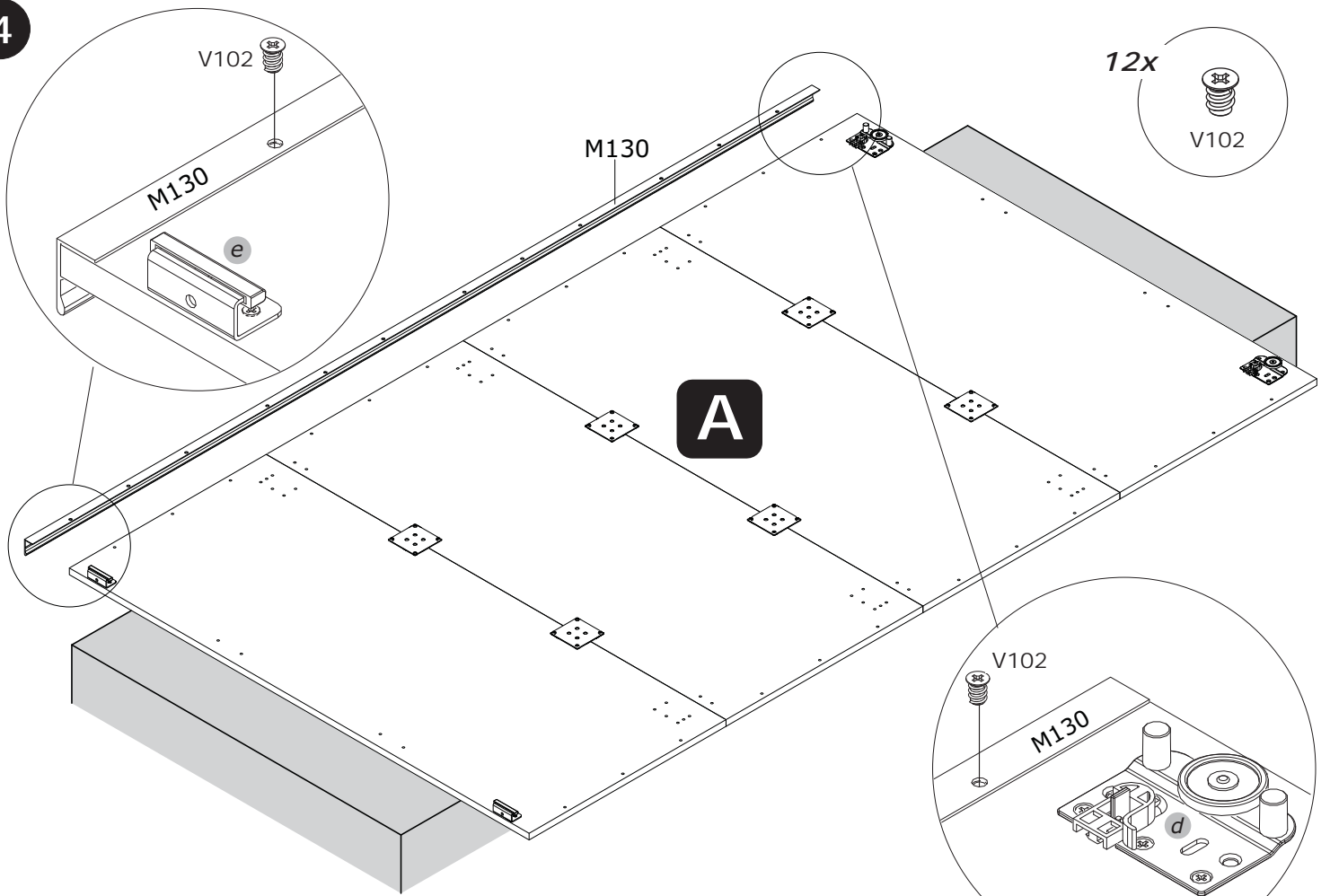
2



3

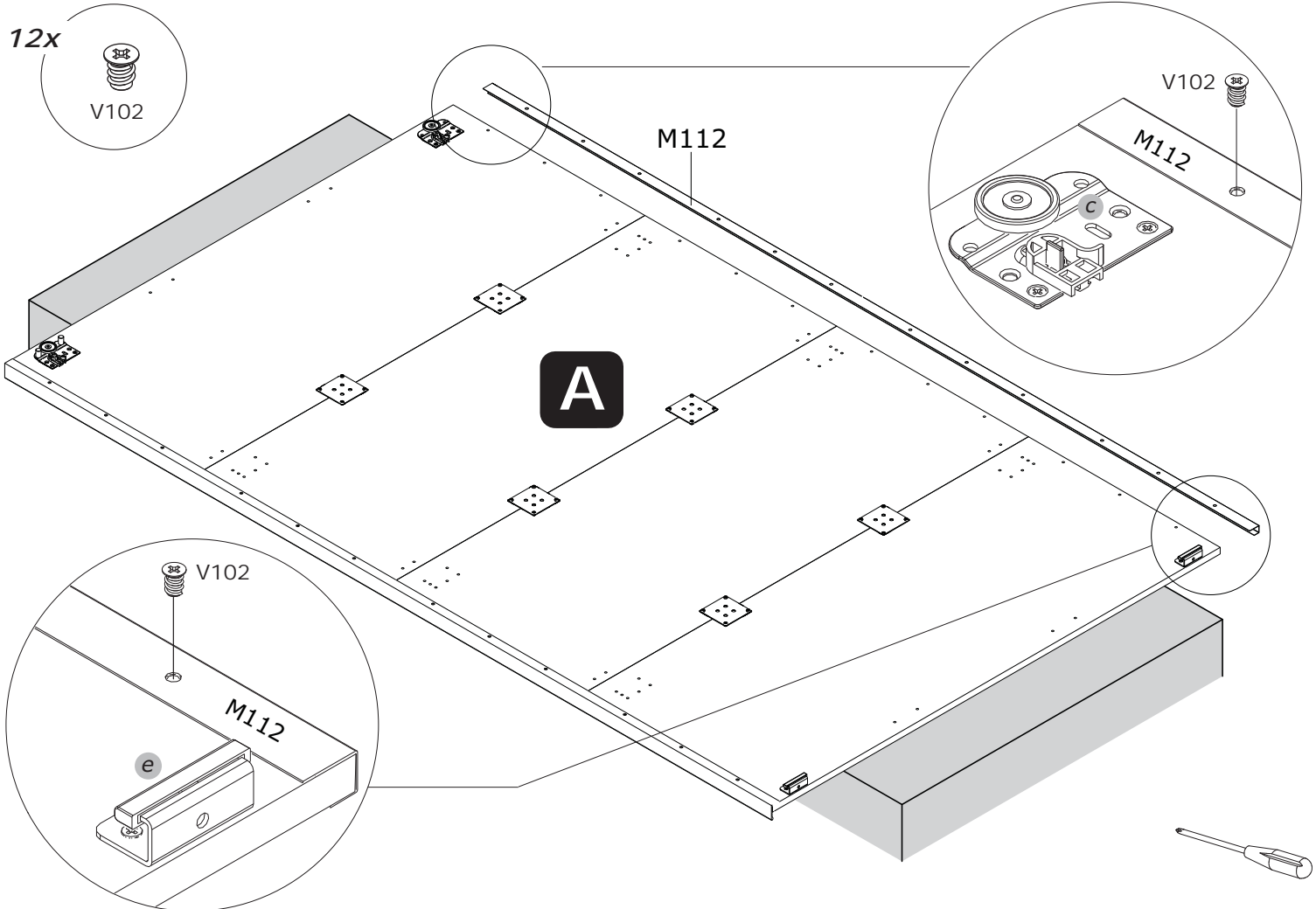


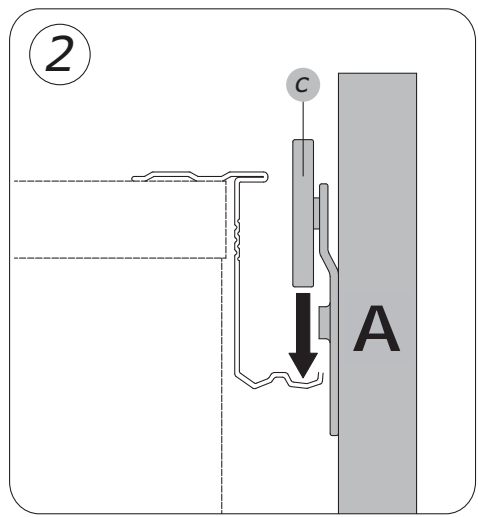
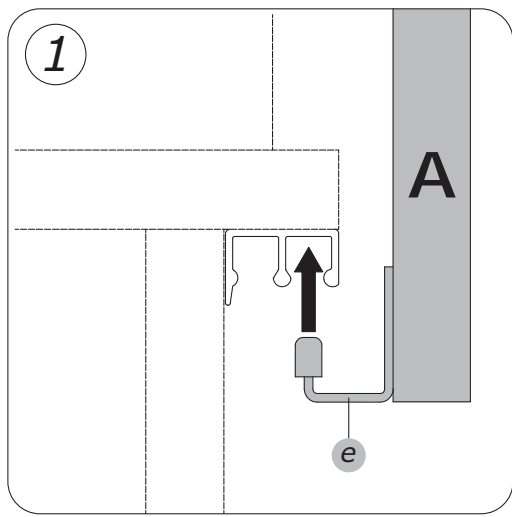
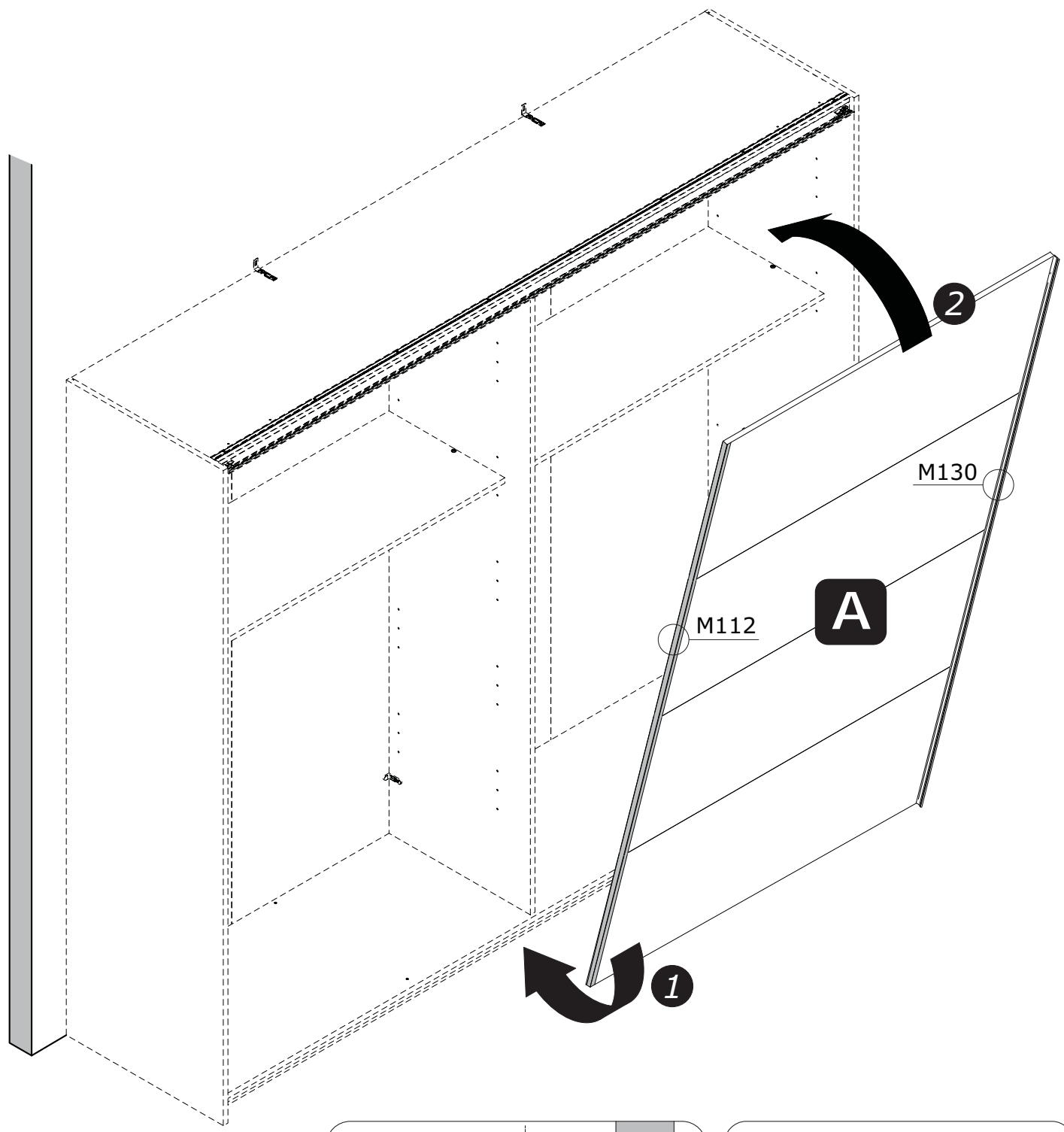
4



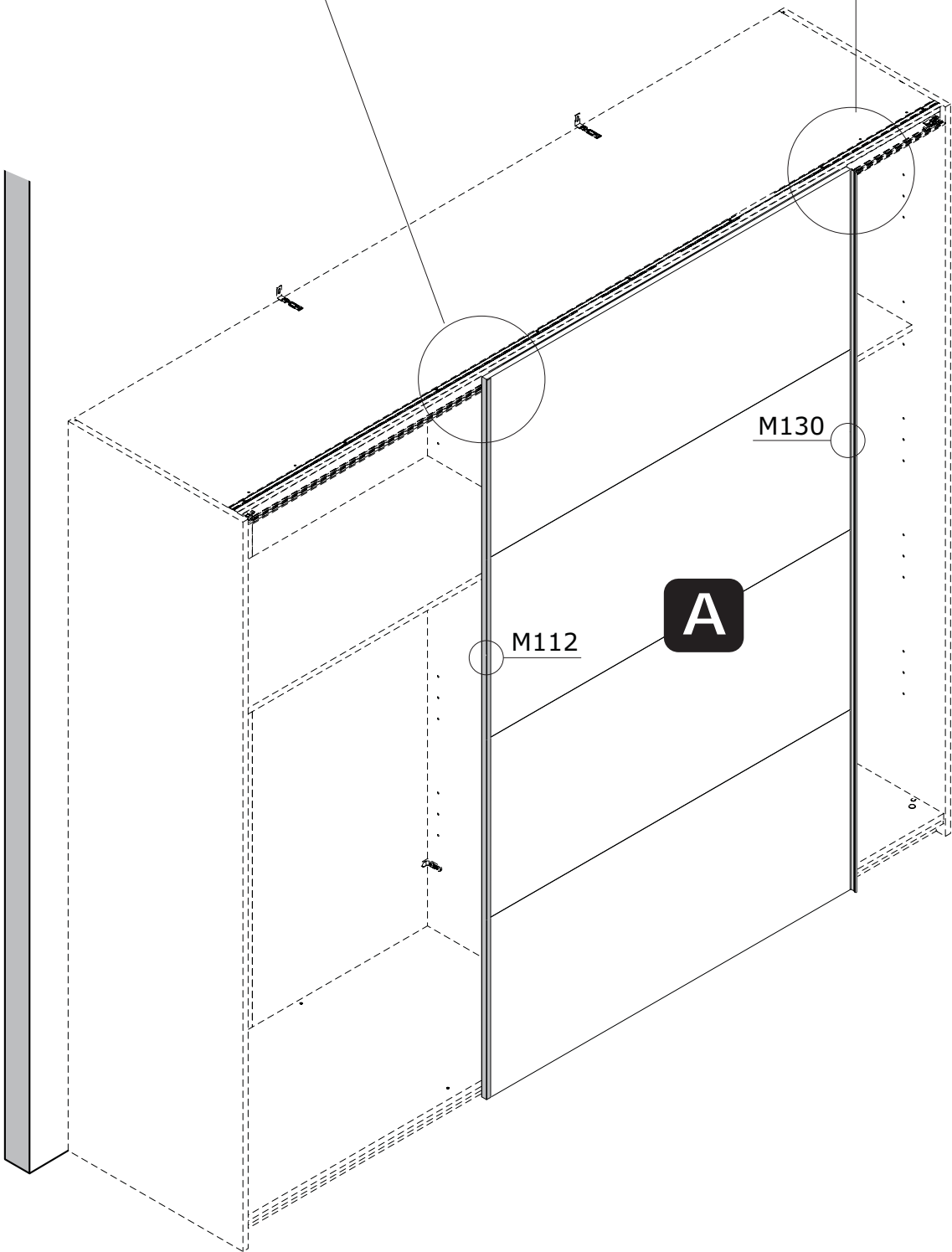
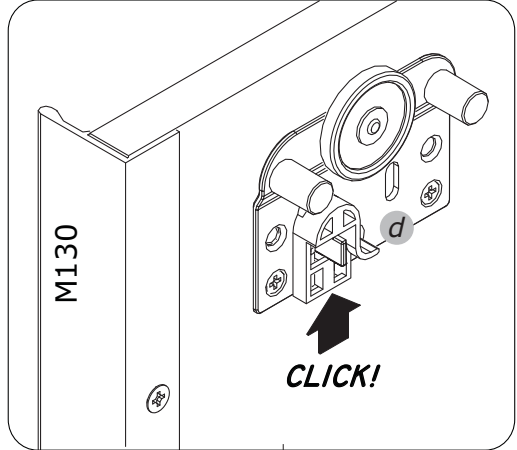
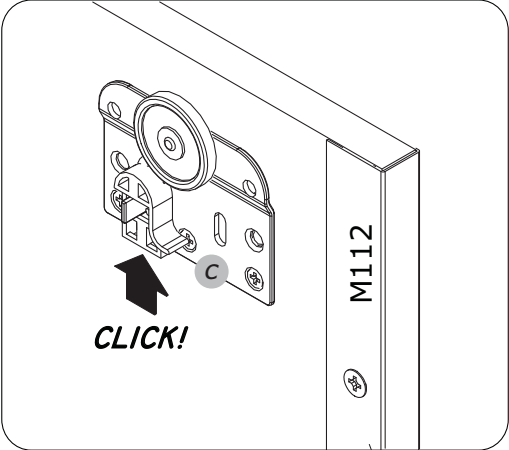
12x

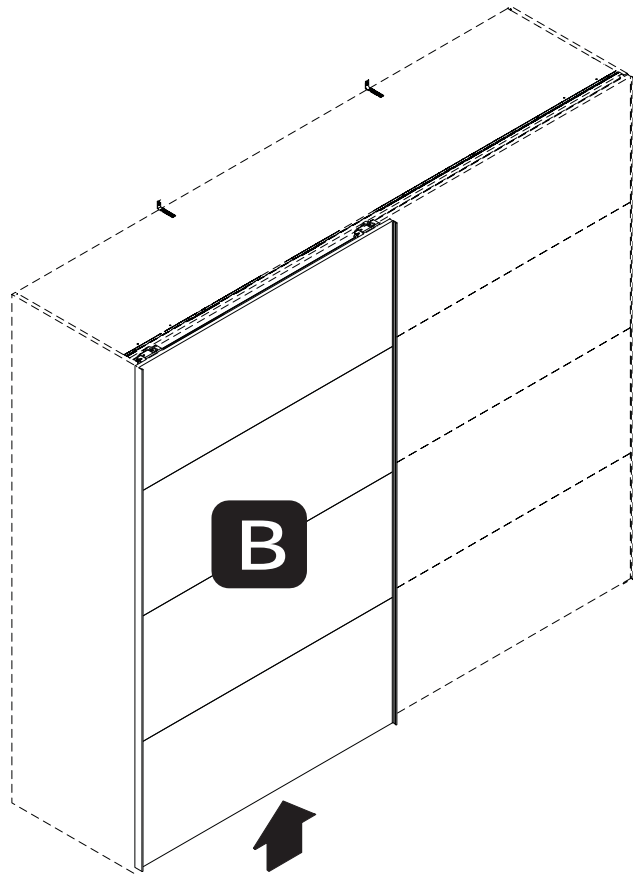
V102



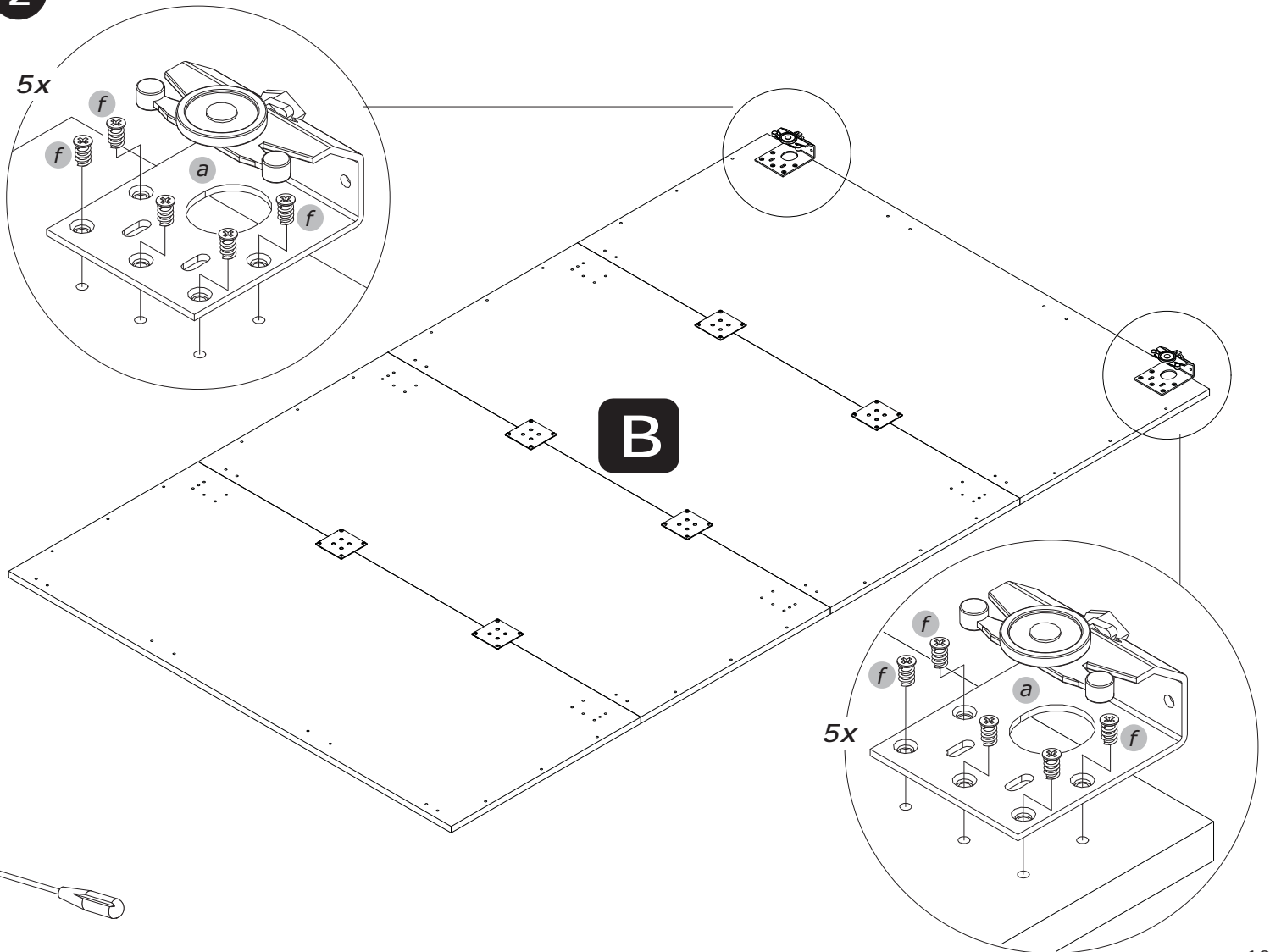


6

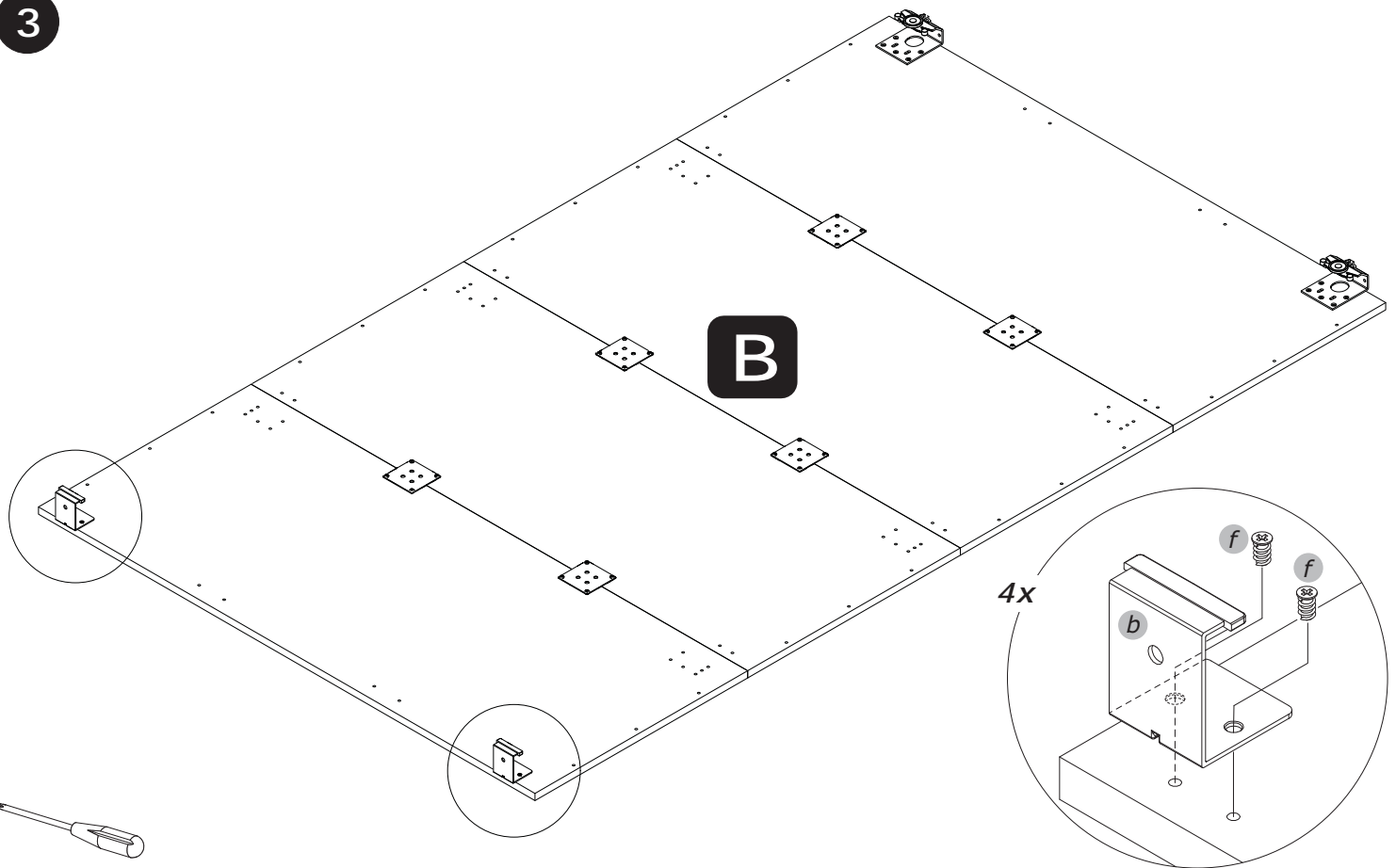




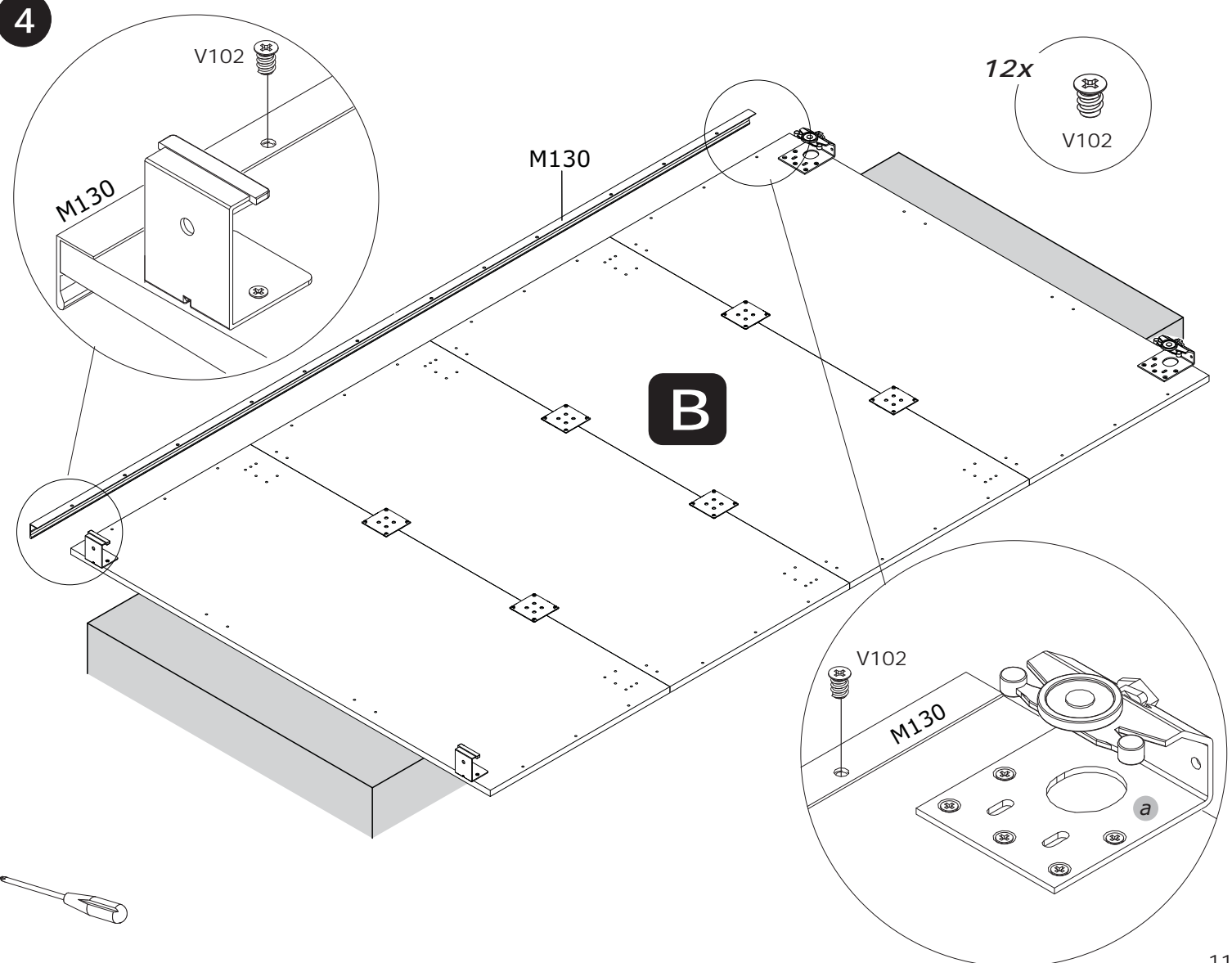
2



3

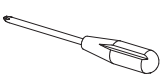
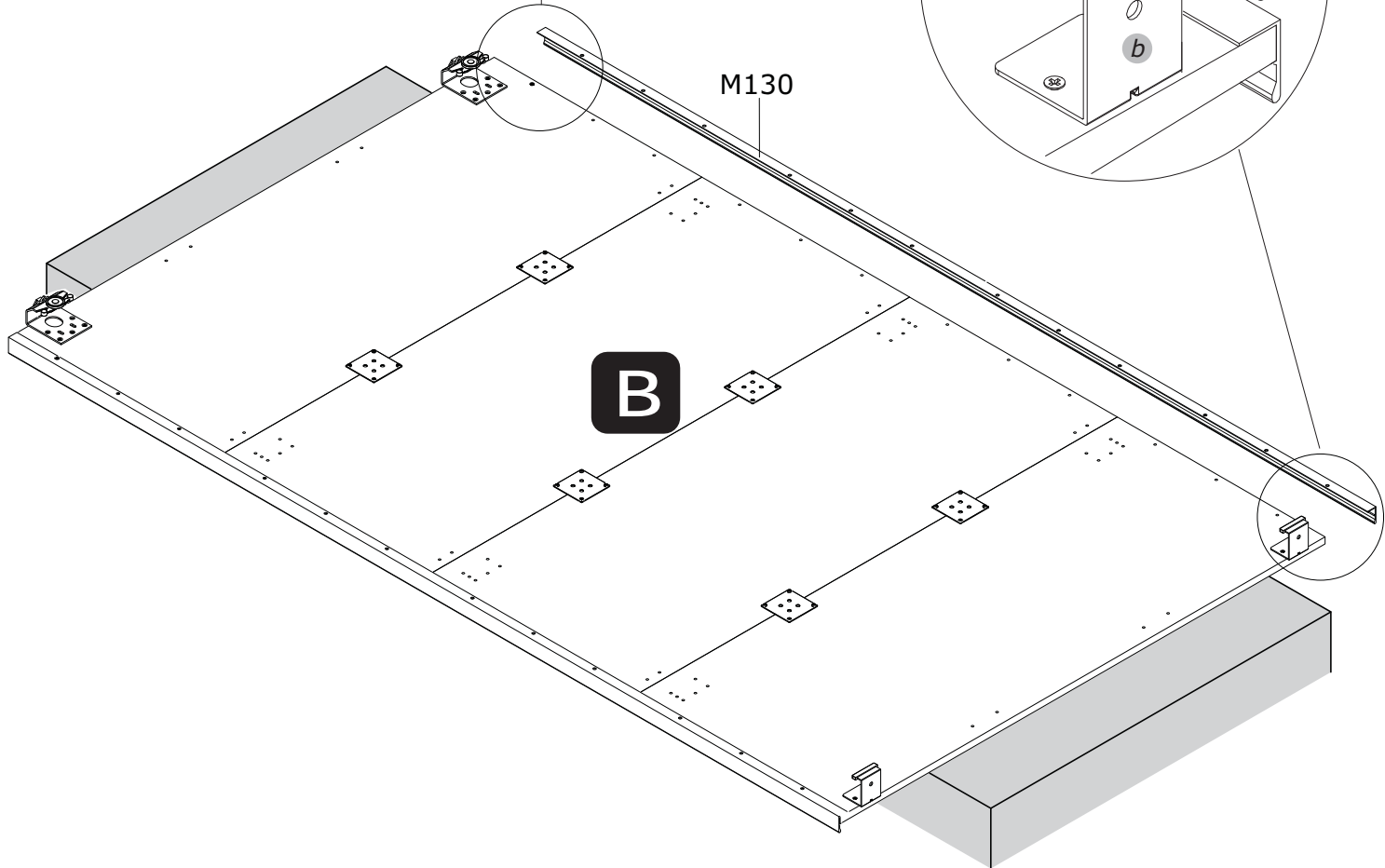
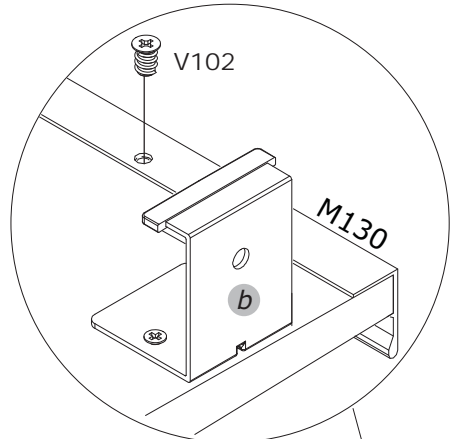
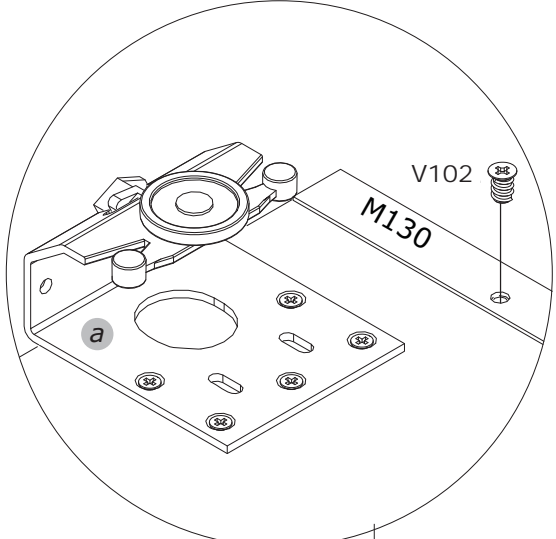


4

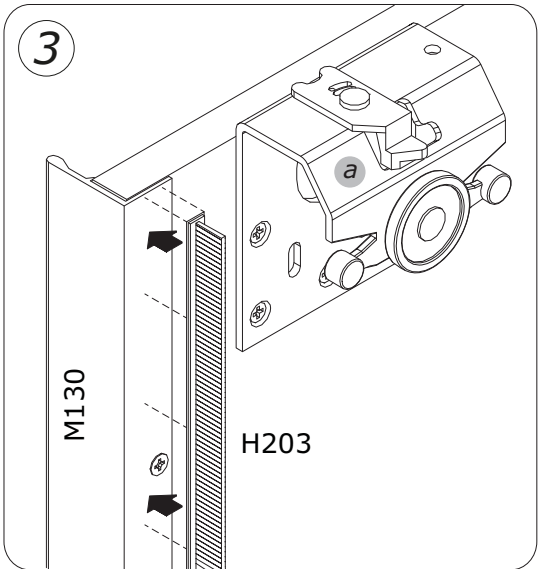
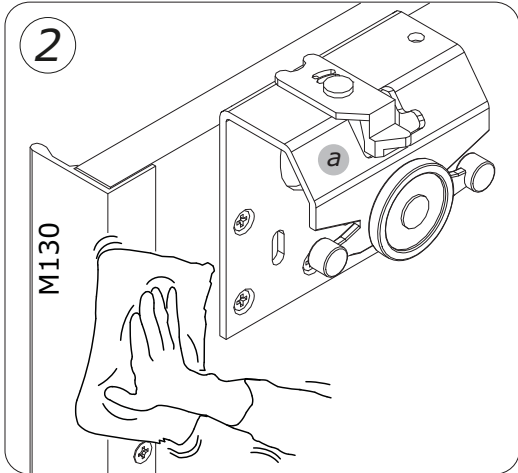
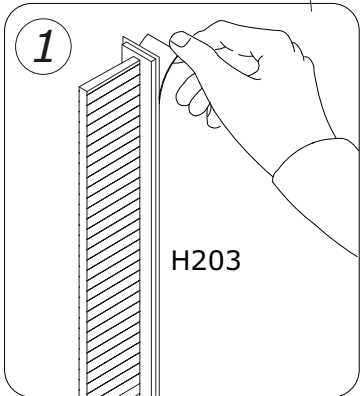
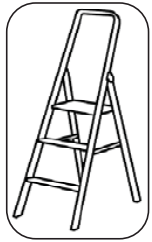
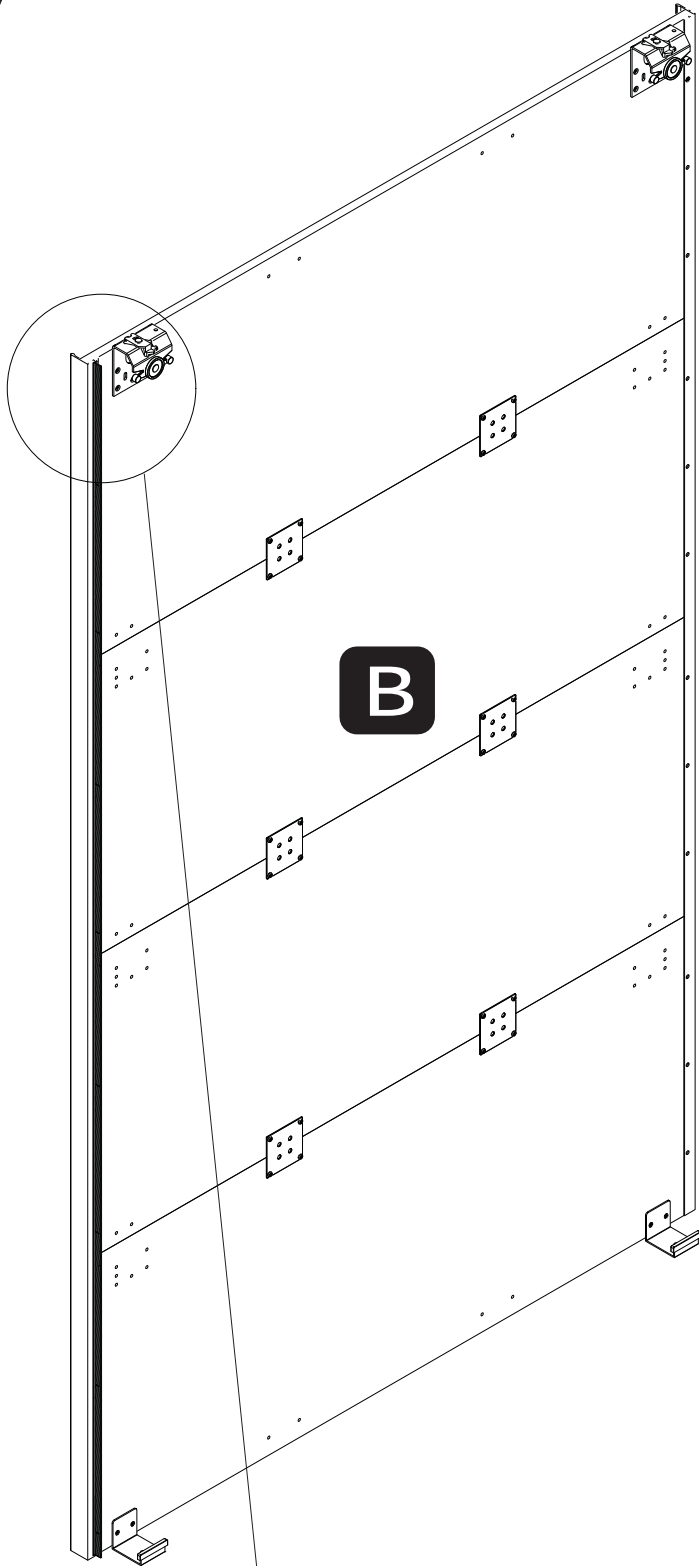


5

12x
V102



6



7

