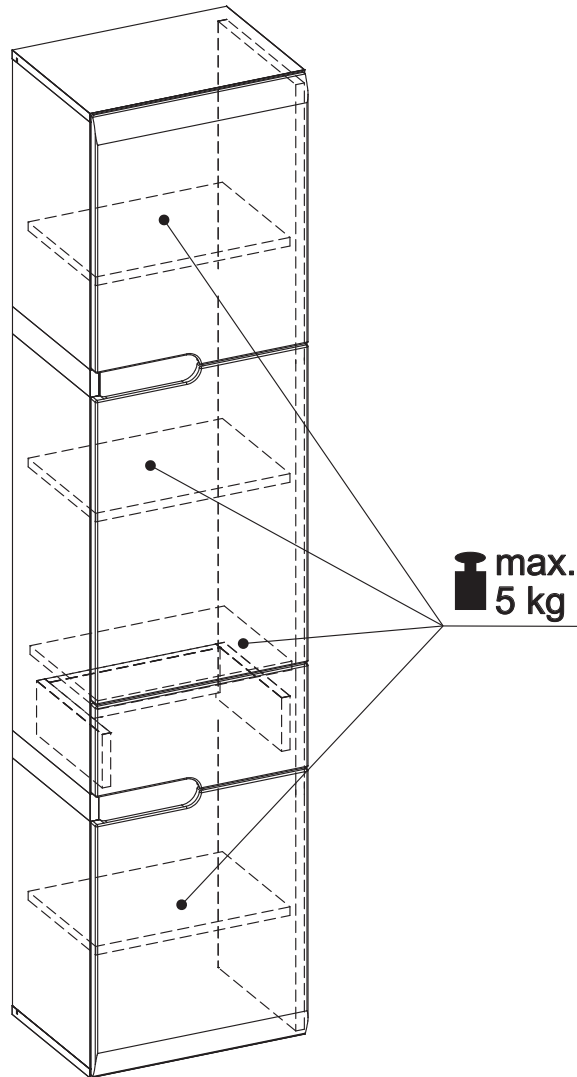


1803

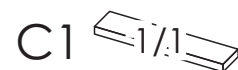
# LINATE LTB05 R



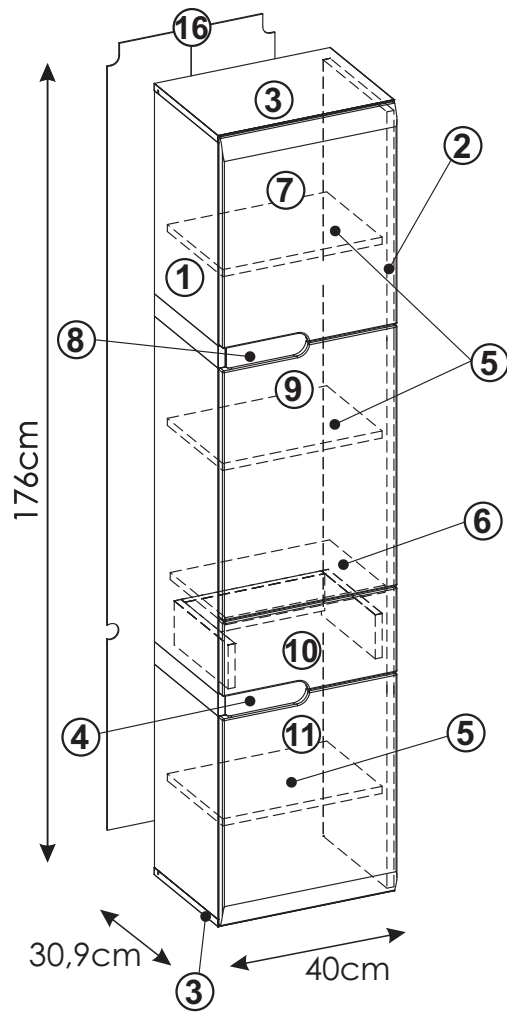
- 30 min.



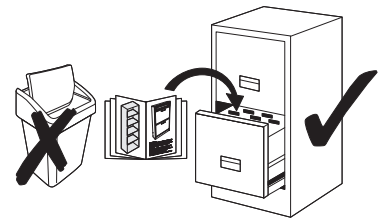
- |        |        |        |
|--------|--------|--------|
| ① - C2 | ⑦ - C1 | ⑬ - C1 |
| ② - C2 | ⑧ - C1 | ⑭ - C1 |
| ③ - C1 | ⑨ - C1 | ⑮ - C1 |
| ④ - C1 | ⑩ - C1 | ⑯ - C2 |
| ⑤ - C1 | ⑪ - C1 |        |
| ⑥ - C1 | ⑫ - C1 |        |



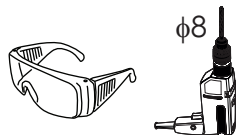
# LINATE LTB05 R



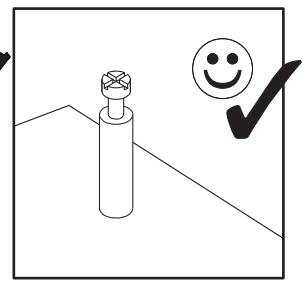
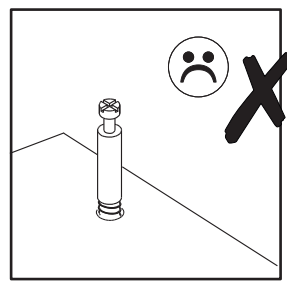
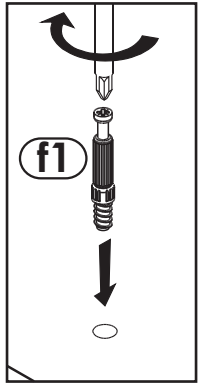
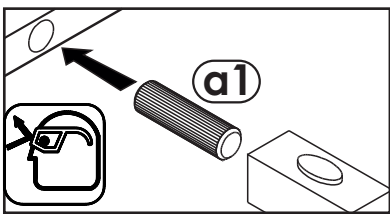
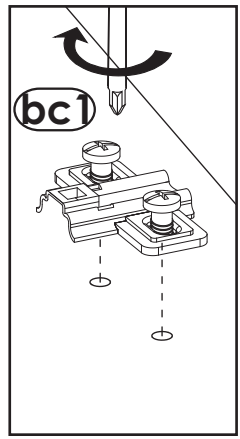
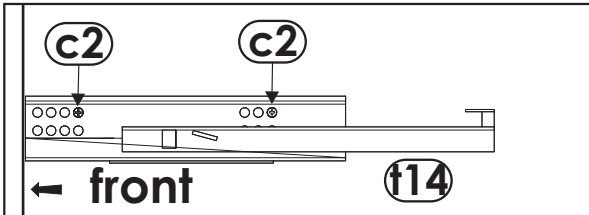
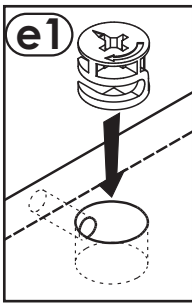
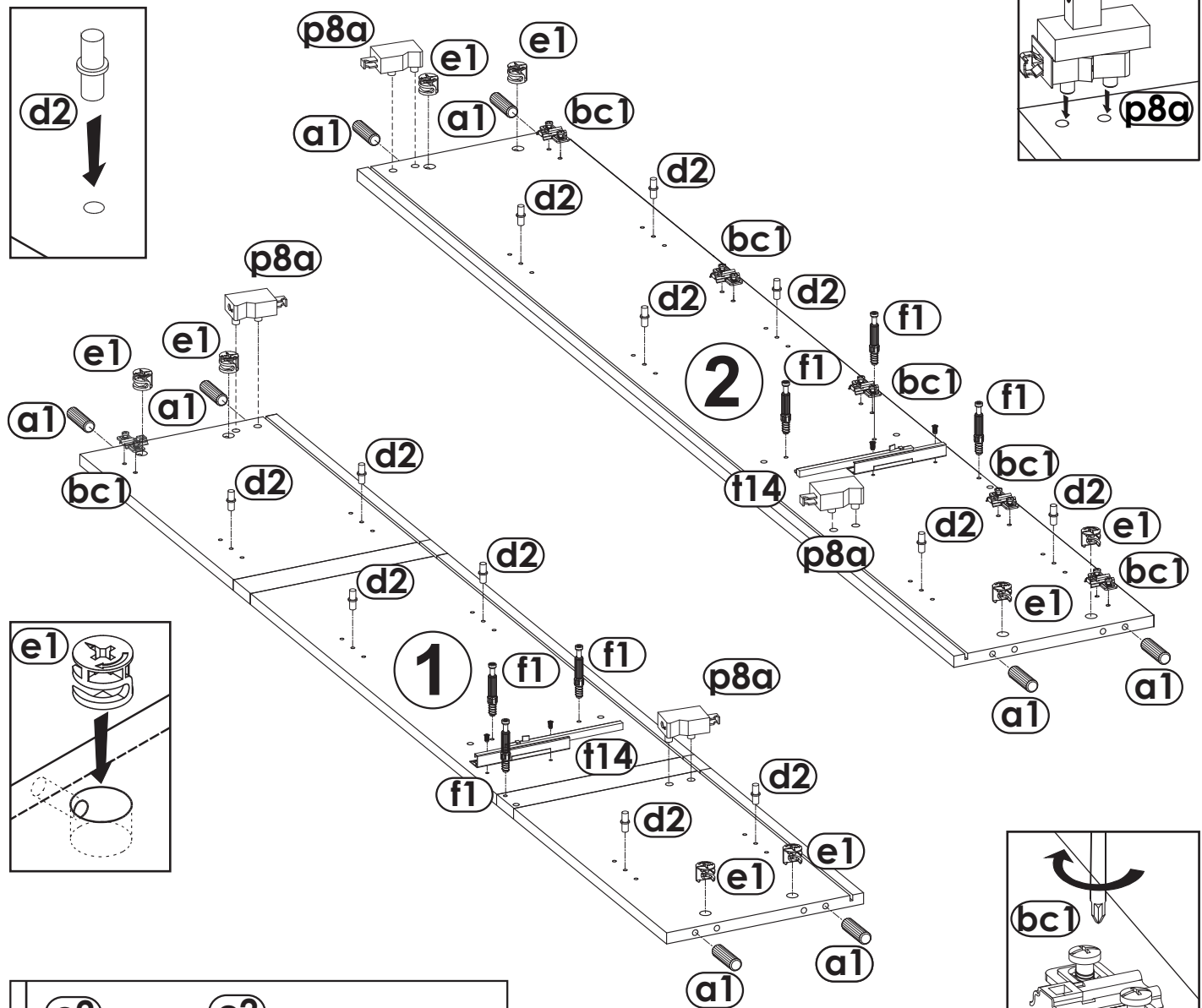
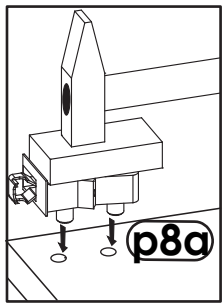
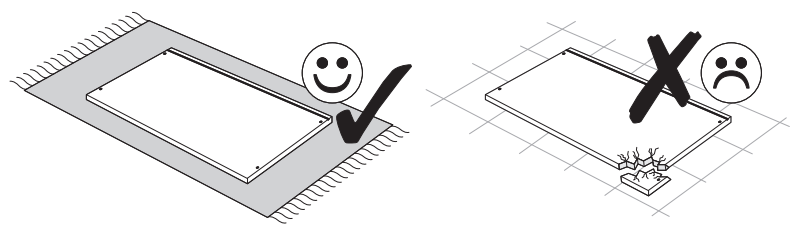
max. 5 kg



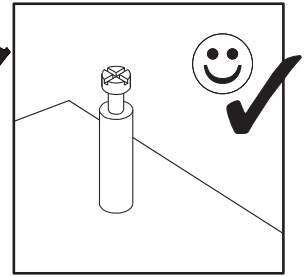
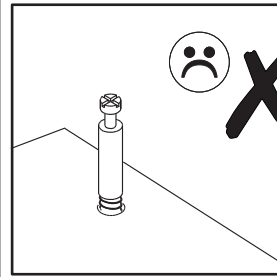
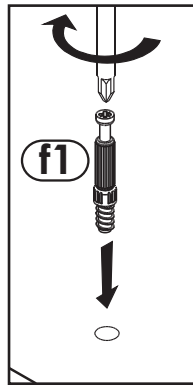
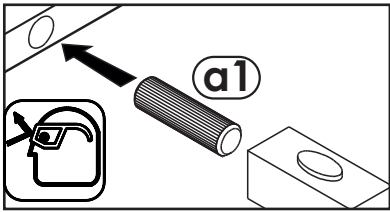
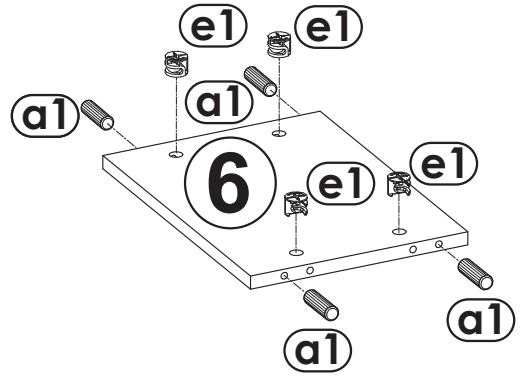
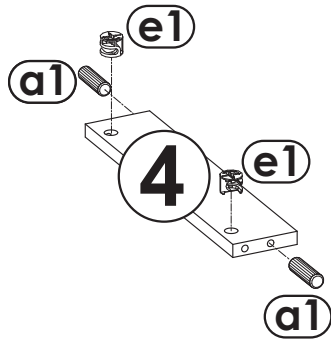
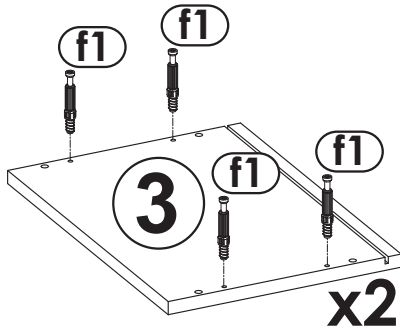
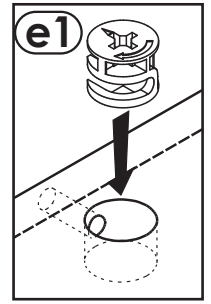
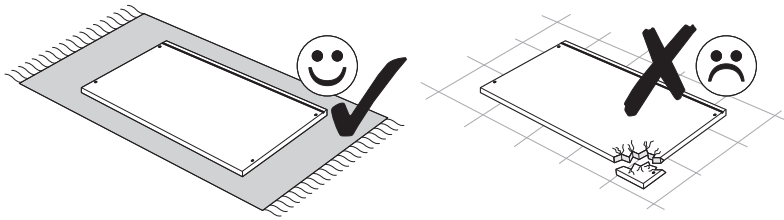
<b>bc1</b>  x...(x5)	<b>c1</b>  Euro 4x13 X...(X10)	<b>c2</b>  Euro 5x13 X...(X4)	<b>d2</b>  x...(x12)	<b>e0</b>  WEISS x...(x12)	<b>e0</b>  EICHE x...(x4)	<b>e1</b>  x...(x16)	<b>f1</b>  x...(x16)	<b>g0</b>  x...(x2)
<b>g1</b>  7x50 x...(x2)	<b>j6</b>  4x30 x...(x6)	<b>m</b>  x...(x1)	<b>n1</b>  3x16 x...(x6)	<b>p8a</b>  x...(x2)	<b>r4</b>  x...(x18)	<b>t14</b>  L-260 x...(x1)		



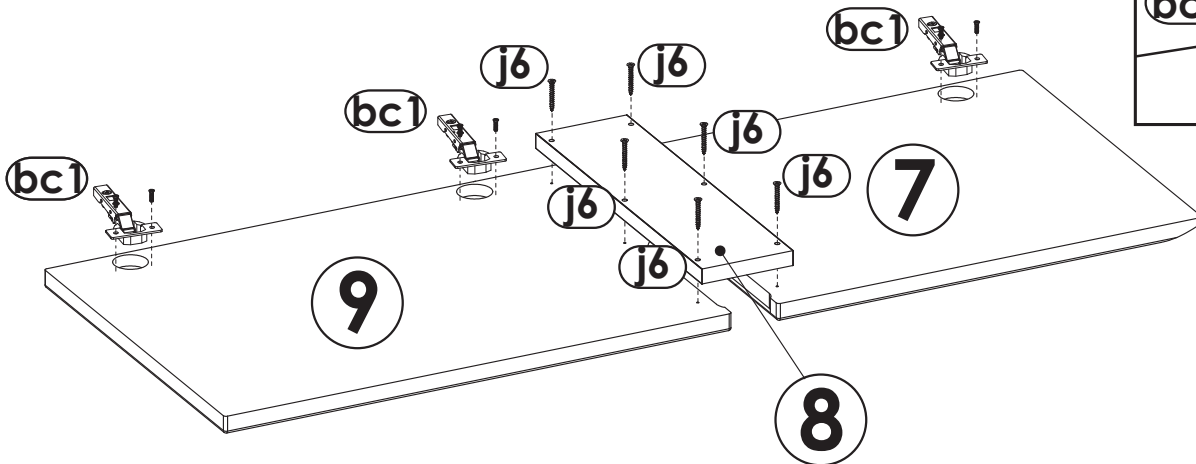
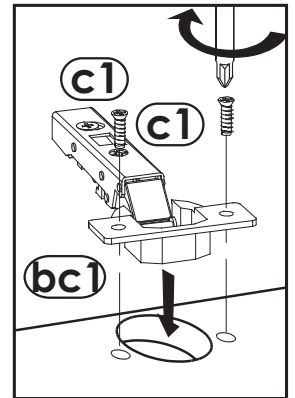
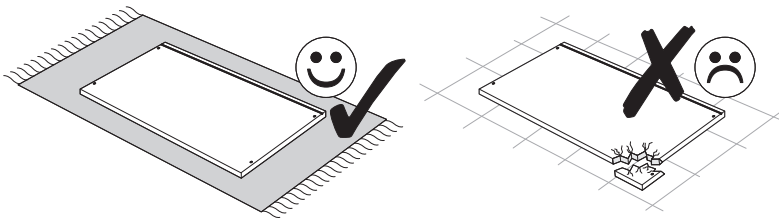
1



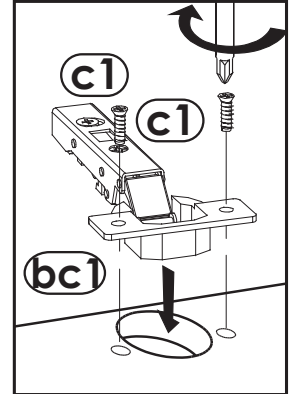
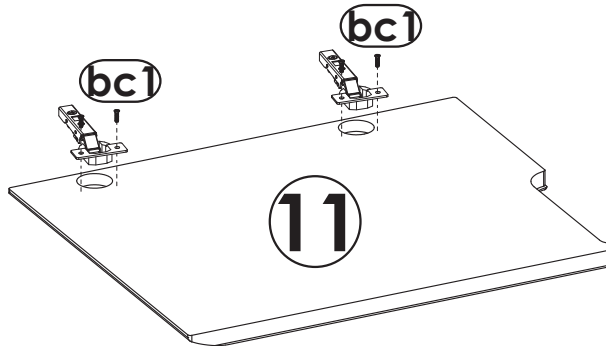
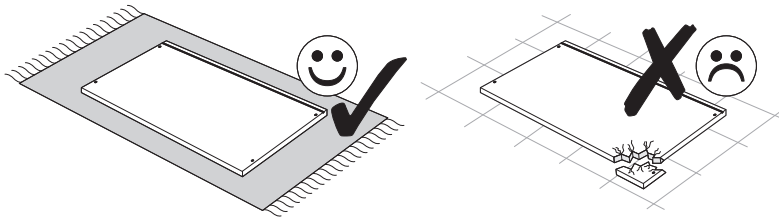
2



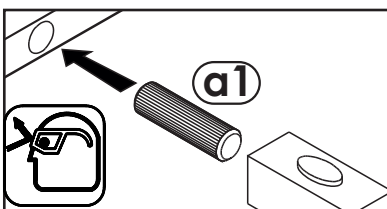
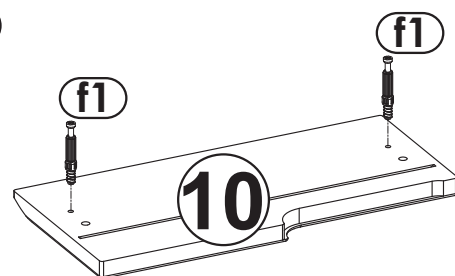
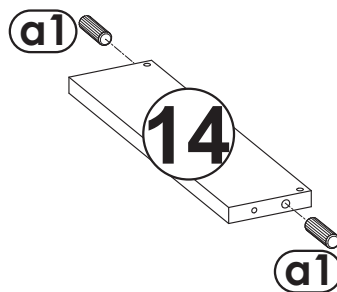
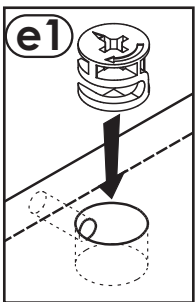
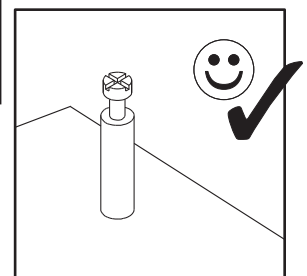
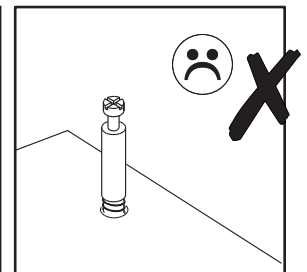
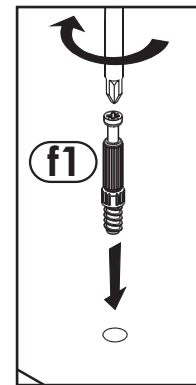
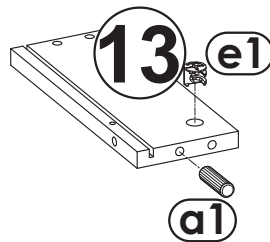
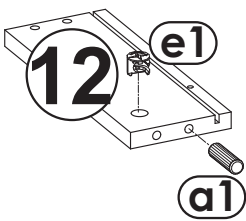
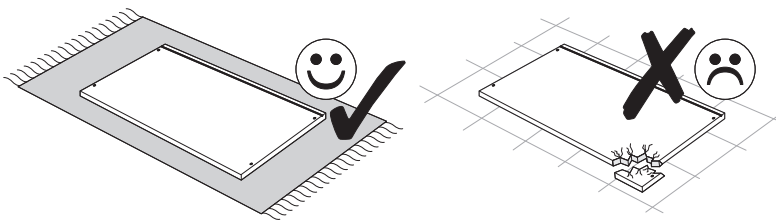
3



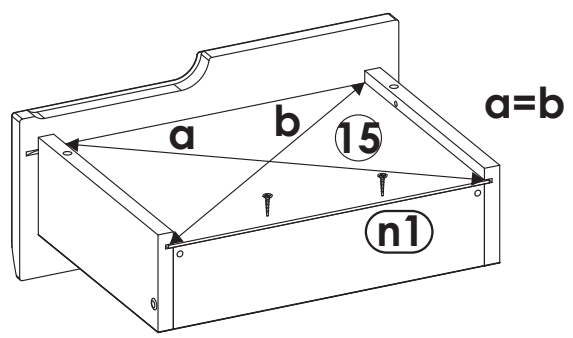
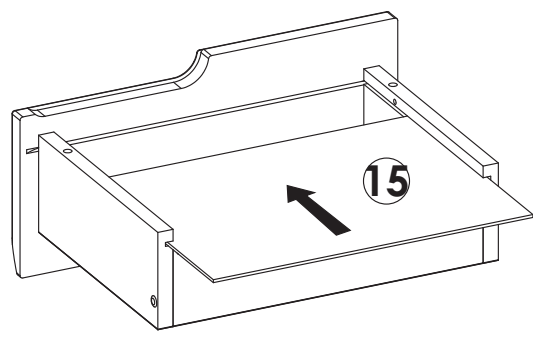
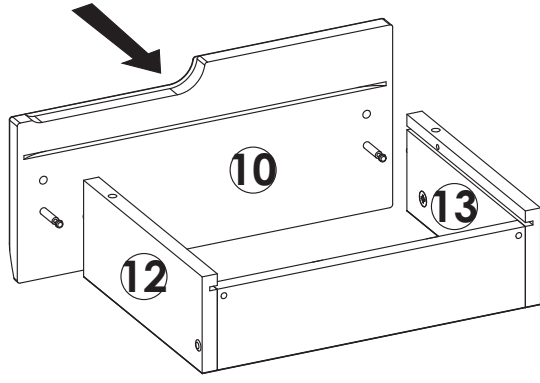
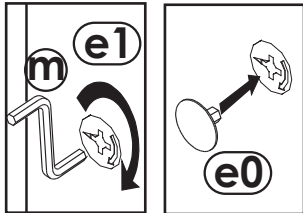
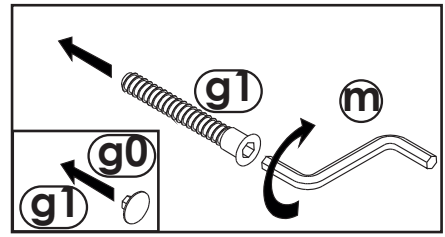
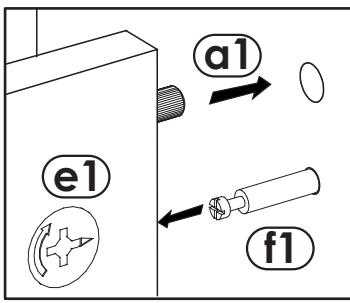
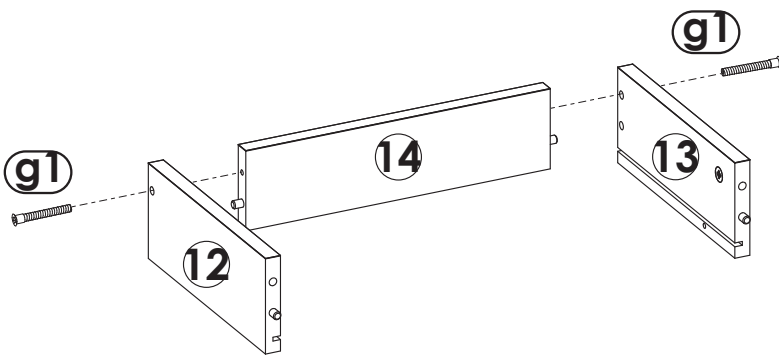
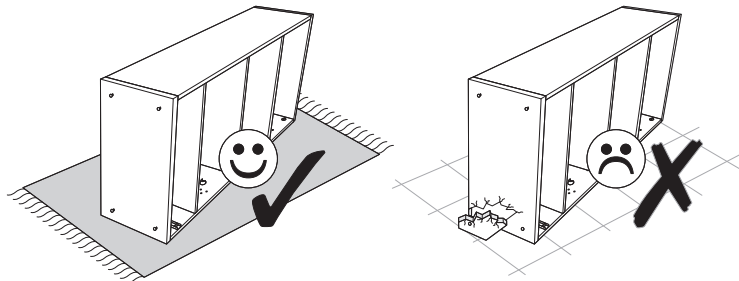
4  
▼



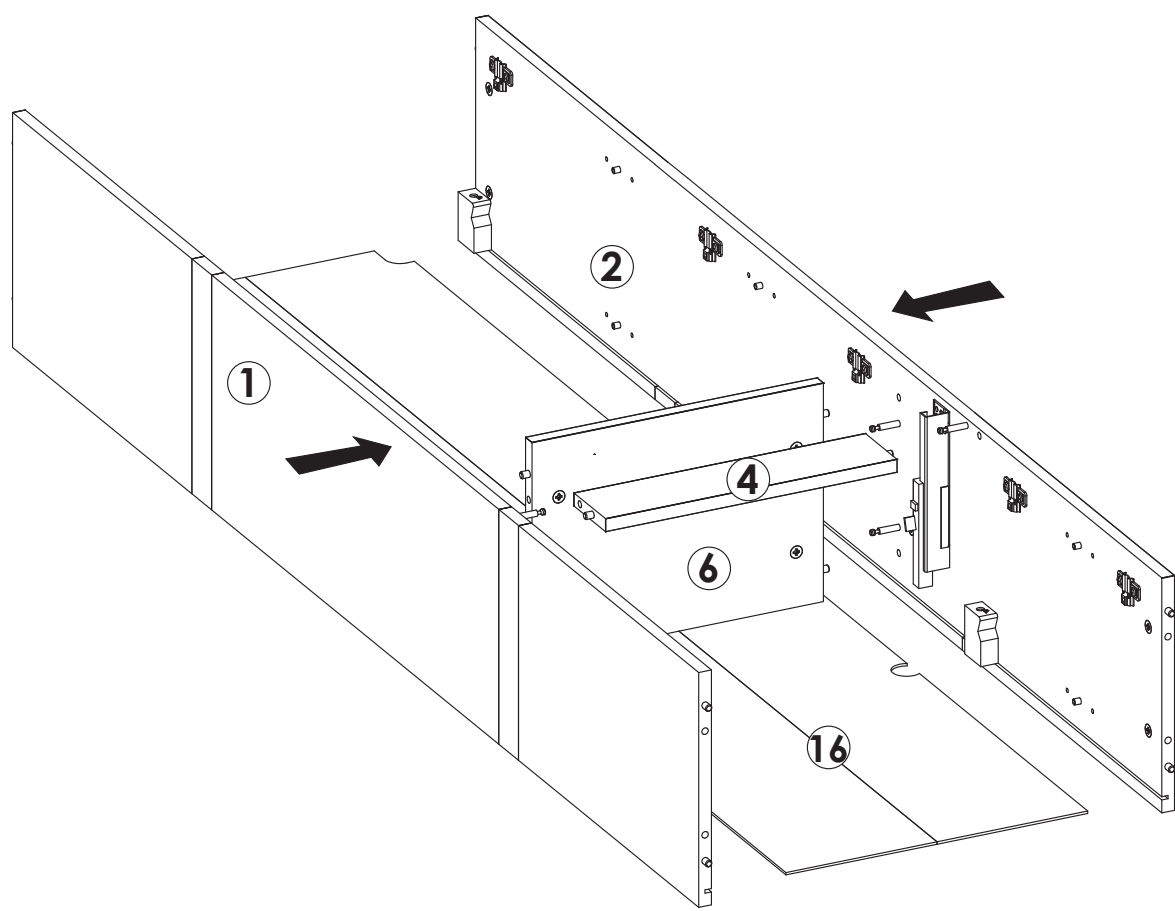
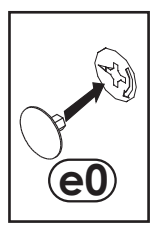
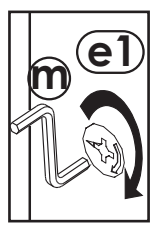
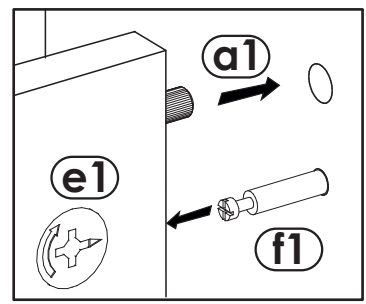
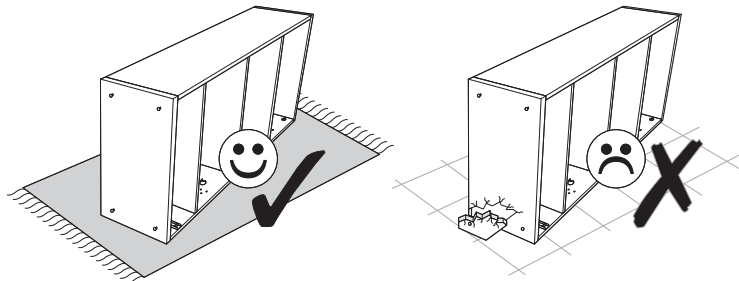
5  
▼



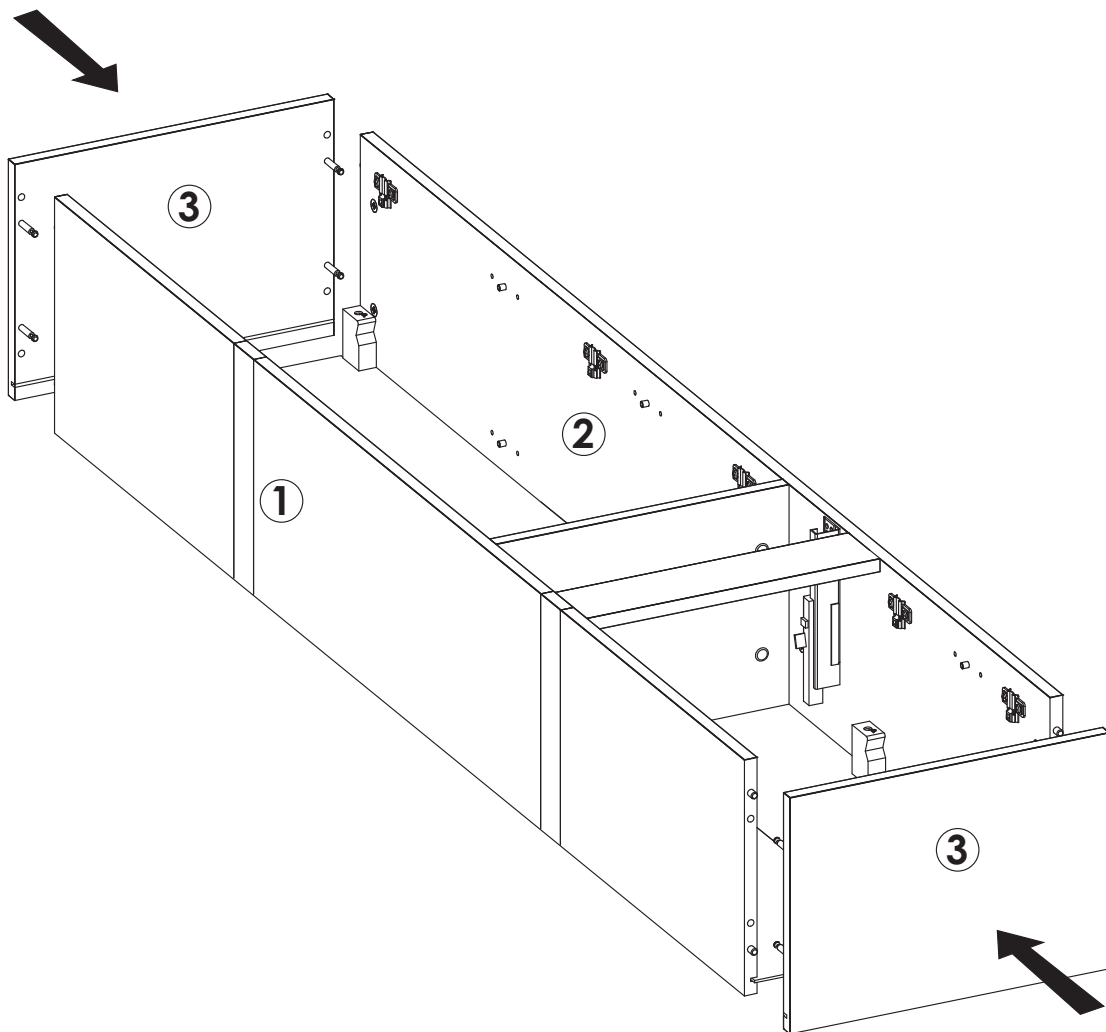
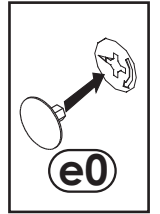
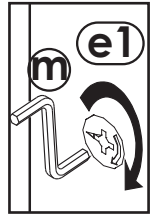
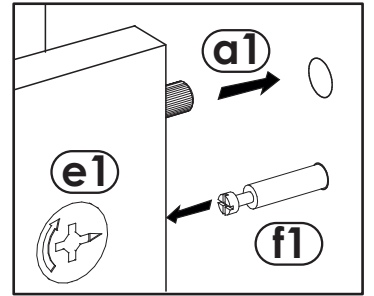
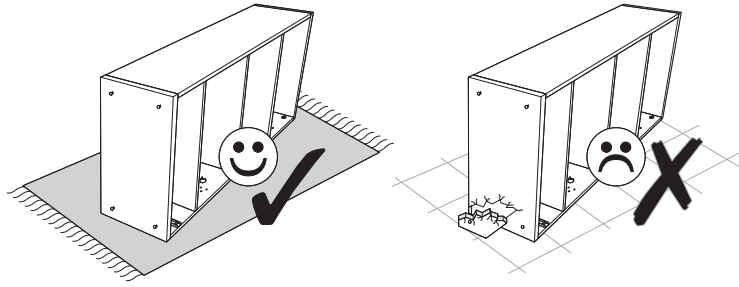
6  
▼



7

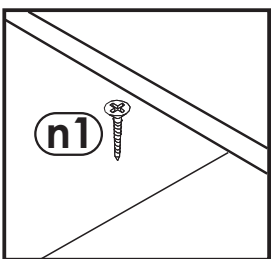
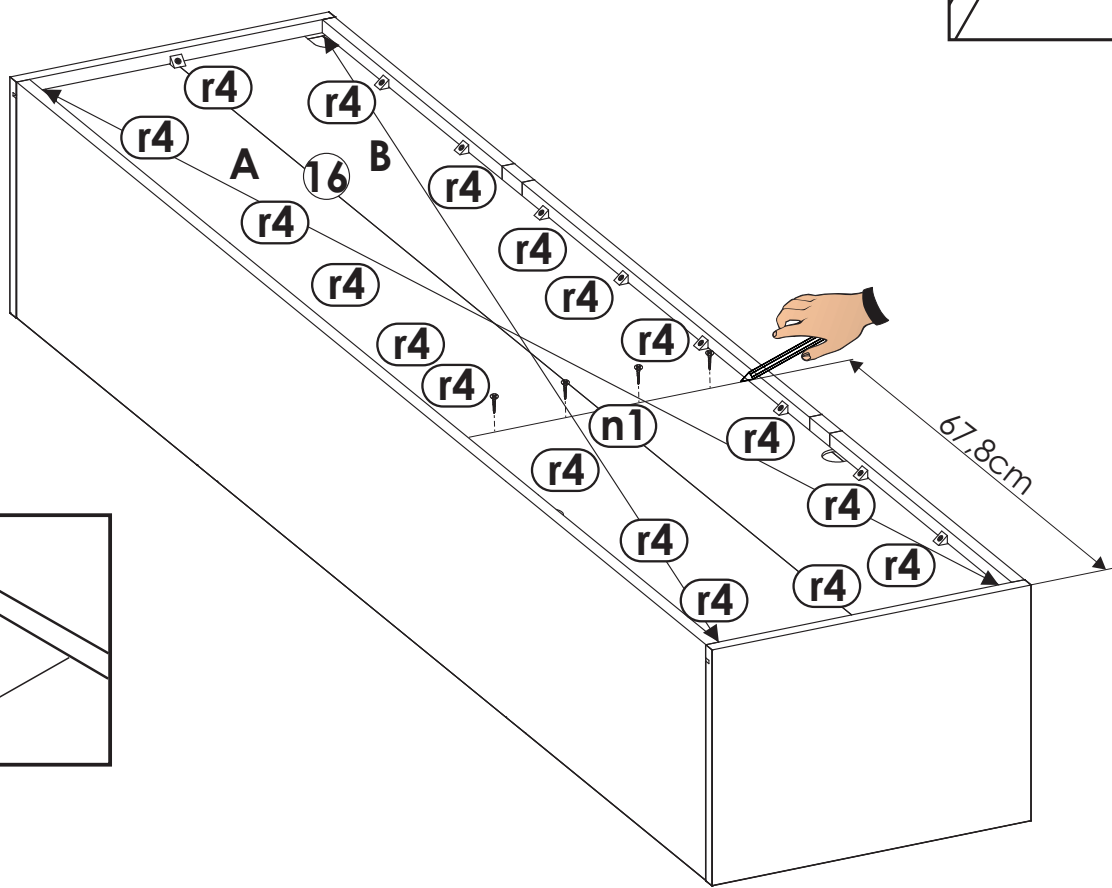
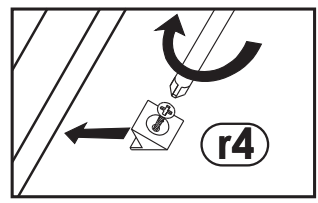
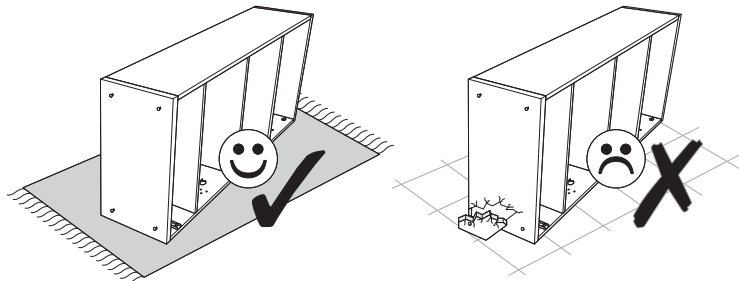


8





9



10  
▼

