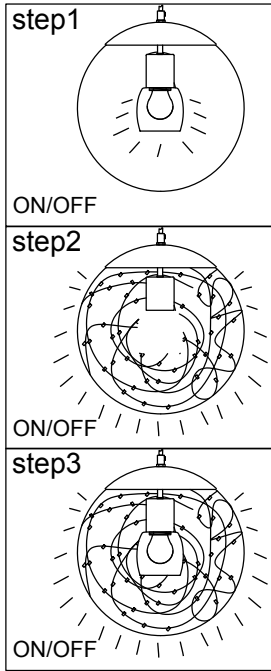
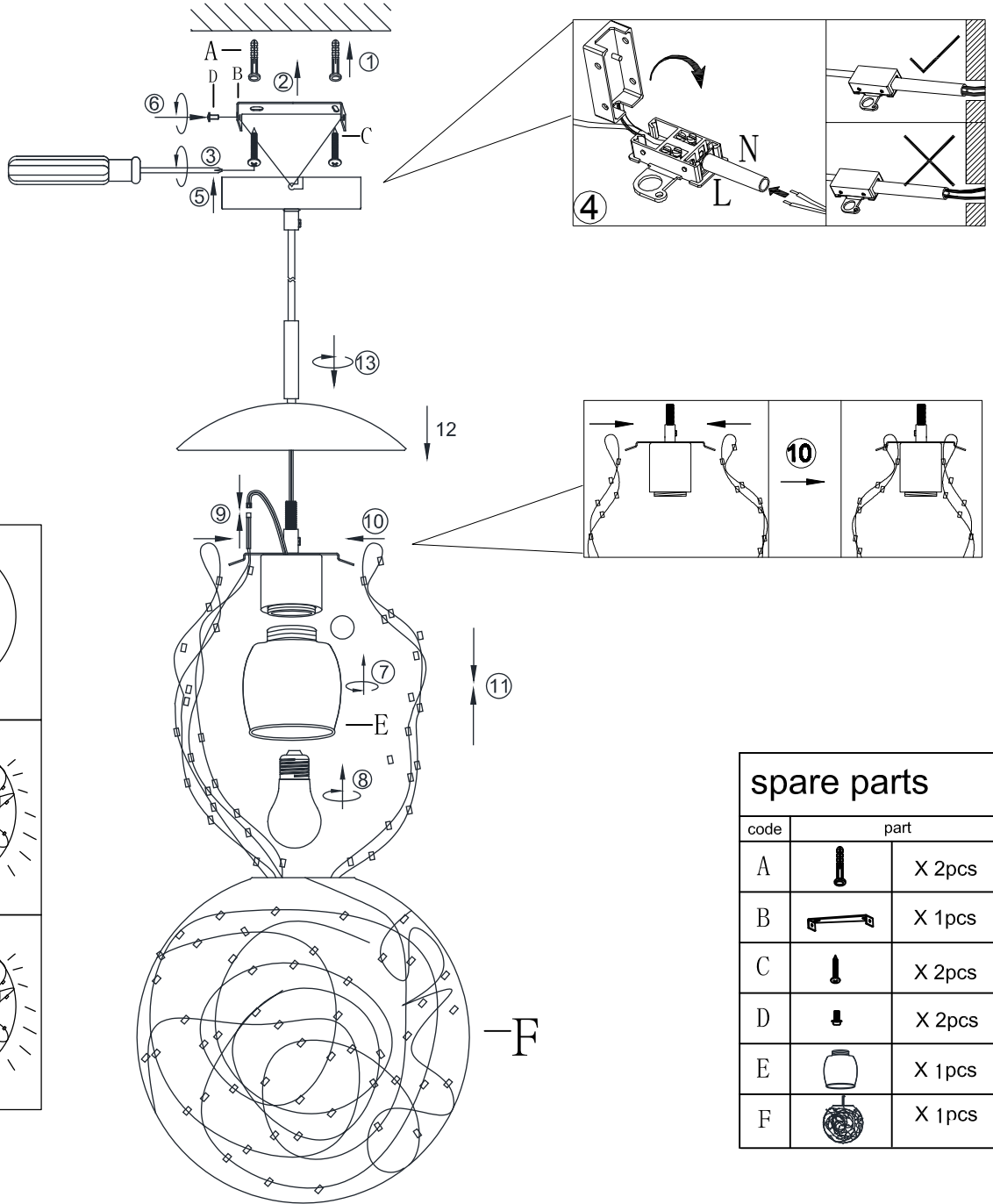


81810381-08

B



spare parts		
code	part	
A		X 2pcs
B		X 1pcs
C		X 2pcs
D		X 2pcs
E		X 1pcs
F		X 1pcs

