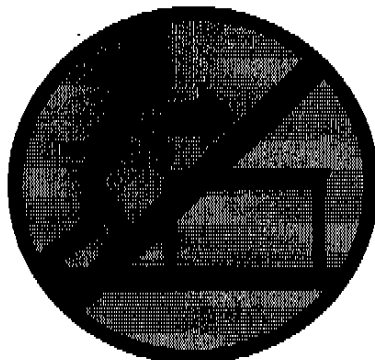
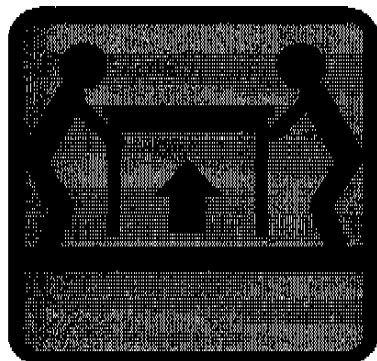
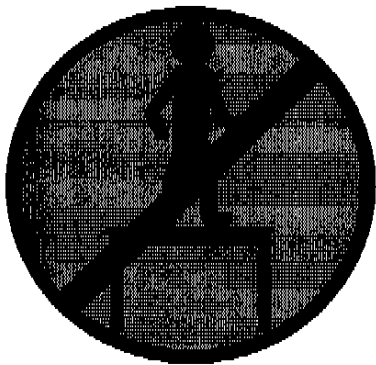
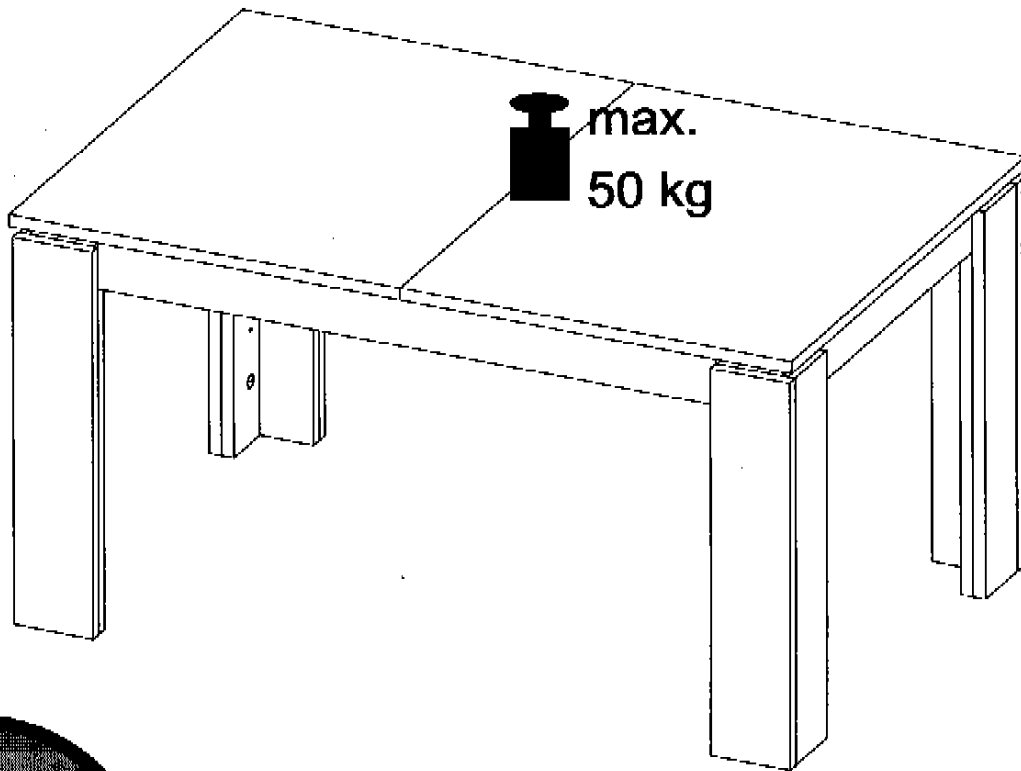


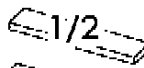
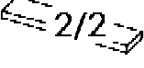
18030359-01

BARI BAT01

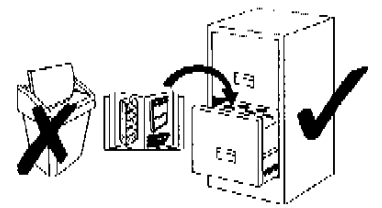
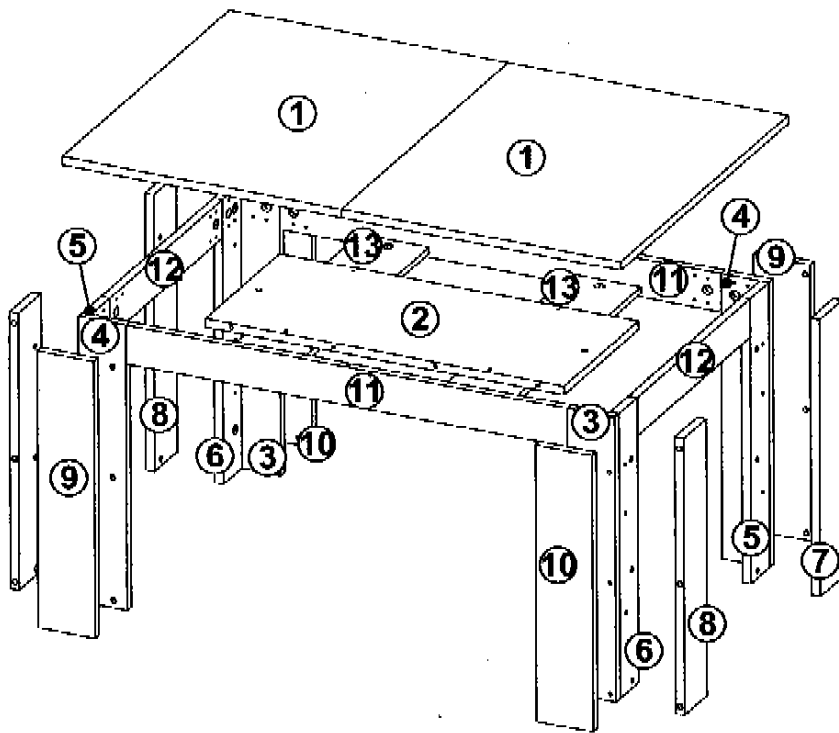


- 180 min.

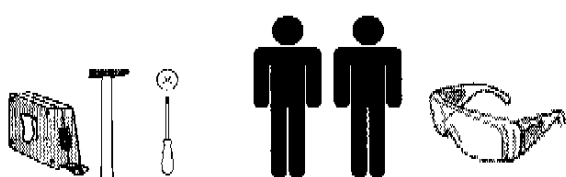


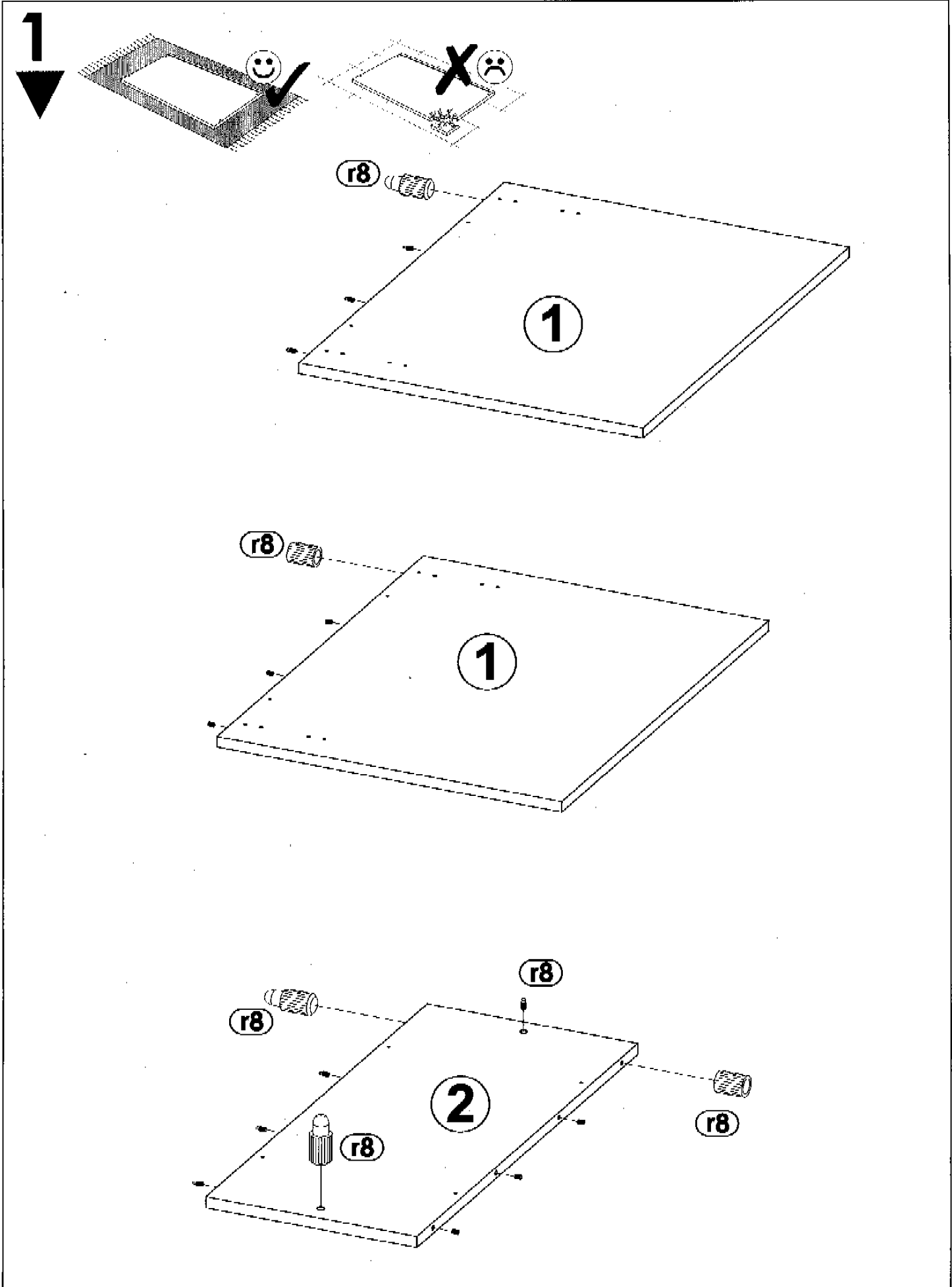
- ① - C2 ⑦ - C1 C1 
- ② - C2 ⑧ - C1 C2 
- ③ - C1 ⑨ - C1
- ④ - C1 ⑩ - C1
- ⑤ - C1 ⑪ - C1
- ⑥ - C1 ⑫ - C2

BARI BAT01

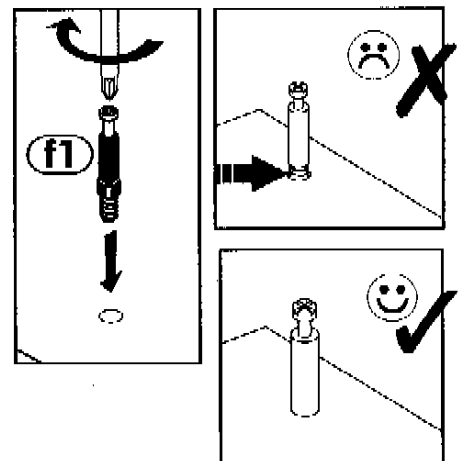
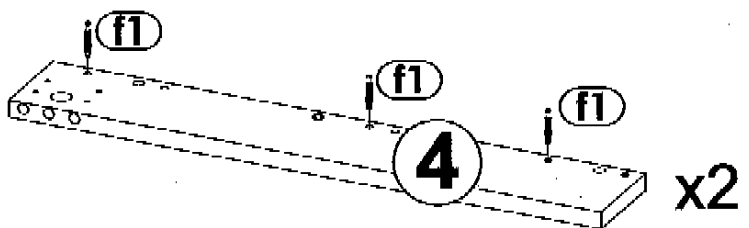
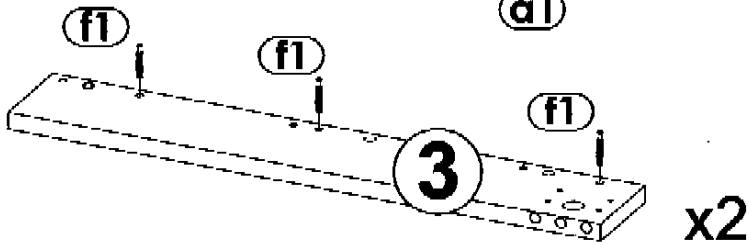
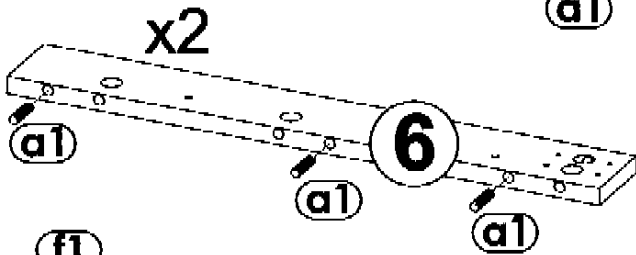
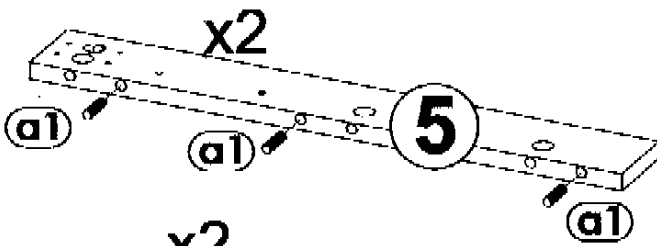
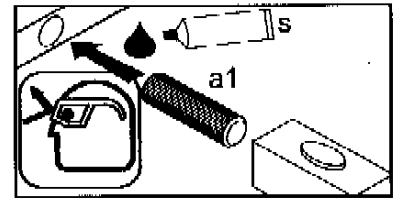
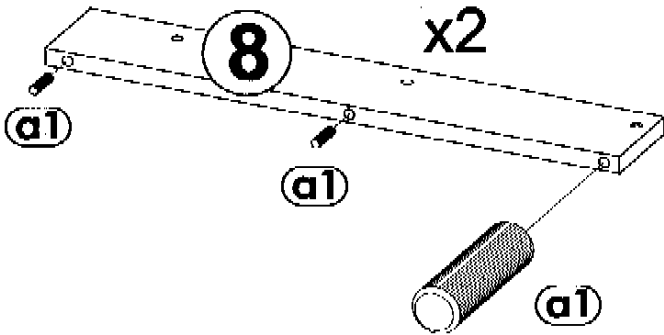
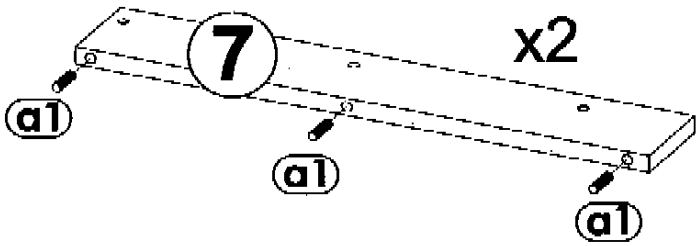
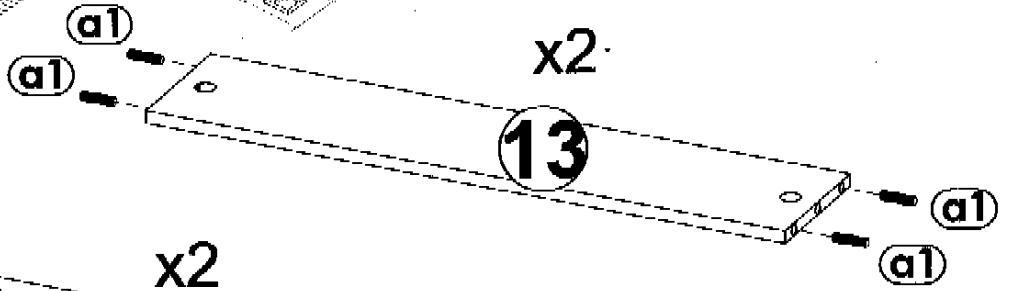
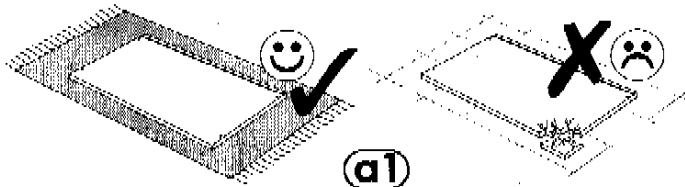


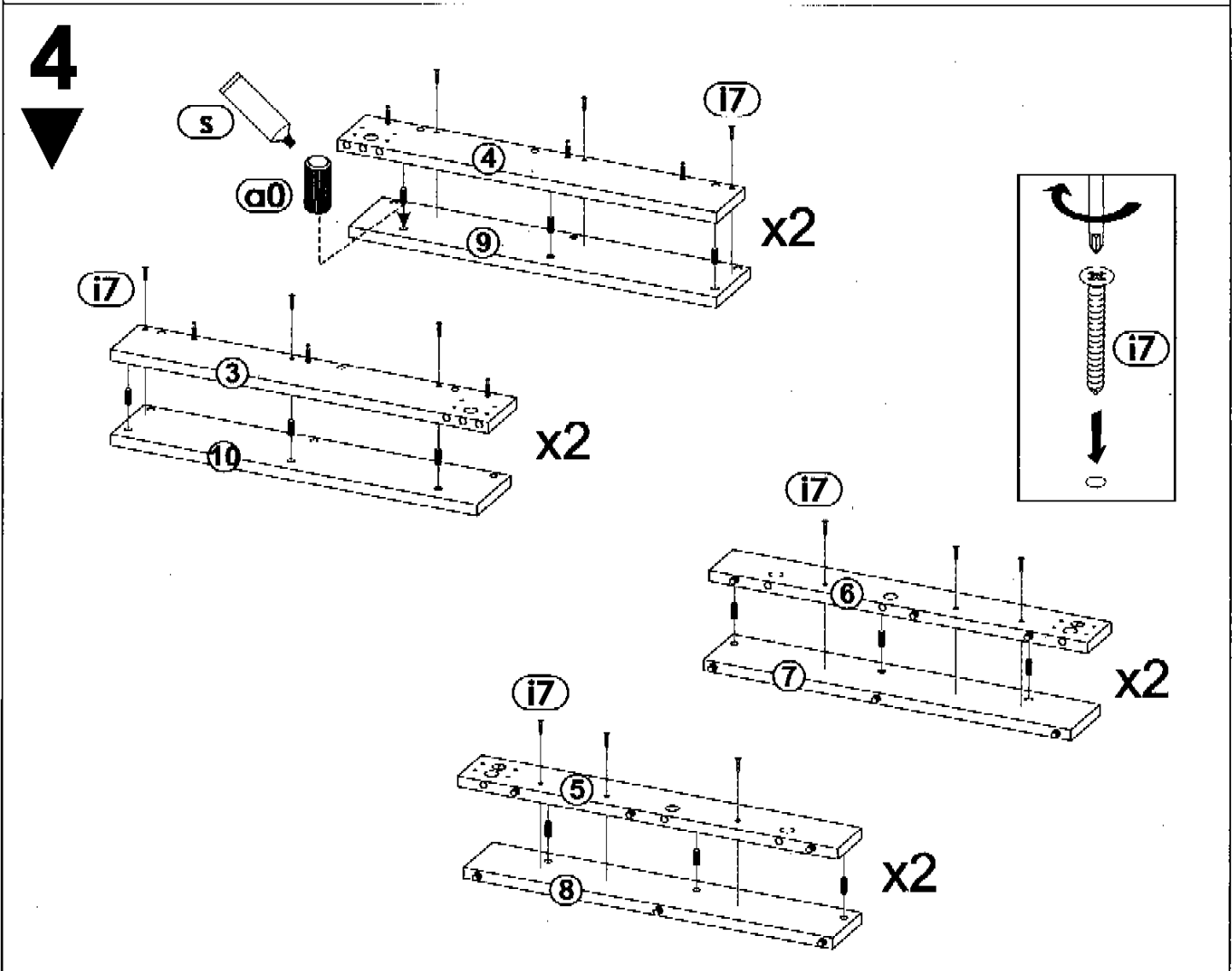
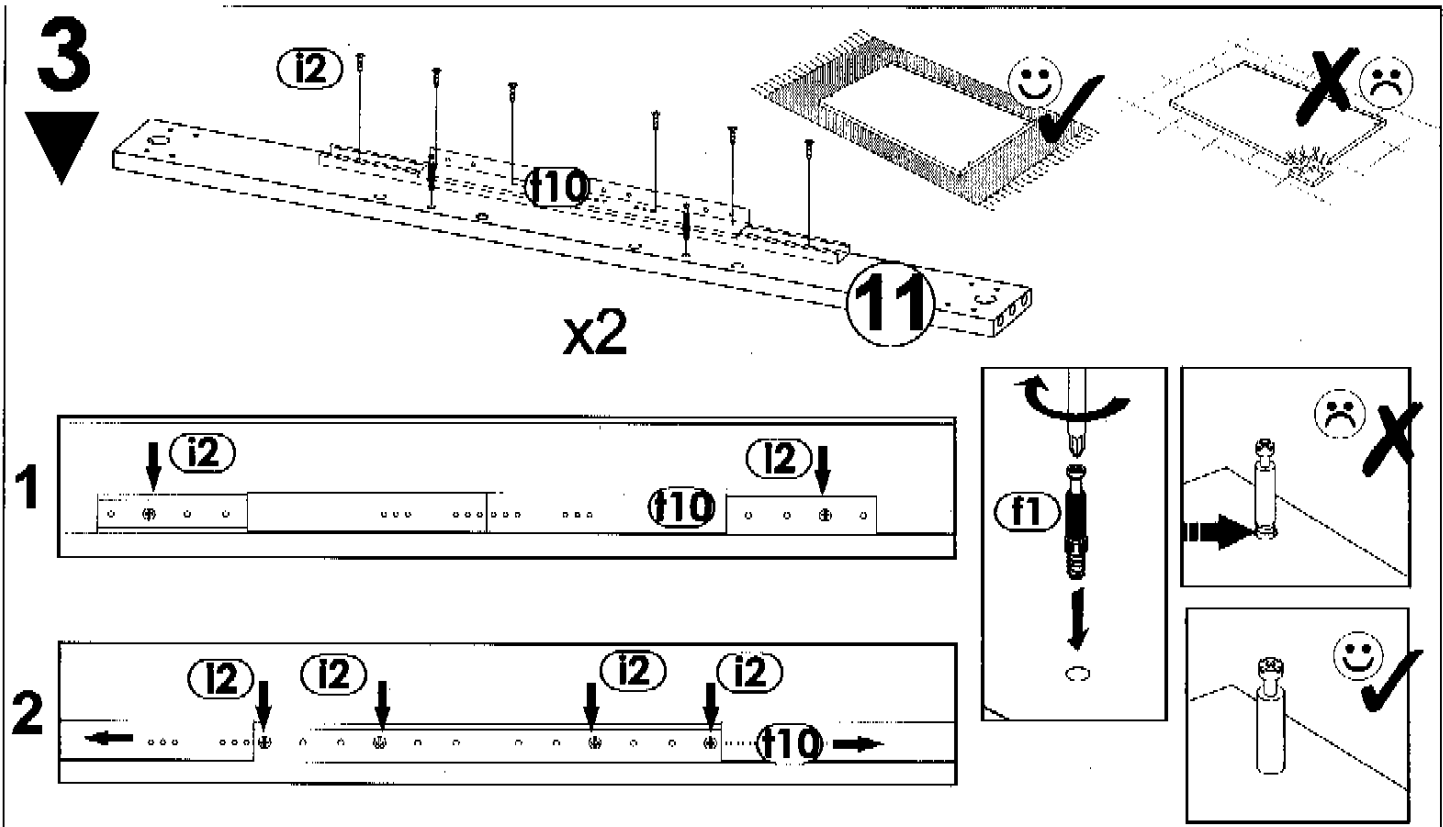
a0 x...(x24)	a1 x...(x32)	a2 x...(x16)	e0 x...(x12)	e1 x...(x32)	f1 x...(x16)	f4 x...(x8)	i2 x...(x102)	i7 x...(x24)	m x...(x1)	o2 x...(x8)
p16 x...(x12)	r8 x...(x10)	s x...(x2)	f10 x...(x2)	x6 x...(x4)	s19 x...(x4)					



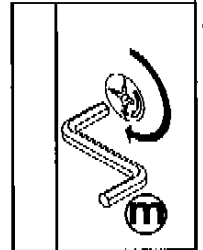
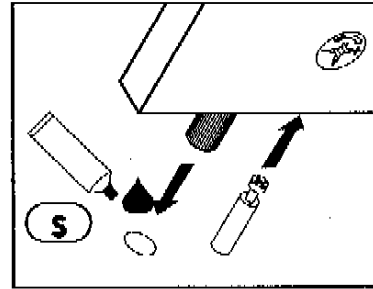
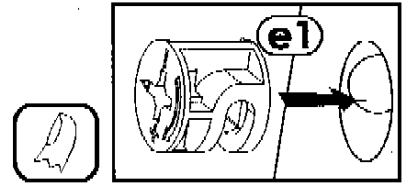
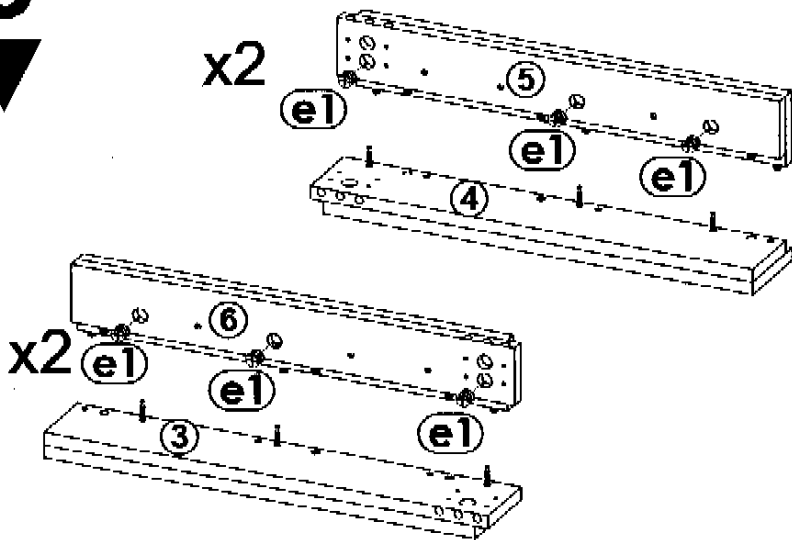


2
▼

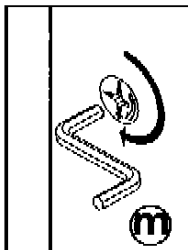
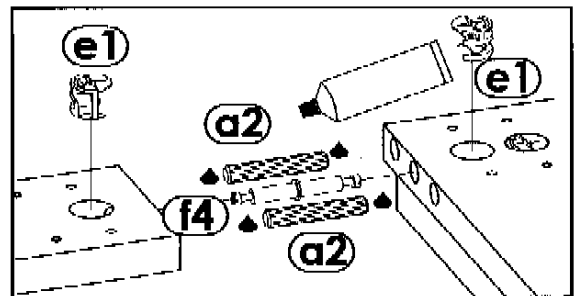
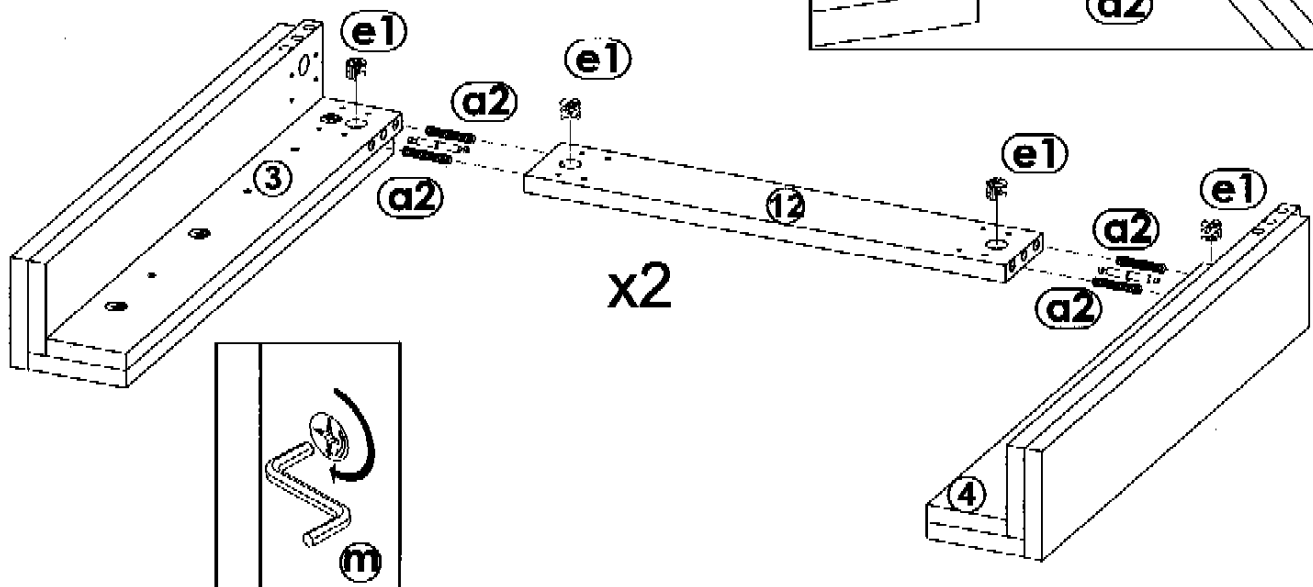


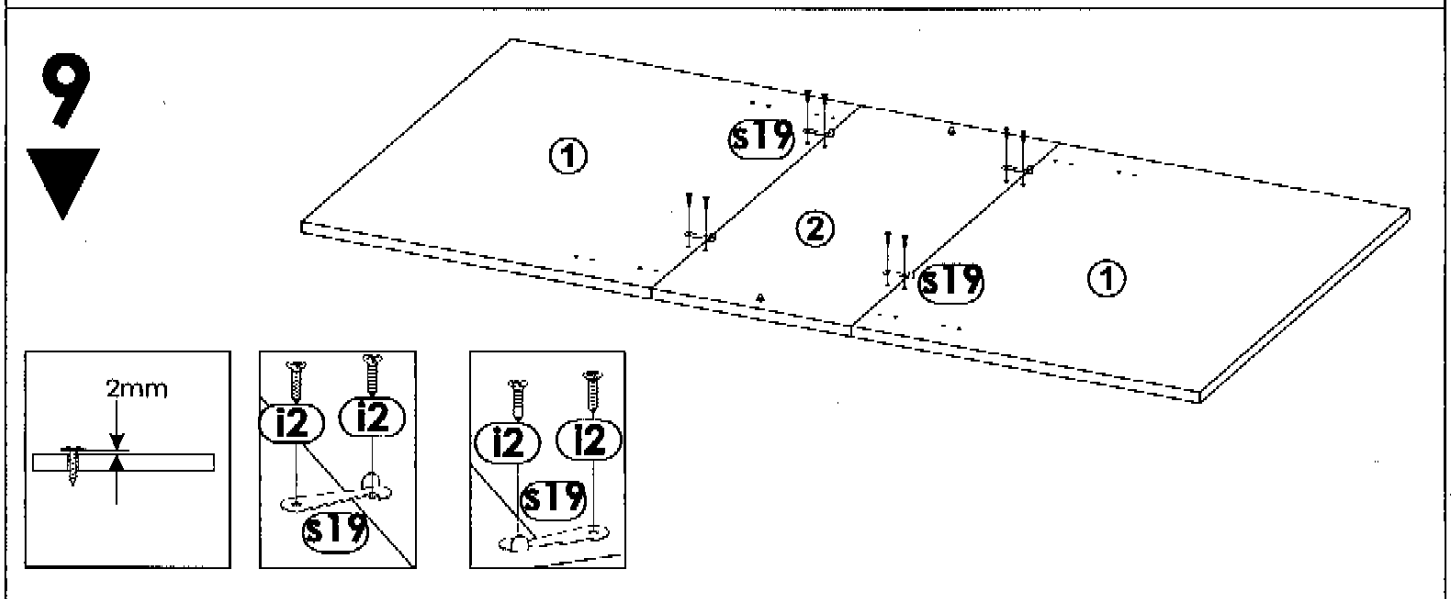
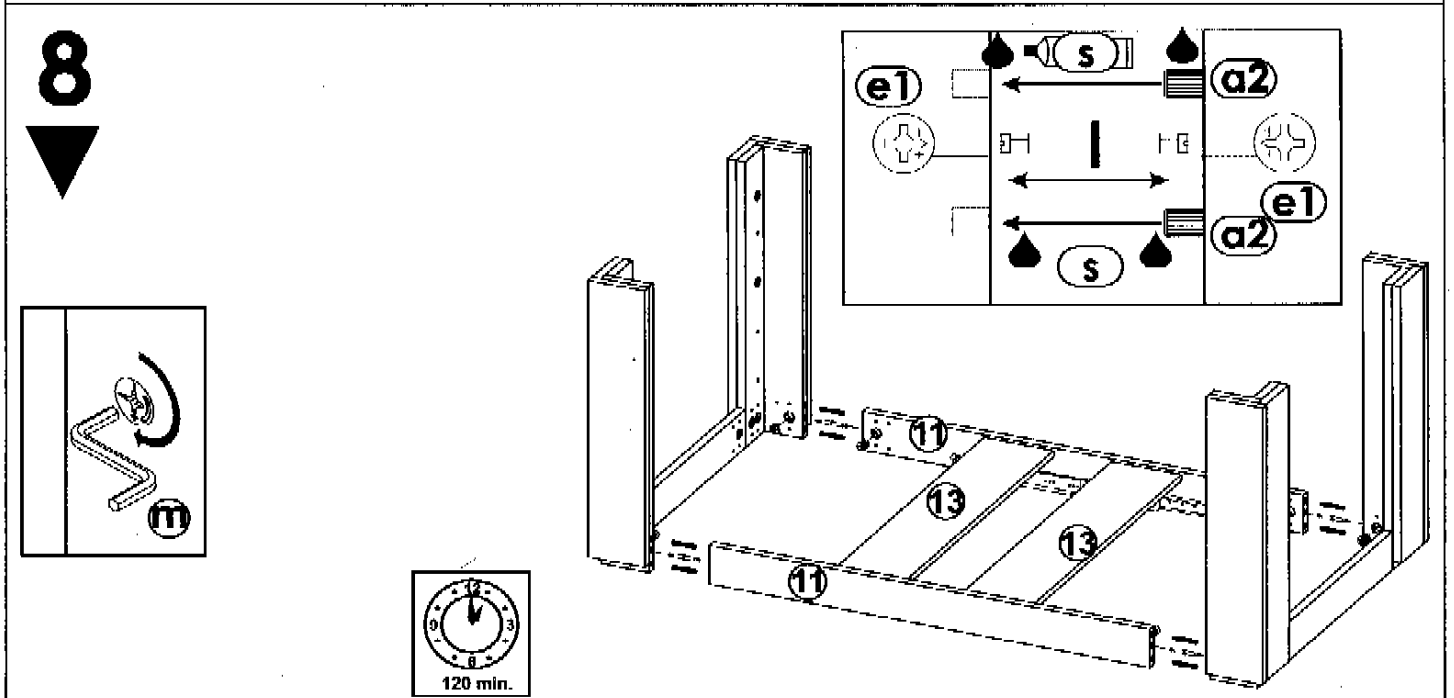
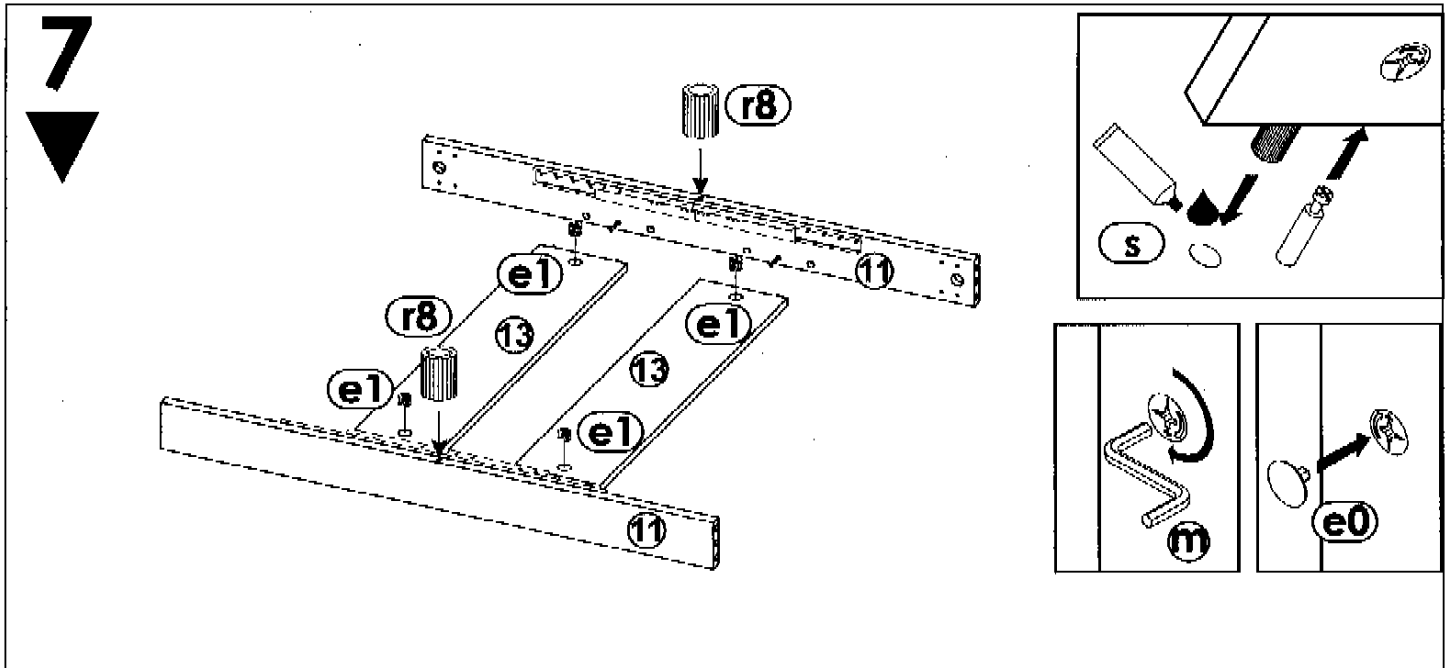


5



6





10

