
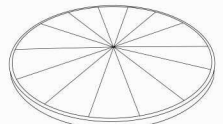
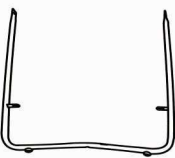
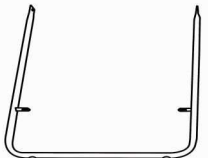
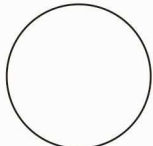


	<p>A X1</p> 	<p>B X1</p> 
	<p>C X1</p> 	<p>Dx1</p> 
	<p>E X1</p> 	<p>F X8</p>  <p>6x12mm</p>
	<p>G X1</p>  <p>6x25mm</p>	<p>H X4</p> 