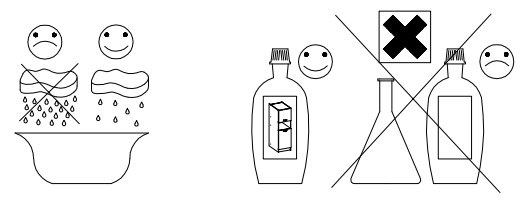
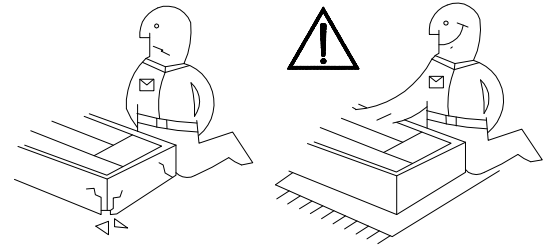
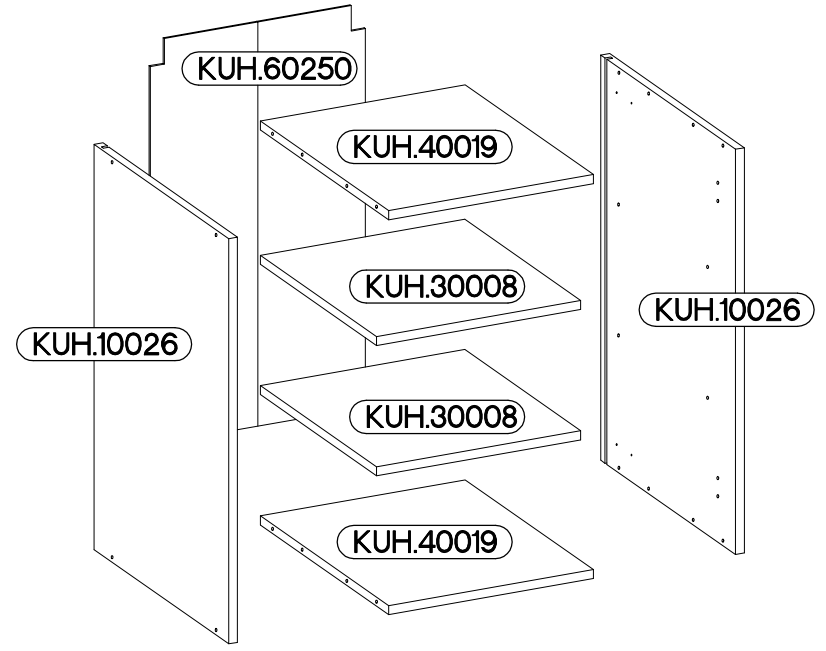
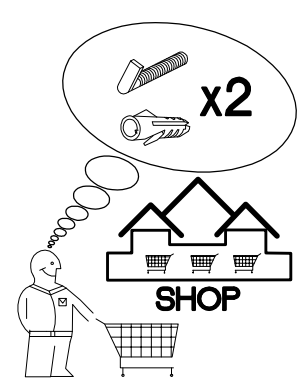
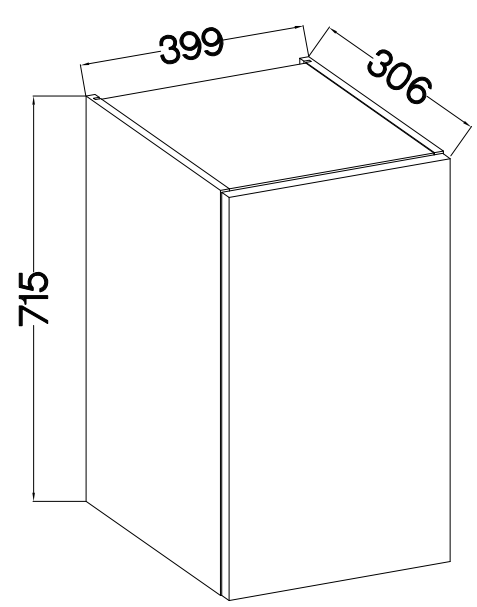
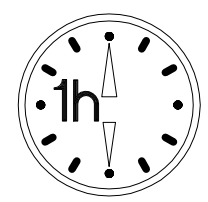


Ø10mm

40 G-72 1F

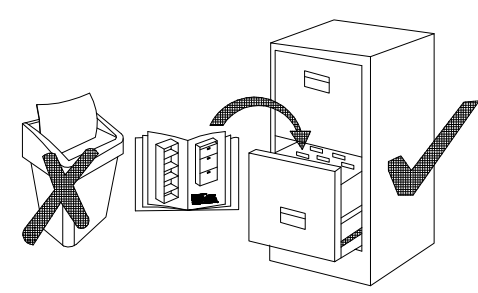


KUH.30008
KUH.40019

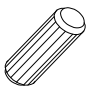
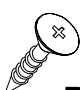
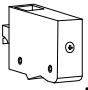


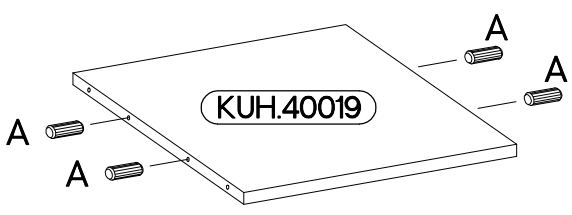
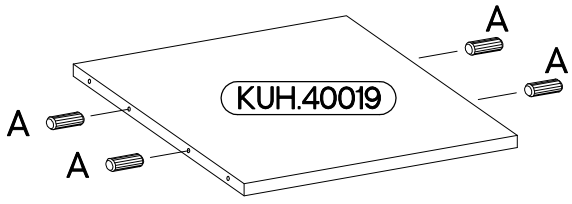
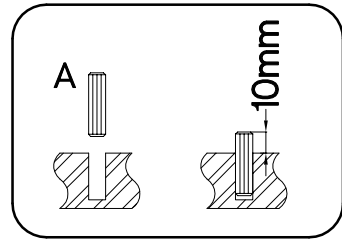
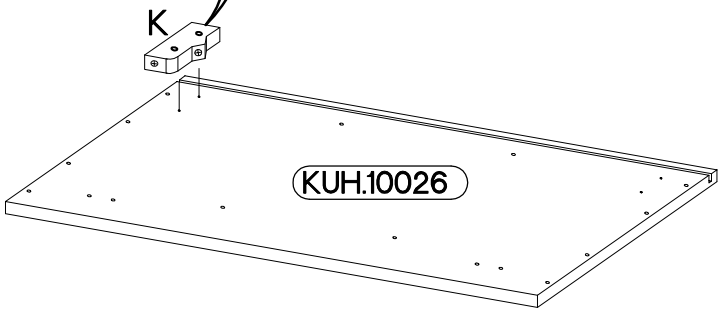
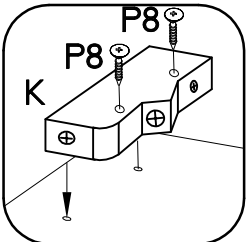
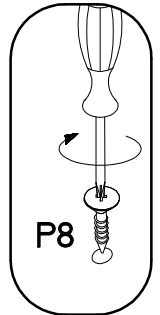
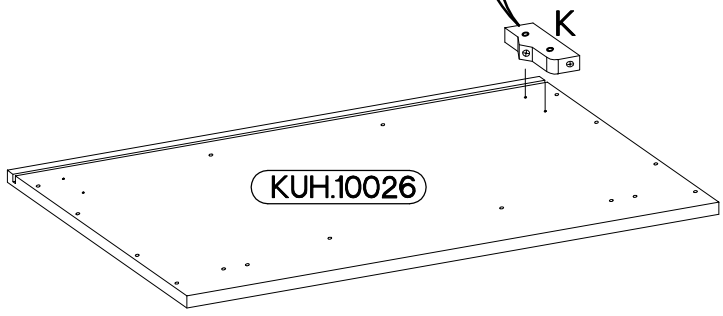
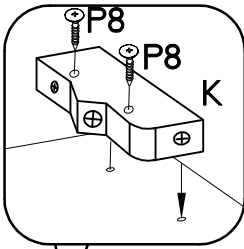
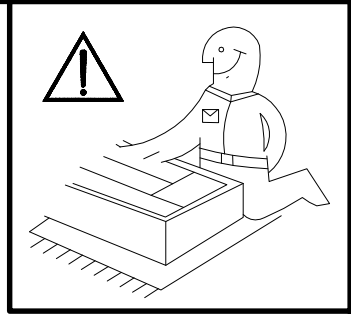
Ersatzteil Nummer	Dimension
KUH.10026 x2	715x290x16
KUH.30008 x2	366x250x16
KUH.40019 x2	367x276x16
KUH.60250	713x385x2,5

 A 8	 B 8	 E1 8	 HG 2	 P5 4	 P7 8-10	 P8 4
 J 8	 K 2	 O 1	 P5 4	 P7 8-10	 P8 4	

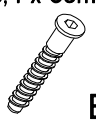




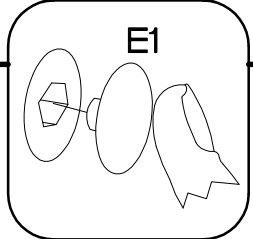
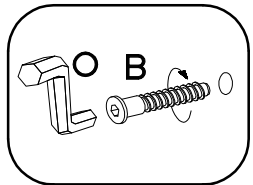
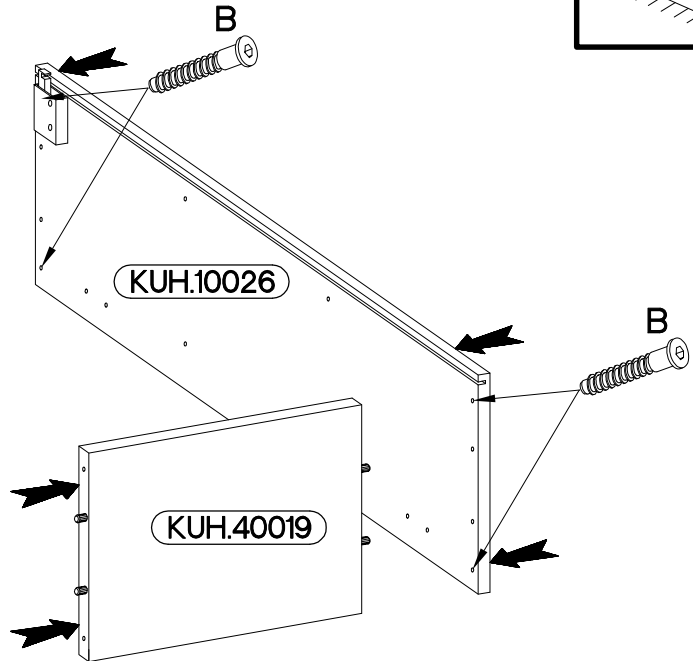
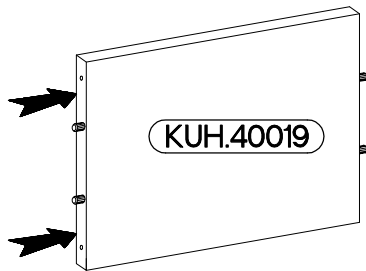
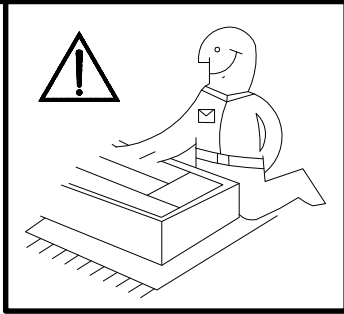
ISM-KUH-01134

$\pm 8 \times 30 \text{mm}$  A 8	$\pm 4.0 \times 30 \text{mm}$  P8 4	 K 2
---	--	--

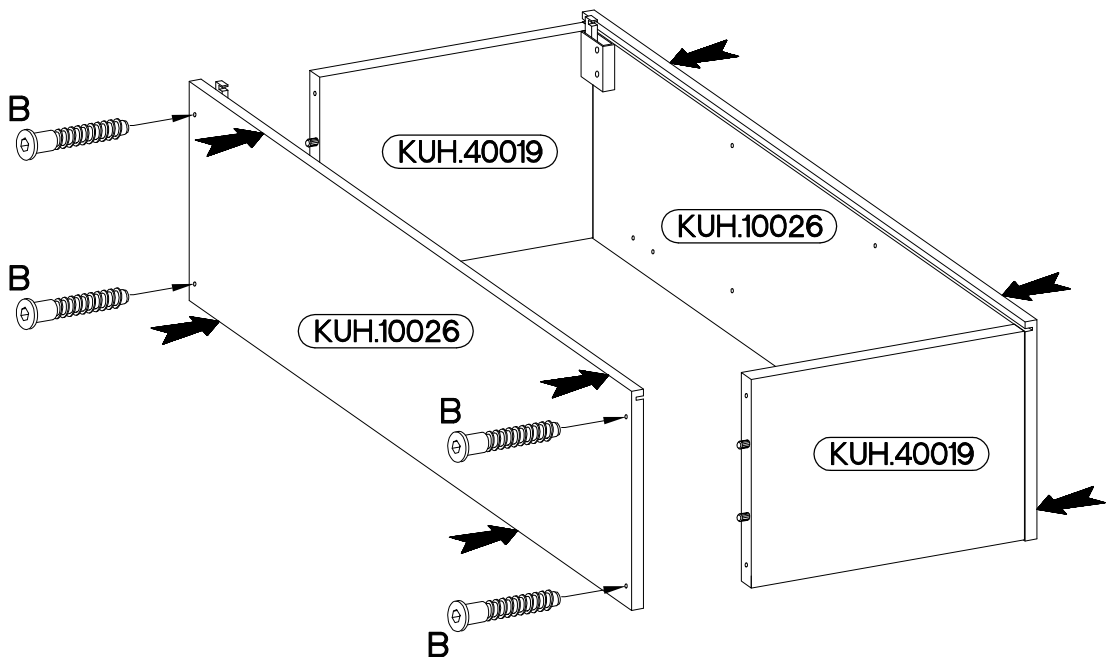


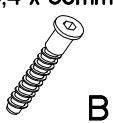


2

6,4 x 50mm		
		
B	O	E1
4	1	4

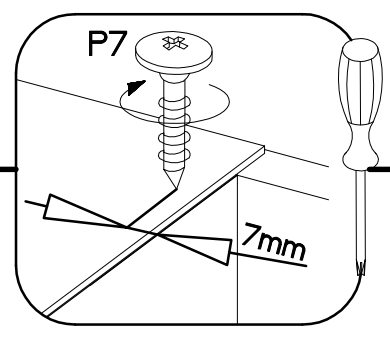
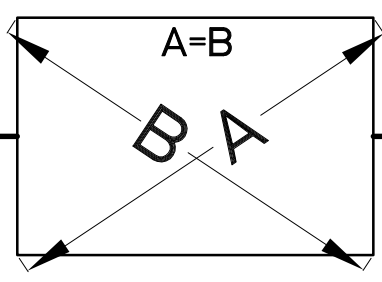
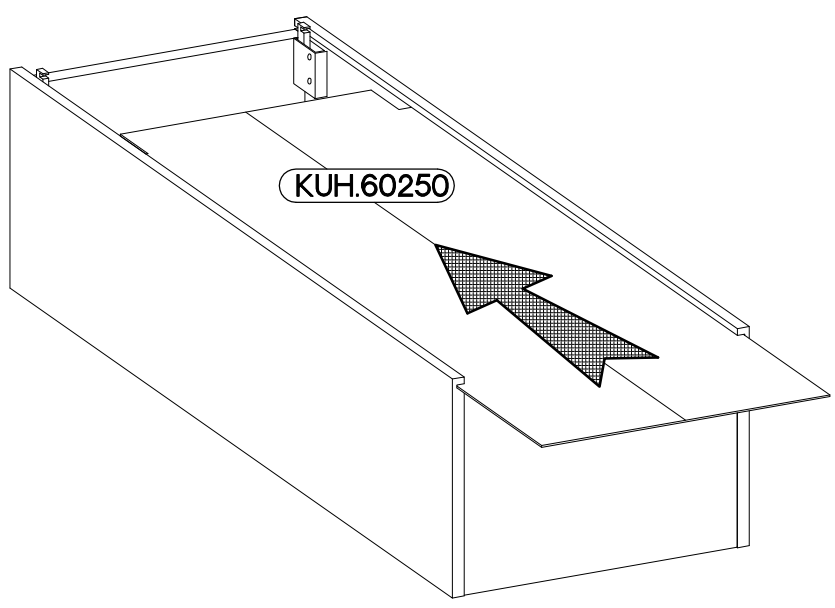
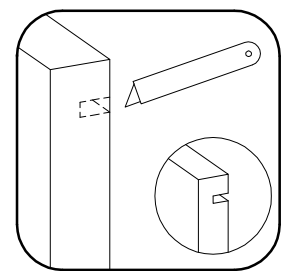
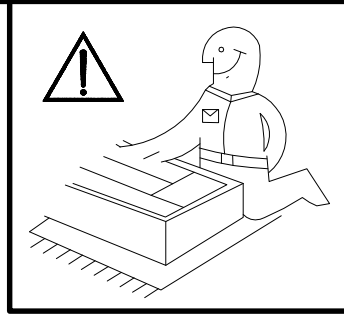


3




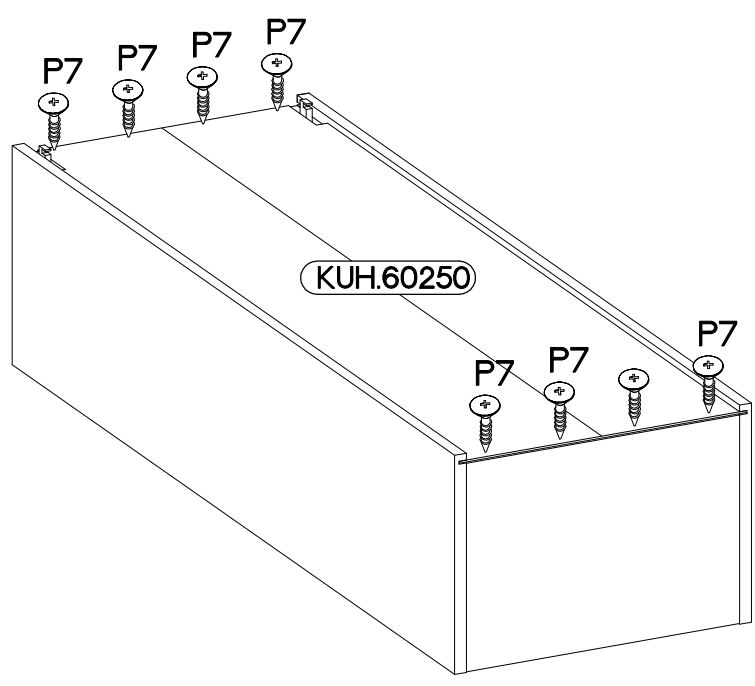
6,4 x 50mm		
		
B	O	E1
4	1	4

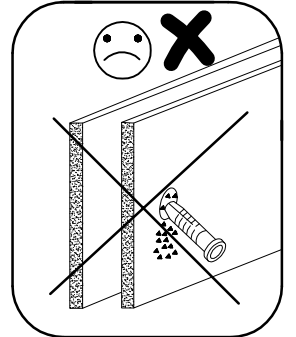
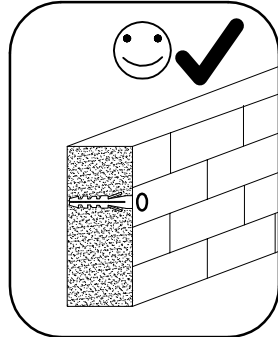
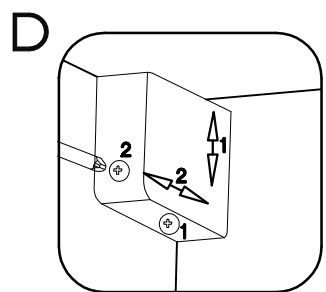
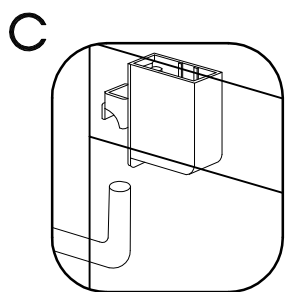
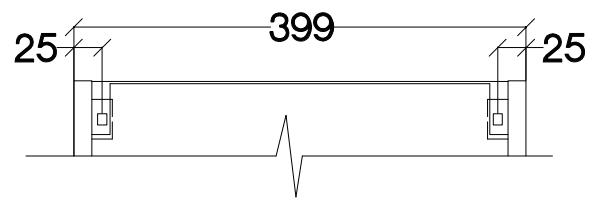
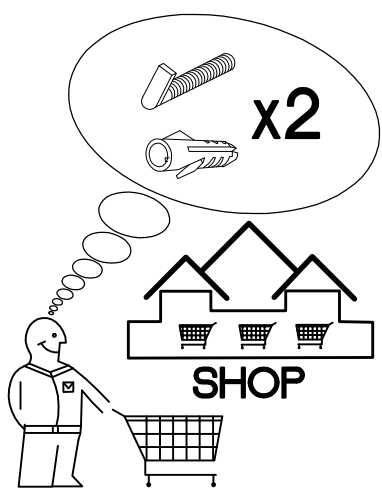
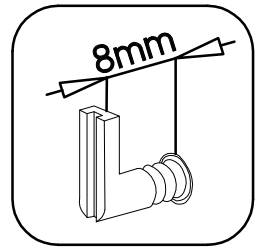
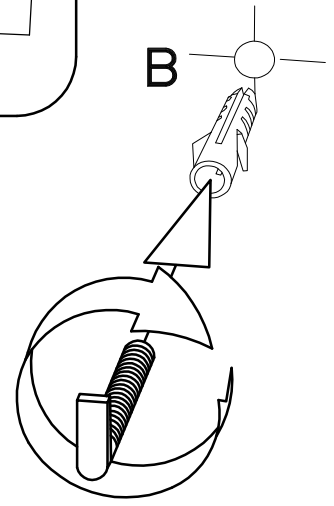
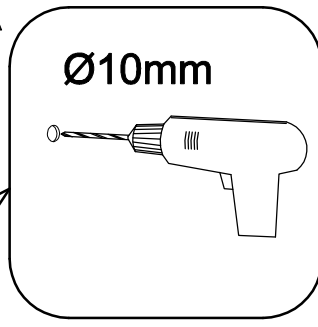
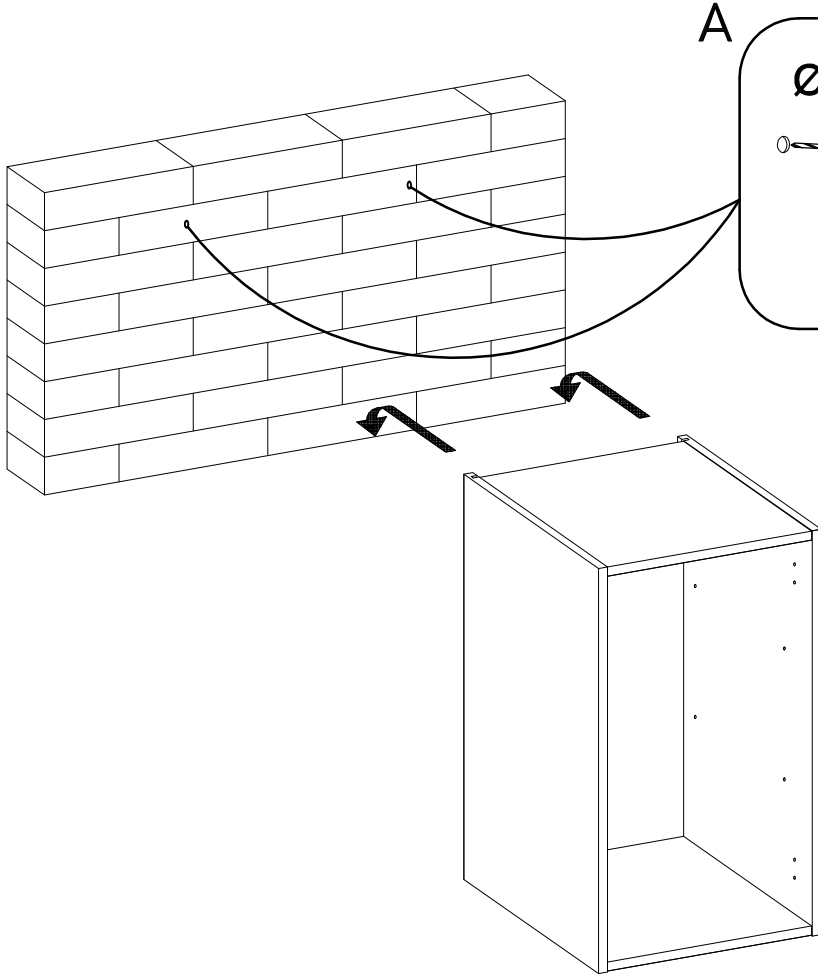
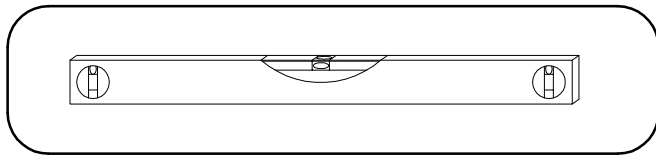
4



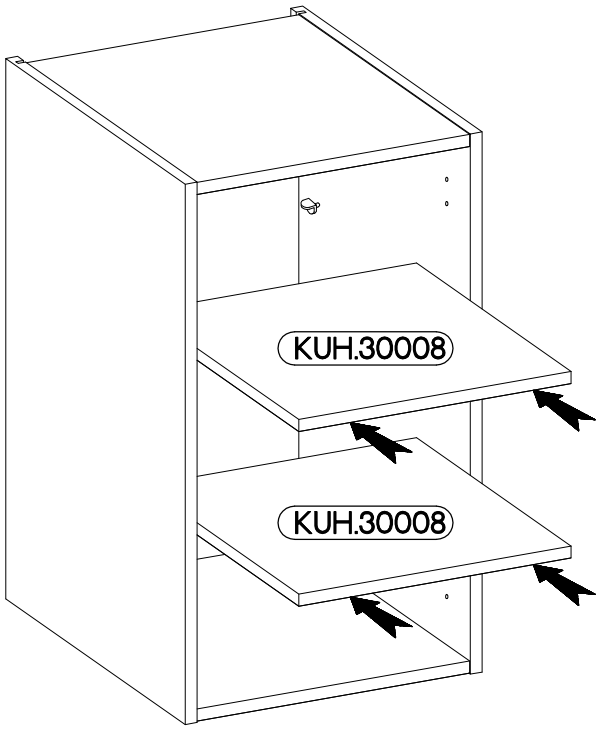
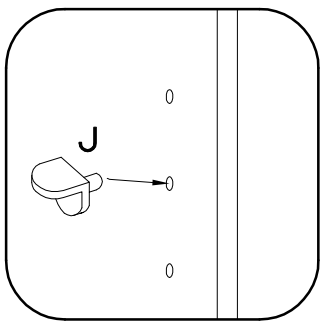
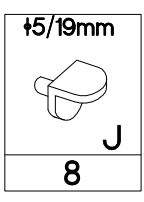
5

±3.0x20mm

 P7
 8-10



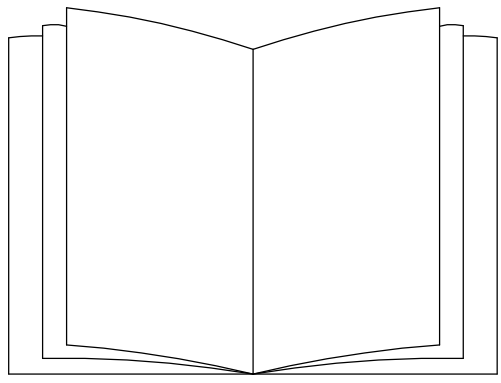
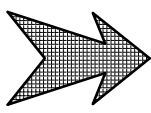
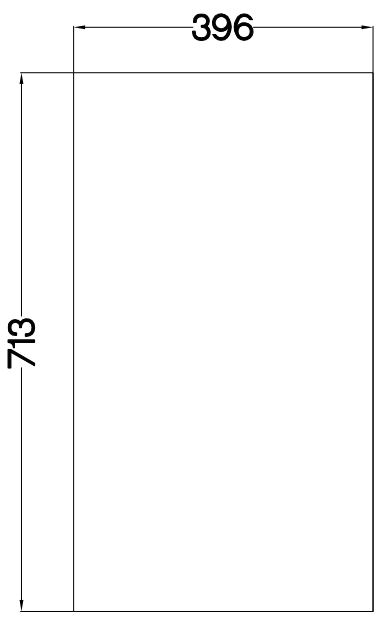


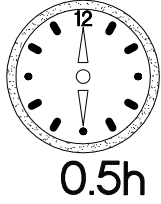
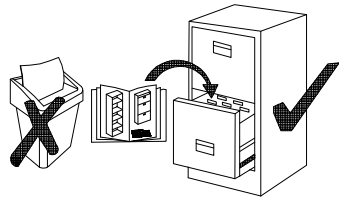
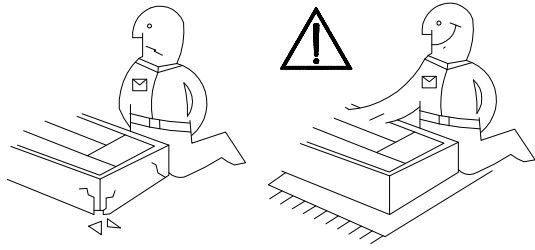
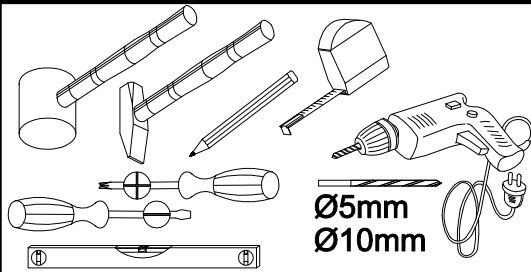
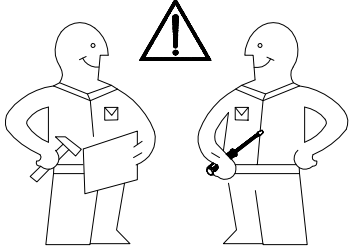
7



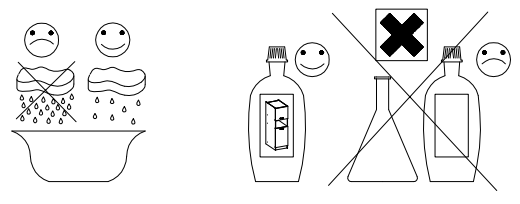
8

FRONT

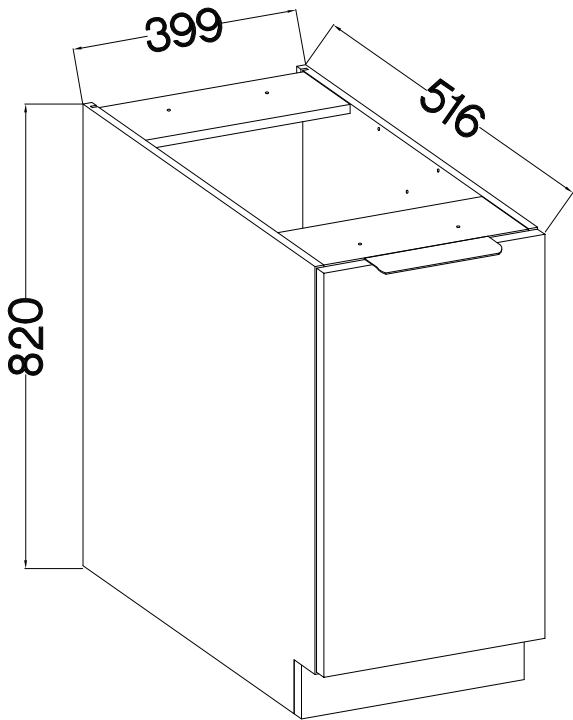




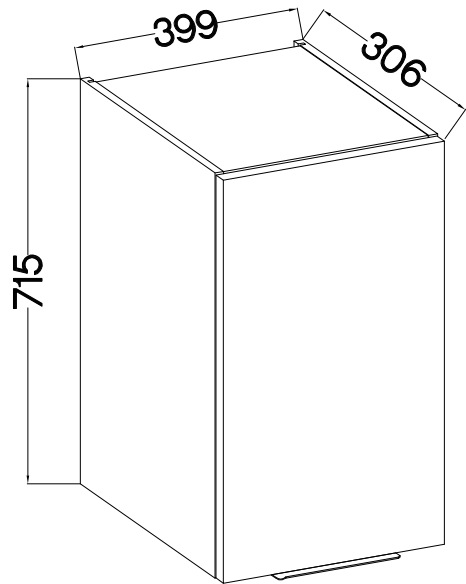
713x396
FRONT





40 D 1F BB



40 G-72 1F



KUH.71147

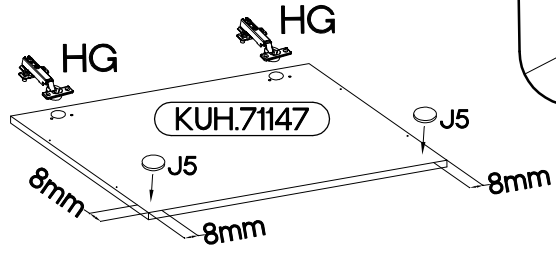
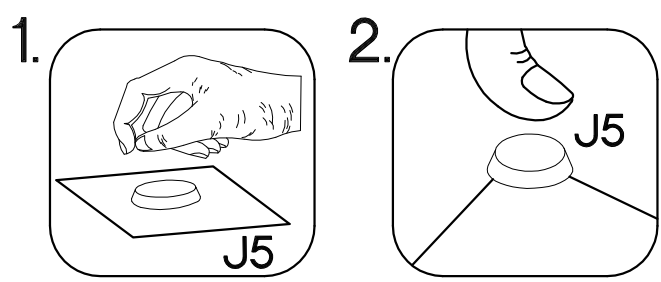
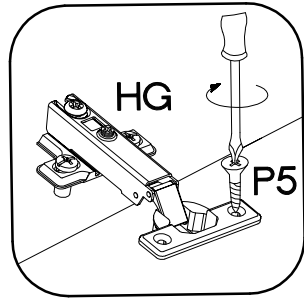
L=192mm	±7/2mm
	
S	J5
1	2

Ersatzteil Nummer	Dimension
KUH.71147	713x396x16

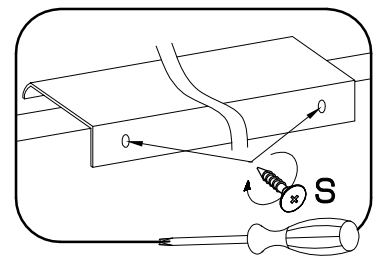
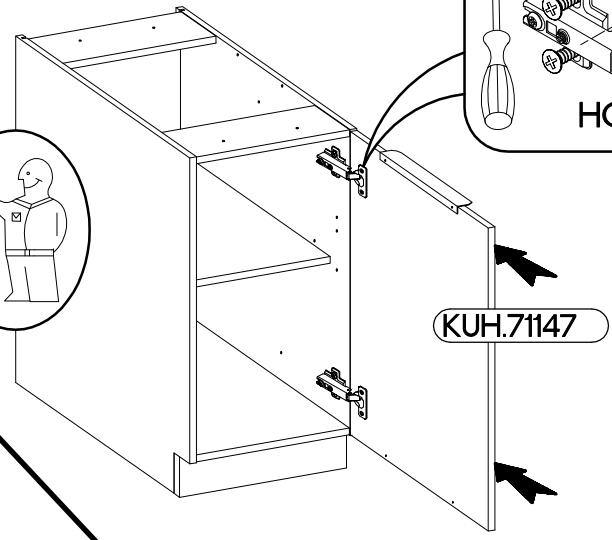
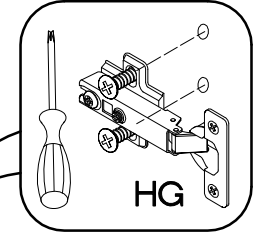
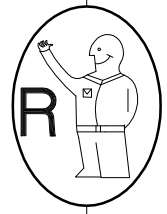
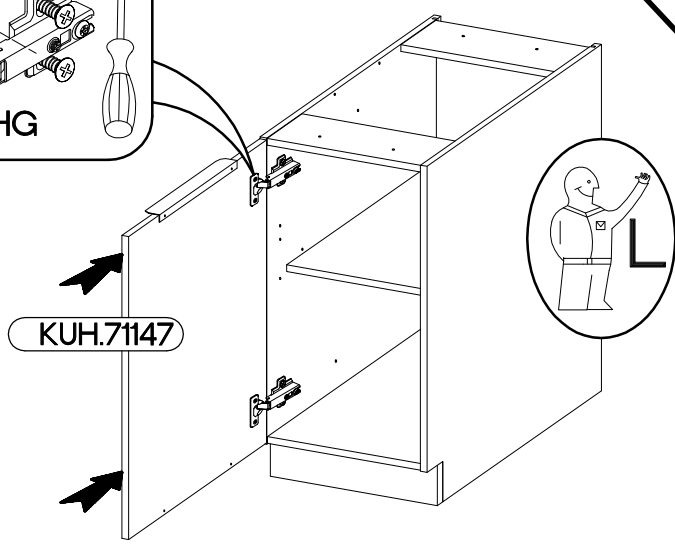
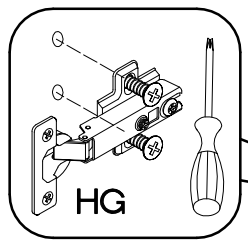
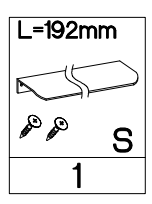
ISM-KUH-02030

1

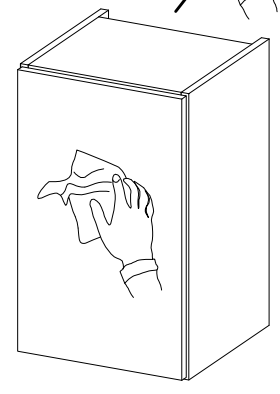
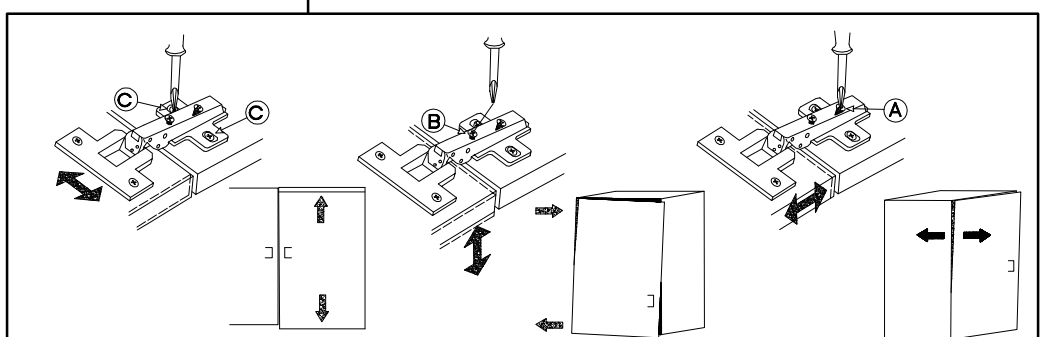
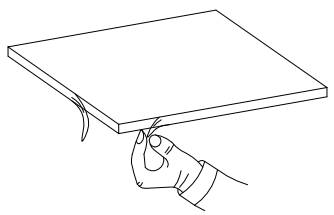
±35/0mm [CD] HG 2	±3.5x13mm P5 4	±7/2mm J5 2
-------------------------	----------------------	-------------------



2 40 D 1F BB



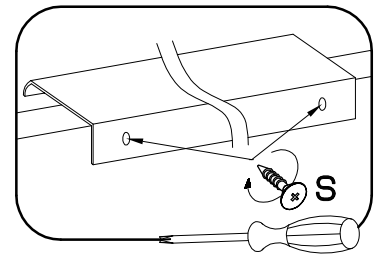
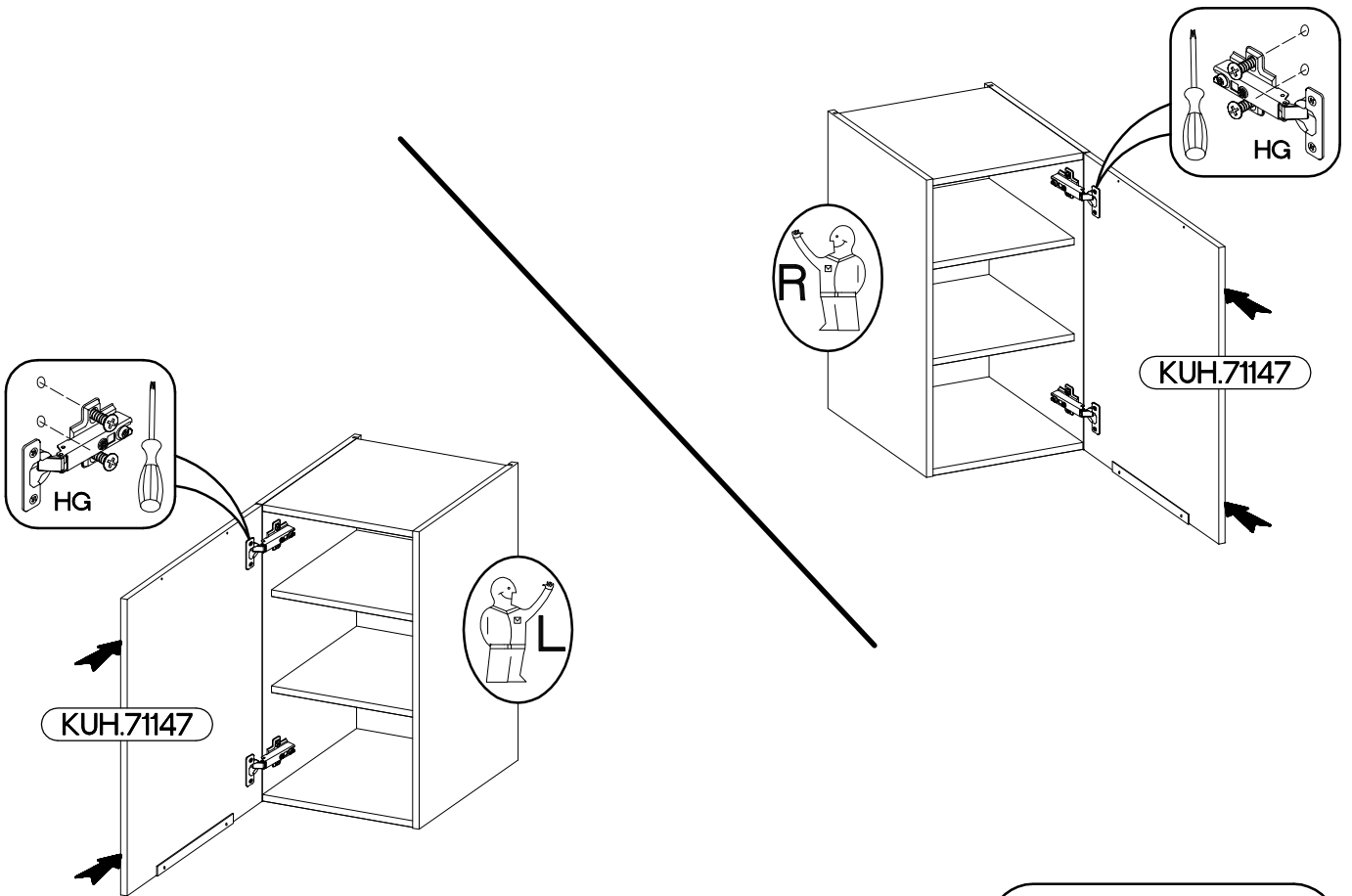
VARIANT HIGH GLOSS



L=192mm

S

1



VARIANT HIGH GLOSS

