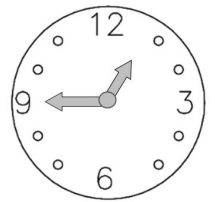
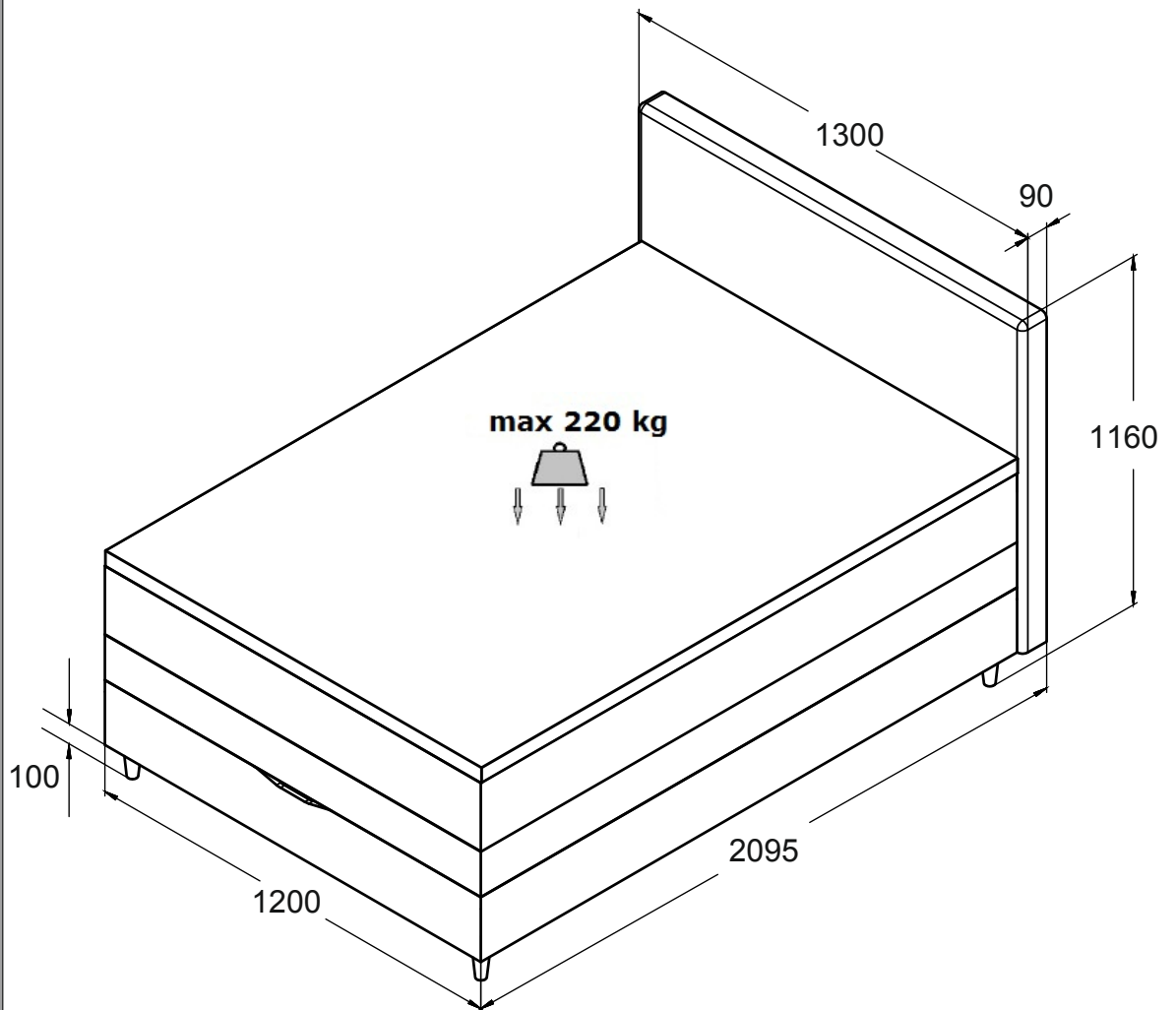


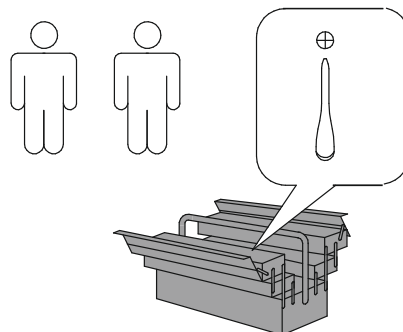
# MIAMI 1,2

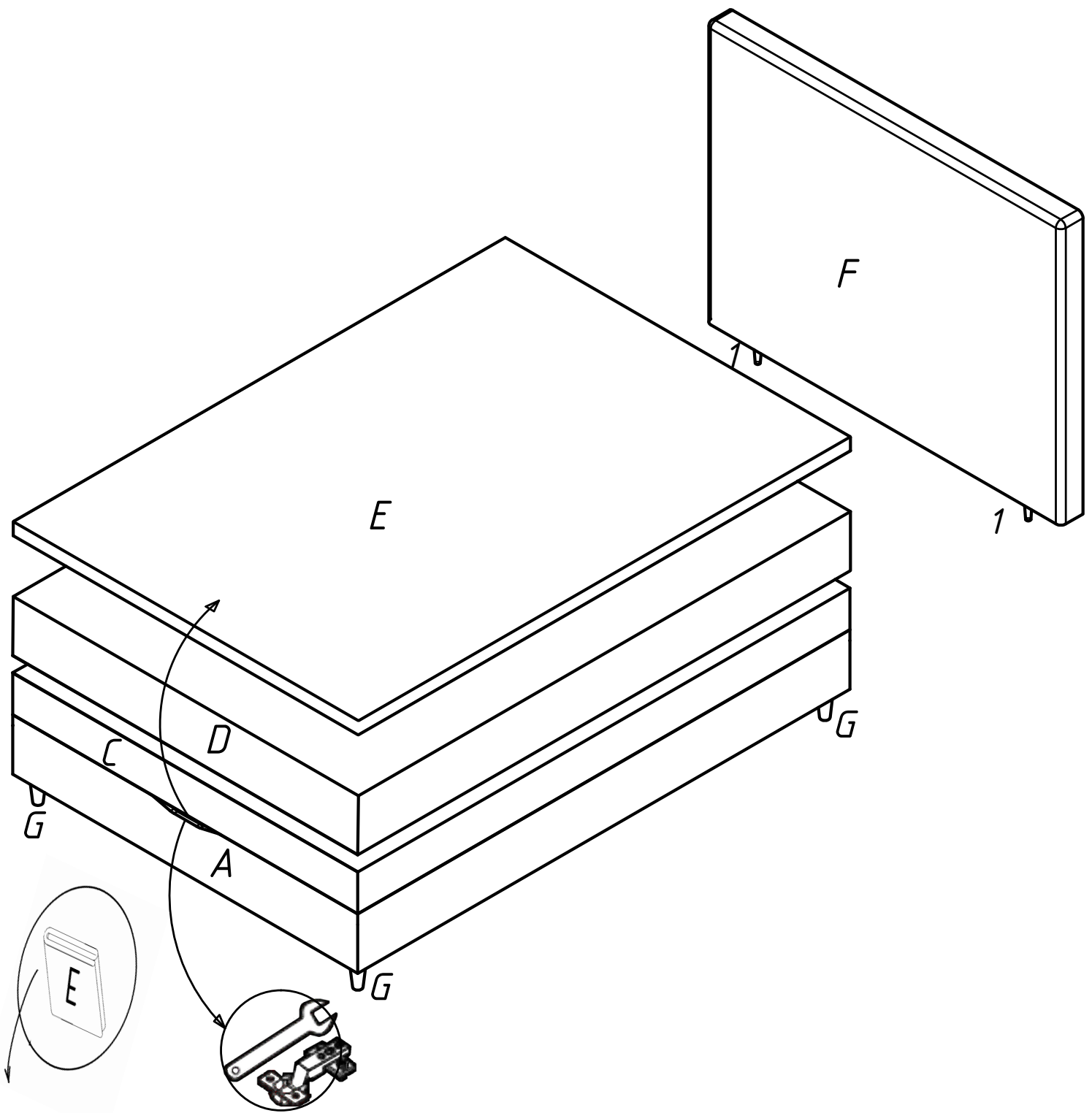


45min



- |    |                     |    |                     |
|----|---------------------|----|---------------------|
| DE | Montageanleitung    | HR | Upute za montažu    |
| SE | Installation manual | HU | Telepítési útmutató |
| CZ | Montážní návod      | SK | Inštalčná príručka  |
| EN | Installation manual | SI | Navodila za montažo |





		SIZE (mm)	QUAN	Nº PACK
1	<b>A</b>	2000x1200x220	1	1/3
2	<b>C</b>	2000x1200x120	1	1/3
3	<b>G</b>		4	1/3
4	<b>E</b>	2000x1200x40	1	1/3
5	<b>D</b>	2000x1200x170	1	2/3
6	<b>F</b>	1300x1060x90	1	3/3

