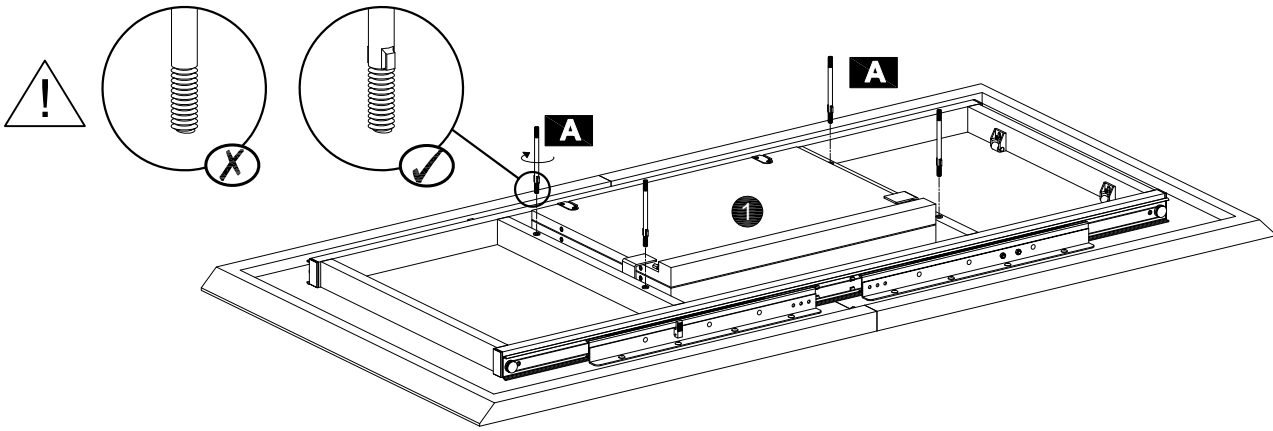


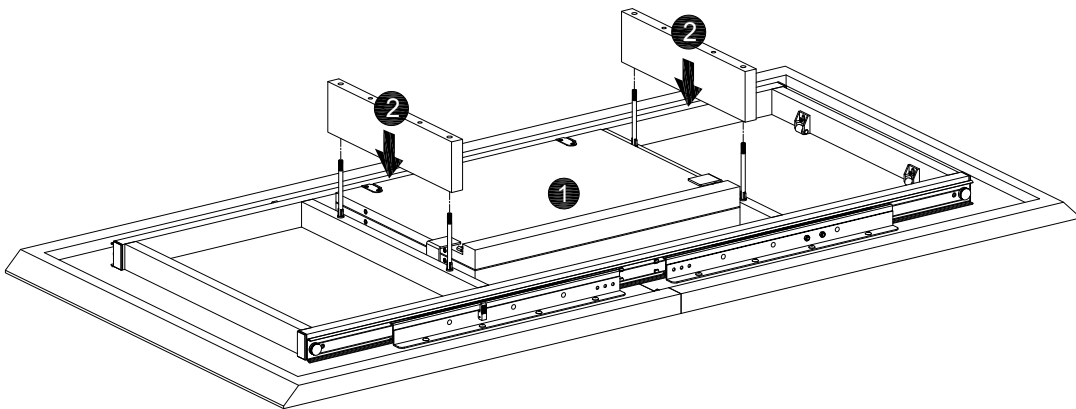
Assembly Instruction

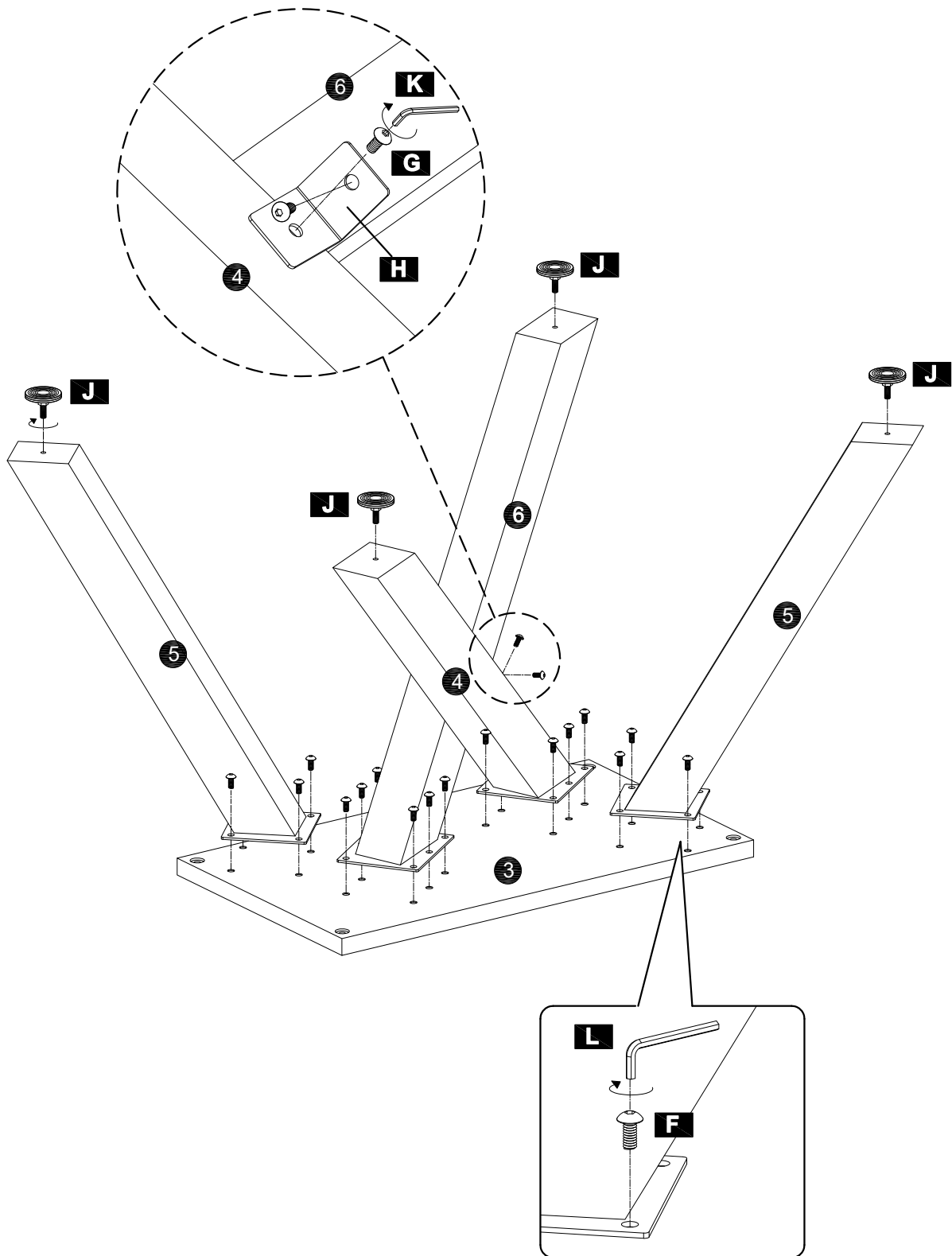


1

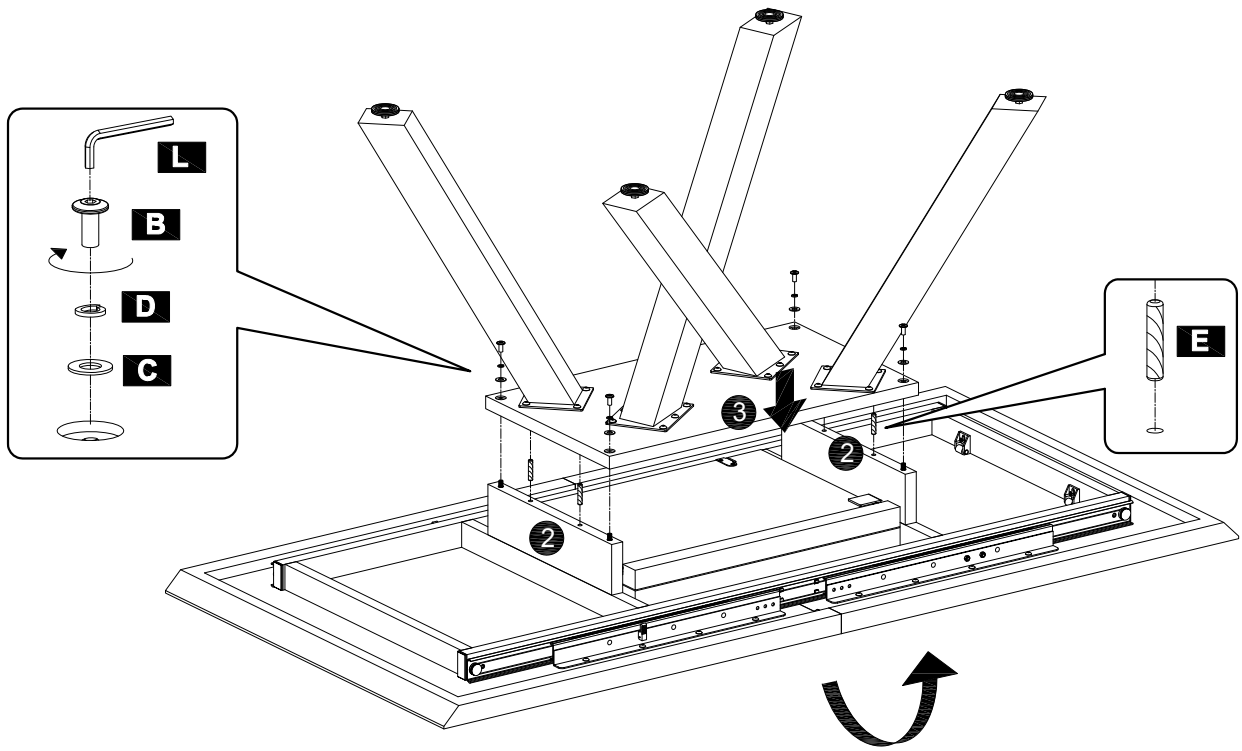


2





4



5

