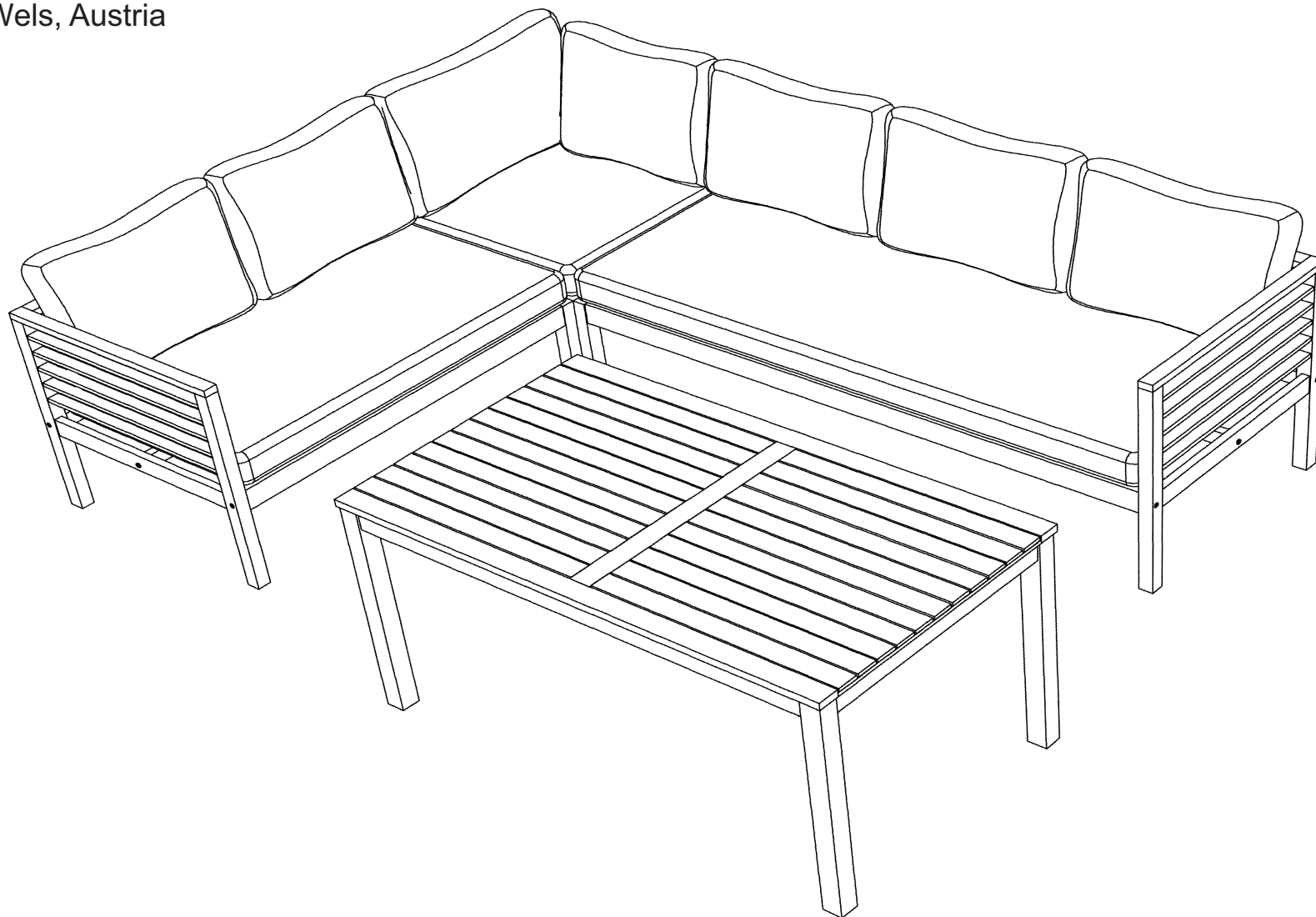
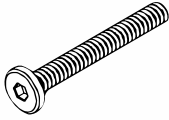

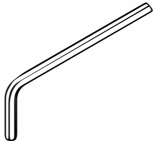


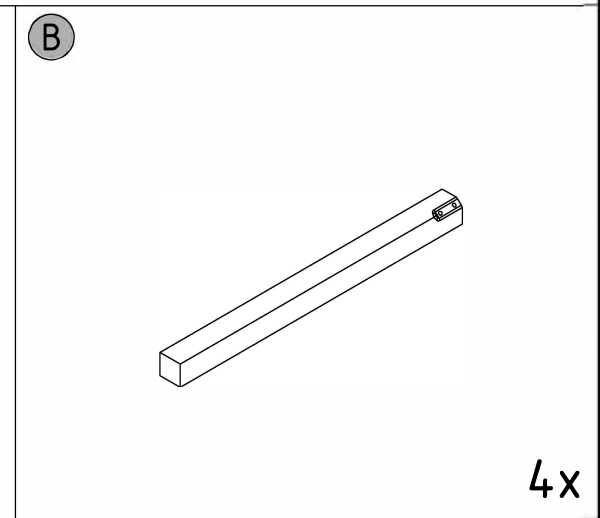
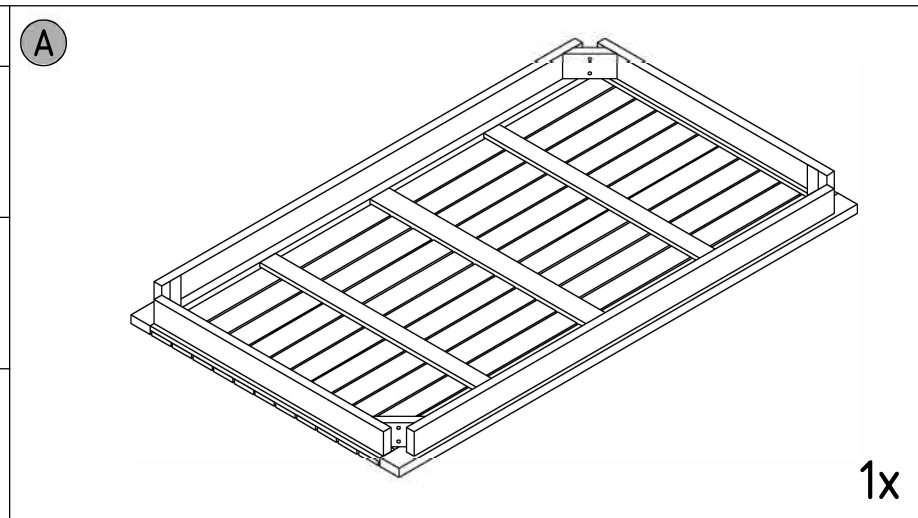
ASSEMBLY INSTRUCTIONS: 12540055-01

möma X

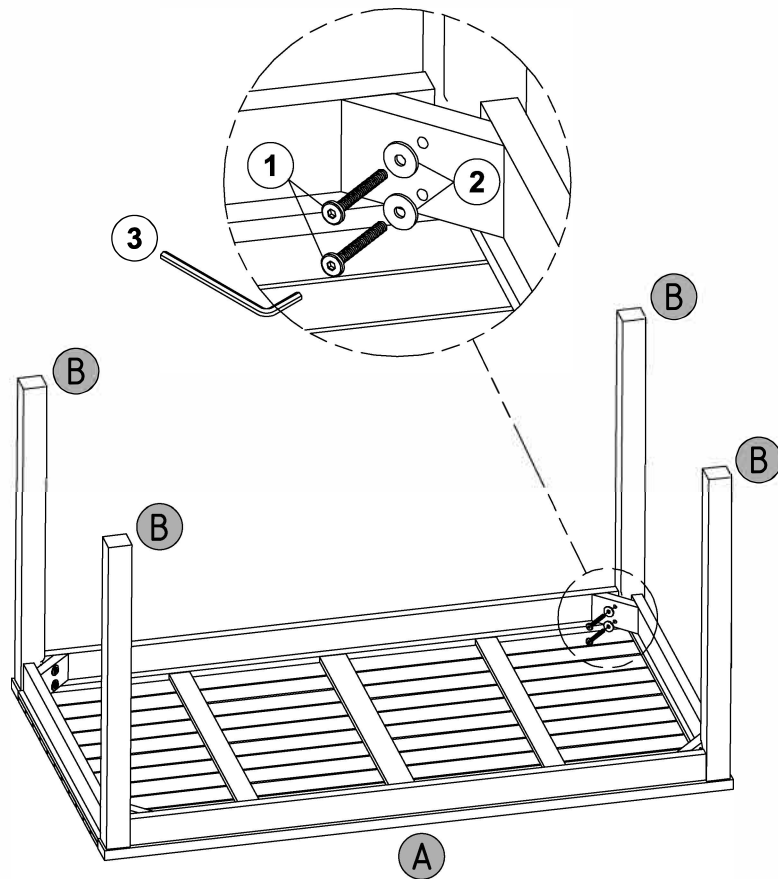
XXXLutz KG
Roemerstrasse 39
AT-4600 Wels, Austria



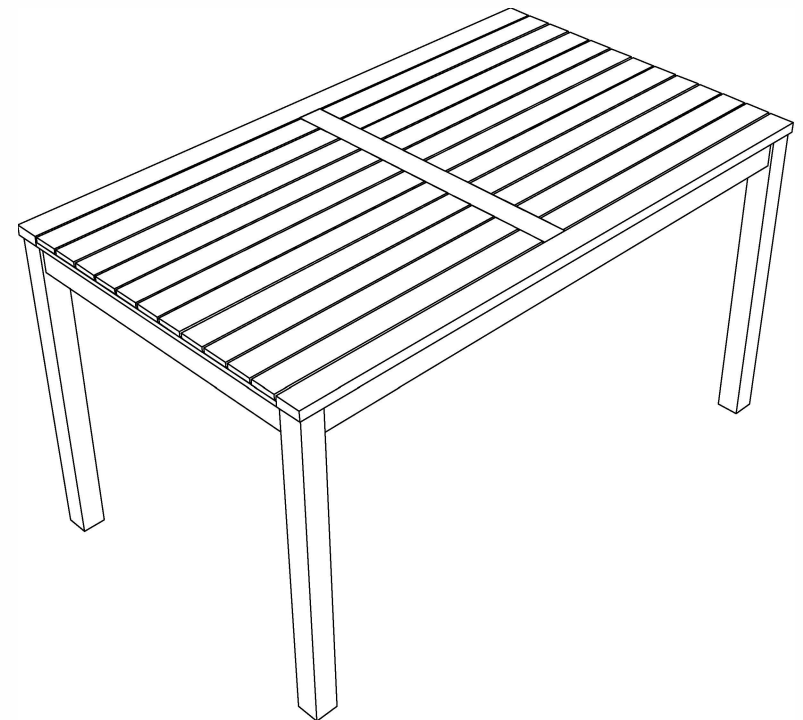
No	Name of Hardware	Fig	Q.ty
1	Botl M6x50		8
2	Washer 6x20x2		8
3	Allen Key		1

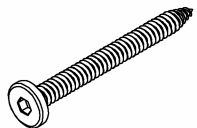
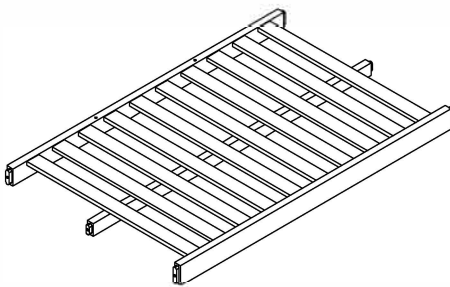
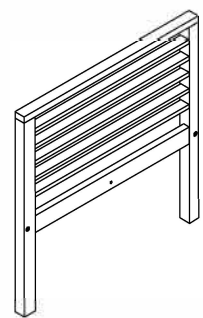
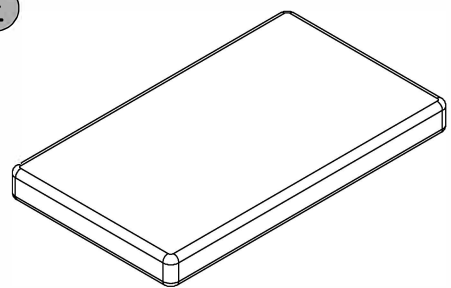


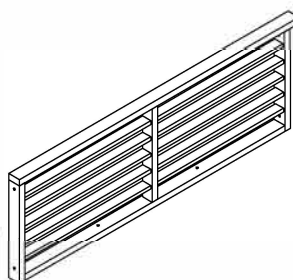
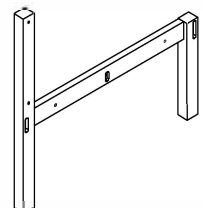
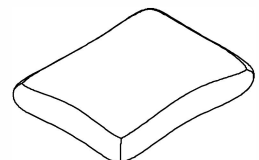
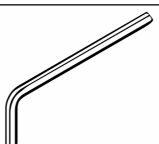


Step 1:

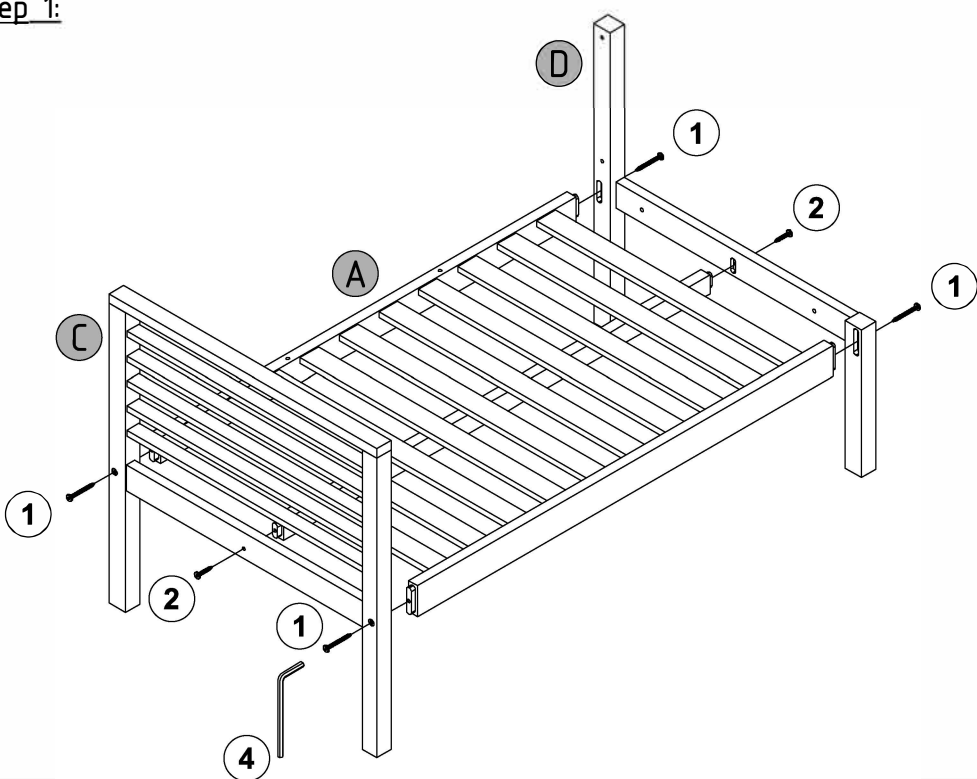


Step 2:

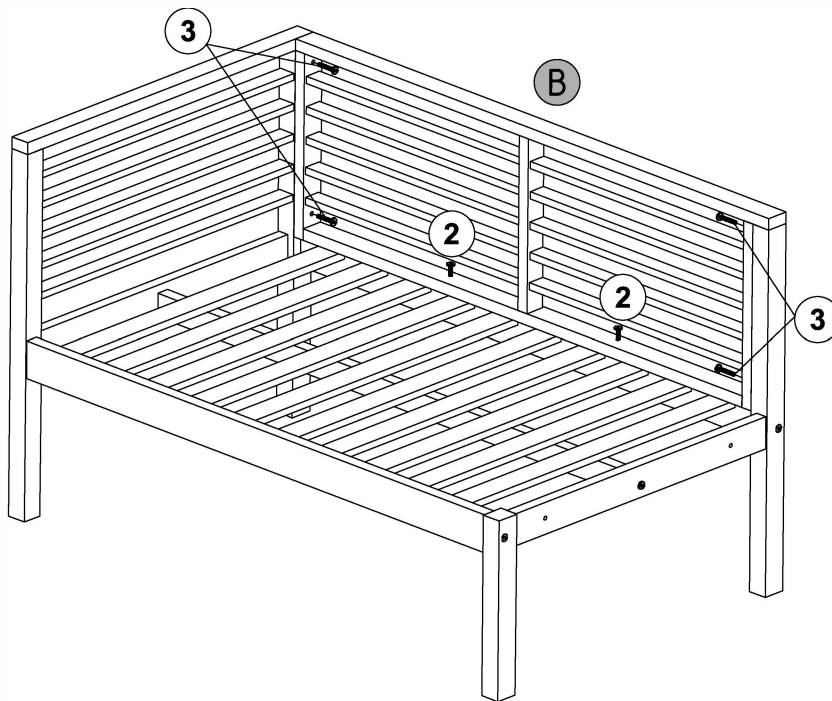


No	Name of Hardware	Fig	Q.ty	A	C	E
1	Screws M6x60		4			
2	Screws M6x35		4			
3	Botl M6x35		4			
4	Allen Key		1			

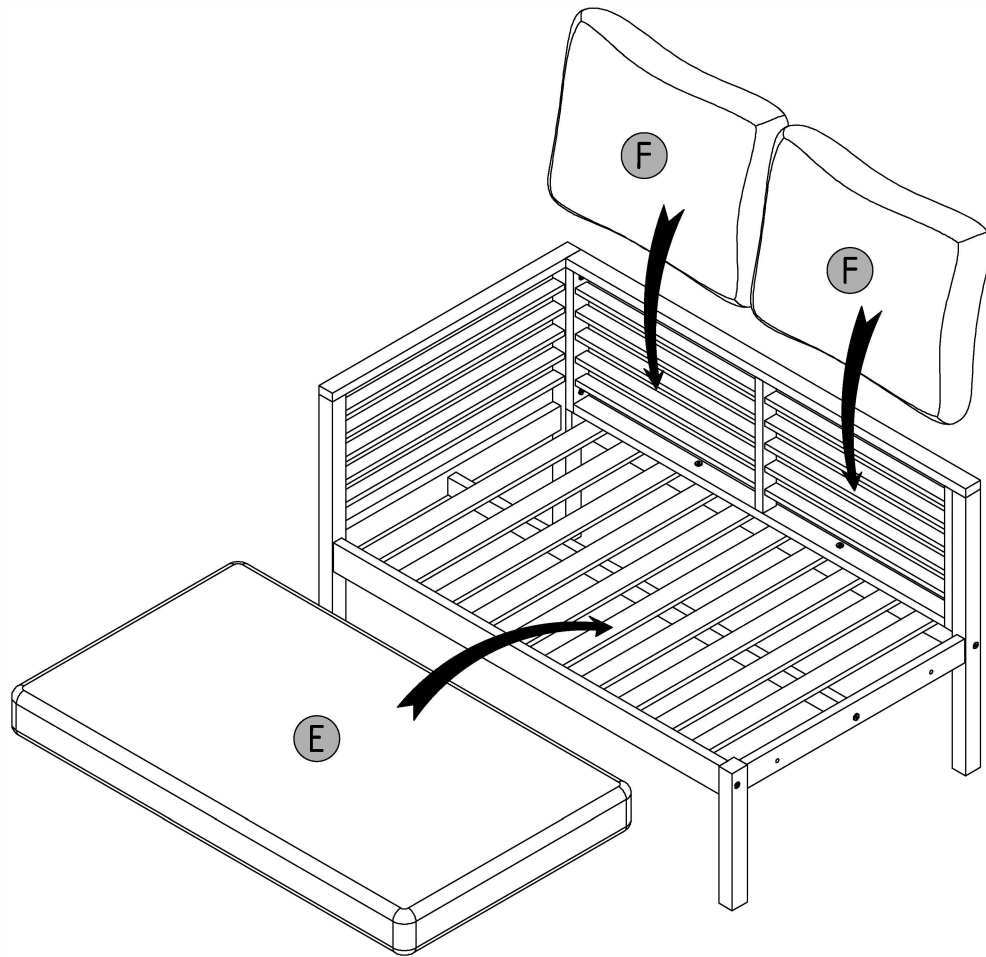
Step 1:



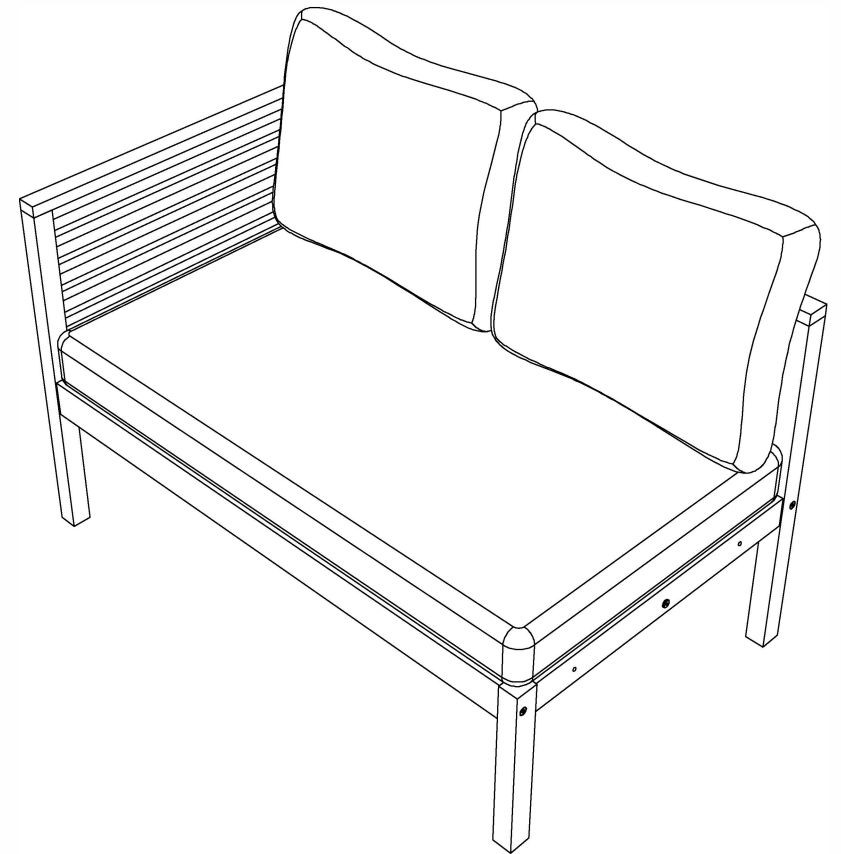
Step 2:



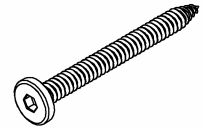
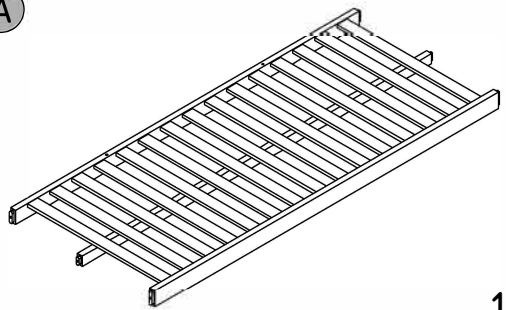
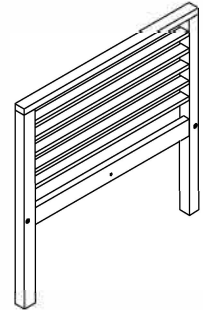
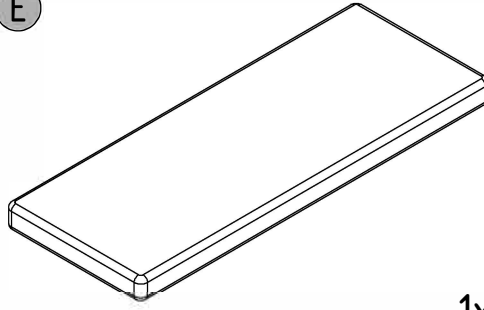

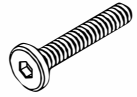
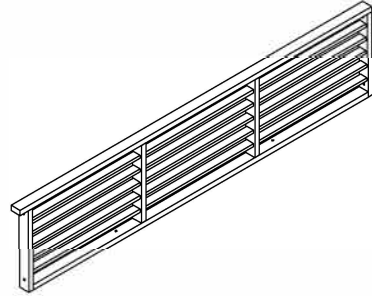
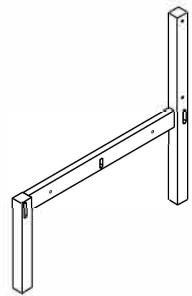
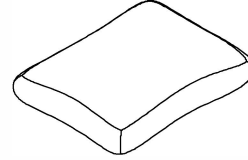
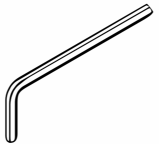
Step 3:

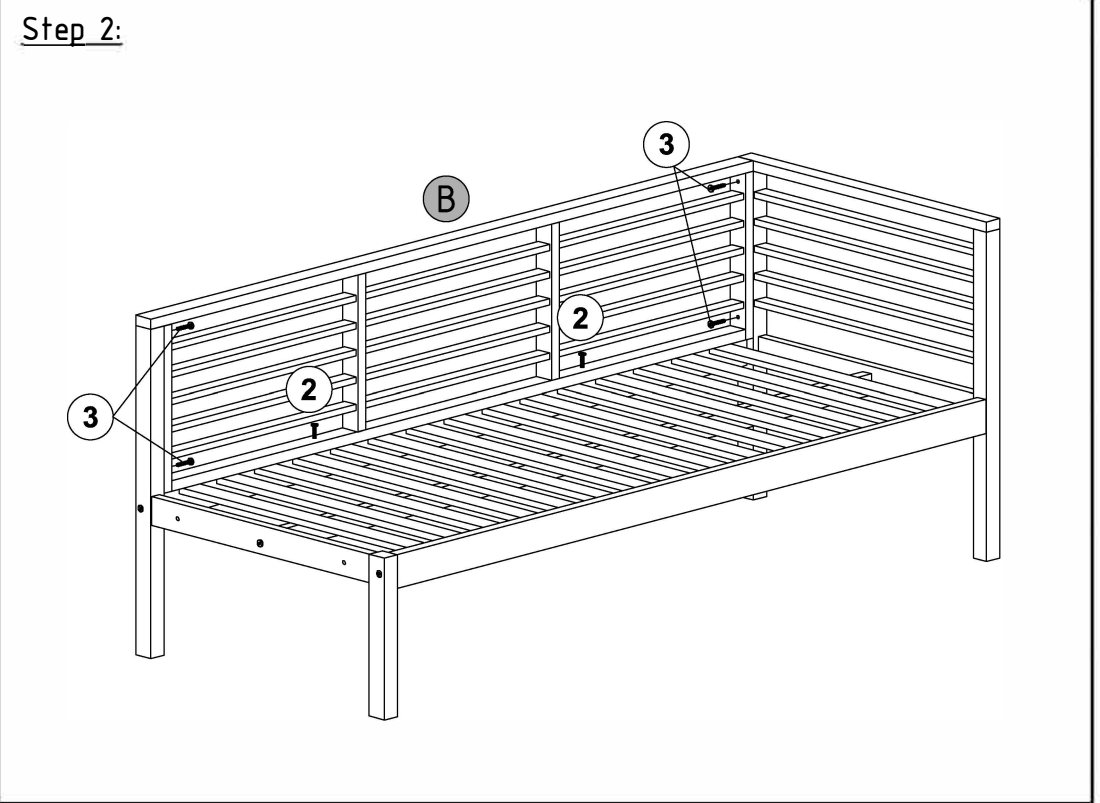
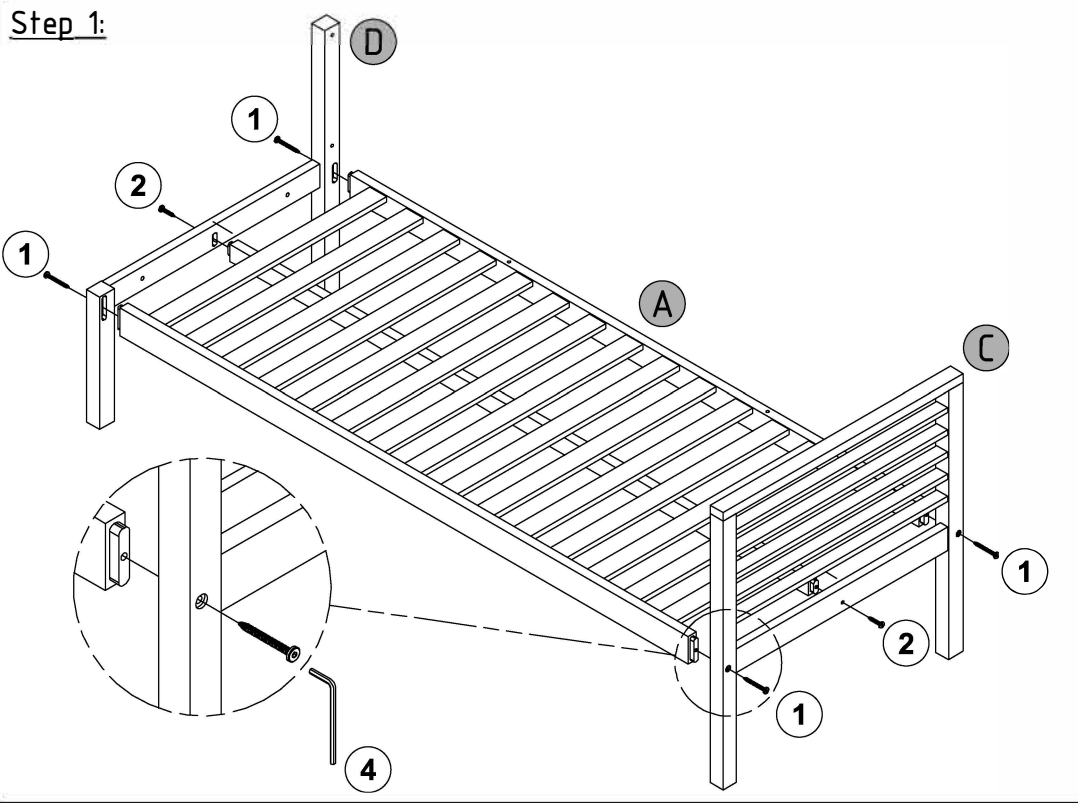


Step 4:

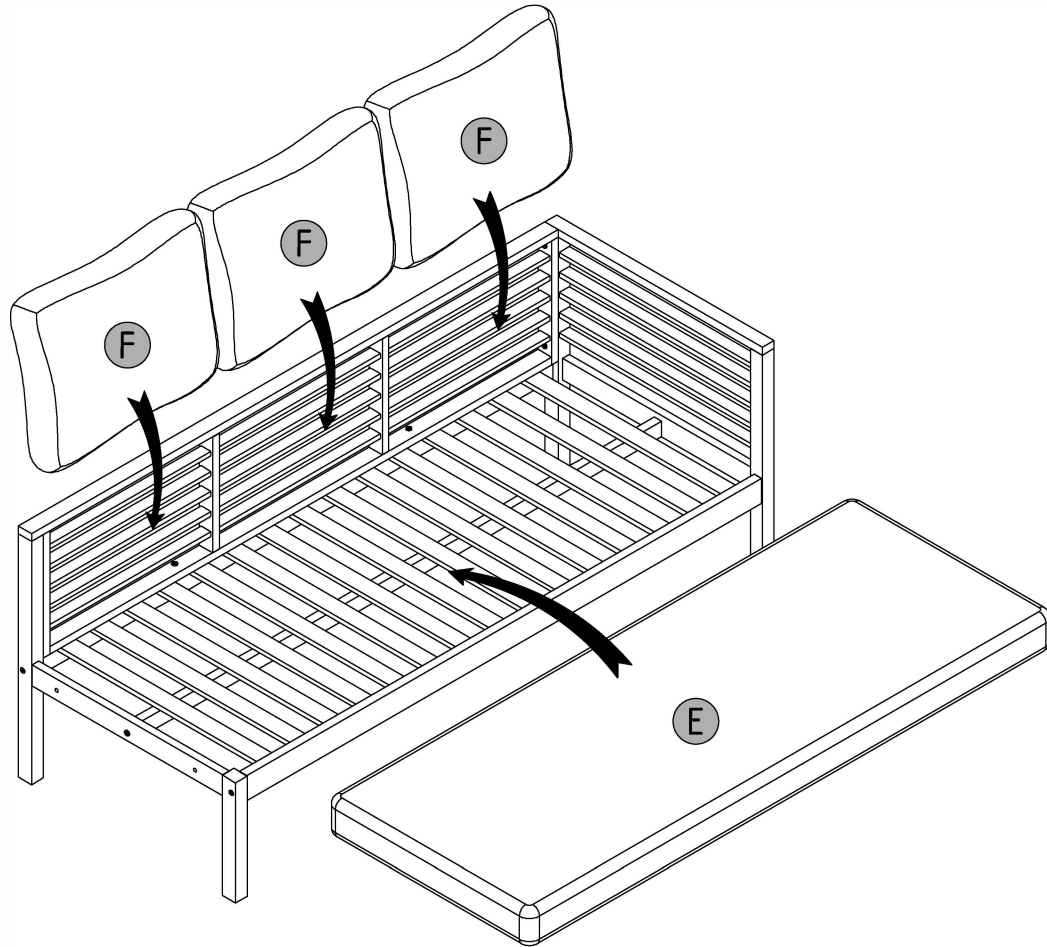


ASSEMBLY INSTRUCTIONS: 12540055-01

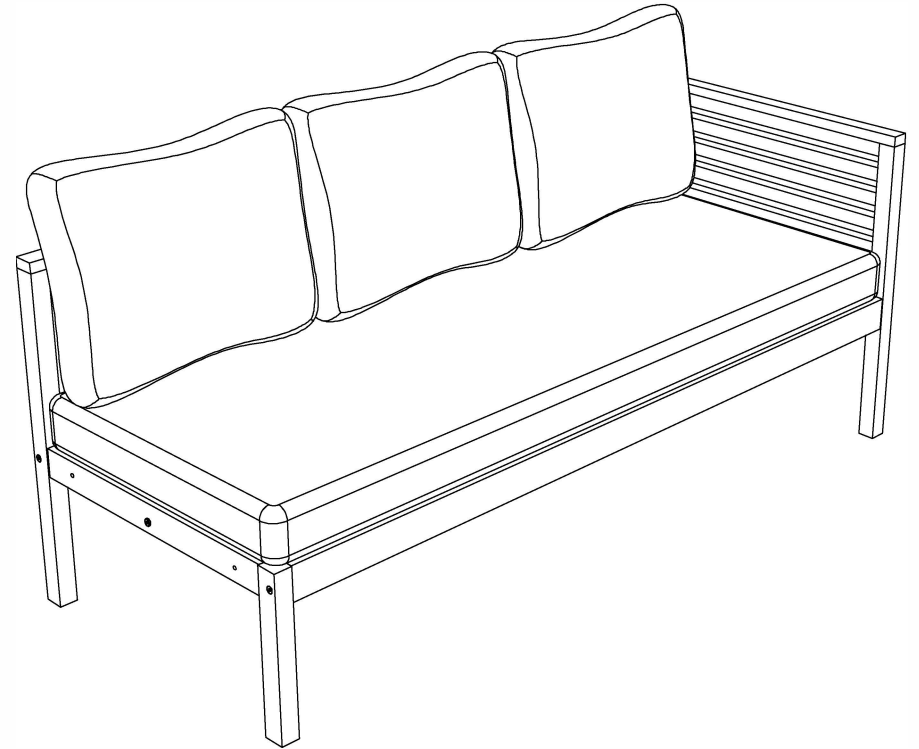
No	Name of Hardware	Fig	Q.ty	A	C	E
1	Screws M6x60		4			
2	Screws M6x35		4			
3	Botl M6x35		4			
4	Allen Key		1			

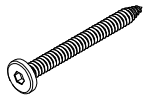
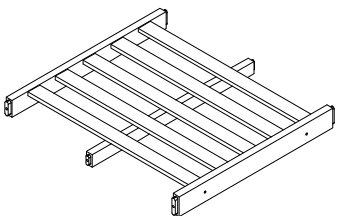
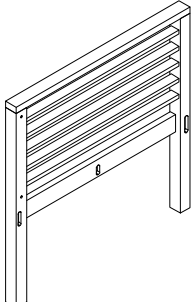
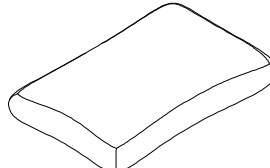


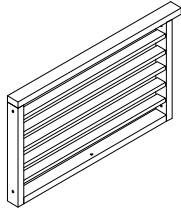
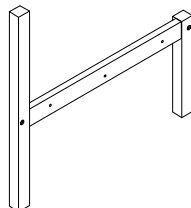
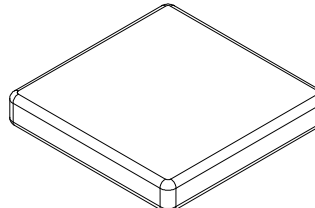
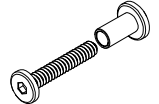
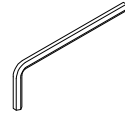


Step 3:

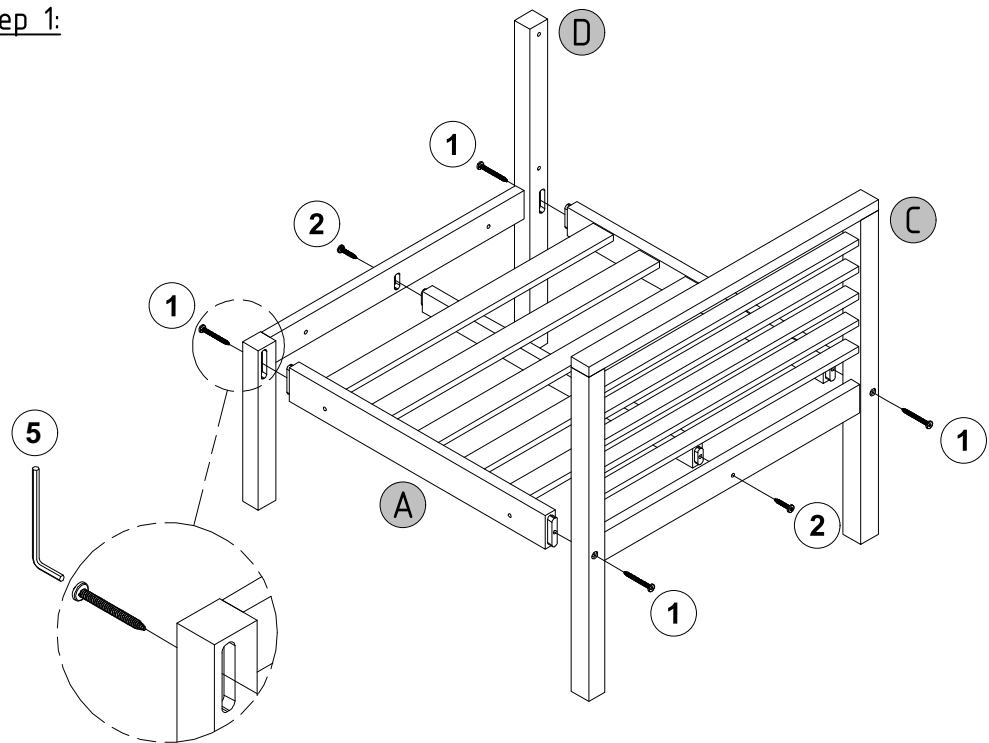


Step 4:

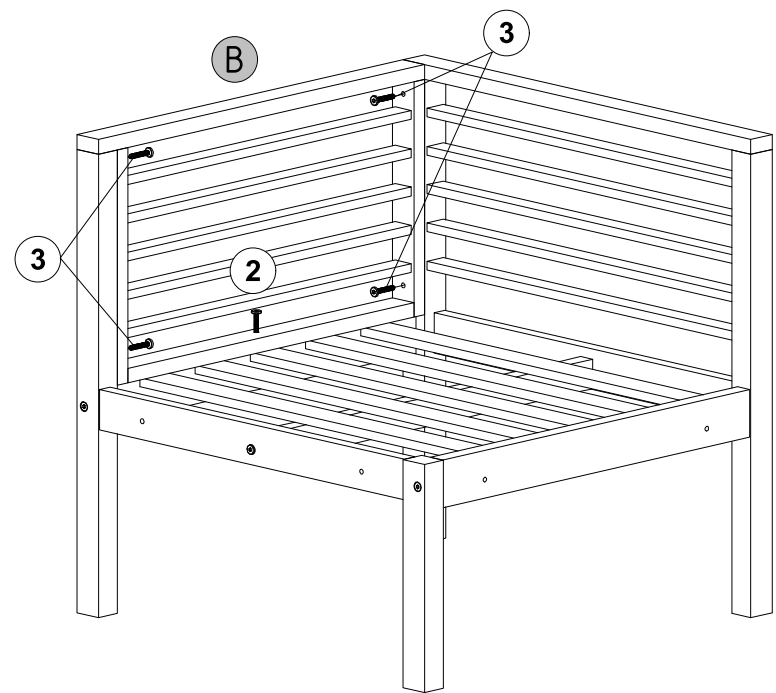


No	Name of Hardware	Fig	Q.ty	(A)	(C)	(E)
①	Screws M6x60		4			
②	Screws M6x35		3			1x
③	Botl M6x35		4			
④	Botl M6x40		4			1x
⑤	Allen Key		1			

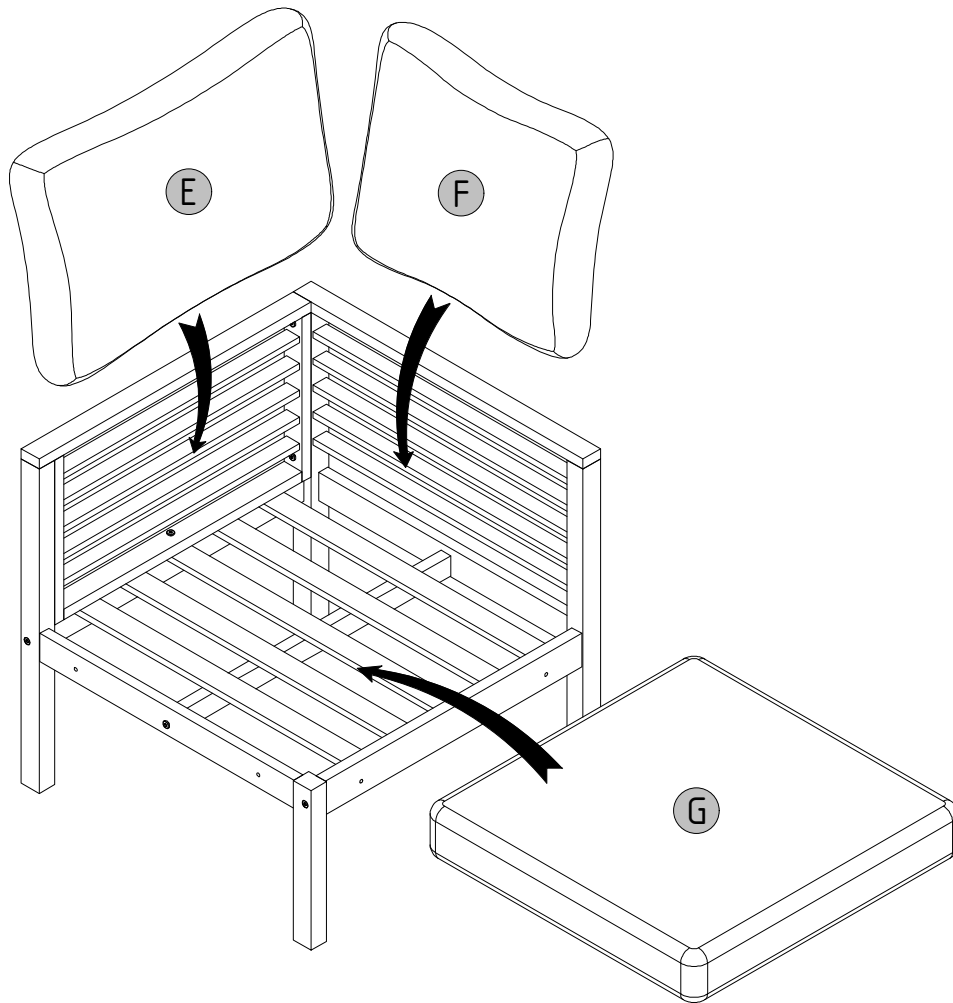
Step 1:



Step 2:



Step 3:



Step 4:

