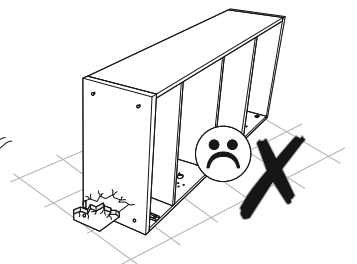
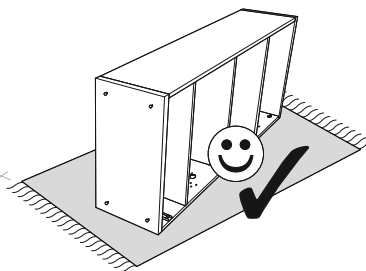
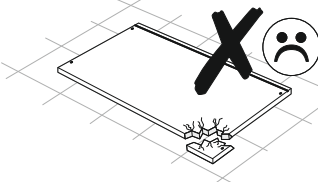
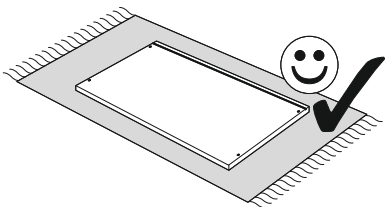
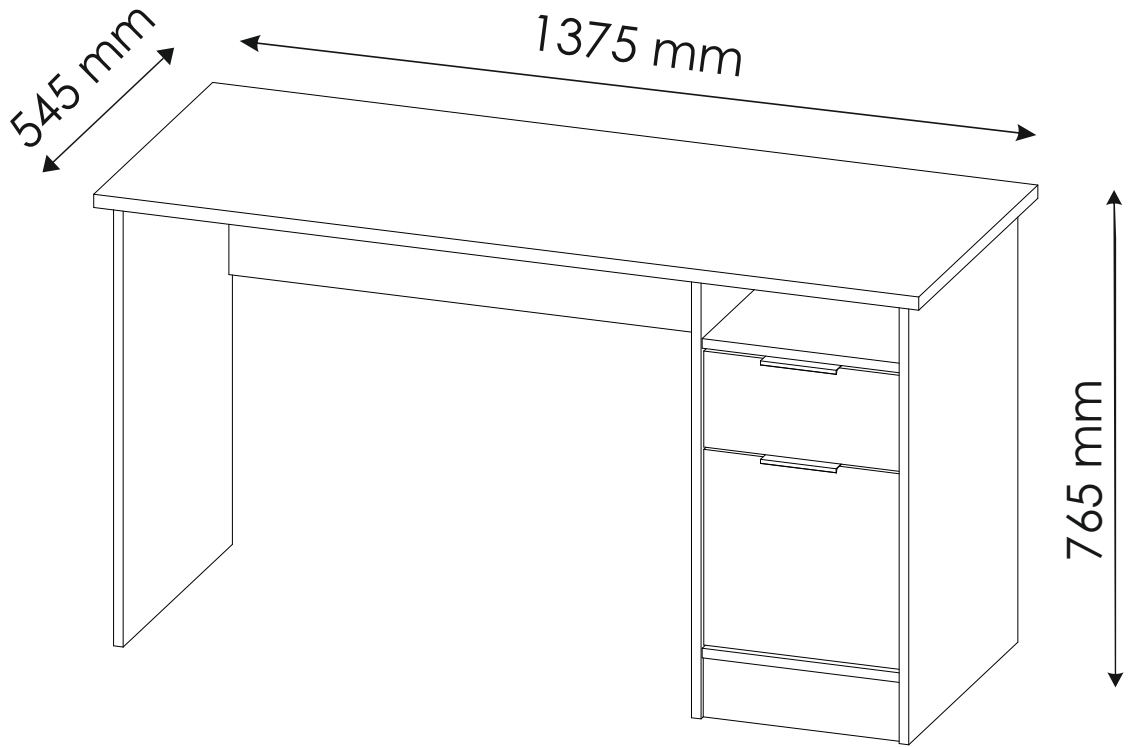
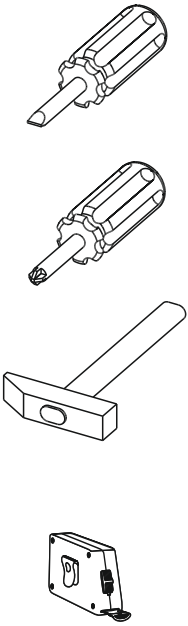
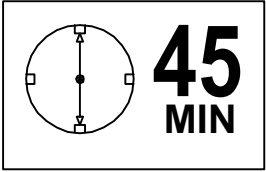
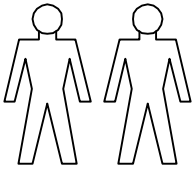


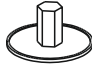







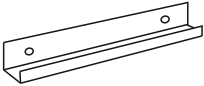

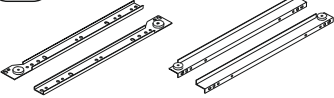
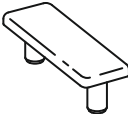
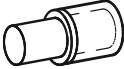



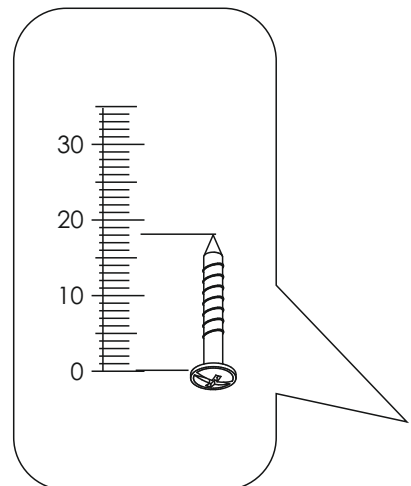
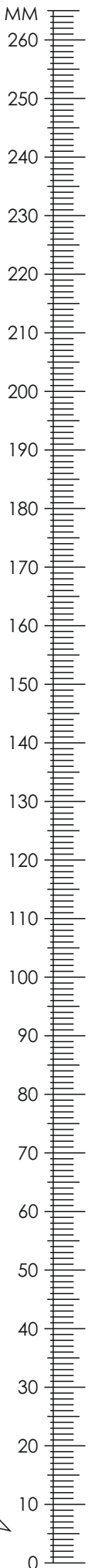



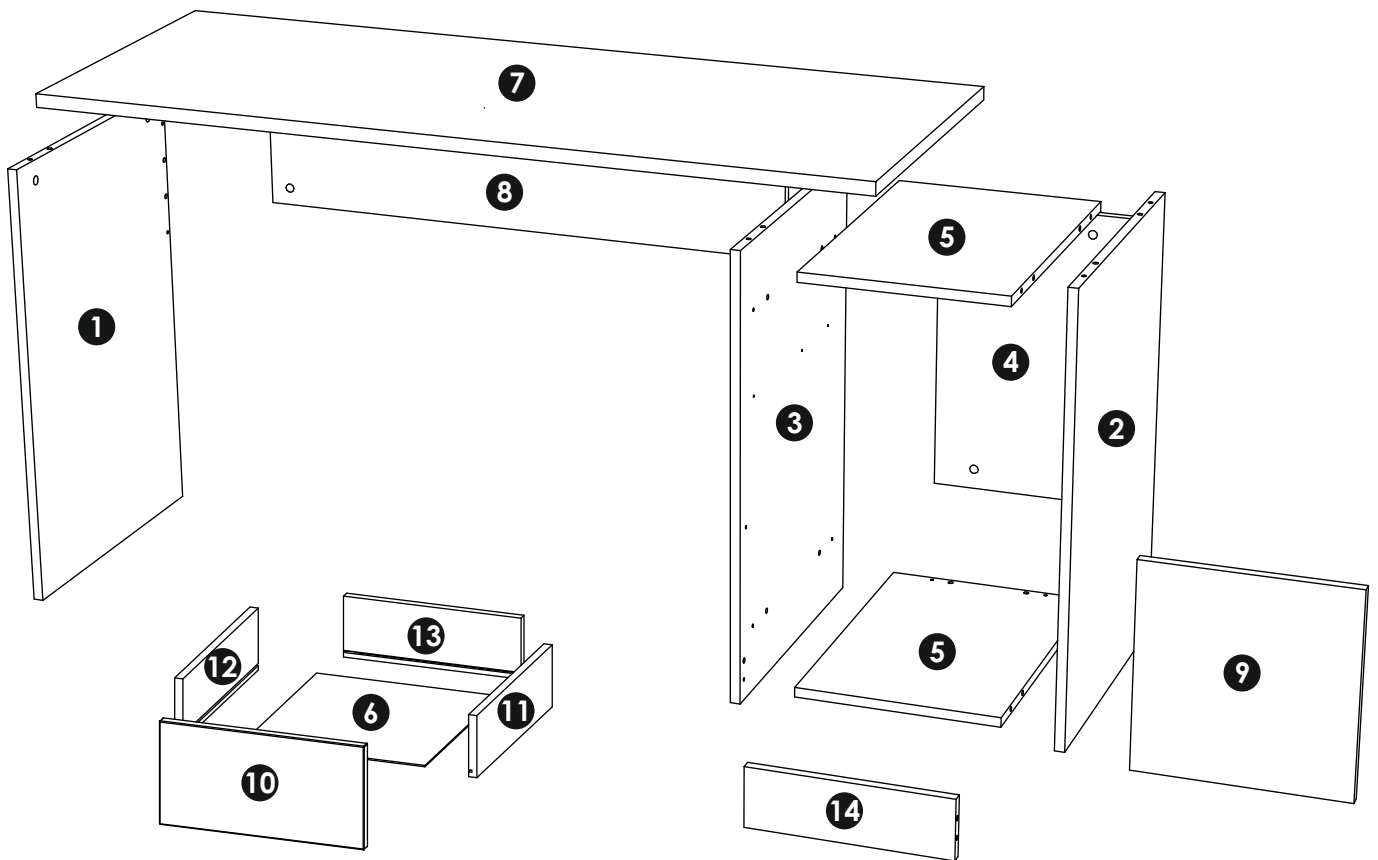
SCHREIBTISCH STUDENT 2

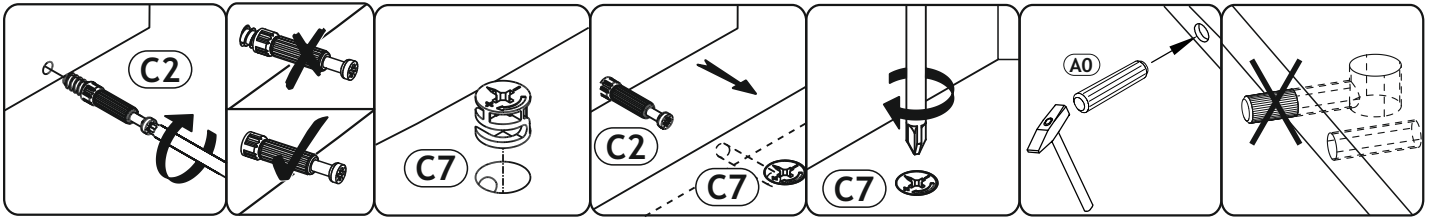


A0 8 x 30mm x30 	B1 f 7 x 50 mm x2 	C0 x18 
C2 x28 	C7 16mm x28 	D0 3 x 15 mm x6 
D5 3.5 x 16 mm x8 	D8 4,2 x 13 mm x4 	D10 4 x 16 mm x4 
D21 5 x 13 mm x8 	L11 x2 	M1 x6 
N3 L-450 x1 	T4 x6 	Q4 x1 
J6 x2 	J4 x2 	K 4mm x1 



1	735	500	16	1	1/2
2	735	500	16	1	1/2
3	735	500	16	1	1/2
4	500	330	16	1	1/2
5	495	330	16	2	1/2
6	444	282	3	1	1/2
7	1375	545	22	1	2/2
8	947	280	16	1	2/2
9	326	326	16	1	2/2
10	326	160	16	1	2/2
11	450	120	16	1	2/2
12	450	120	16	1	2/2
13	274	115	16	1	2/2
14	330	100	16	1	2/2
15					1/2

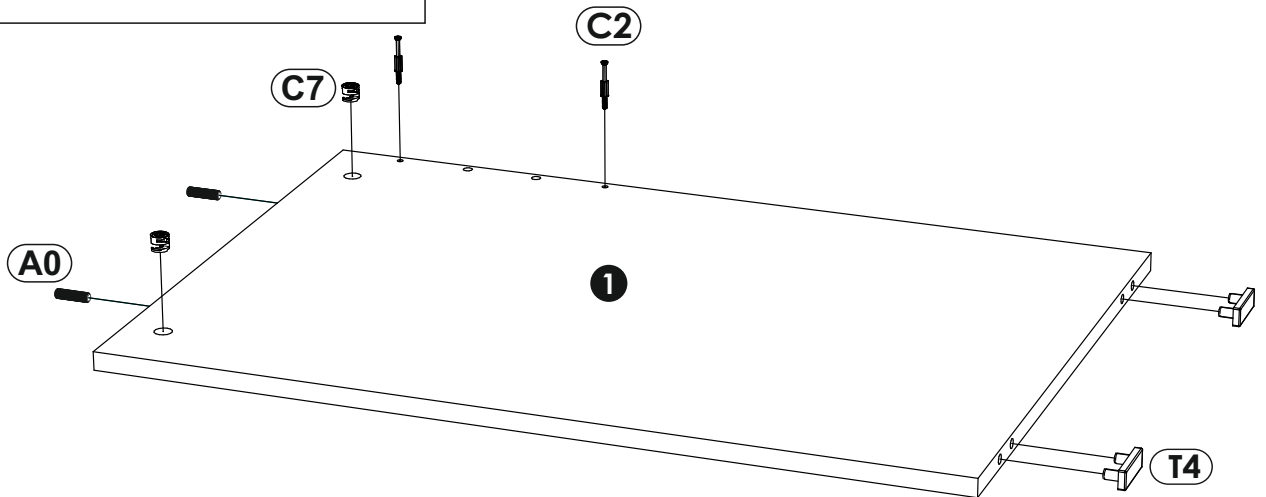




1 ▶

A0	8 x 30mm	x2	C7	16mm	x2	C2	x2
-----------	----------	-----------	-----------	------	-----------	-----------	-----------

T4		x2					
-----------	--	-----------	--	--	--	--	--

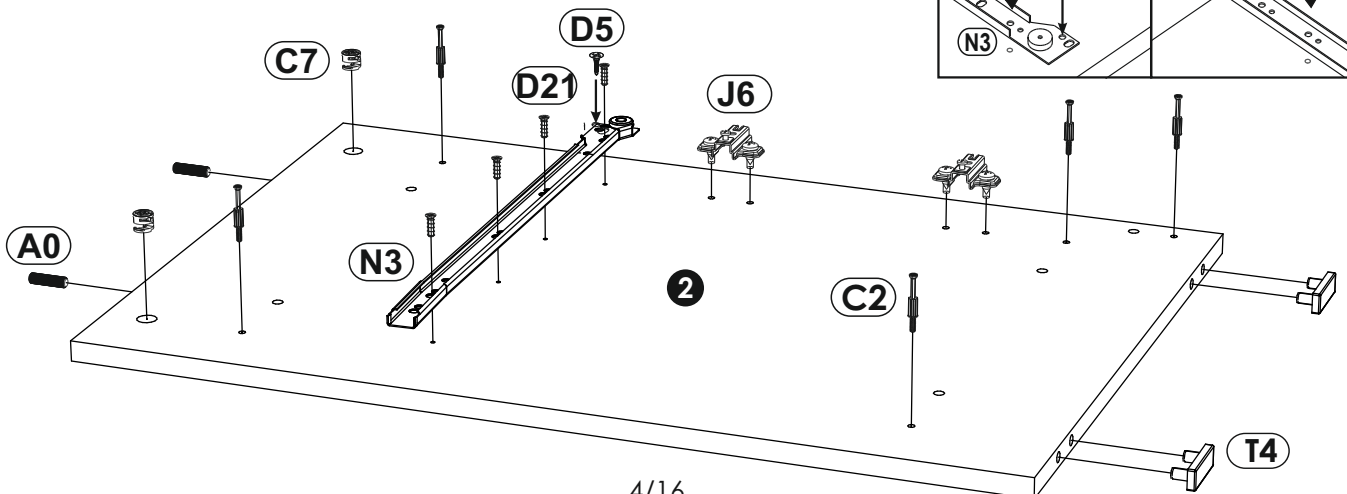
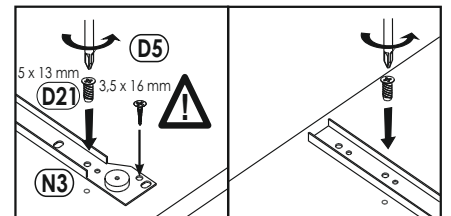


2 ▶



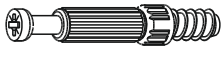
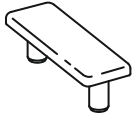

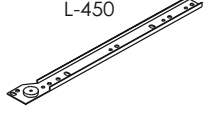
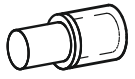

A0	8 x 30mm	x2	C7	16mm	x2	C2	x5
-----------	----------	-----------	-----------	------	-----------	-----------	-----------

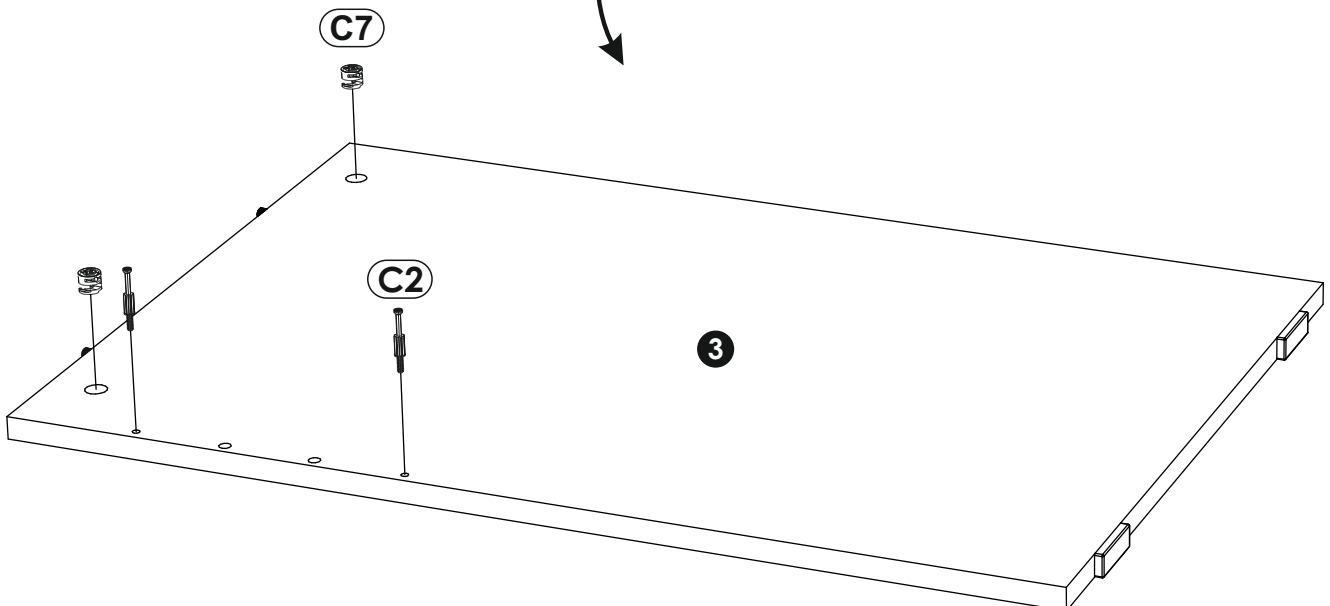
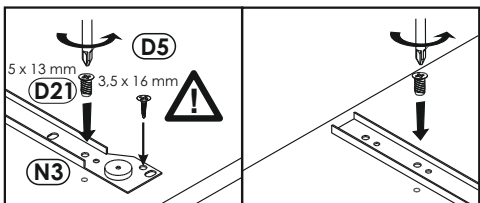
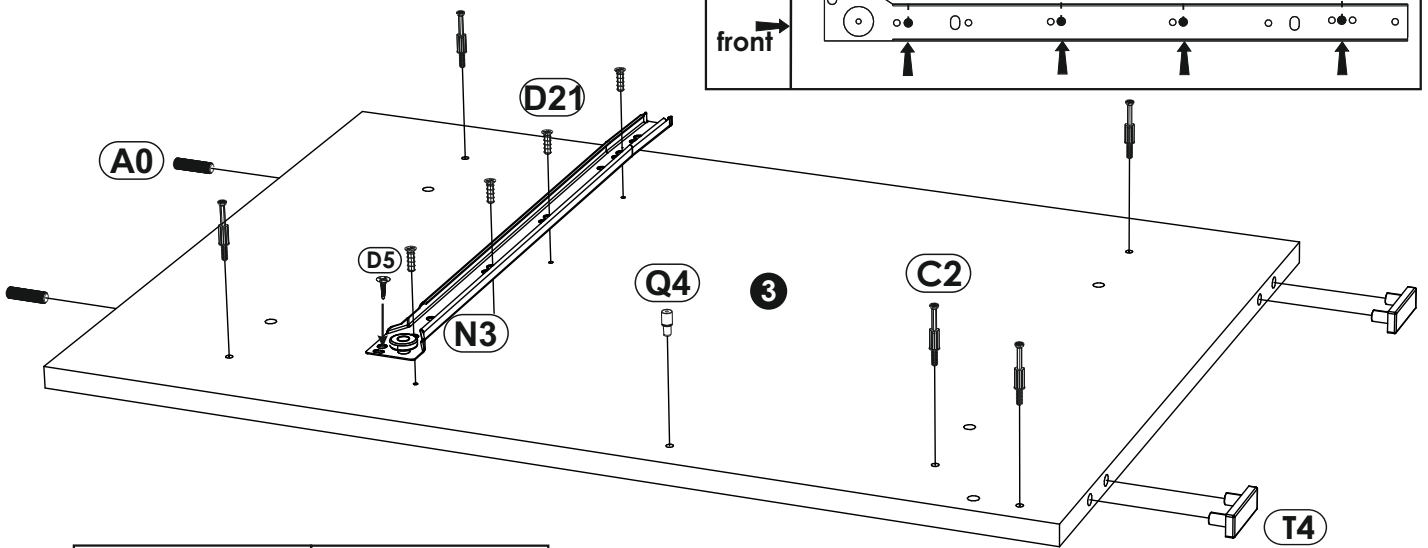
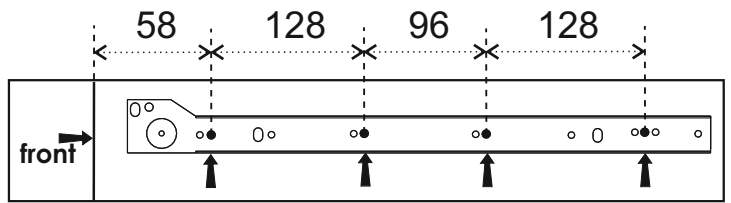
T4		x2	D21	5 x 13 mm	x4	N3	L-450	x1
-----------	--	-----------	------------	-----------	-----------	-----------	-------	-----------

J6		x2	D5	3.5 x 16 mm	x1		
-----------	--	-----------	-----------	-------------	-----------	--	--





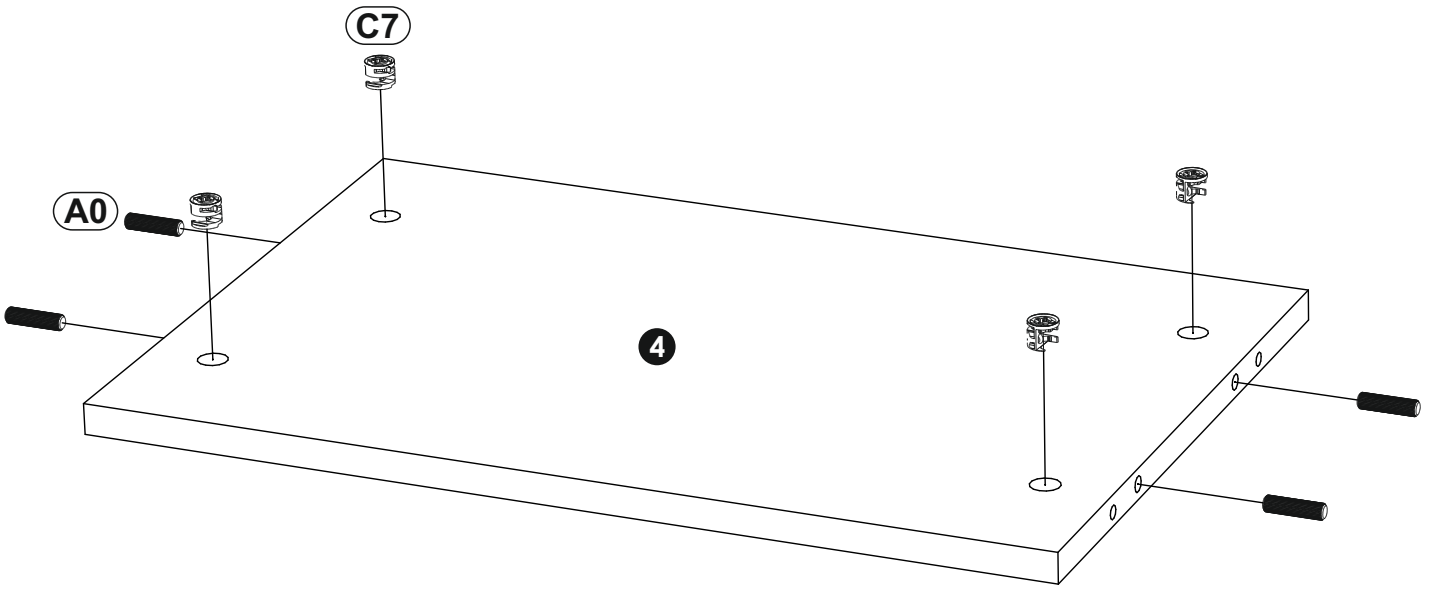
3 ▶

<p>A0 8 x 30mm x2</p> 	<p>C7 16mm x2</p> 	<p>C2 x7</p> 
<p>T4 x2</p> 	<p>D21 5 x 13 mm x4</p> 	<p>N3 L-450 x1</p> 
<p>Q4 x1</p> 	<p>D5 3.5 x 16 mm x1</p> 	


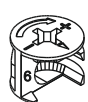
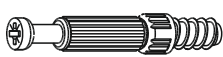


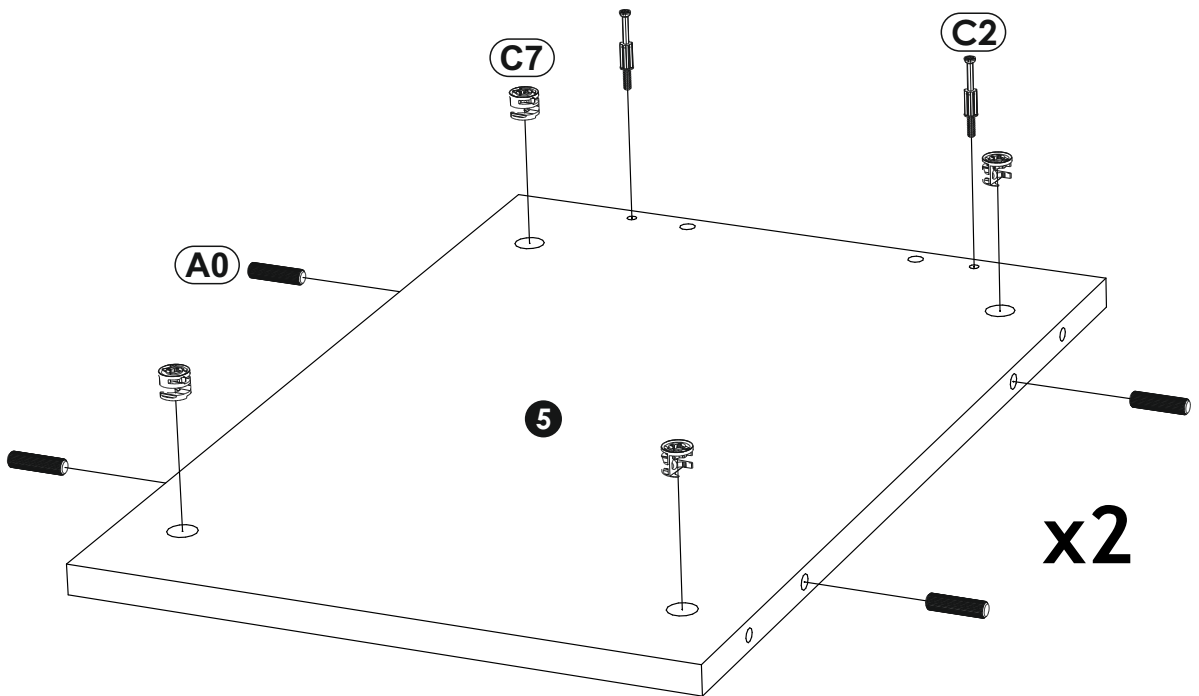
4

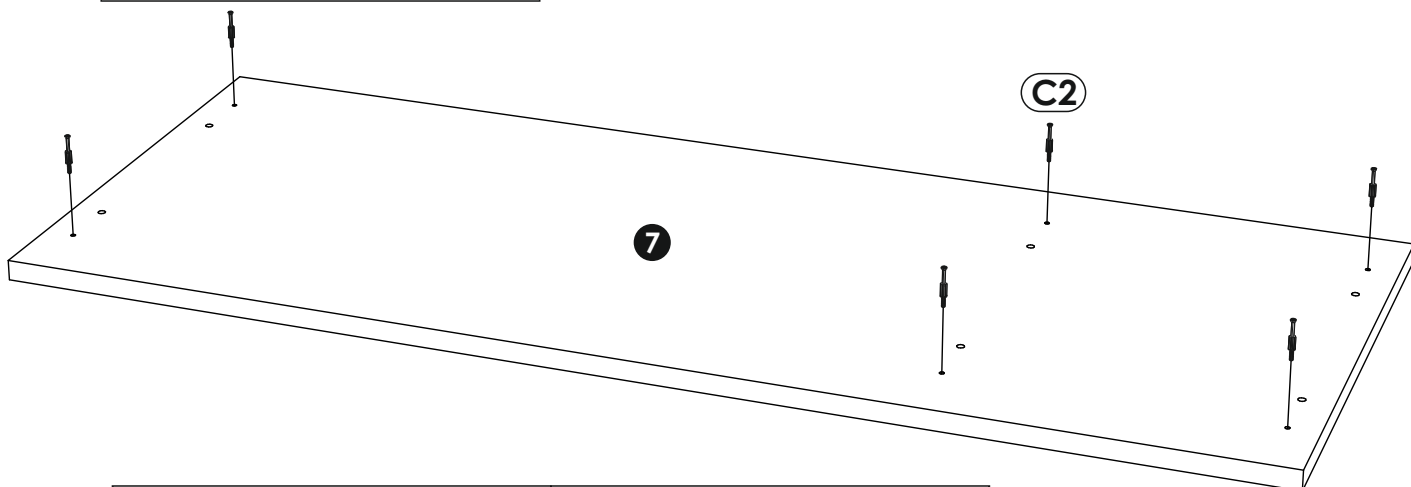
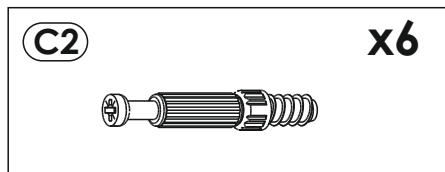
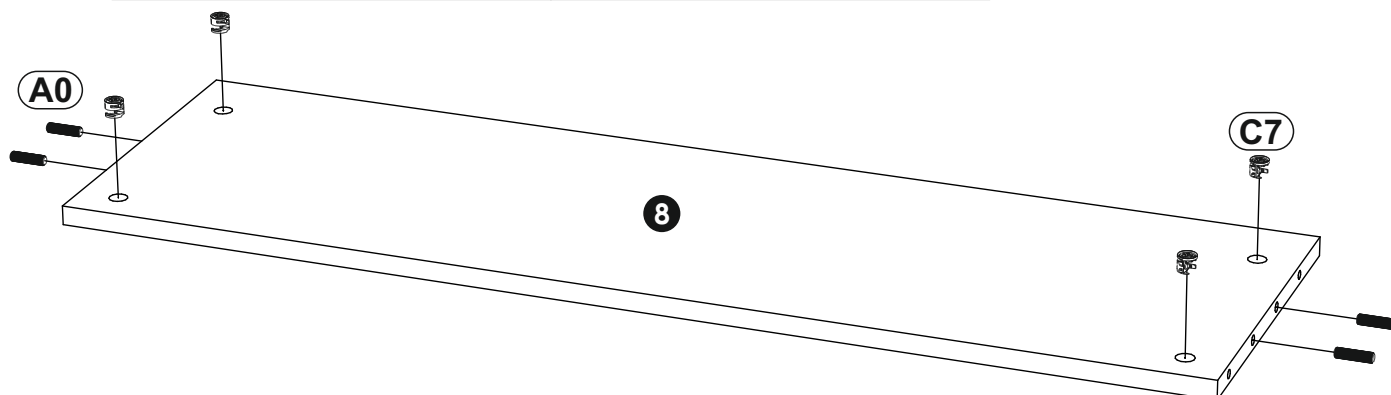
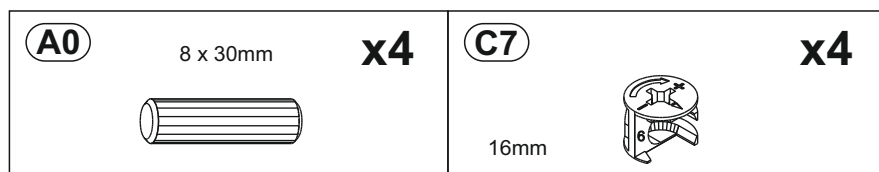
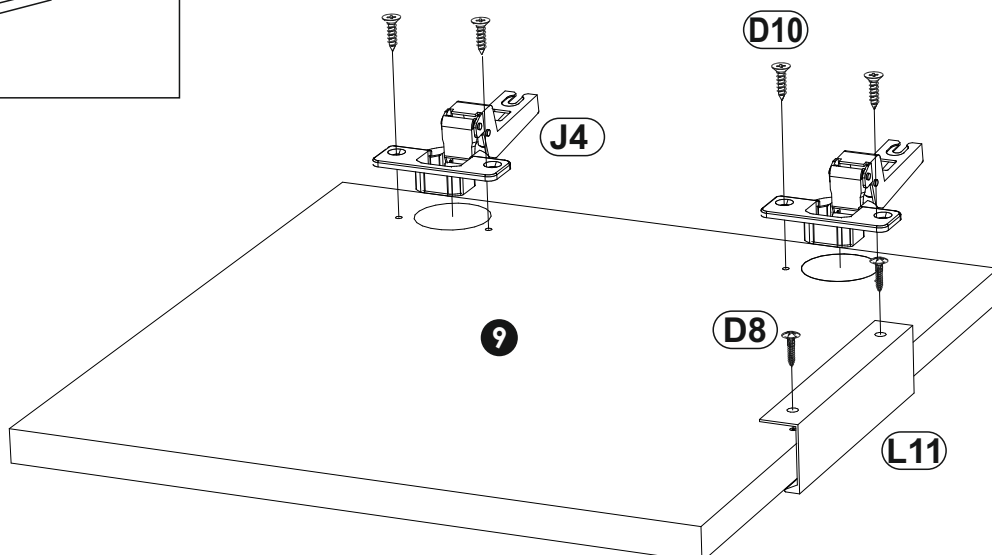
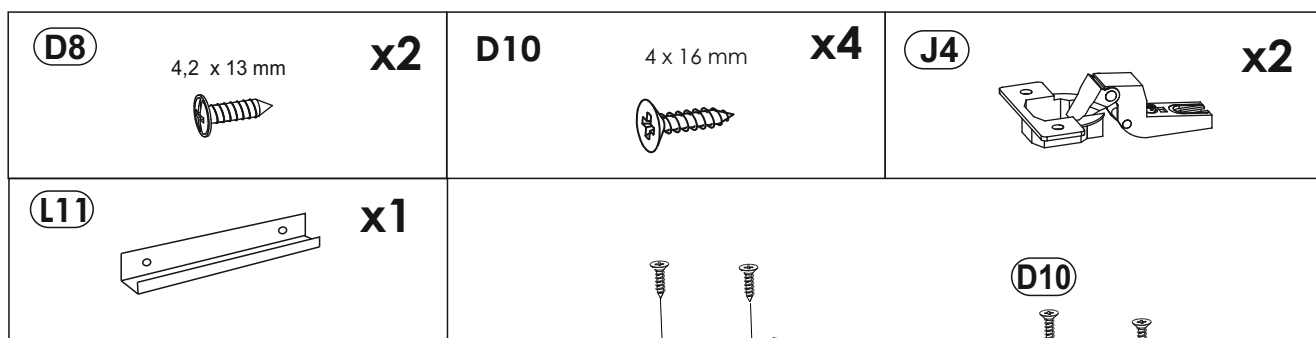
A0	8 x 30mm	x4	C7		x4
				16mm	

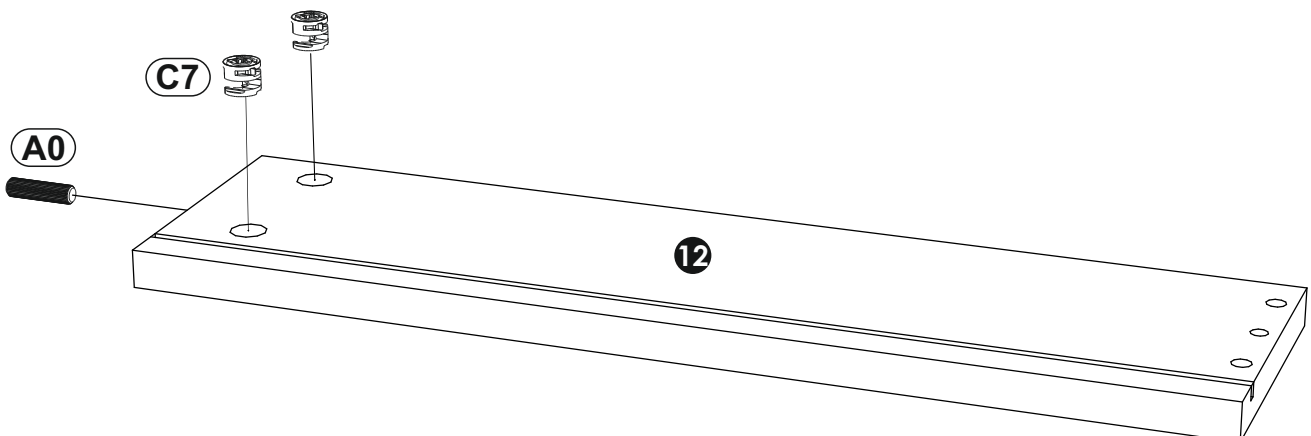
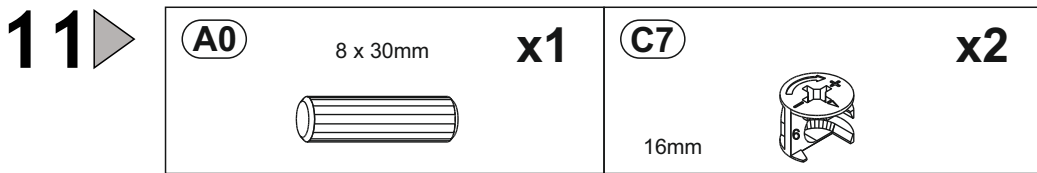
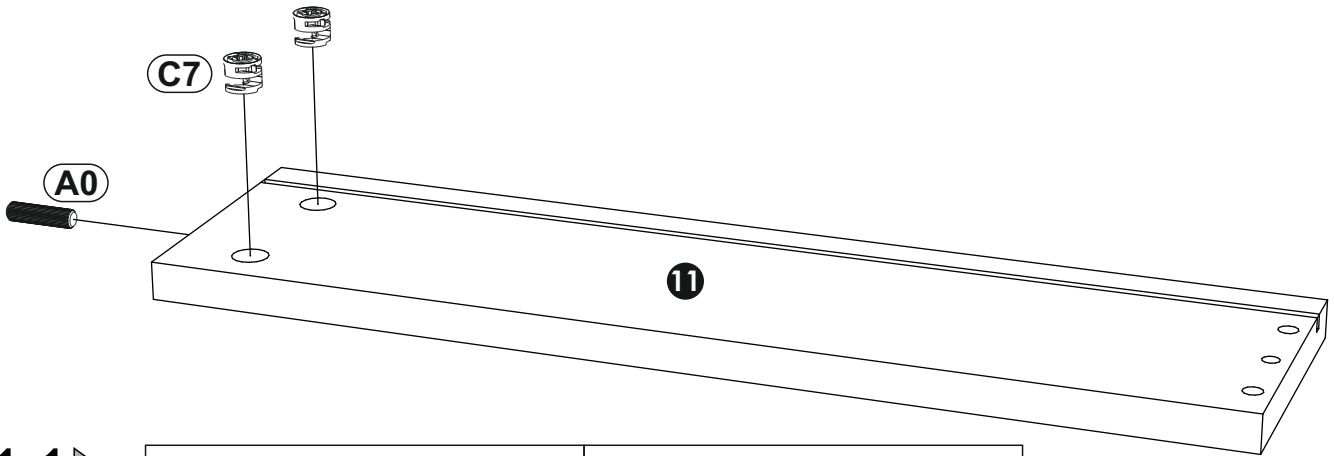
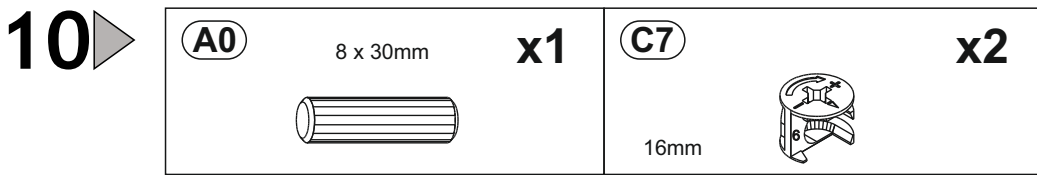
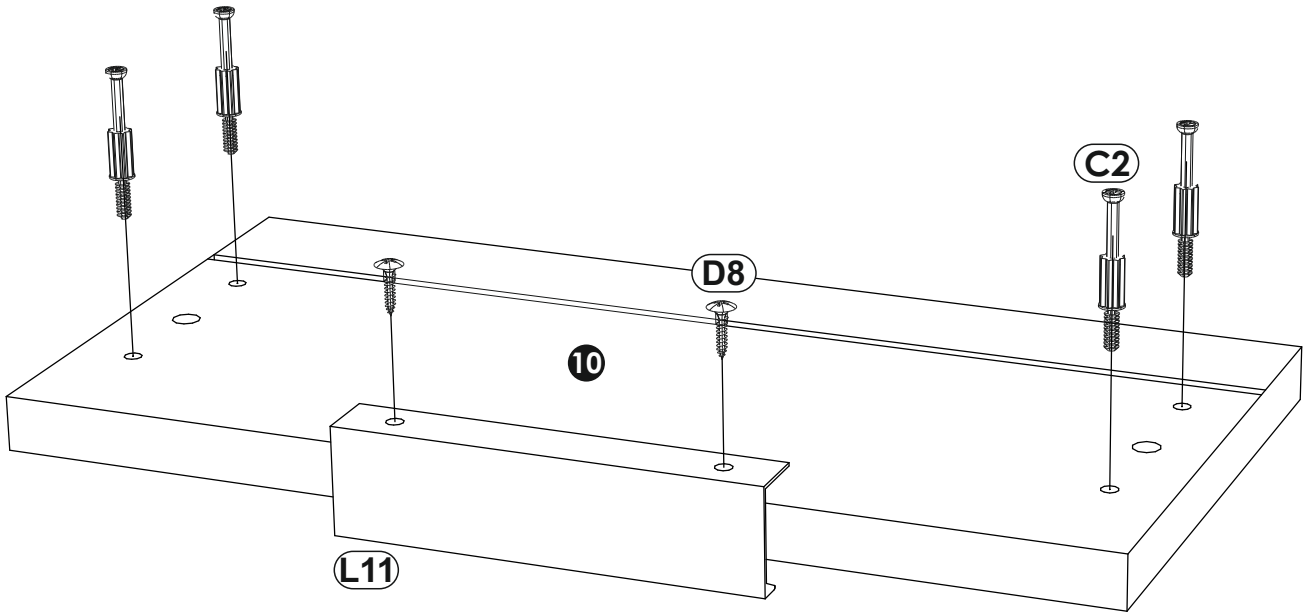
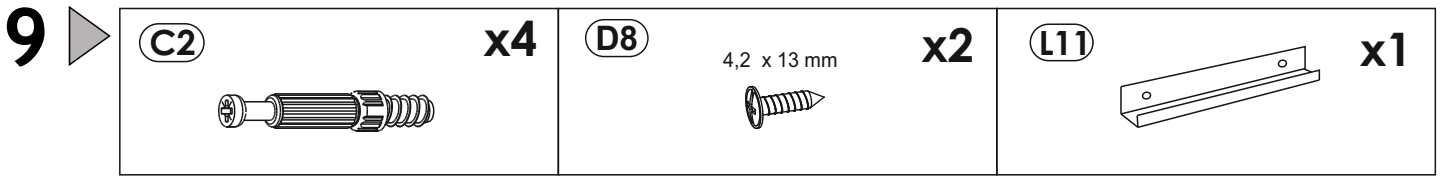


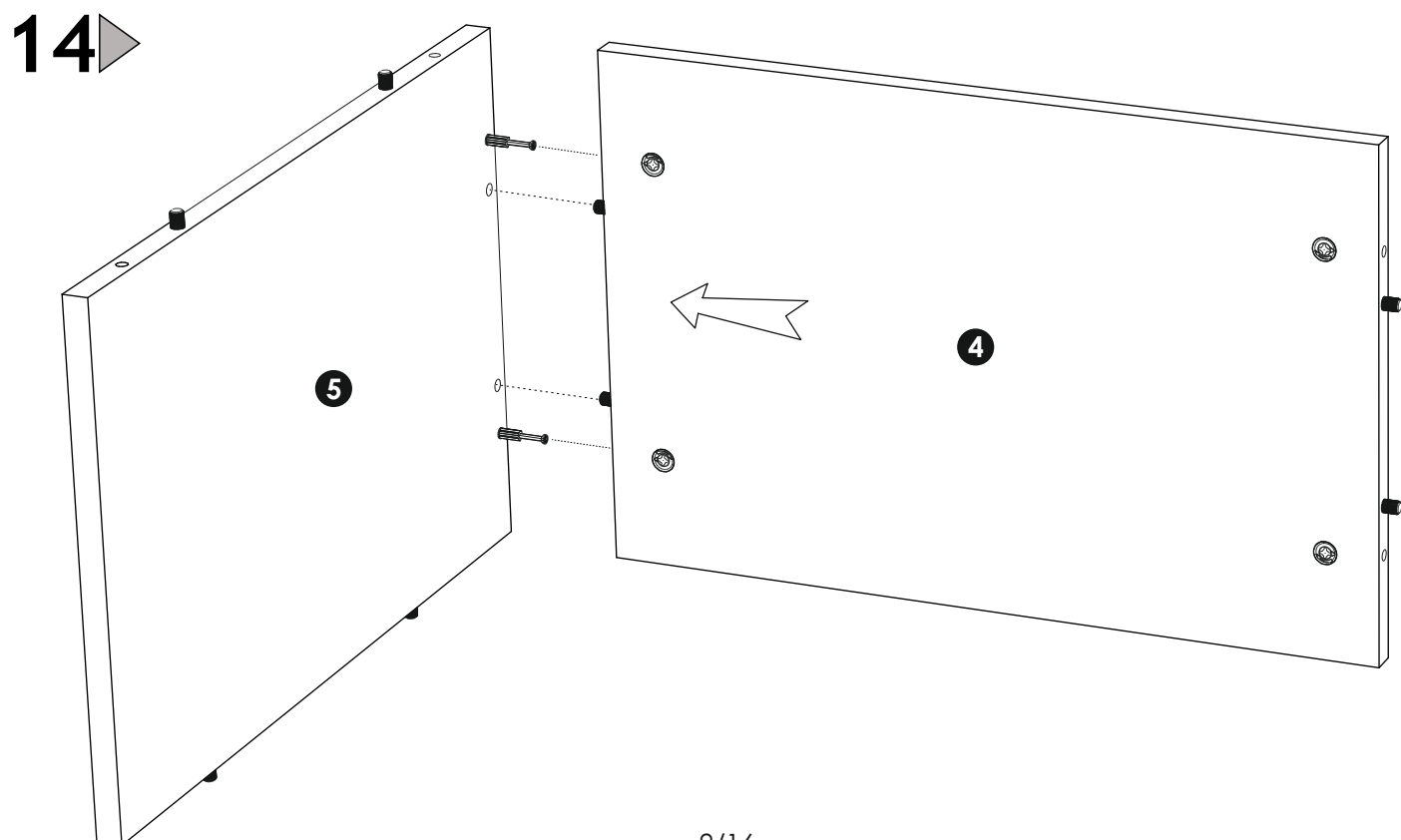
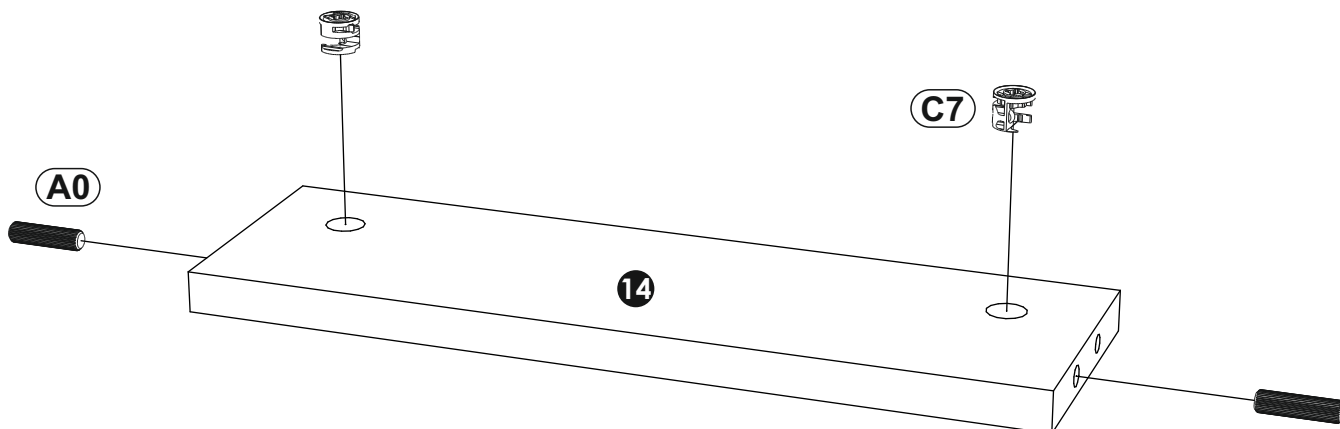
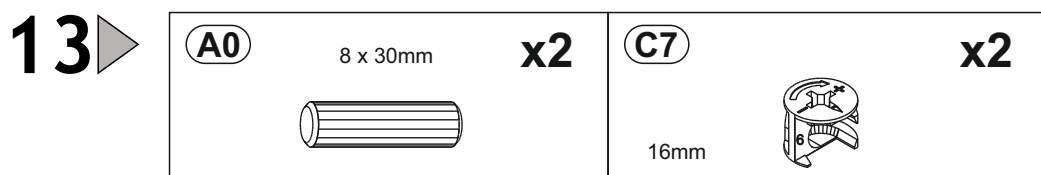
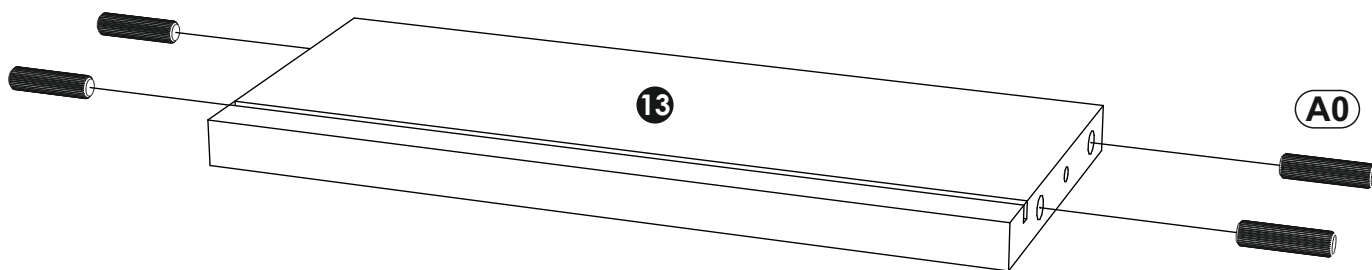
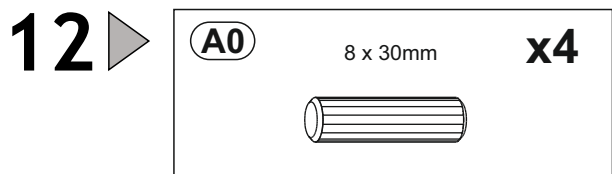
5

A0	8 x 30mm	x8	C7		x8	C2		x4
				16mm				

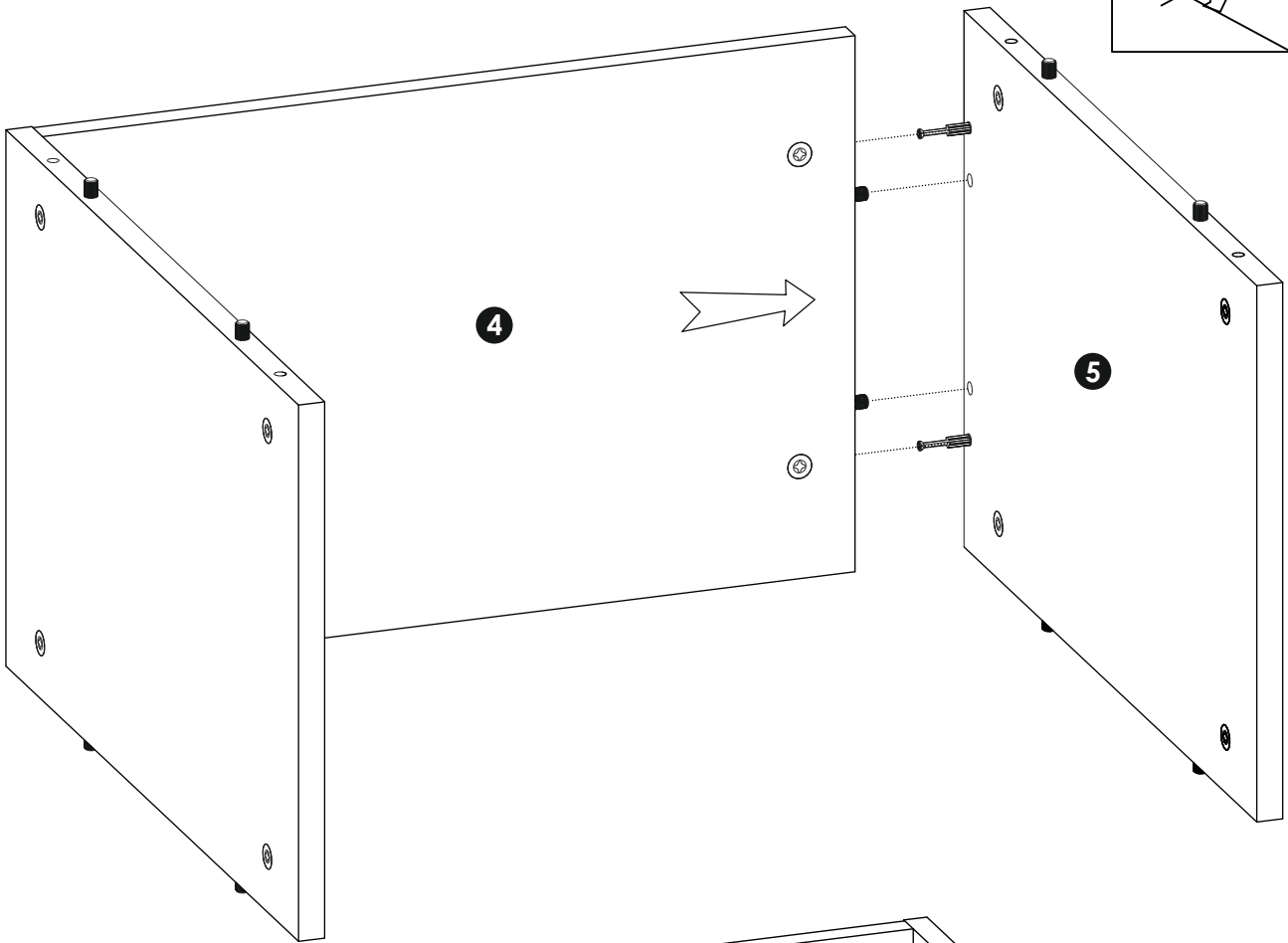
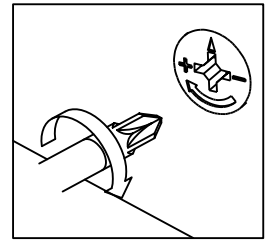


6**7****8**

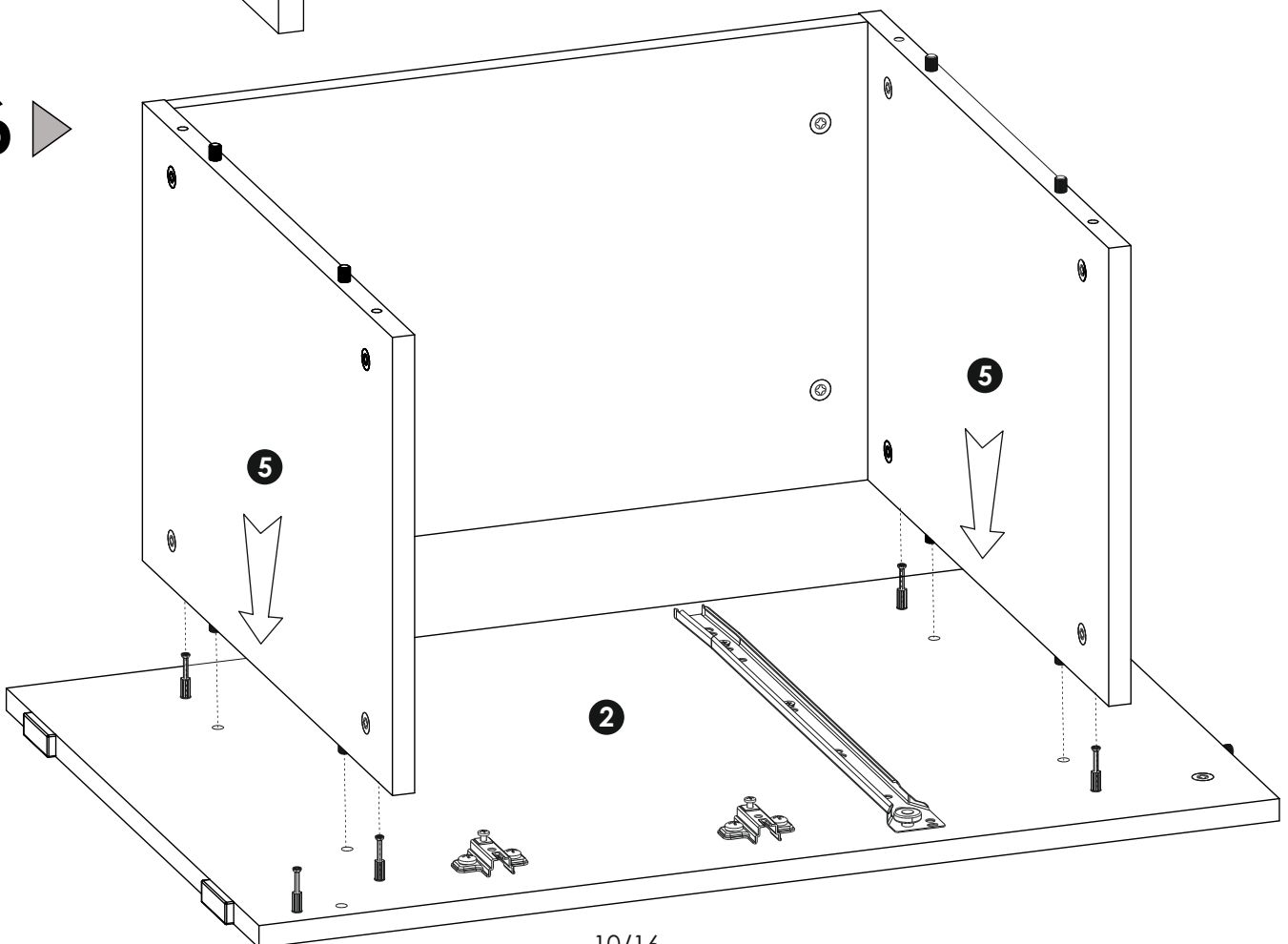




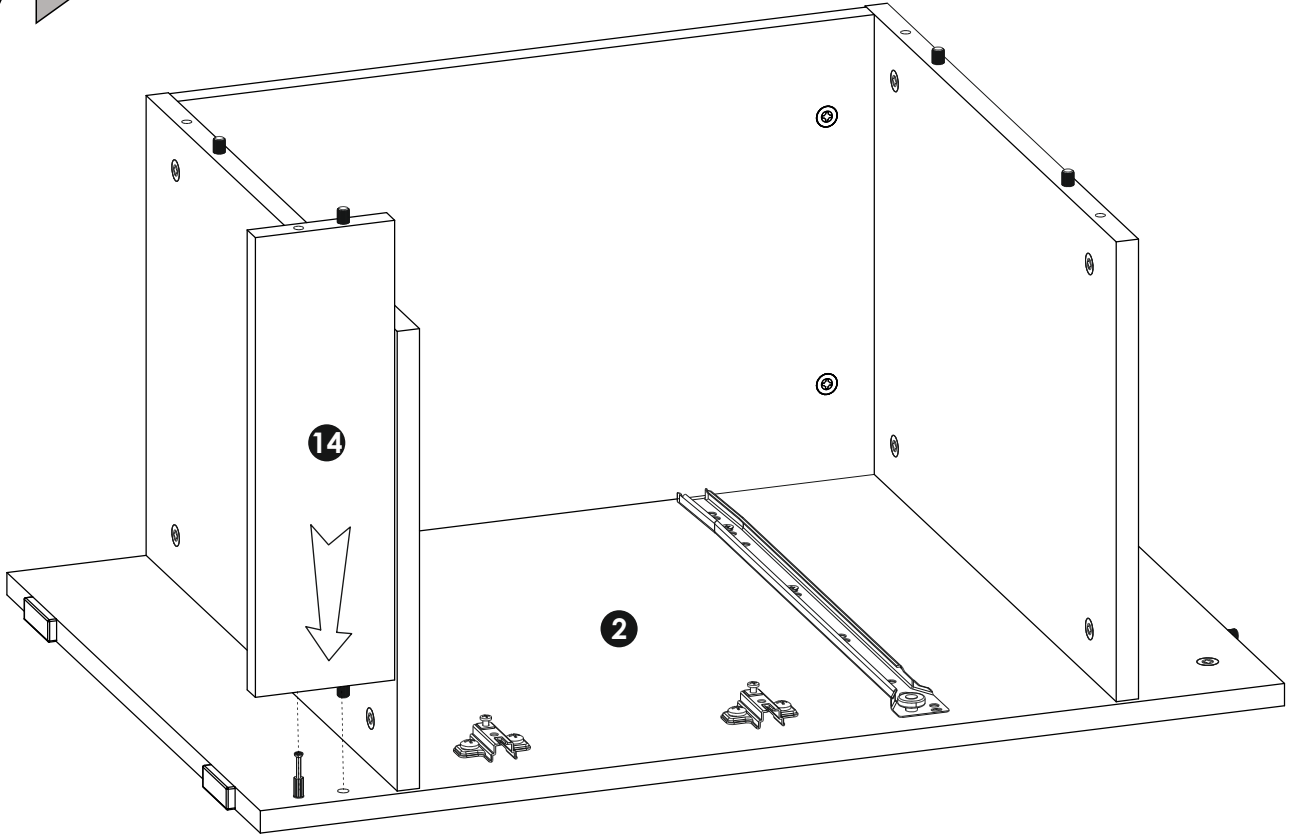
15 ▶



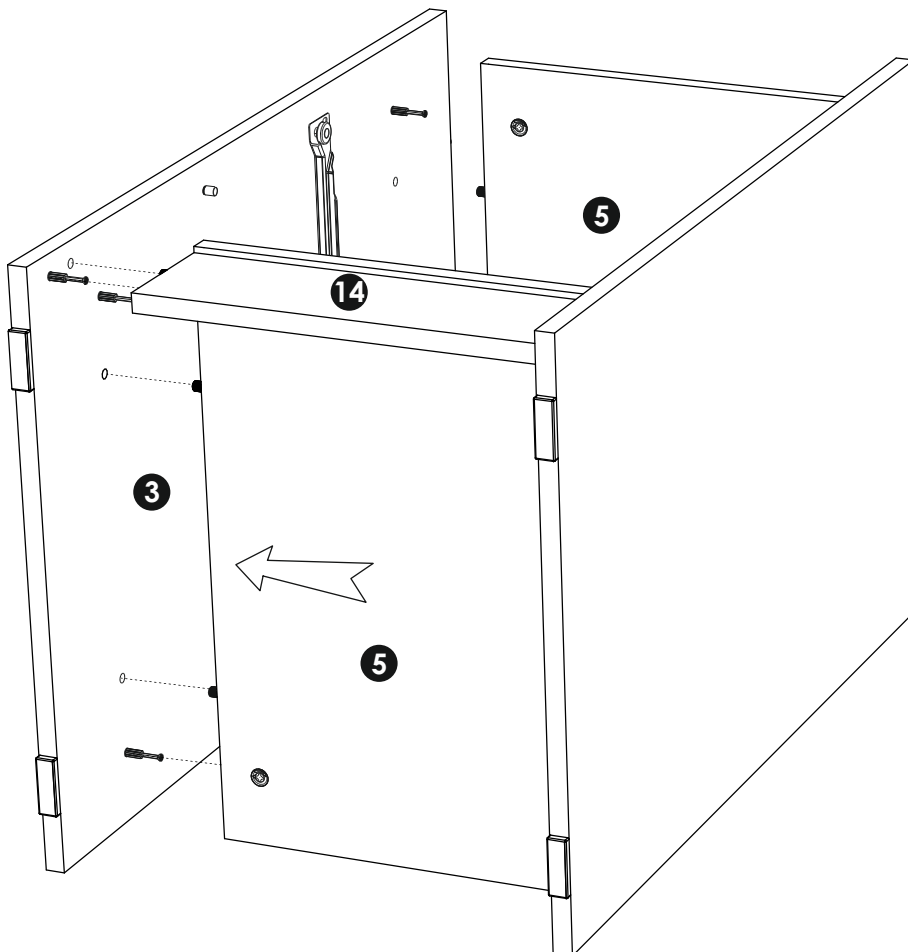
16 ▶



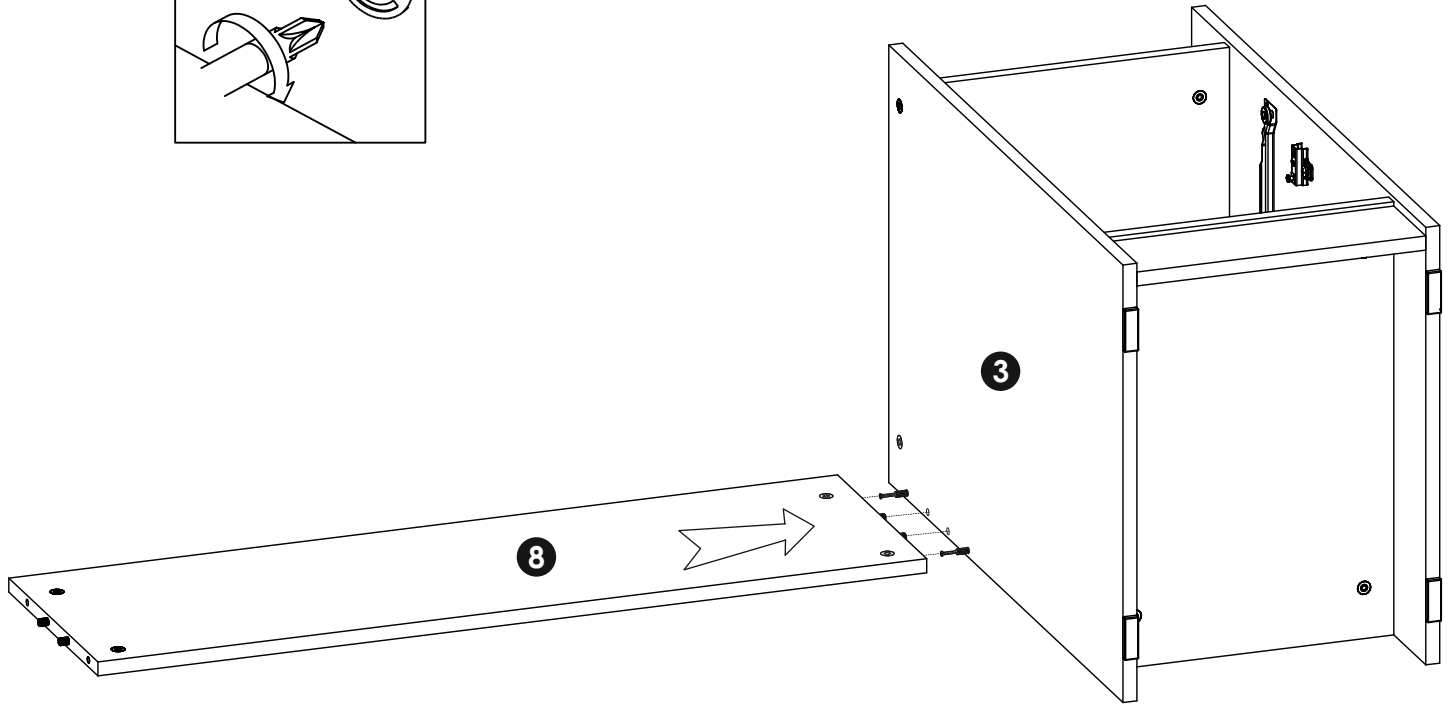
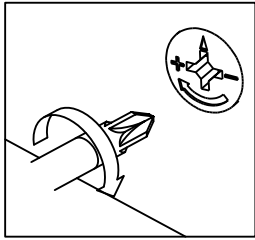
17 ▶



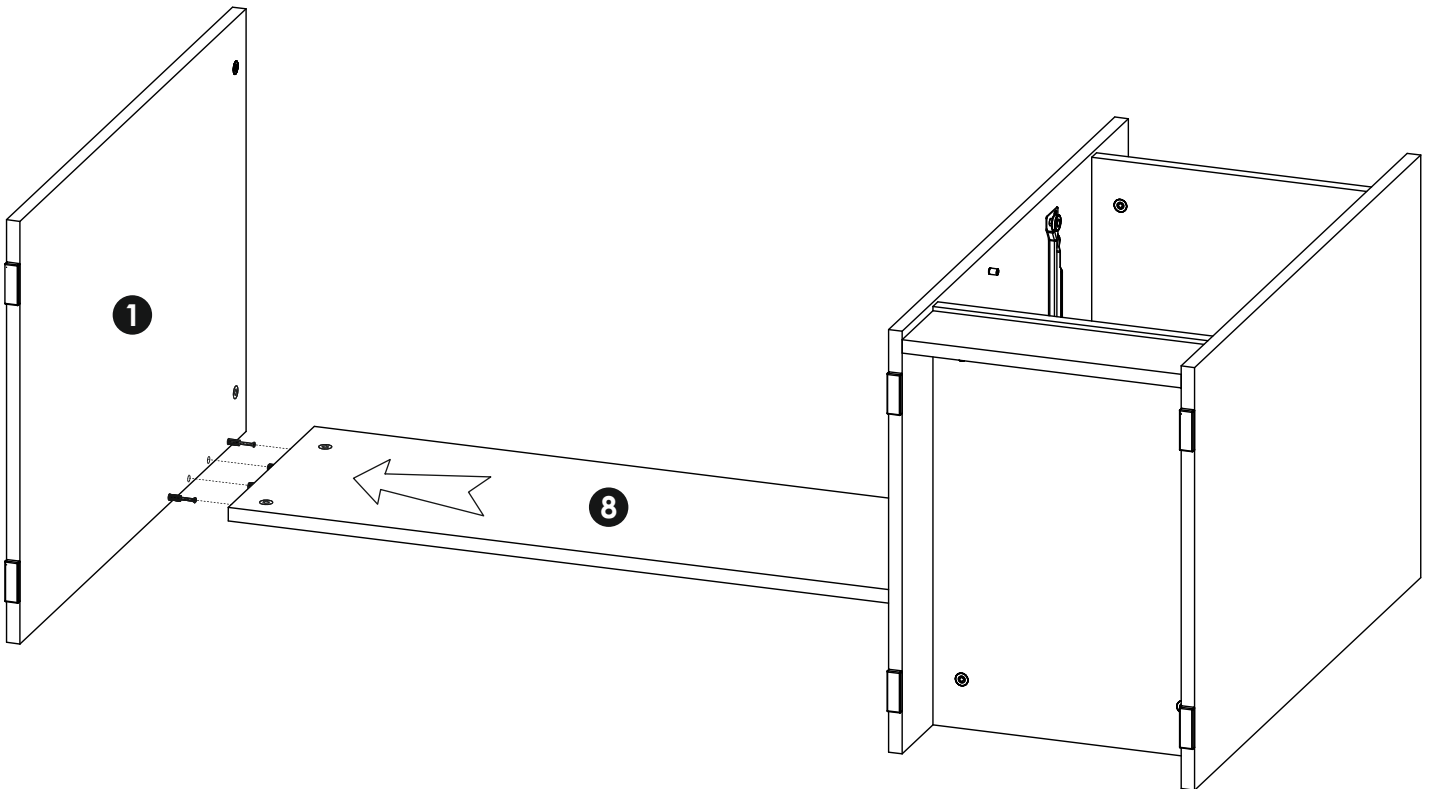
18 ▶



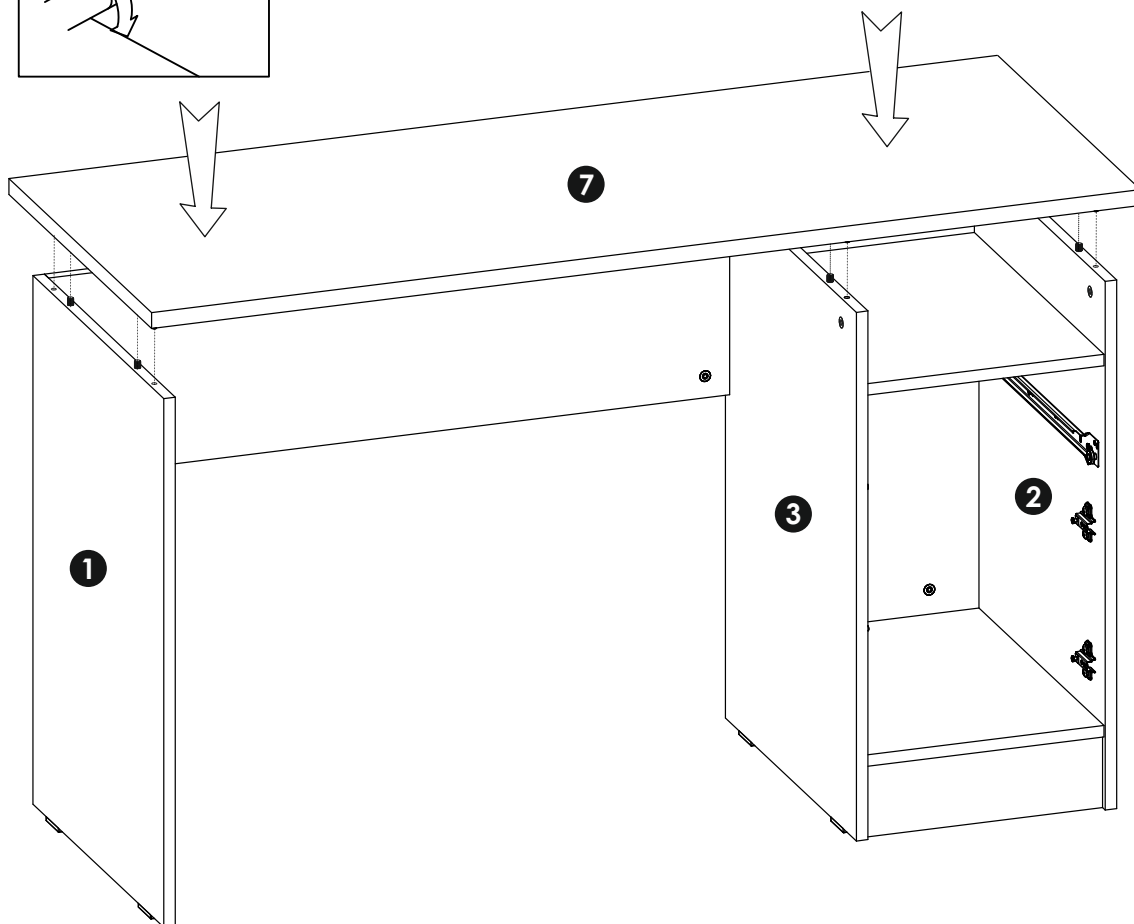
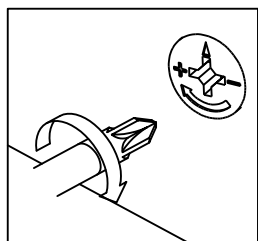
19 ▶



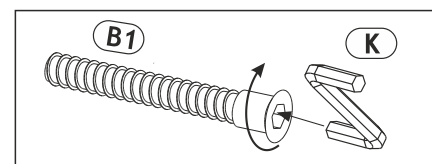
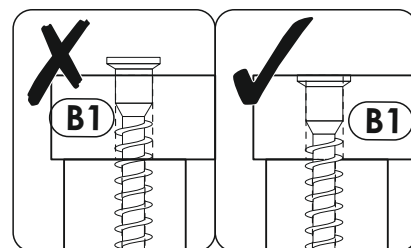
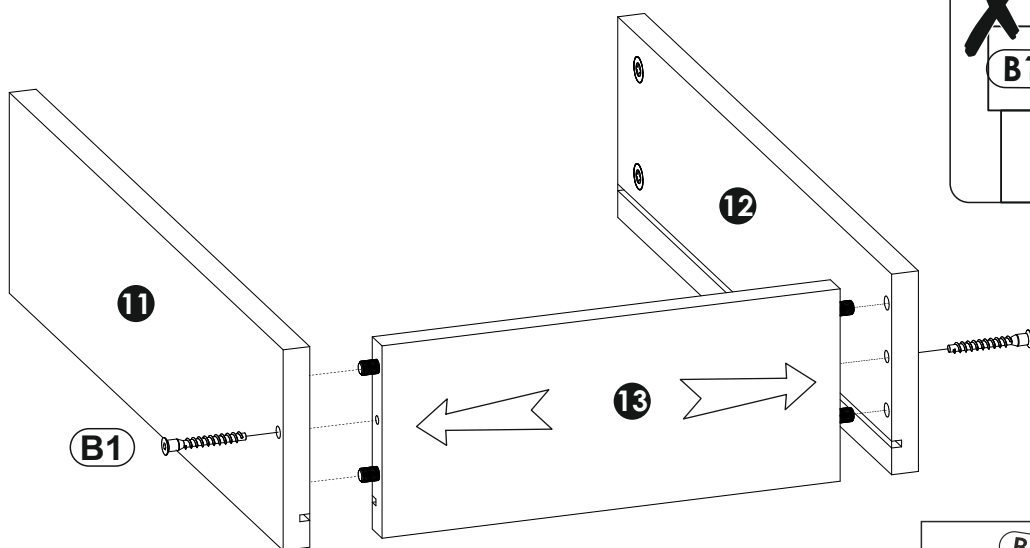
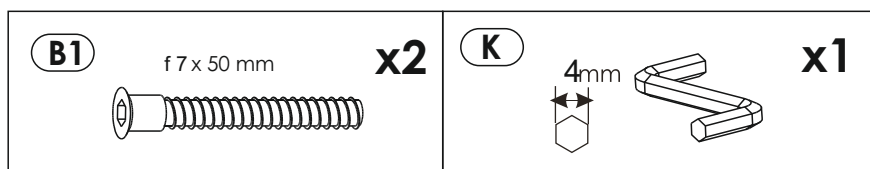
20 ▶



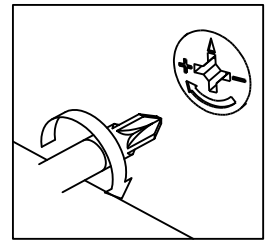
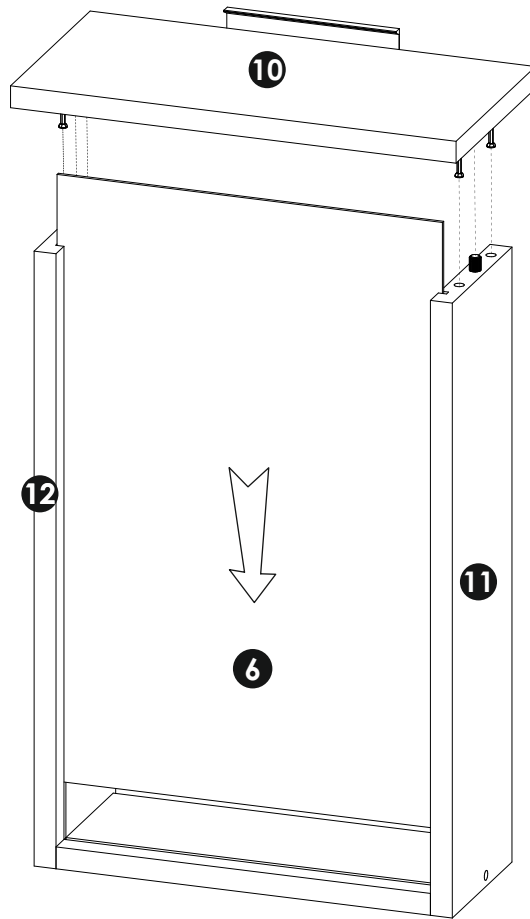
21 ▶



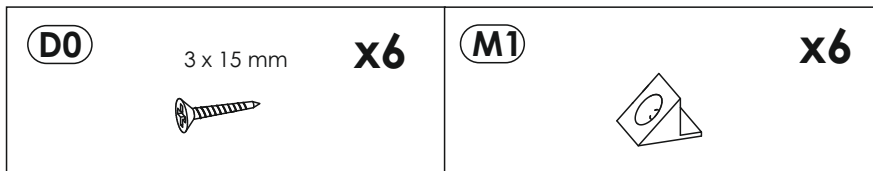
22 ▶



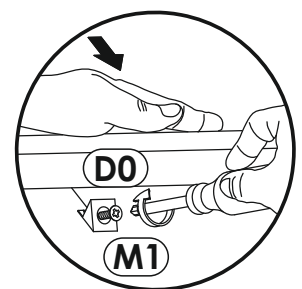
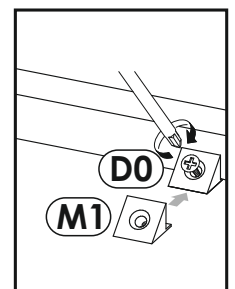
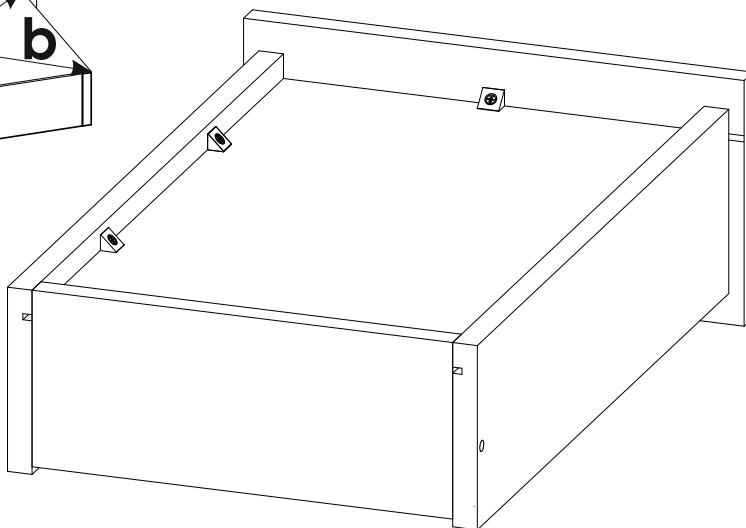
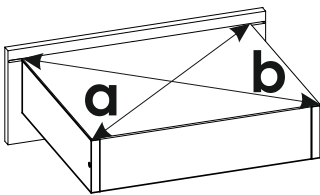
23 ▶



24 ▶

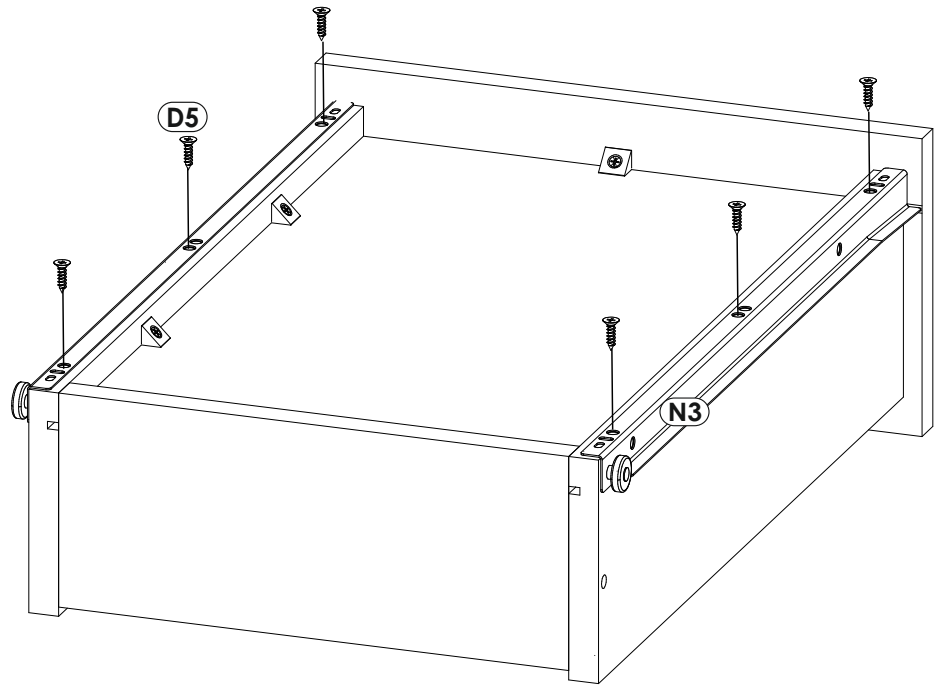
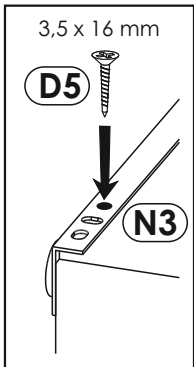


$a=b$

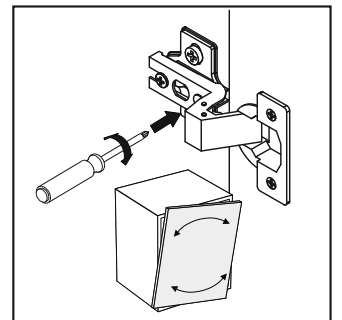
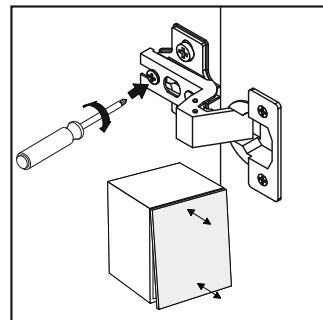
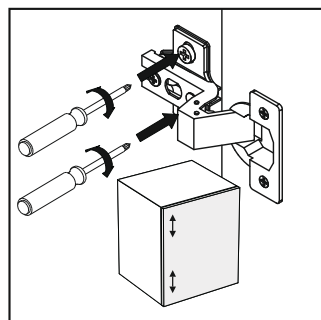
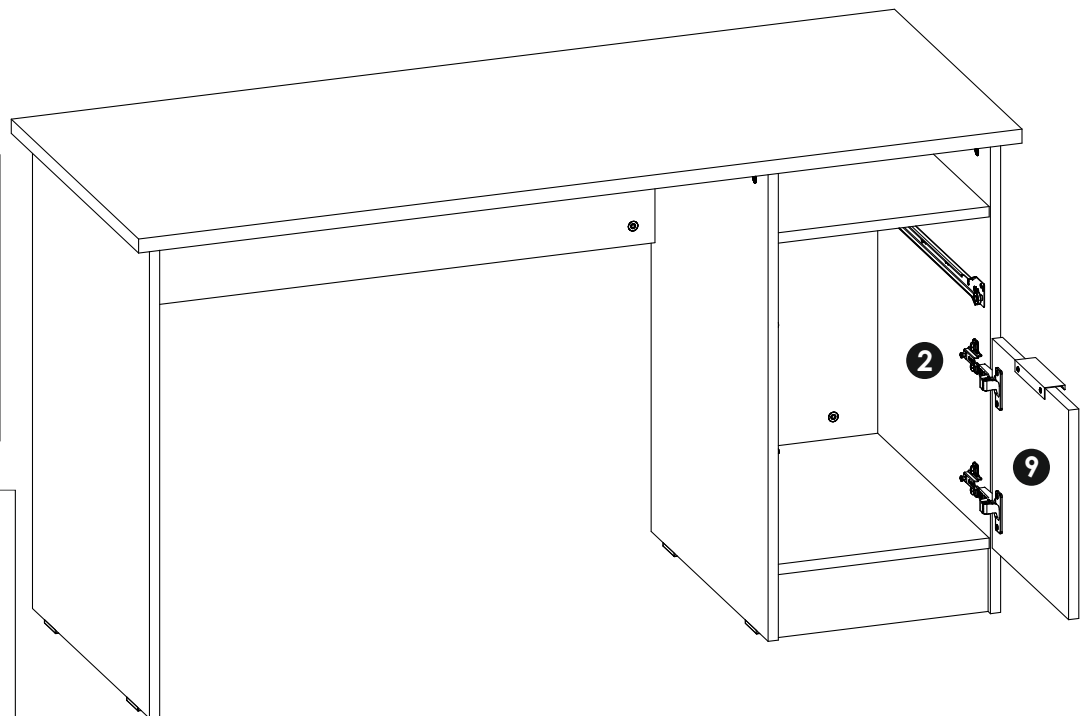
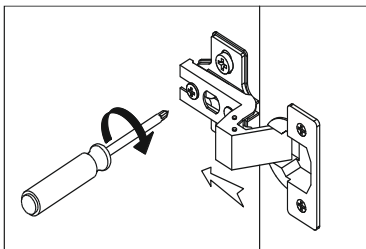
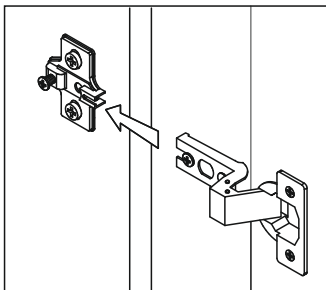


25 ▶

D5	3.5 x 16 mm	x6	N3	L-450	x1
-----------	-------------	-----------	-----------	-------	-----------



26 ▶



27 ▶

