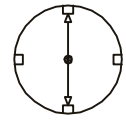
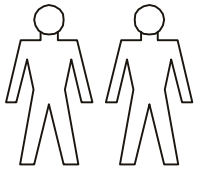
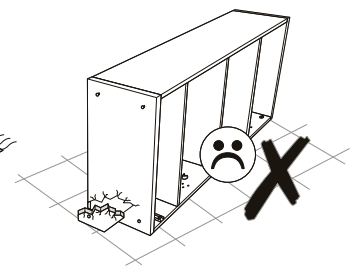
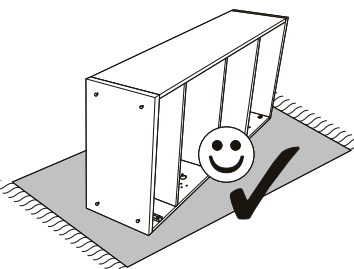
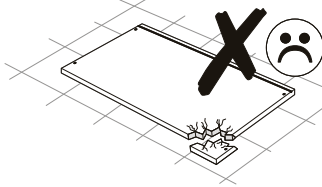
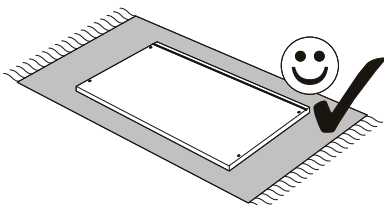
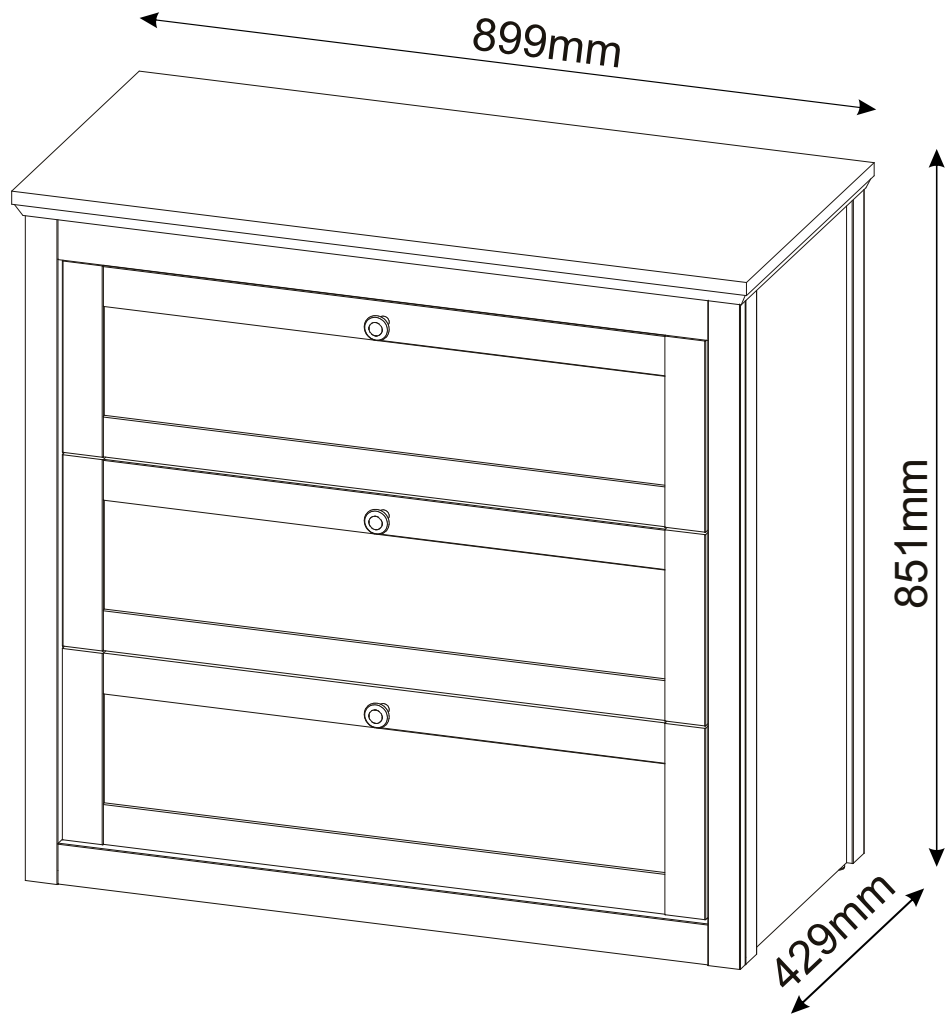
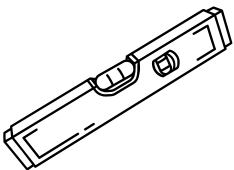
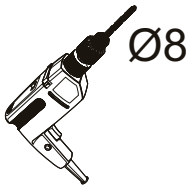
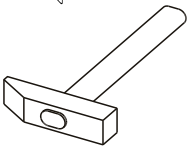
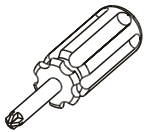
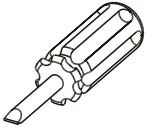


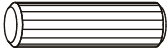








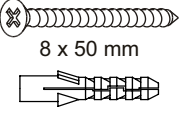


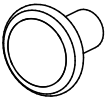

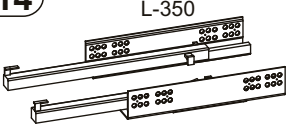
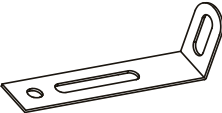
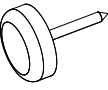
KORSIKA Kommode 3L

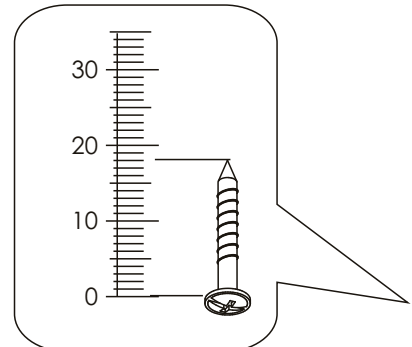
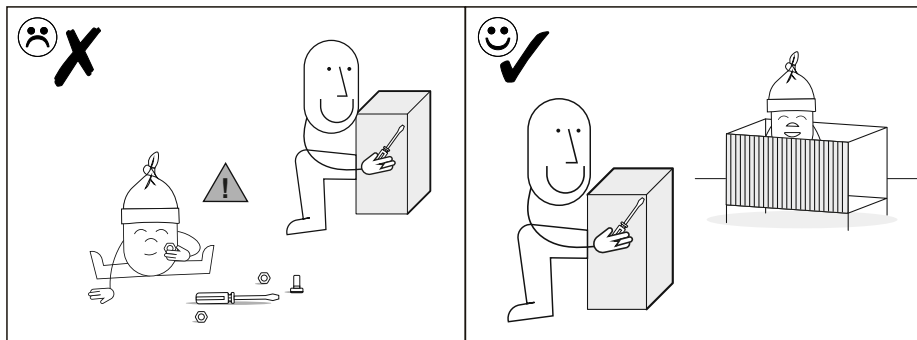
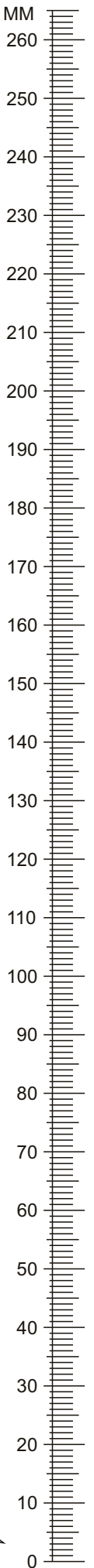
00030139/05




45
MIN

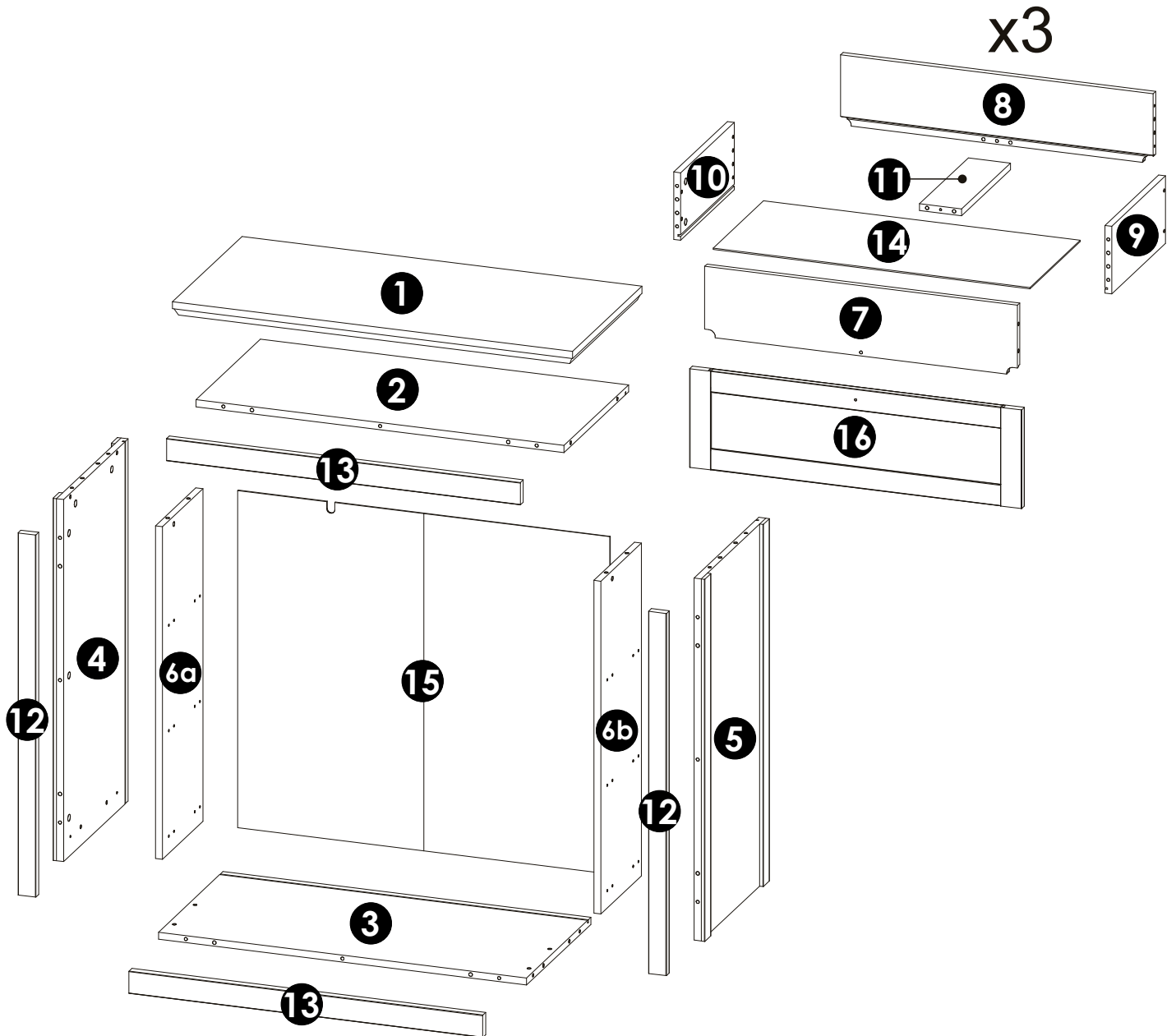


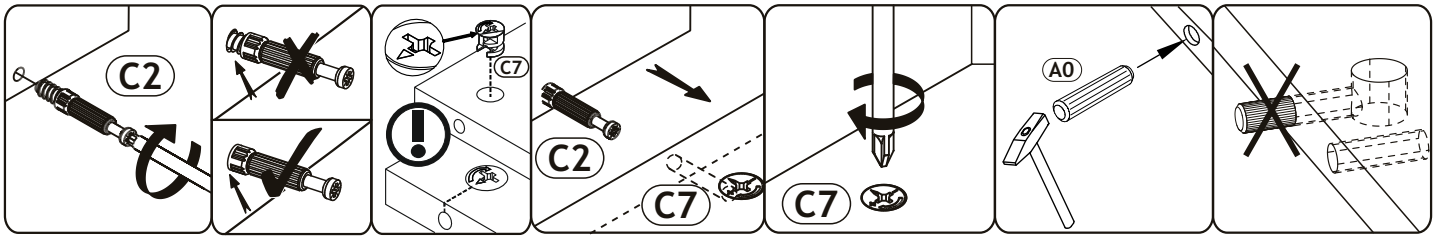
A0 8 x 30mm 	x76	B1 7x 50 mm 	x18	C0 	x12
C2 	x32	C7 16mm 	x32	D0 3 x 15 mm 	x24
D8 4.2 x 13 mm 	x1	D21 5 x 13 mm 	x1	D31 6.3 x 13 mm 	x24
E0 5 x 50 mm 8 x 50 mm 	x1	H2 4 x 22 mm 	x3	K 4mm 	x1
L35 	x3	M1 	x24	N14 L-350 	x3
P0 	x1	T3 	x4		



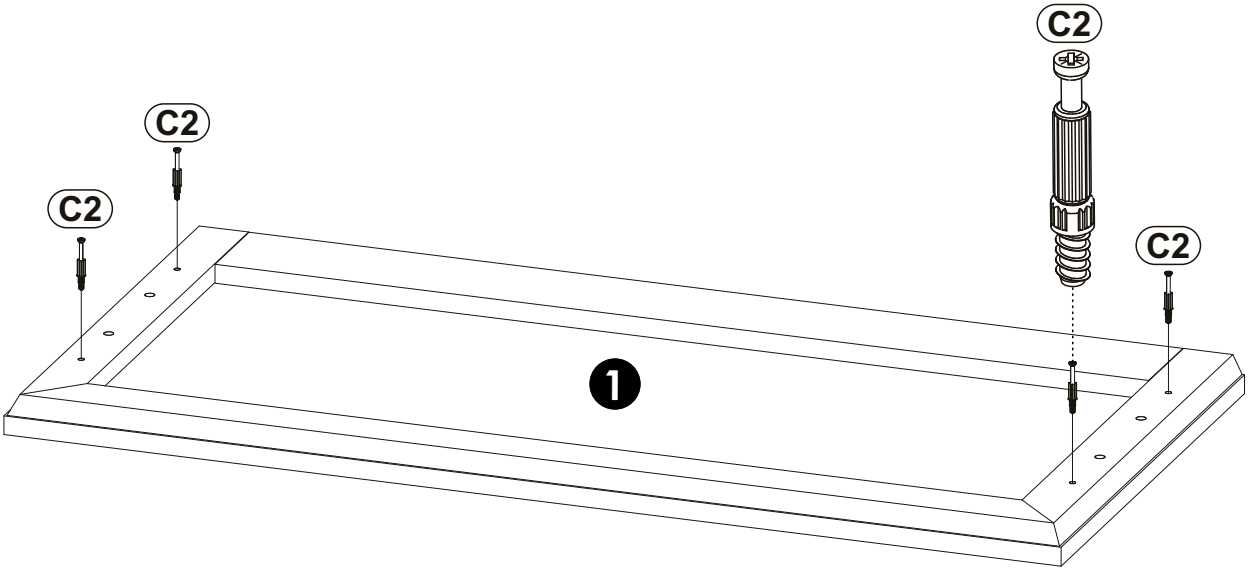
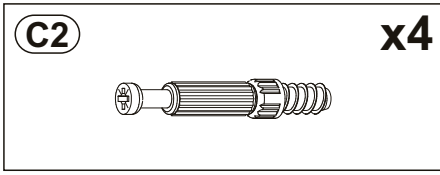
1	899	429	32	x1	1/2
2	827	398	16	x1	2/2
3	827	398	16	x1	2/2
4	814	399	24	x1	2/2
5	814	399	24	x1	2/2
6	748	250	16	x2	2/2
7	741	166	16	x3	1/2
8	741	166	16	x3	1/2
9	350	160	16	x3	1/2

10	350	160	16	x3	1/2
11	318	100	16	x3	1/2
12	814	40	18	x2	2/2
13	795	50	18	x2	2/2
14	751	328	3	x3	1/2
15	758	836	3	x1	1/2
16	787	234	18	x3	1/2
					1/2





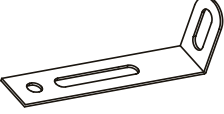


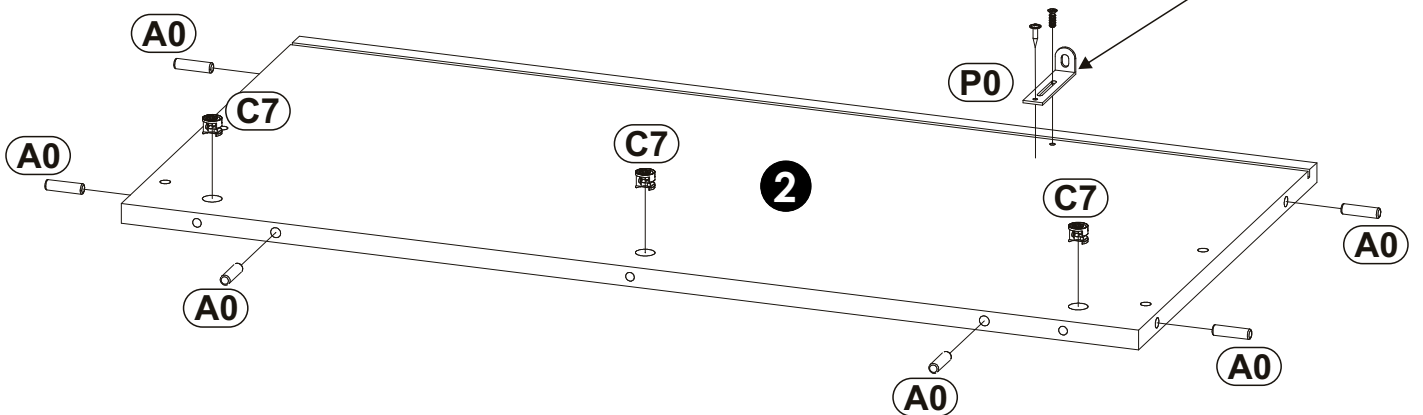
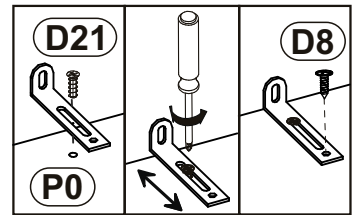


1





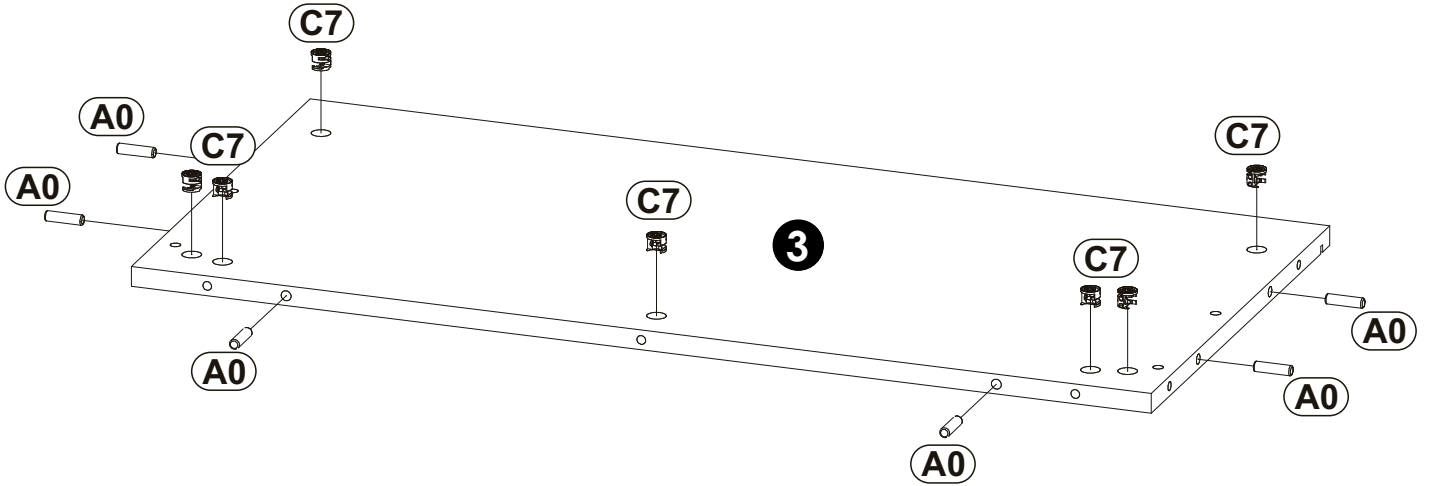
2

A0 8 x 30mm 	x6	C7 16mm 	x3	D8 4.2 x 13 mm 	x1
D21 5 x 13 mm 	x1	P0 	x1		


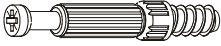

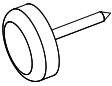


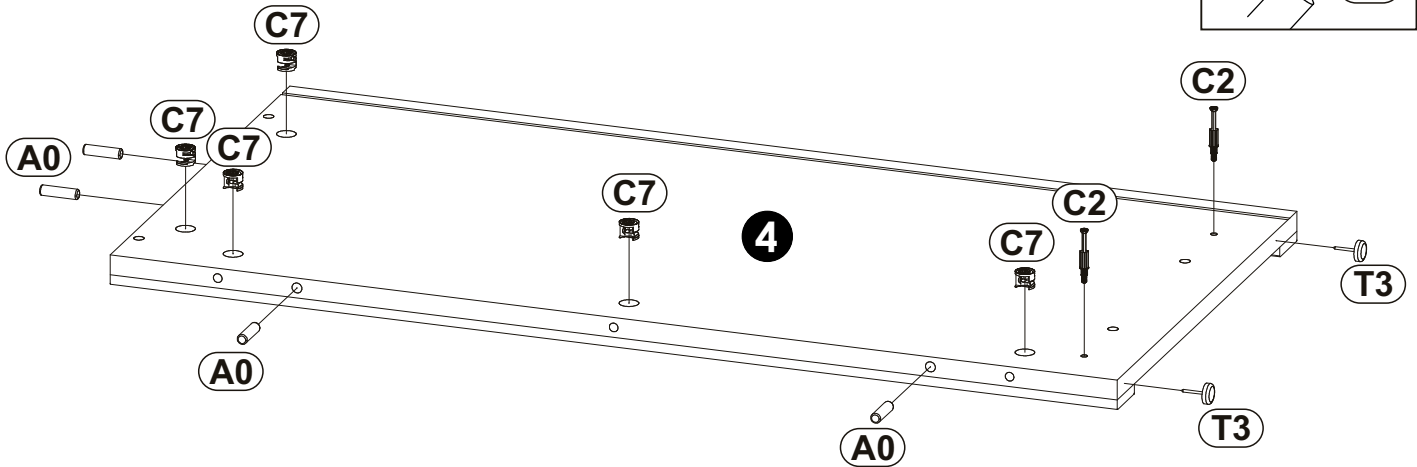
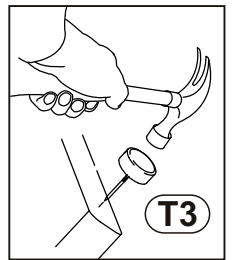
3

A0	8 x 30mm	x6	C7	16mm	x7
					


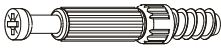

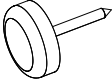


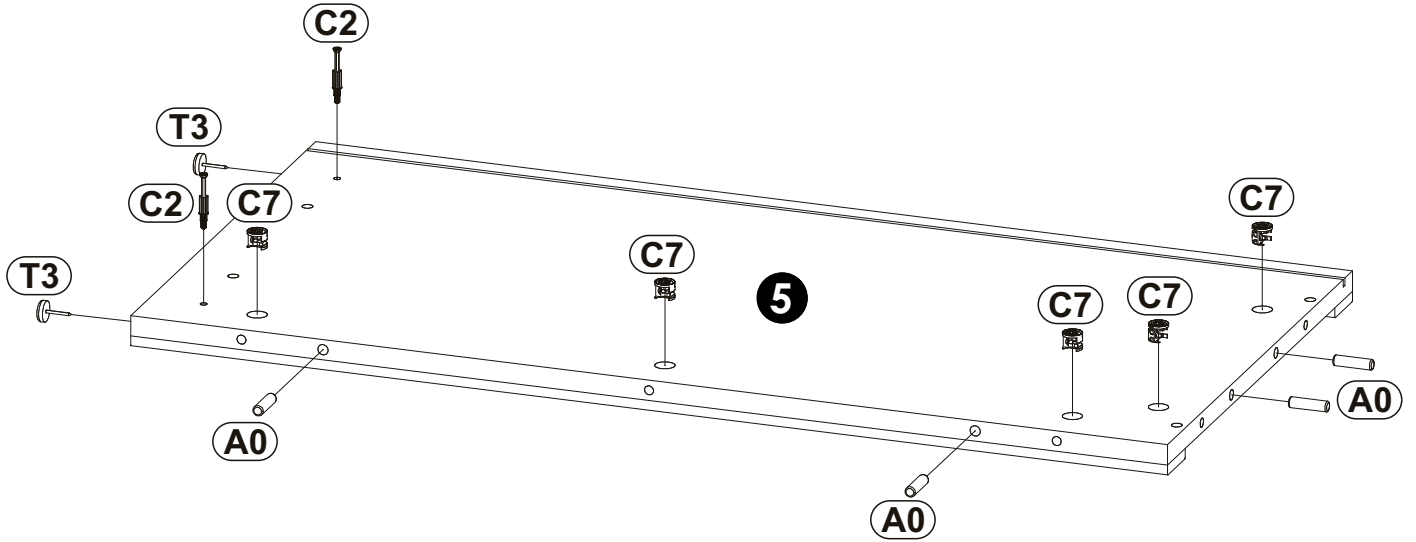
4

A0	8 x 30mm	x4	C2	x2	C7	16mm	x5
							
T3		x2					
							



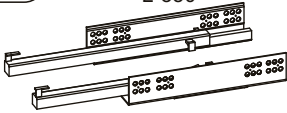


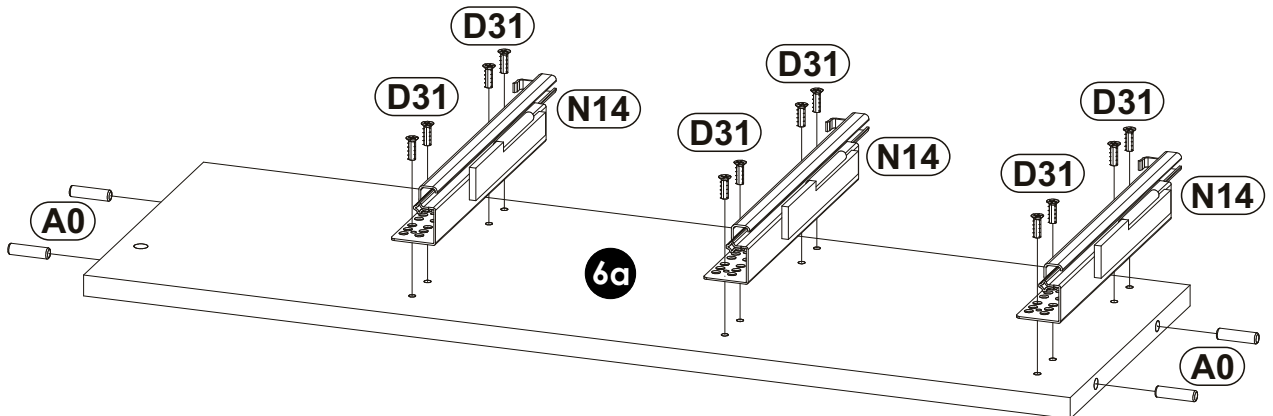
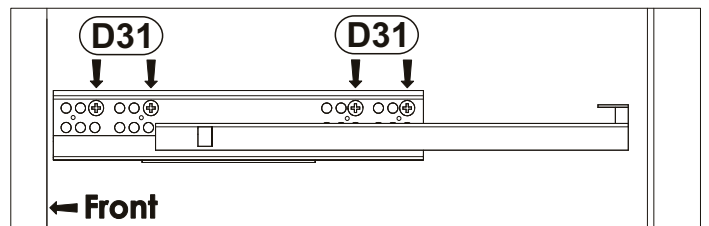
5

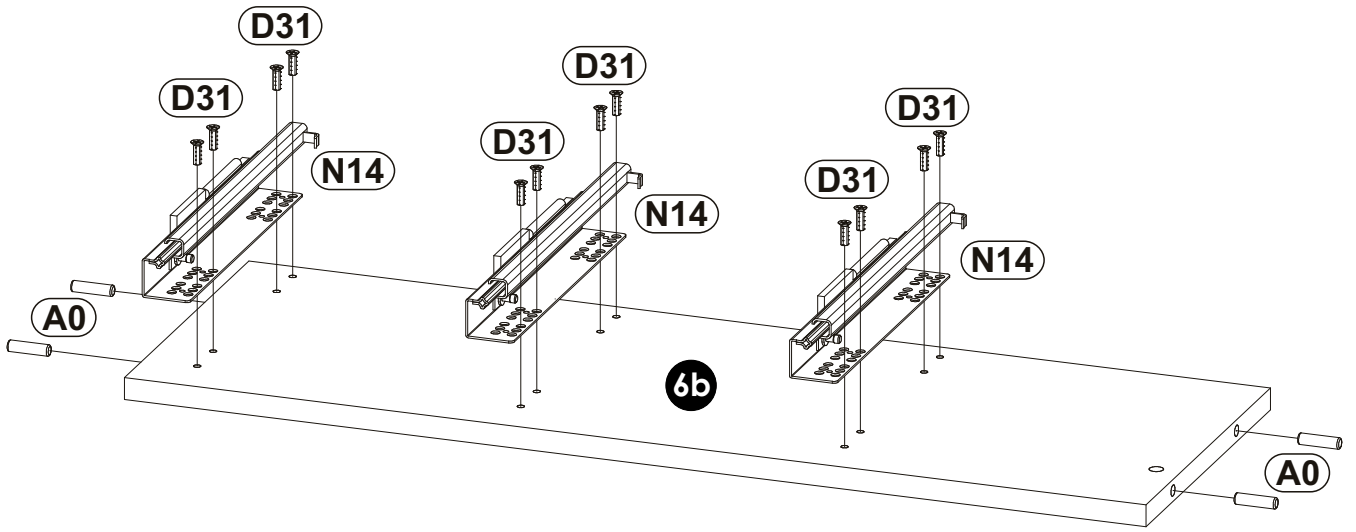
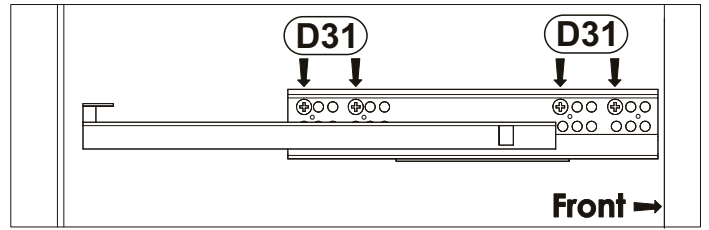
A0	8 x 30mm	x4	C2		x2	C7	16mm	x5
								
T3		x2						
								



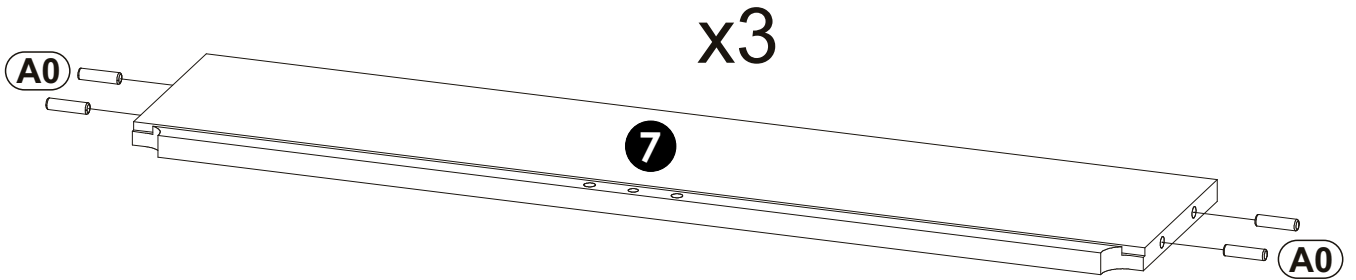
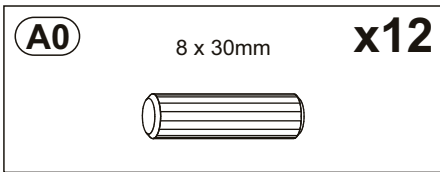
6

A0	8 x 30mm	x8	D31	6.3 x 13 mm	x24	N14	L-350	x3
								

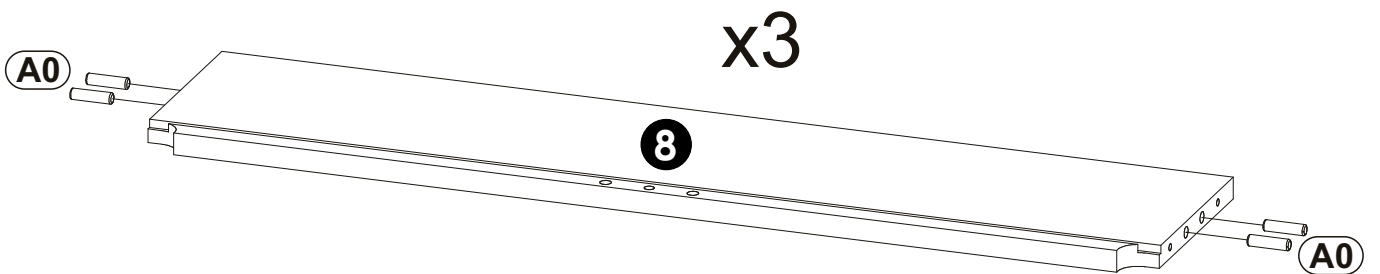
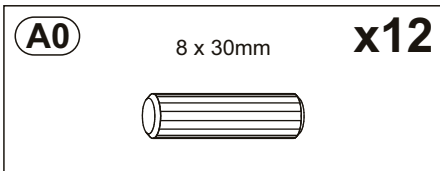




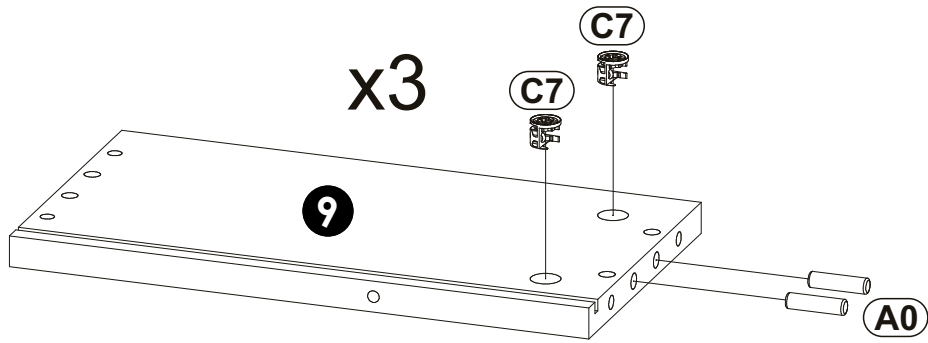
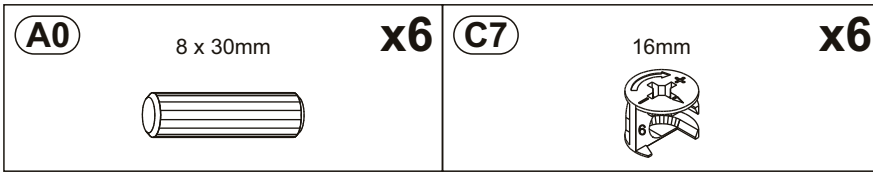
7



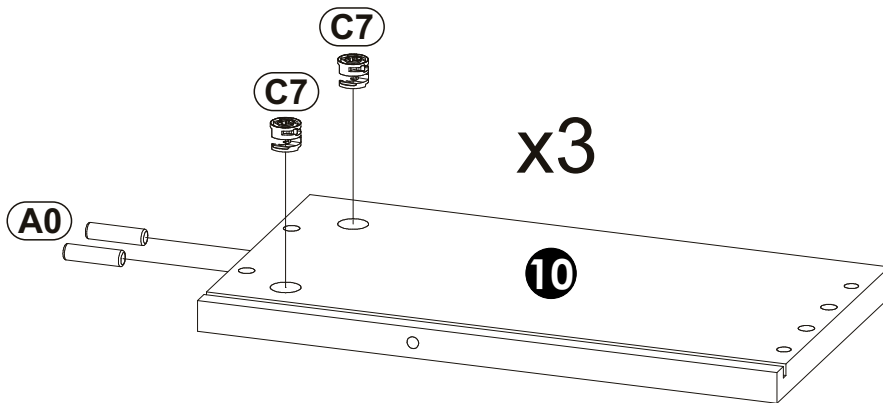
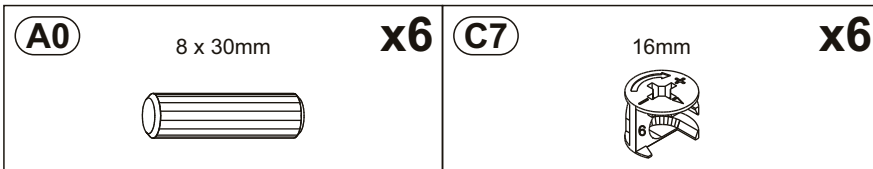
8



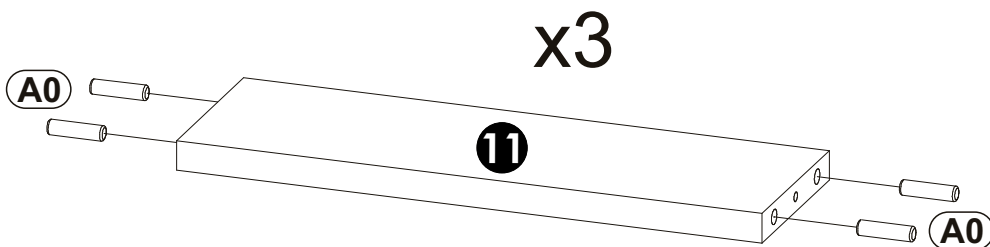
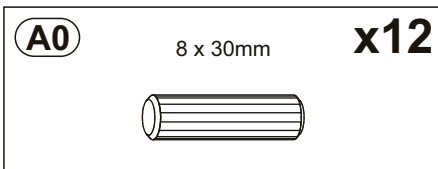
9



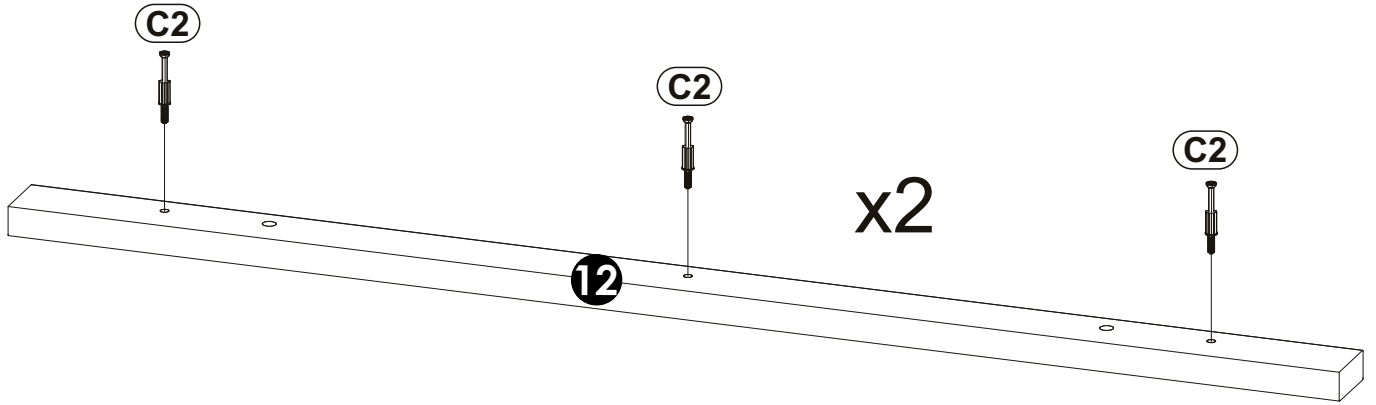
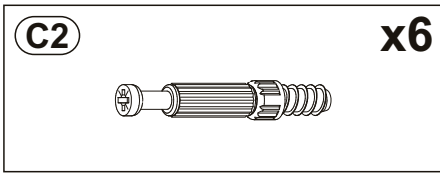
10



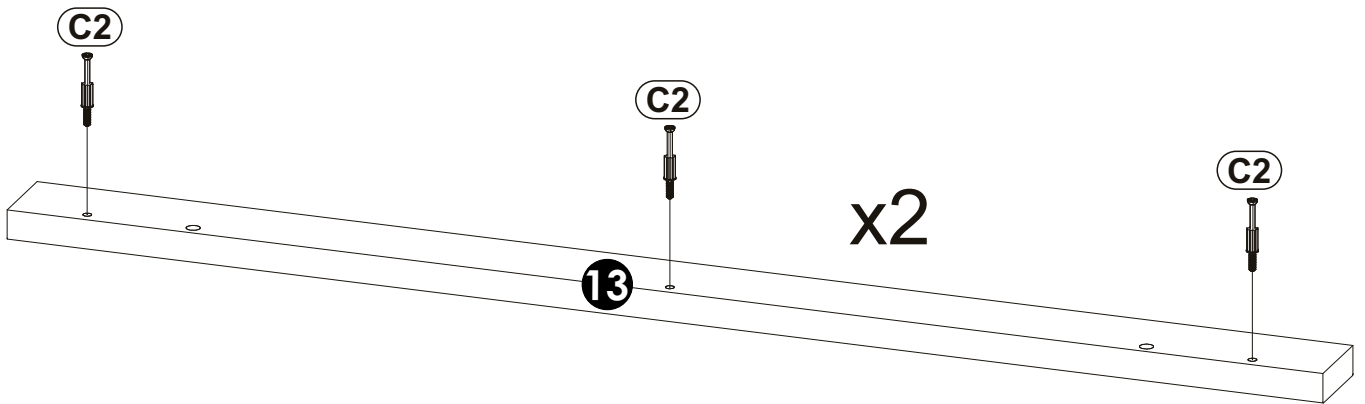
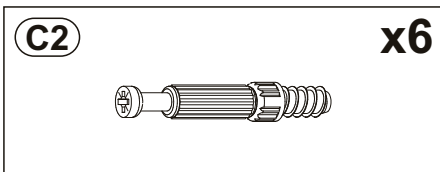
11





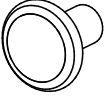
12

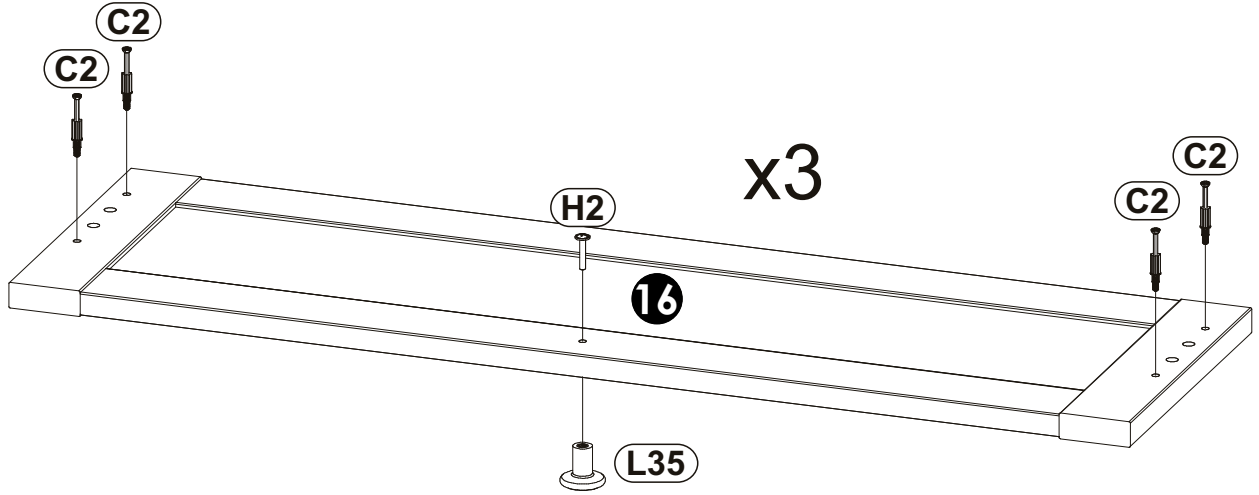


13

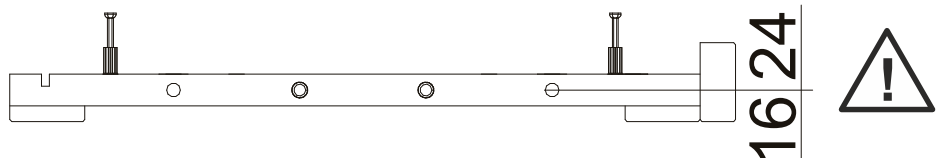
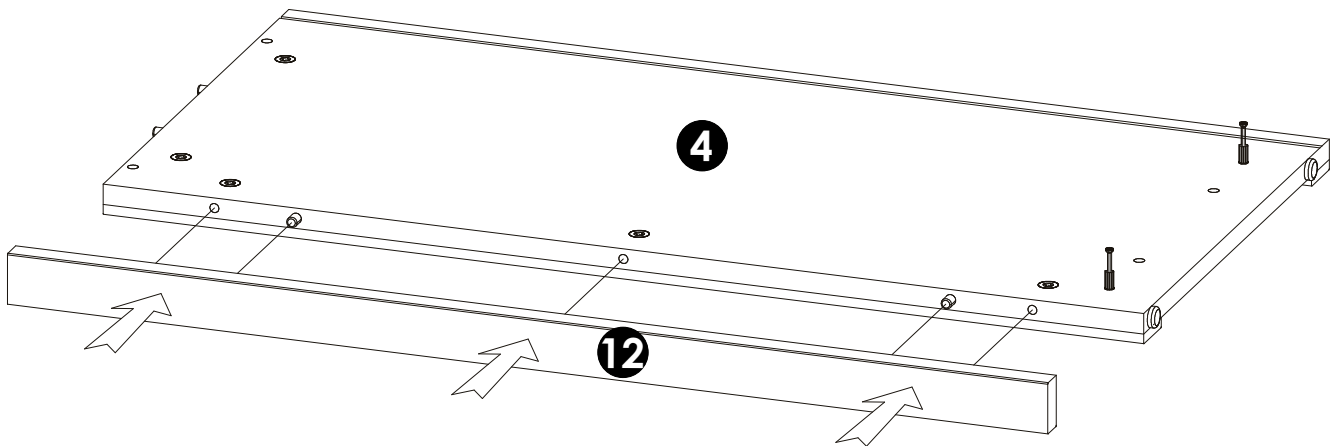
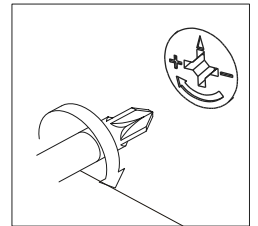


14

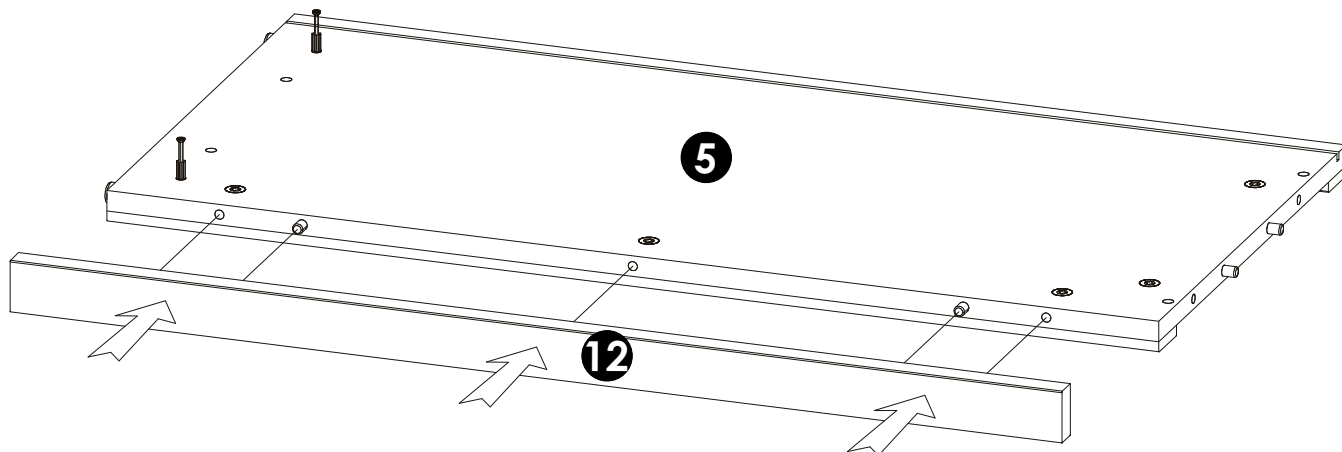
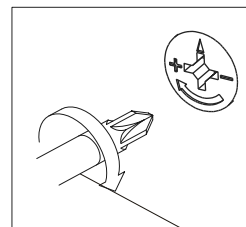
C2 	x12	H2 	4 x 22 mm	x3	L35 	x3
--	------------	--	-----------	-----------	---	-----------



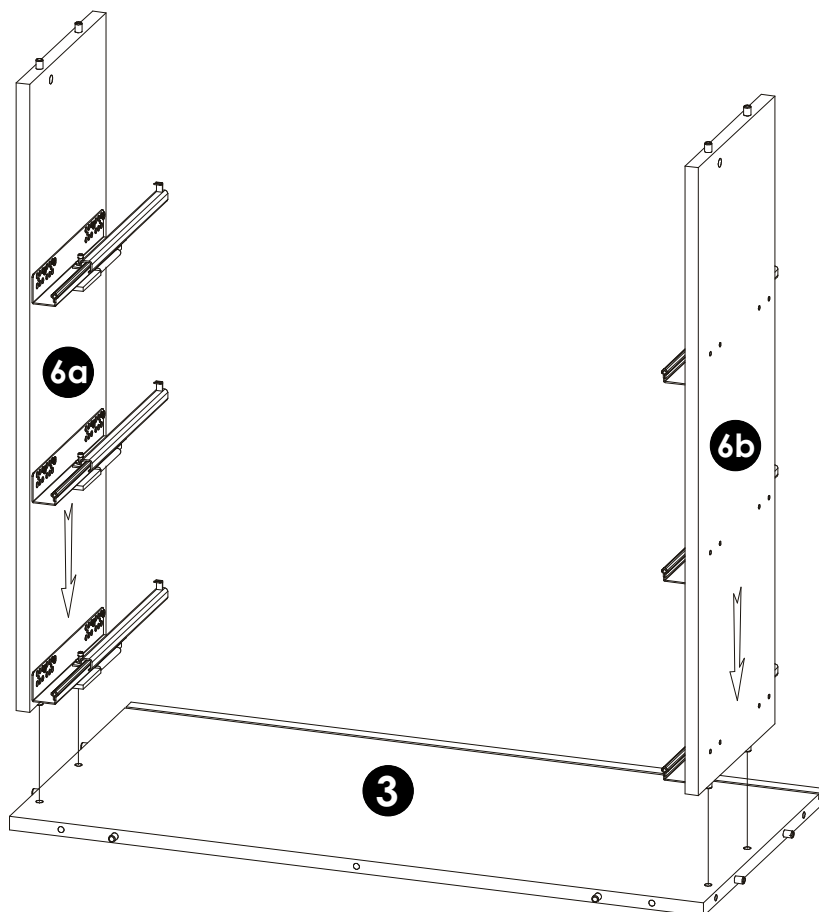
15



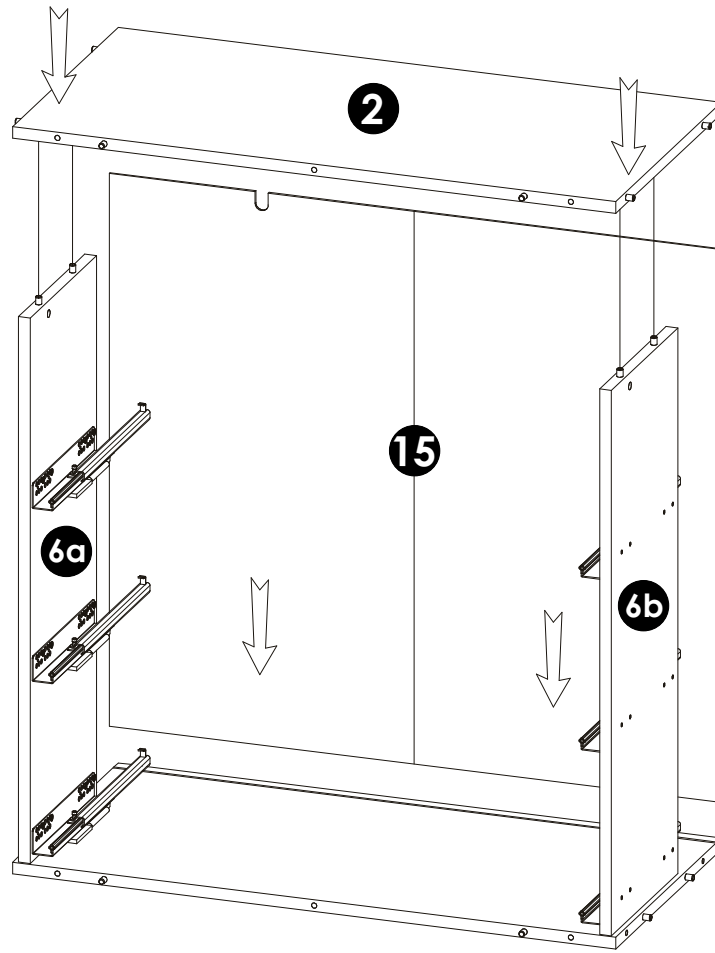
16



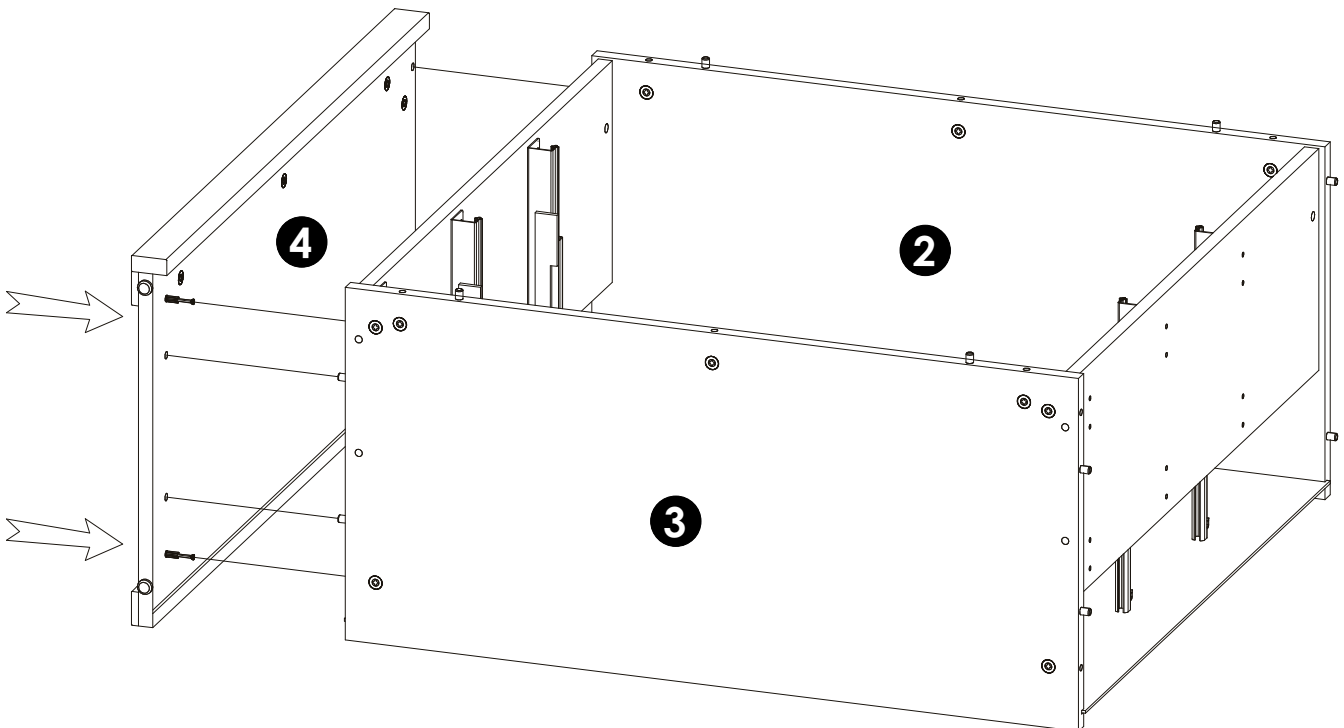
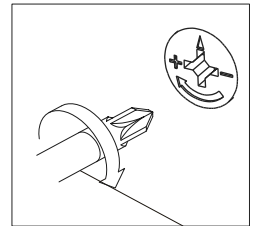
17



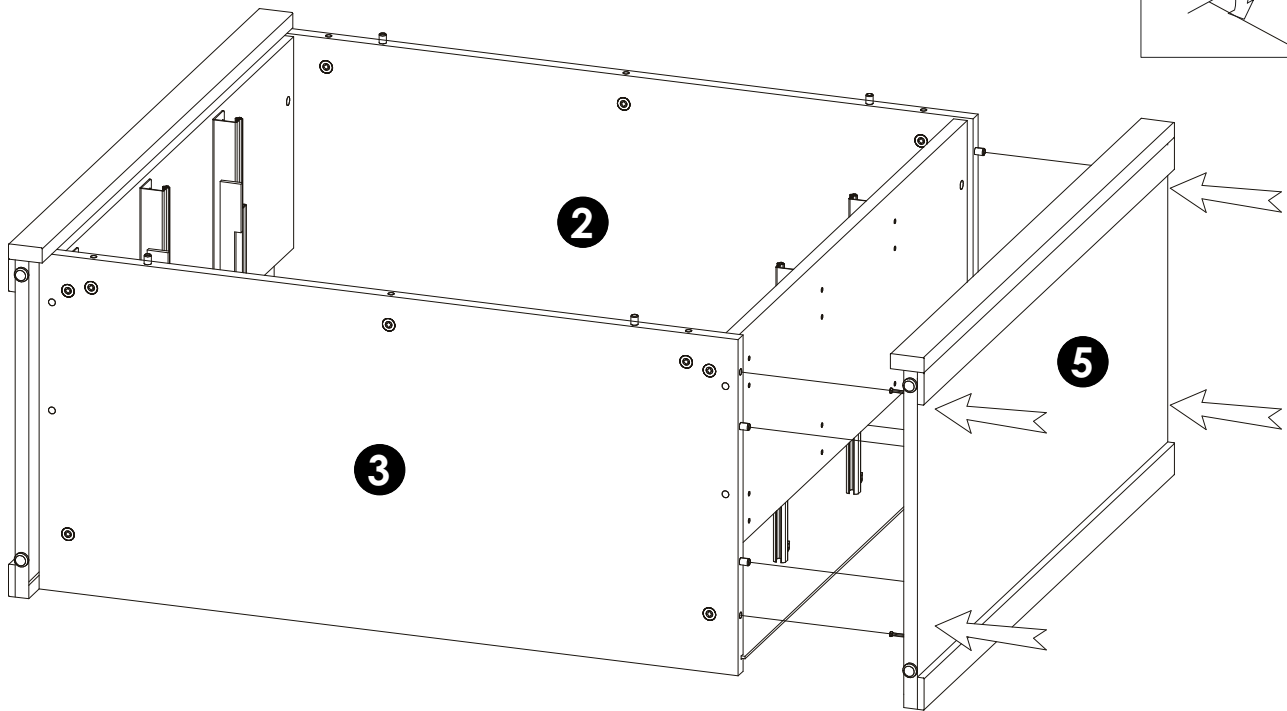
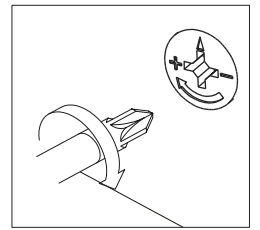
18



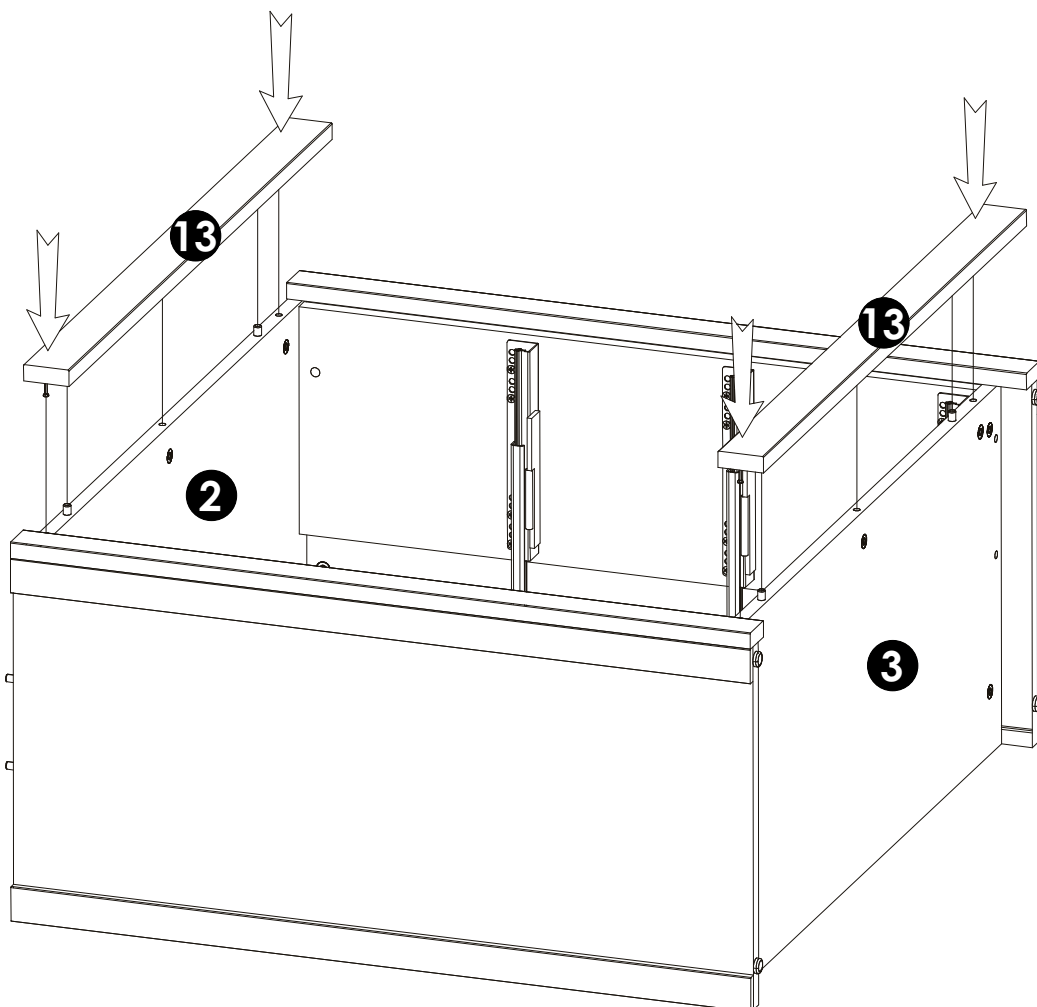
19



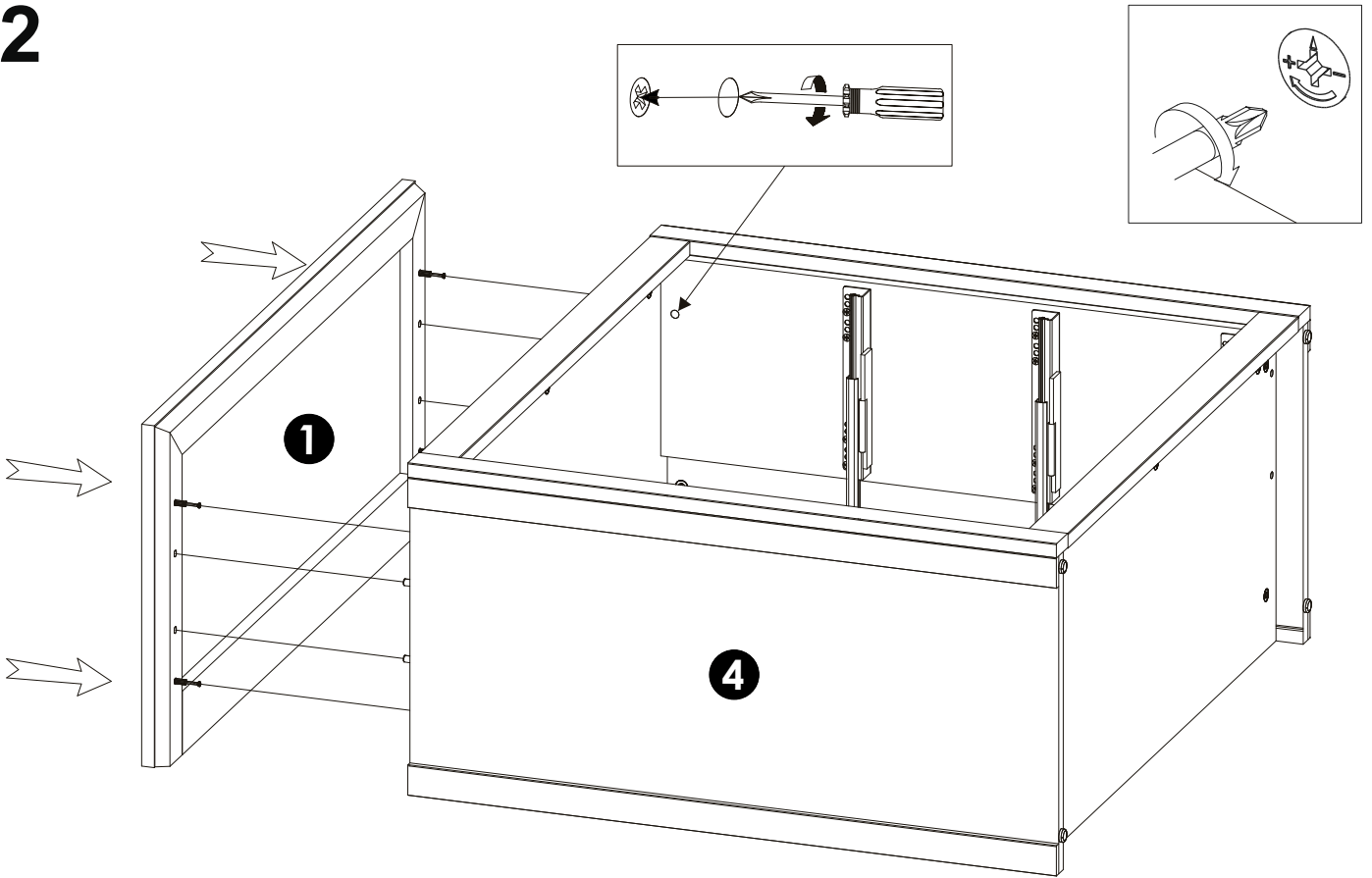
20



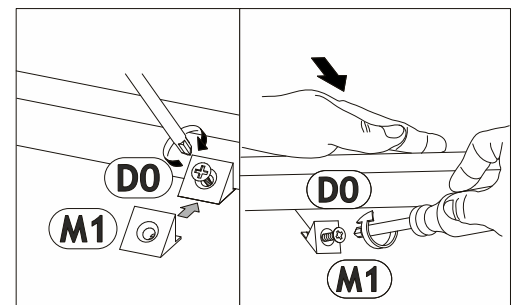
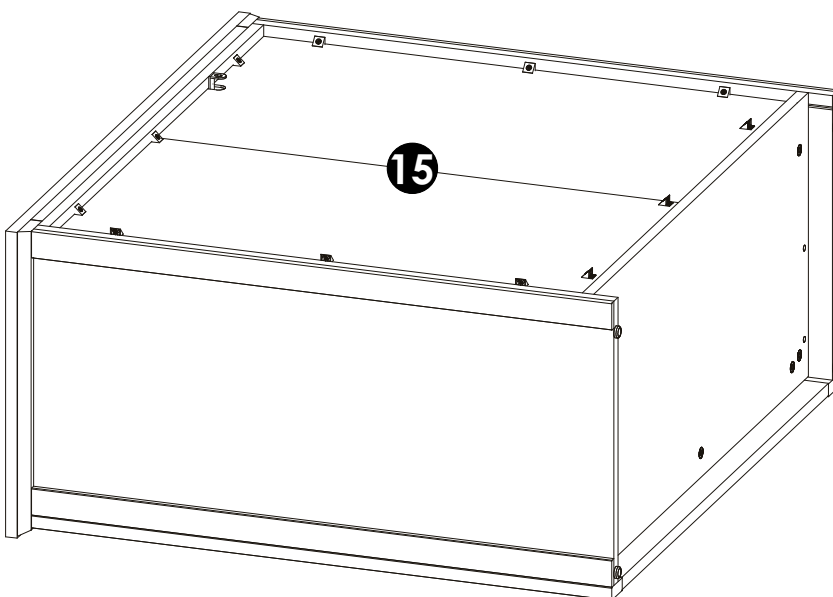
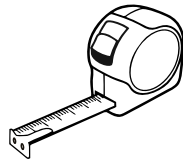
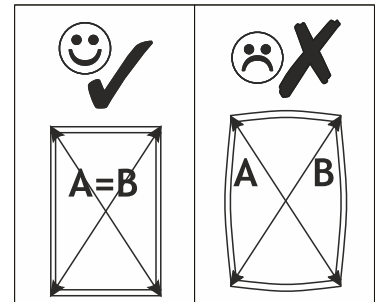
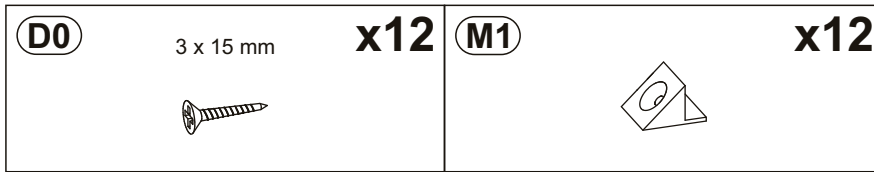
21



22

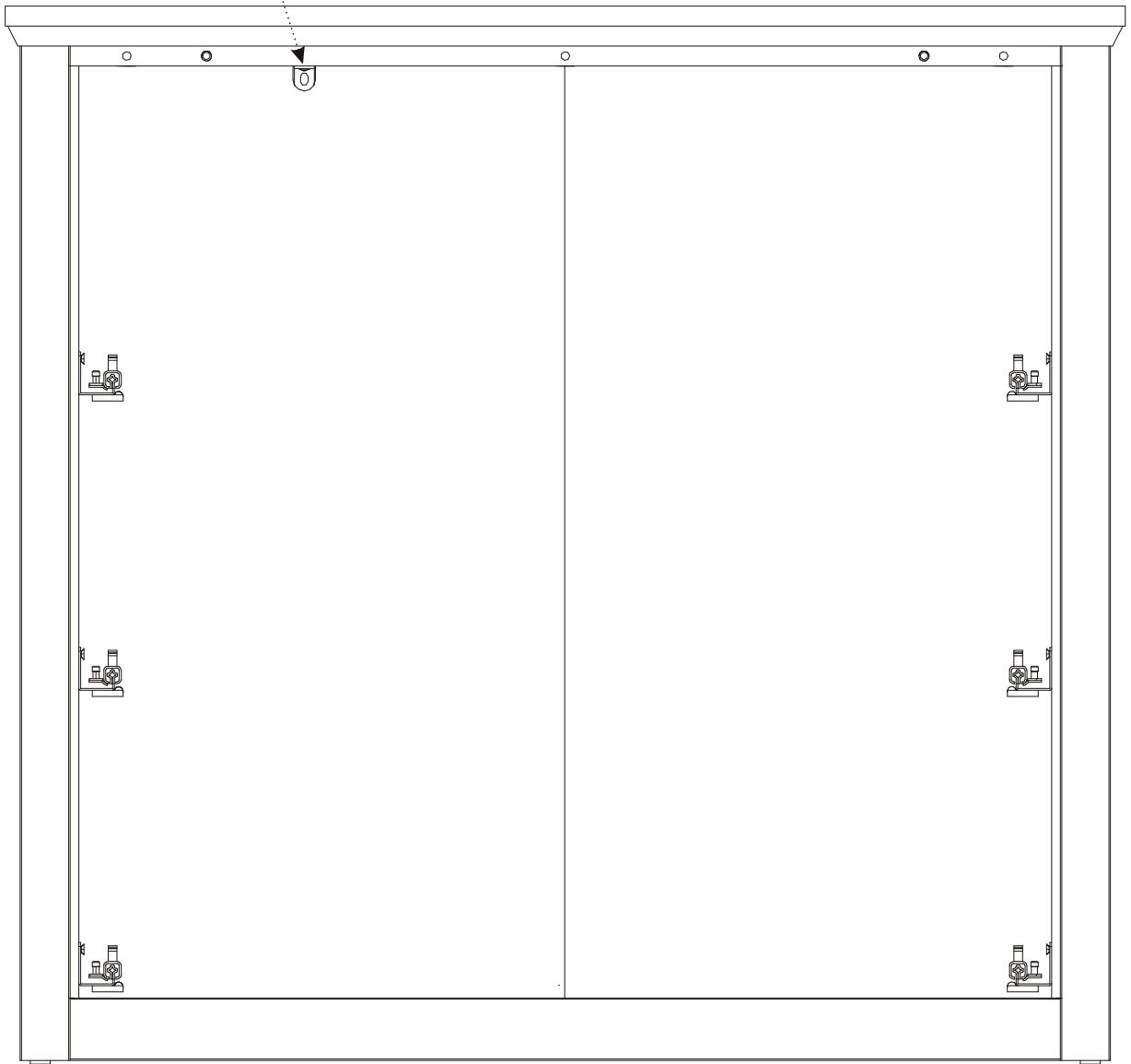


23

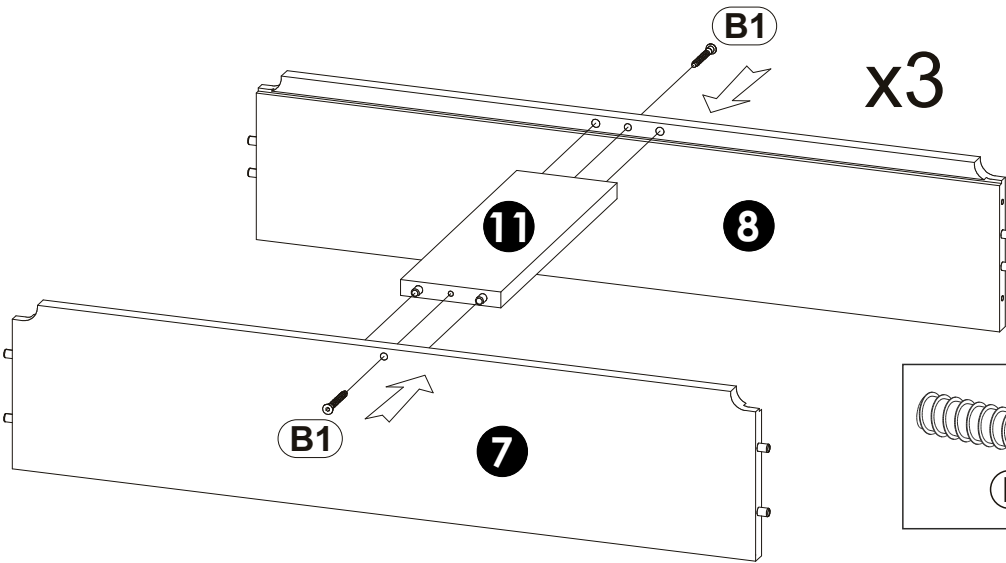
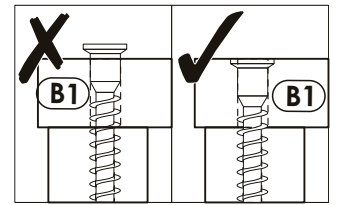
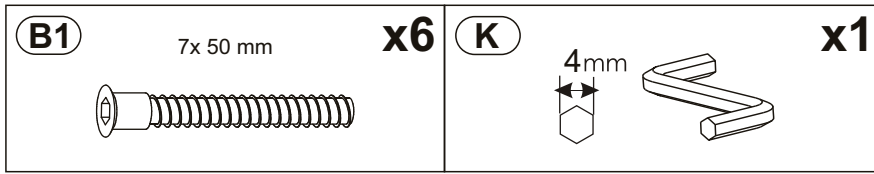


24

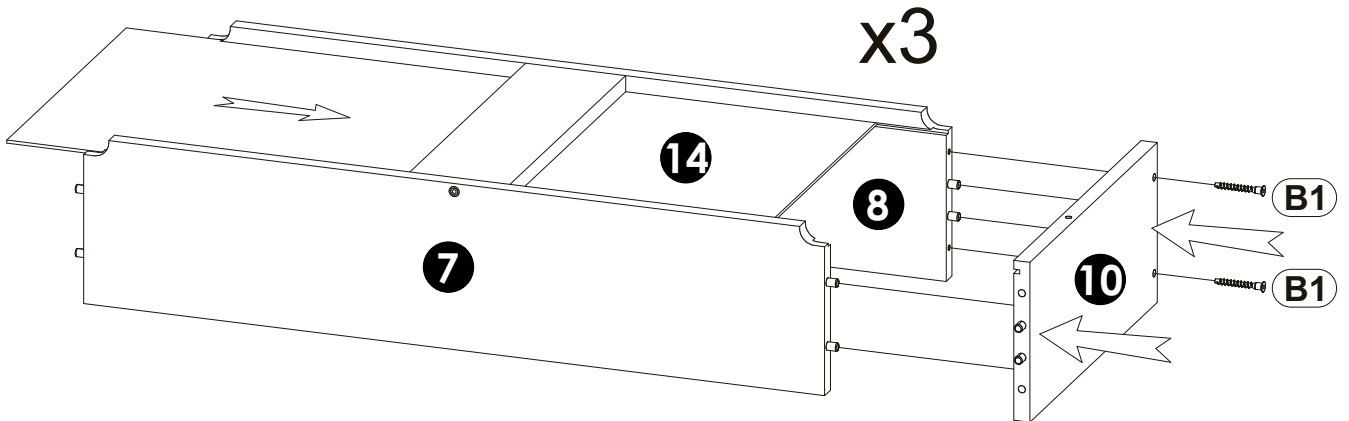
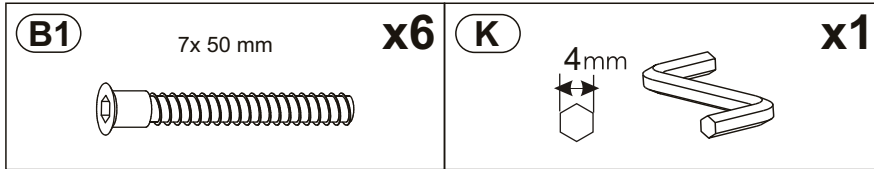
E0 5 x 50 mm **x1**
8 x 50 mm



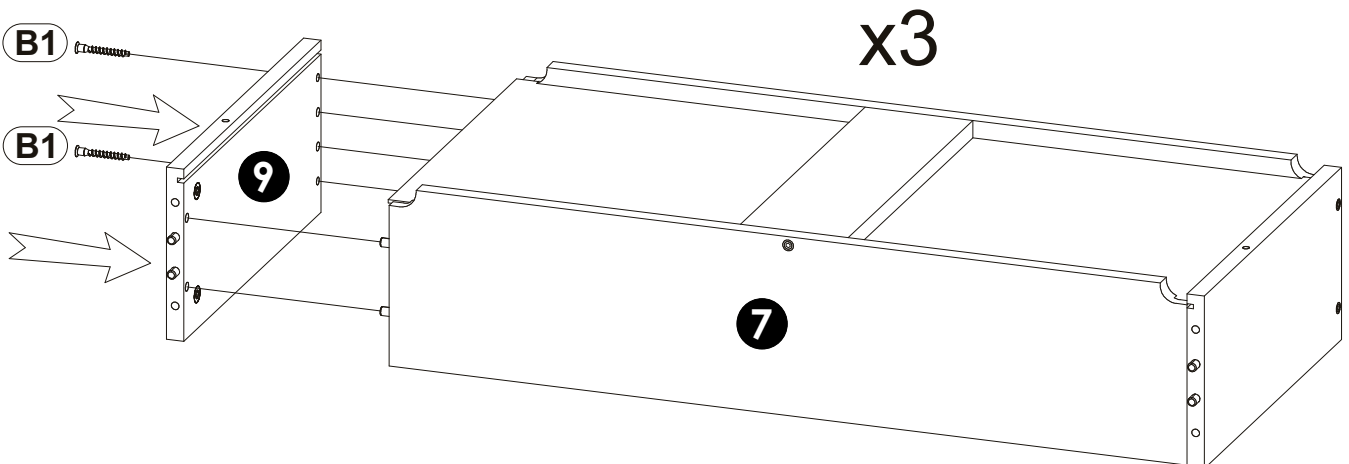
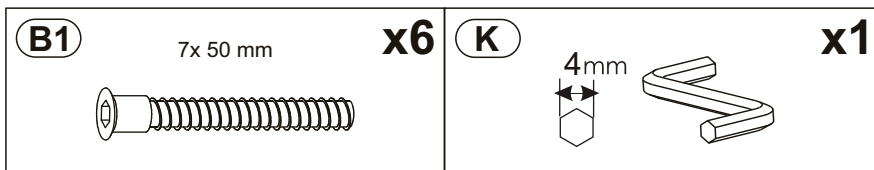
25




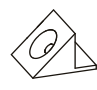
26

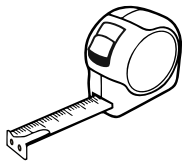
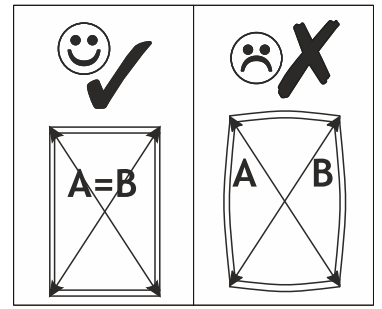


27

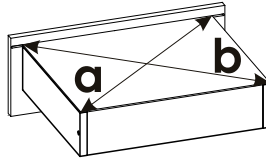


28

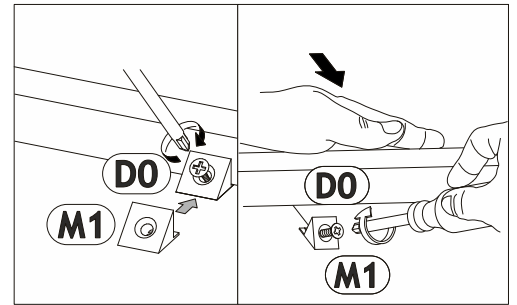
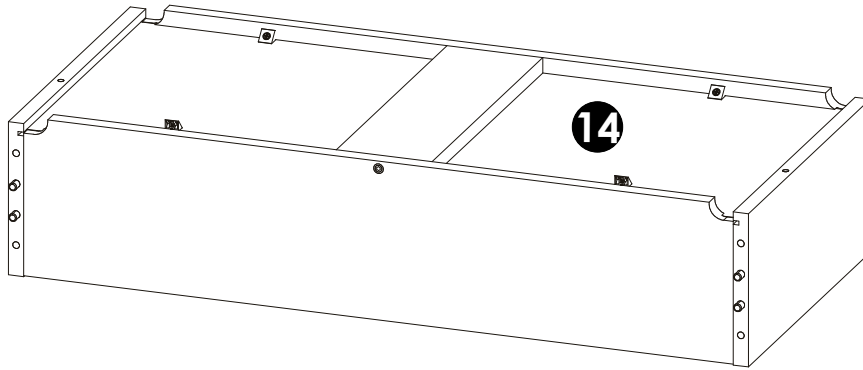
D0	3 x 15 mm	x12	M1		x12
					



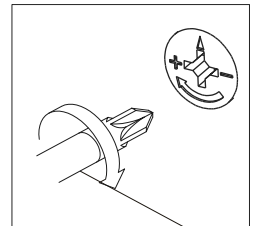
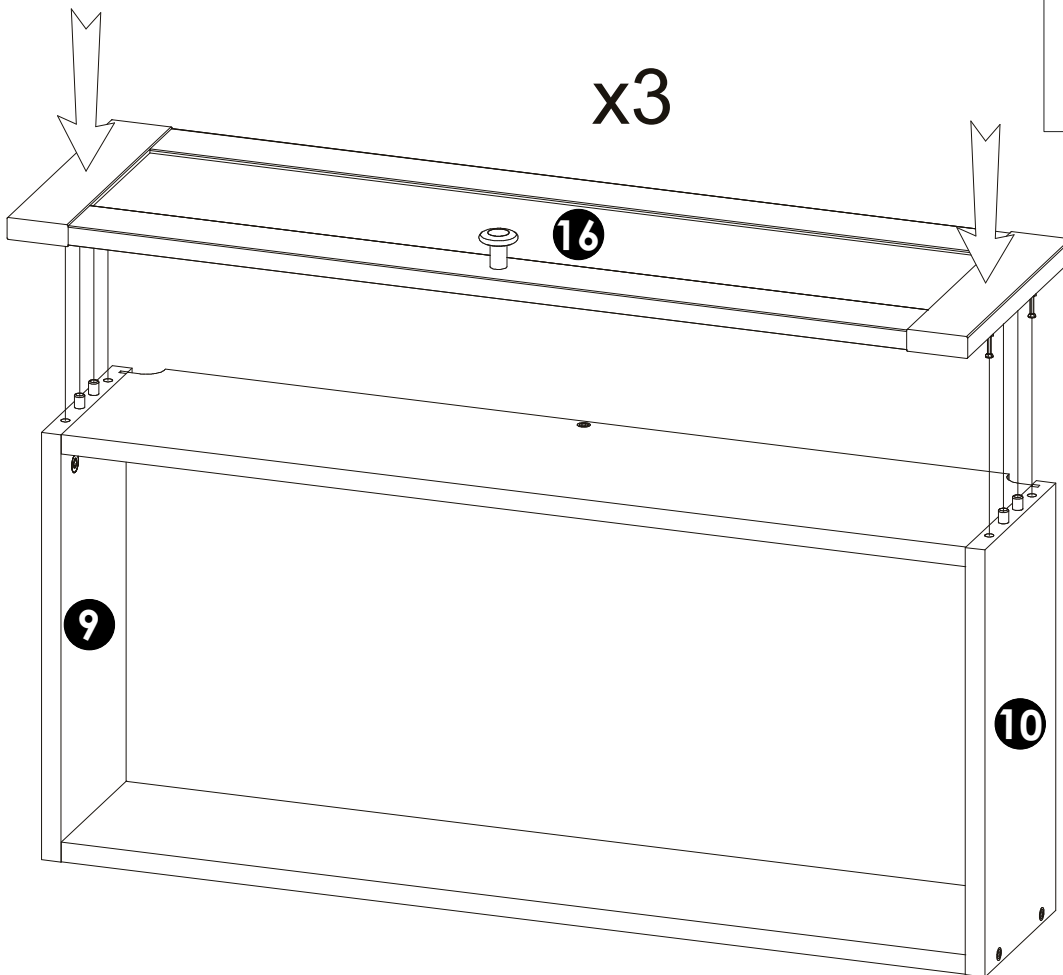
a=b

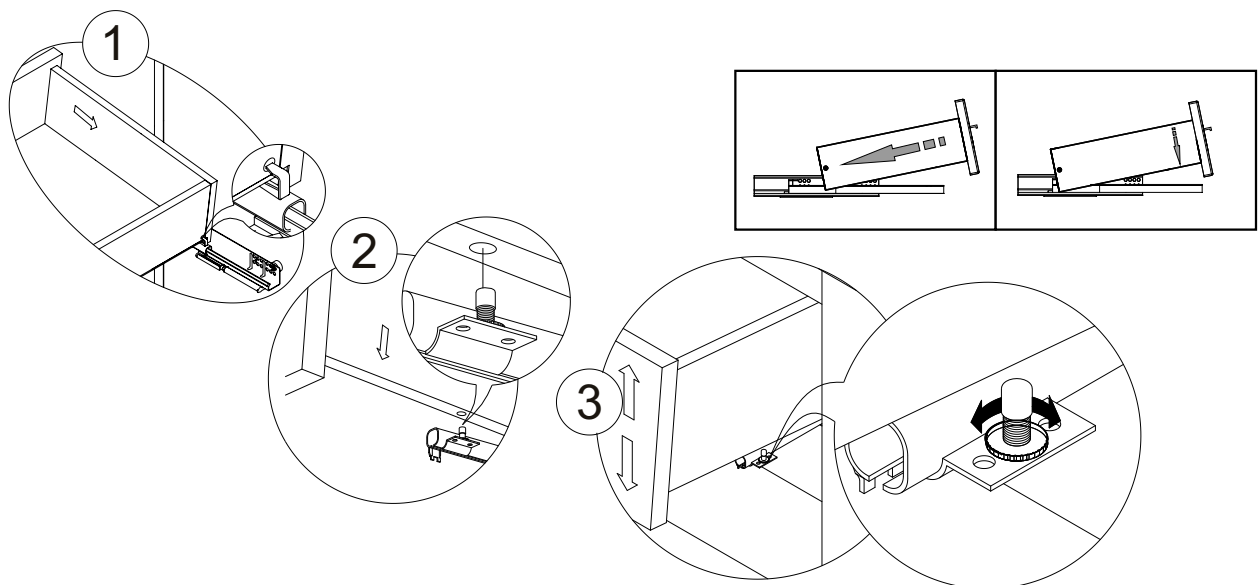
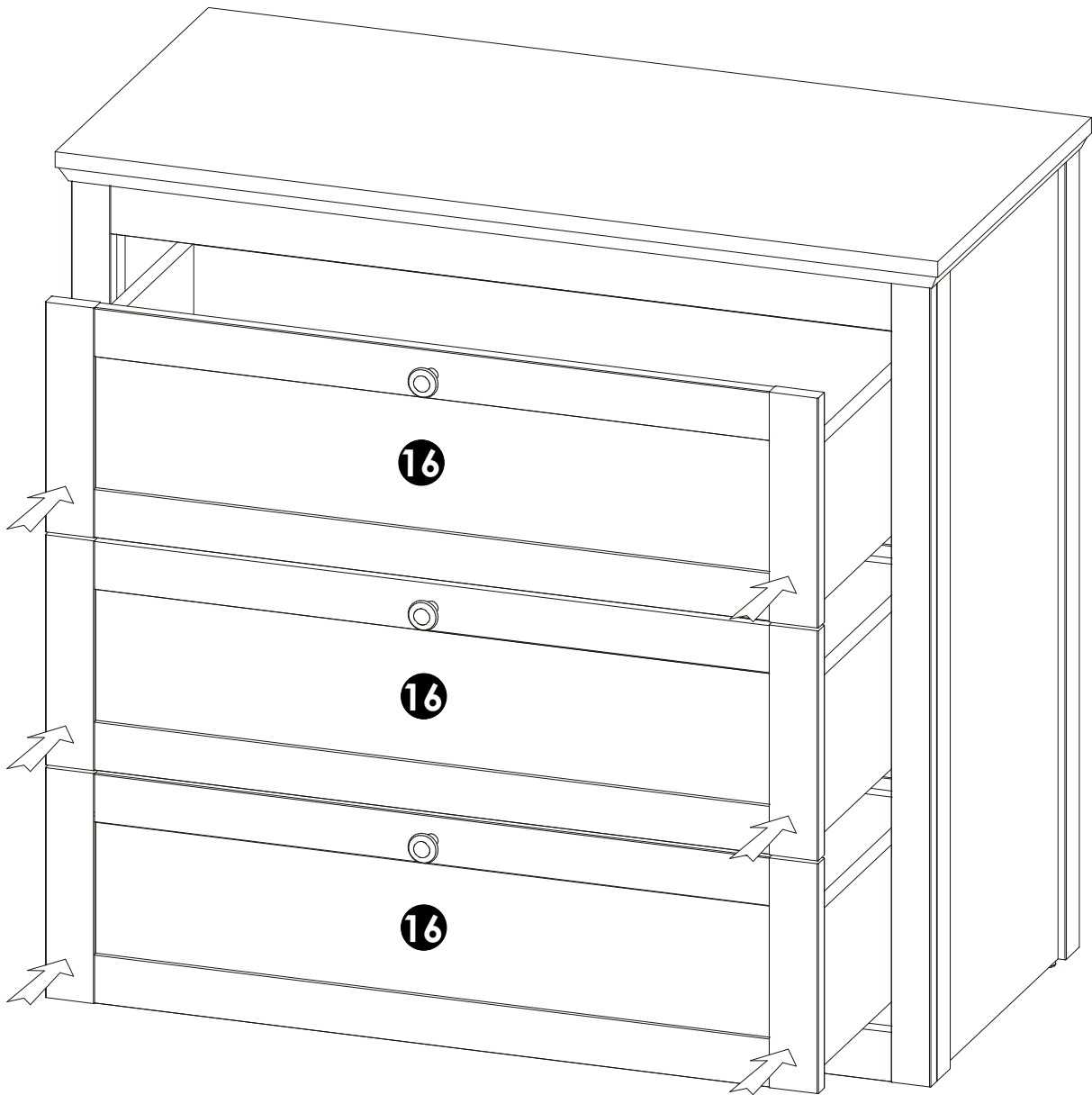


x3



29





31

