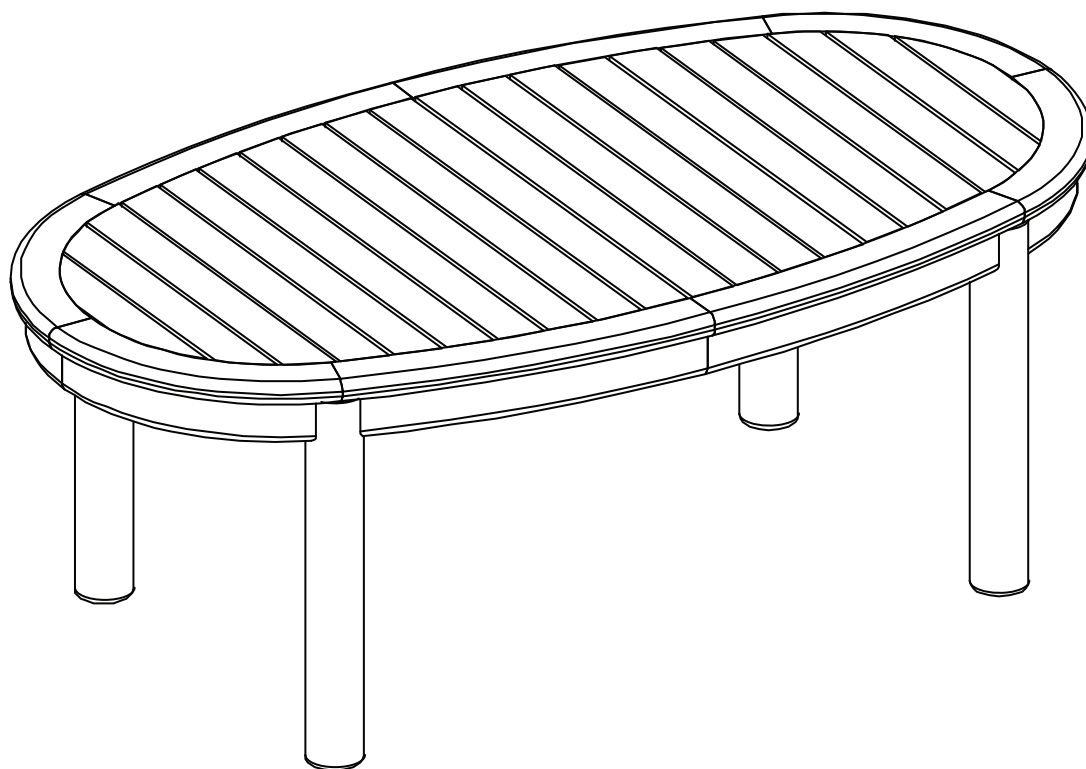





# ASSEMBLY INSTRUCTIONS

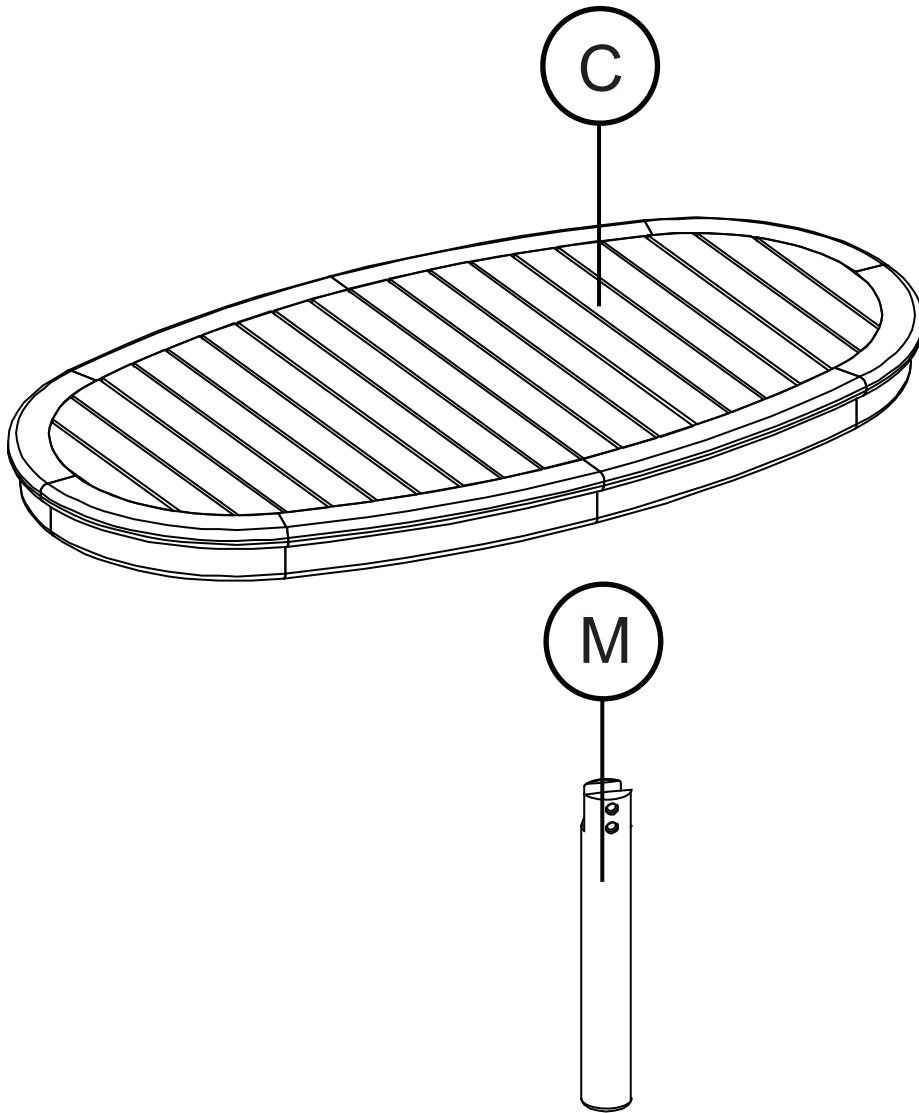
## COLOMBIA COFFEE TABLE



### HARDWARE LIST

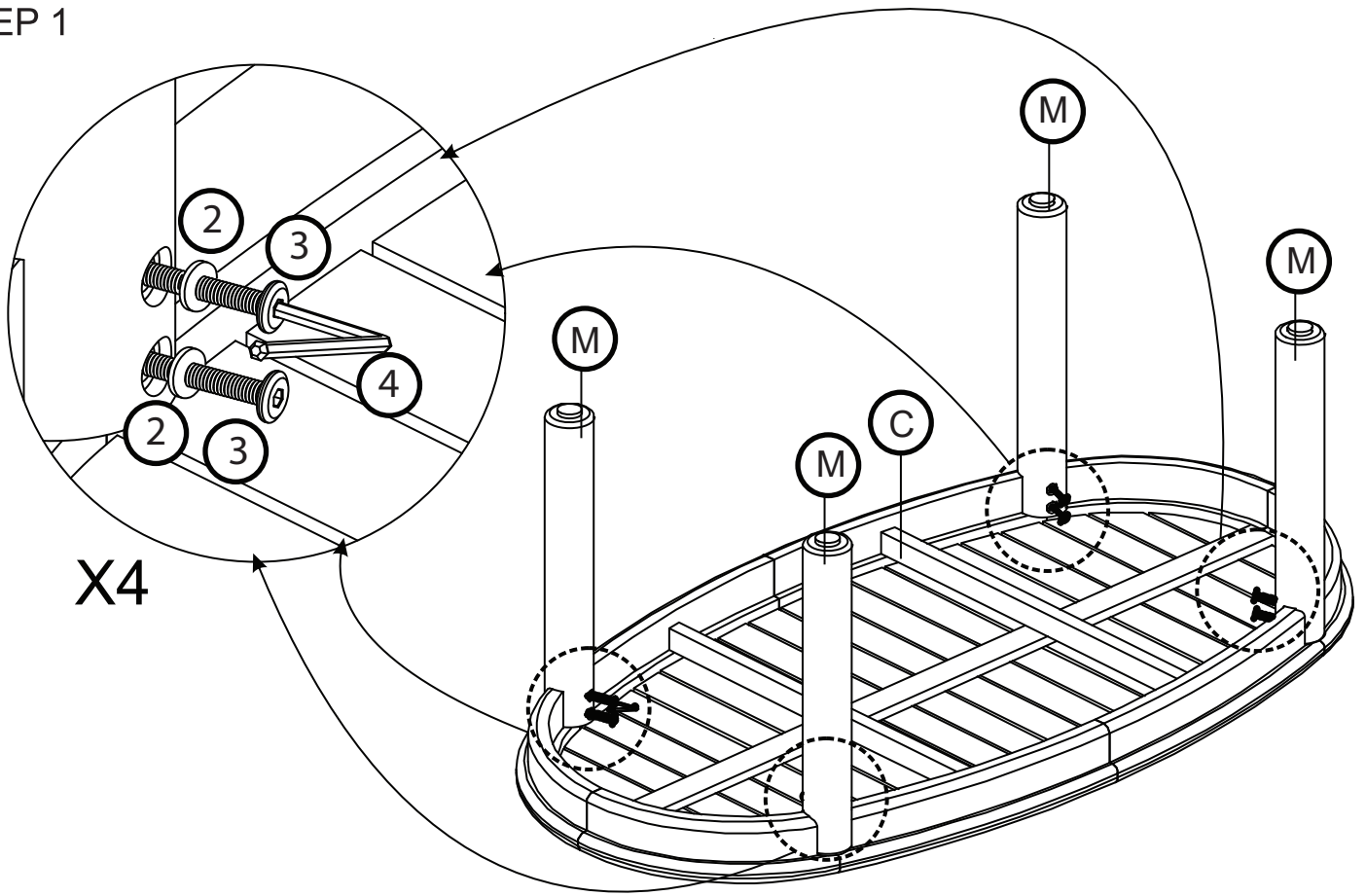
NO.		NAME	QTY'
②		WASHER M14 X 6.5 X 1 MM	8
③		BOLT M6 X 35 MM	8
④		ALLEN KEY M4 X 75 MM	1

# PART LIST



NO.	PART NAME	QTY'
Ⓒ	TABLE TOP	1
Ⓜ	TABLE LEG	4

STEP 1



FINISHED

