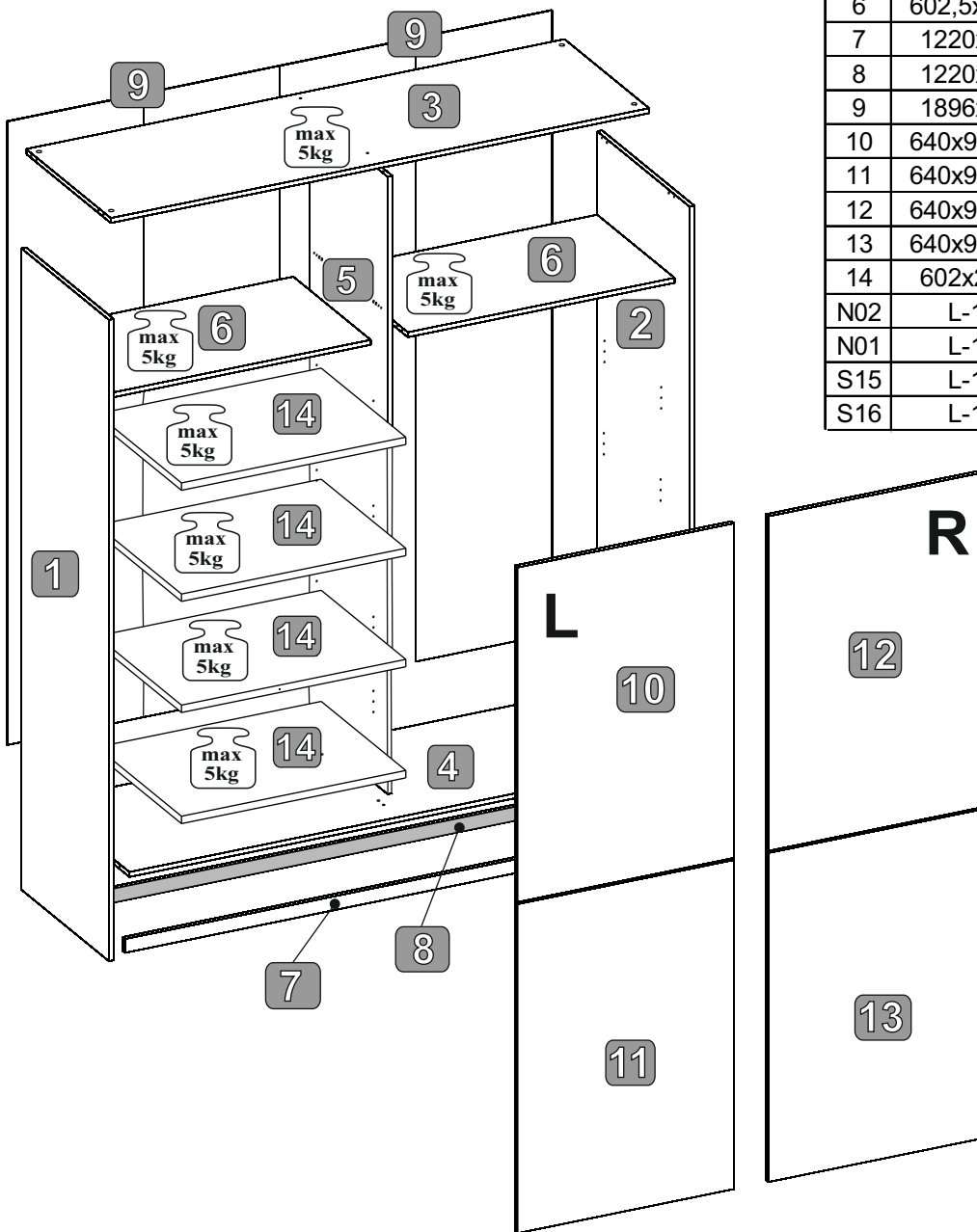

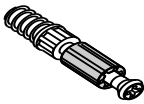

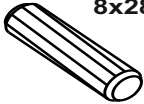
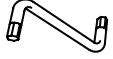






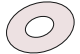
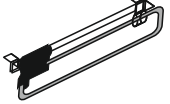


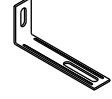


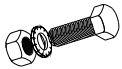
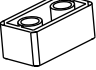

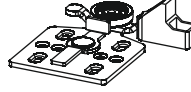
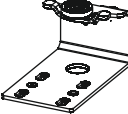
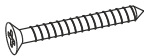
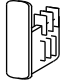
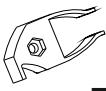
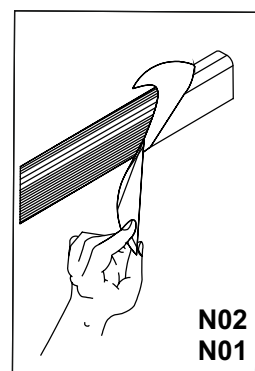
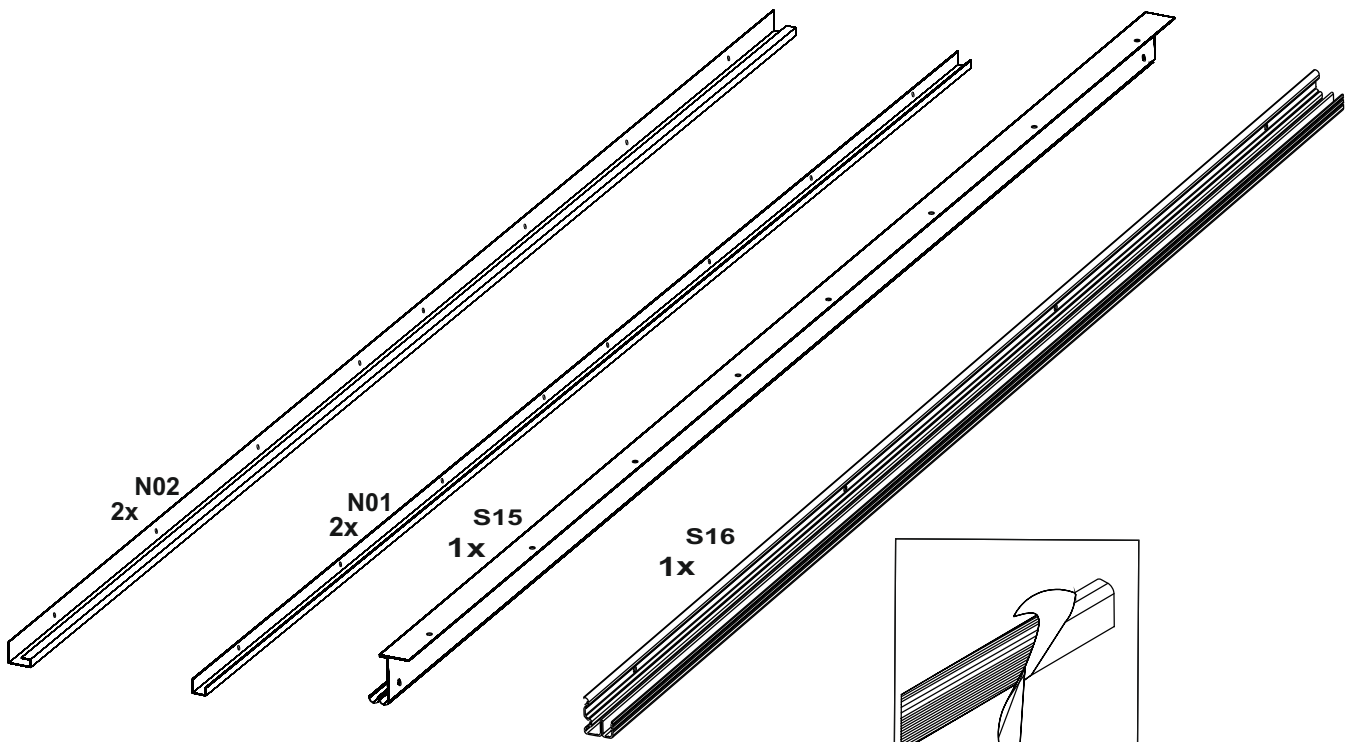


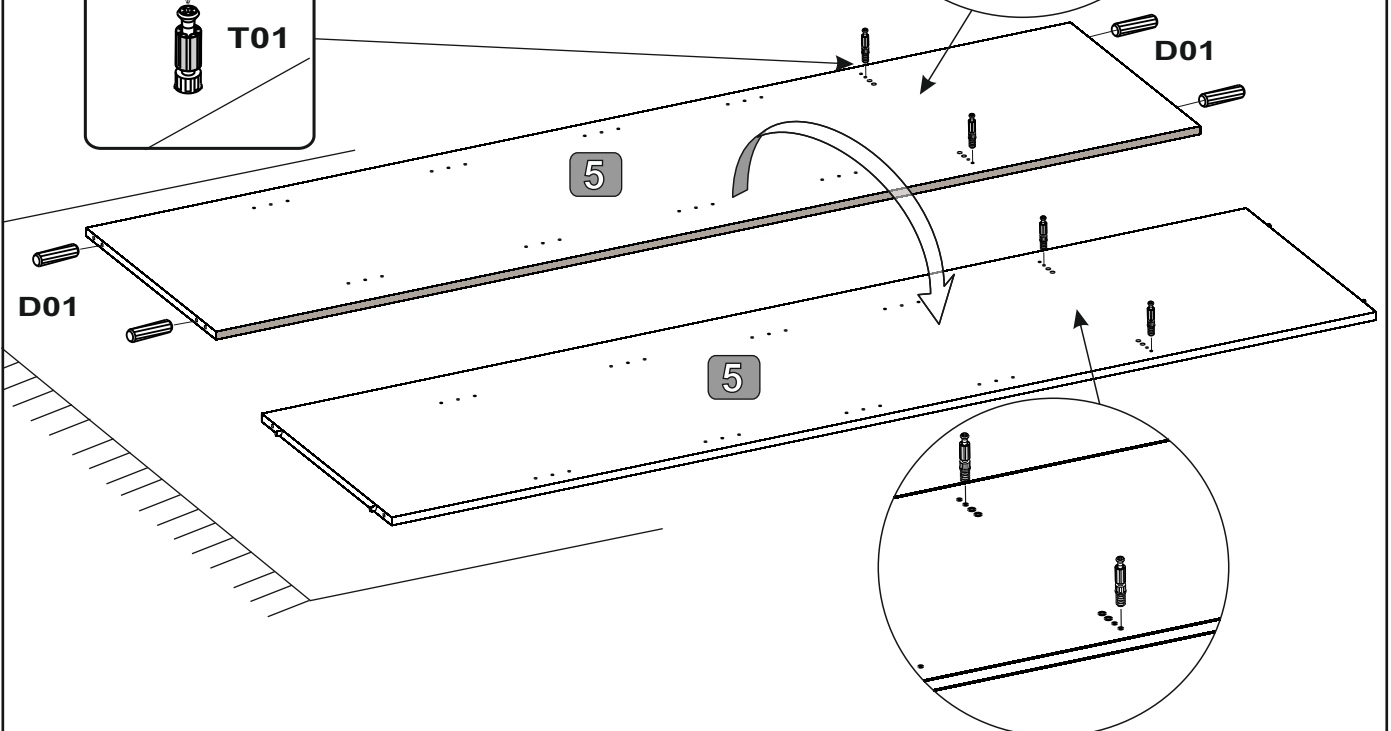
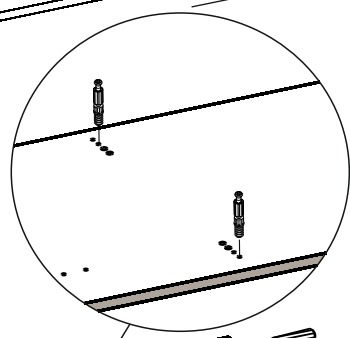
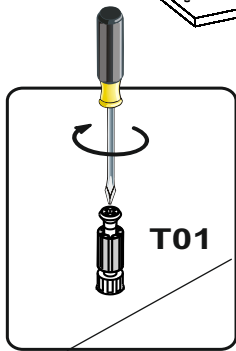
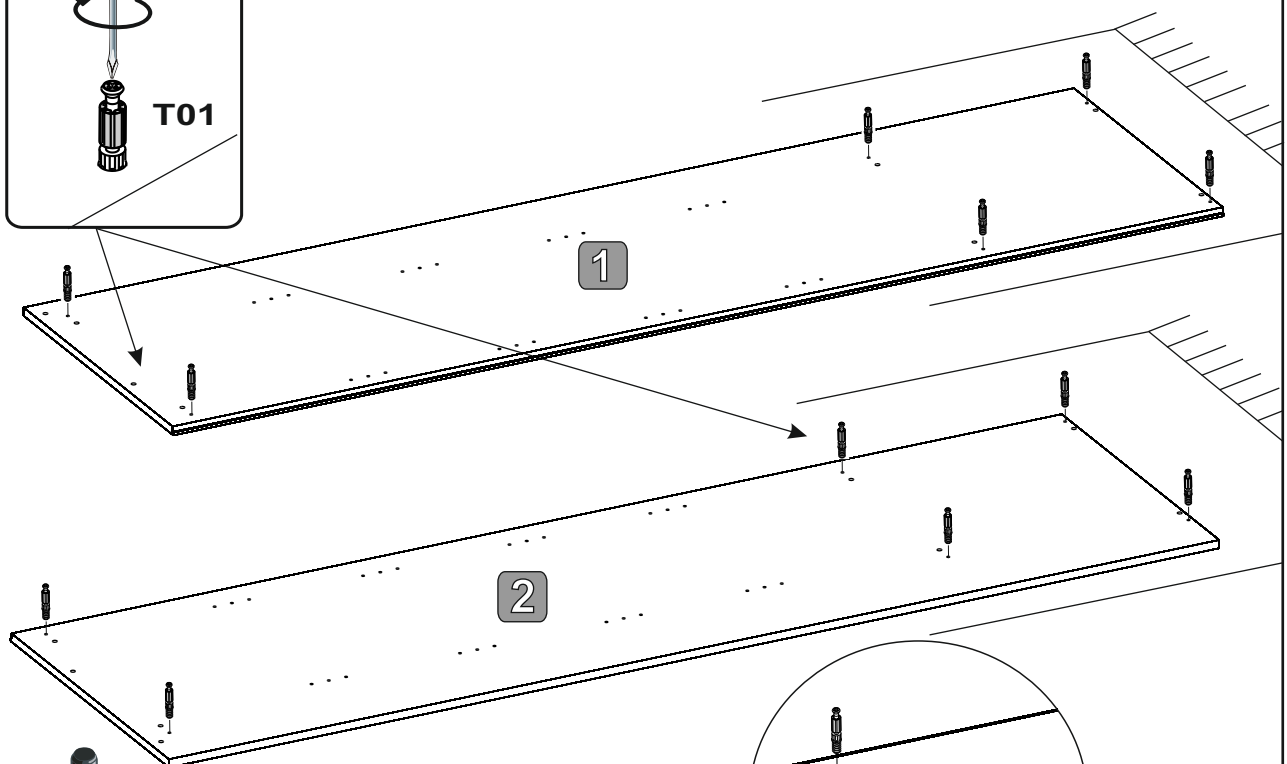
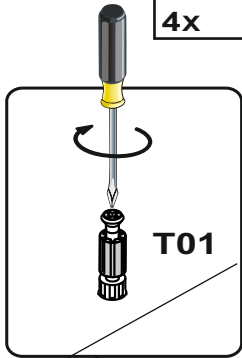
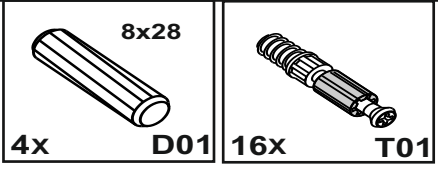
NR	DIM	QTE	COLLI
1	1950x324x15	1	1/2
2	1950x353x15	1	1/2
3	1220x305x15	1	1/2
4	1220x321x15	1	1/2
5	1877x265x15	1	1/2
6	602,5x260x15	2	1/2
7	1220x42x15	1	1/2
8	1220x42x15	1	1/2
9	1896x619x2	2	1/2
10	640x962,5x15	1	2/2
11	640x962,5x15	1	2/2
12	640x962,5x15	1	2/2
13	640x962,5x15	1	2/2
14	602x260x15	4	1/2
N02	L-1925	2	1/2
N01	L-1925	2	1/2
S15	L-1218	1	1/2
S16	L-1218	1	1/2



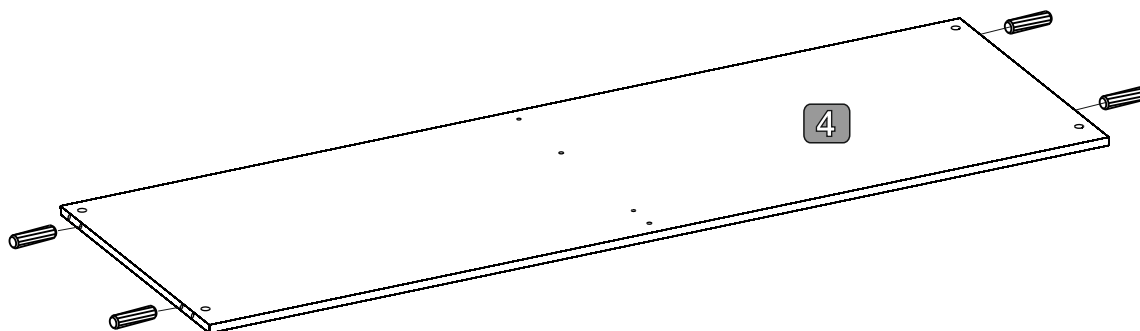
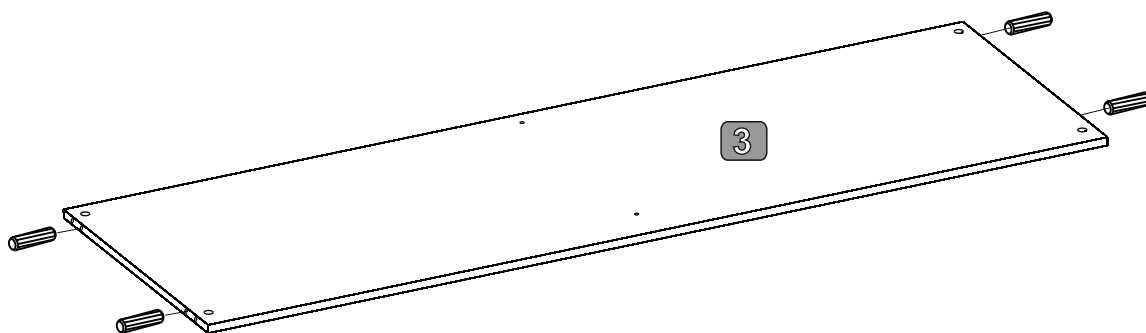
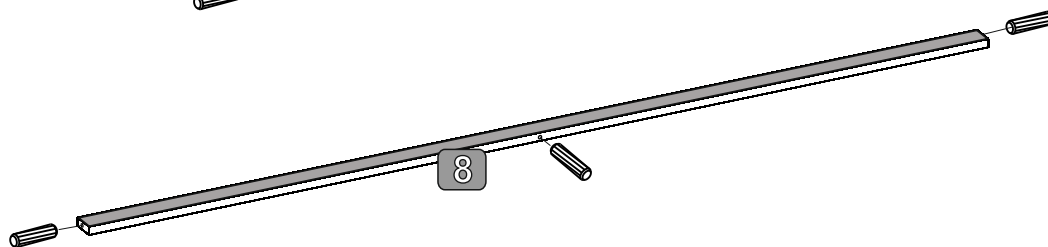
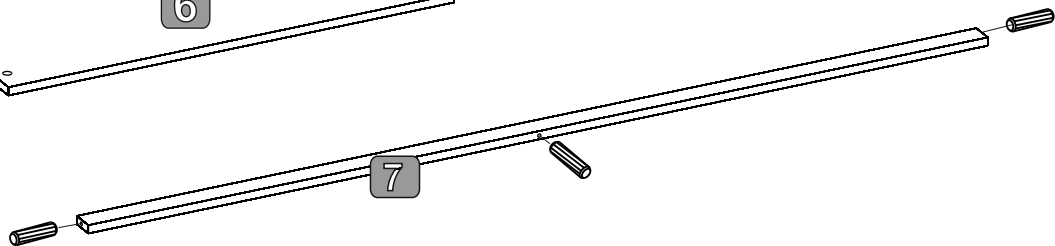
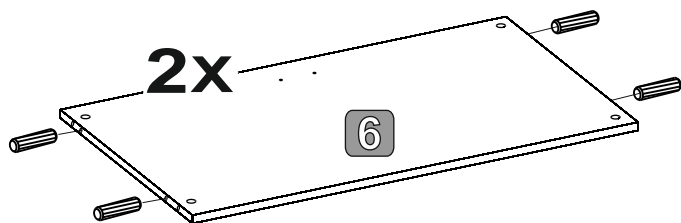
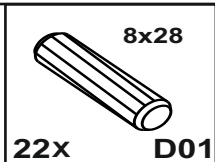
 16X T02	 16X T01	 60X G01	 8x28 26X D01	 1X K01	 7x50 4X W06
 4X W08	 3x13 5X W02	 16X E01	 6X S01	 4x13 2X W07	 4X R01
 1X Q01	 3,5x13 9X W05	 3,5x13 81X W01	 2X P01	 2X S14	 2X S13
 2X W05S	 2X E05	 1X S10	 1X S11	 2X S12	 3,5x25 4X W36
 H-29 4X ZA3	 2X E04				



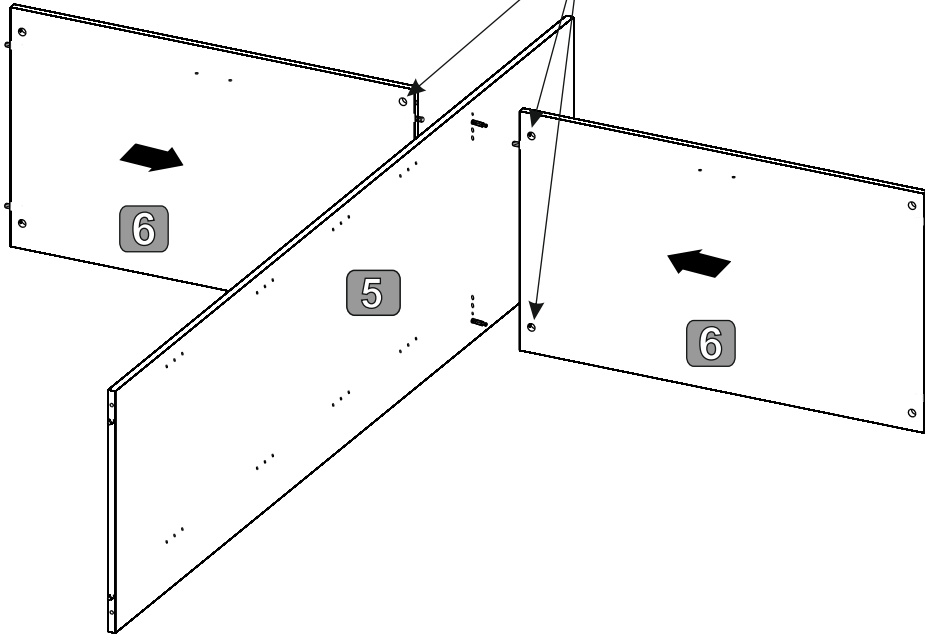
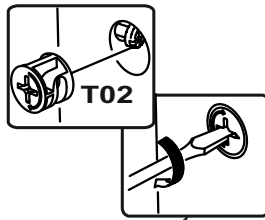
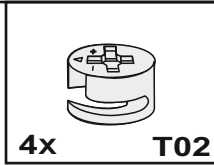
1



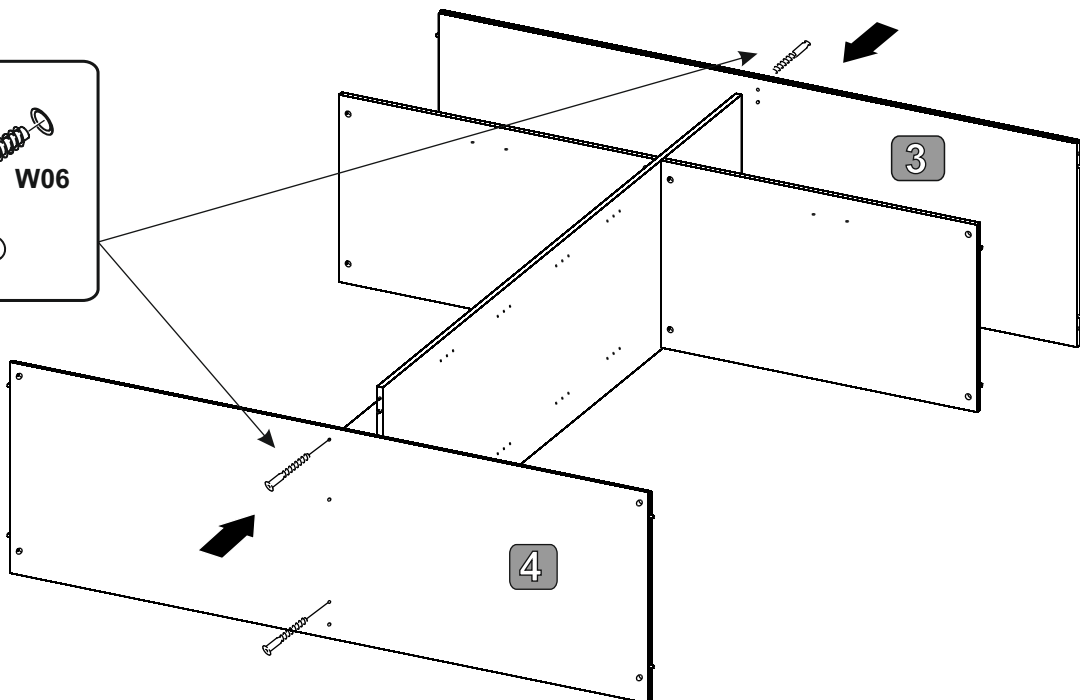
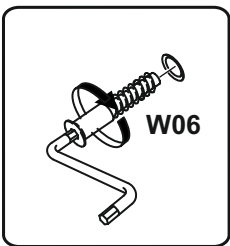
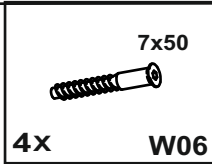
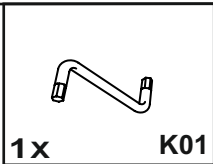
2



3

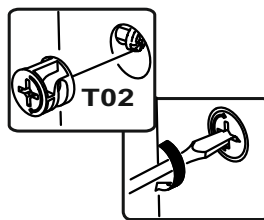


4

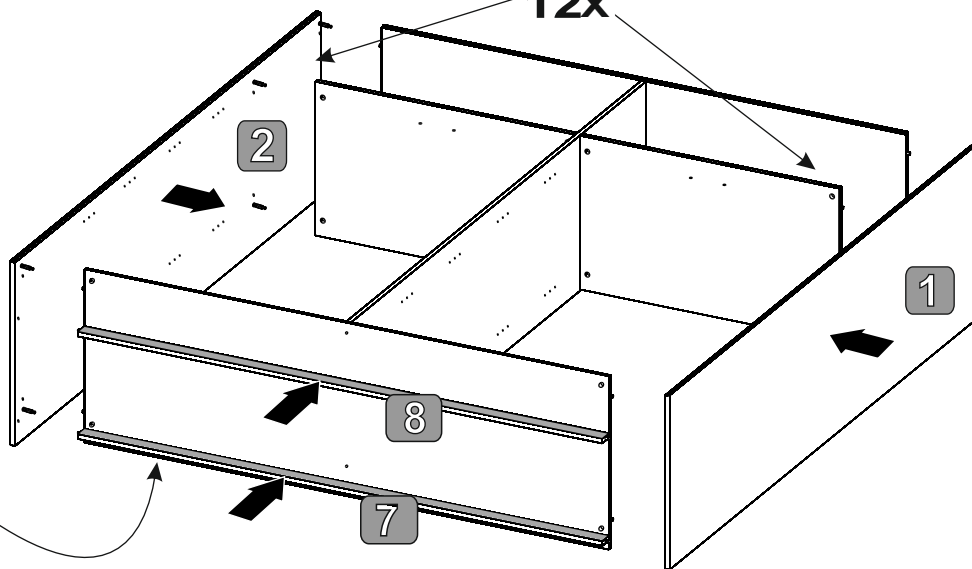
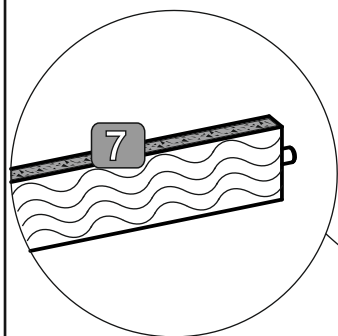
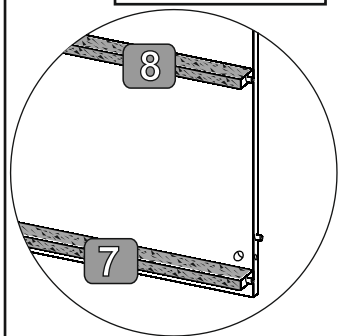


5

12x T02



12x



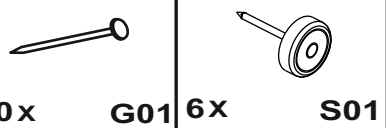
6

60x

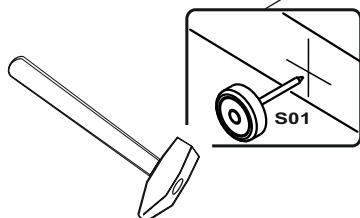
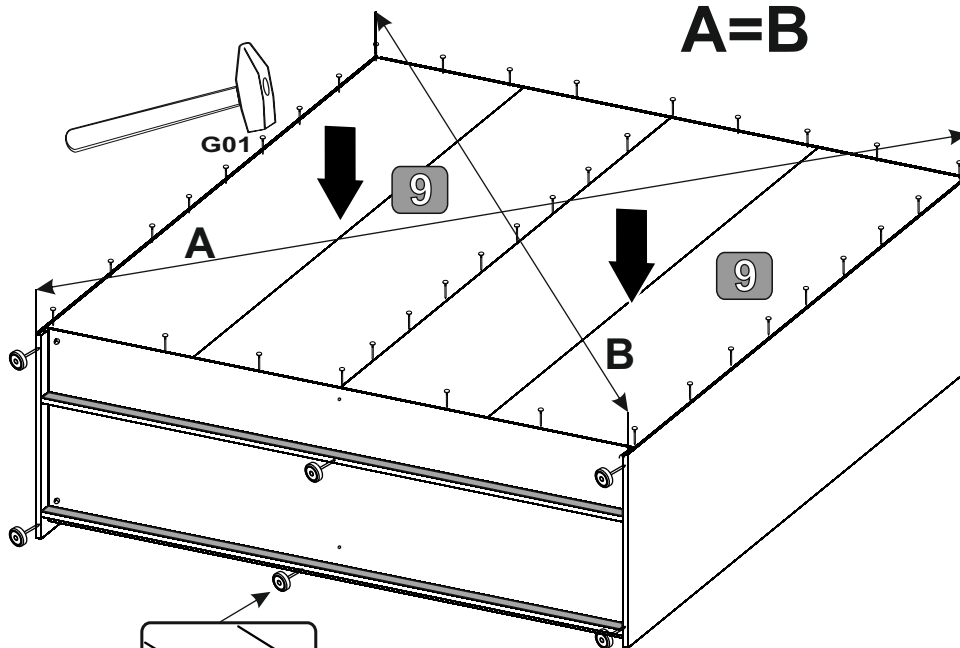
G01

6x

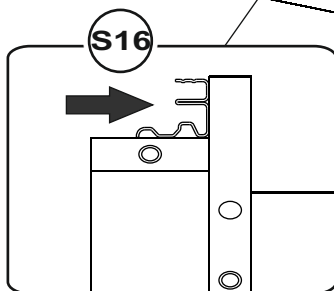
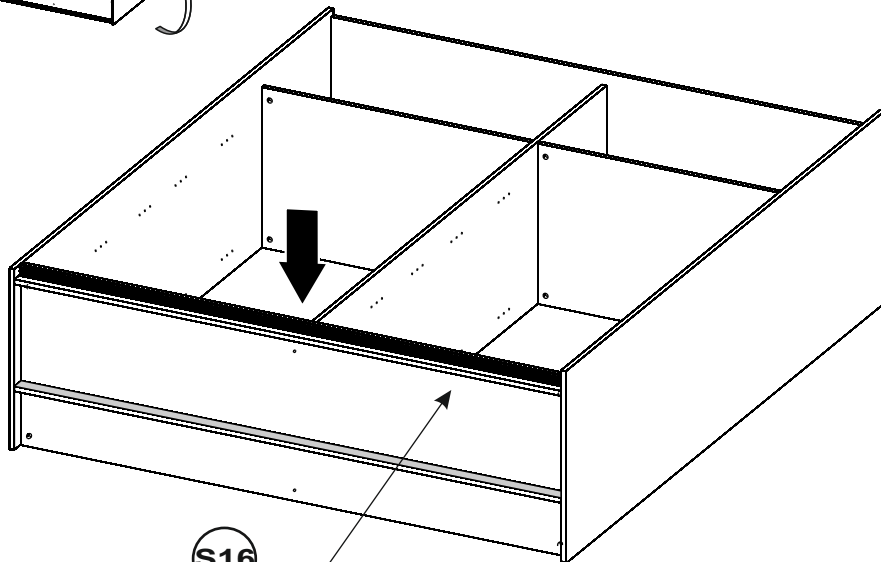
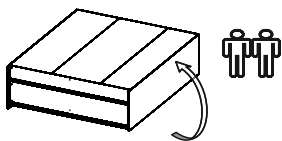
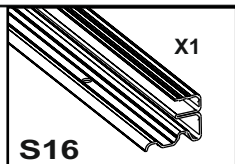
S01



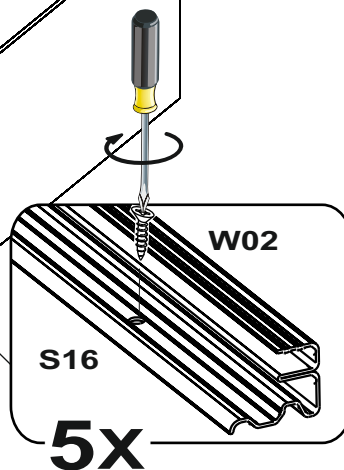
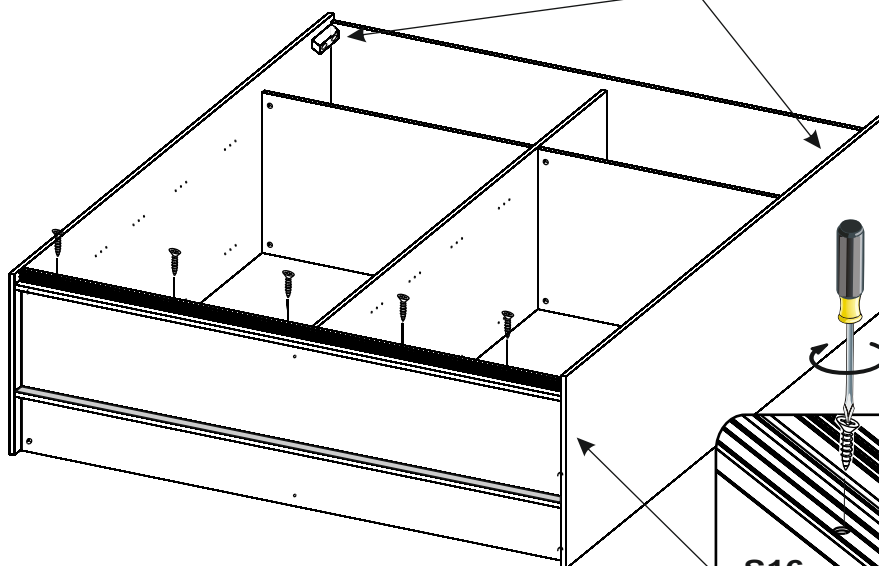
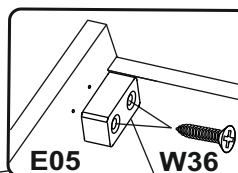
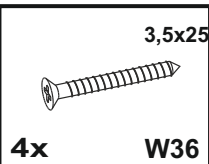
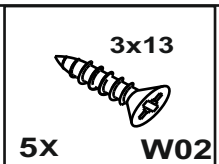
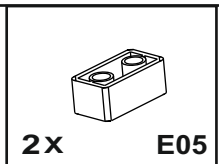
A=B



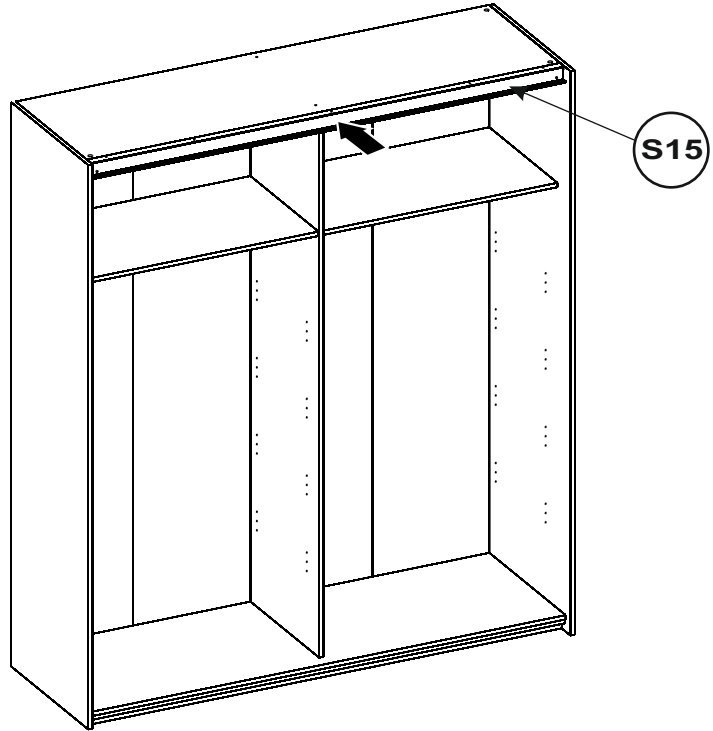
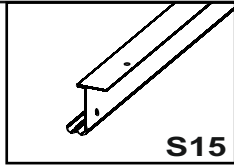
7



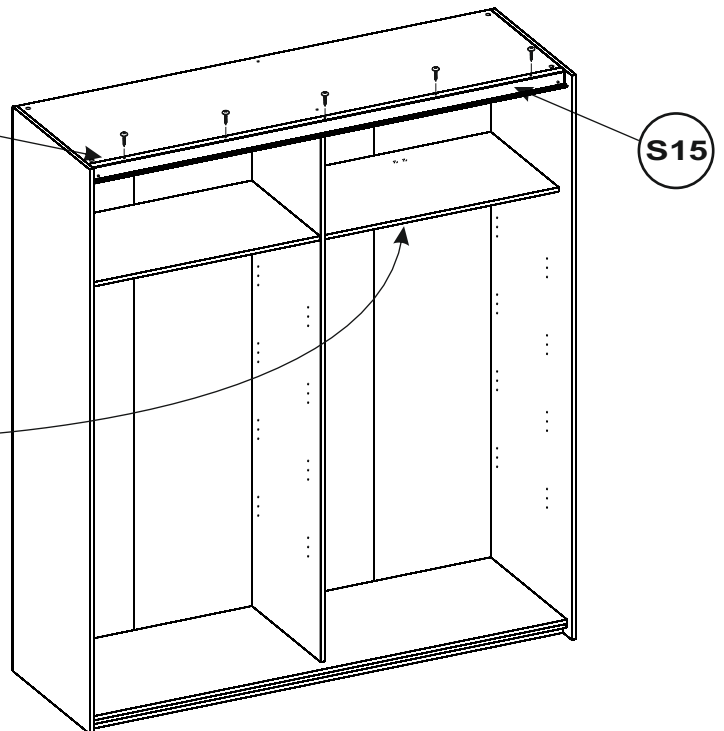
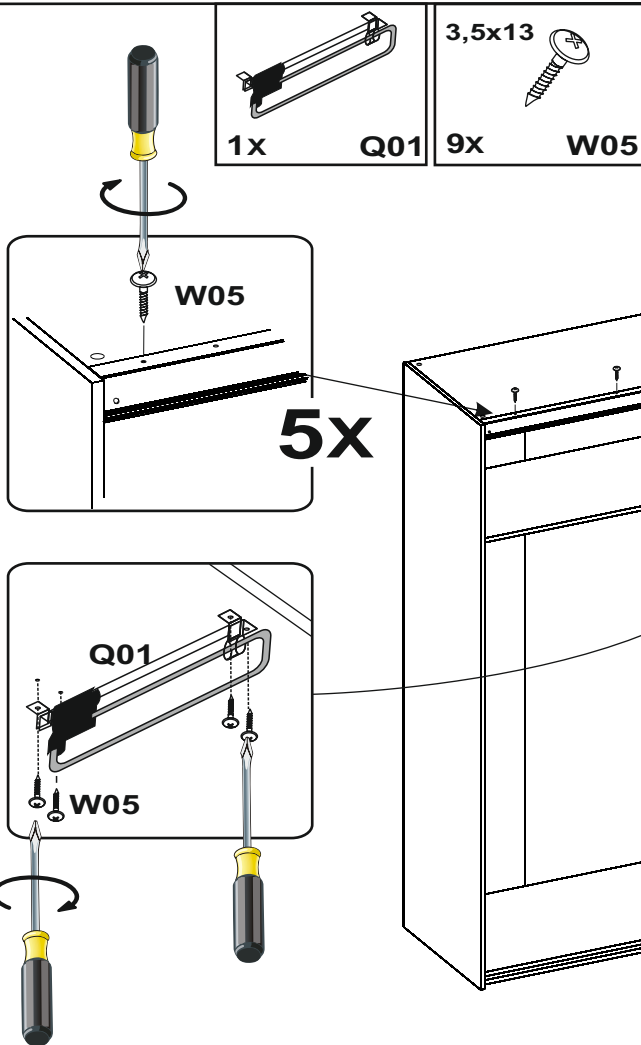
8



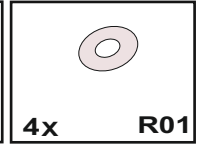
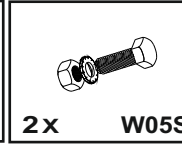
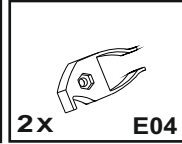
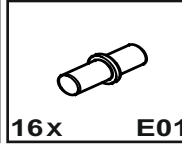
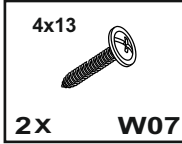
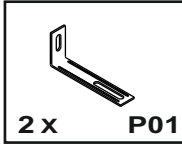
9



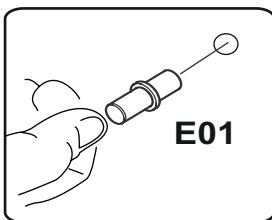
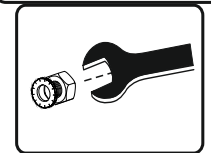
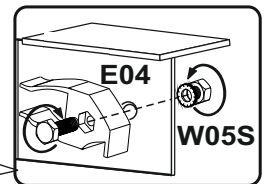
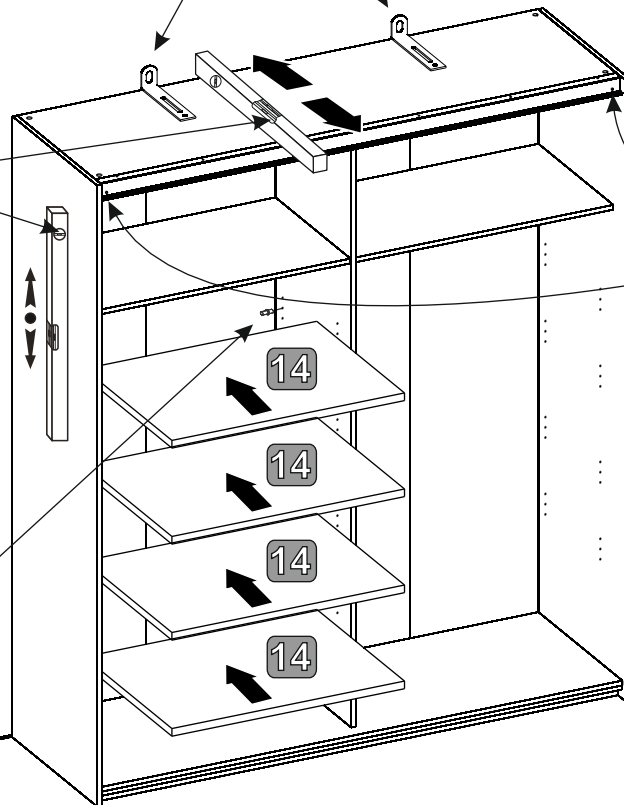
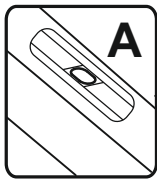
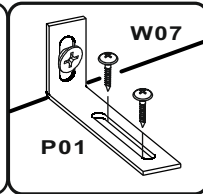
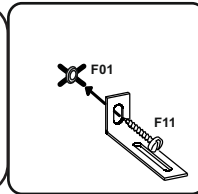
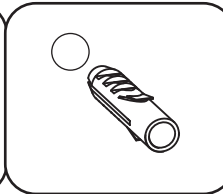
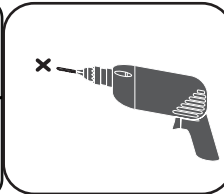
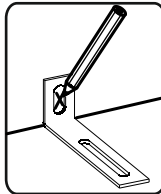
10



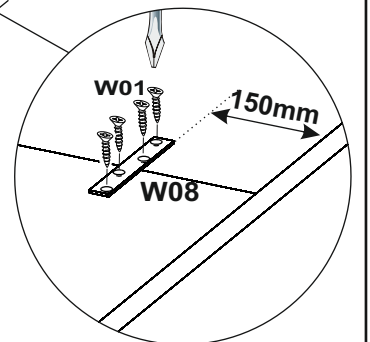
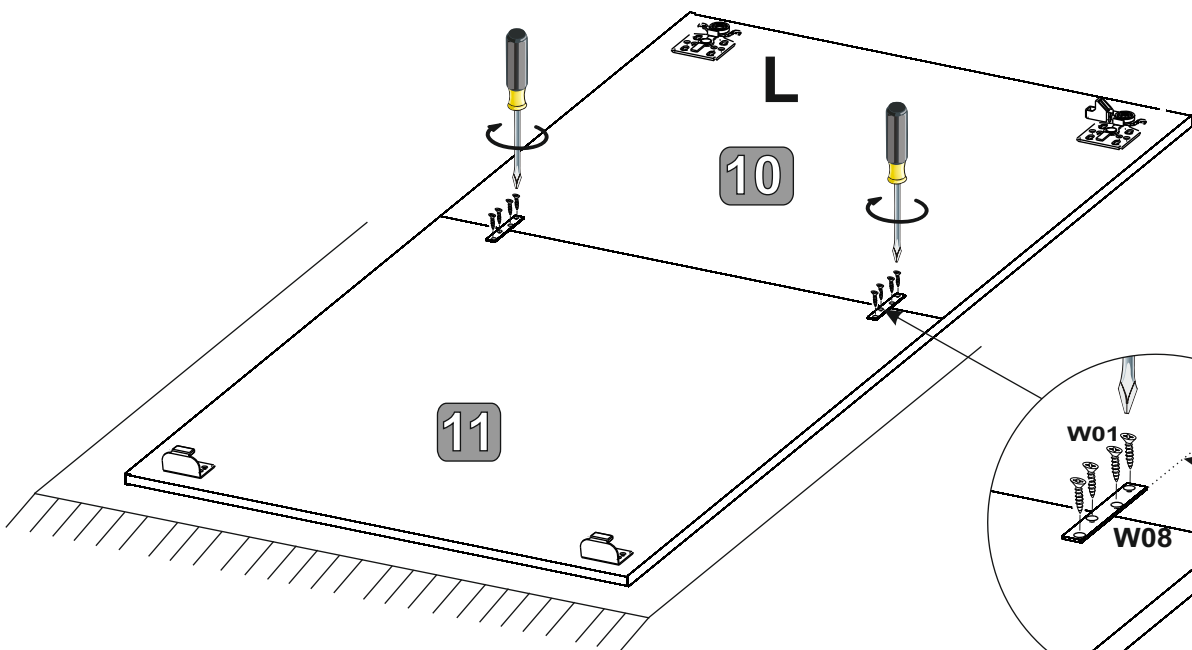
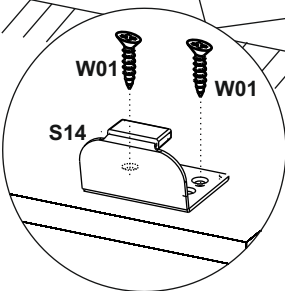
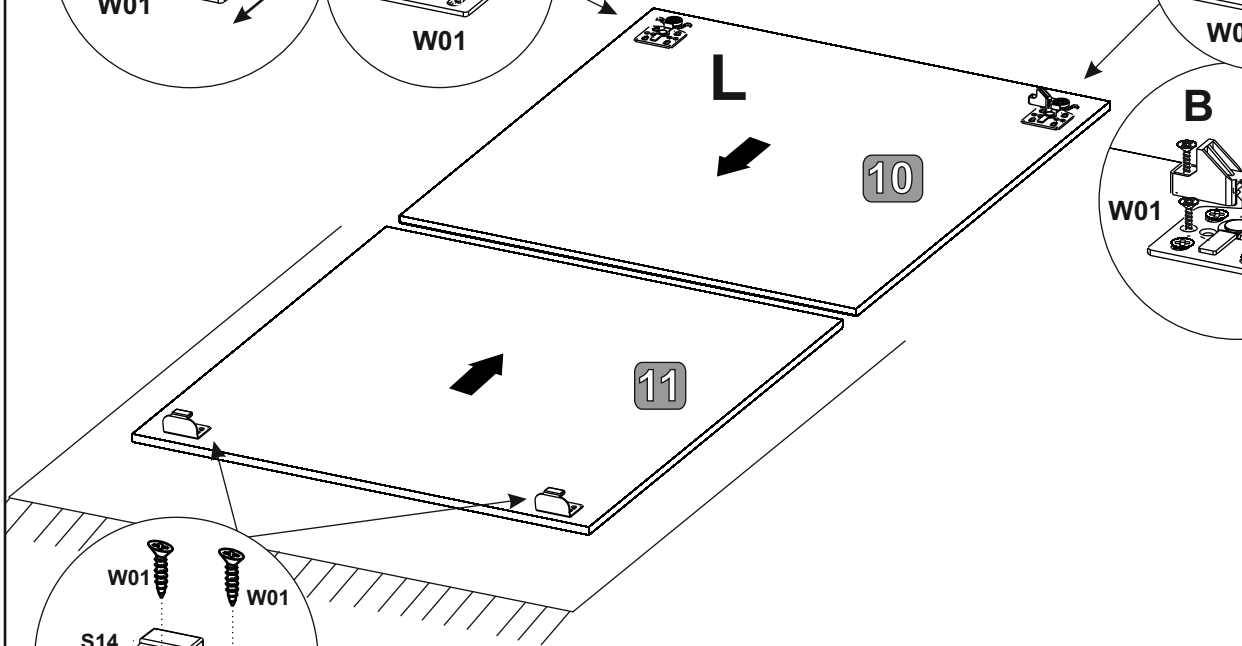
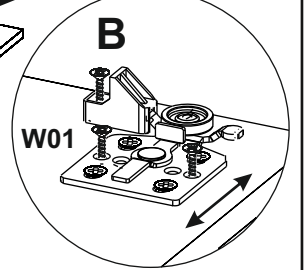
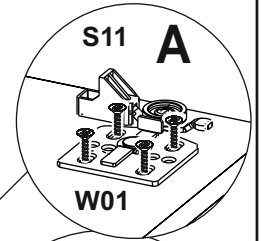
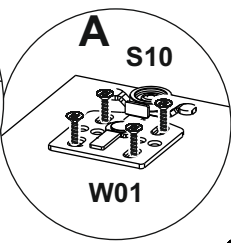
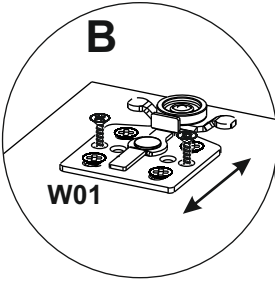
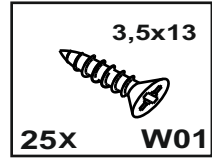
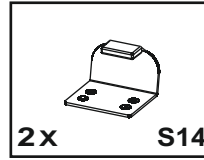
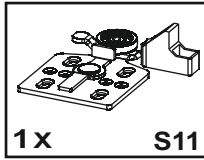
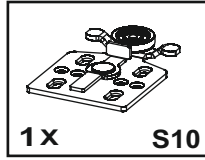
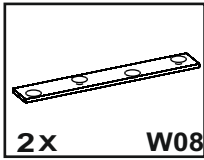
11



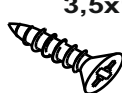
B

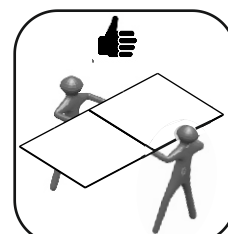
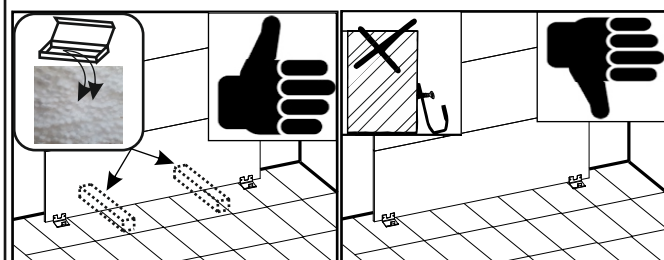
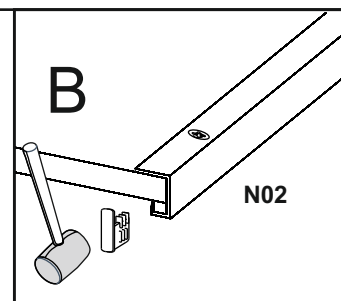
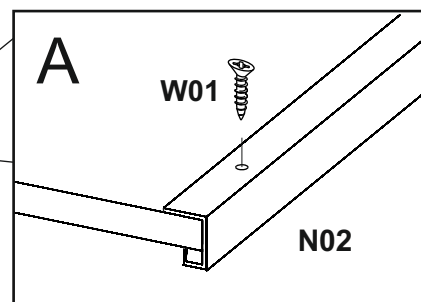
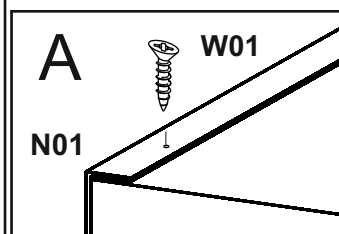
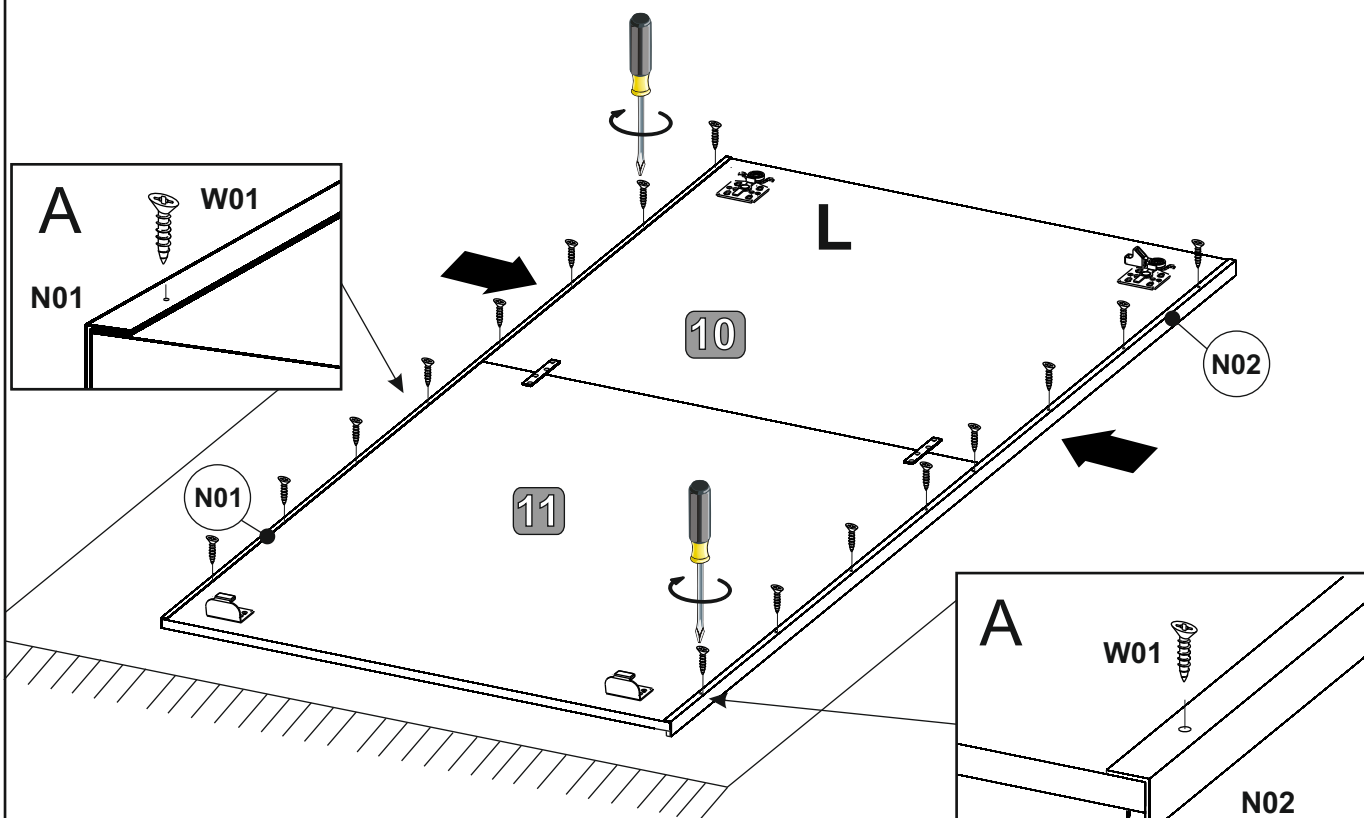


12

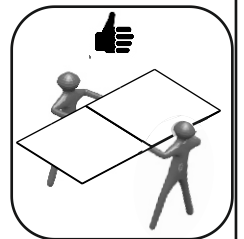
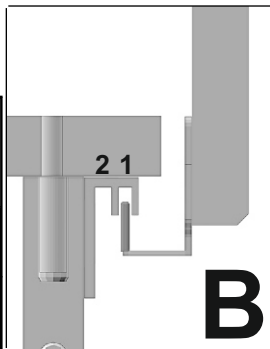
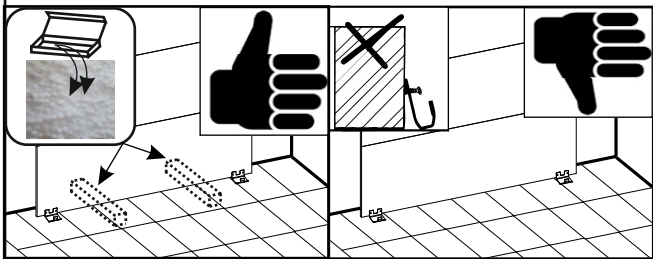
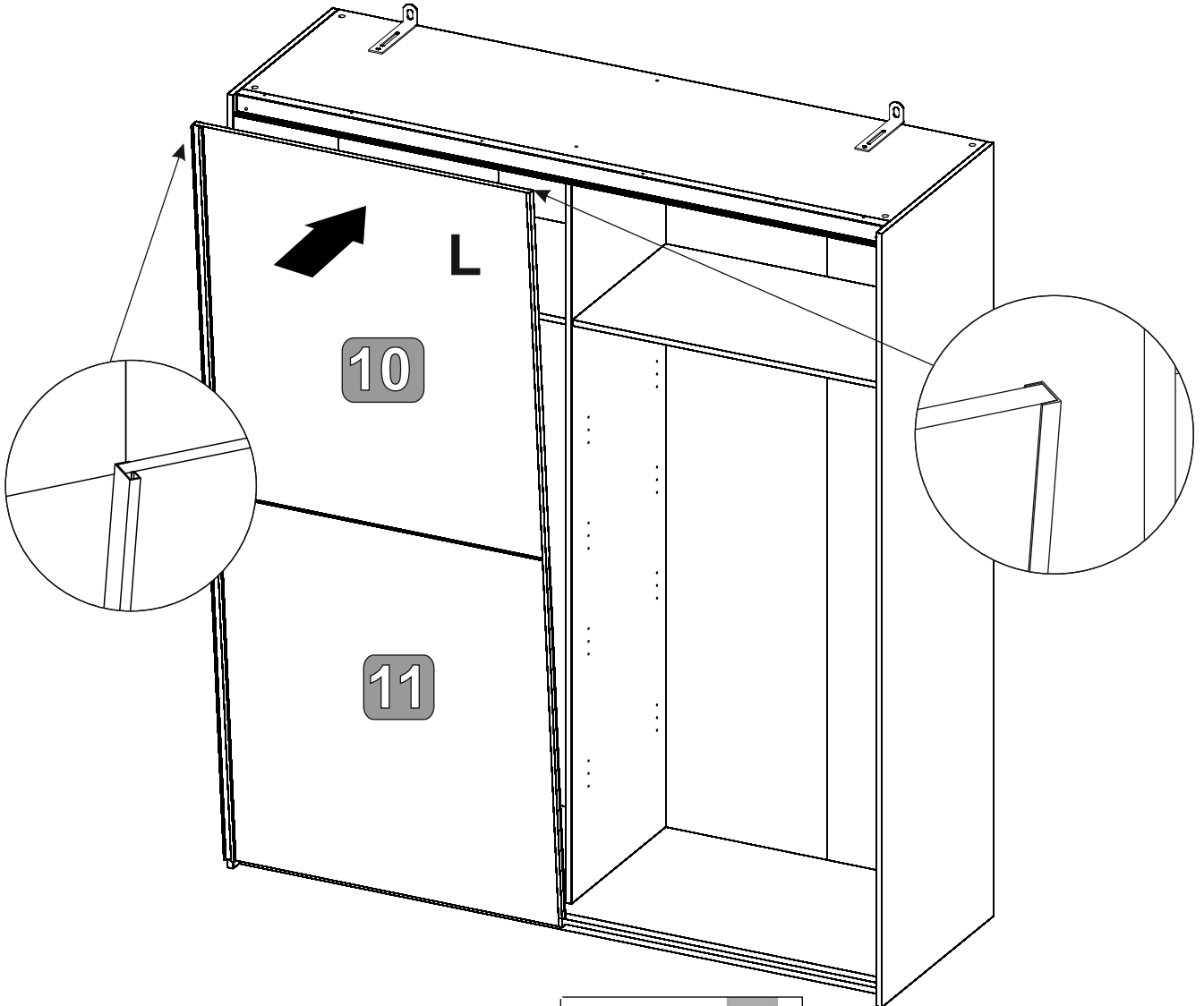
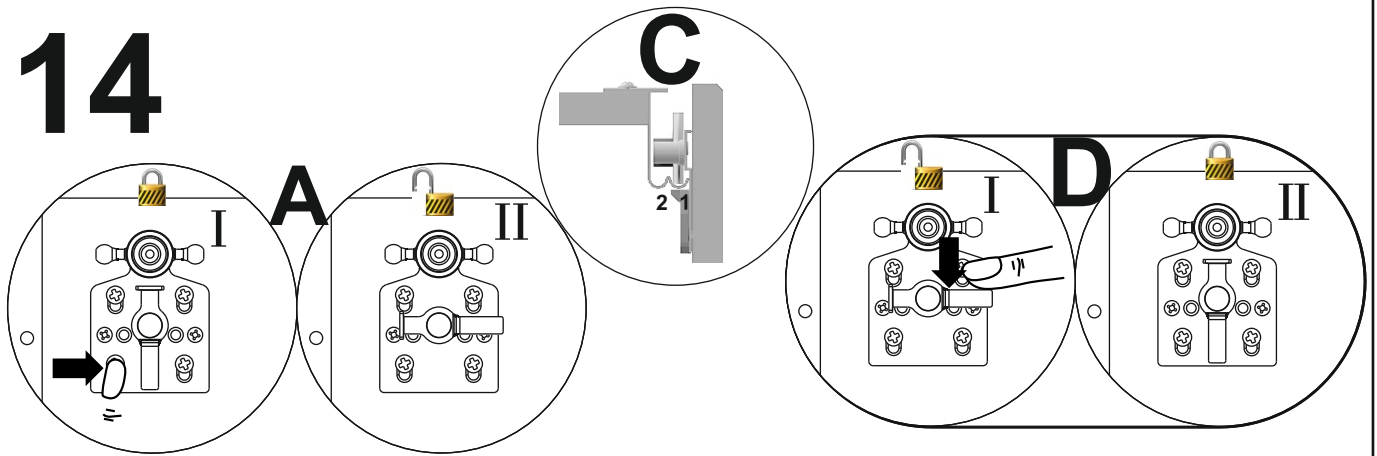


13

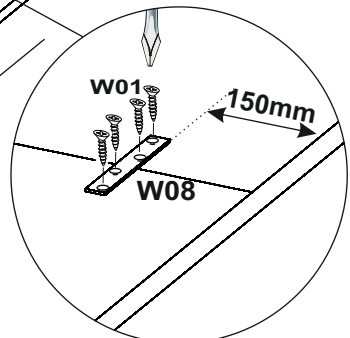
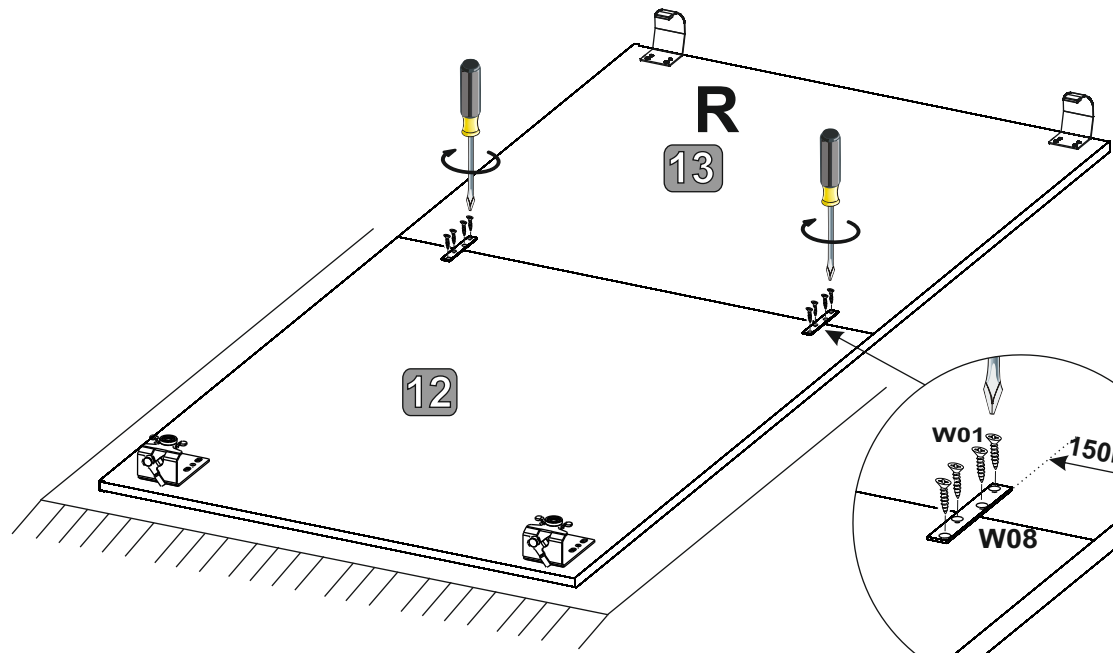
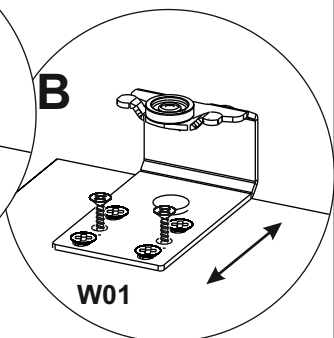
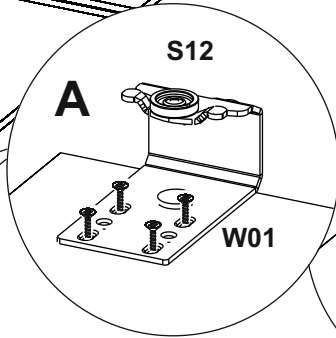
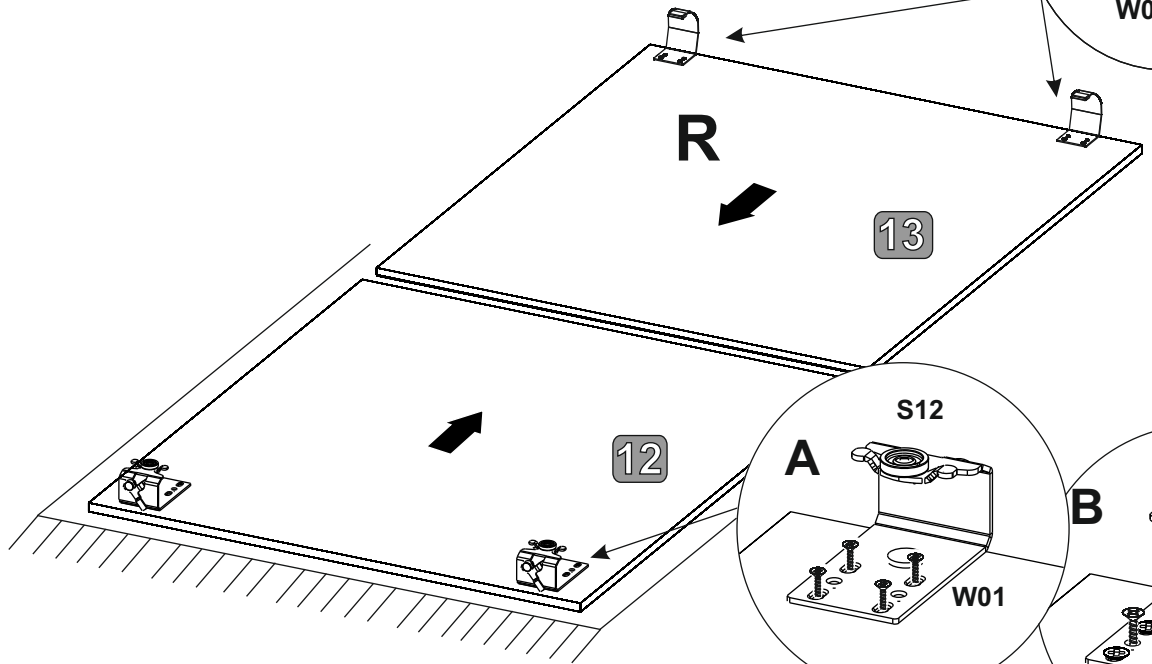
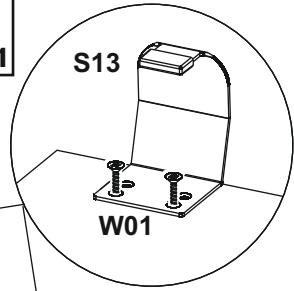
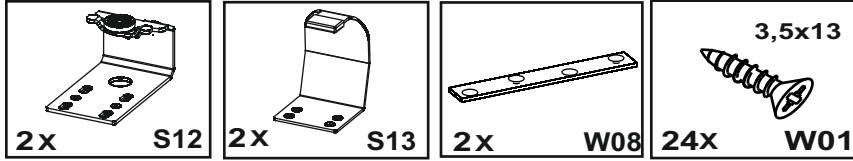
	3,5x13		H-29
16X	W01	2X	ZA3



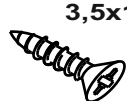
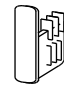
14

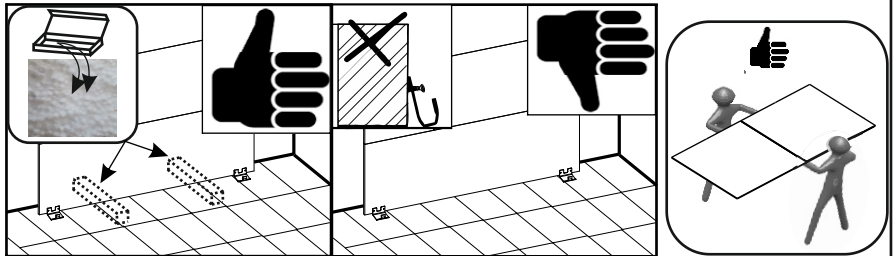
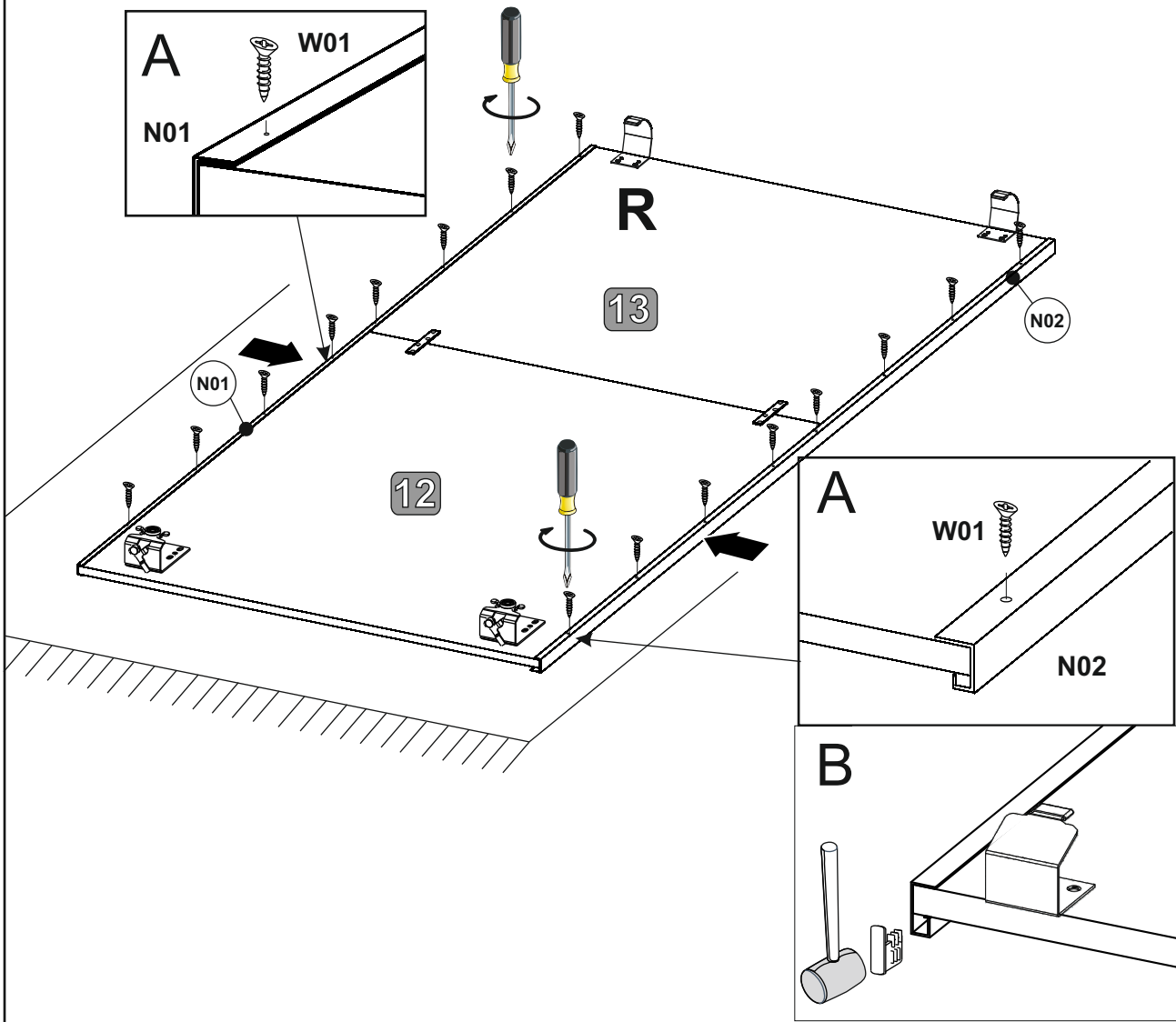


15



16

 <p>3,5x13 W01</p>	 <p>H-29 ZA3</p>
16X	2X



17

