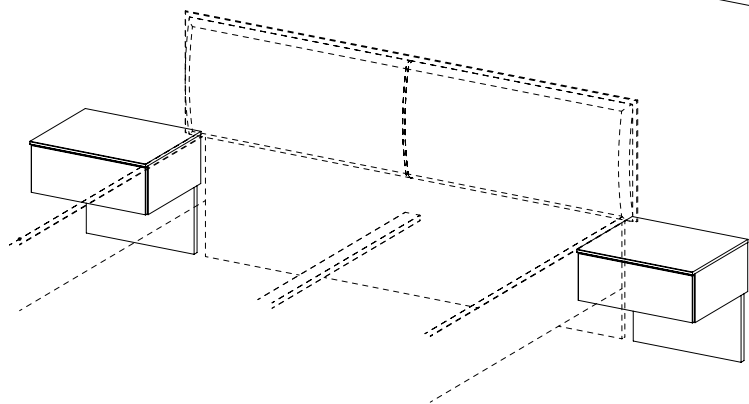
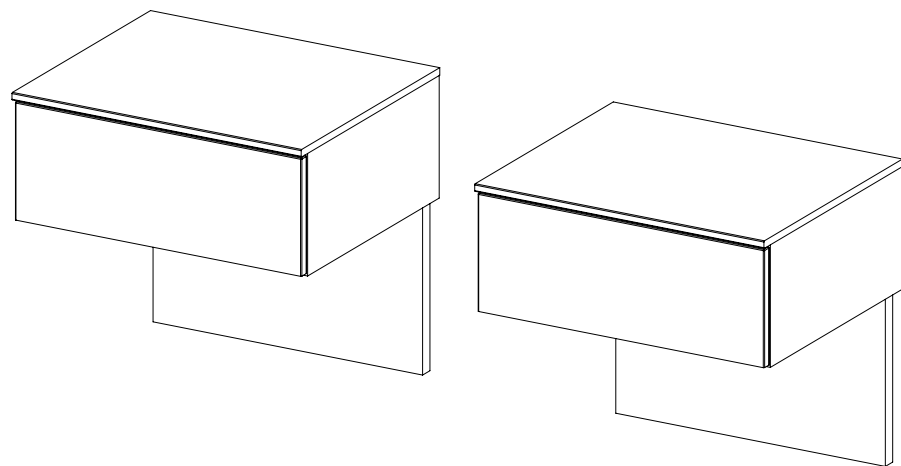
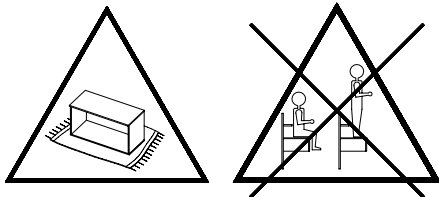
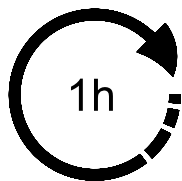
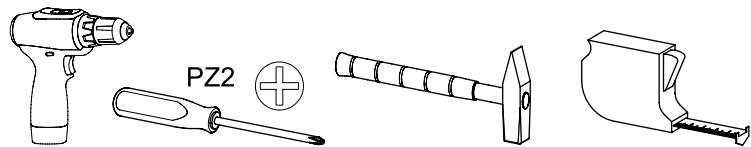
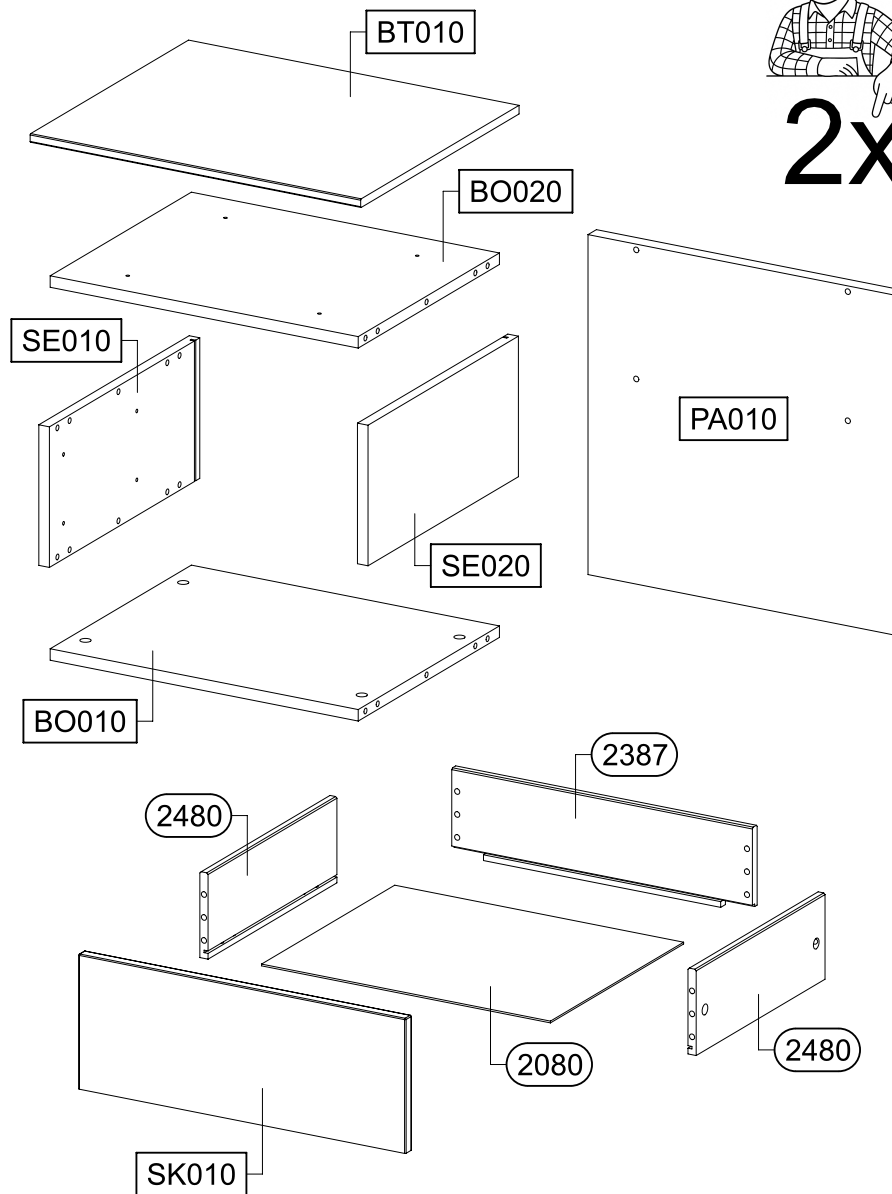
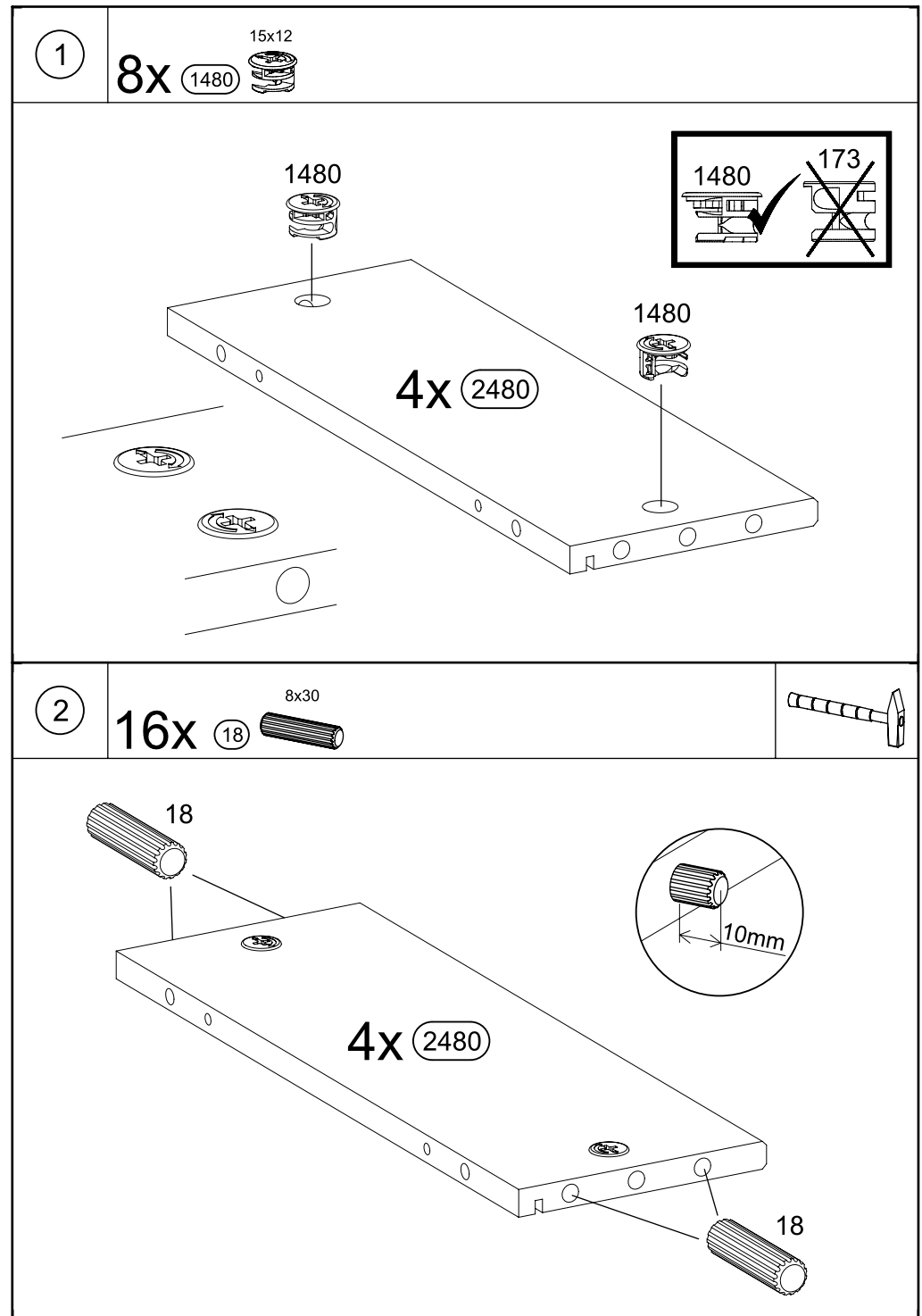
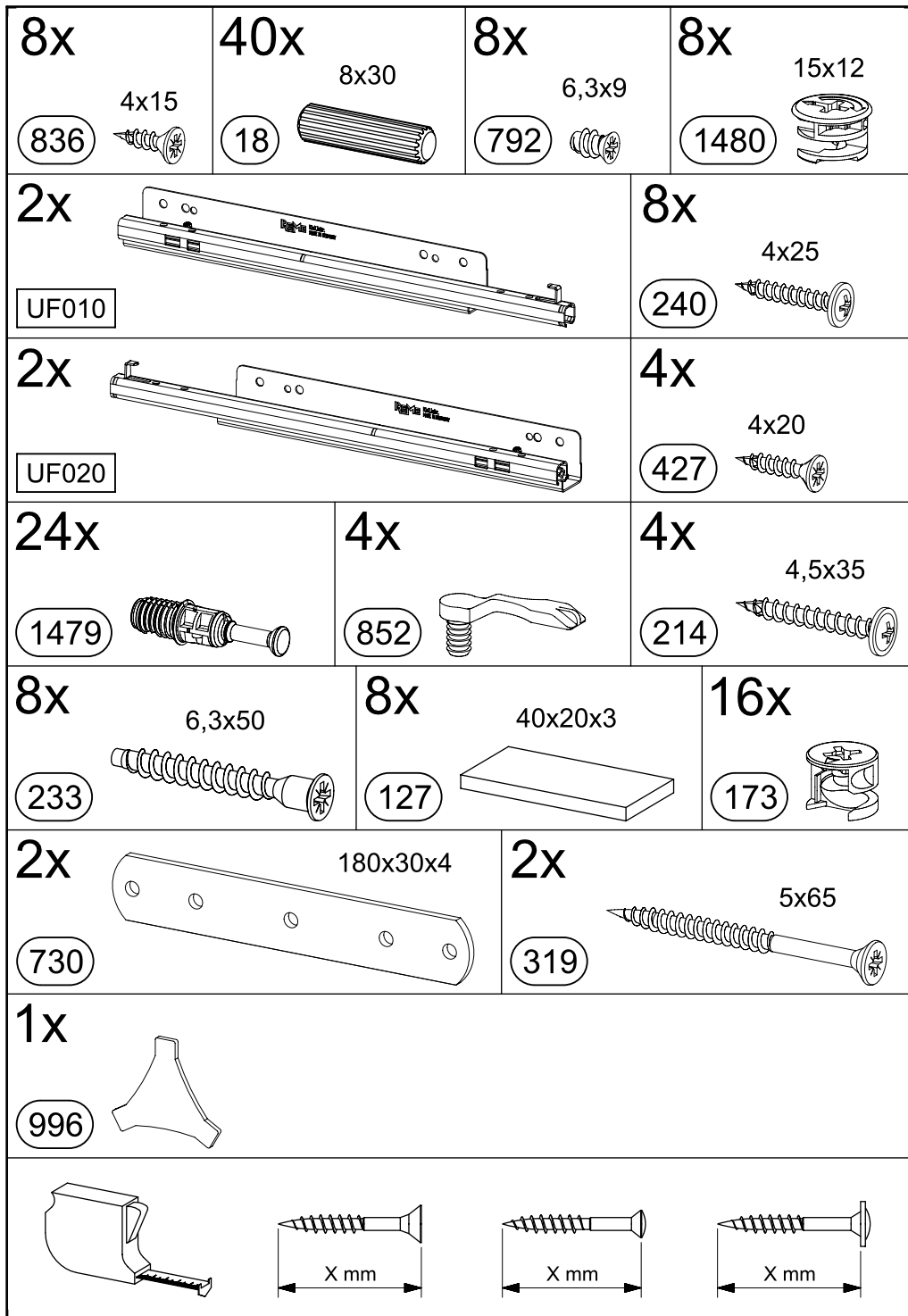


M3251_01



2x





3

1479

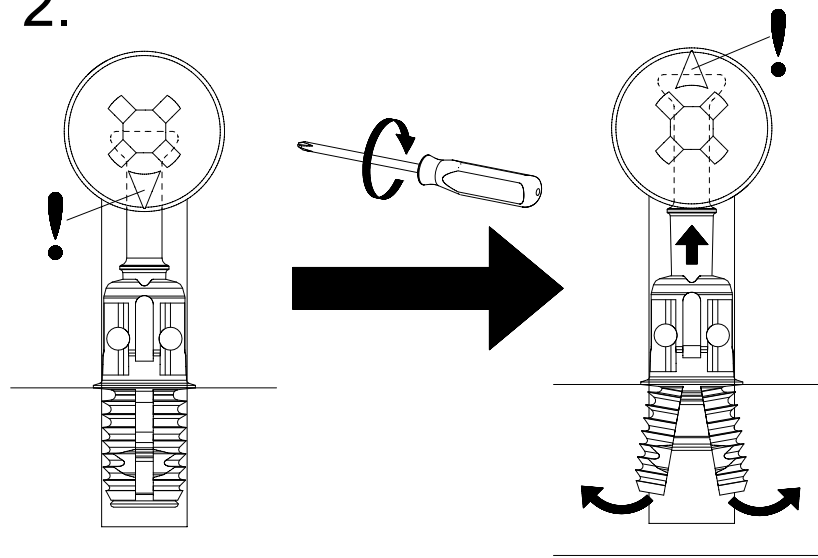


Function!

1.

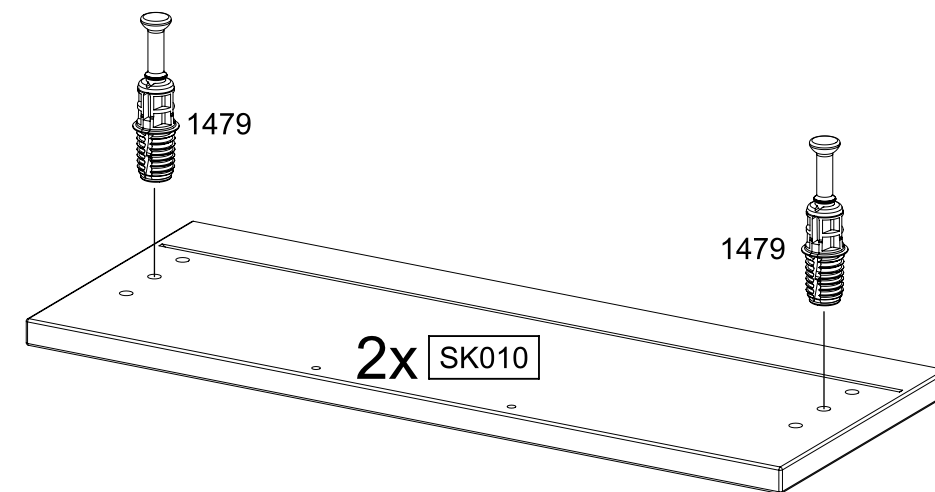
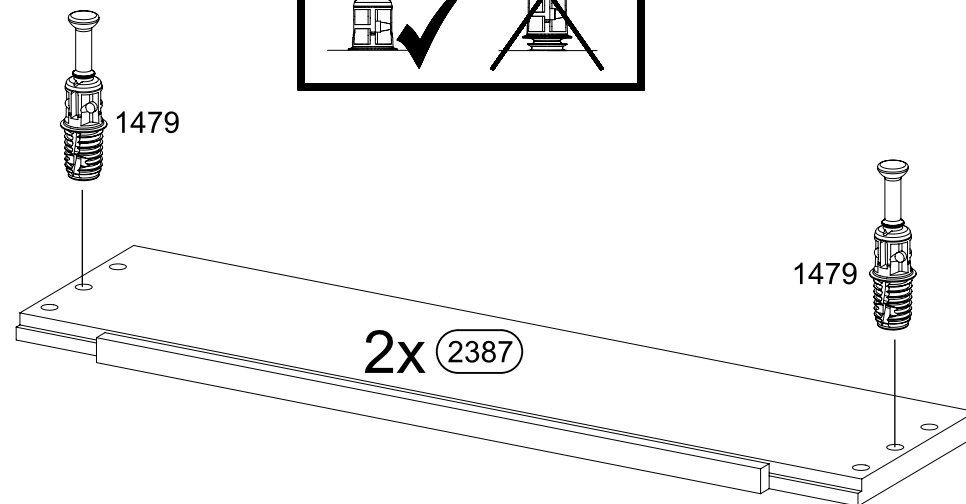
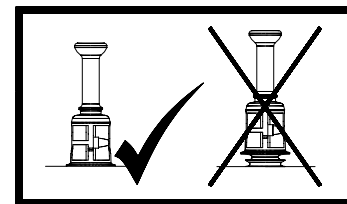


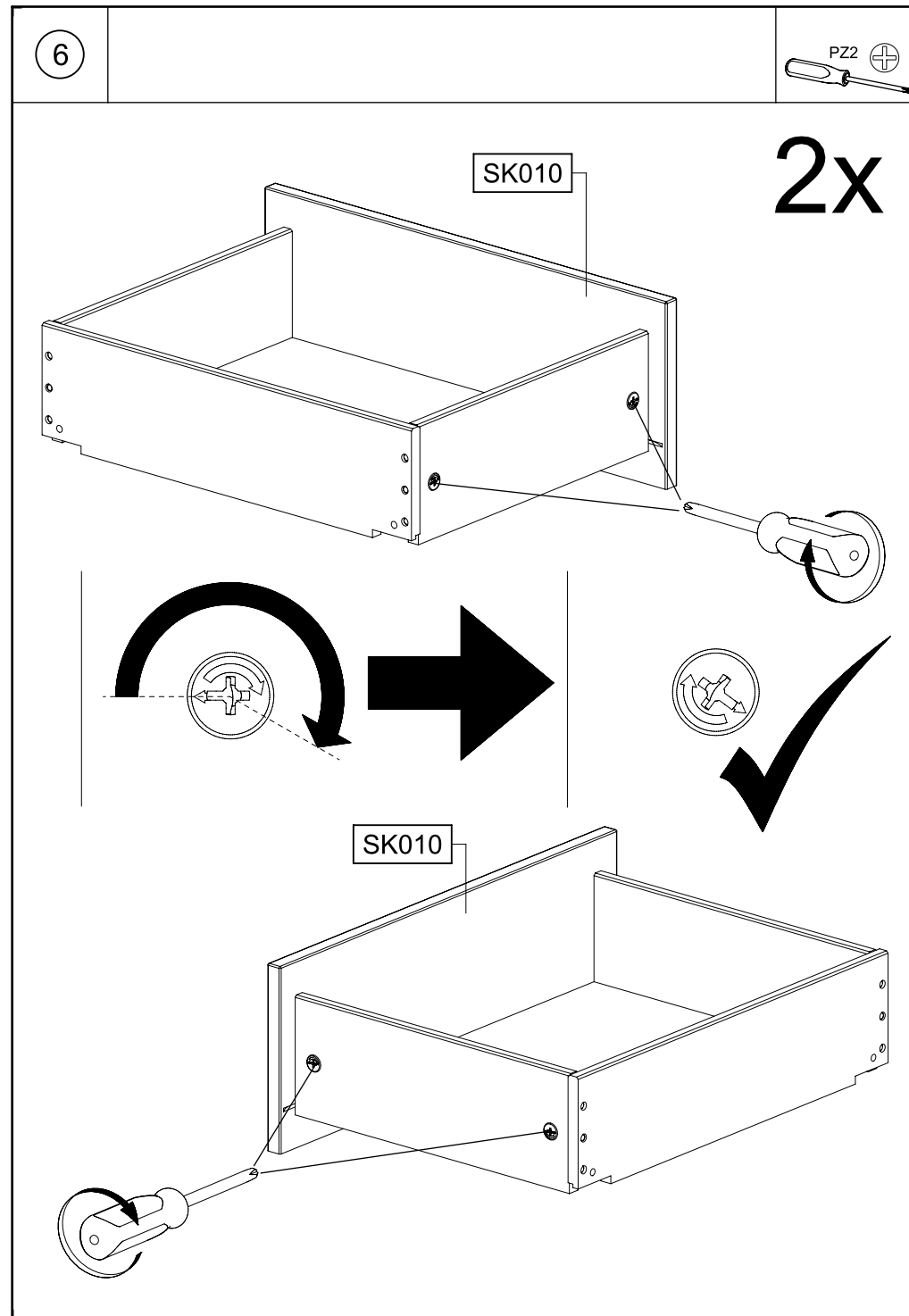
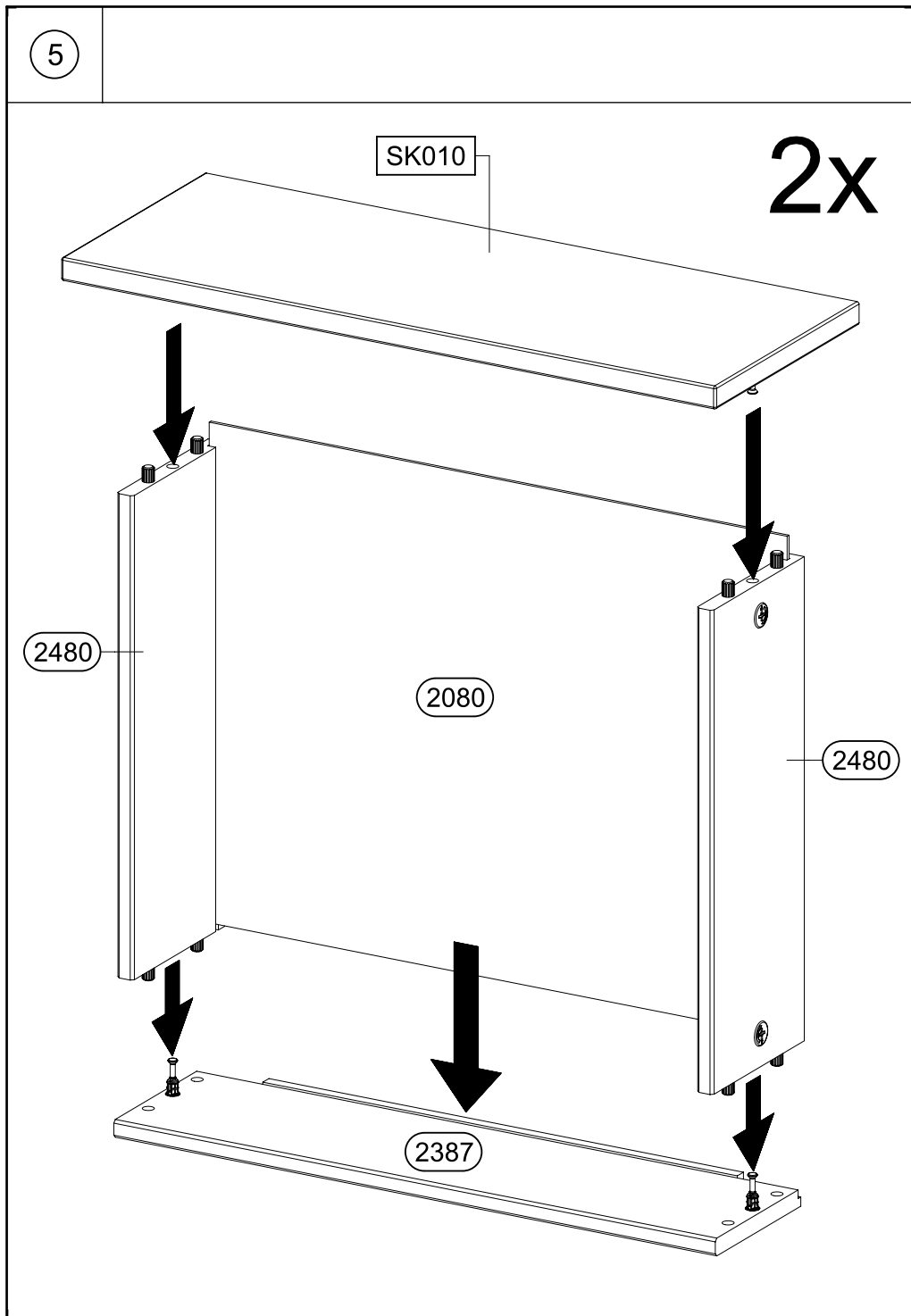
2.




4

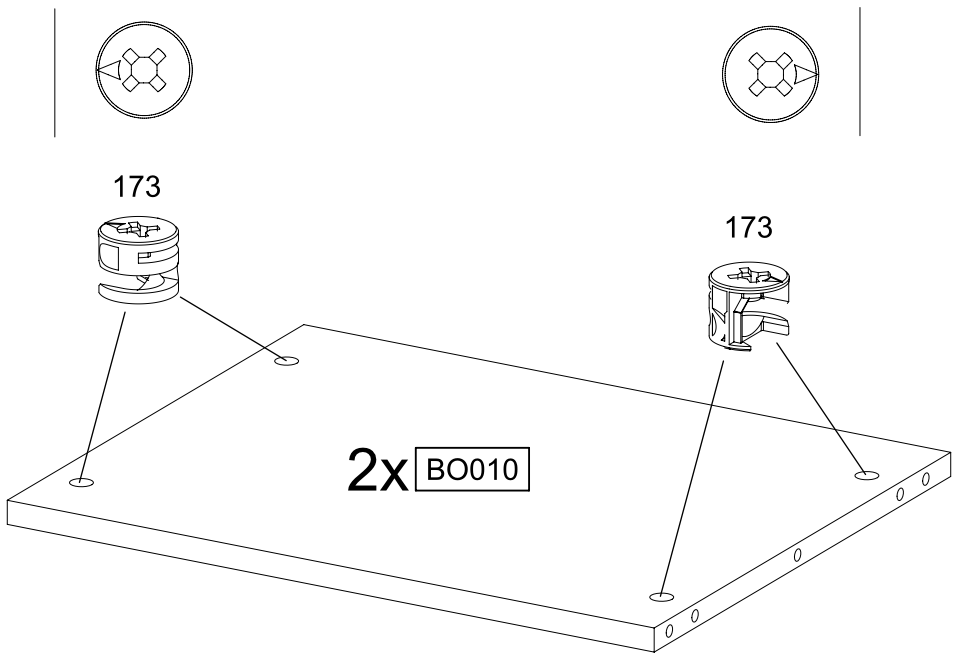
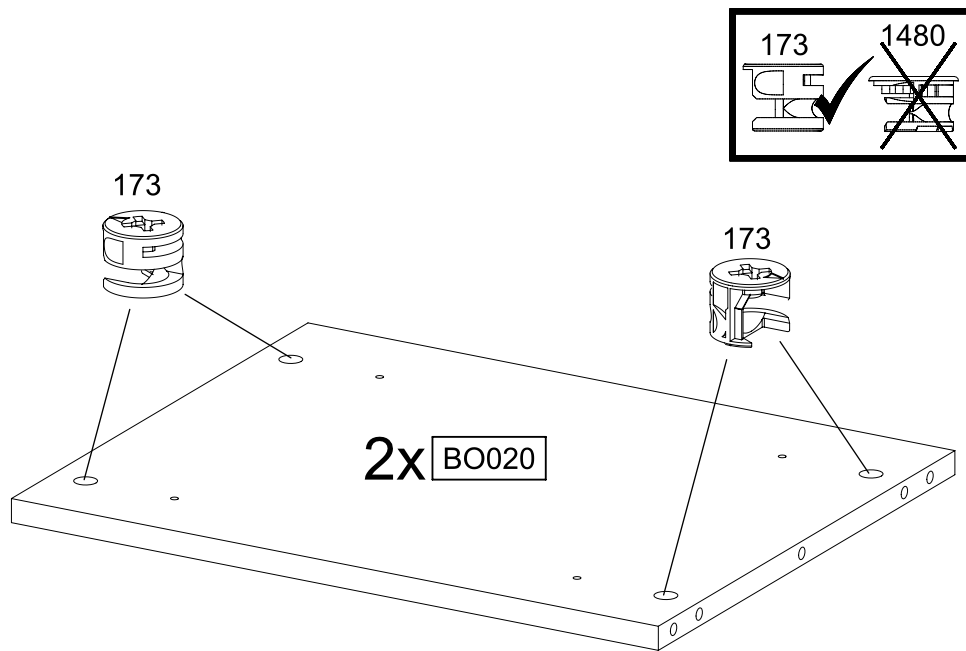
8x 1479





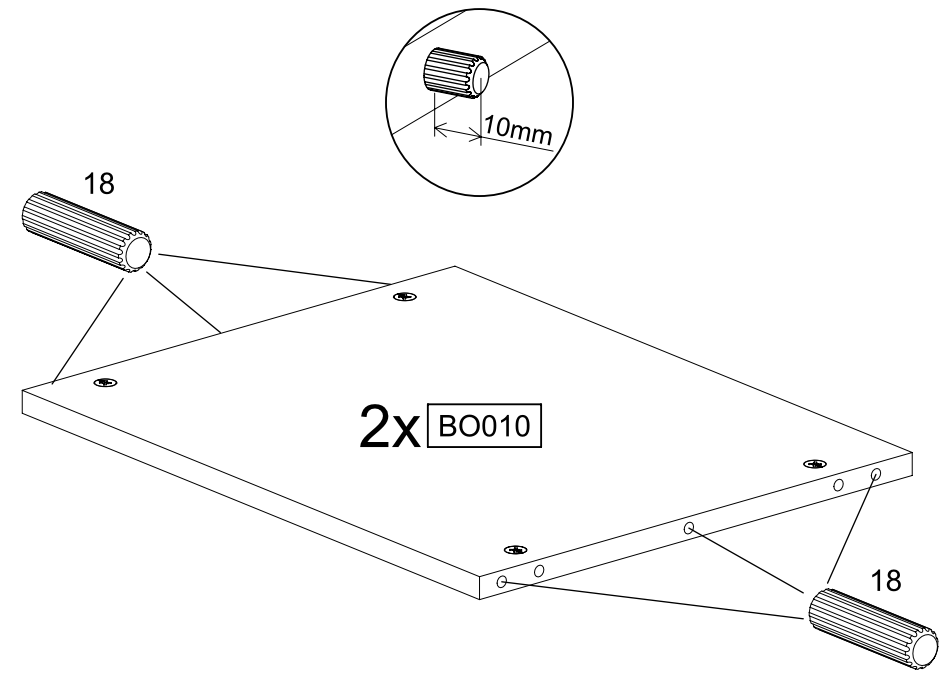
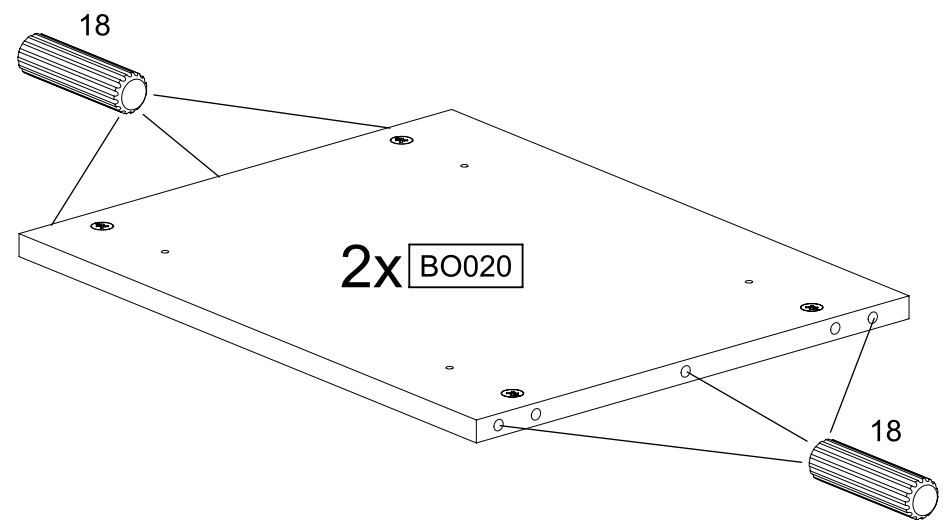
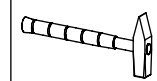
7

16x 

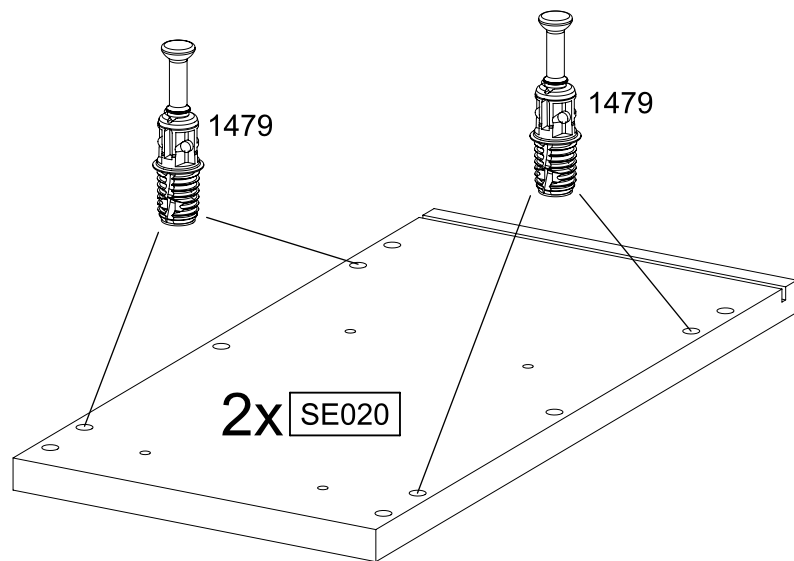
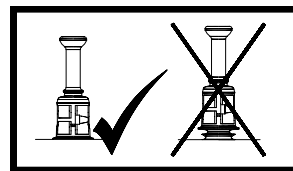
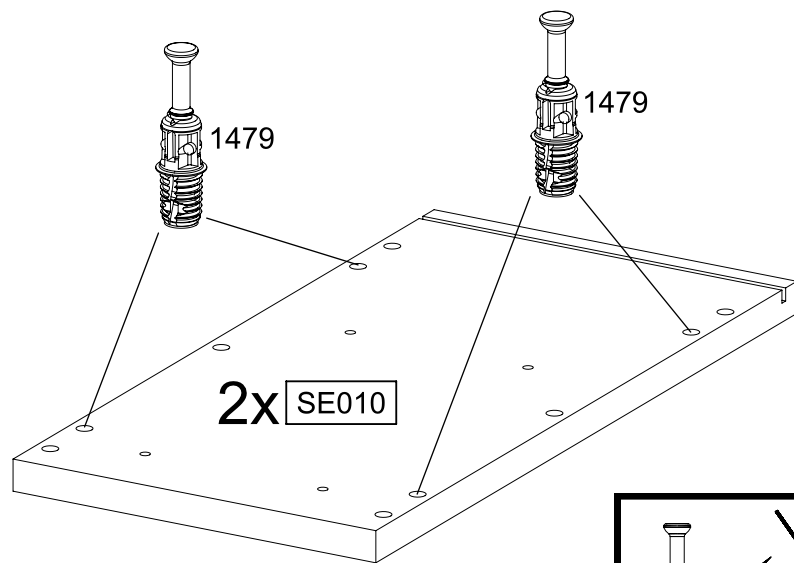


8

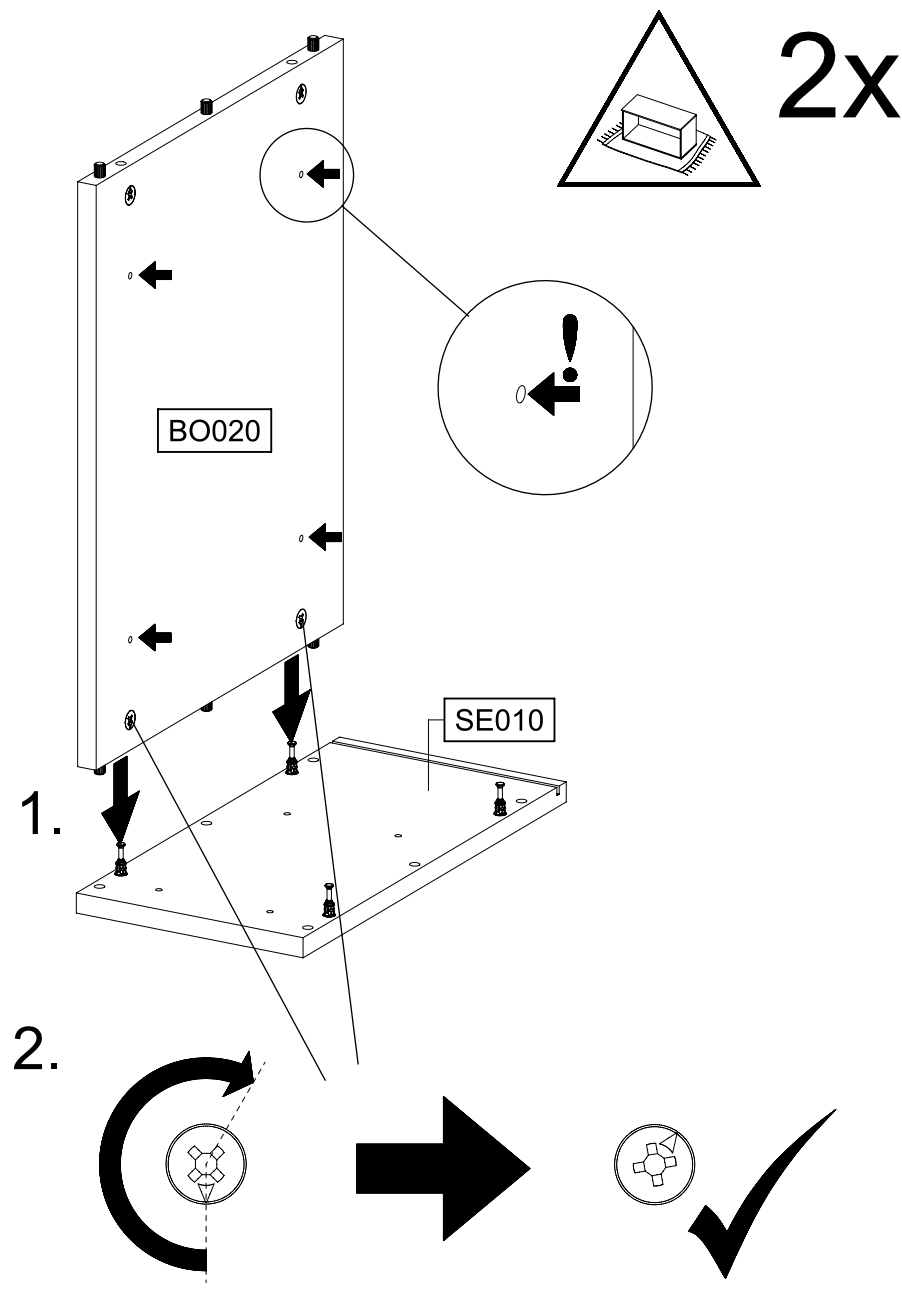
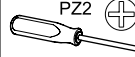
12x  8x30



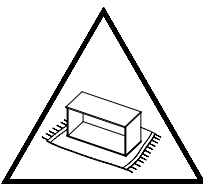
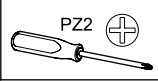
9

16x  1479

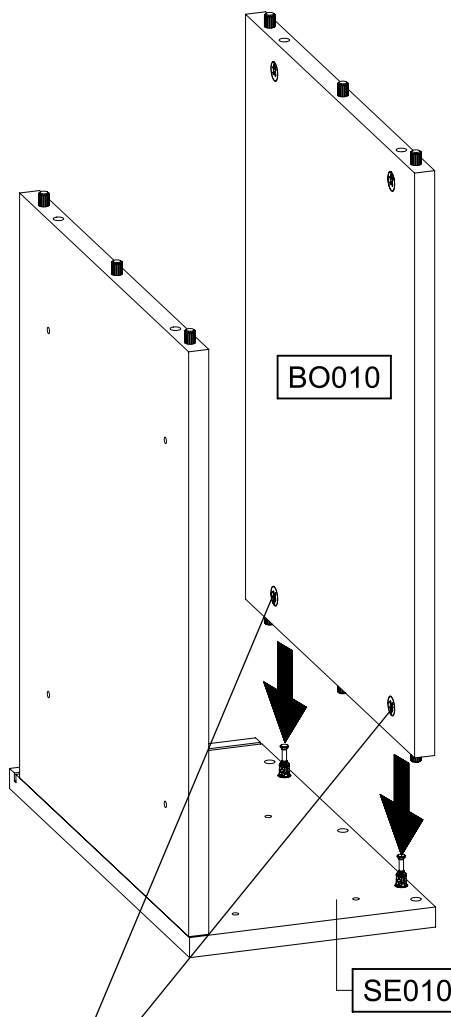
10

PZ2 

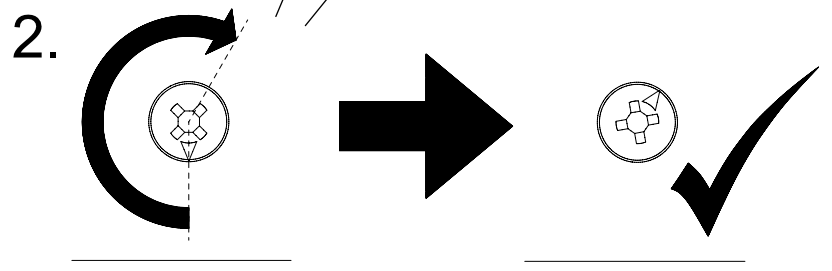
11



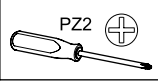
2x



1.



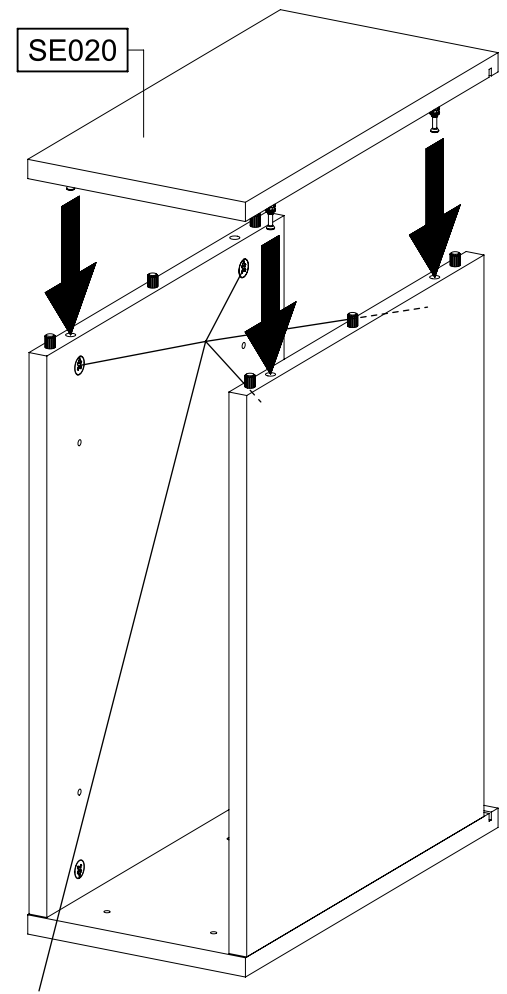
12



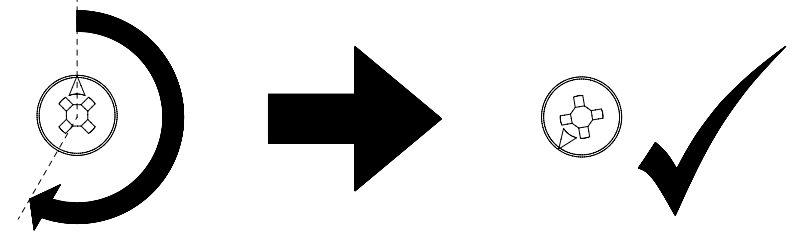
SE020

2x

1.



2.

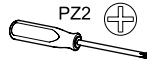
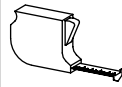


13

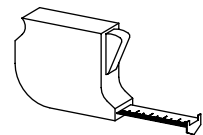
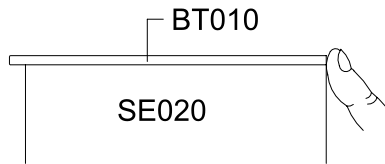
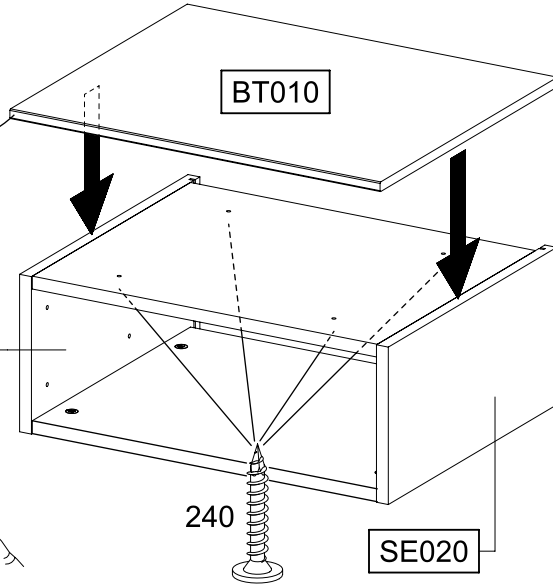
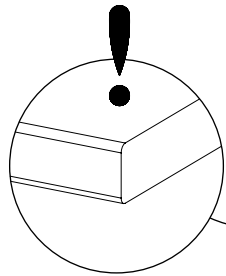
4x

240

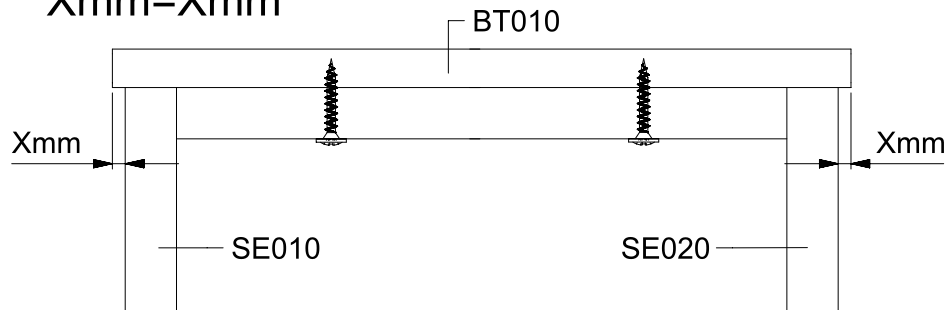
4x25



2x



Xmm=Xmm



14

4x

792

6,3x9



4x

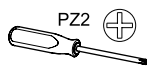
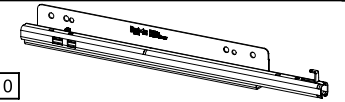
836

4x15

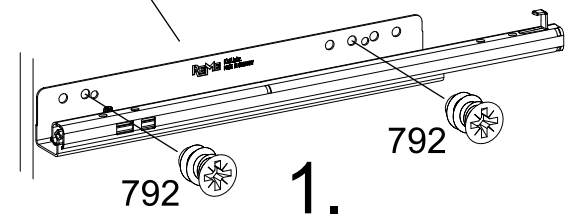
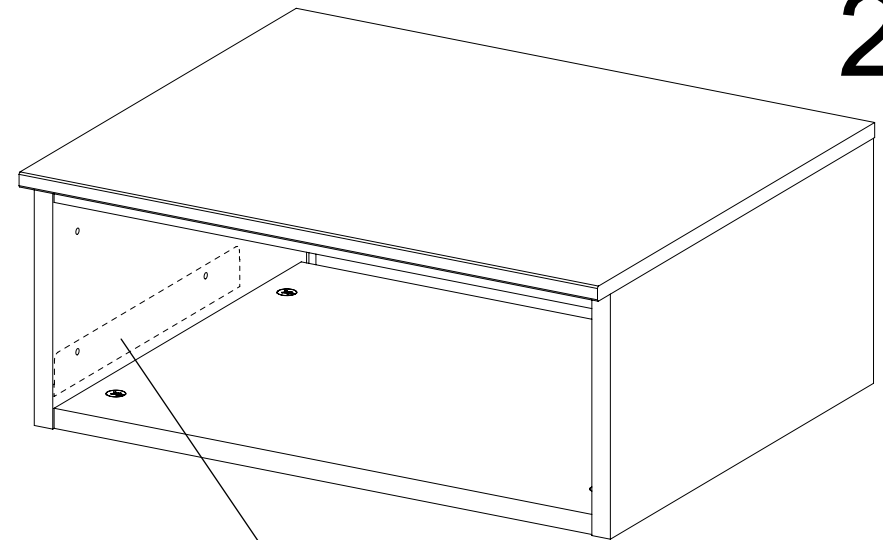


2x

UF010



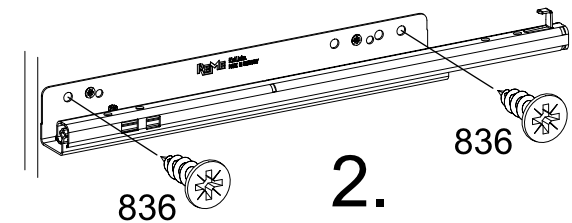
2x



792

792

1.



836

836

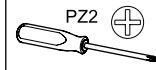
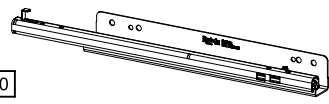
2.

15

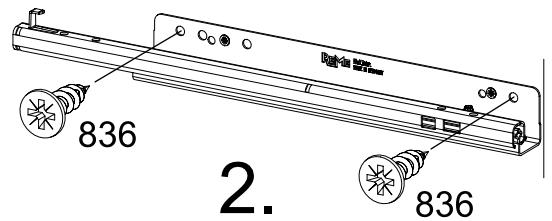
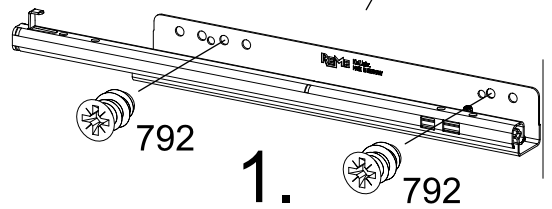
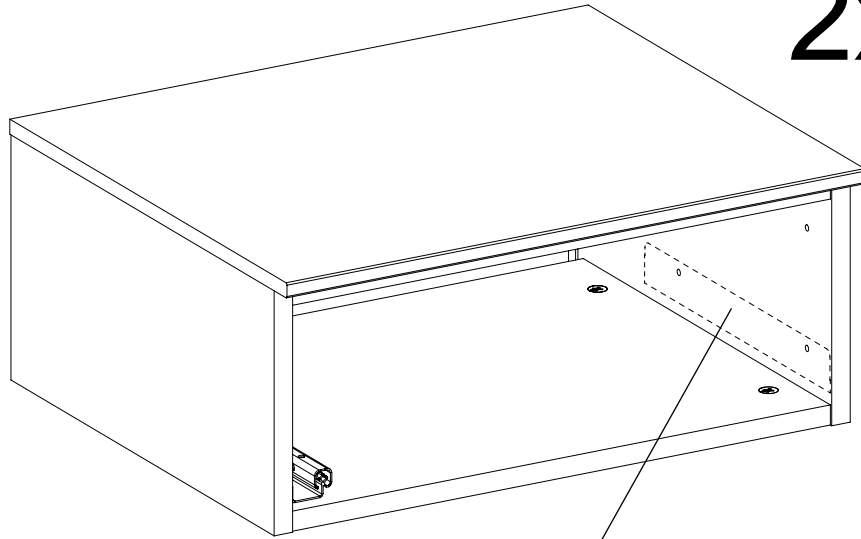
4x 792 6,3x9

4x 836 4x15

2x UF020

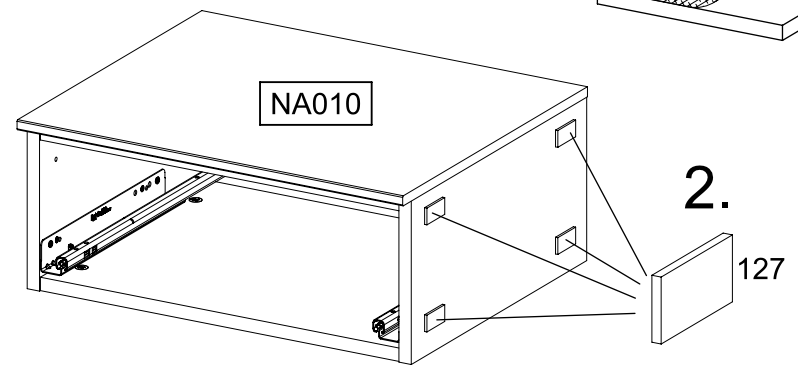
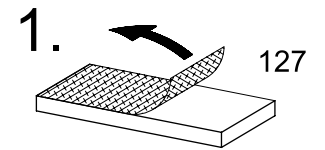
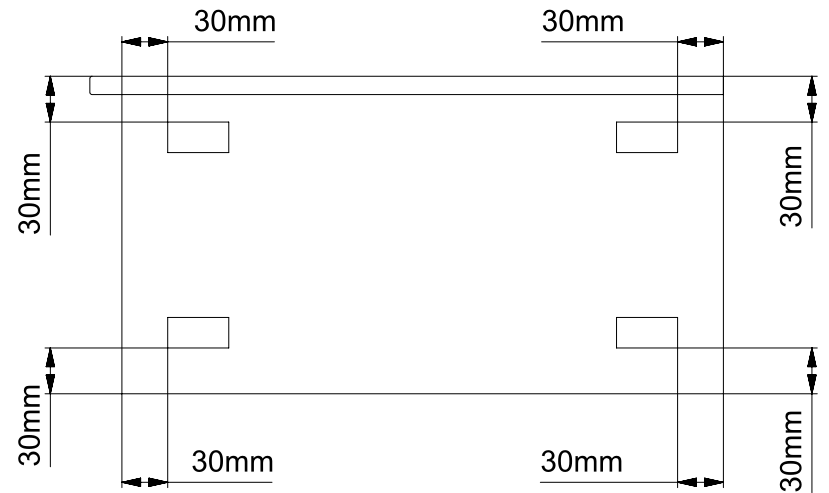
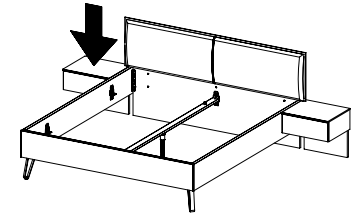


2x



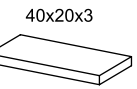
16

4x 127 40x20x3

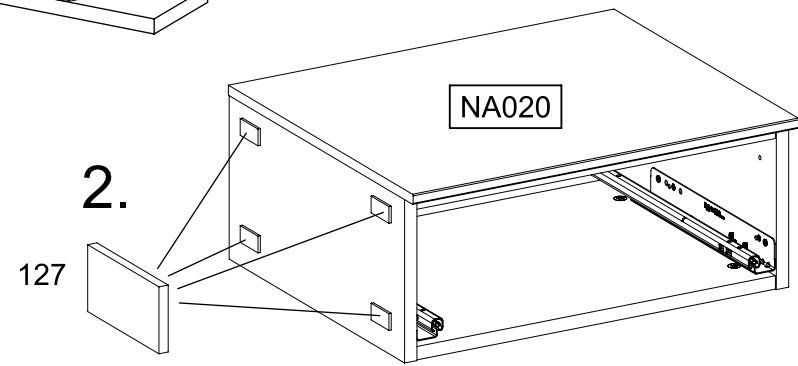
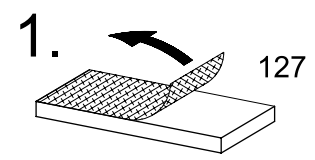
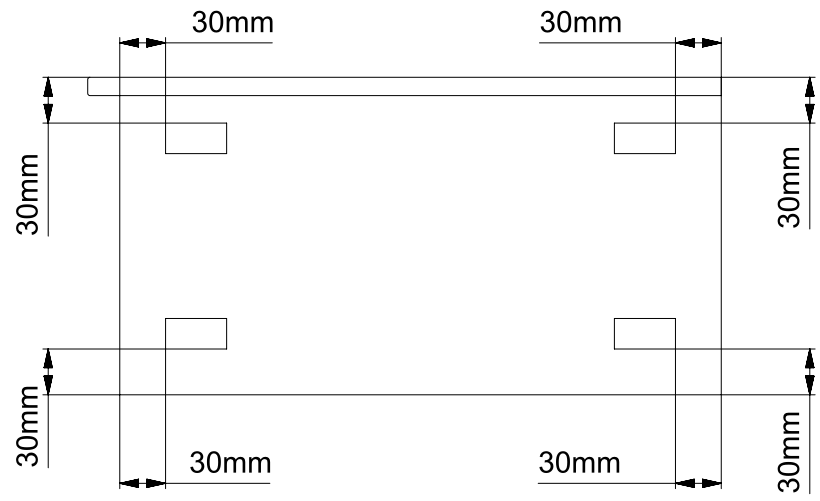
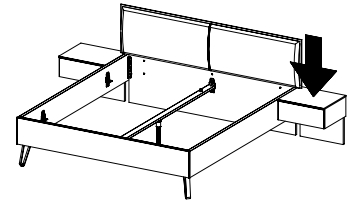


17

4x 127



40x20x3



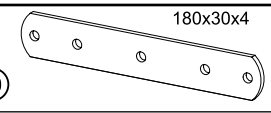
18

4x 427

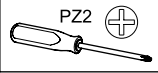


4x20

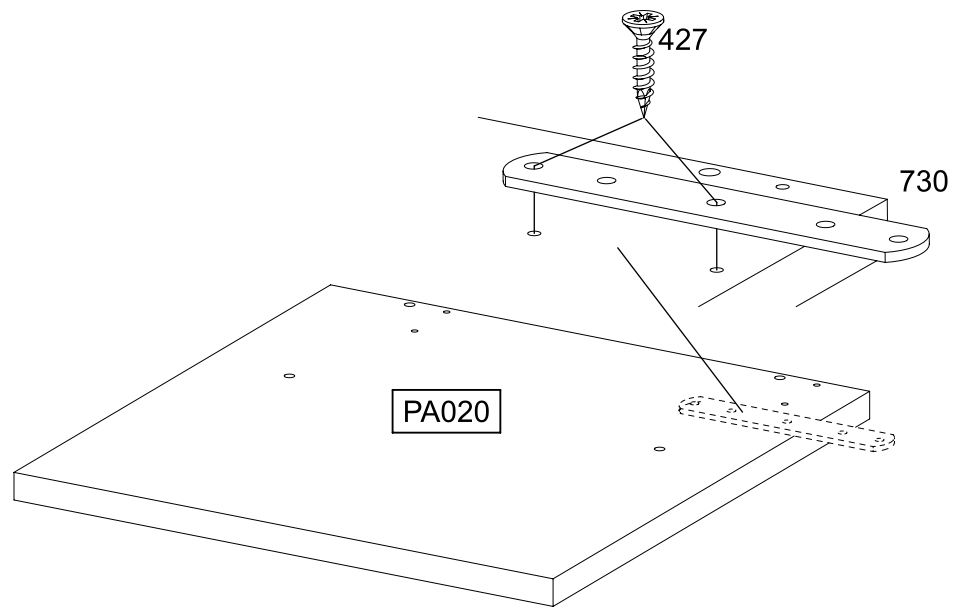
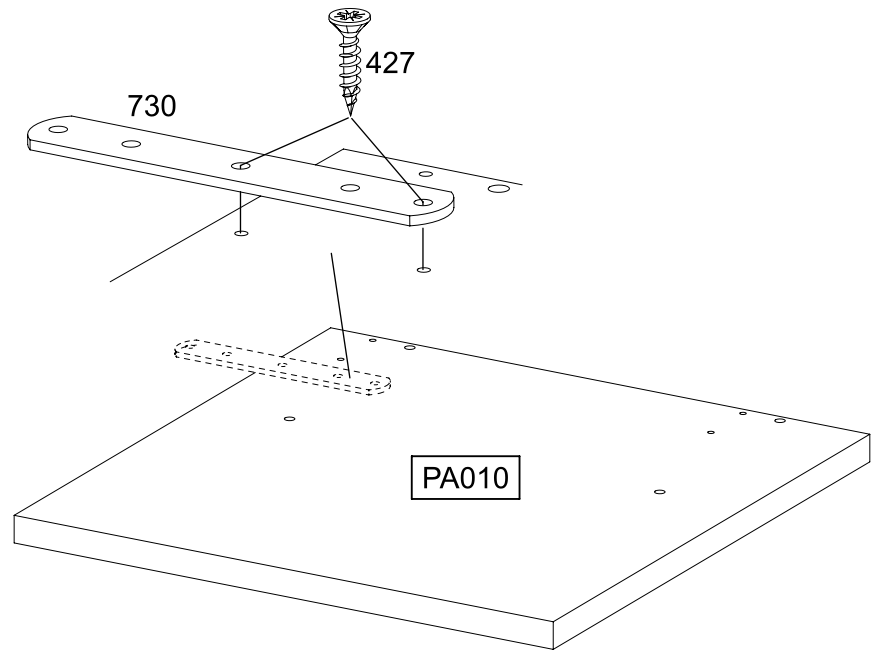
2x 730



180x30x4



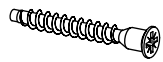
PZ2



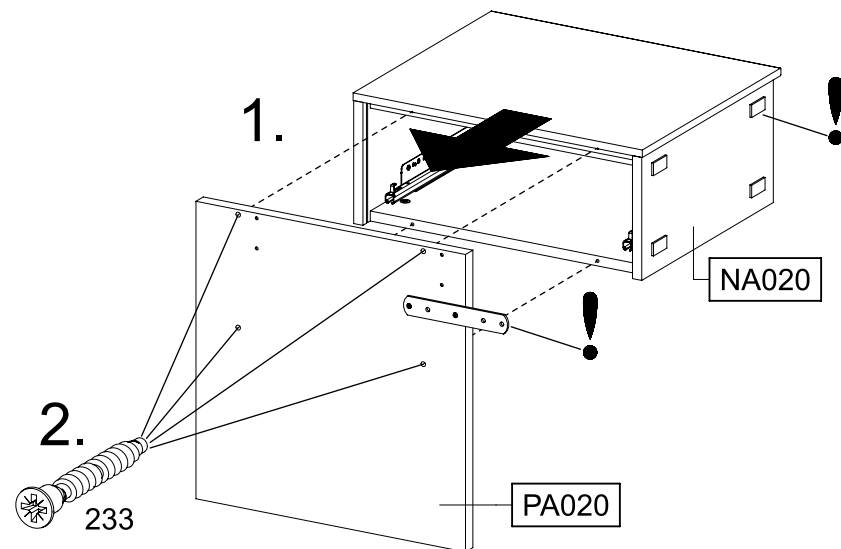
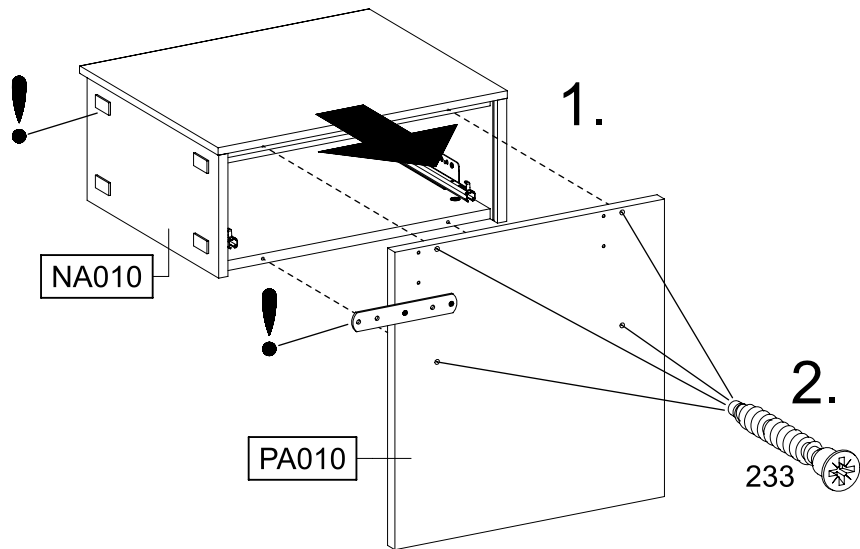
19

8x 233

6,3x50



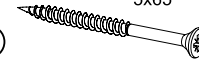
PZ2



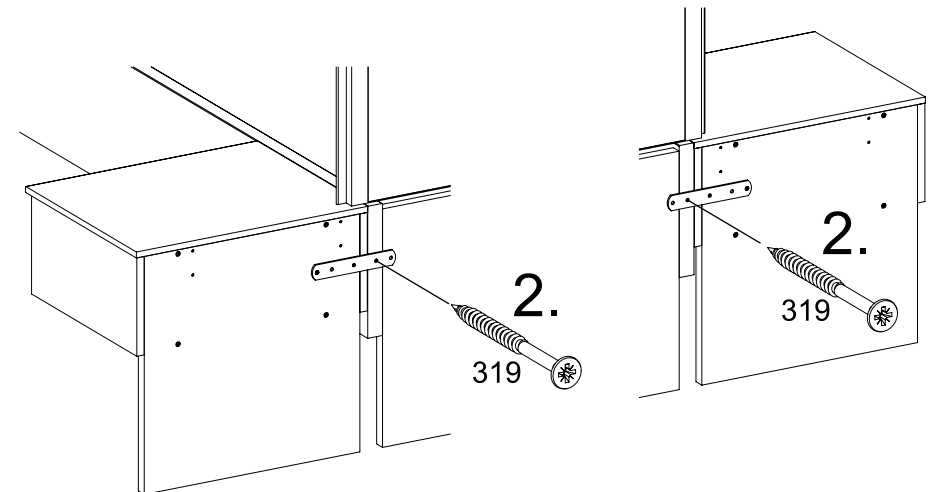
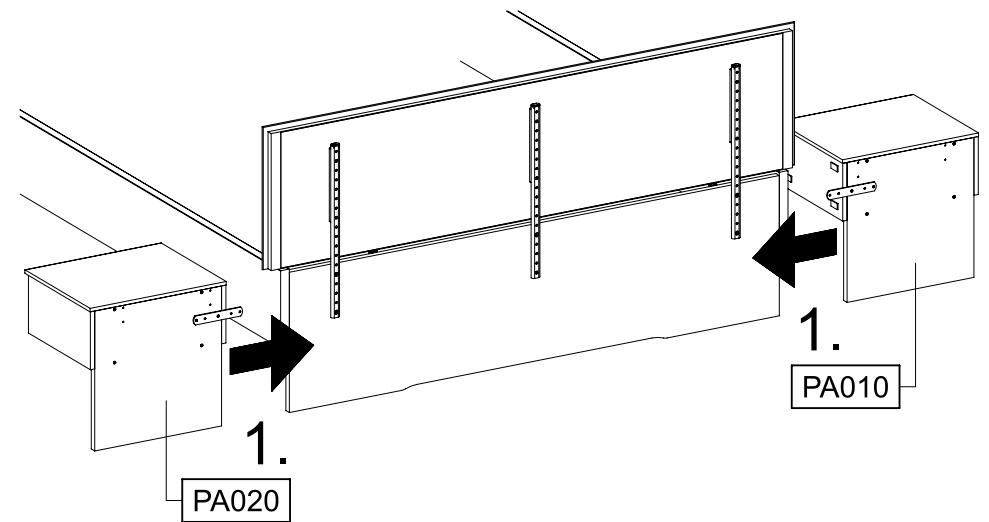
20

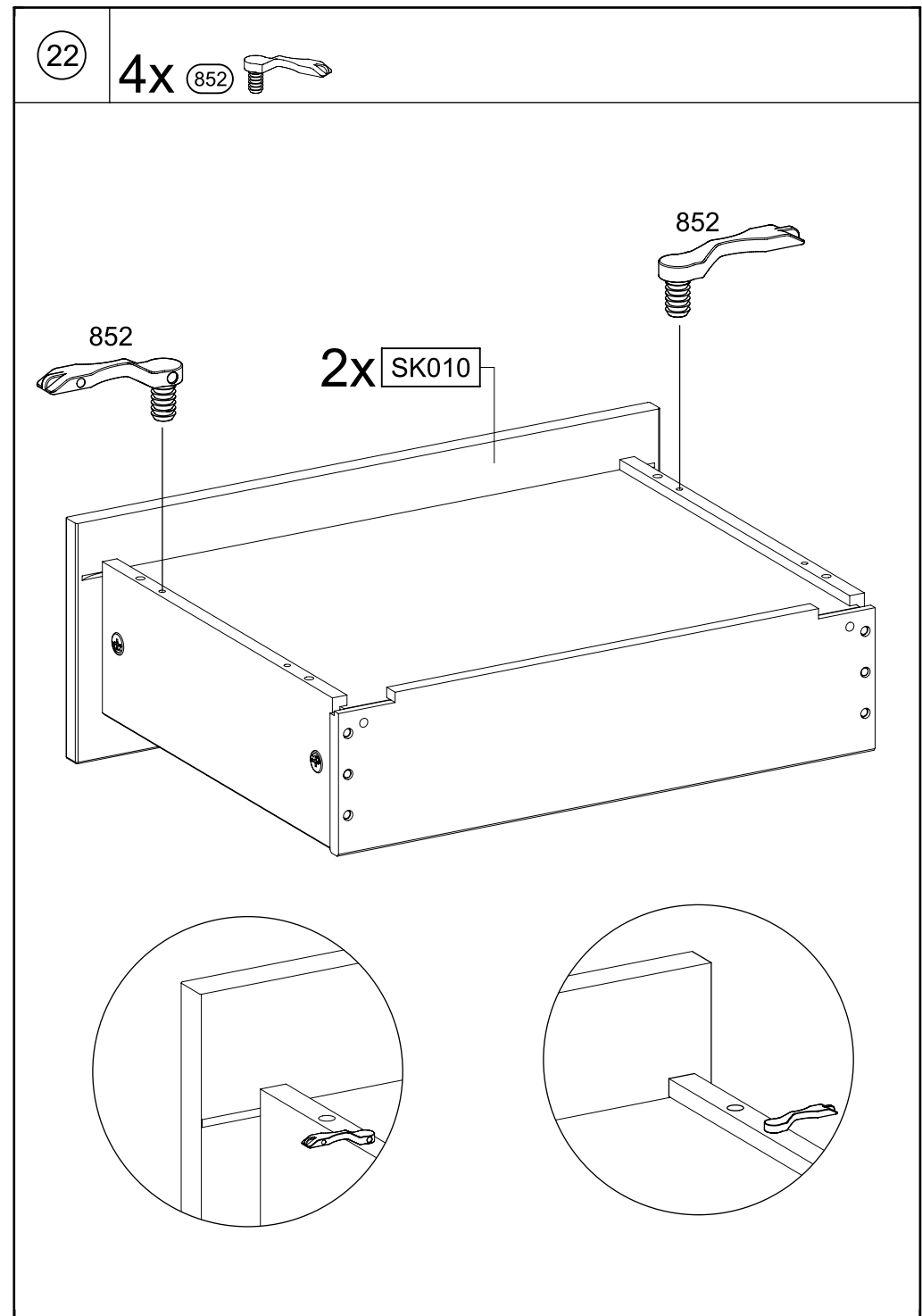
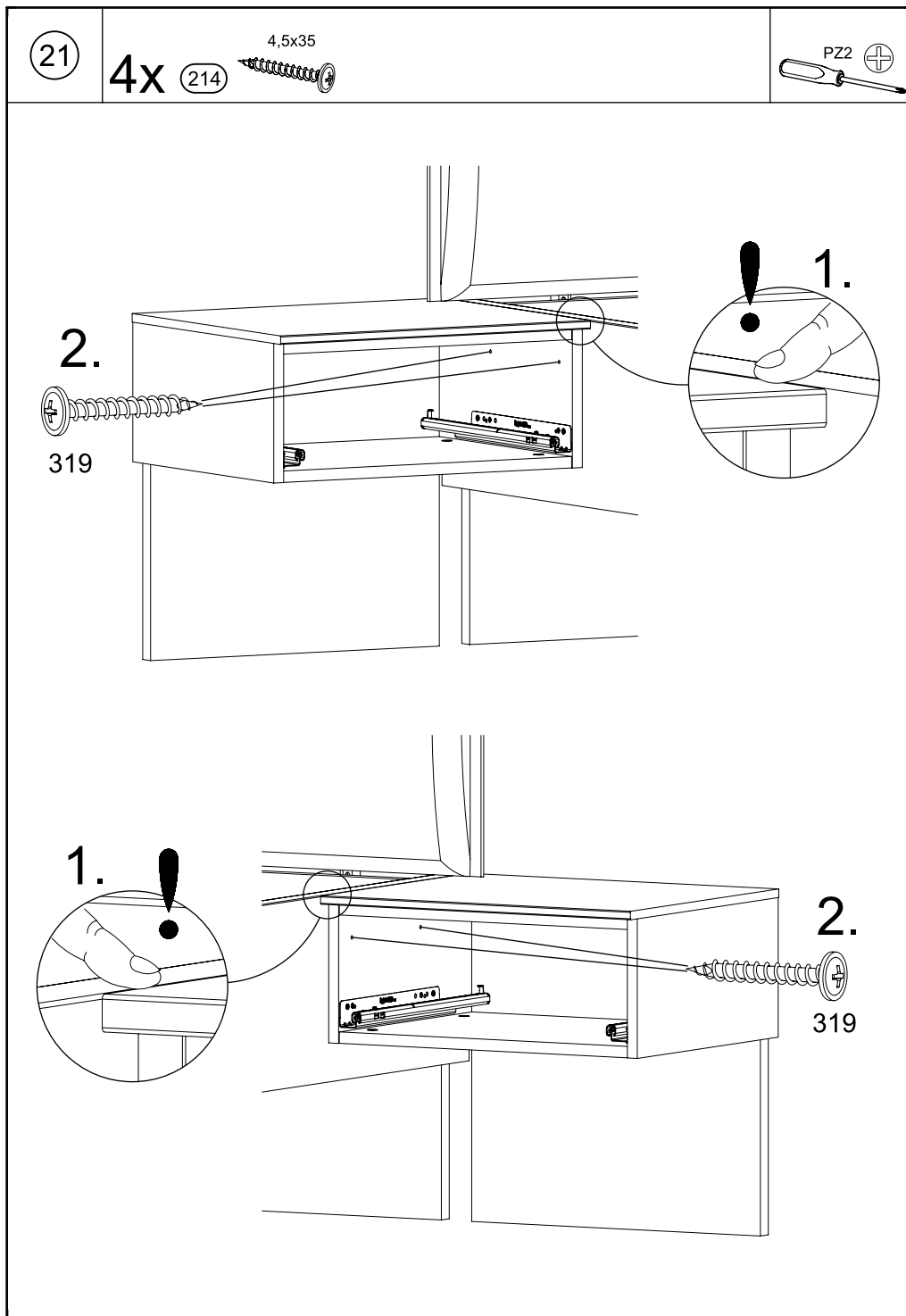
2x 319

5x65

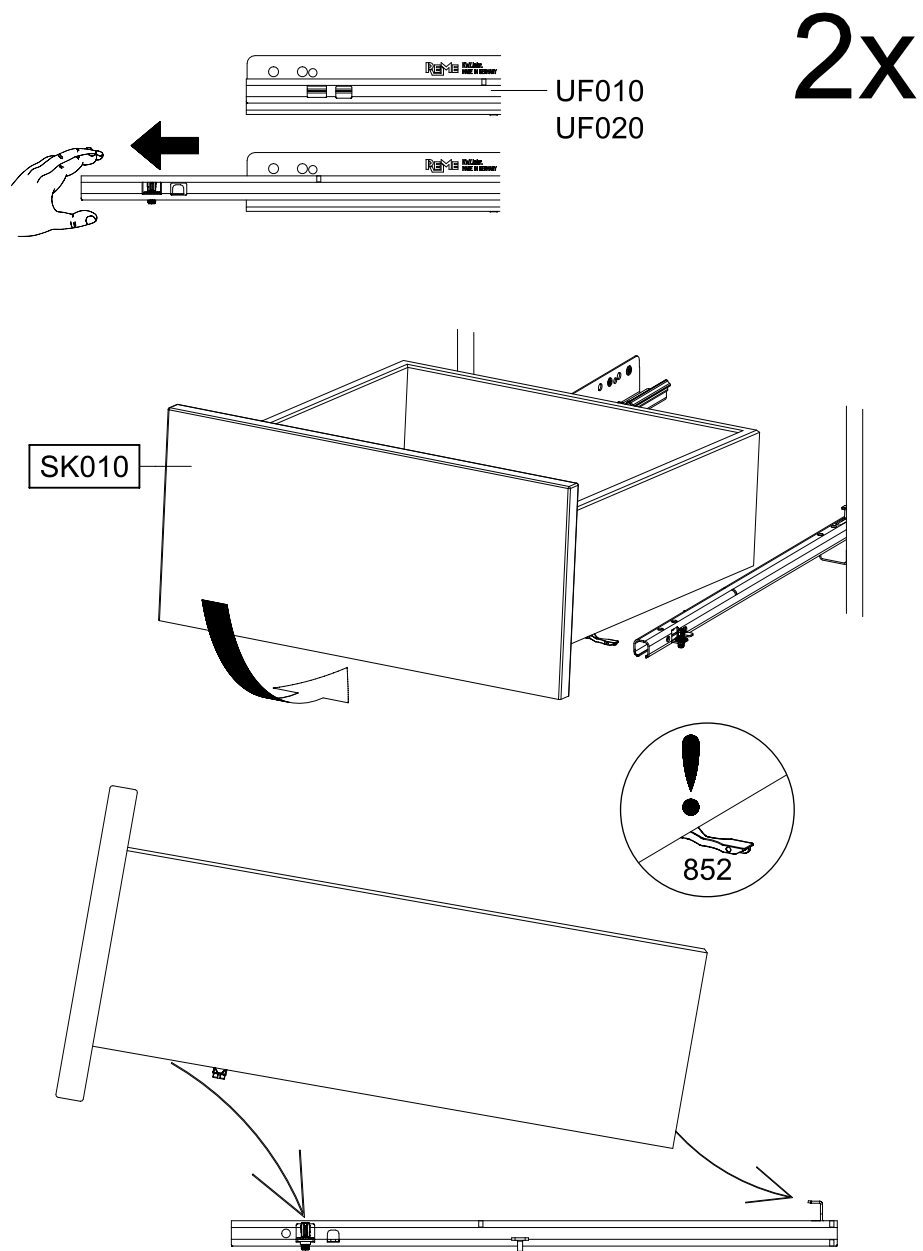


PZ2





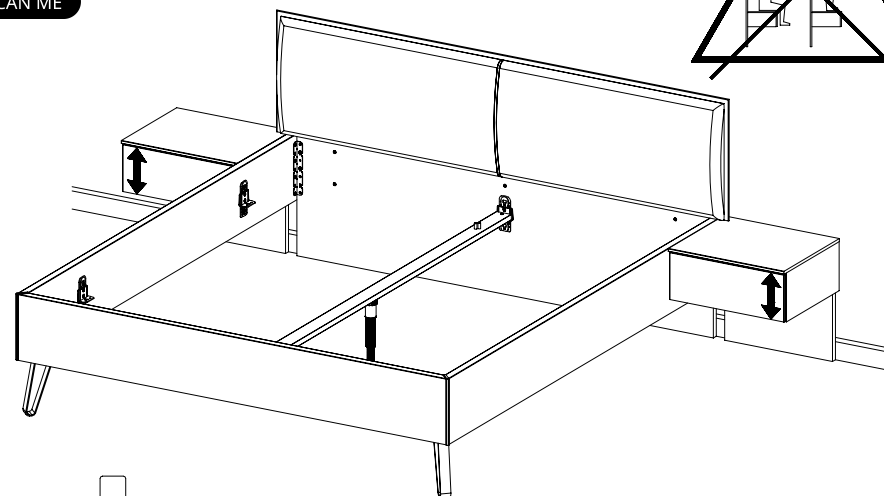
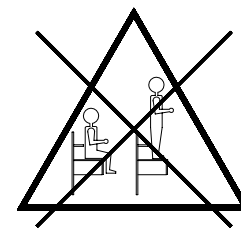
23



24



SCAN ME

SK010

1.

2.

852

1.

2.

852