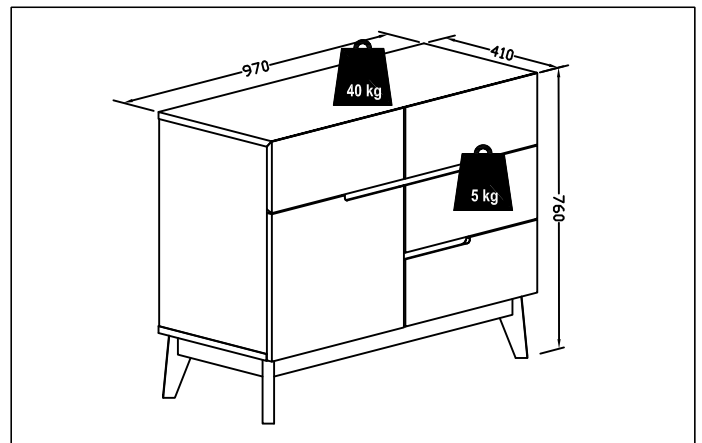
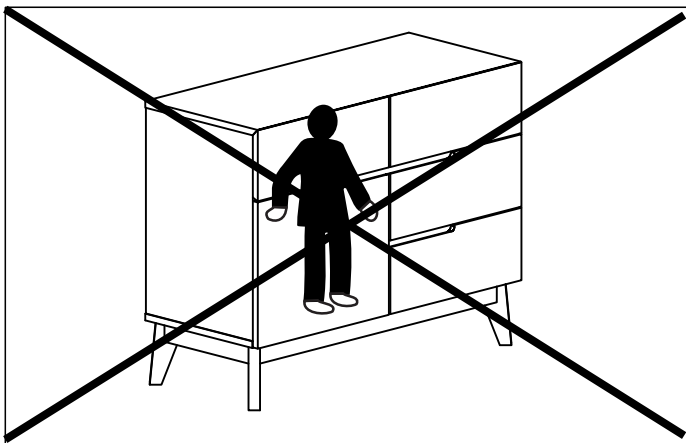
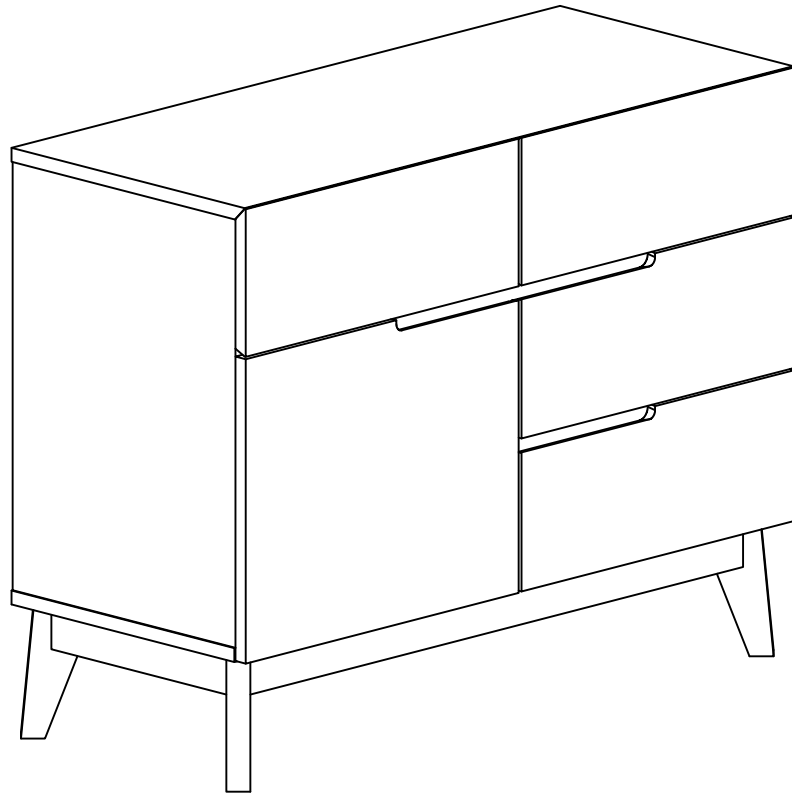
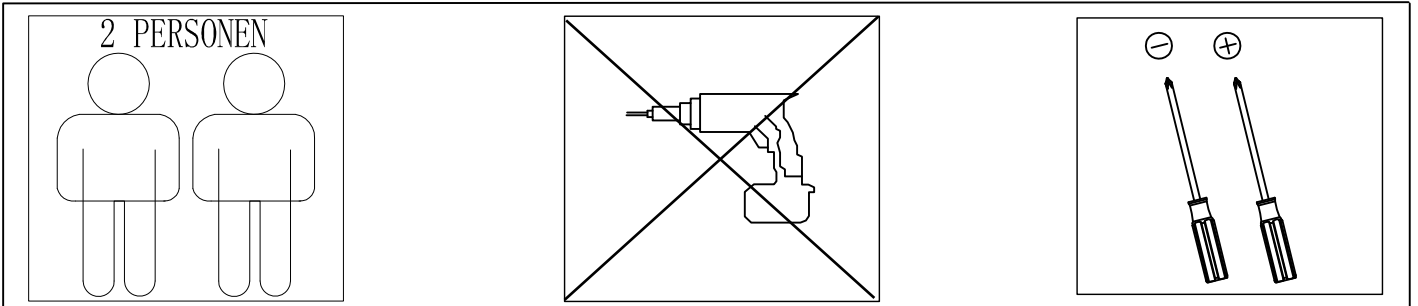
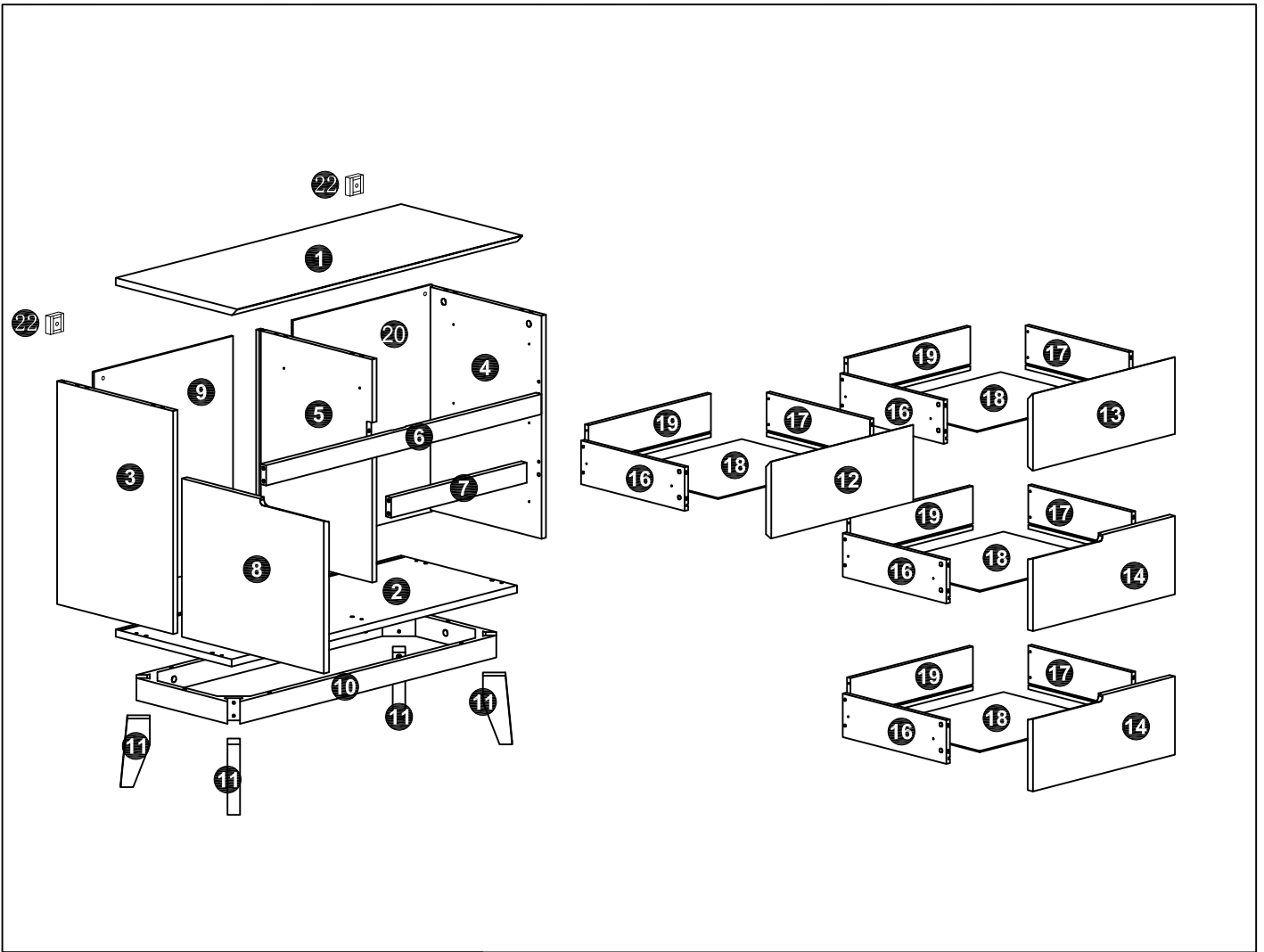
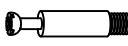

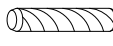



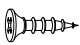


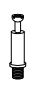

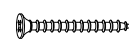
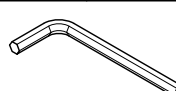




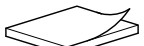


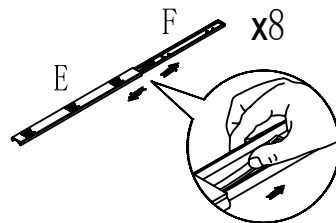
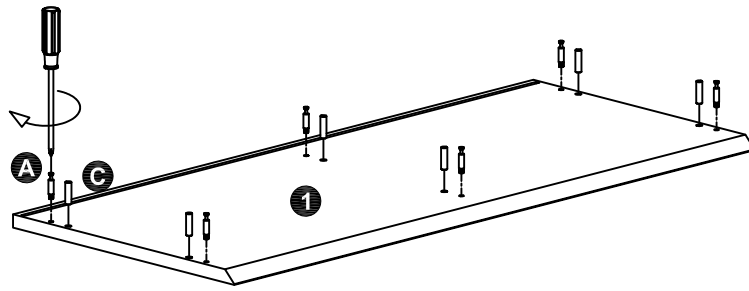
05750076/02

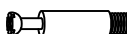


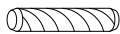


A	x17	B	x17	C	x16	D	x6	E	x8	F	x8
											
M6x36mm		Ø15x12mm		Ø8x30mm		Ø7x50mm		340x26x10mm		340x26x10mm	
G	x32	H	x8	I	x8	J	x16	K	x16	L	x16
											
Ø4x13mm		M6x35mm		Ø18mm		Ø6x25mm		Ø10x10mm		4.2x25mm	
M	x1	N	x12	O	x2	P	x8	Q	x8	R	x4
											
M4		Ø4x13mm						Ø3x16mm			

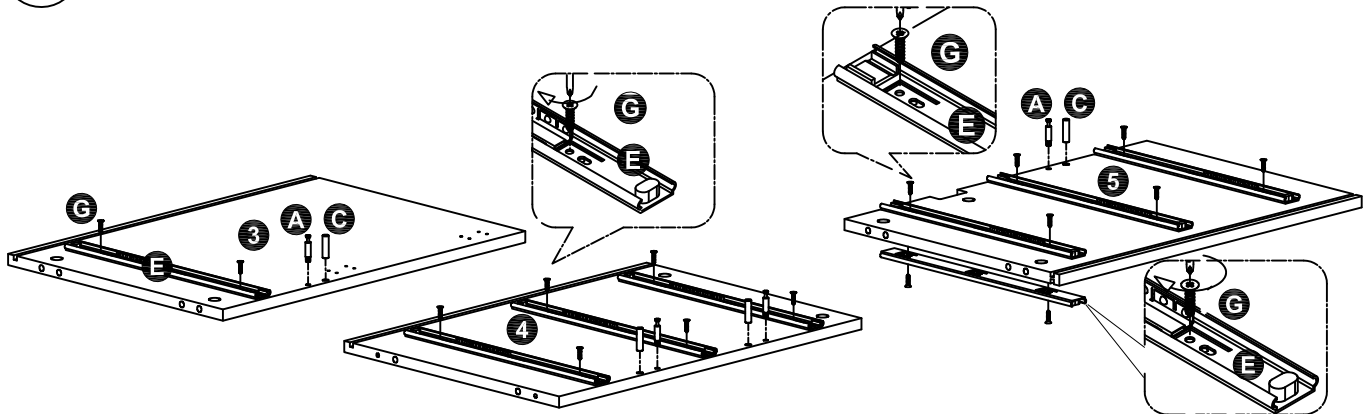
1

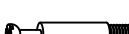



A	x6
	
M6x36mm	


C	x6
	
Ø8x30mm	


2



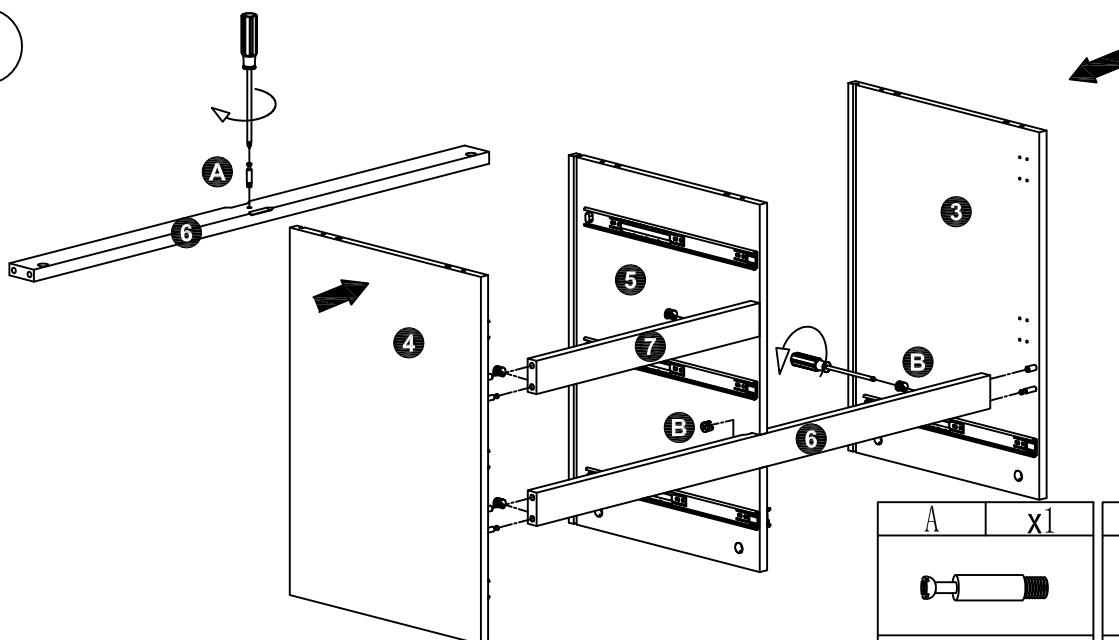
A	x4
	
M6x36mm	

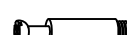
C	x4
	
Ø8x30mm	


E	x8
	
340x26x10mm	

G	x16
	
Ø4x13mm	

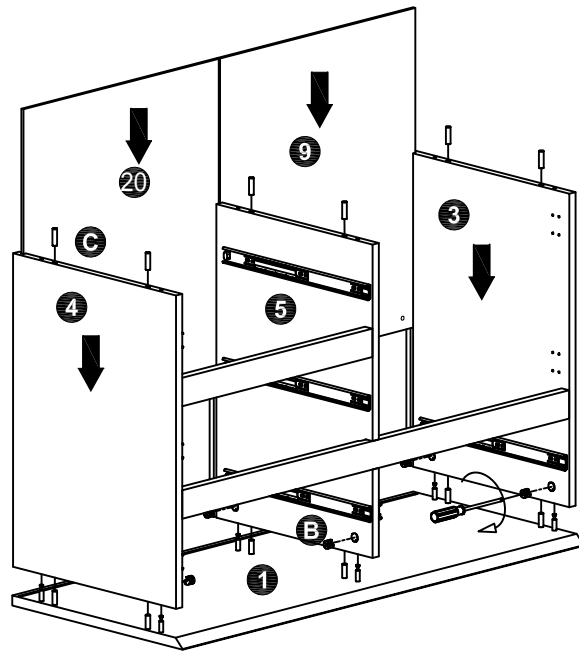
3


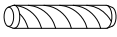


A	x1
	
M6x36mm	

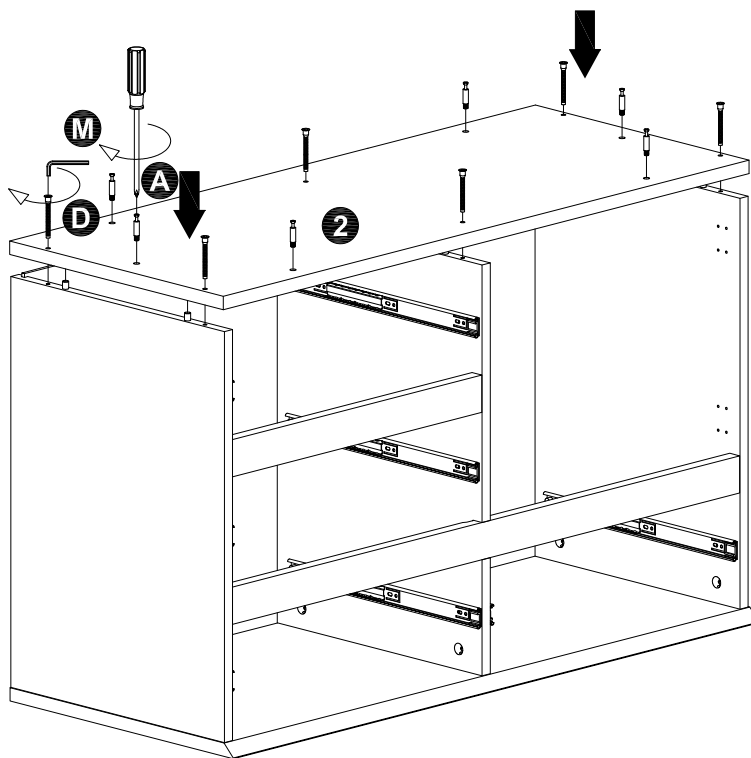
B	x5
	
Ø15x12mm	

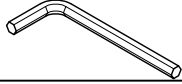
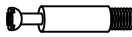

4

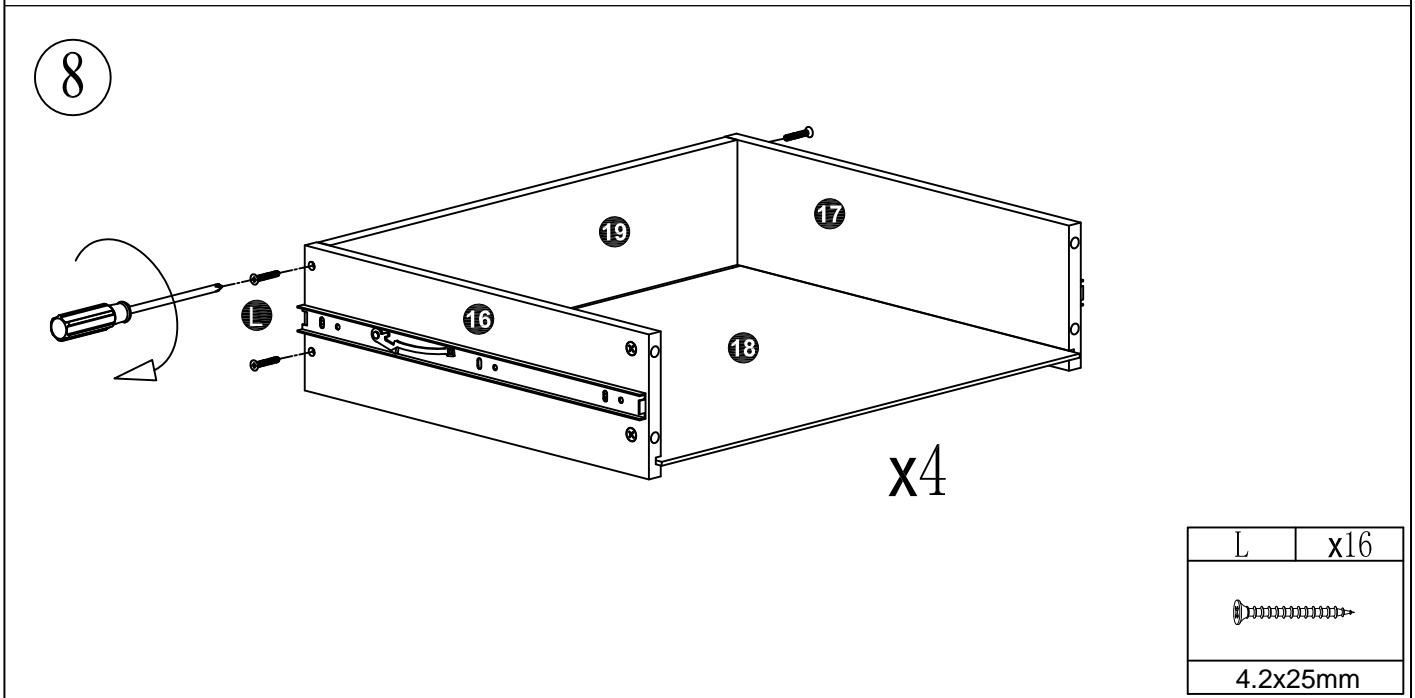
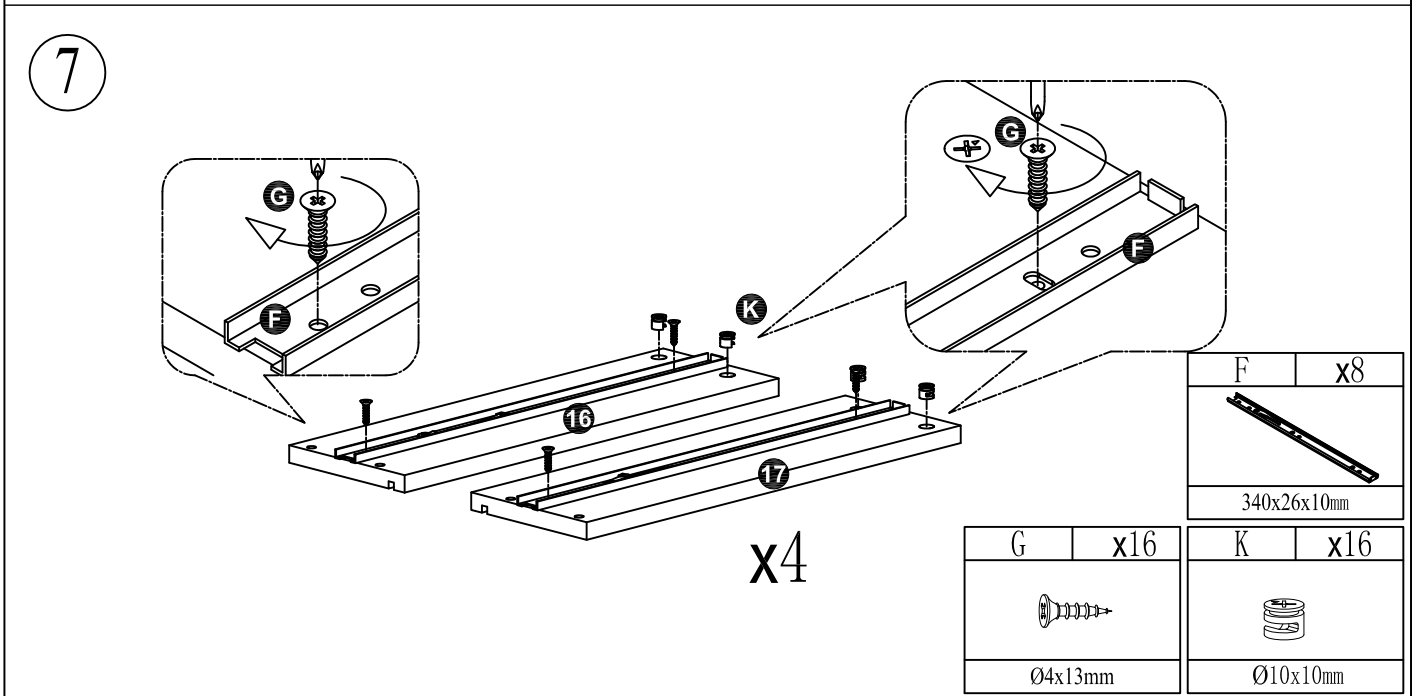
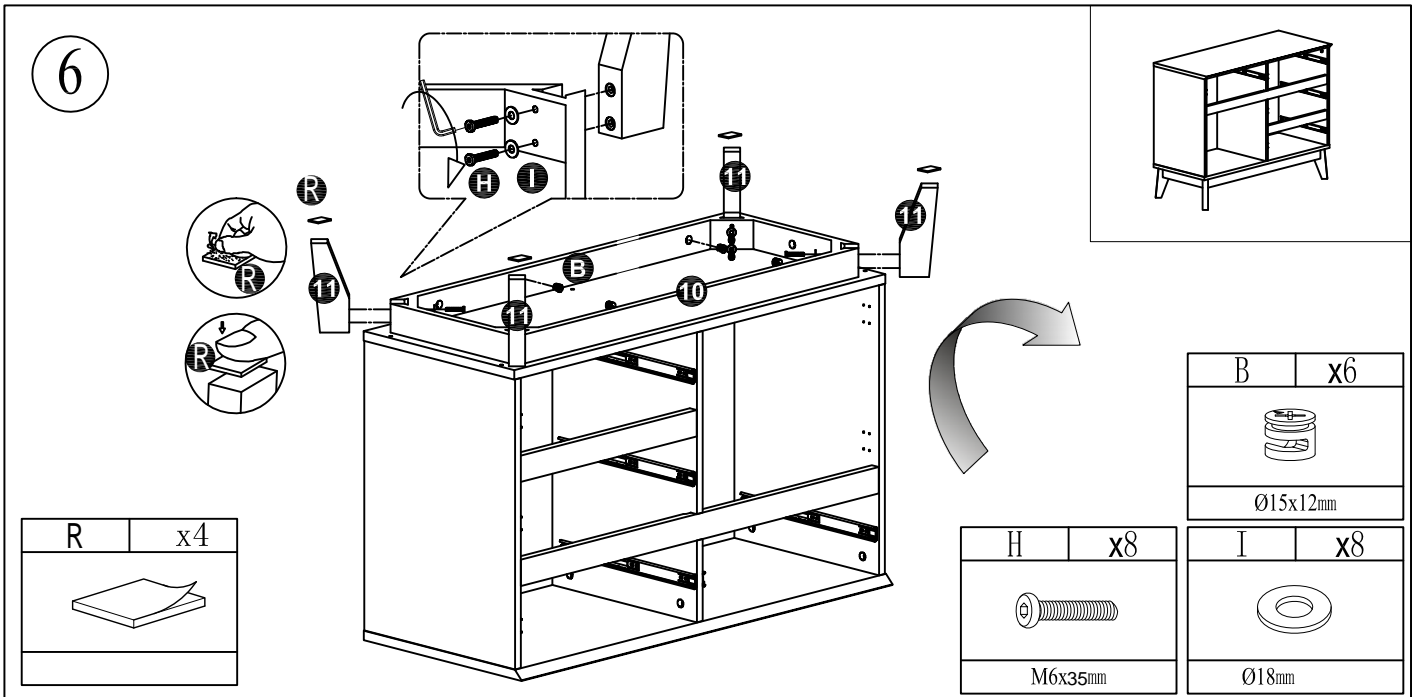


B	x6
	
Ø15x12mm	
C	x6
	
Ø8x30mm	

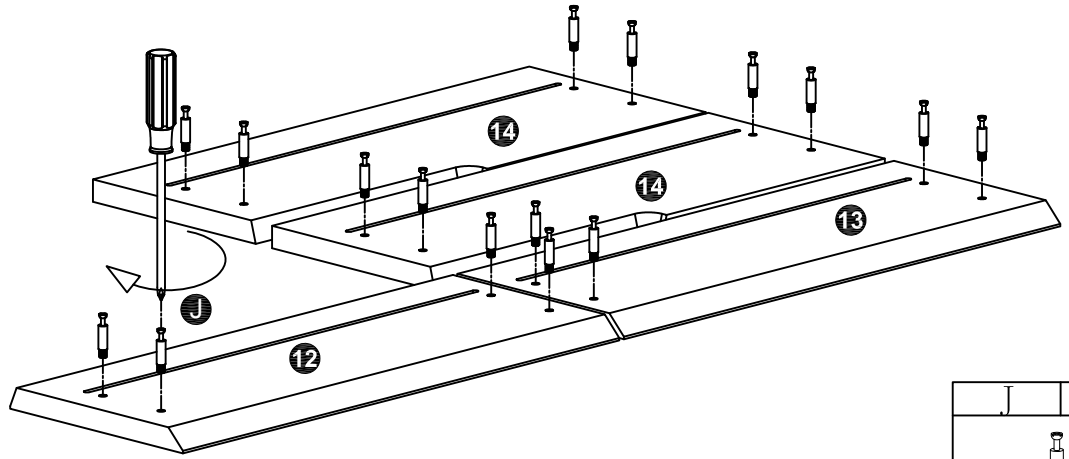
5




M	x1
	
M4	
A	x6
	
M6x36mm	
D	x6
	
Ø7x50mm	

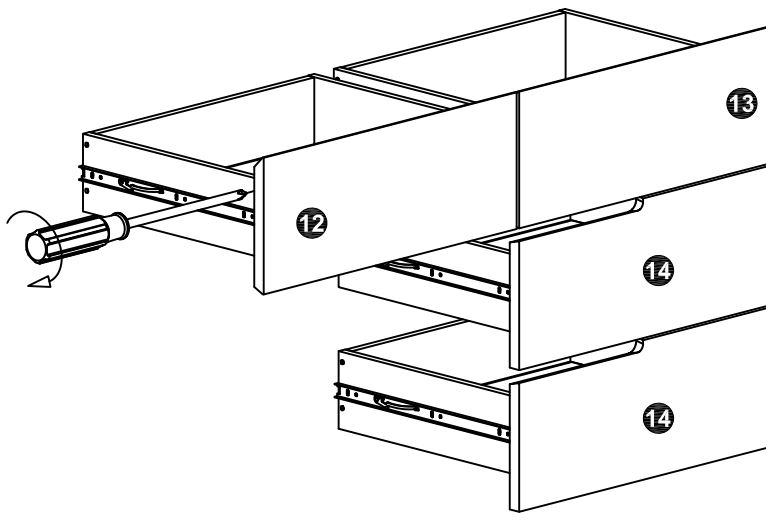


9

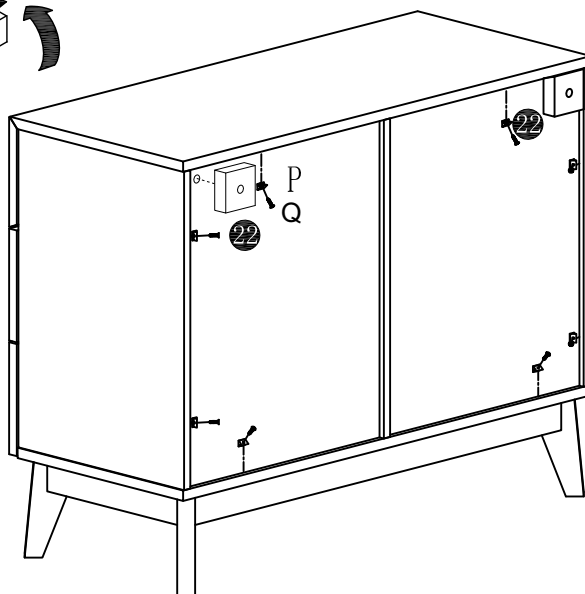
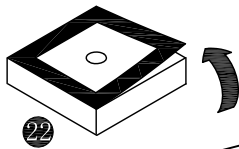



J	x16
	
Ø6x25mm	

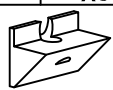
10



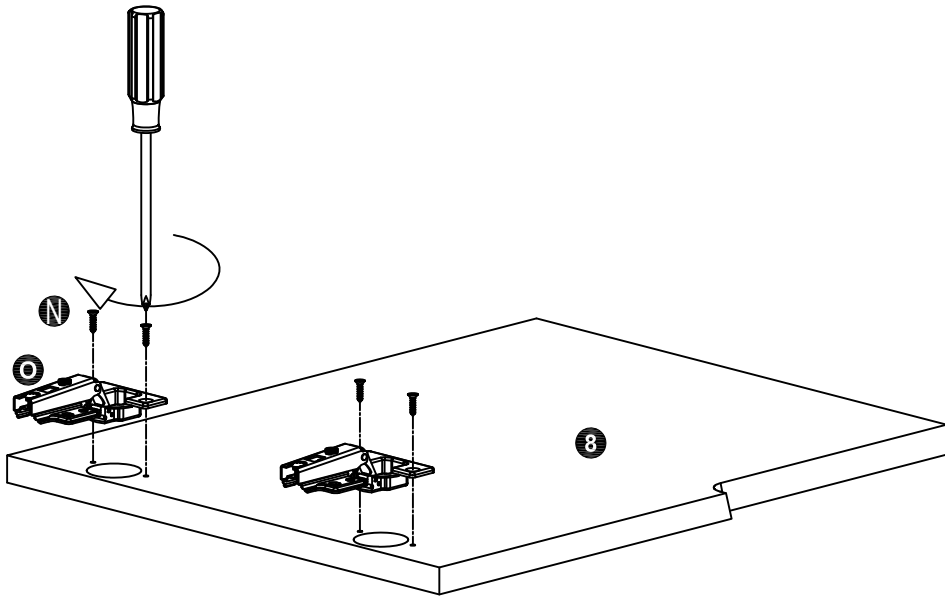
11



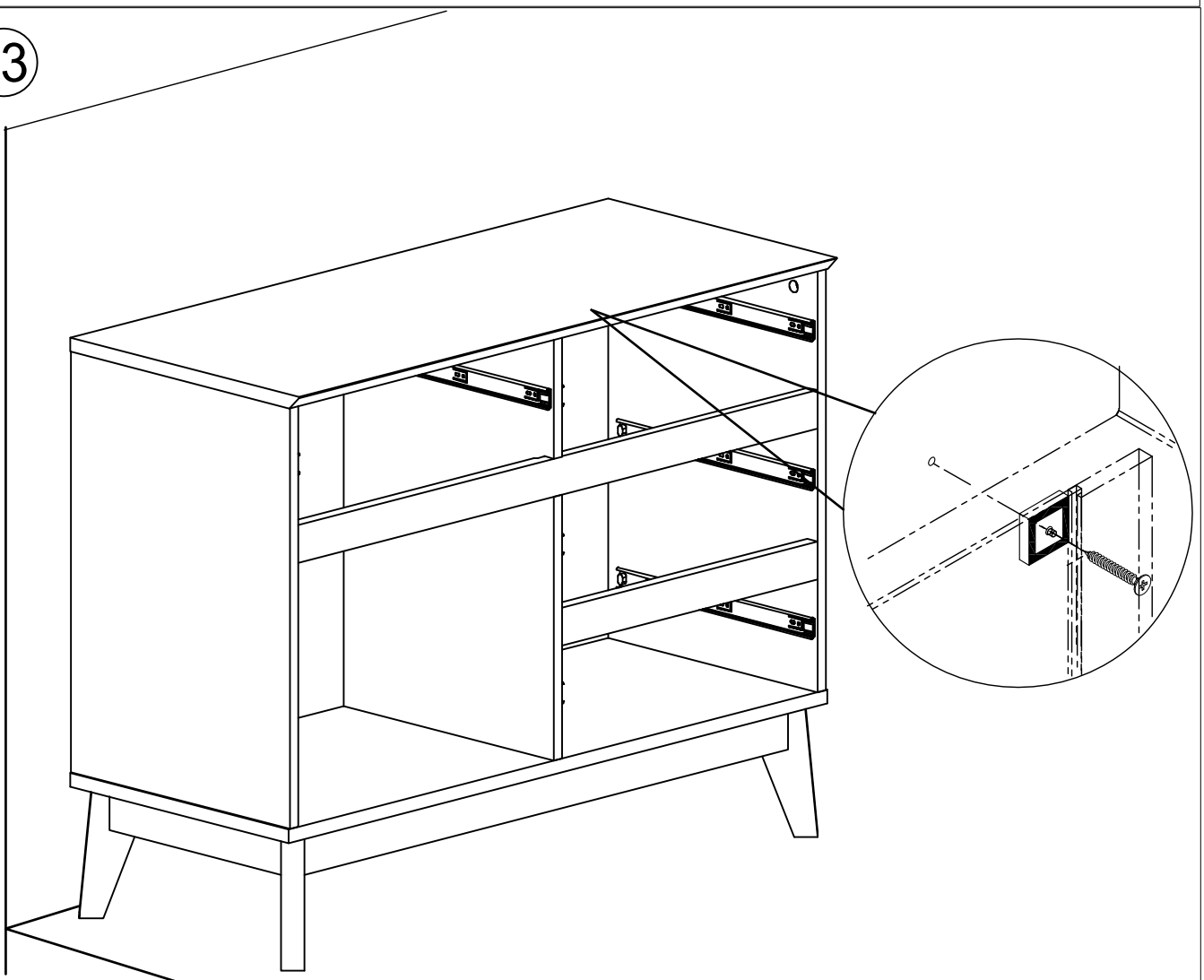
Q	x8
	
Ø3x16mm	

P	x8
	

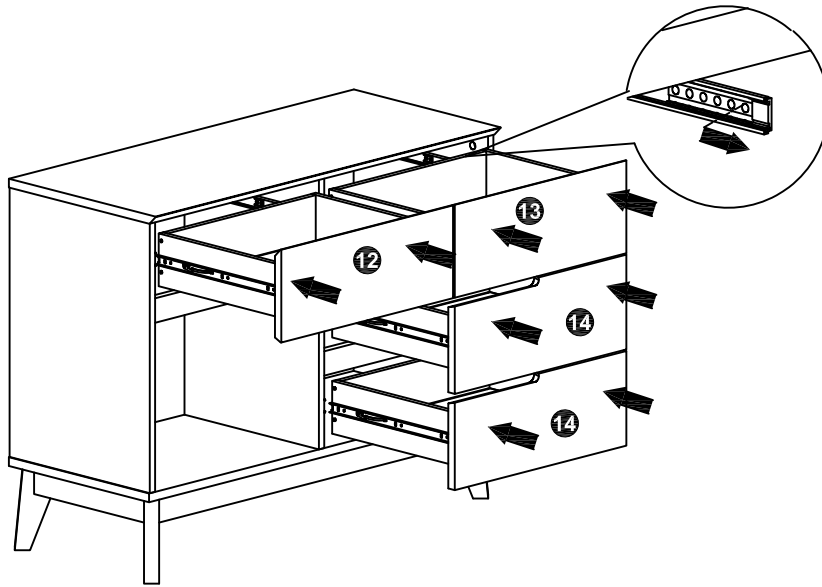
12



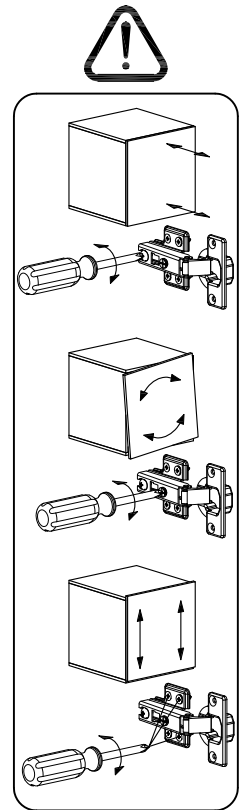
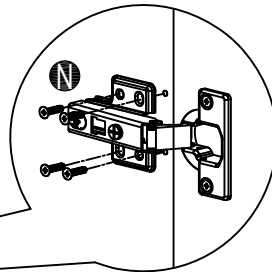
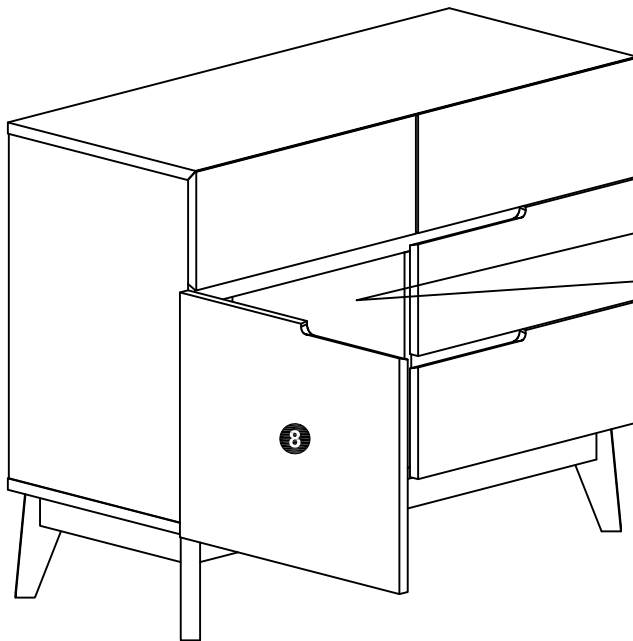
13




14



15



N	x8
	
Ø4x13mm	

16

