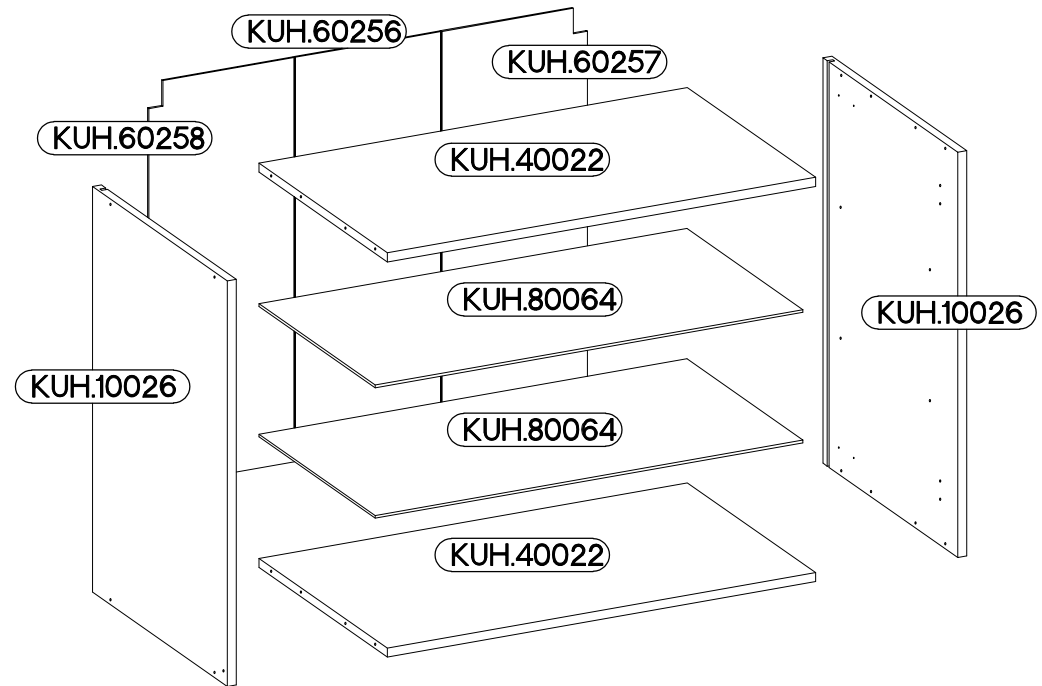
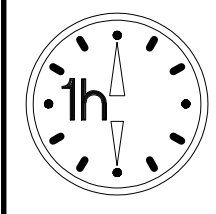
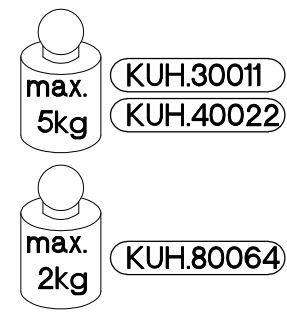
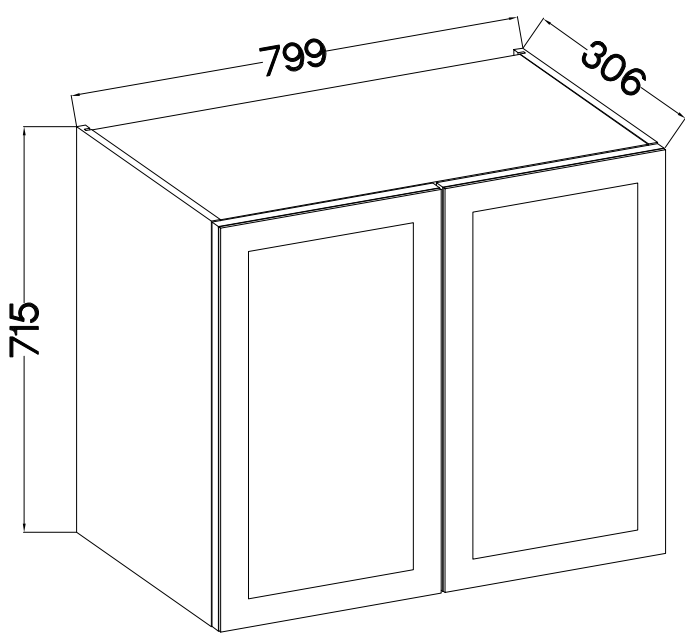
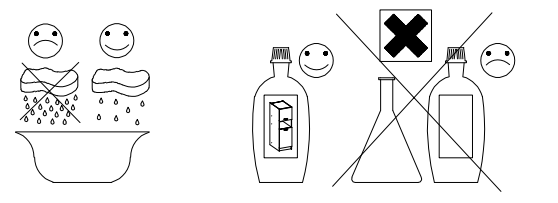
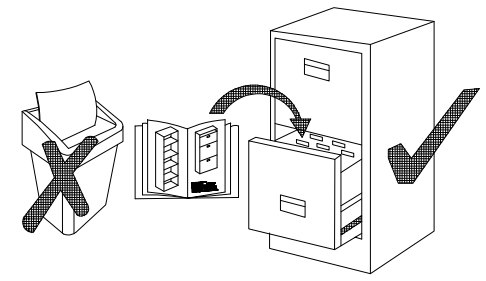


80 GS-72 2F

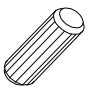

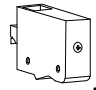


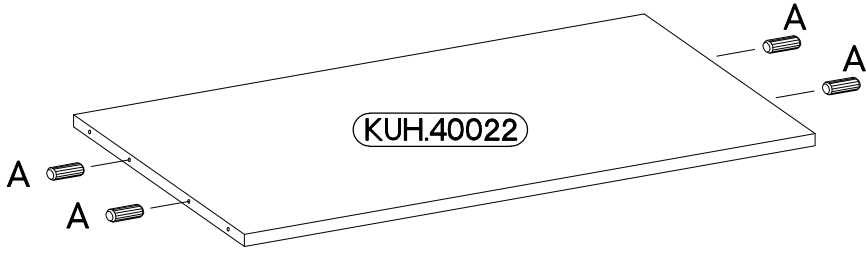
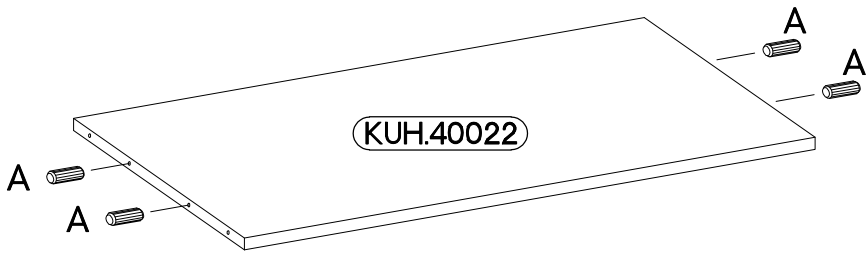
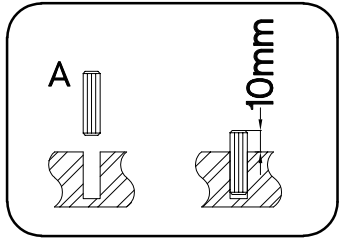
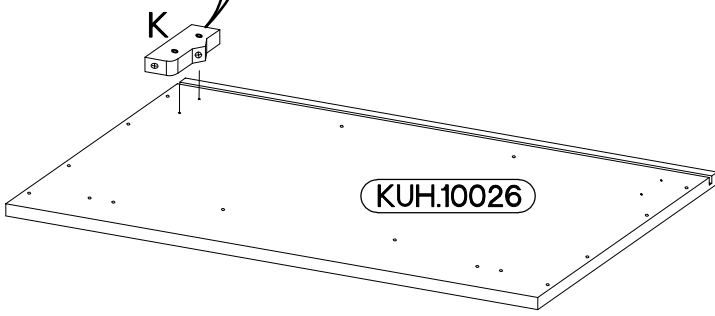
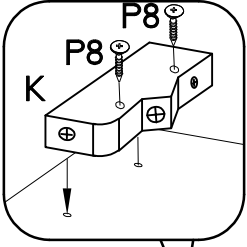
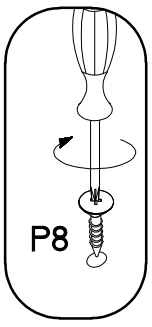
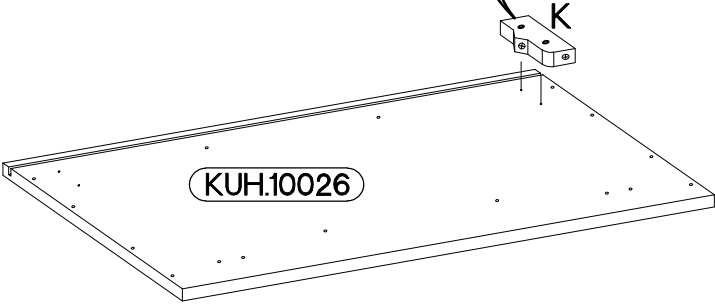
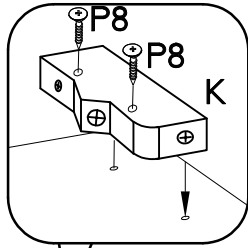
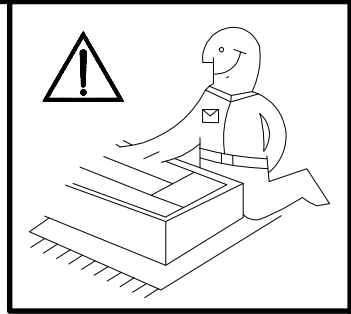
Ersatzteil Nummer	Dimension
KUH.10026 x2	715x290x16
KUH.40022 x2	767x276x16
KUH.60256	713x260x2,5
KUH.60257	713x260x2,5
KUH.60258	713x260x2,5
KUH.80064 x2	766x250x5

+8x30mm A	6,4 x 50mm B	E1	+35/0mm HG			
8	8	8	4			
+5/16mm J12	K	L1=680mm L1	O	+3.5x13mm P5	+3.0x20mm P7	+4.0x30mm P8
8	2	2	1	8	15-20	4



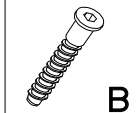
ISM-KUH-02004

 ‡8x30mm A	 ‡4.0x30mm P8	 K
8	4	2



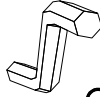
2

6,4 x 50mm



B

4



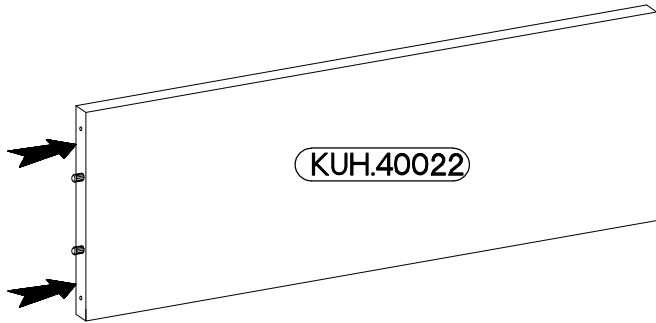
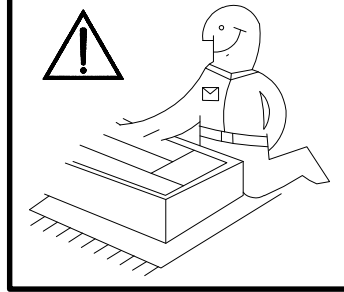
O

1

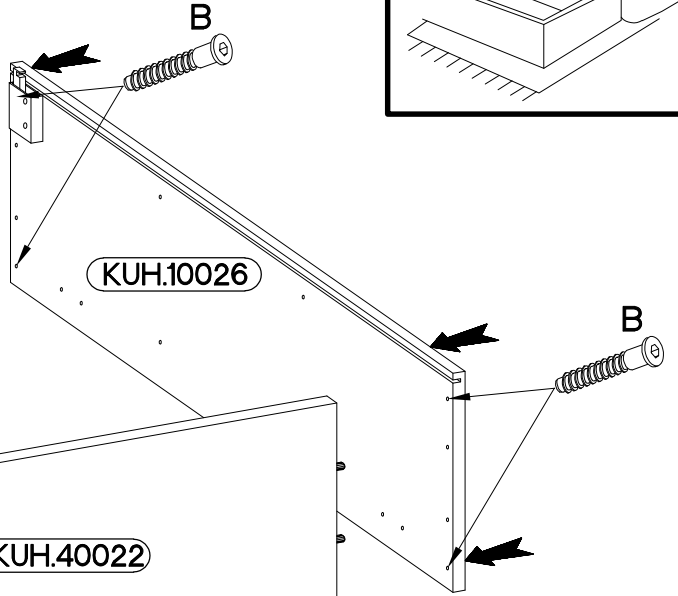


E1

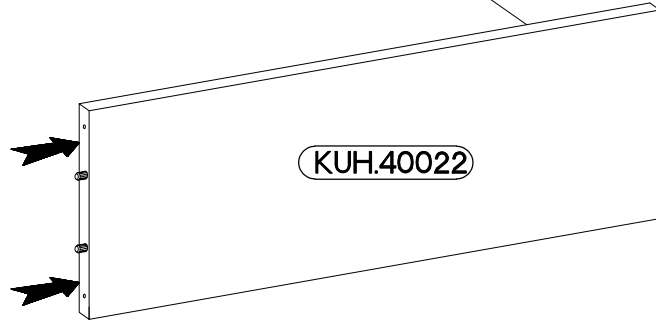
4



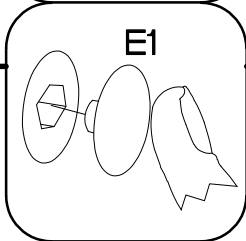
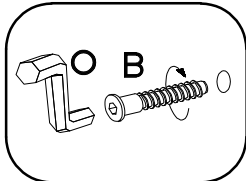
KUH.40022



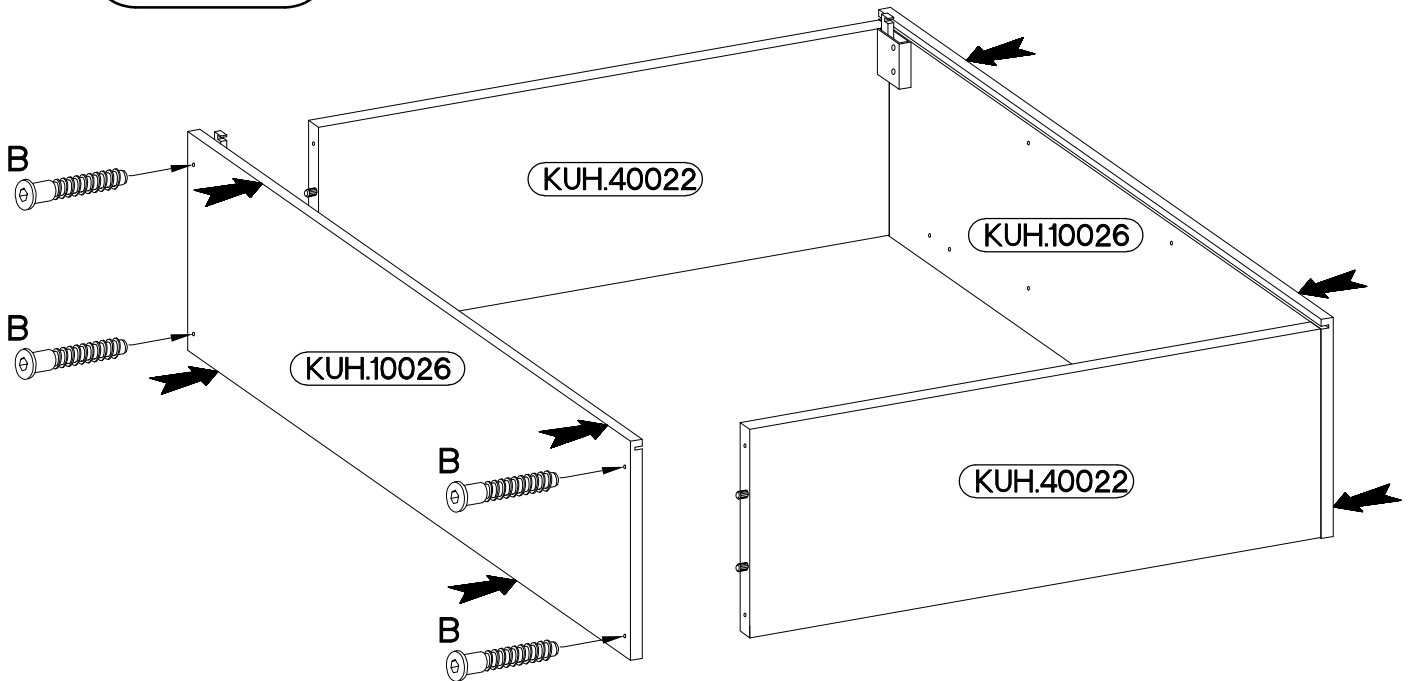
KUH.10026



KUH.40022



3



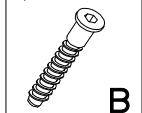
KUH.40022

KUH.10026

KUH.10026

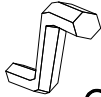
KUH.40022

6,4 x 50mm



B

4



O

1

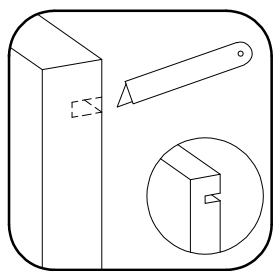
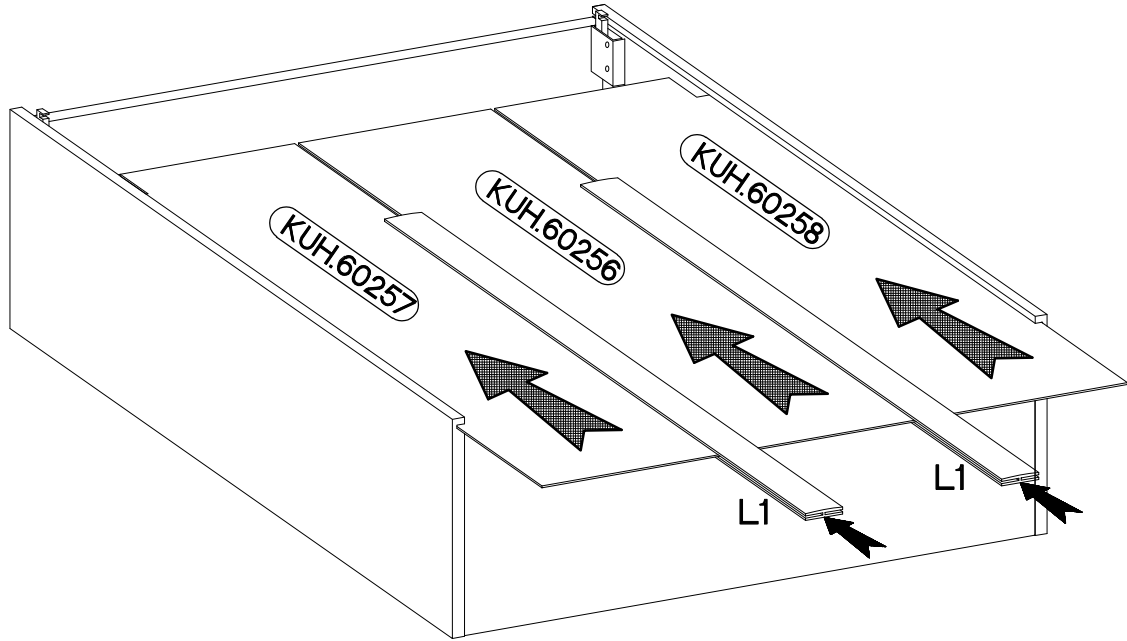
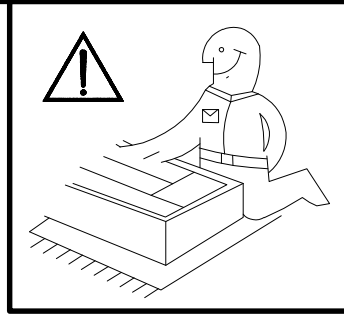
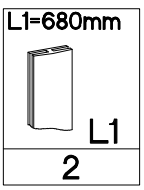


E1

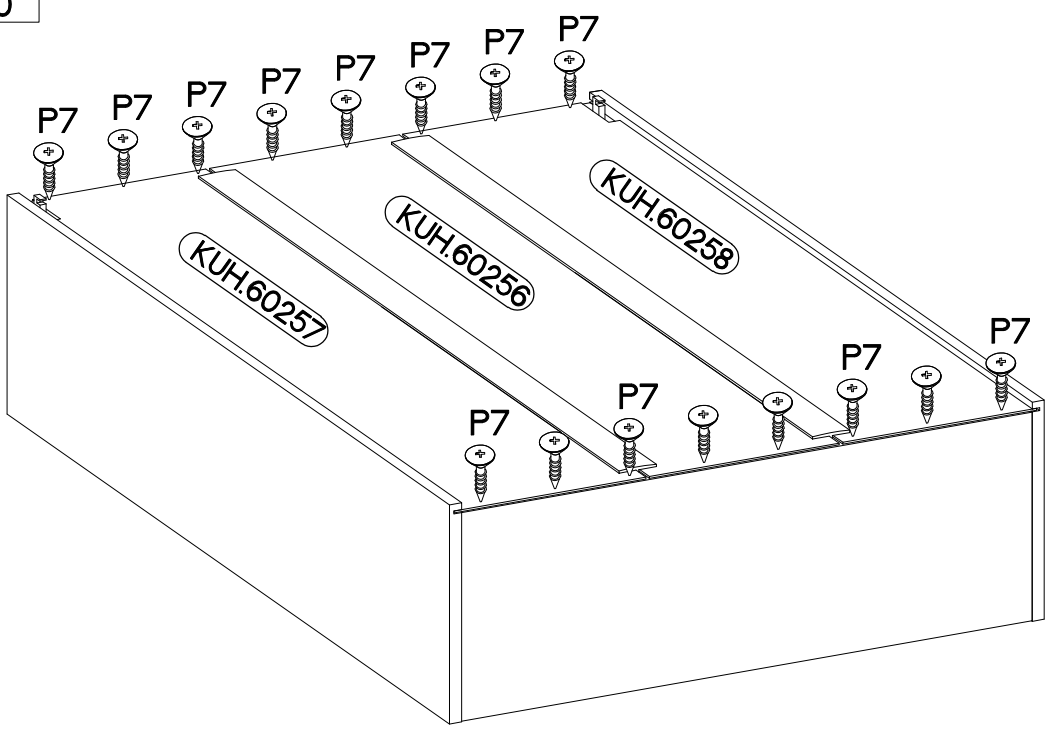
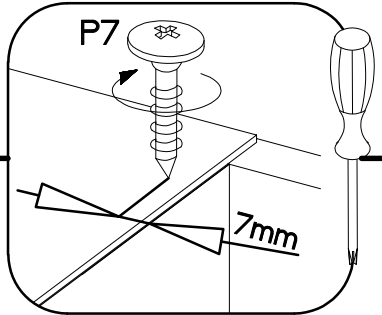
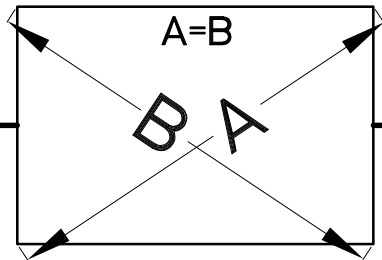
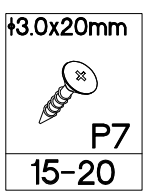
4

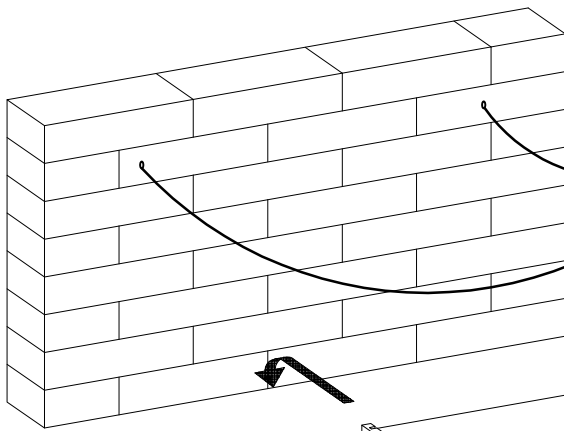
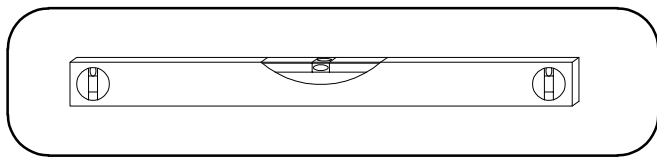
4

4

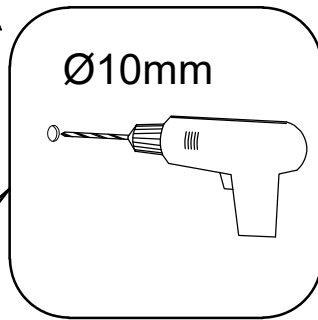


5

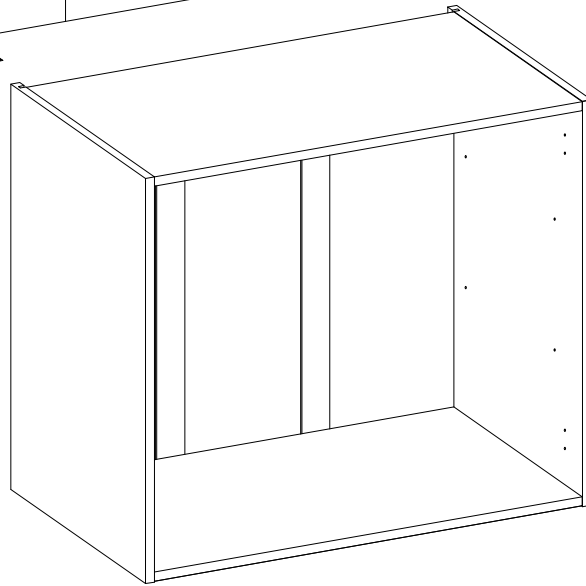




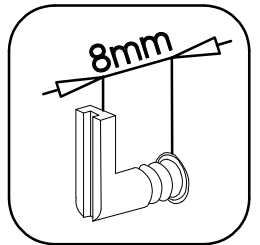
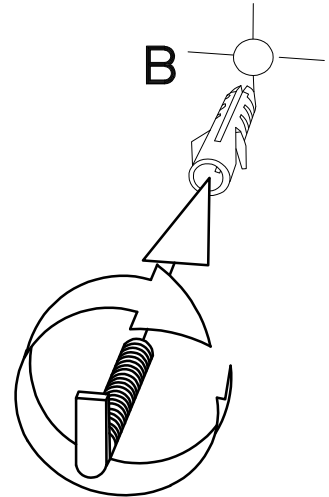
A



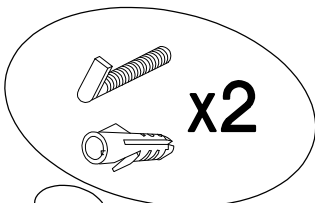
Ø10mm



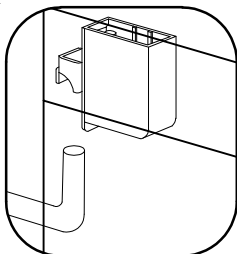
B



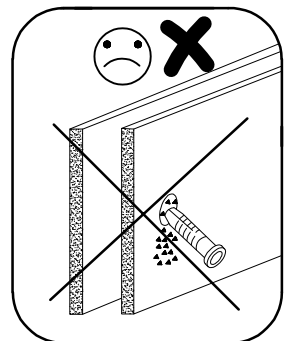
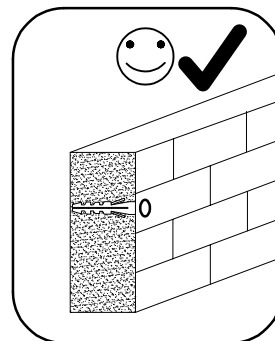
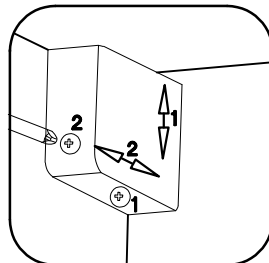
8mm



C

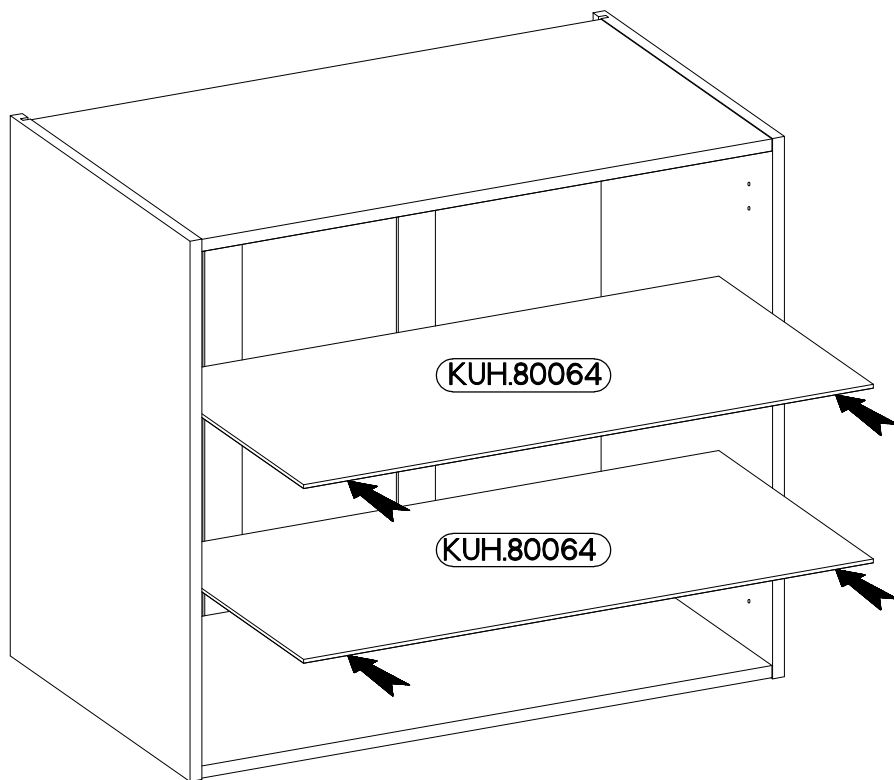
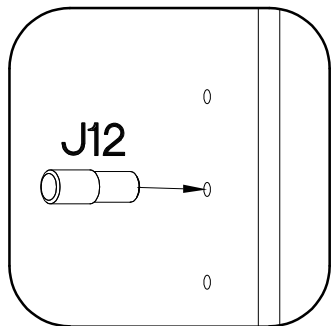
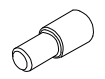


D



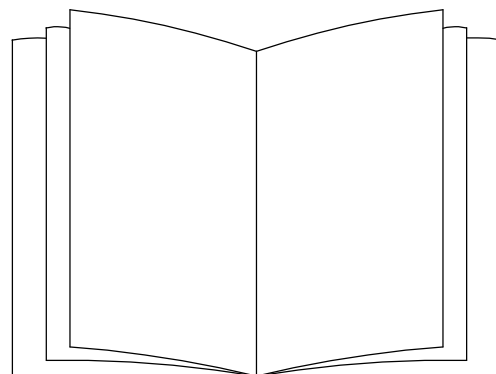
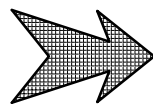
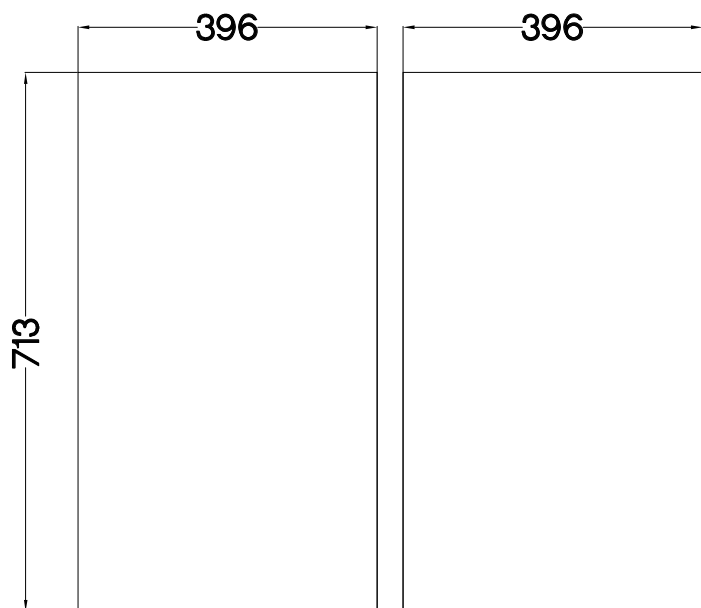
7

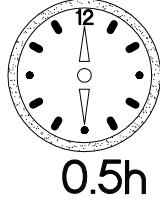
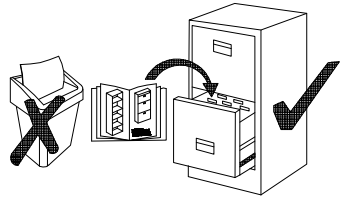
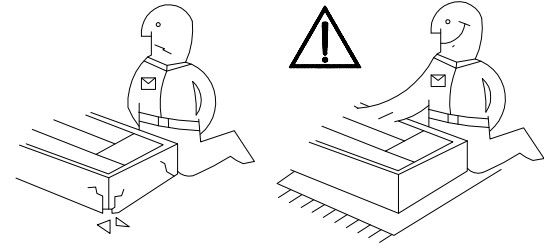
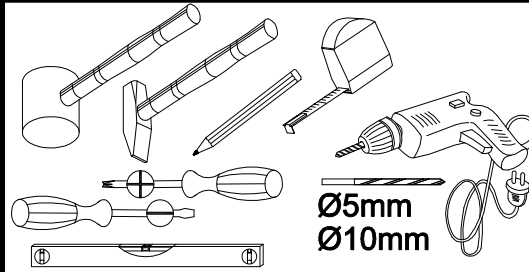
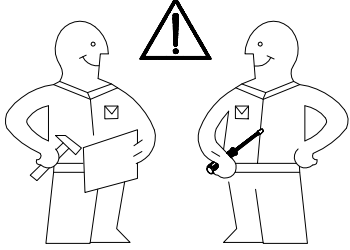
±5/16mm
J12
8



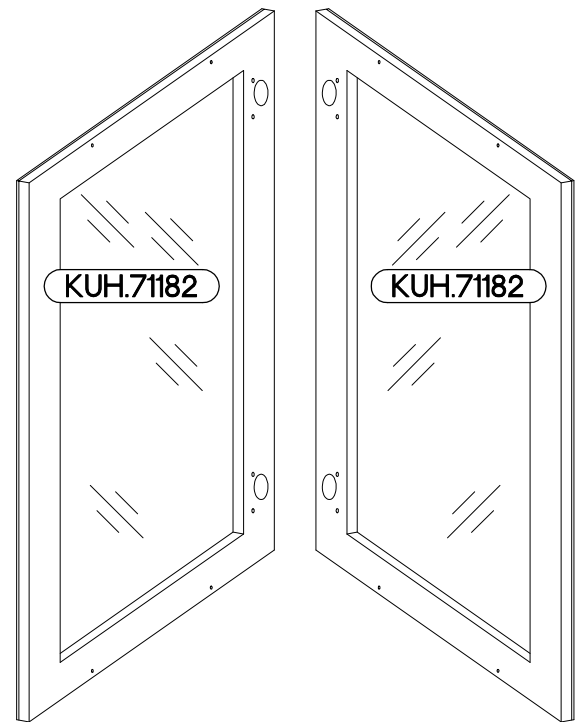
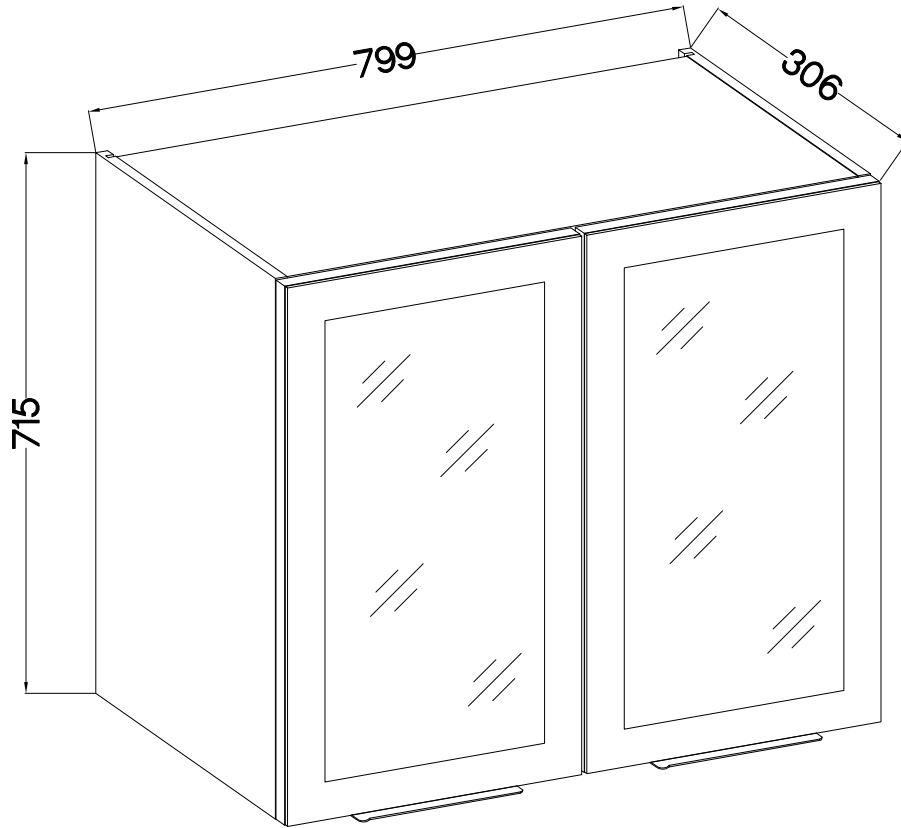
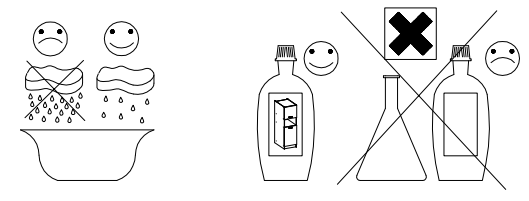
8



FRONT





80 GS-72 2F
FRONT






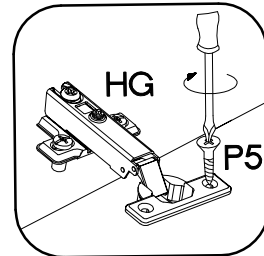
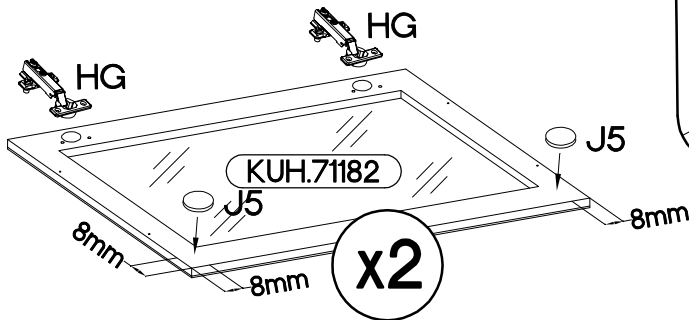
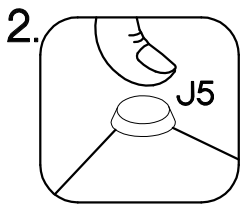
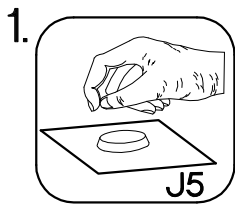
L=192mm  S 2	±7/2mm  J5 4
---	--

Ersatzteil Nummer	Dimension
KUH.71182 x2	713x396x17

ISM-KUH-02043


1

$\pm 35/0\text{mm}$  [CD] HG 4	$\pm 3.5 \times 13\text{mm}$  P5 8	$\pm 7/2\text{mm}$  J5 4
---	---	---



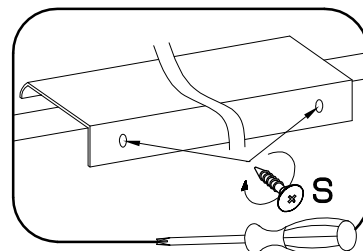
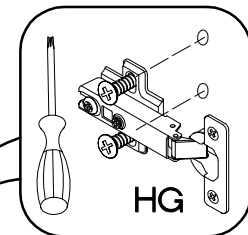
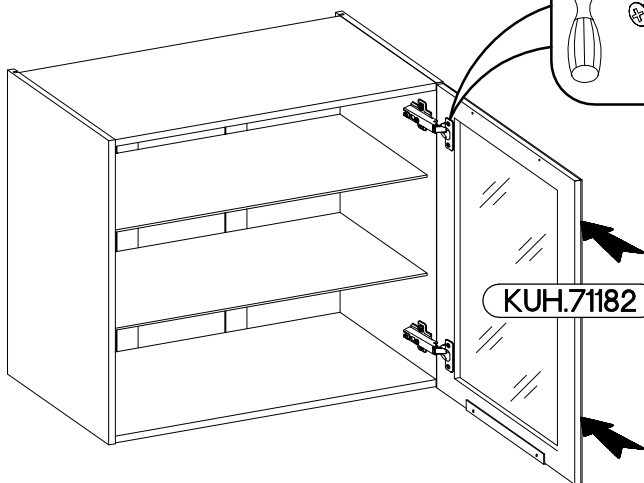
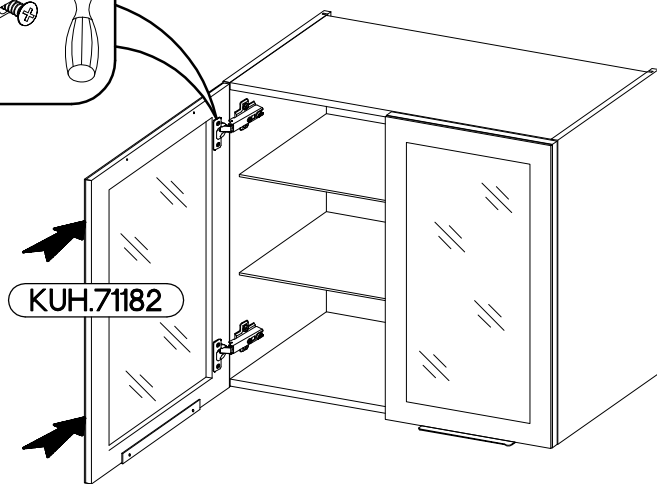
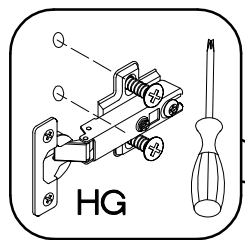
2

L=192mm



S

1



VARIANT HIGH GLOSS

