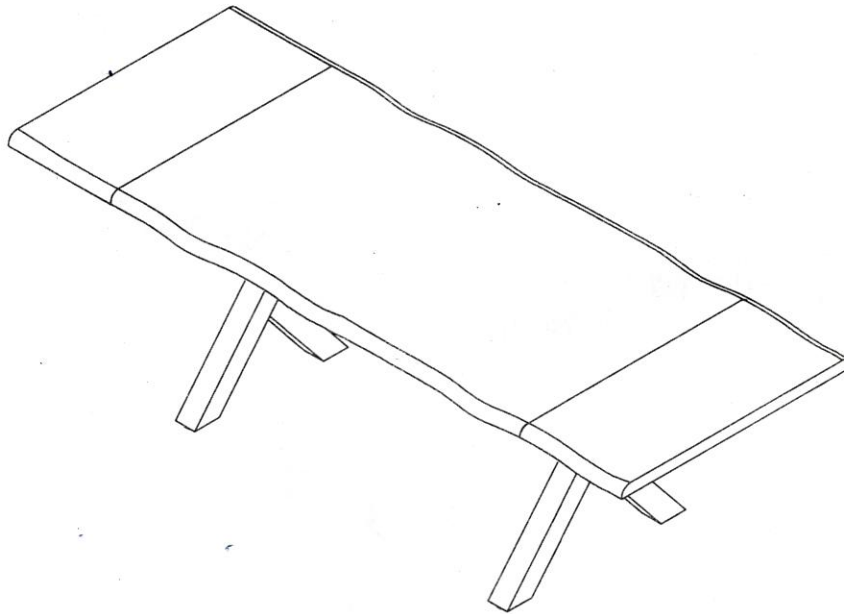











# ASSEMBLY INSTRUCTIONS

ART. NO. 20140146/01



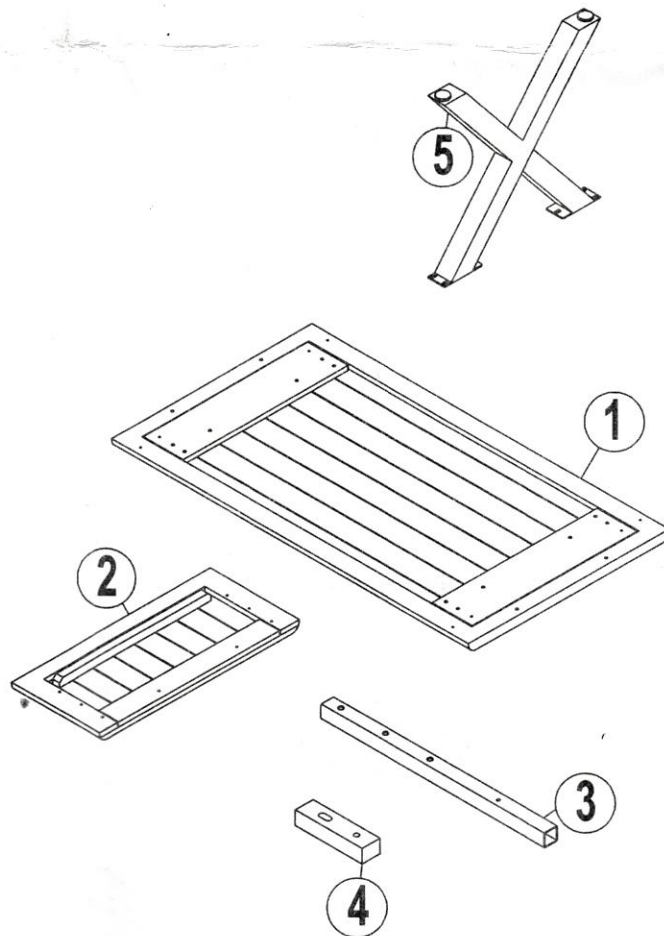
2x

## HARDWARE LIST

ITEM	GRAPHICS	QTY
A	BOLTS M8x20 	12
B	WASHER ( 1 x Ø9 x Ø18 ) 	20
C	WASHER ( 1 x Ø6 x Ø18 ) 	24
D	WRENCH ( 13 x 90 ) 	01
E	BOLTS M8 x 60 	08
F	BOLTS M6 x 50 	12
G	BOLTS M6 x 20 	12
H	ALLEN KEY 	01
I	BAS 	04

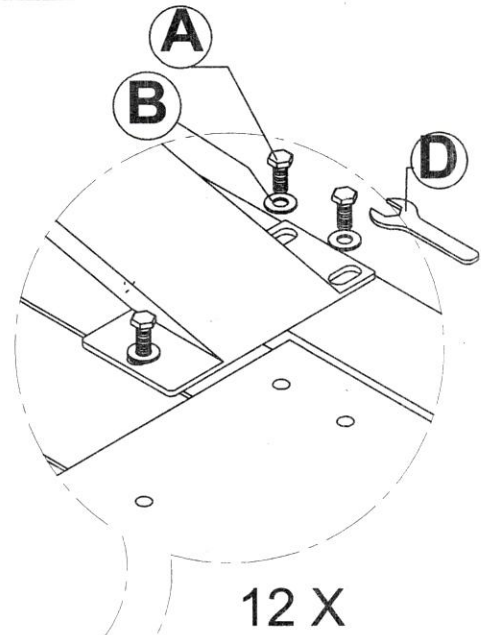
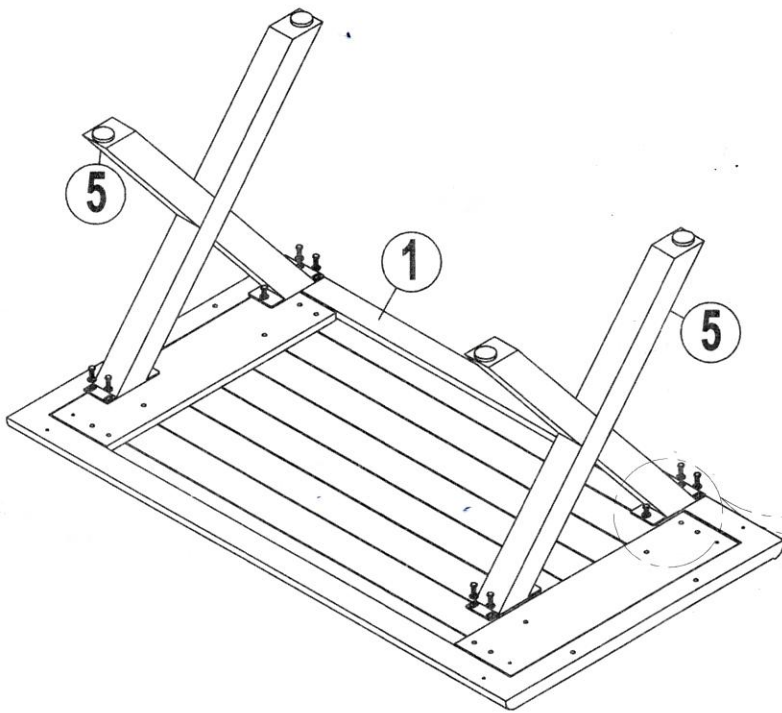
## LIST OF WOOD PARTS

ITEM	DESCRIPTION	QTY
1	TOP TABLE	01
2	EXT TABLE	02
3	SUPPORT TABLE	04
4	WOODEN SUPPORT	04
5	LEGS	02

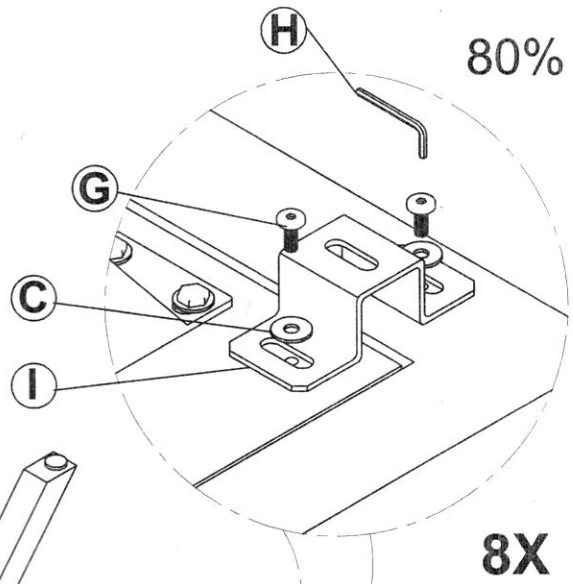
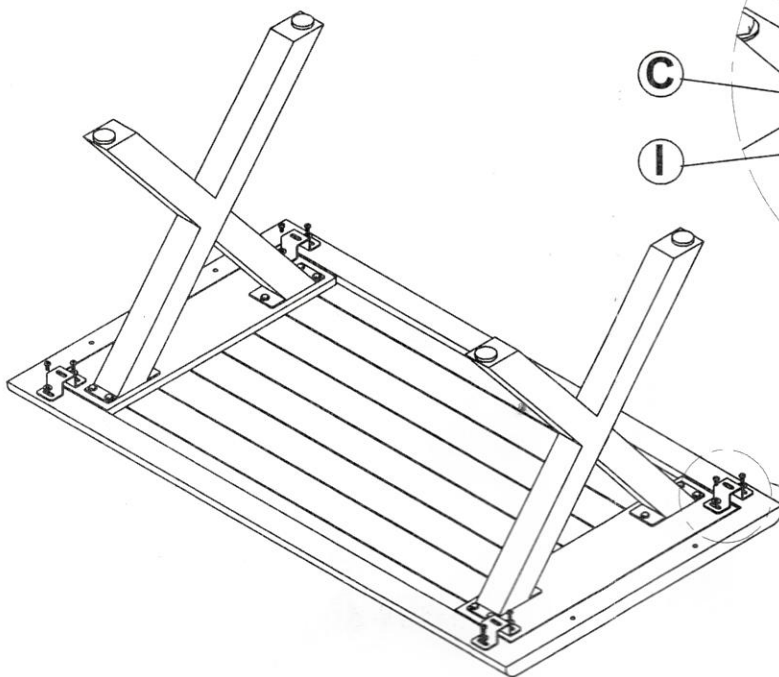


**Step 1**

**ASSEMBLY INSTRUCTIONS**

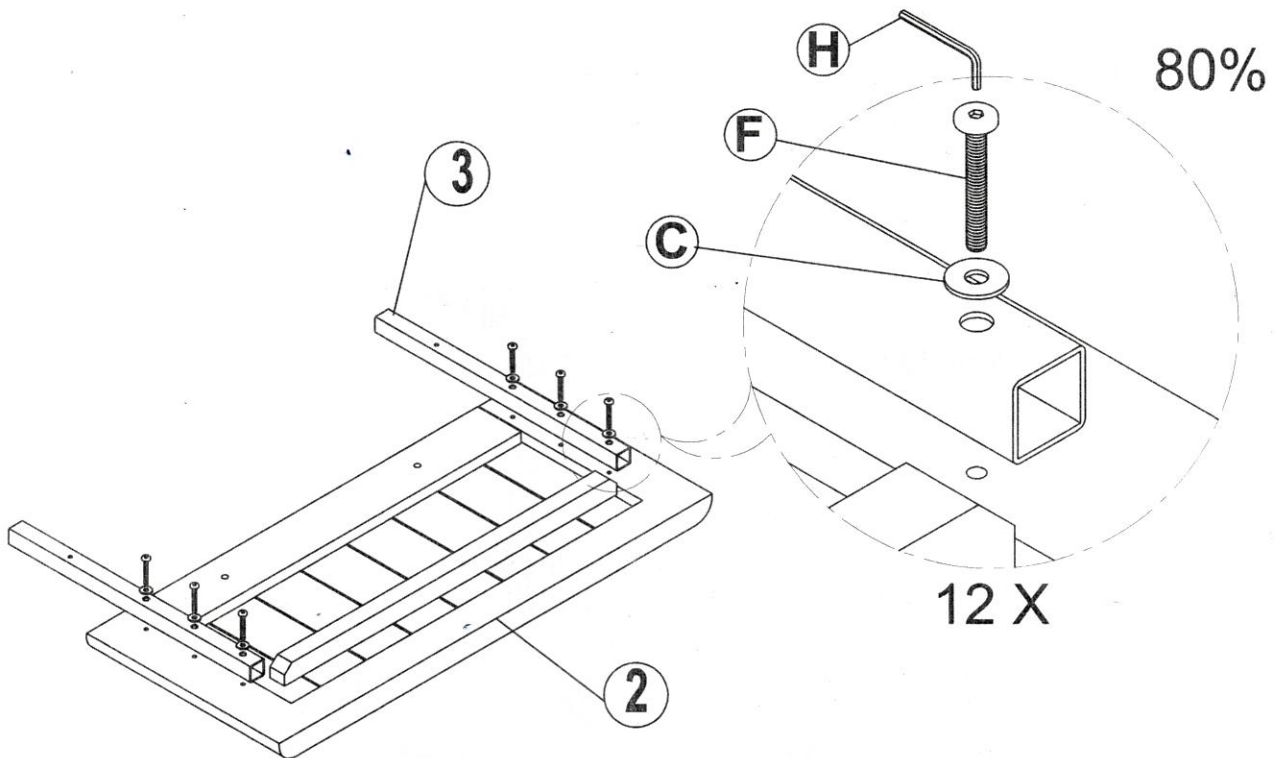


**Step 2**

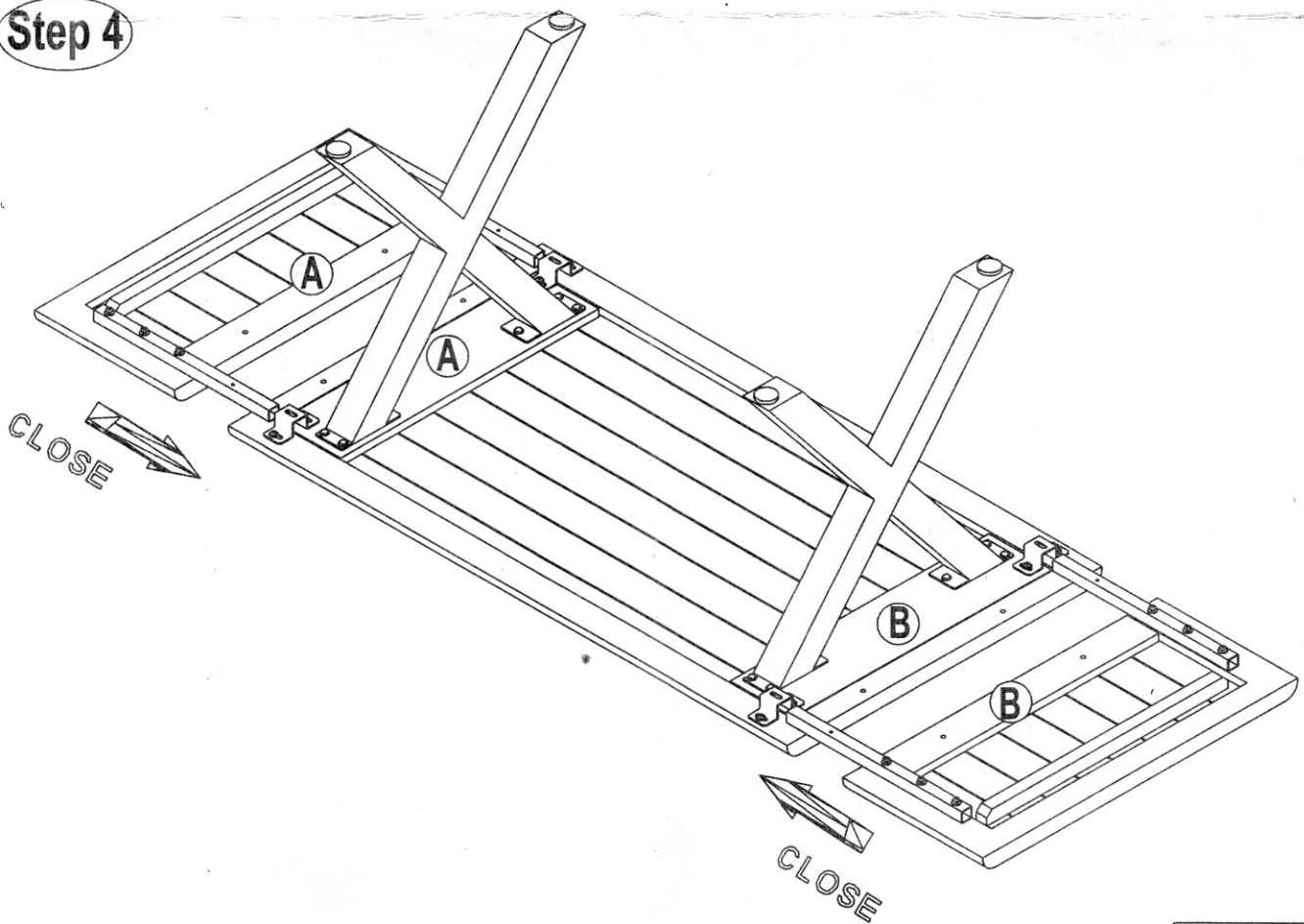


**Step 3**

ASSEMBLY INSTRUCTIONS

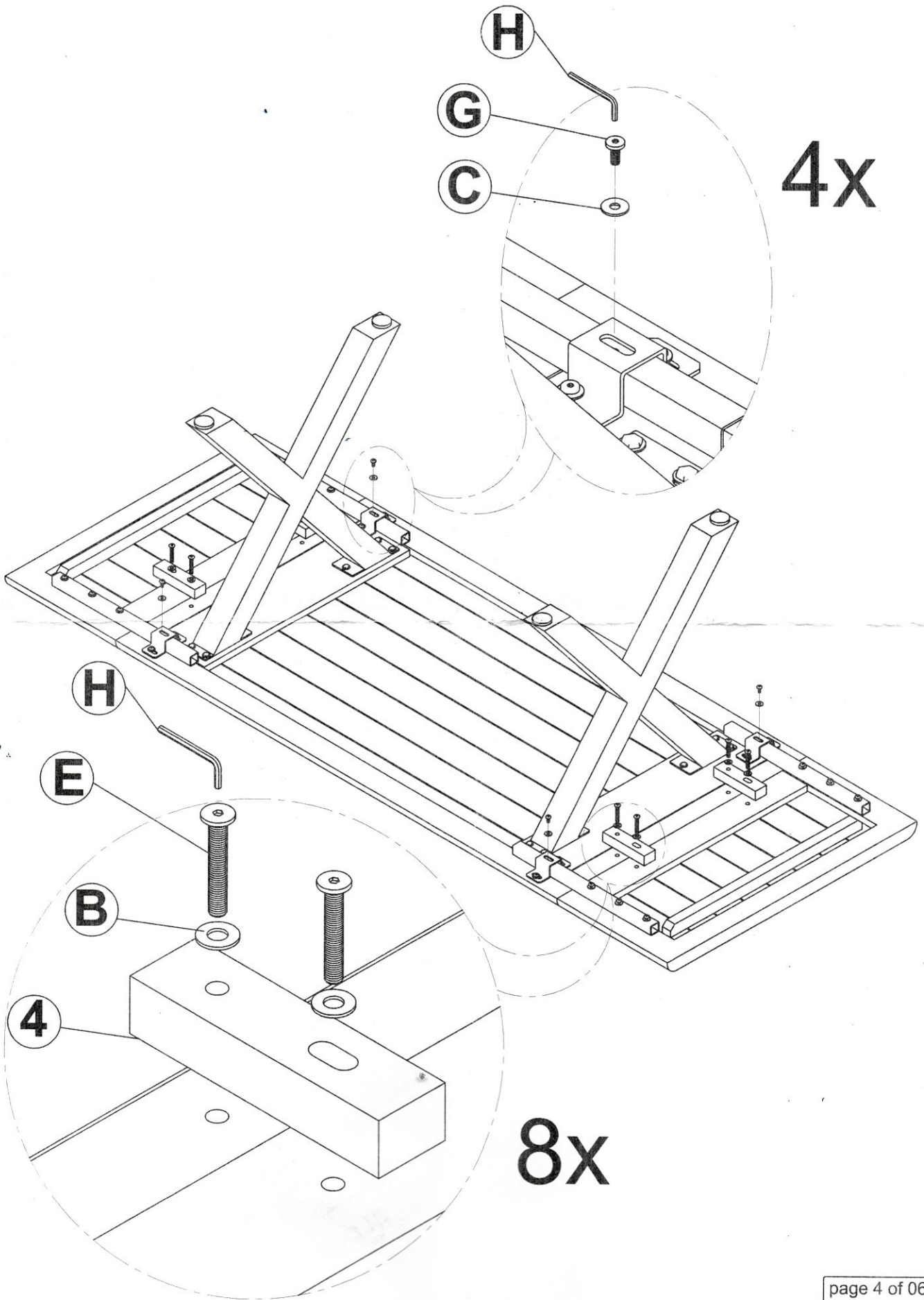


**Step 4**



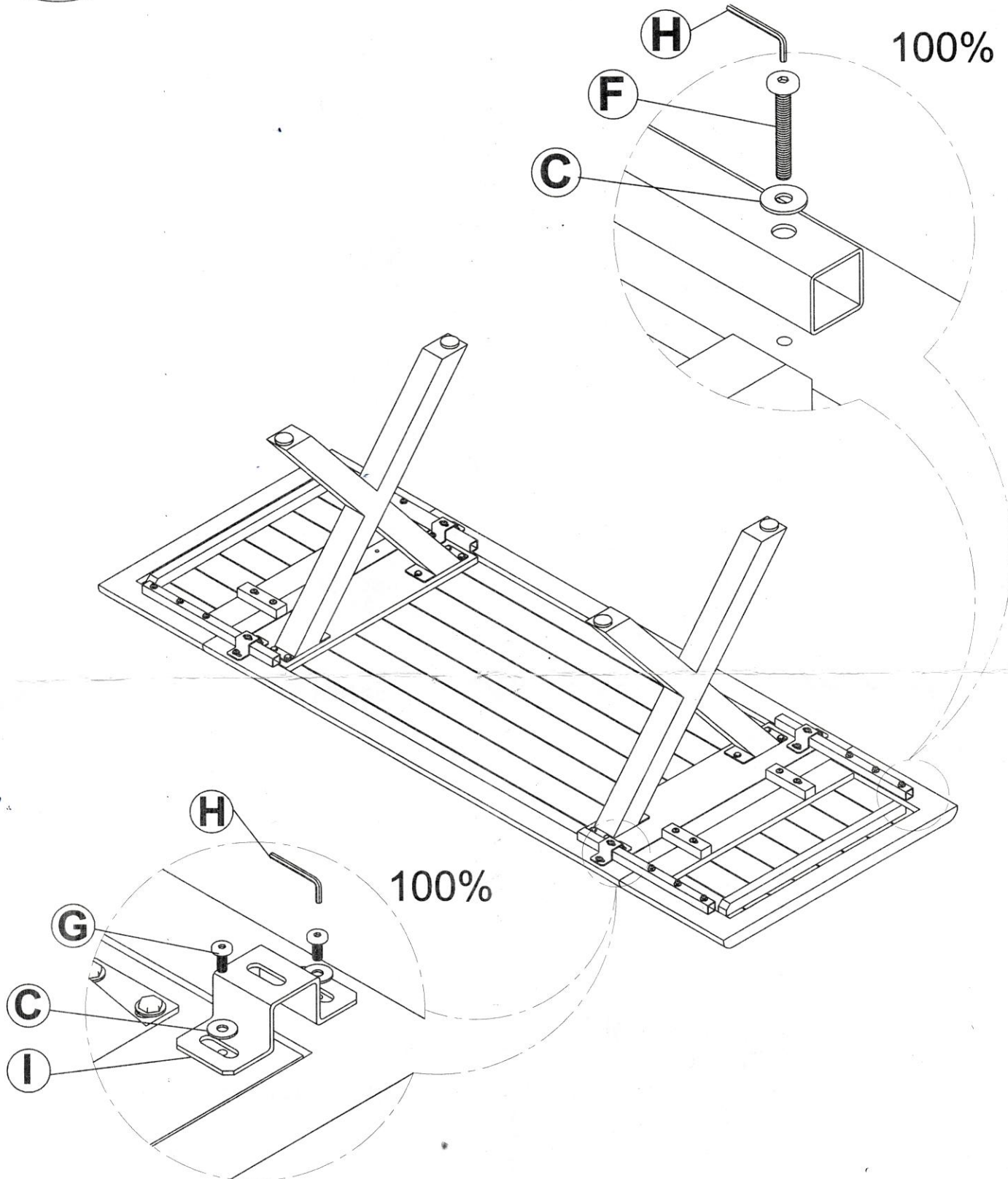
**Step 5**

**ASSEMBLY INSTRUCTIONS**



**Step 6**

**ASSEMBLY INSTRUCTIONS**



ASSEMBLY INSTRUCTIONS

Step 7

