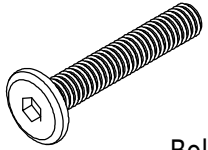


ASSEMBLY INSTRUCTIONS-09540021/01

HARDWARE LIST

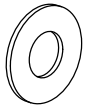
1



x 44

Bolt (M6 x 45)

2



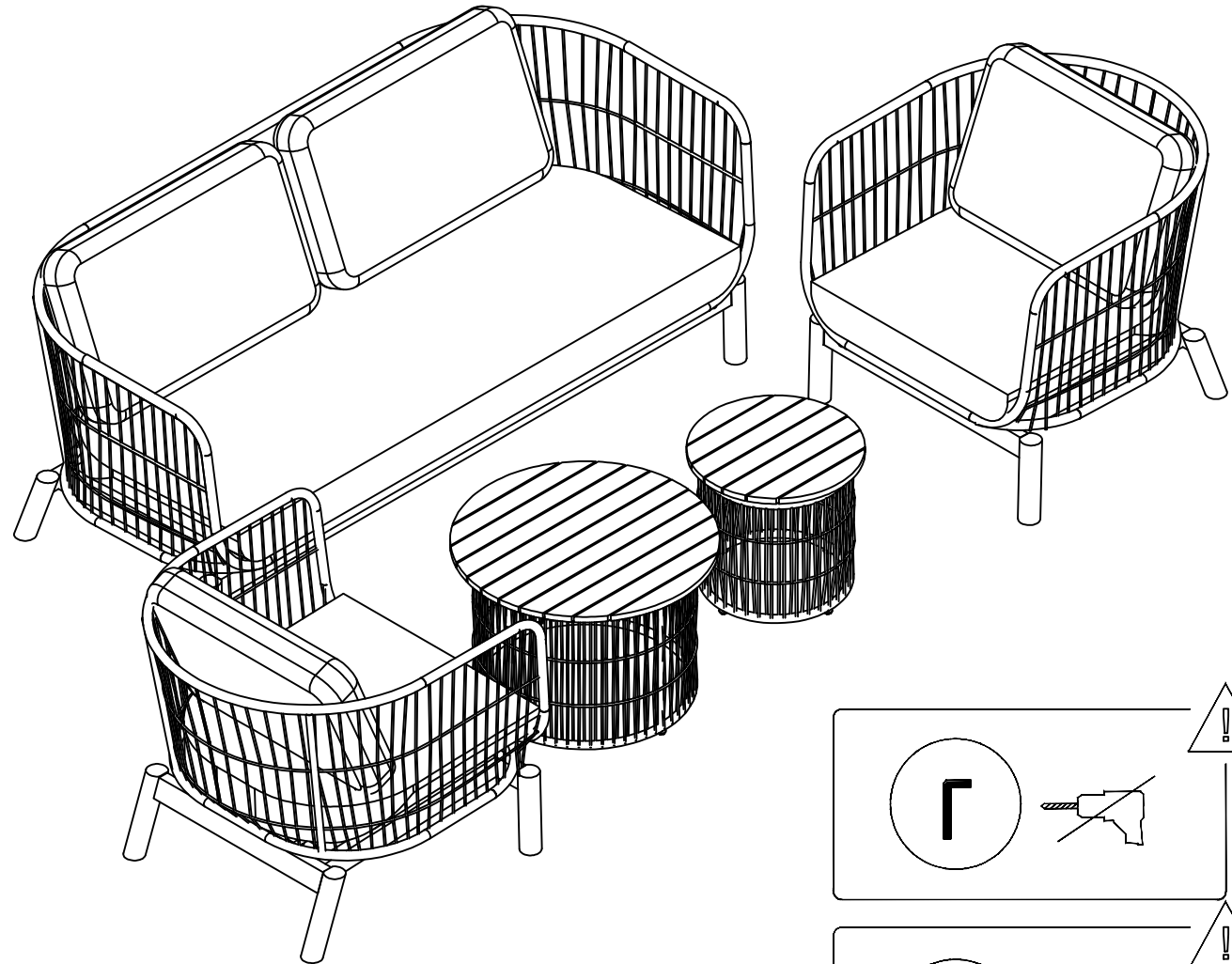
x 44

3



x 2

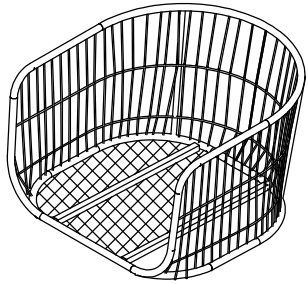
Allen key



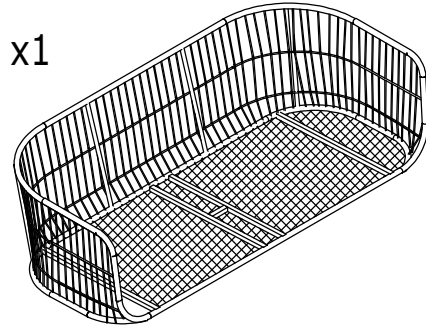
			50'
			2

PART LIST

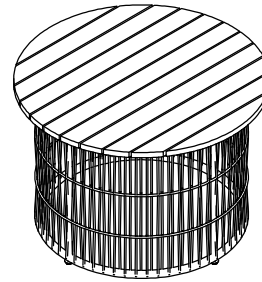
A x2



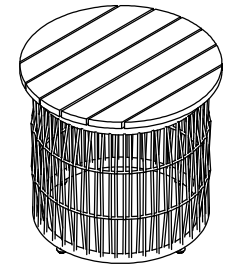
B x1



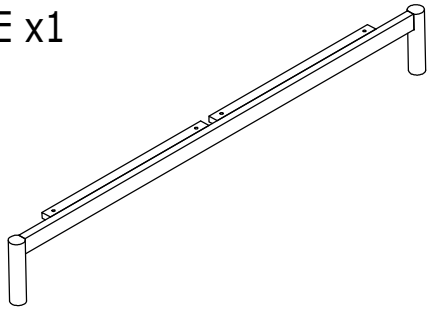
C x1



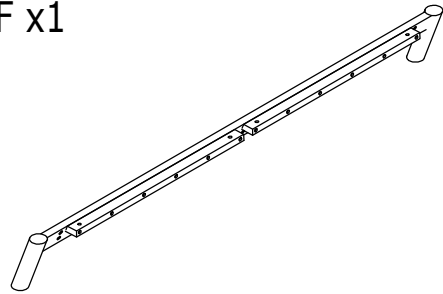
D x1



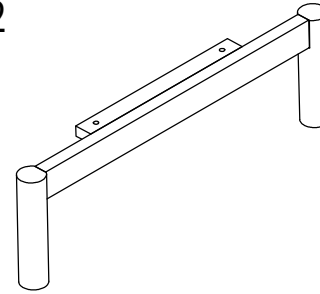
E x1



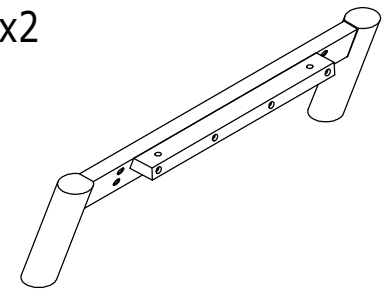
F x1



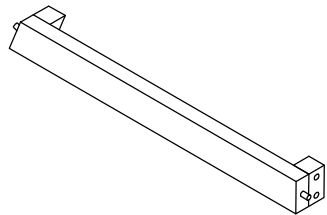
G x2



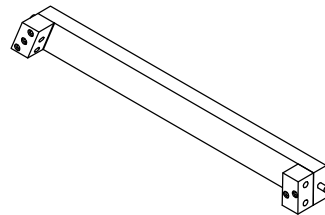
H x2



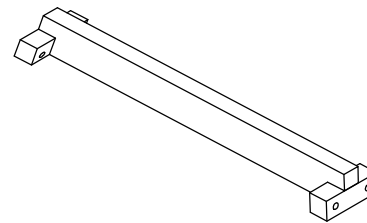
J x3



K x3



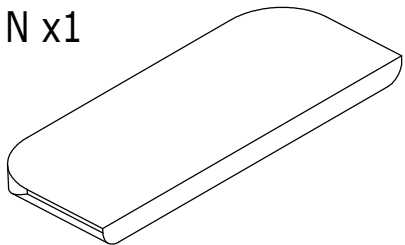
L x1



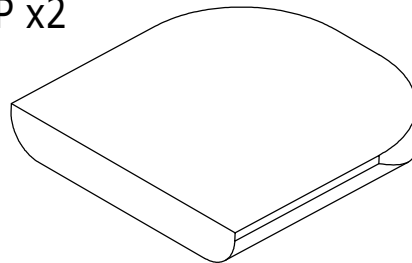
M x1



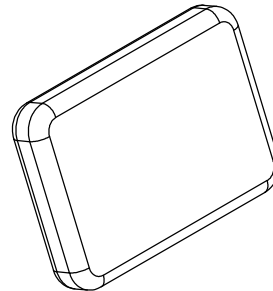
N x1



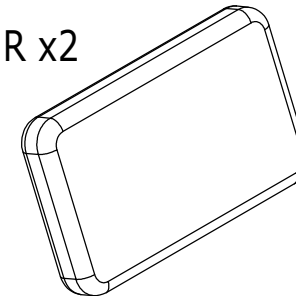
P x2



Qx2

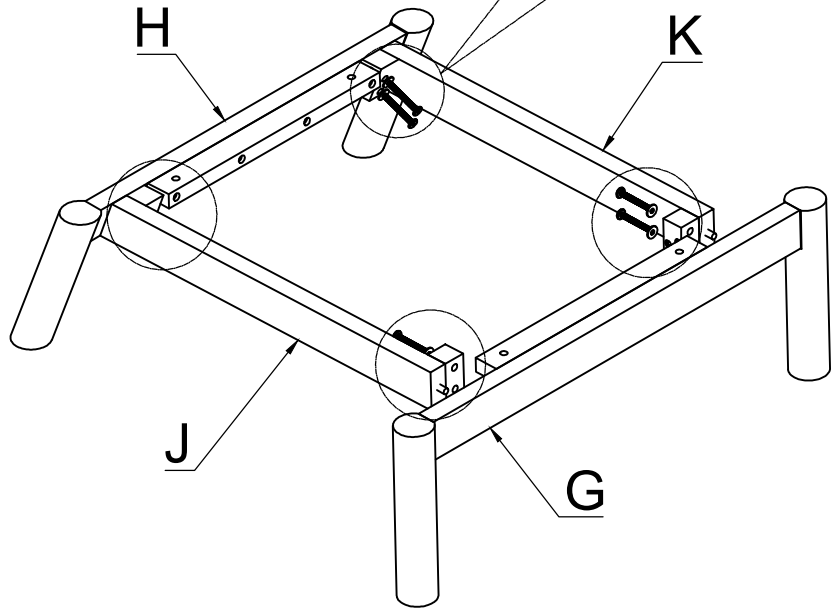
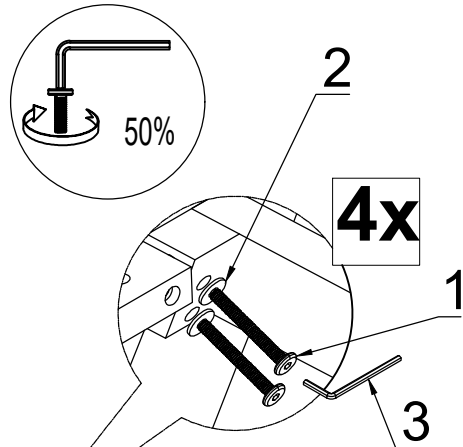
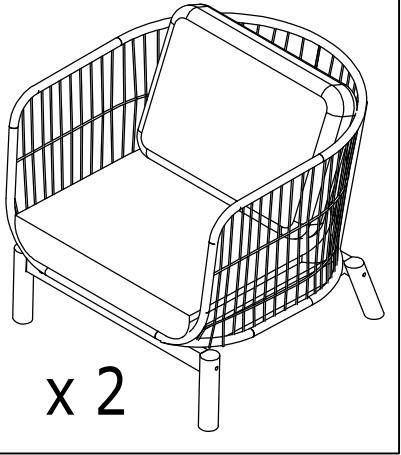


R x2



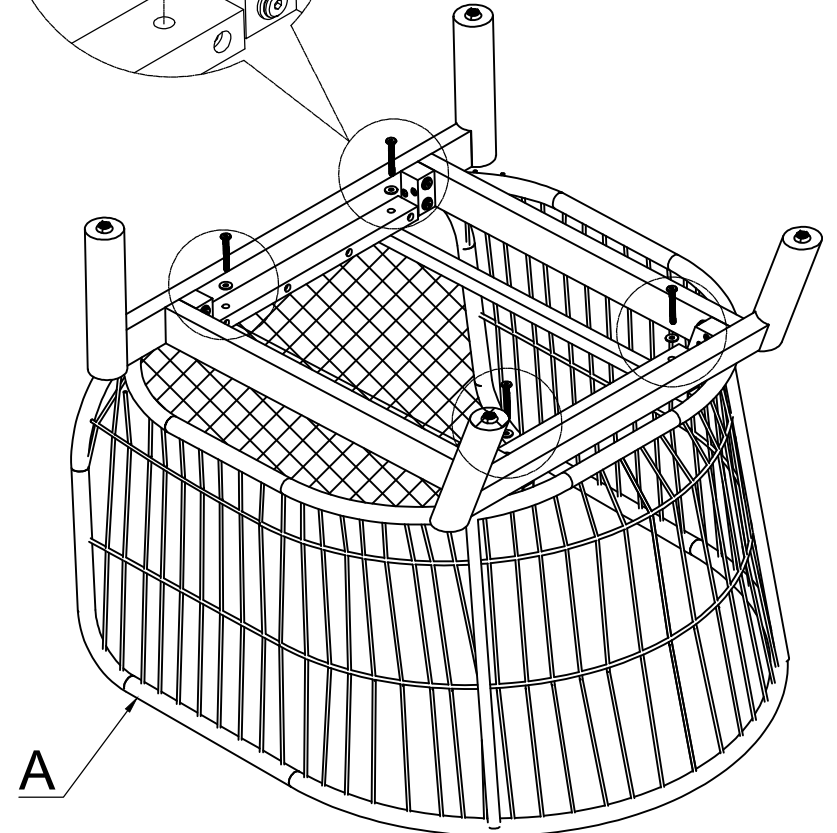
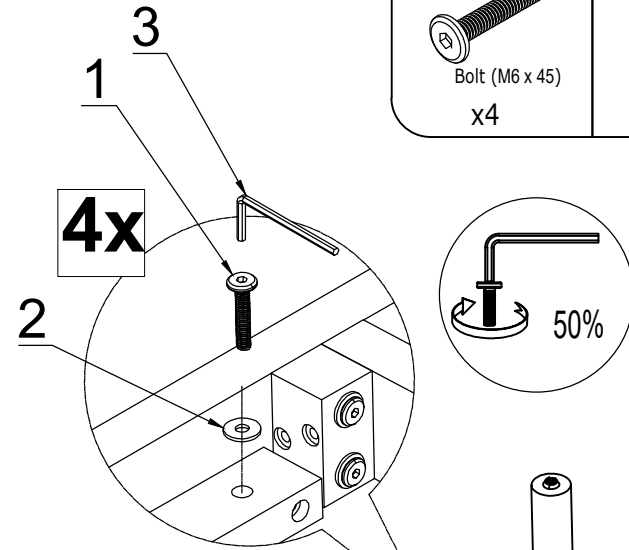
STEP 1

 1 Bolt (M6 x 45) x8	 2 x8	 3 x1
-------------------------------	-------------	-------------

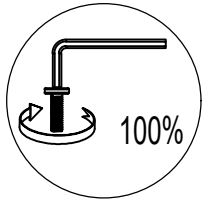


STEP 2

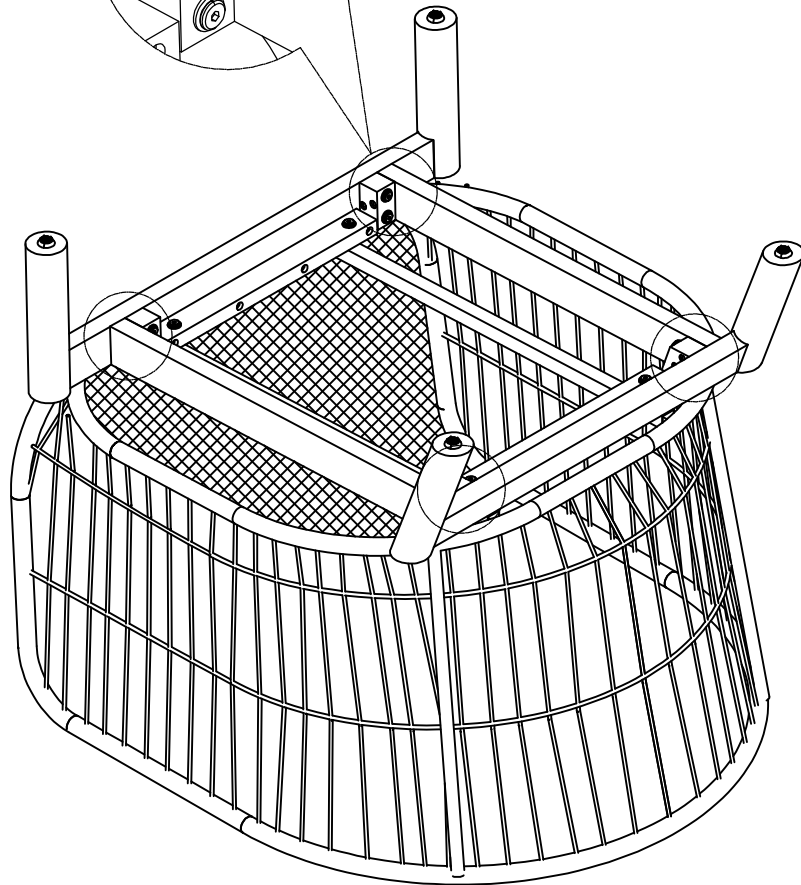
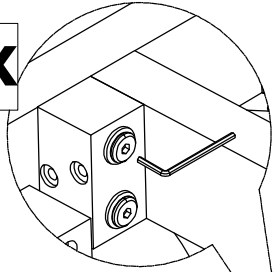
 1 Bolt (M6 x 45) x4	 2 x4	 3 x1
-------------------------------	-------------	-------------



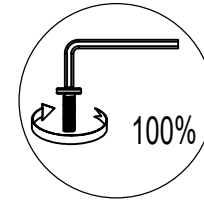
STEP 3



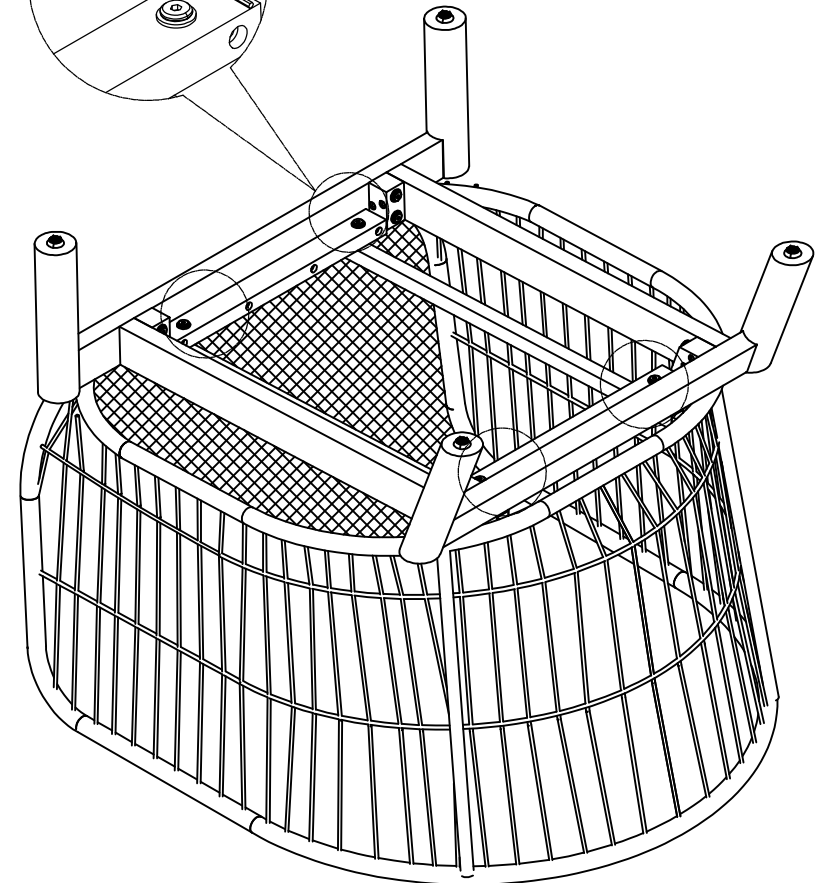
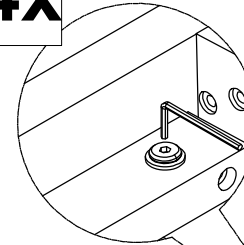
4x



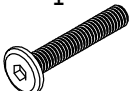

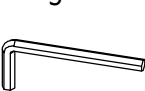
STEP 4

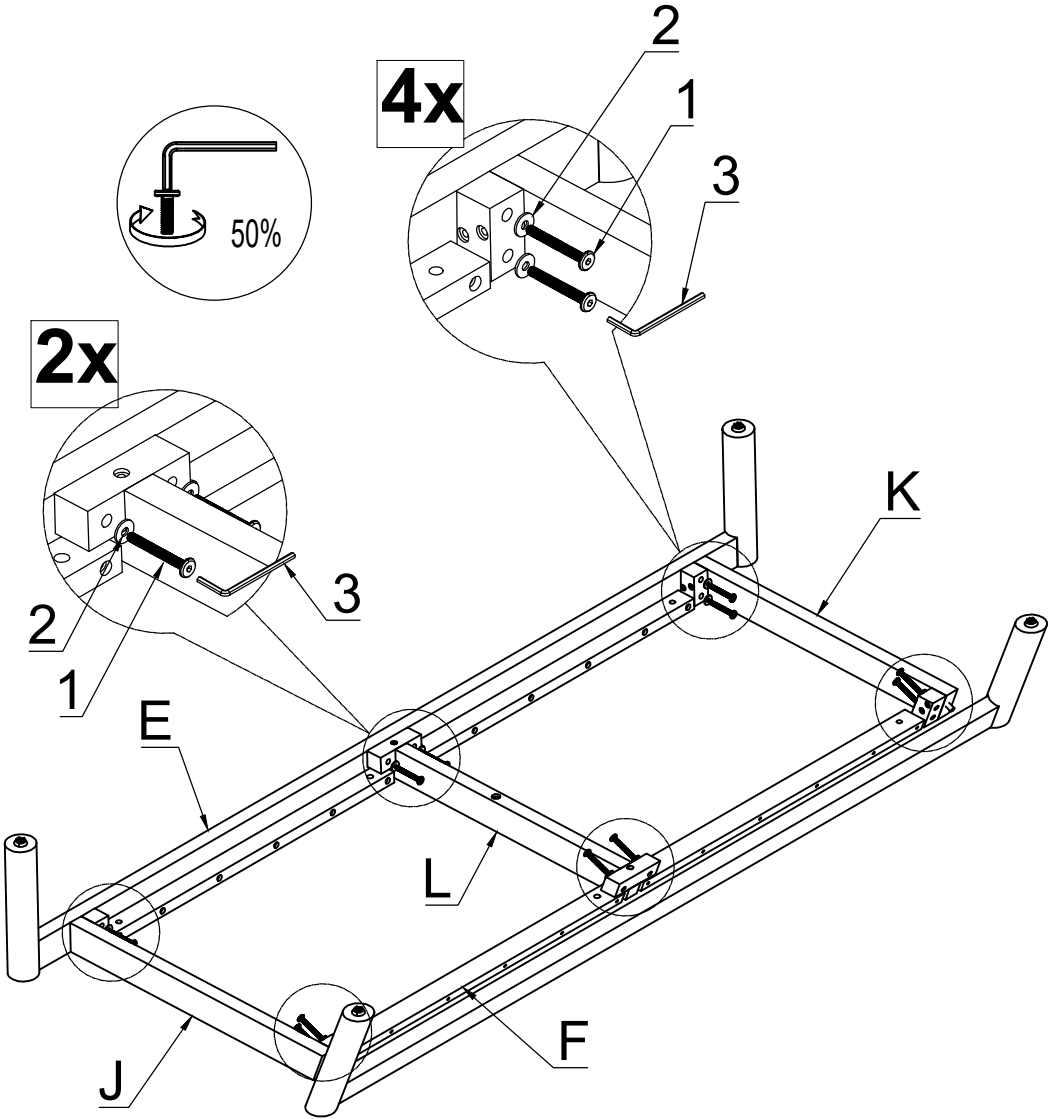


4x

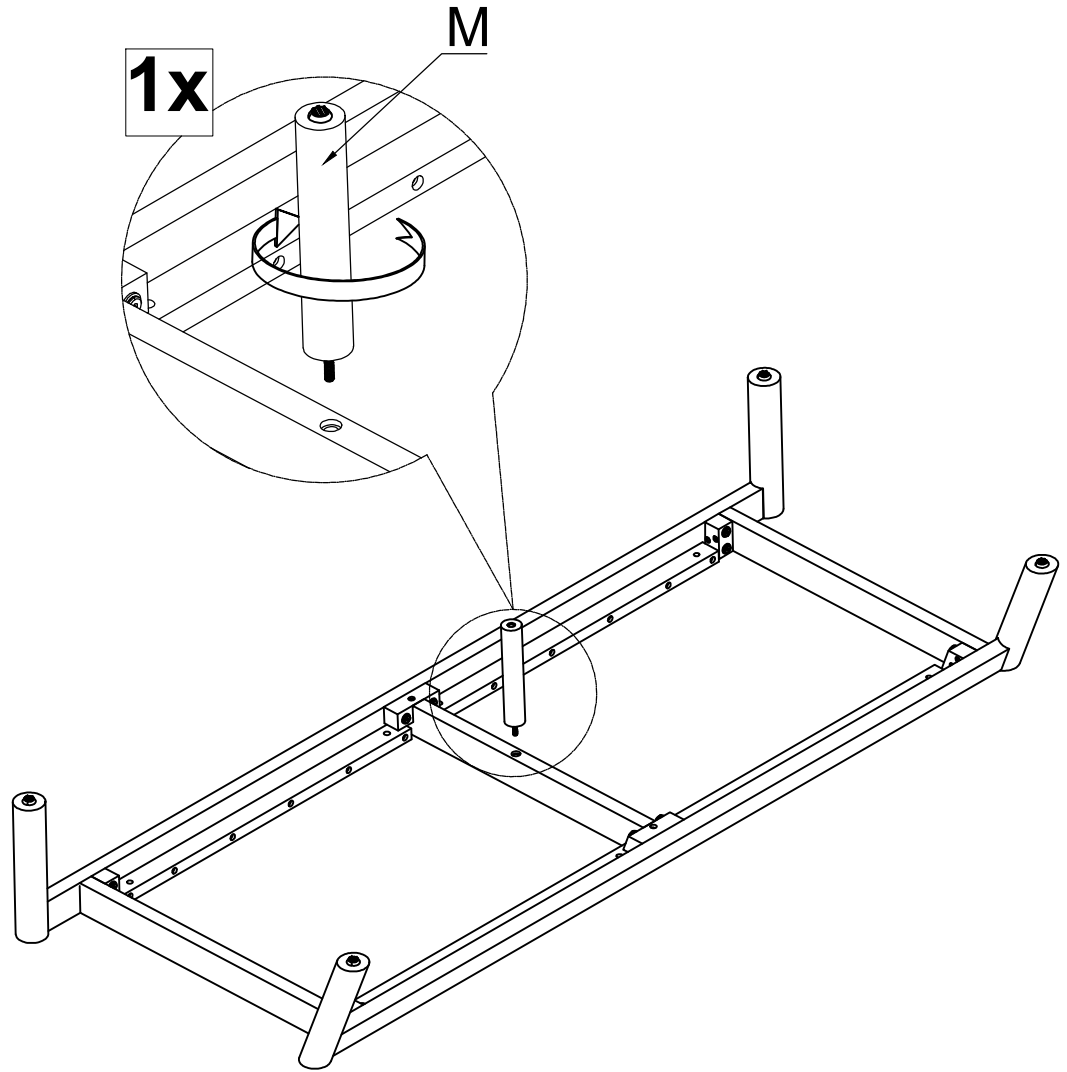


STEP 5

<p>1</p>  <p>Bolt (M6 x 45) x12</p>	<p>2</p>  <p>x12</p>	<p>3</p>  <p>x1</p>
--------------------------------------------------------------------------------------------------------------------------	-------------------------------------------------------------------------------------------------------	-------------------------------------------------------------------------------------------------------

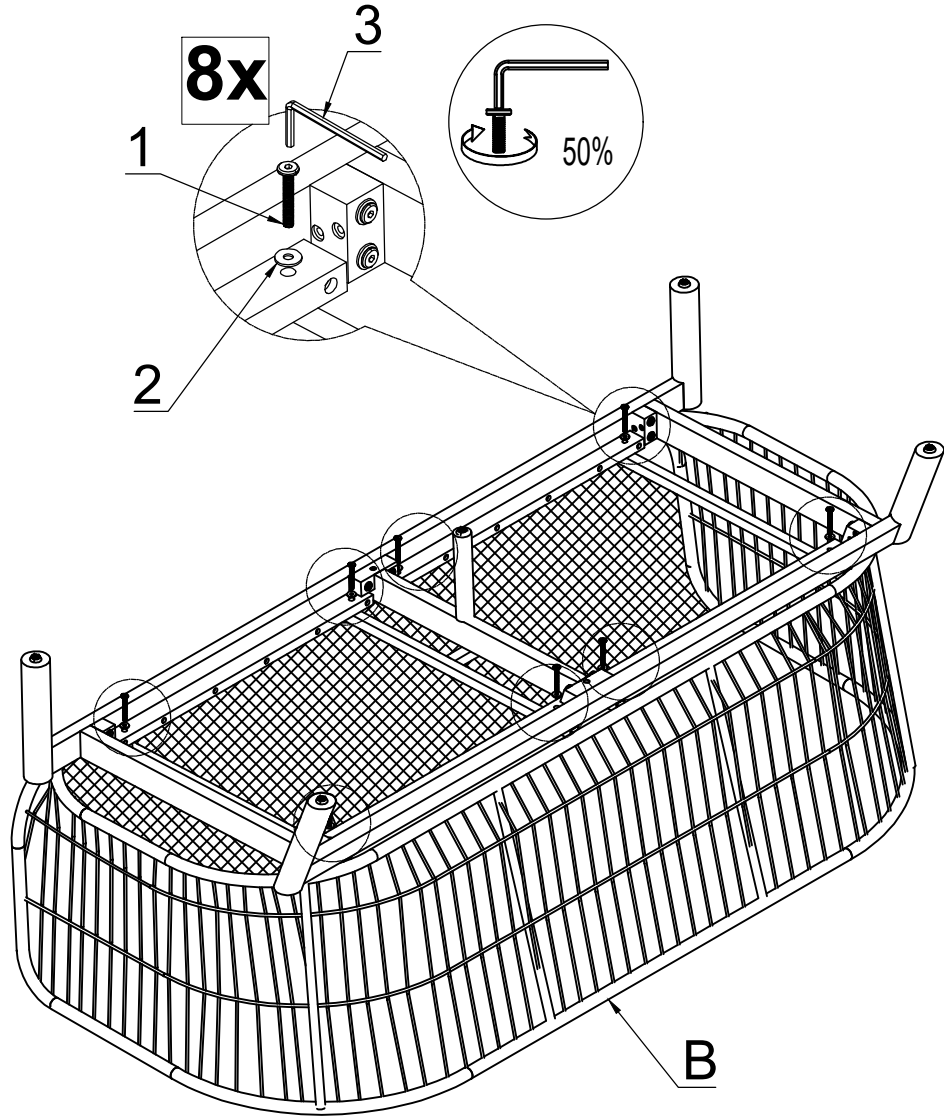


STEP 6

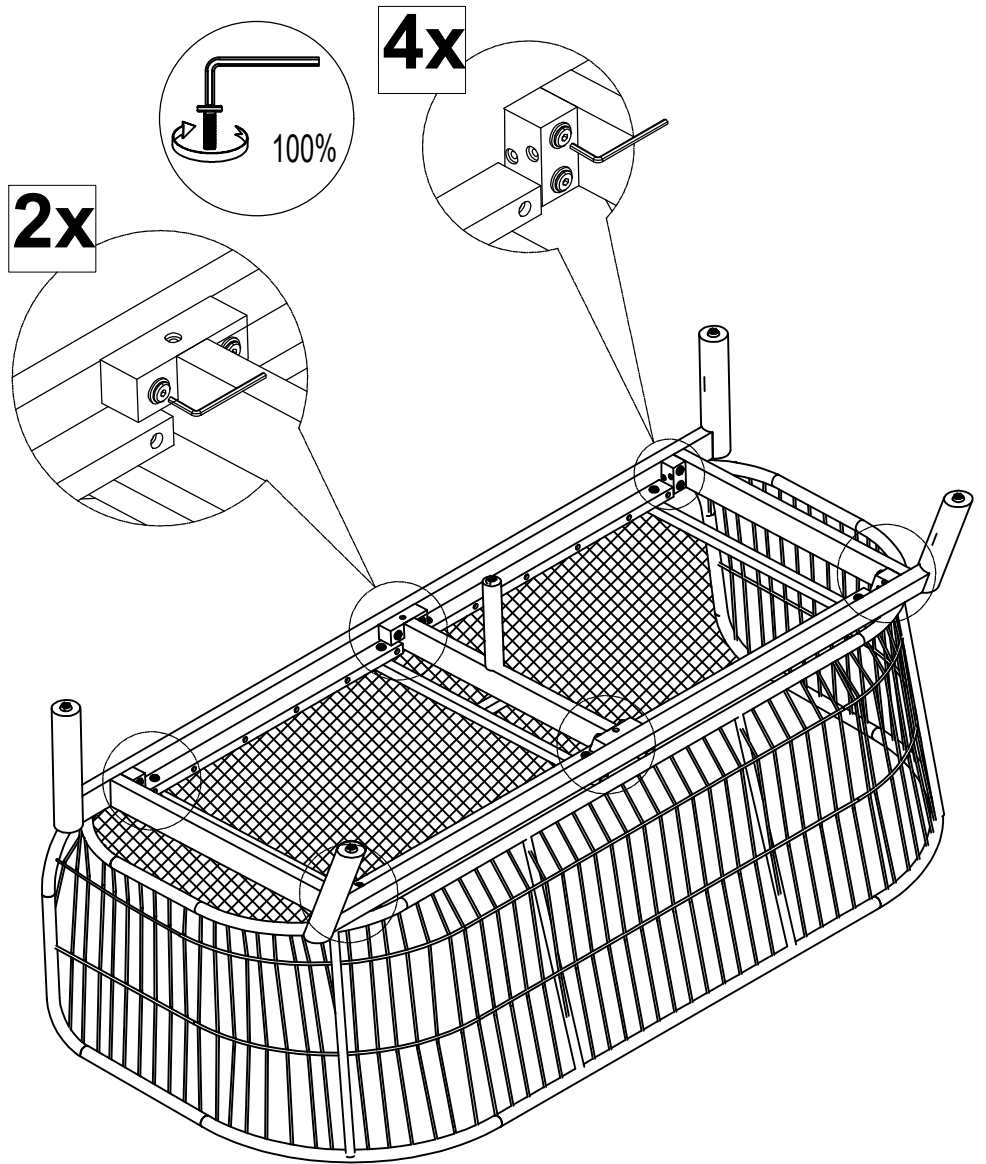


STEP 7

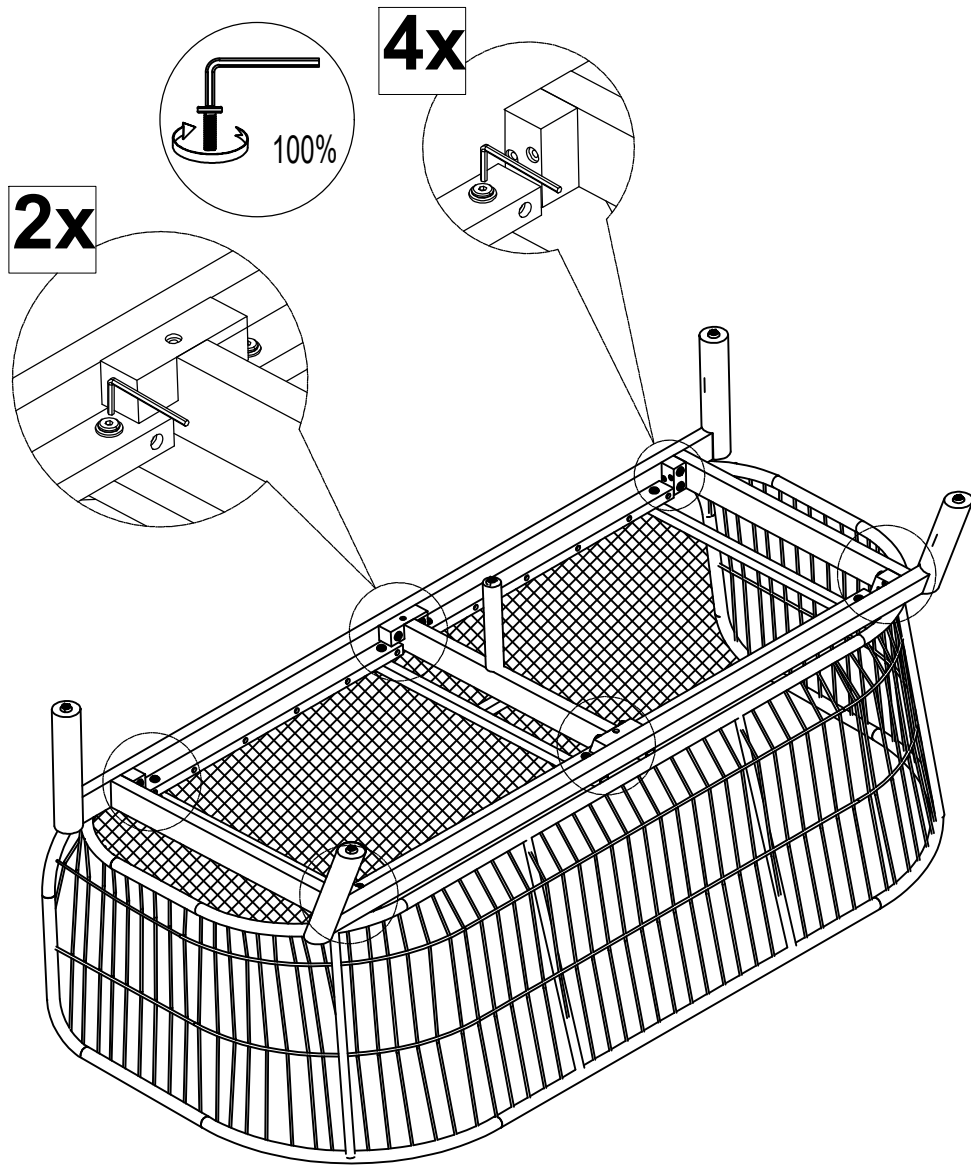
1 Bolt (M6 x 45) x8	2 x8	3 x1
---------------------------	---------	---------



STEP 8



STEP 9



STEP 10

