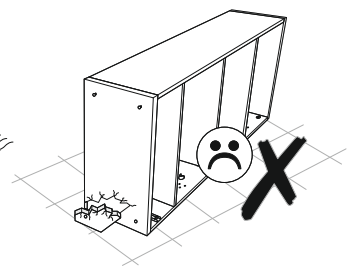
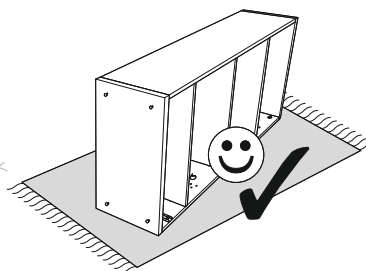
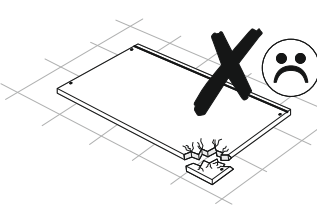
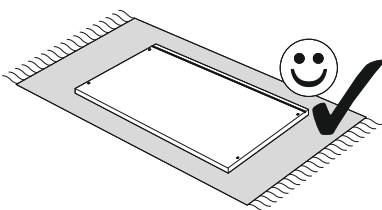
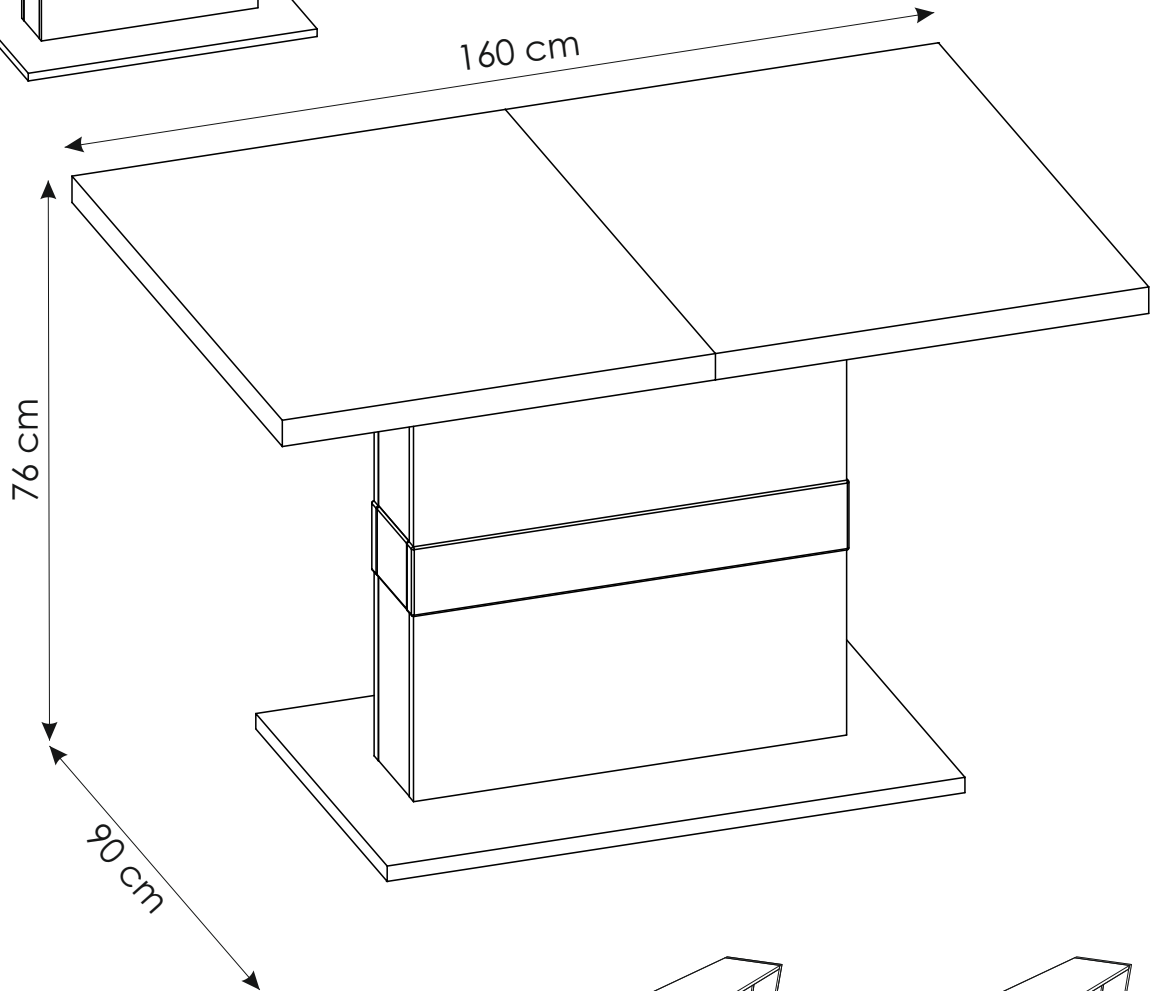
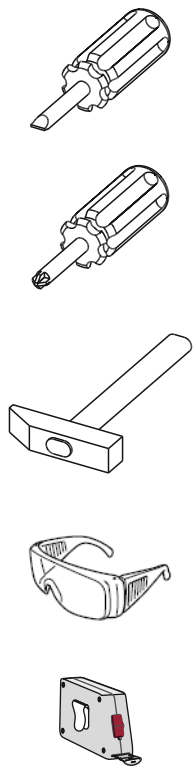
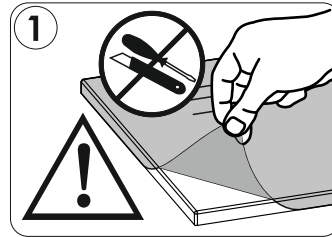
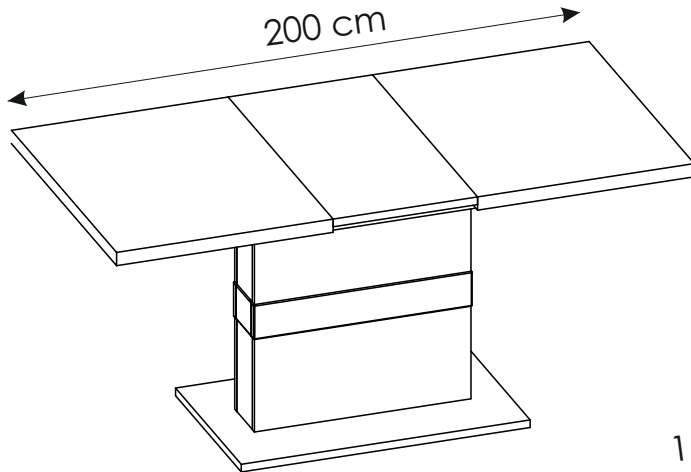


Luca  
**BESSONI**


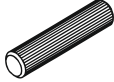

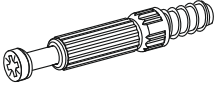
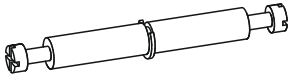
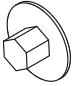





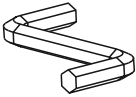

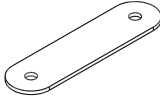
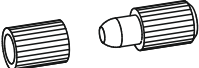
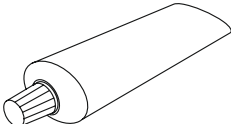
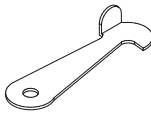
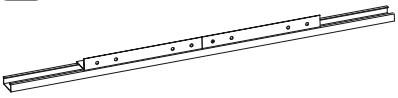
JAMES WOOD  
INTERIOR

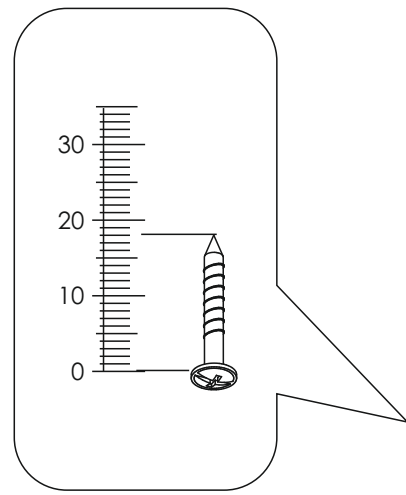
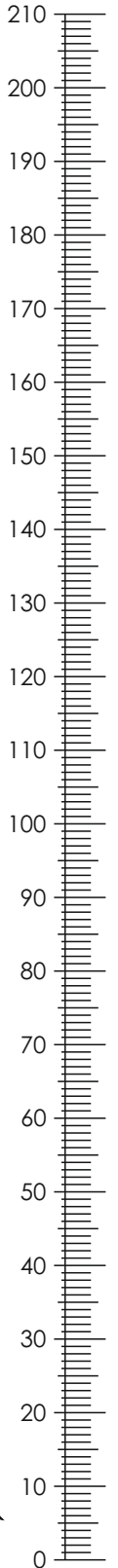
# AVENSIS MDT 10 KASHMIR MDT 10 OAKLAND MDT 10



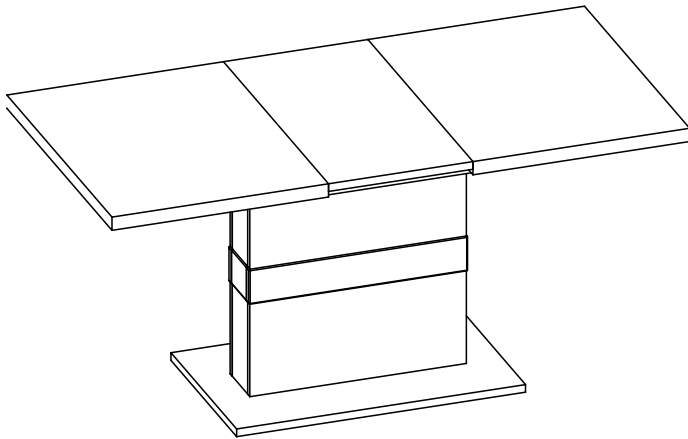


# AVENSIS MDT 10 KASHMIR MDT 10 OAKLAND MDT 10

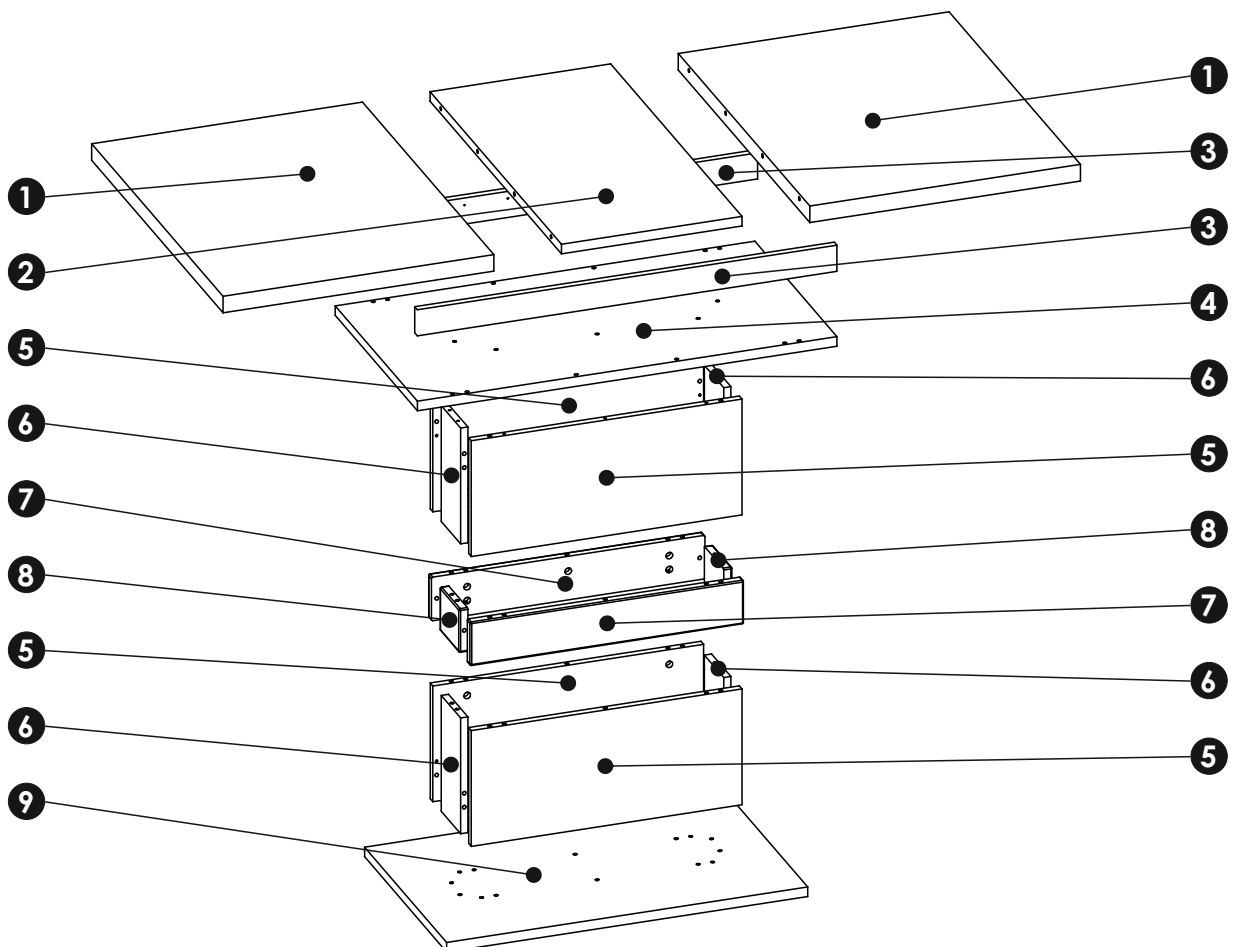
<b>A1</b> 8 x 35 mm x28 	<b>A2</b> 8 x 45 mm x16 	<b>E1</b> 15 x 12 mm x32 
<b>ET</b> Luca BESSONI / JAMES WOOD INTERIOR x1	<b>F1</b> 6 x 34 mm x8 	<b>F3</b> 7 x 58 mm x12 
<b>G0</b> x18 	<b>G1</b> 7 x 50 mm x18 	<b>G2</b> 7 x 60 mm x10 
<b>I1</b> 3,5 x 16 mm x16 	<b>I2</b> 4 x 16 mm x20 	<b>I3</b> 4 x 20 mm x16 
<b>M</b> x1 	<b>O2A</b> ø20 x10 	<b>Q2</b> x8 
<b>R8</b> x8 	<b>S</b> x1 	<b>S19</b> x4 
<b>T10</b> x2 		

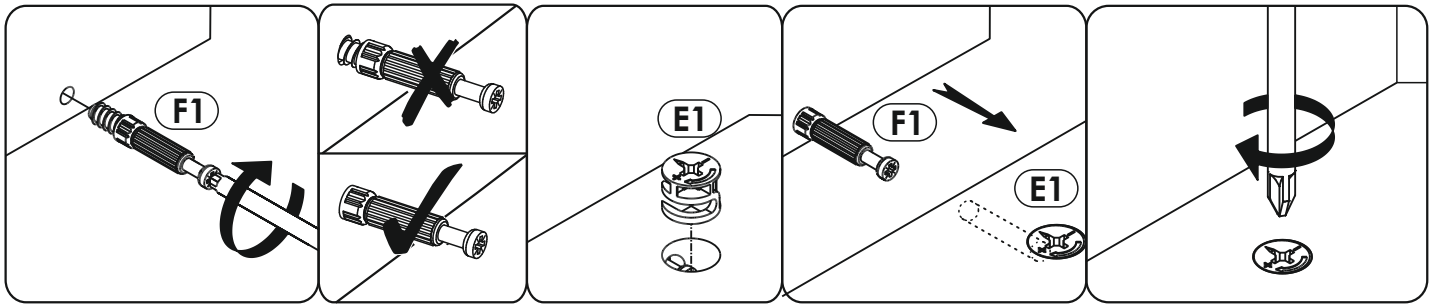


# AVENSIS MDT 10 KASHMIR MDT 10 OAKLAND MDT 10

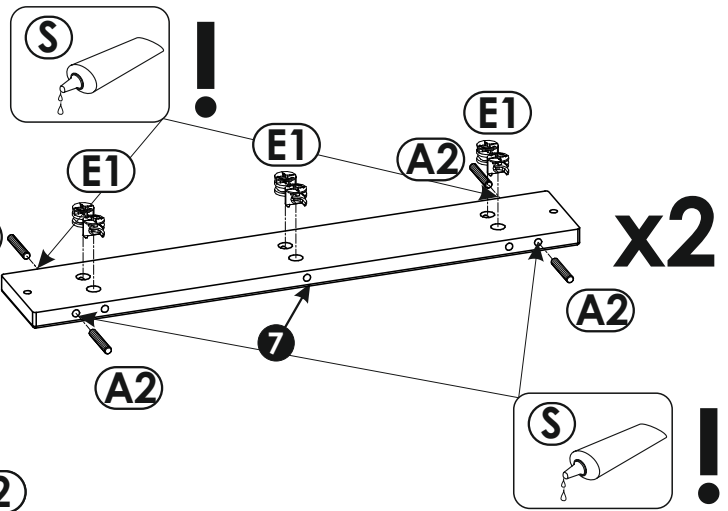
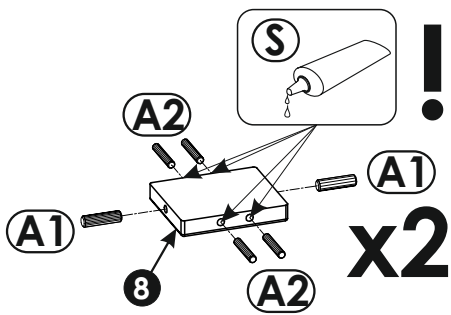
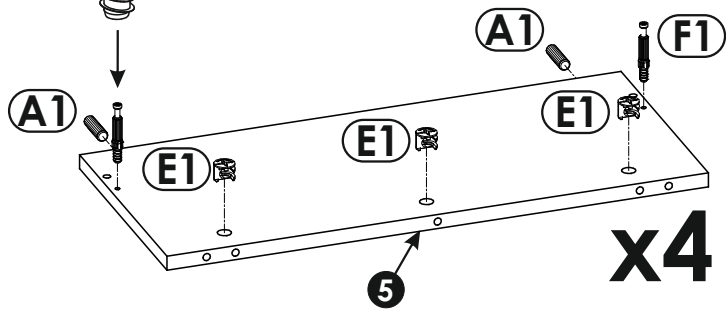
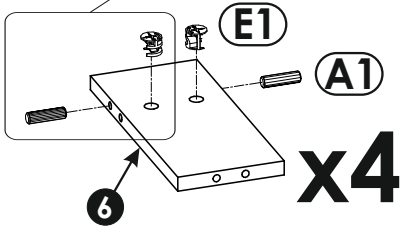
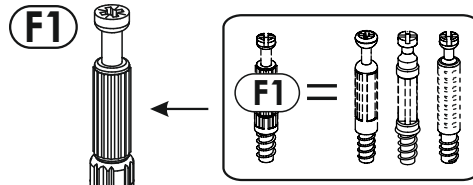
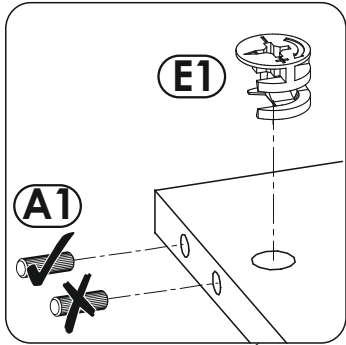


<b>1</b>	900	800	38	x2	1/2
<b>2</b>	900	400	22	x1	1/2
<b>3</b>	1280	60	16	x2	2/2
<b>4</b>	1280	500	22	x1	2/2
<b>5</b>	700	266	16	x2	2/2
<b>6</b>	148	266	16	x2	2/2
<b>7</b>	700	100	19	x2	1/2
<b>8</b>	148	100	19	x2	1/2
<b>9</b>	900	500	22	x1	2/2

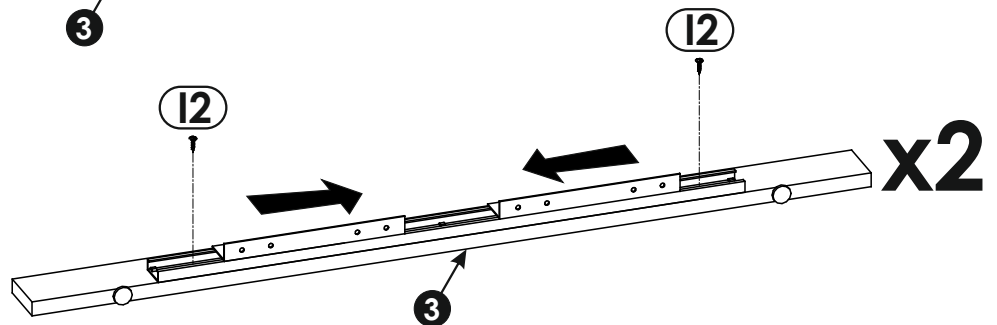
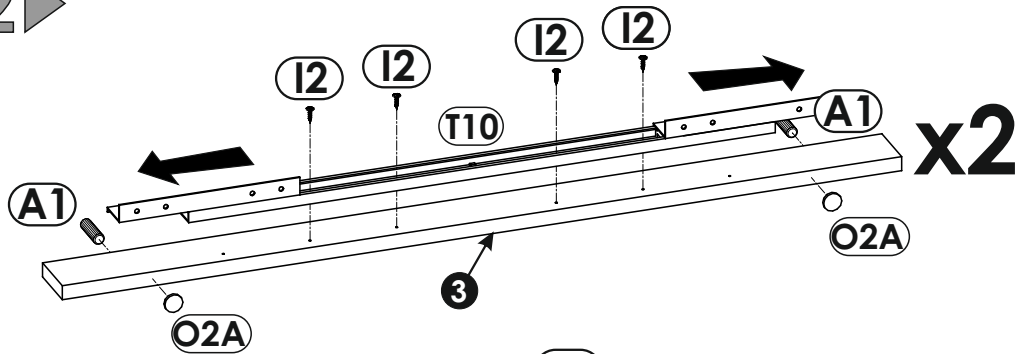




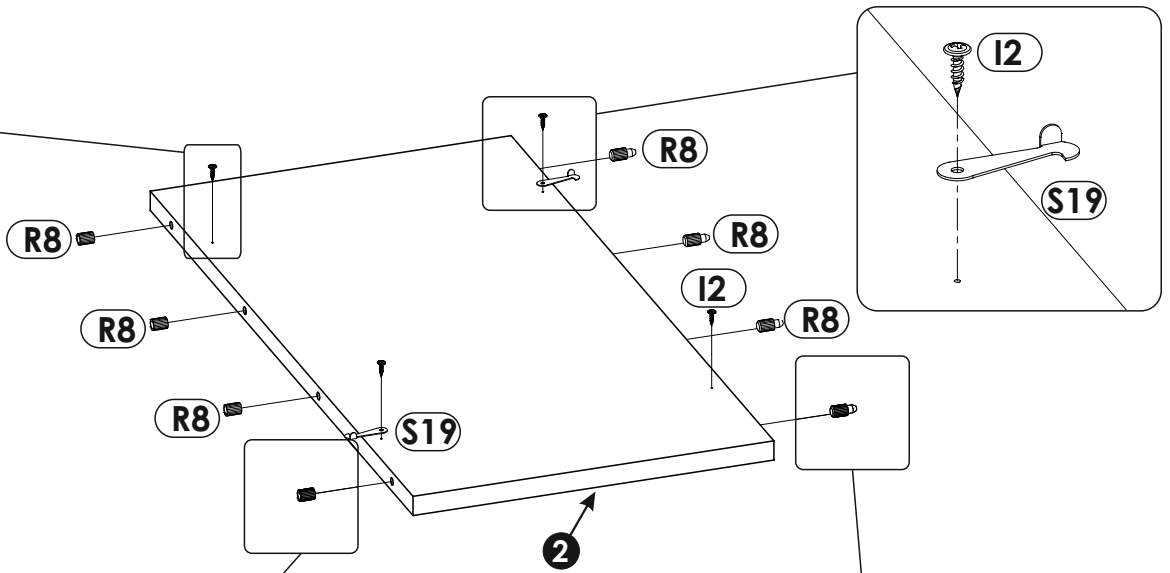
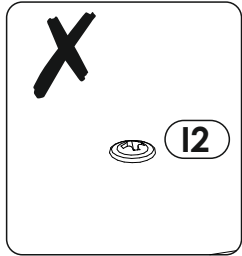
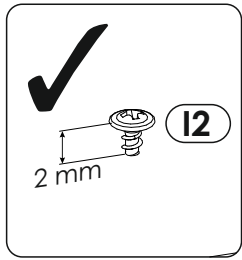
1 ▶



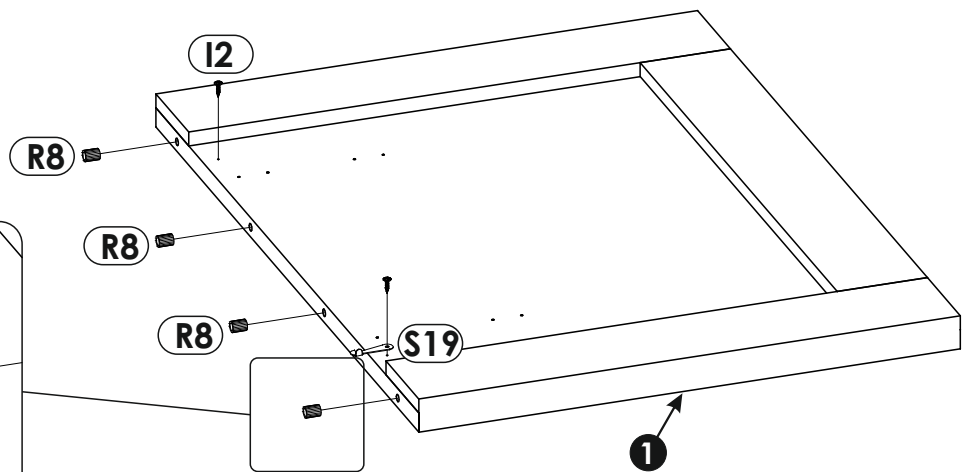
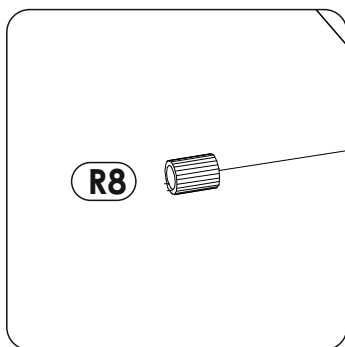
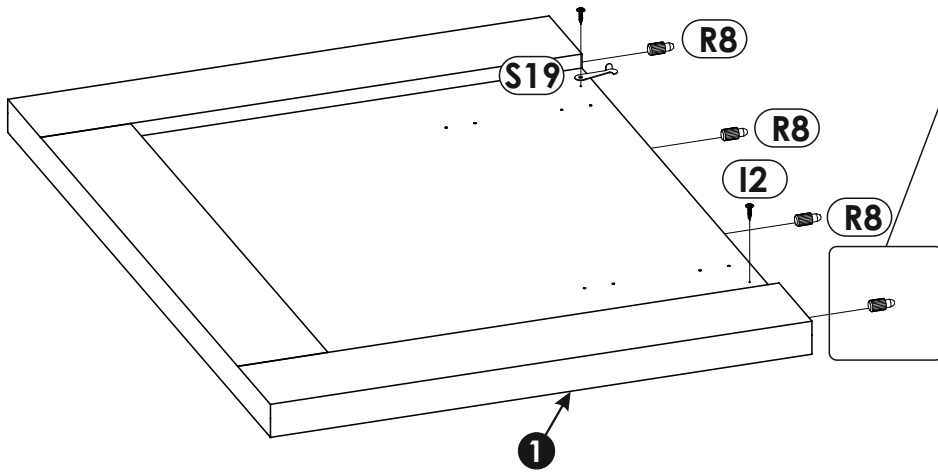
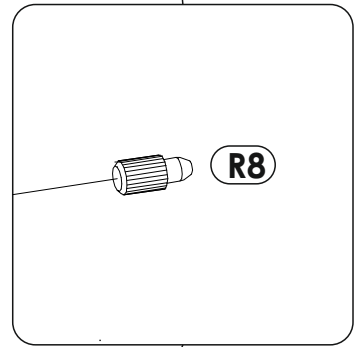
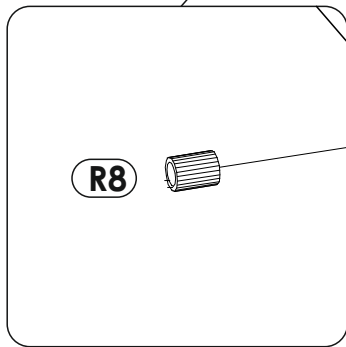
2 ▶



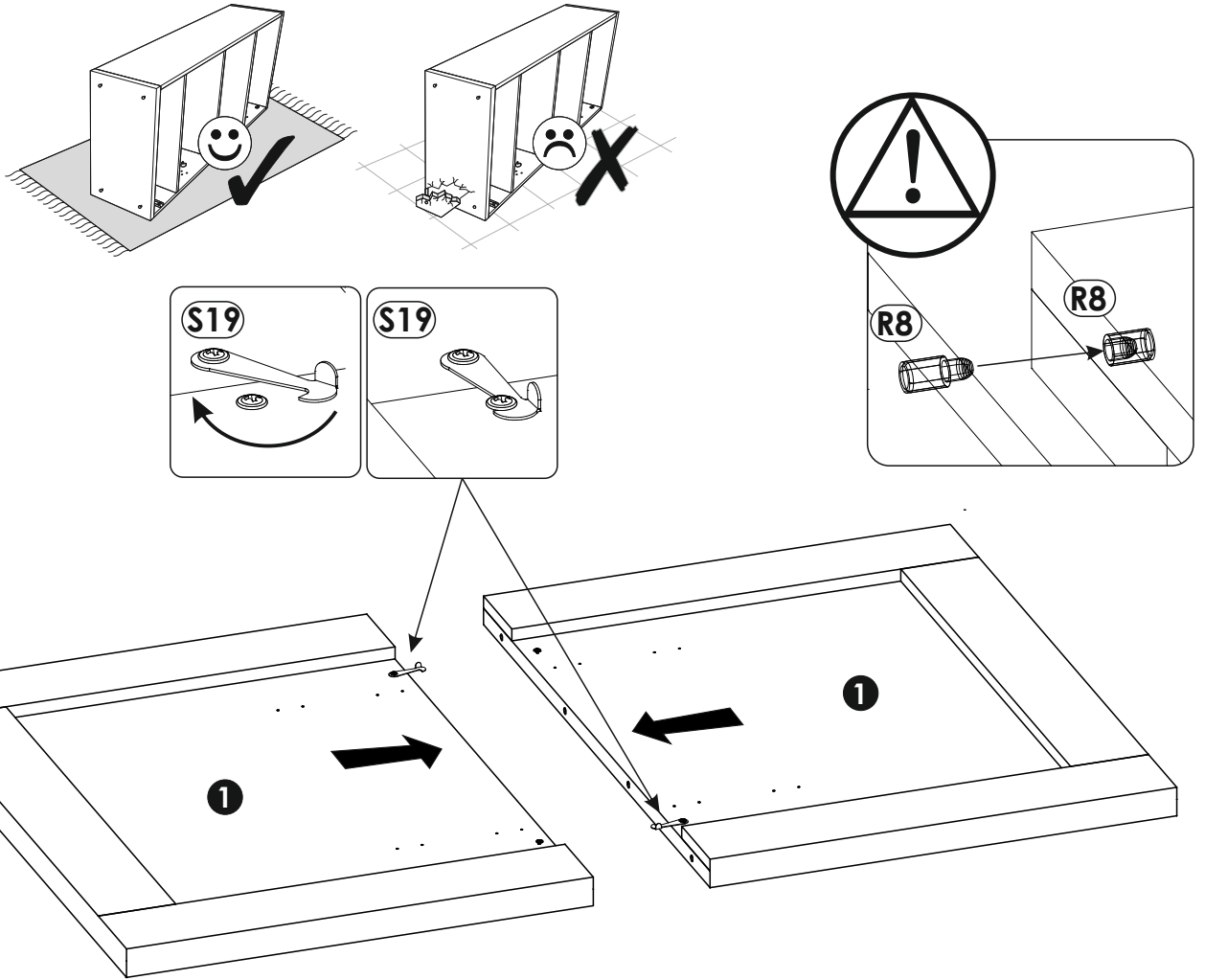
3 ▶



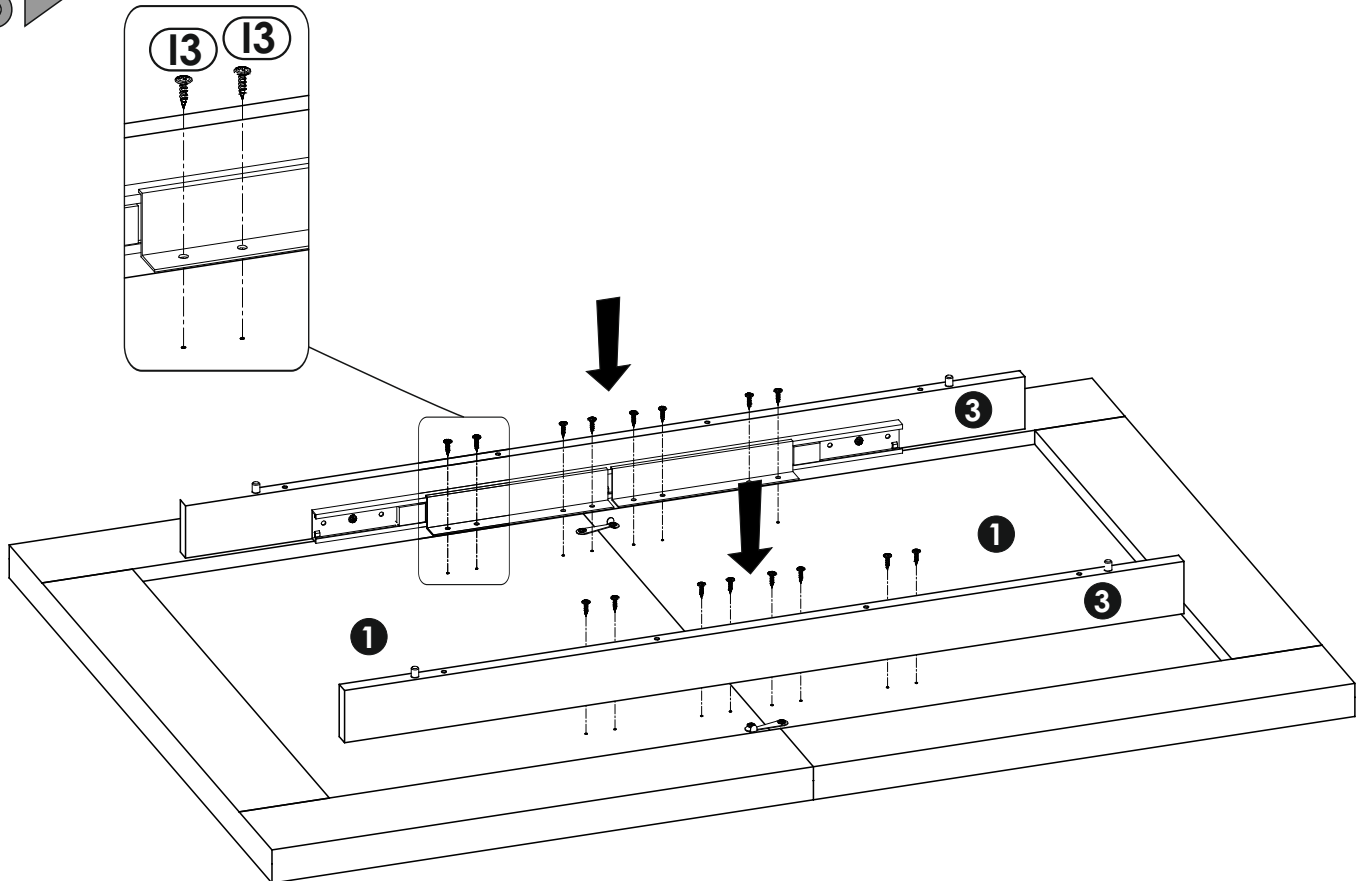
4 ▶



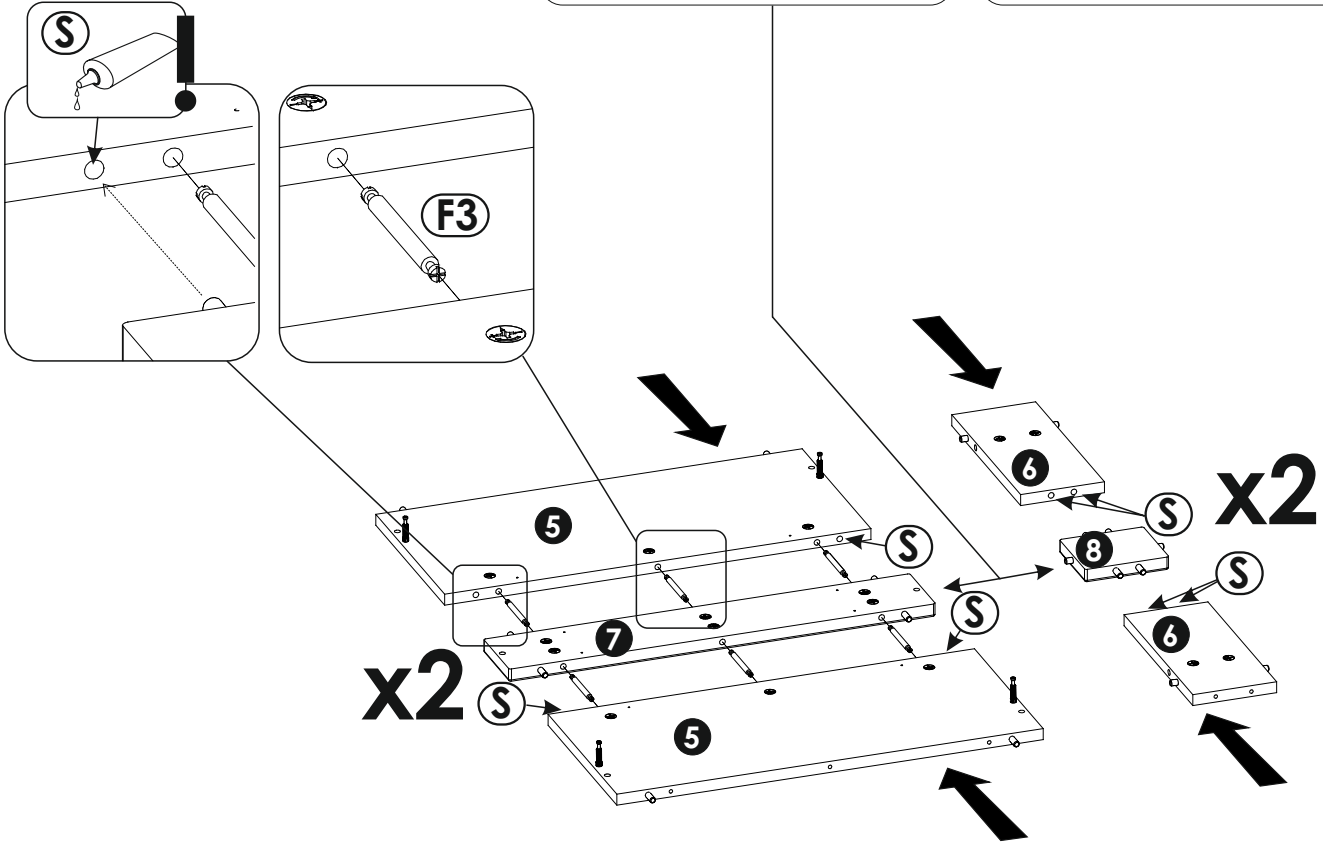
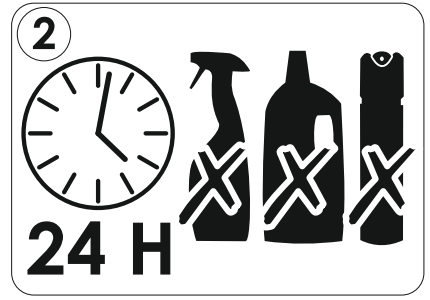
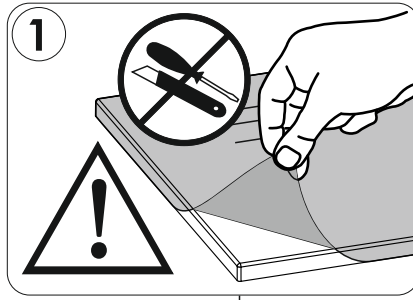
5 ▶



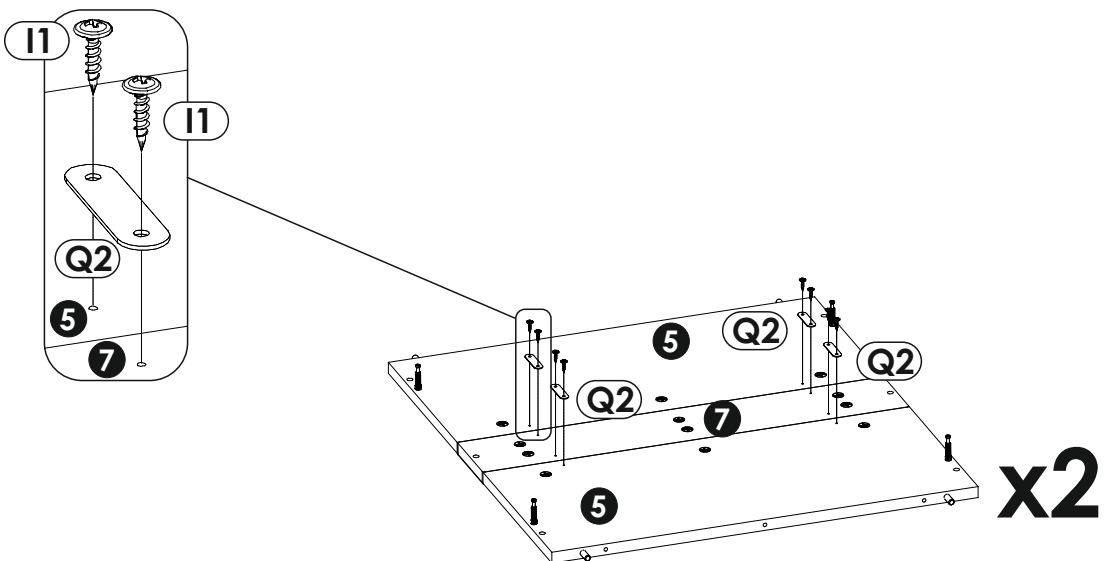
6 ▶



7 ▶

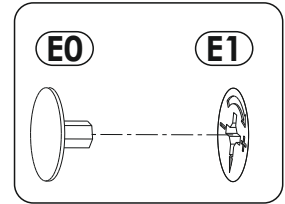
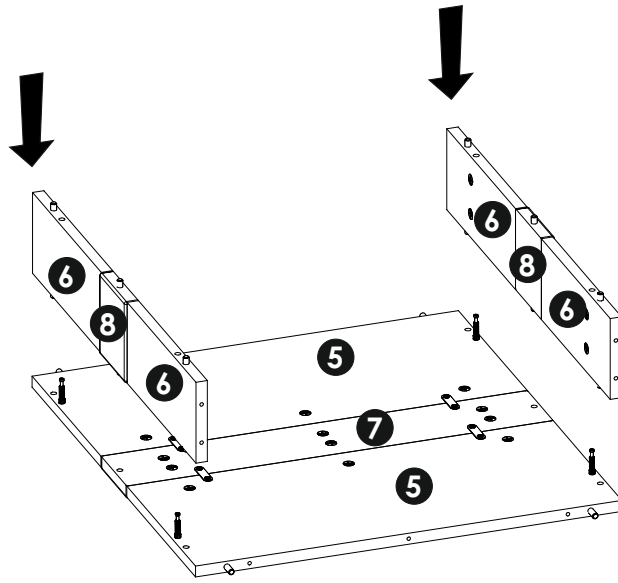


8 ▶

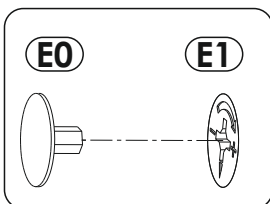
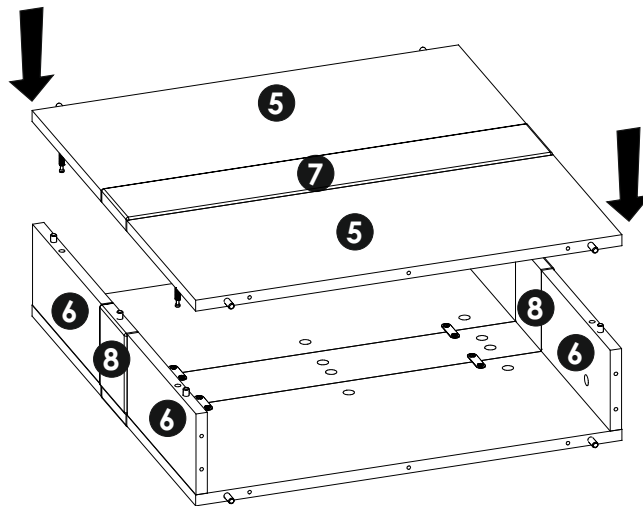


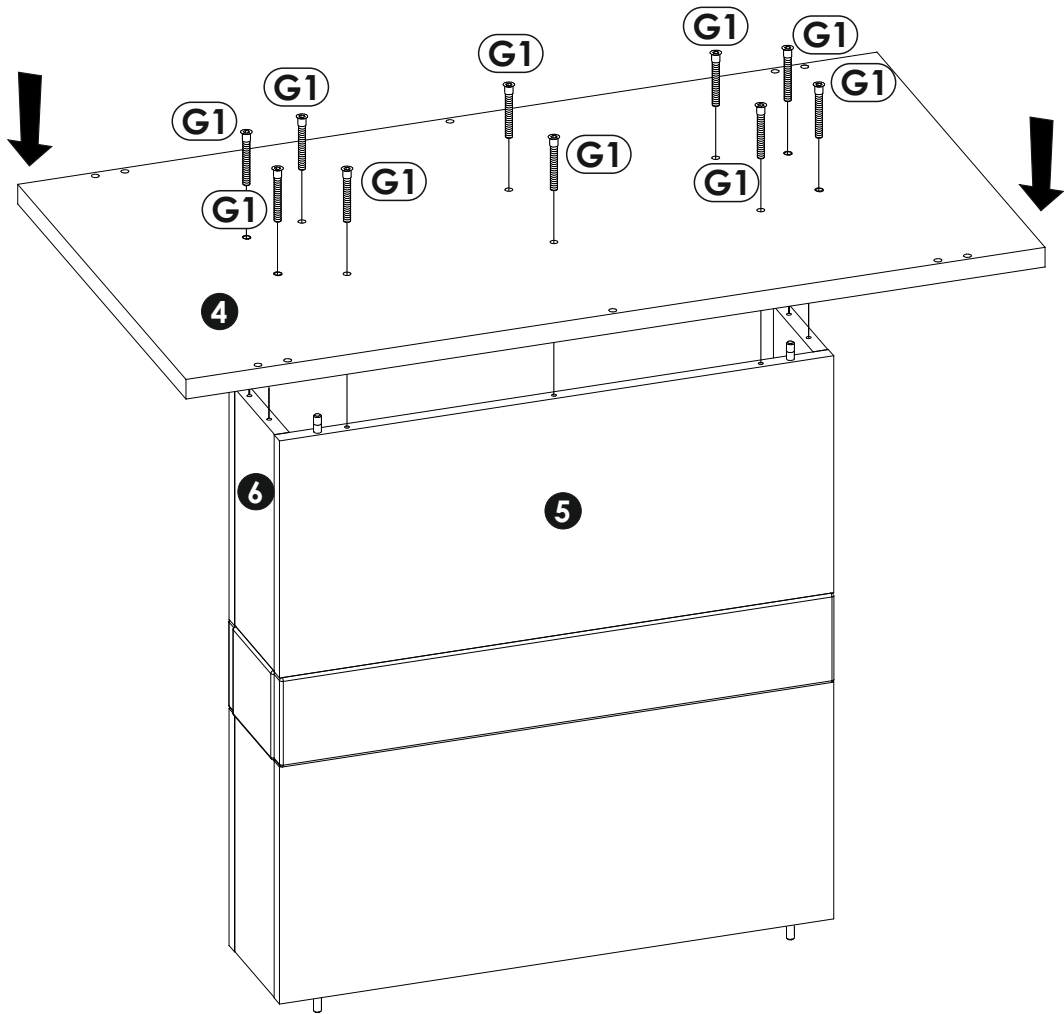
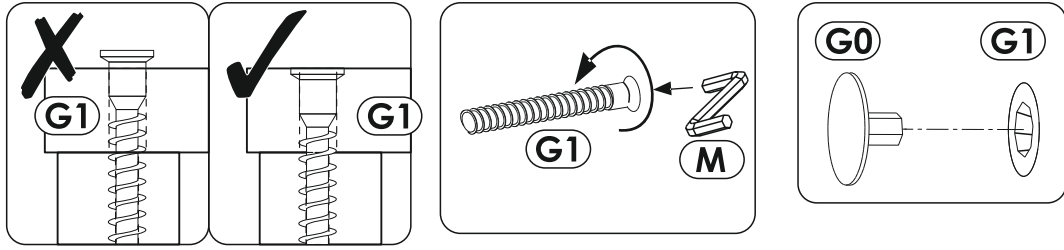


9 ▶

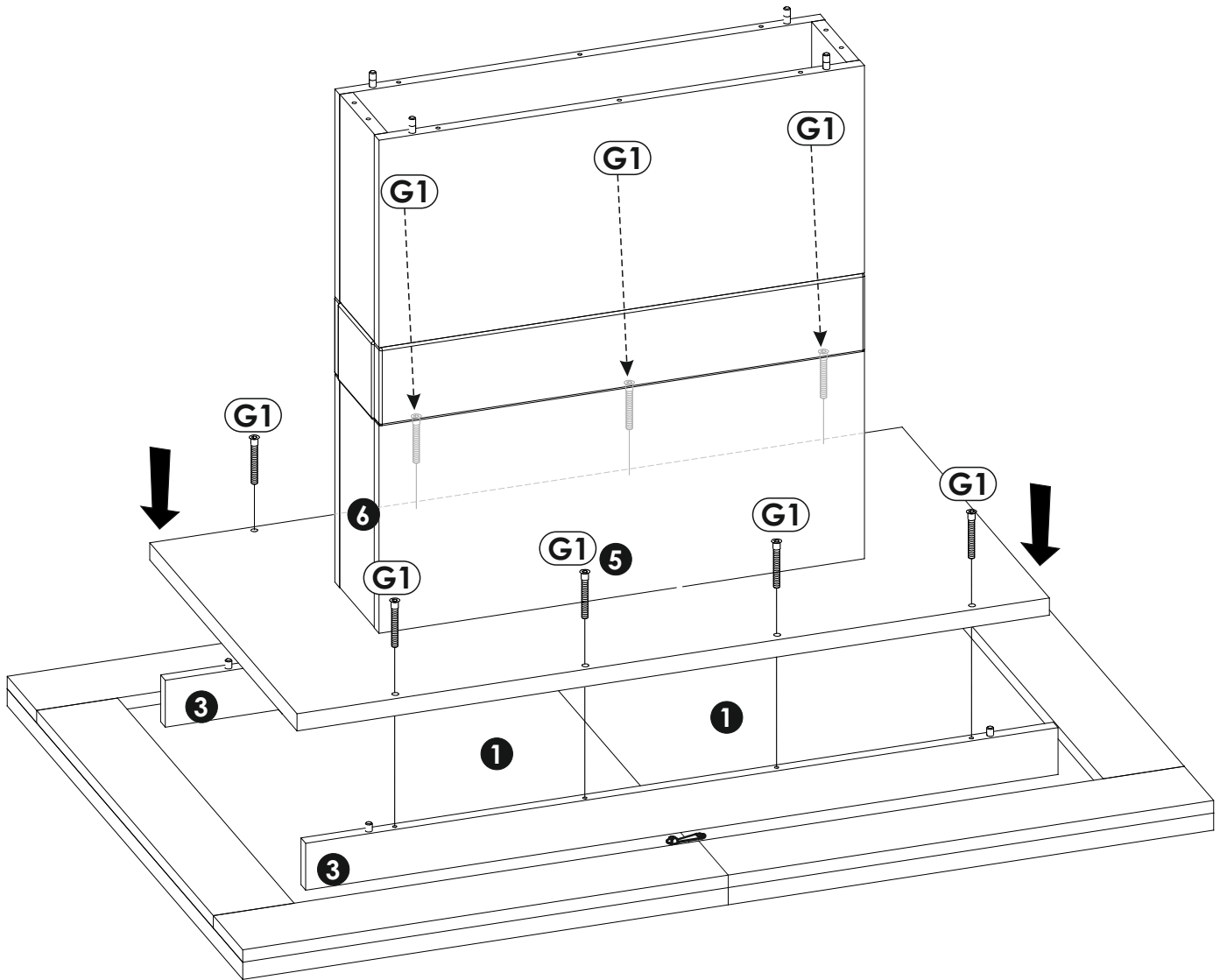
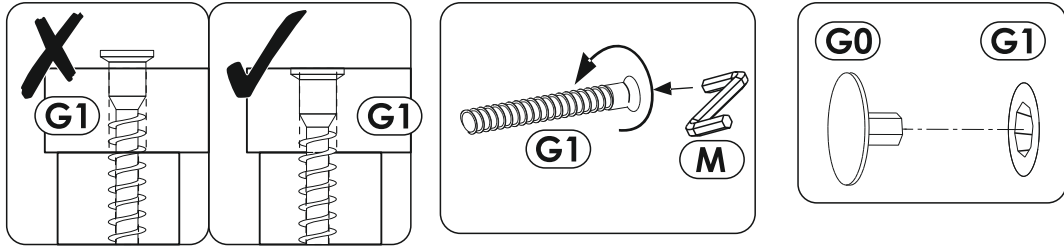


10 ▶

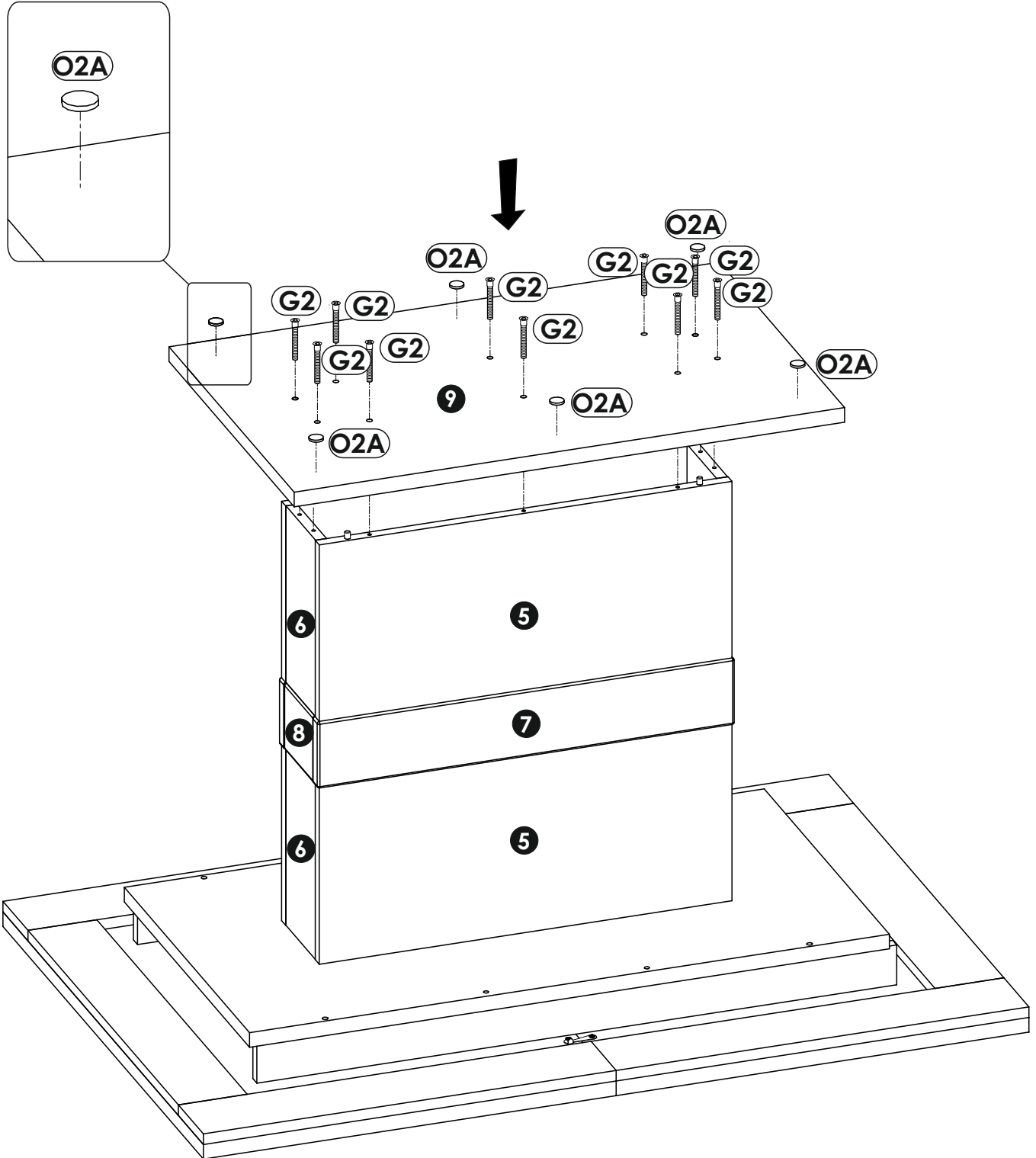
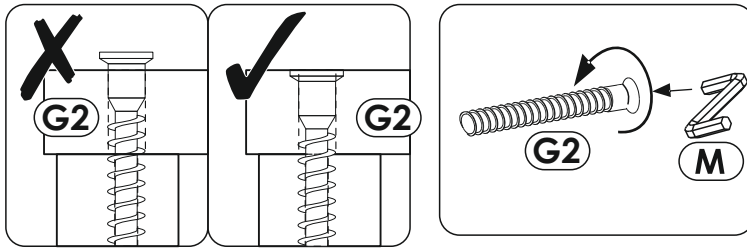


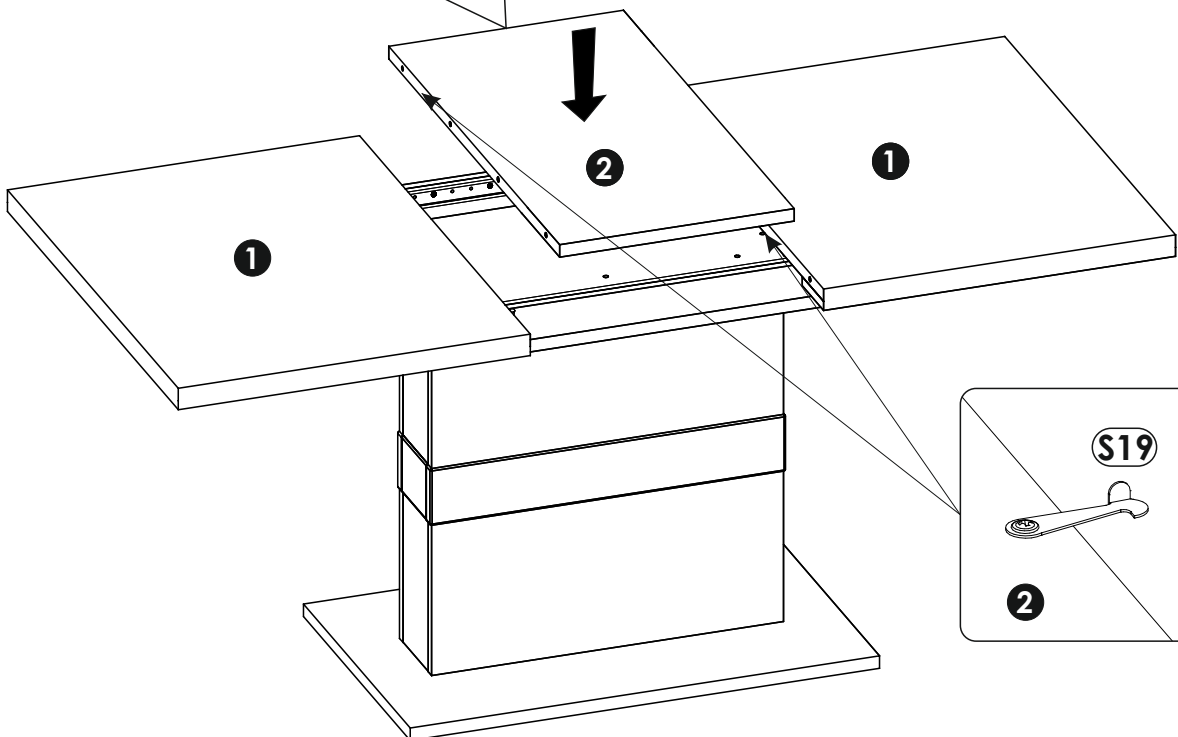
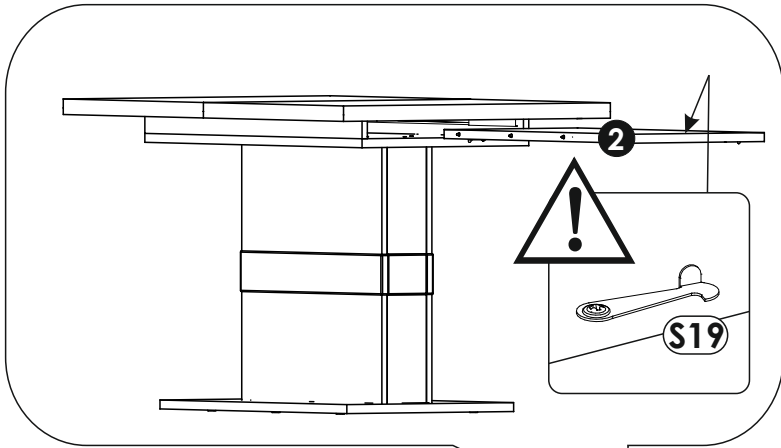
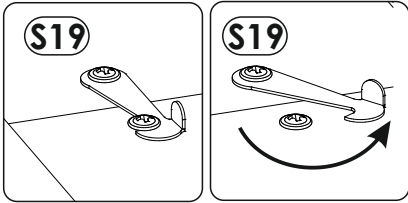
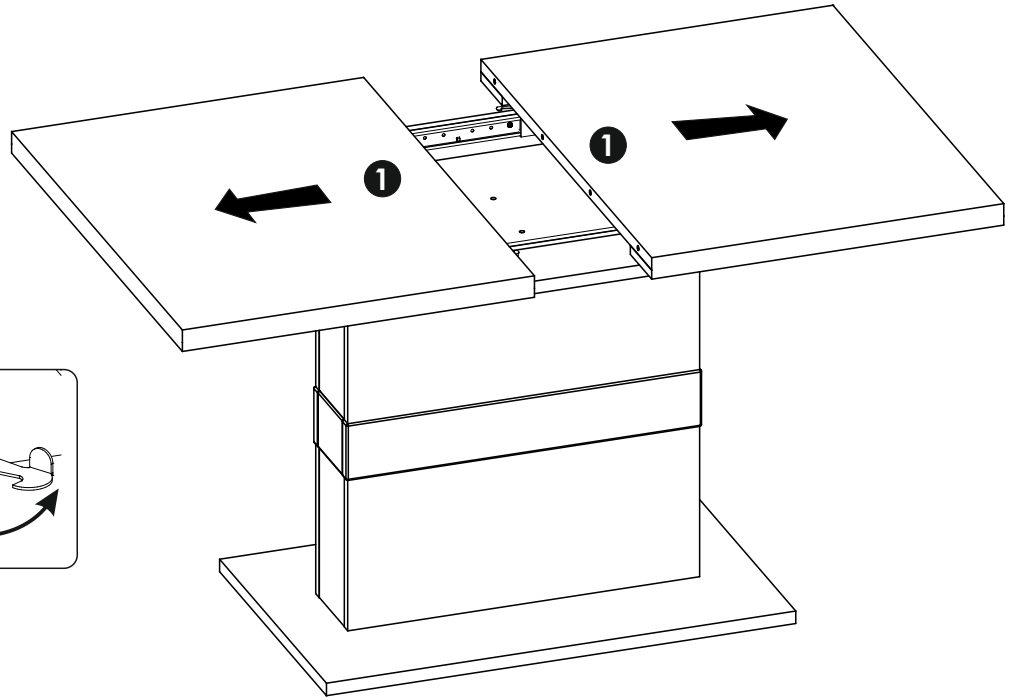


12▶

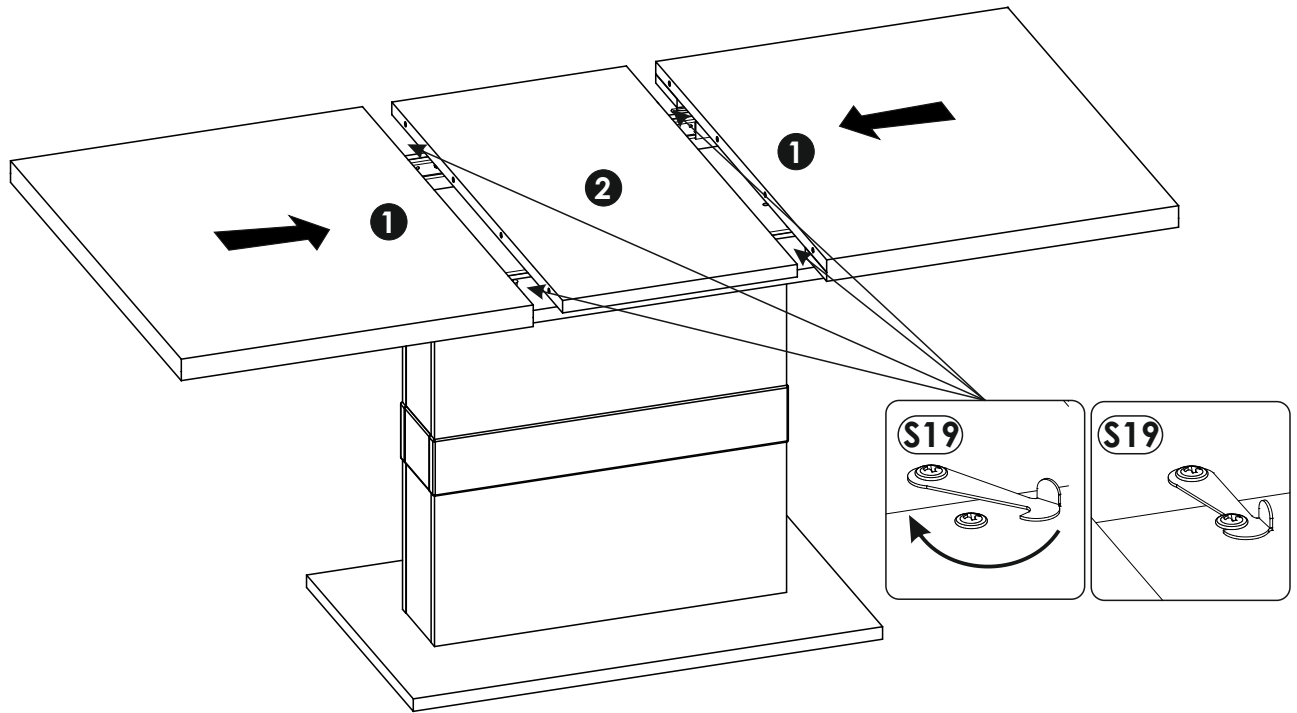


15▶





17▶



18▶

