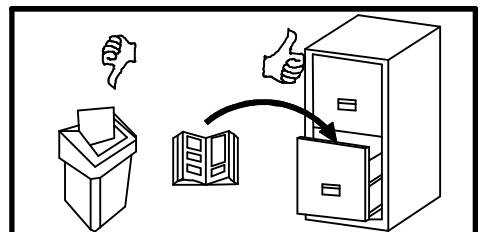
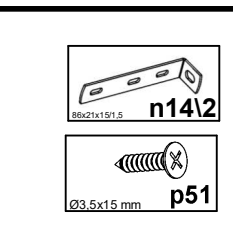
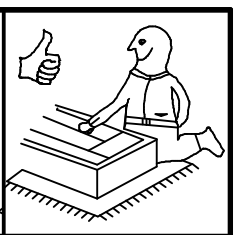
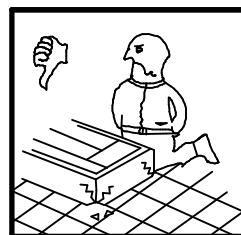
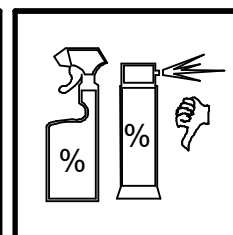
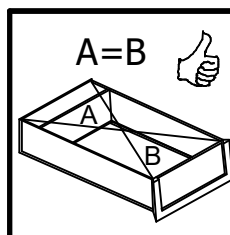
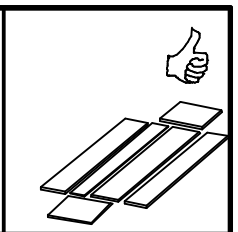
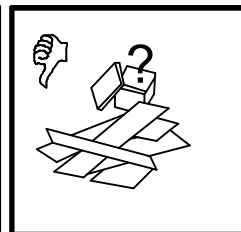
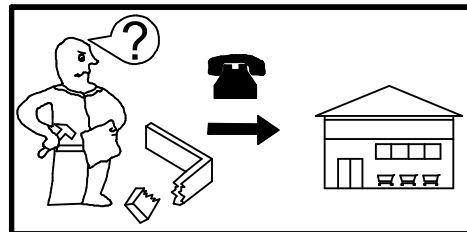
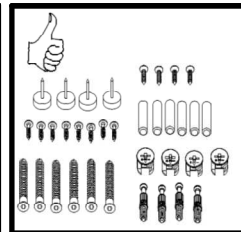
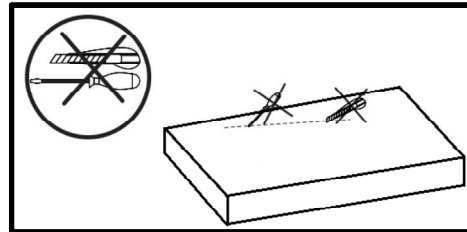
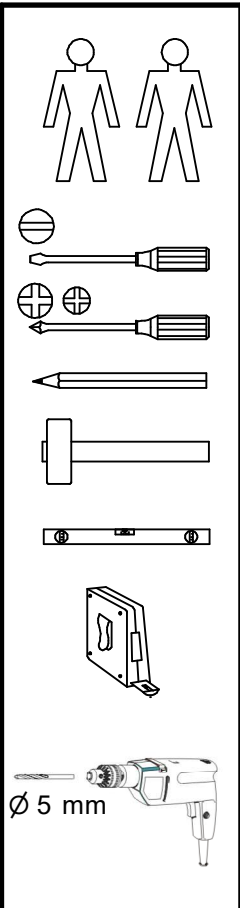
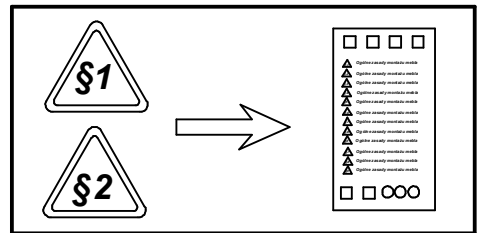
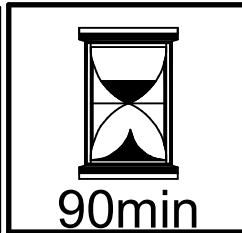
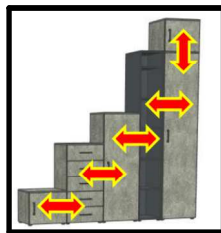
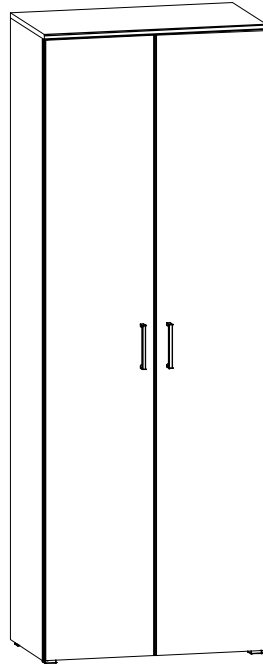
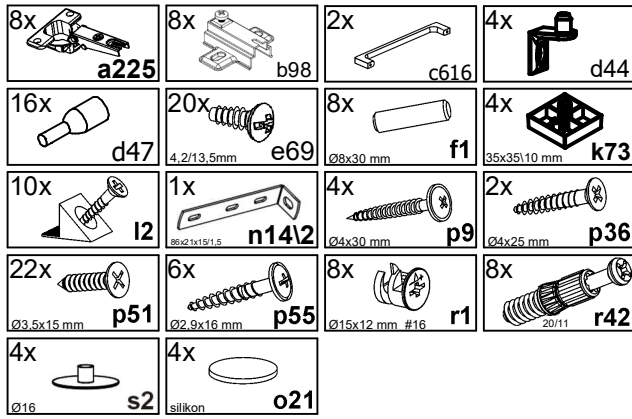
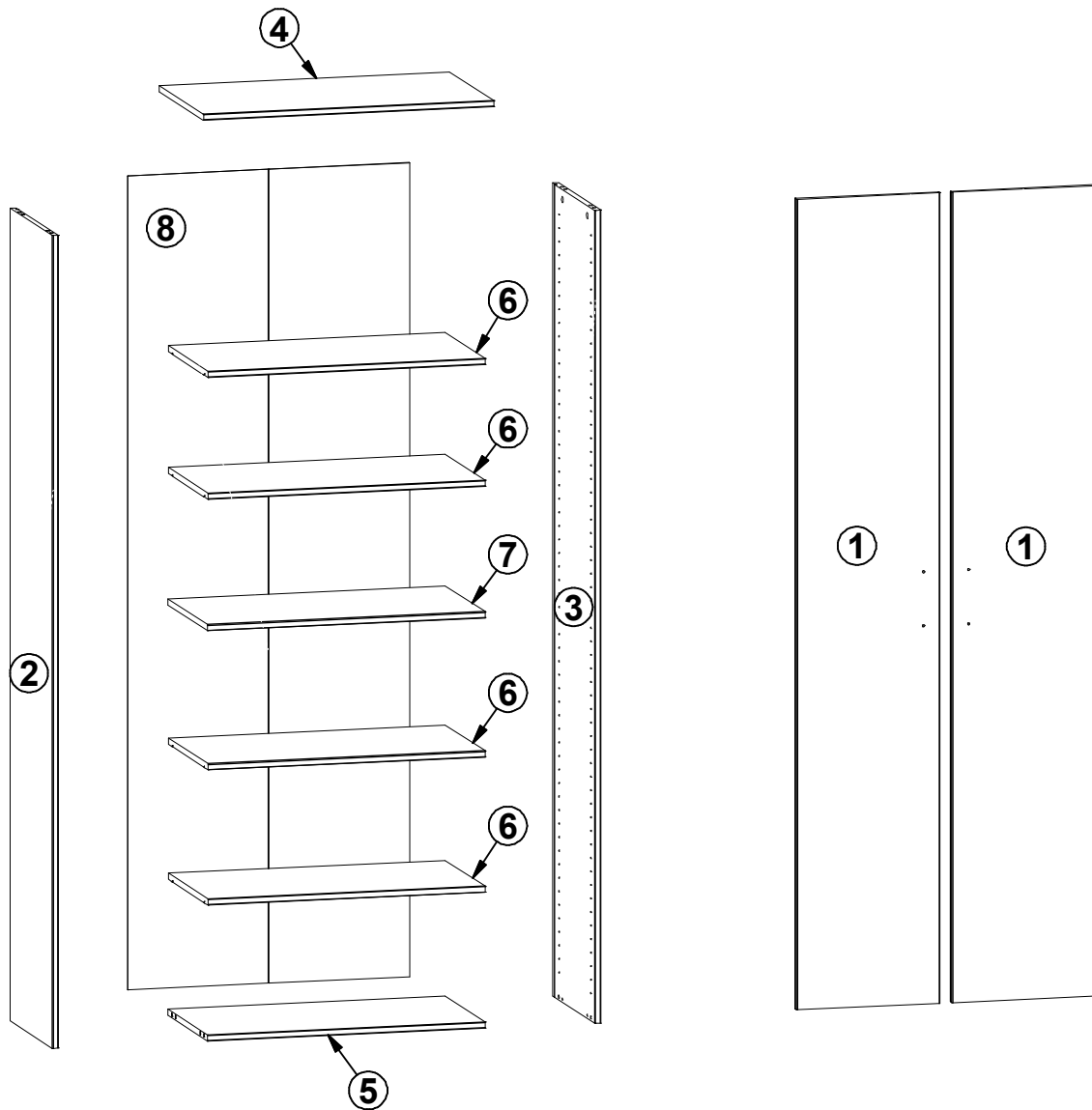


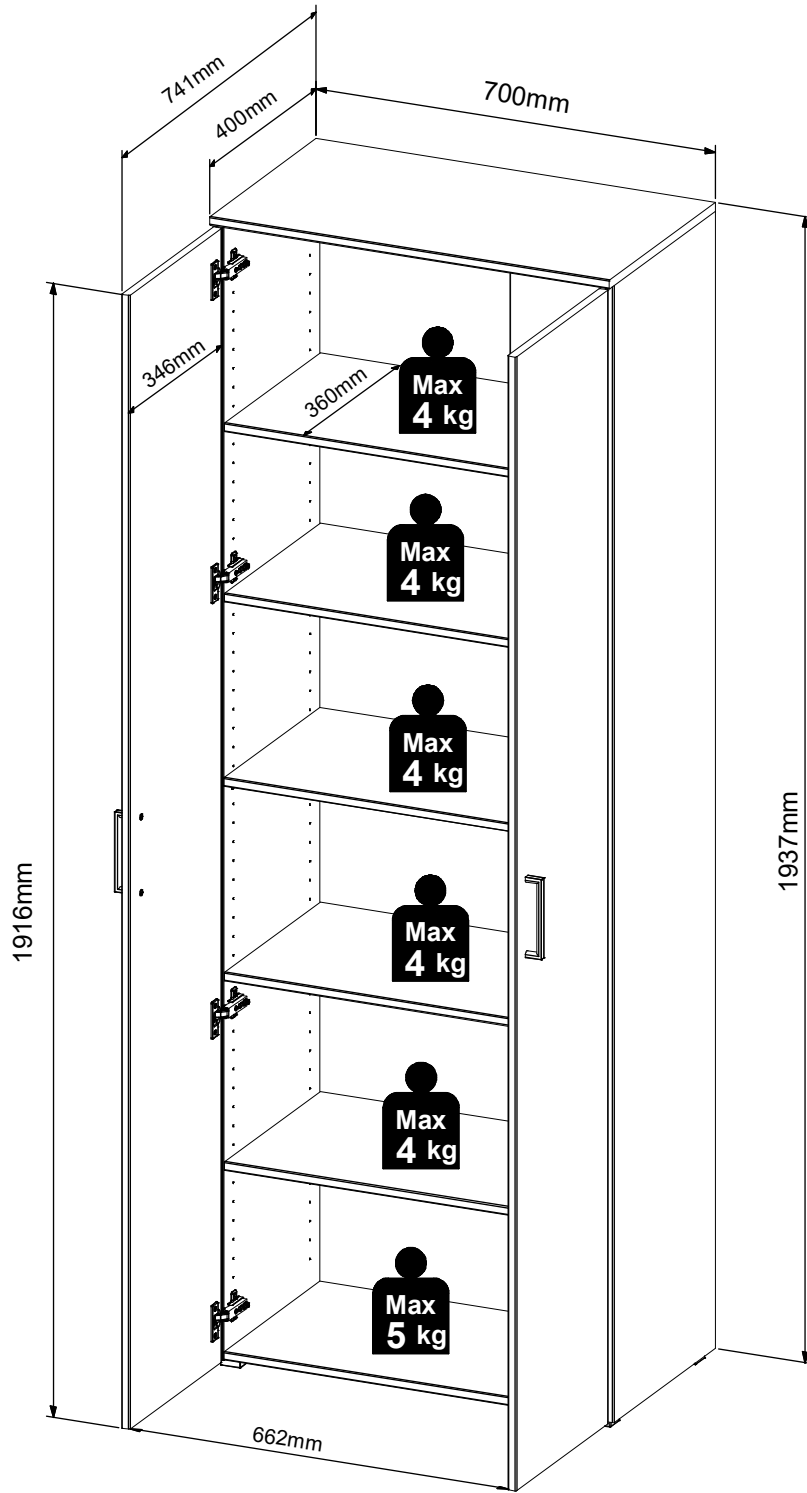
13450233...  
 2427022.../52  
 2427020.../52  
 2427019.../52  
 5107921  
 5107922  
 5107923  
 5107924

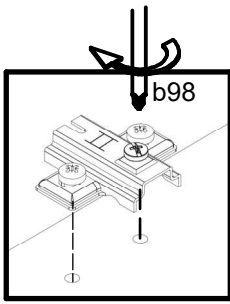
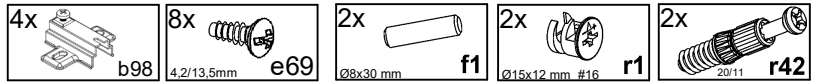




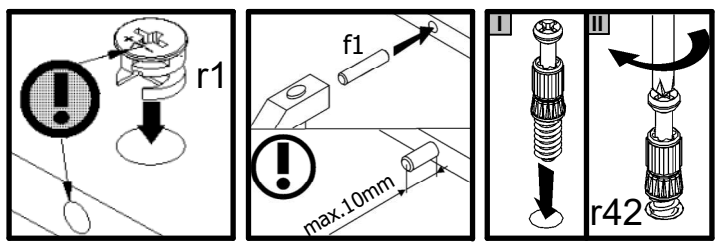
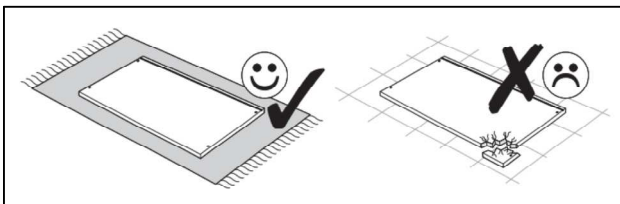
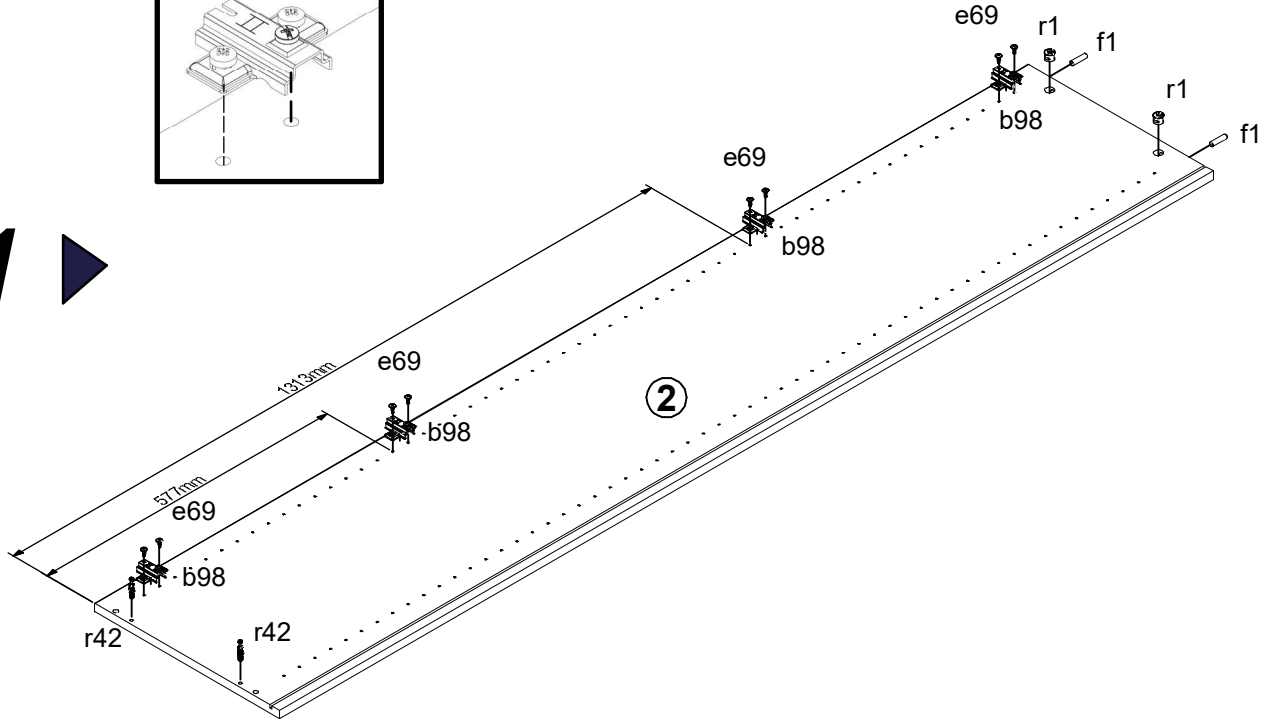
A	B1	B2	C1	C2	C3	D
1	S588-0016	-3	1916	346	15	3/3
2	S588-1001	-3	1922	382	15	2/3
3	S588-1002	-4	1922	382	15	2/3
4	S588-2012	-1	700	400	15	1/3
5	S588-3022	-	669	360	15	1/3
6	S588-3023	-2	668	360	15	1/3
7	S588-3039	-1	669	360	15	1/3
8	S588-9309	-1	1925	679	2,5	2/3



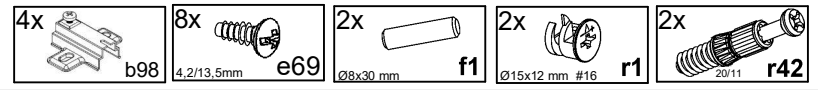
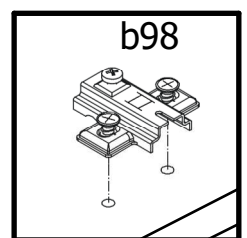
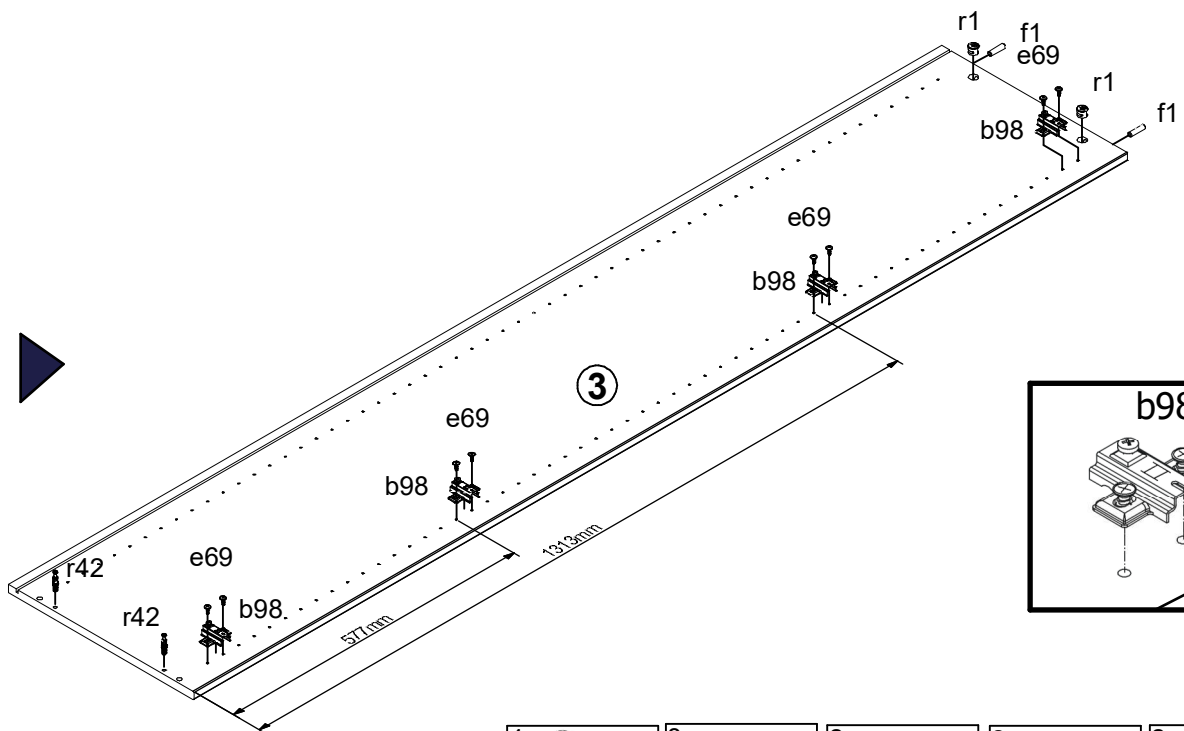


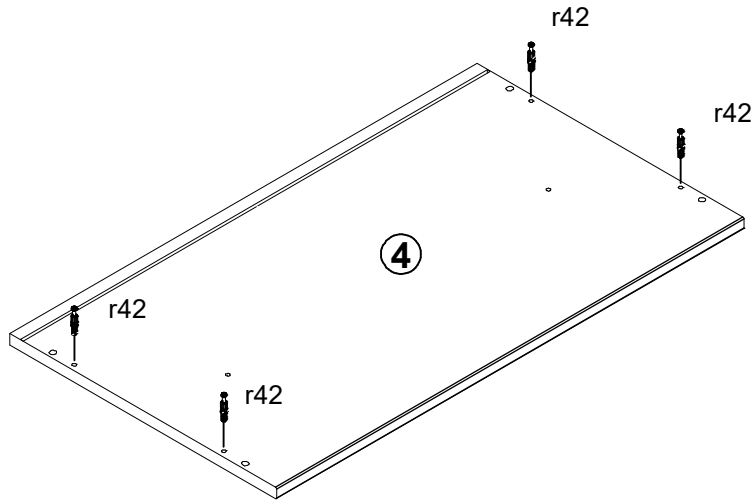
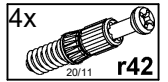


1 ▶

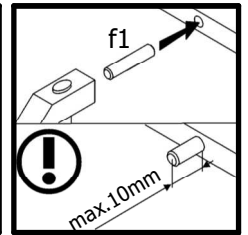
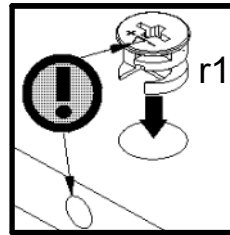
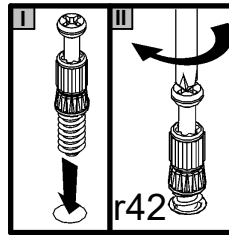
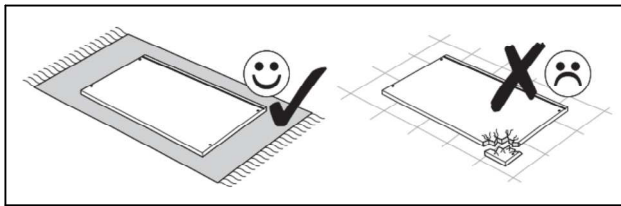


2 ▶

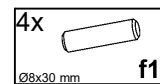
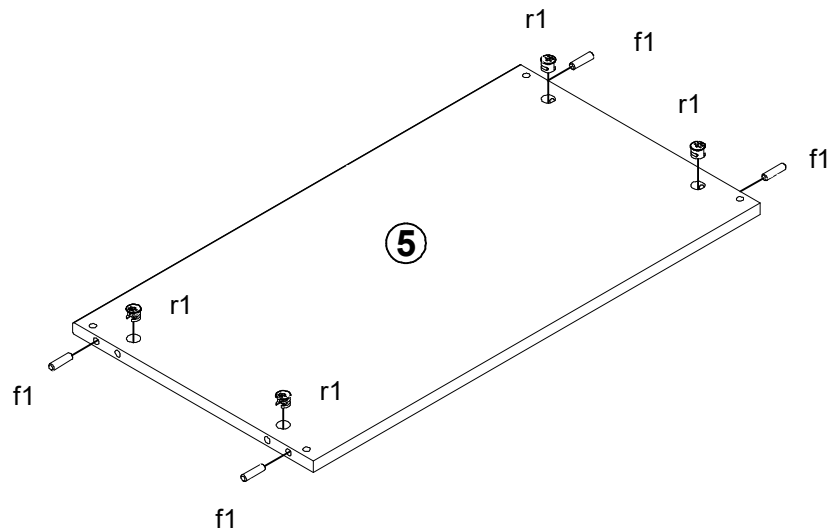


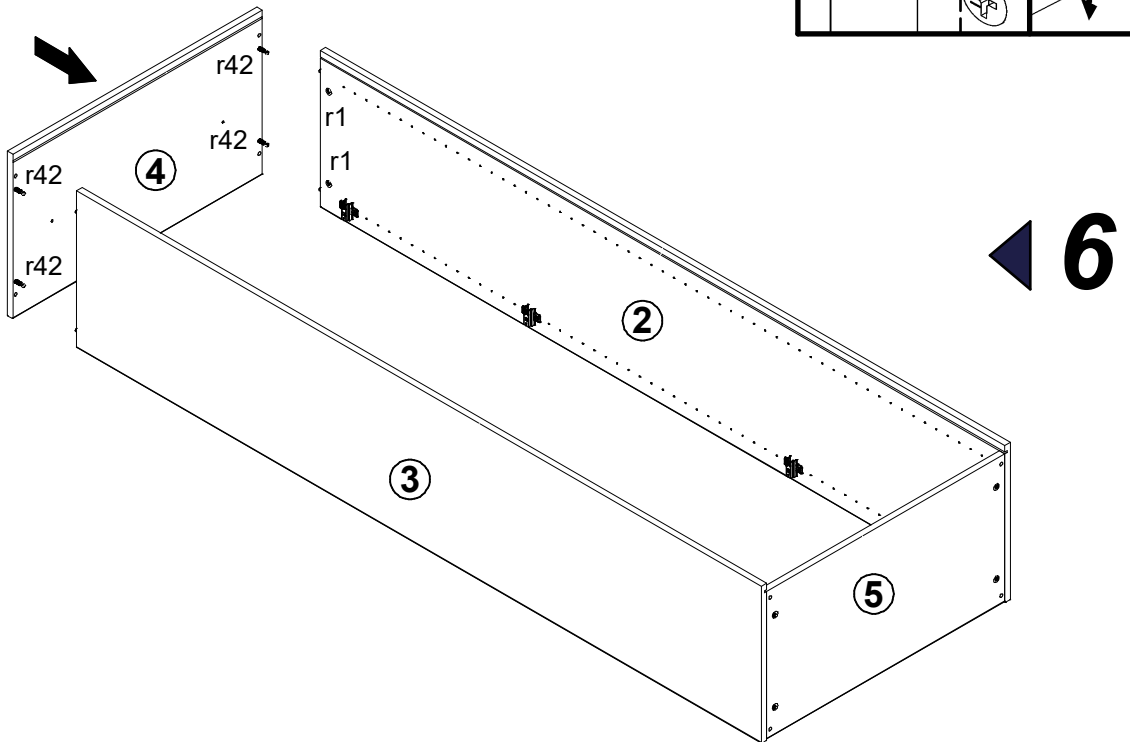
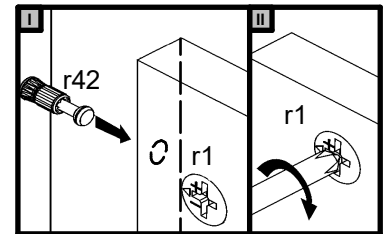
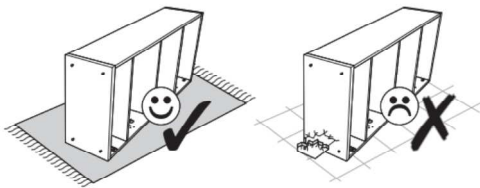
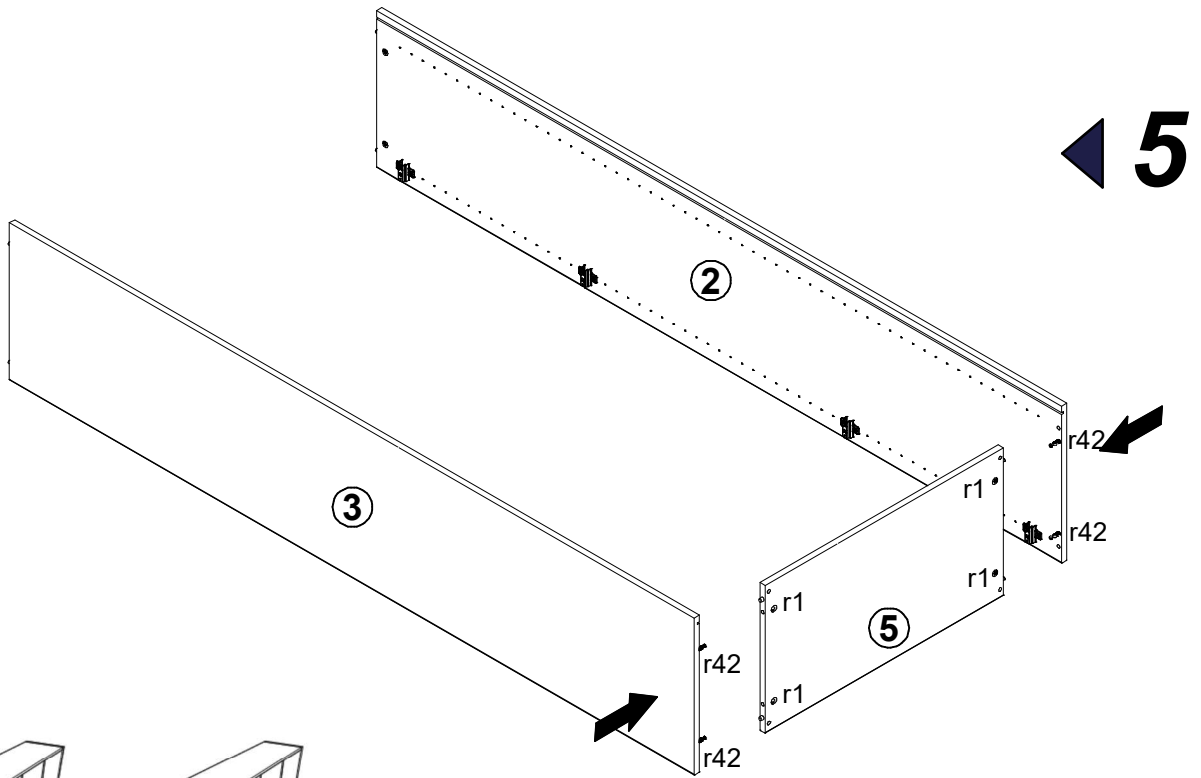


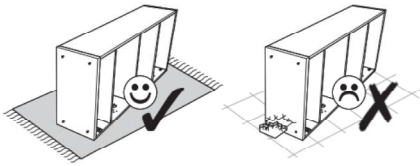
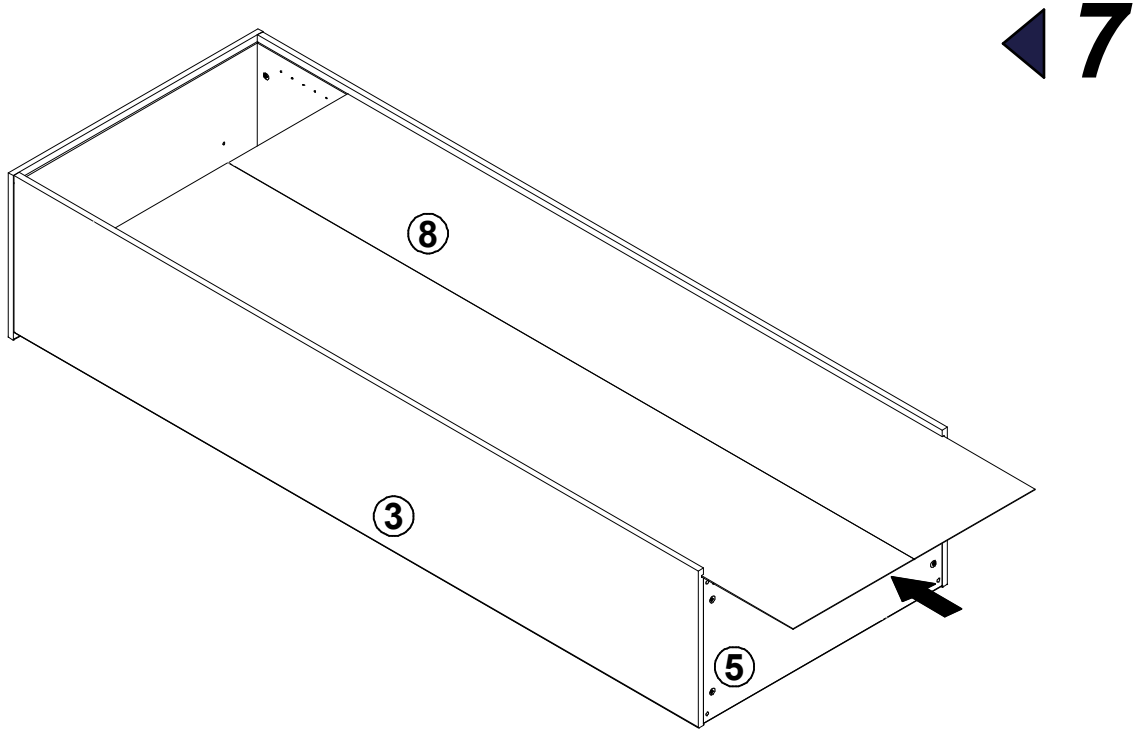
3



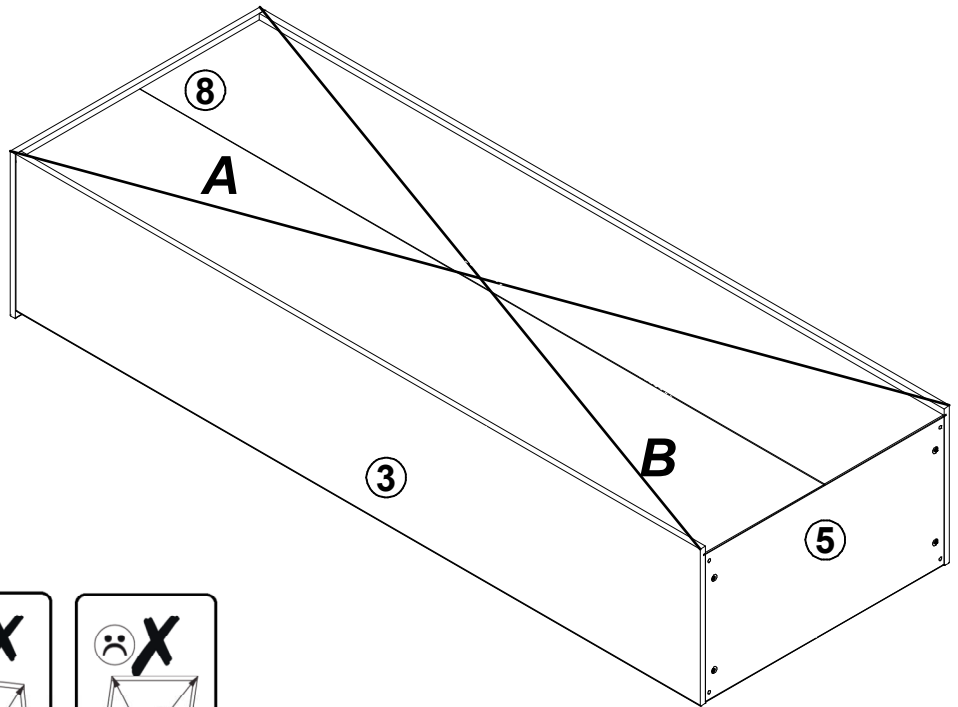
4



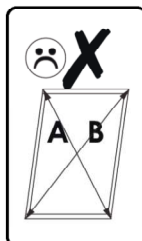
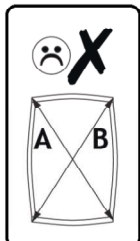
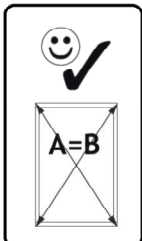


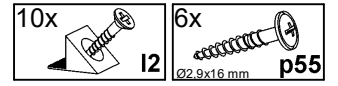


8 ▶

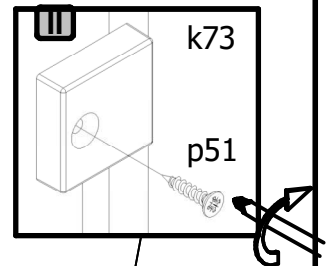
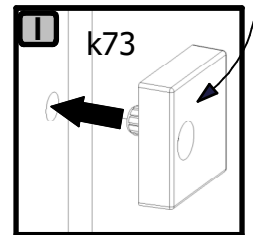
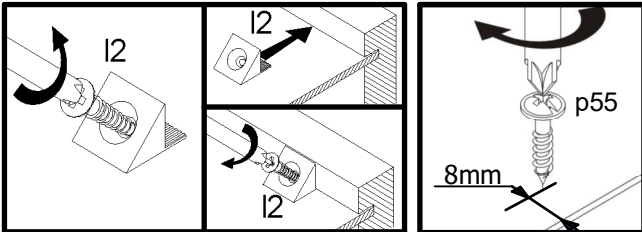
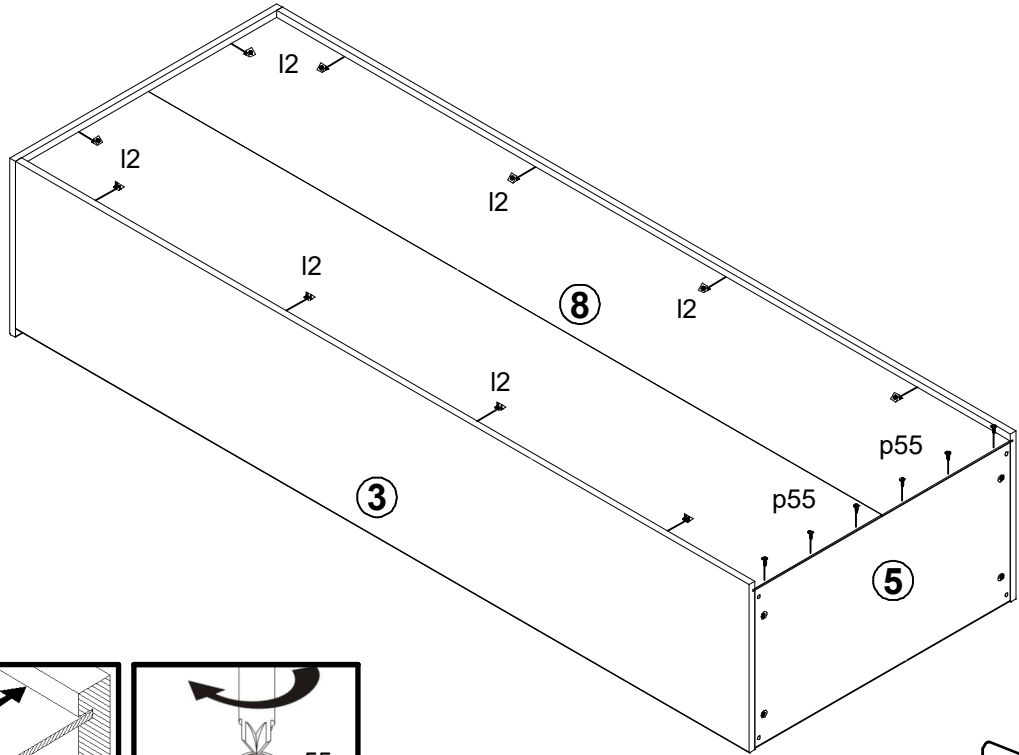


⚠  
**A=B**

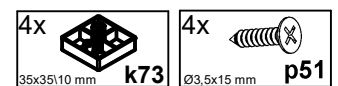
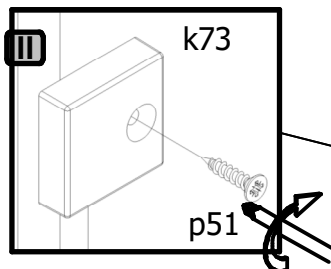
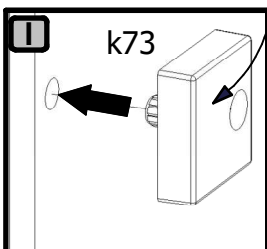
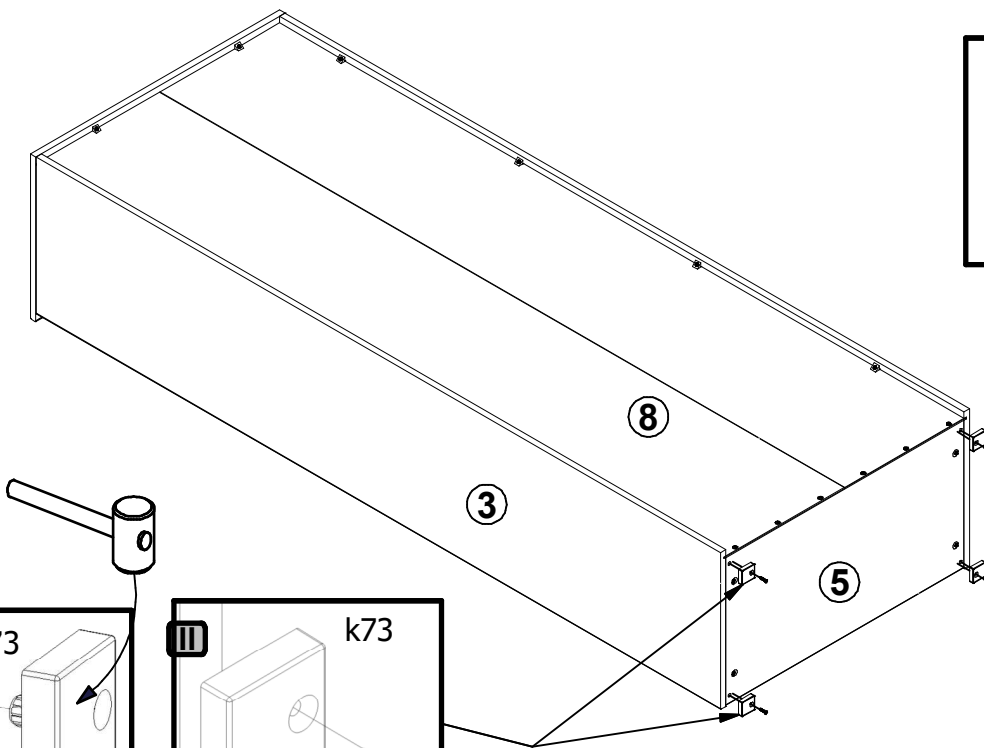




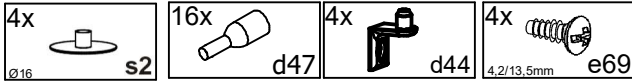
9 ▶



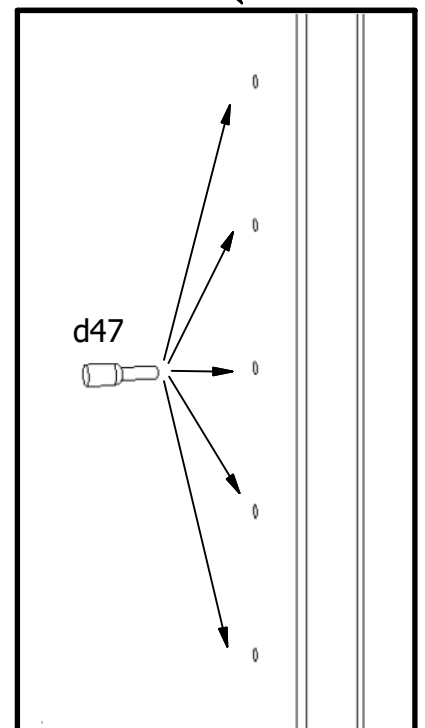
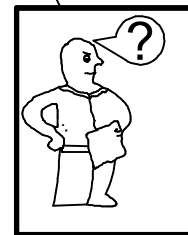
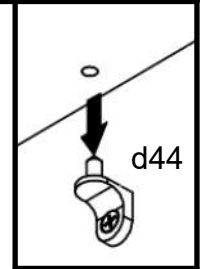
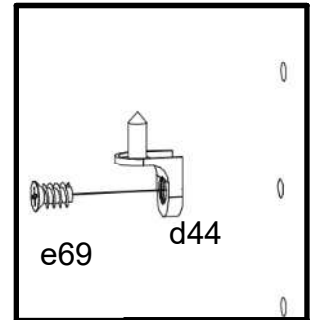
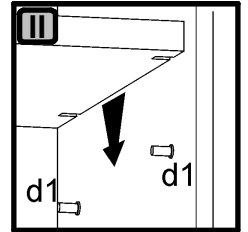
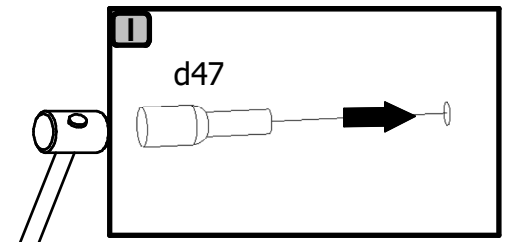
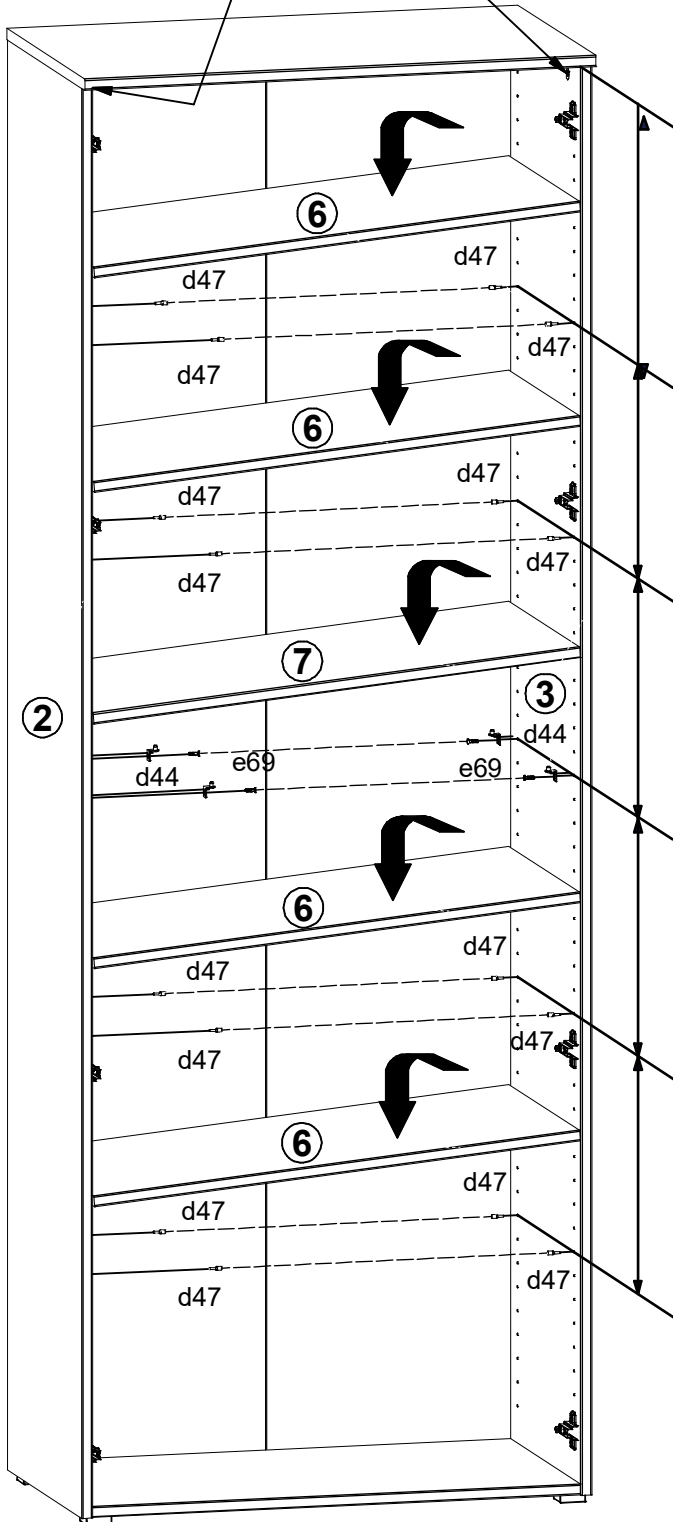
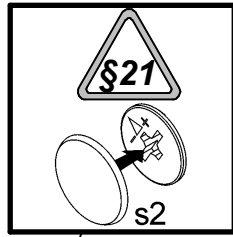
◀ 10

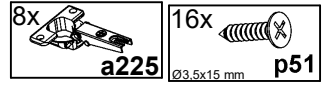
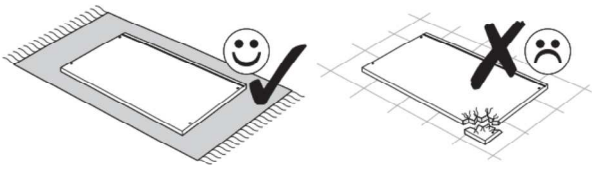




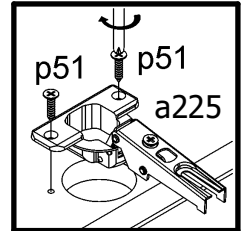
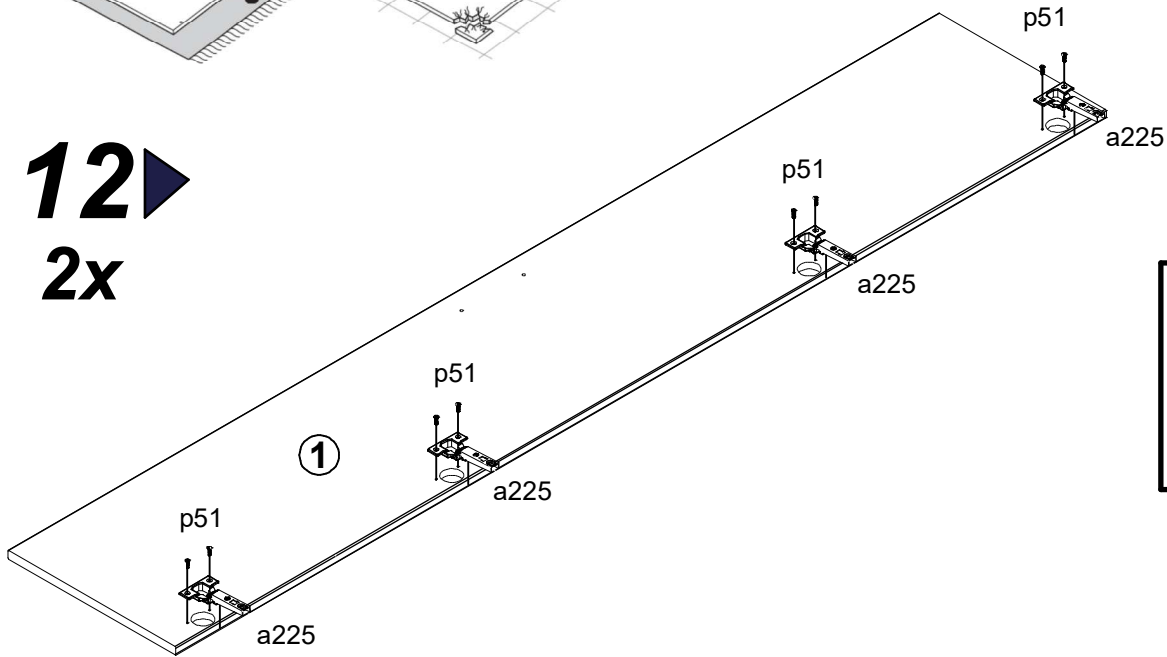


11

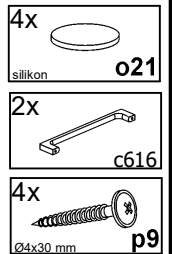
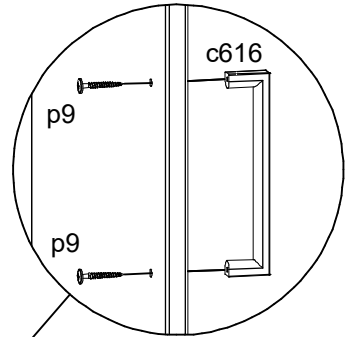
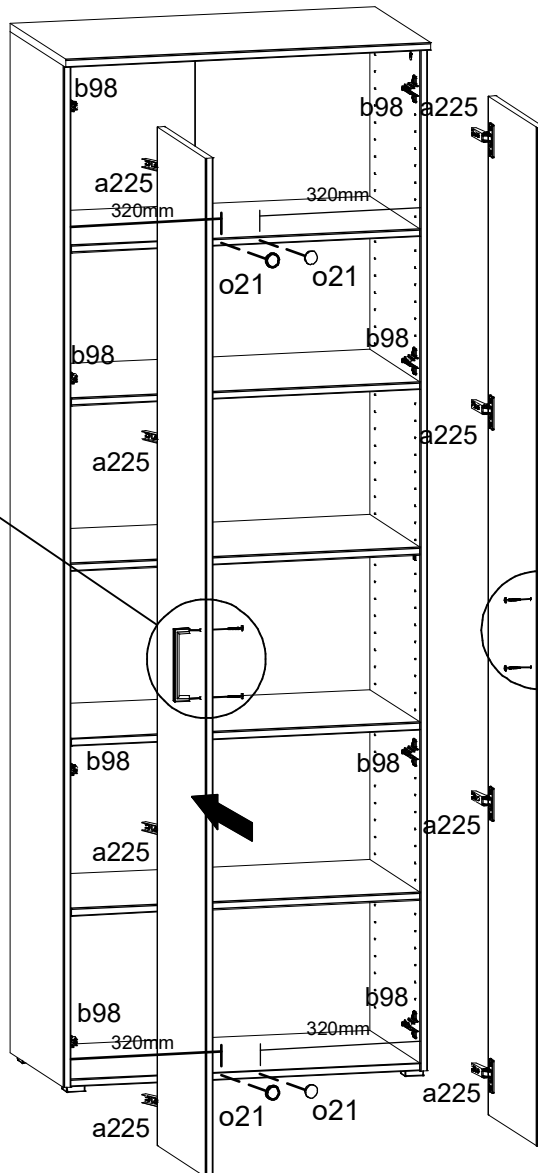
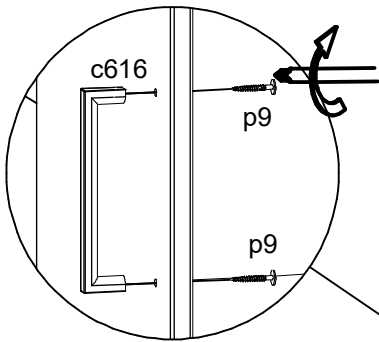




**12** ▶  
**2x**

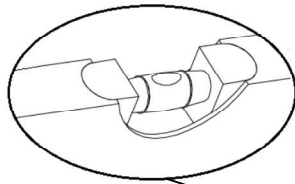
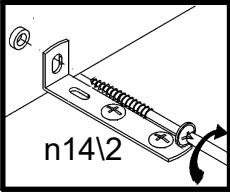
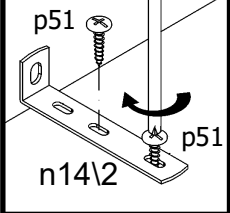
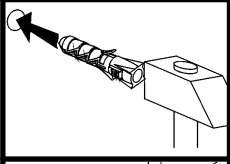
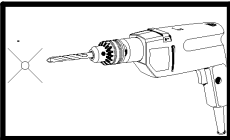


◀ **13**



14

- 1x n142 88x21x1.5
- 2x p55 Ø2.9x16 mm



n142 p55

4

