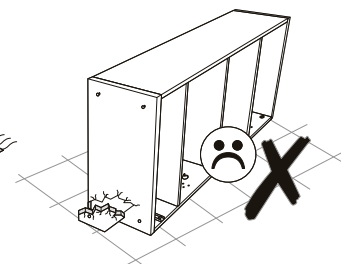
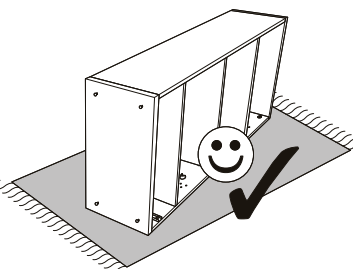
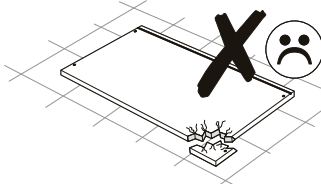
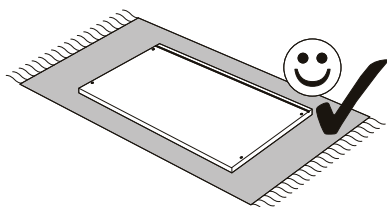
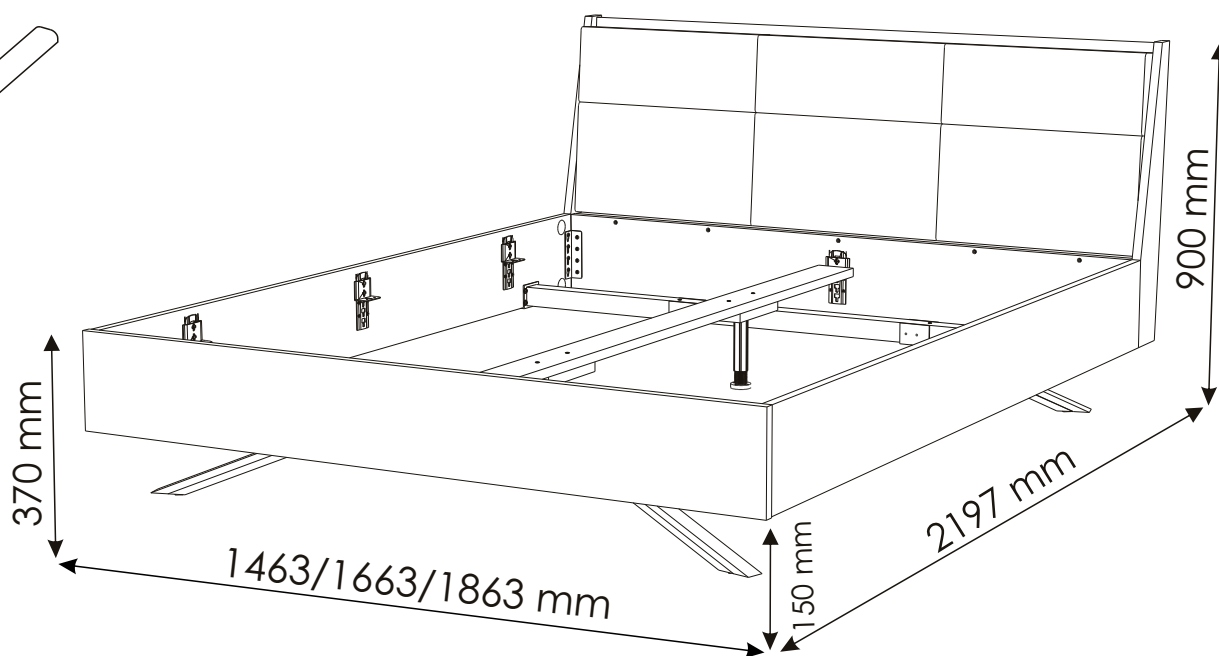
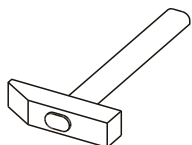
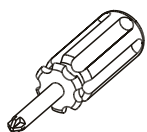
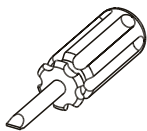
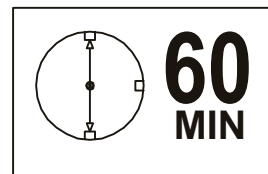
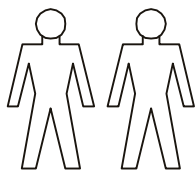




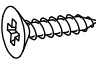




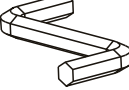

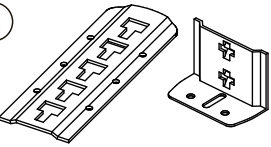
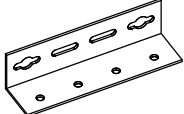
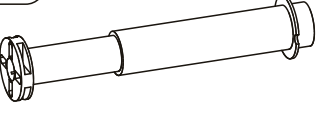

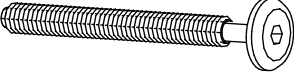
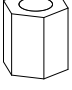


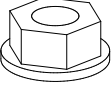
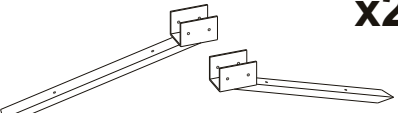


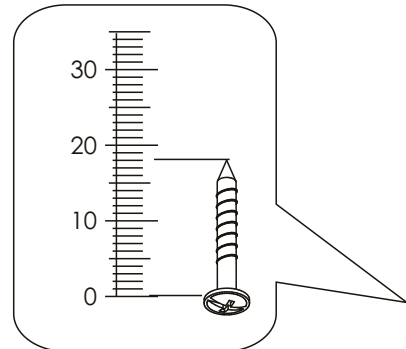
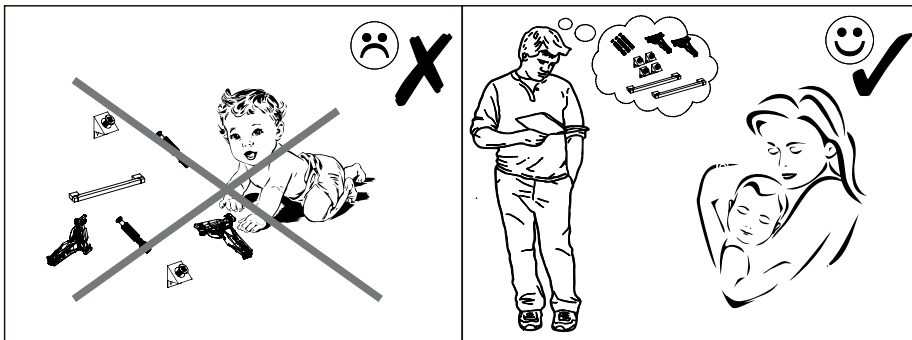
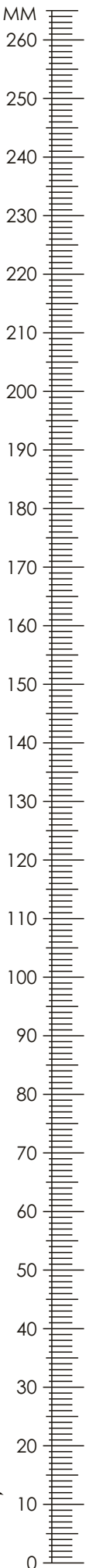
# Dormio 180

Art. nr.: 23300014/01



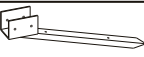

Art. nr.: 23300014/02





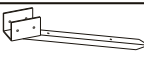

<b>A0</b> 8 x 30mm <b>x16</b> 	<b>B1</b> f 7 x 50 mm <b>x9</b> 	<b>C2</b> <b>x14</b> 
<b>C7</b> 16mm <b>x14</b> 	<b>D10</b> 4 x 16 mm <b>x48</b> 	<b>D11</b> 4 x 20 mm <b>x16</b> 
<b>D41</b> 4,2 x 41 mm <b>x24</b> 	<b>D16</b> 4 x 30 mm <b>x8</b> 	<b>D30</b> EURO 6,3 x 13 mm <b>x34</b> 
<b>K</b> 4mm <b>x1</b> 	<b>KV</b> <b>x2</b> 	<b>P3</b> <b>x8</b> 
<b>P8</b> <b>x4</b> 	<b>T9</b> <b>x2</b> 	<b>U2</b> <b>x4</b> 
<b>C37</b> M6x70 mm <b>x12</b> 	<b>V1</b> M6 <b>x8</b> 	<b>V2</b> L90 <b>x4</b> 
<b>V3</b> <b>x8</b> 	<b>V4</b> M6 <b>x12</b> 	<b>x1</b> <b>LOGO...</b>
<b>x2</b> 		





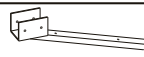

# 140

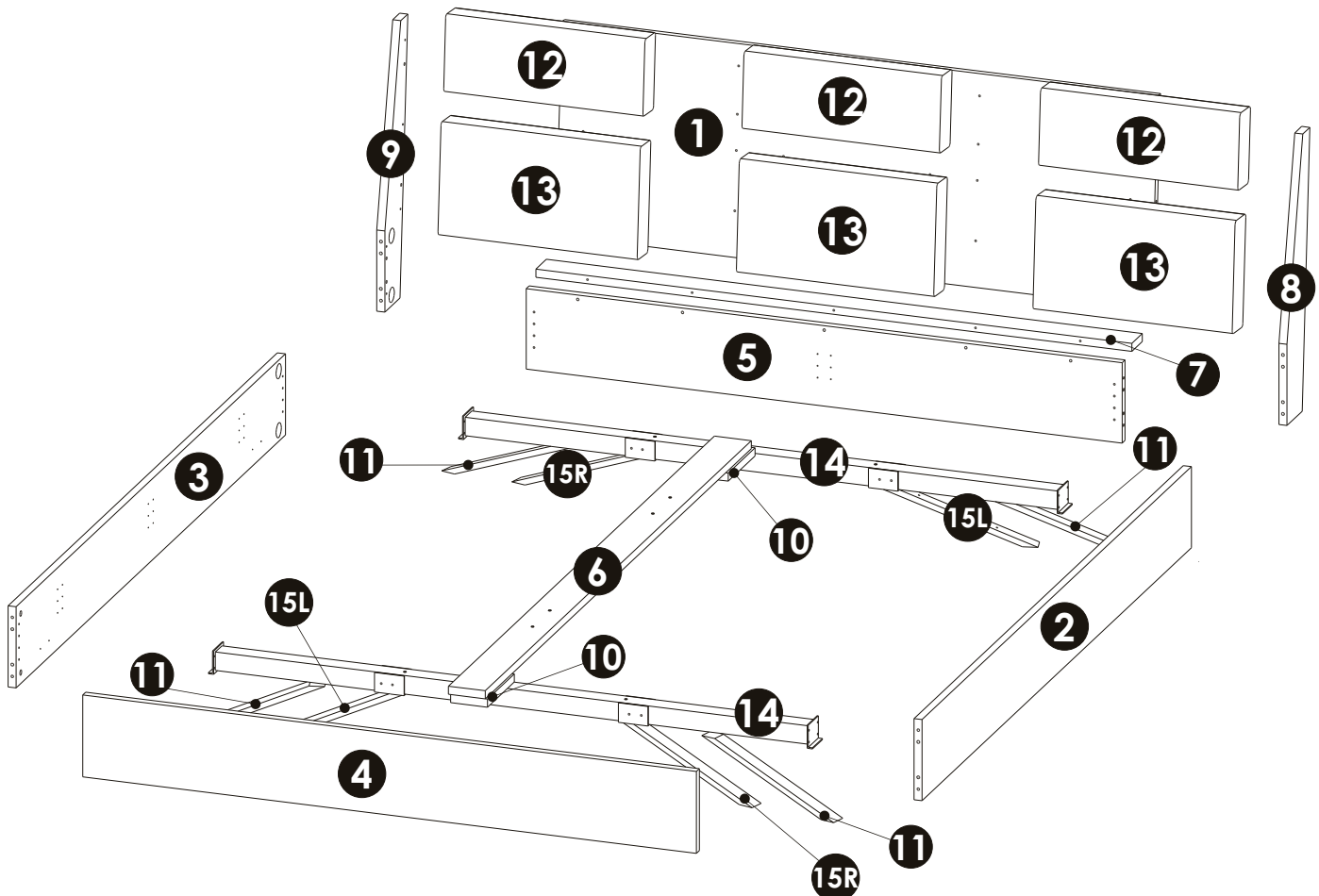
1	1415	566	22	x1	2/5
2	2005	220	22	x1	1/5
3	2005	220	22	x1	1/5
4	1463	222	22	x1	1/5
5	218	1415	22	x1	2/5
6	100	1982	22	x1	1/5
7	78	1415	22	x1	2/5
8	750	170	22	x1	2/5
9	750	170	22	x1	2/5
10	200	100	22	x2	1/5
11	336	40	16	x4	1/5
12	472	205	75	x3	3/5
13	472	300	75	x3	3/5
14				x2	4/5
15L				x2	5/5
15R				x2	5/5
					5/5

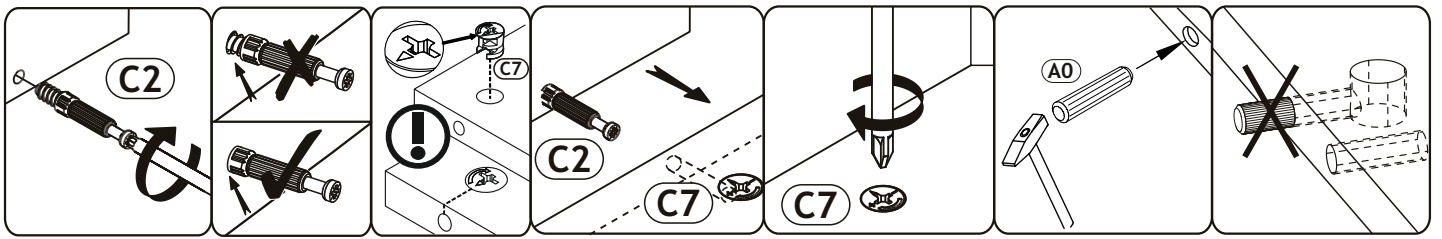
# 160

1	1615	566	22	x1	2/5
2	2005	220	22	x1	1/5
3	2005	220	22	x1	1/5
4	1663	222	22	x1	1/5
5	218	1615	22	x1	2/5
6	100	1982	22	x1	1/5
7	78	1615	22	x1	2/5
8	750	170	22	x1	2/5
9	750	170	22	x1	2/5
10	200	100	22	x2	1/5
11	336	40	16	x4	1/5
12	539	205	75	x3	3/5
13	539	300	75	x3	3/5
14				x2	4/5
15L				x2	5/5
15R				x2	5/5
					5/5

# 180

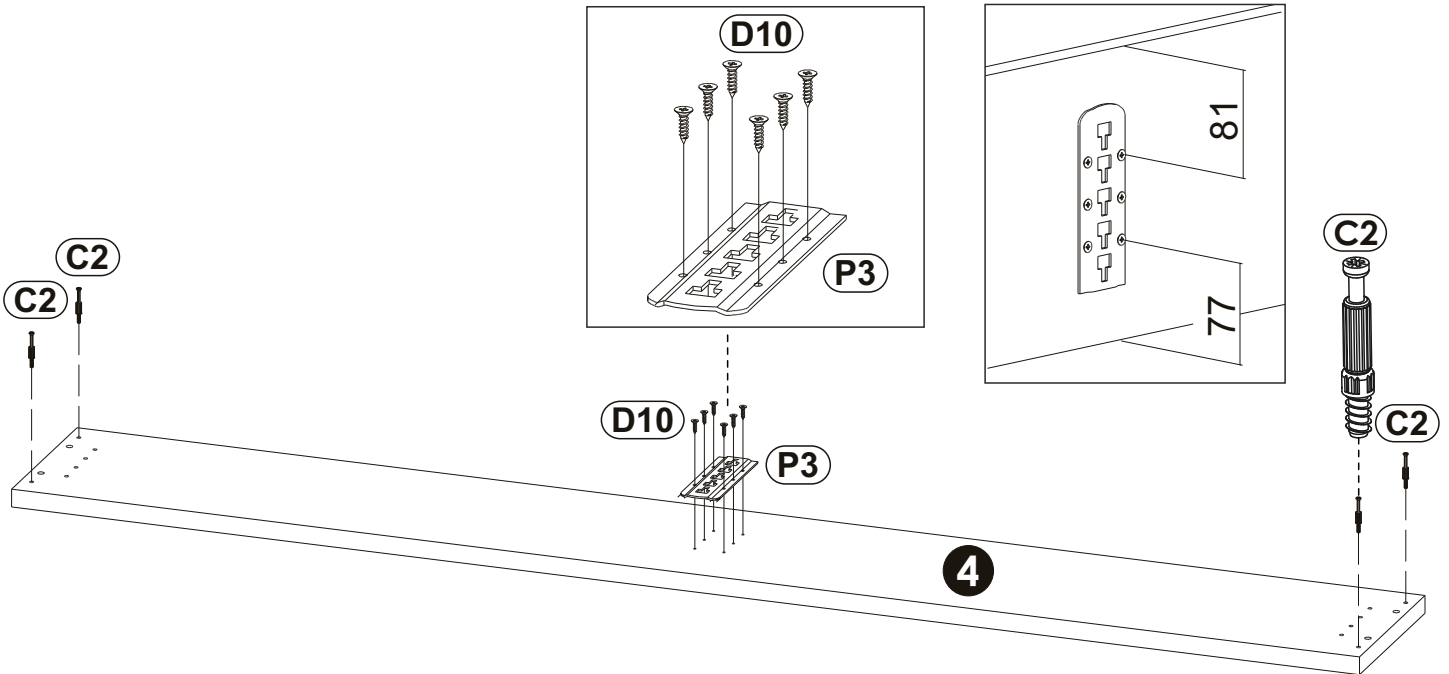
1	1815	566	22	x1	2/5
2	2005	220	22	x1	1/5
3	2005	220	22	x1	1/5
4	1863	222	22	x1	1/5
5	218	1815	22	x1	2/5
6	100	1982	22	x1	1/5
7	78	1815	22	x1	2/5
8	750	170	22	x1	2/5
9	750	170	22	x1	2/5
10	200	100	22	x2	1/5
11	336	40	16	x4	1/5
12	605	205	75	x3	3/5
13	605	300	75	x3	3/5
14				x2	4/5
15L				x2	5/5
15R				x2	5/5
					5/5





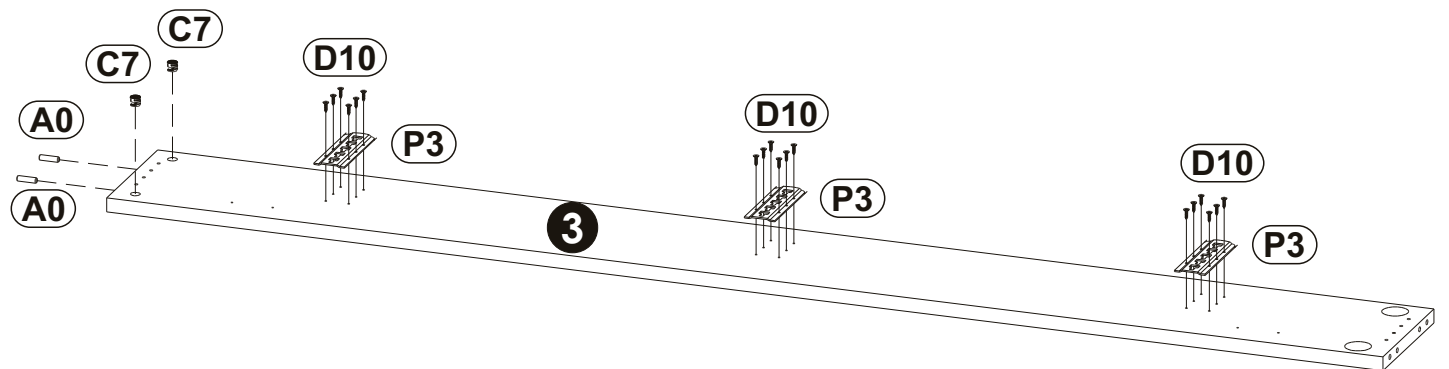
**1**

<b>C2</b>	<b>x4</b>	<b>P3</b>	<b>x1</b>	<b>D10</b>	4 x 16 mm	<b>x6</b>



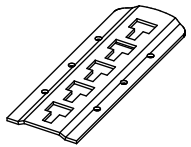
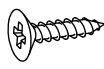


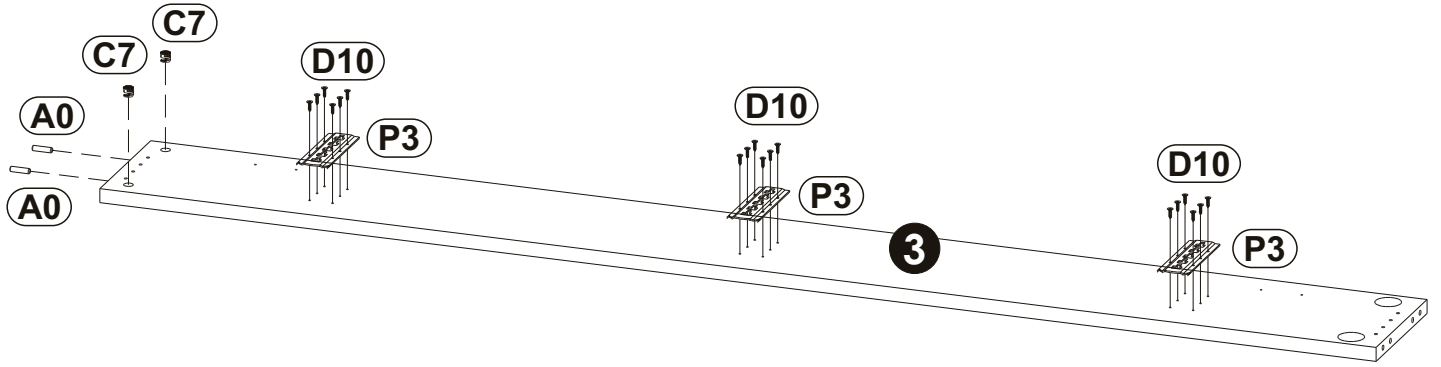
**2**

<b>A0</b>	8 x 30mm	<b>x2</b>	<b>C7</b>	16mm	<b>x2</b>	<b>P3</b>	<b>x3</b>
						<b>D10</b>	4 x 16 mm <b>x18</b>

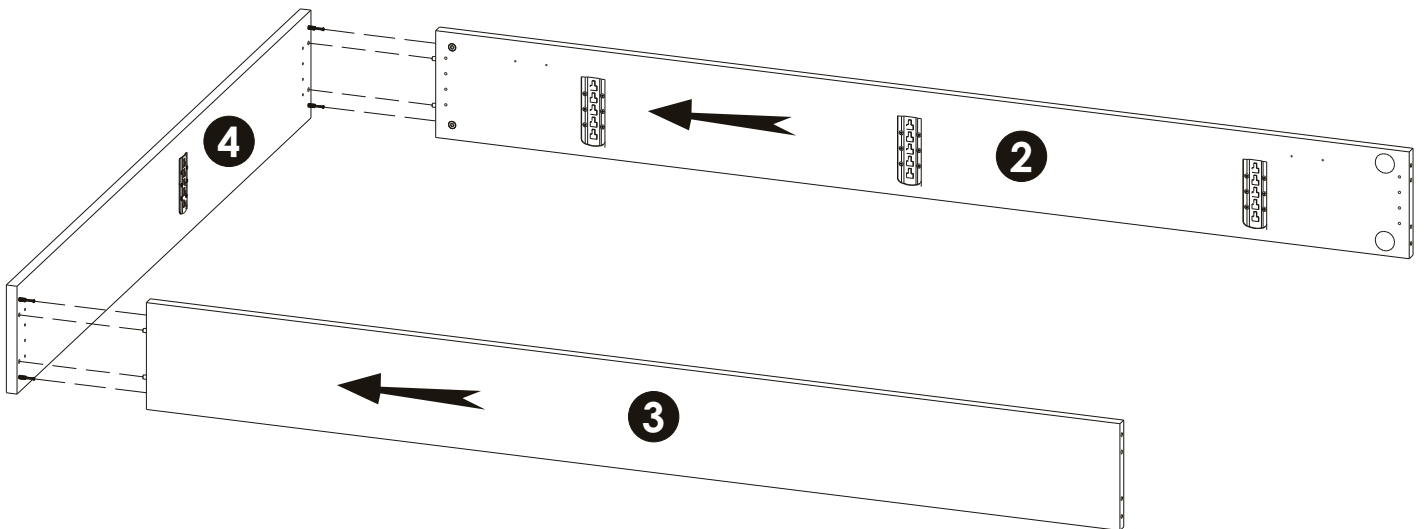
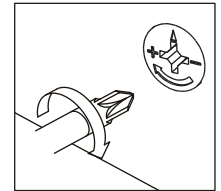



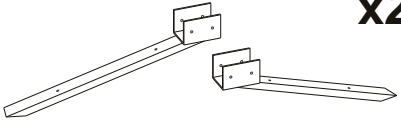

# 3

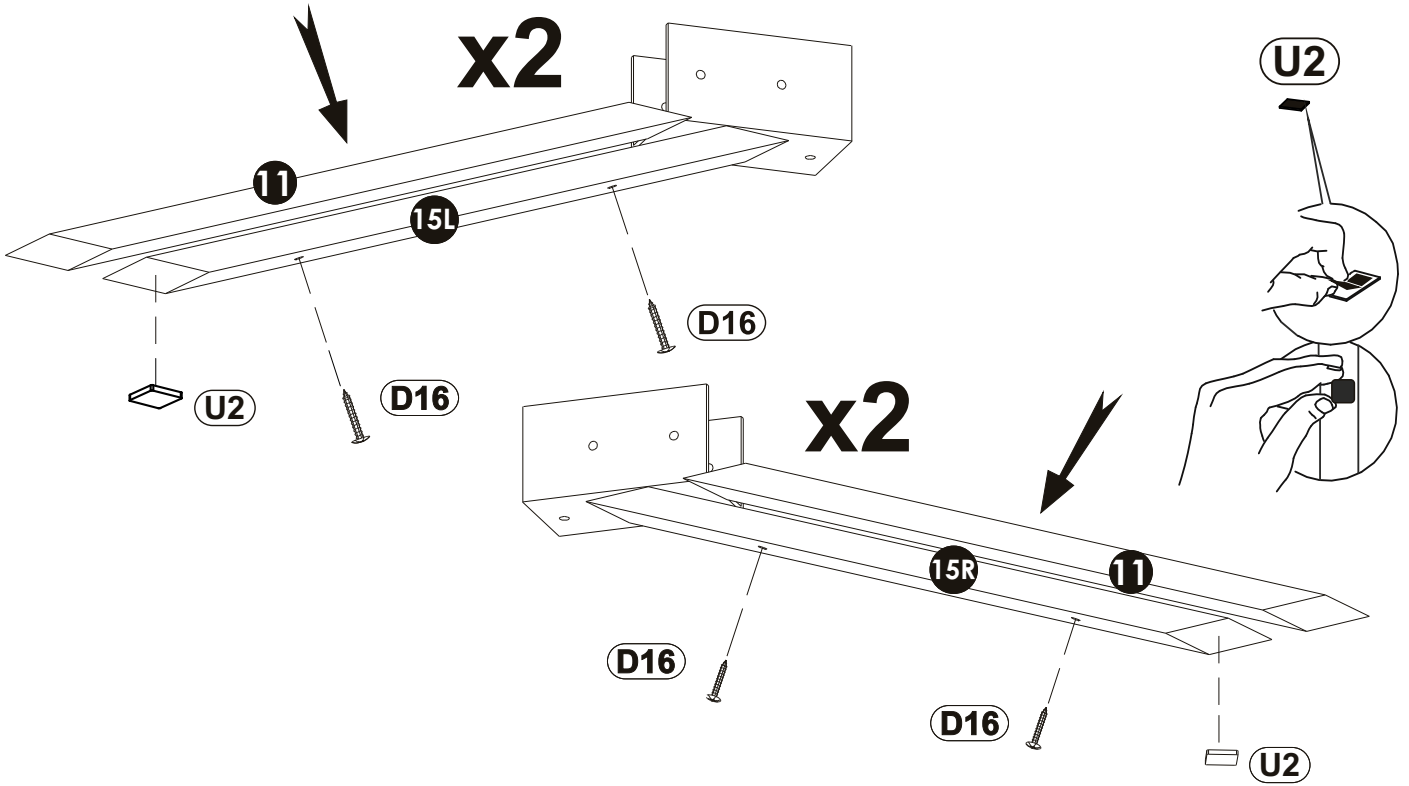
<b>A0</b> 8 x 30mm 	<b>x2</b>	<b>C7</b> 16mm 	<b>x2</b>	<b>P3</b> 	<b>x3</b>
				<b>D10</b> 4 x 16 mm 	<b>x18</b>

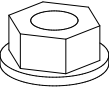
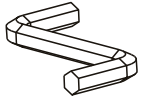
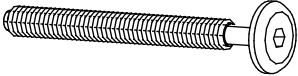


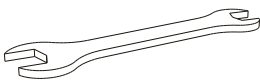
# 4

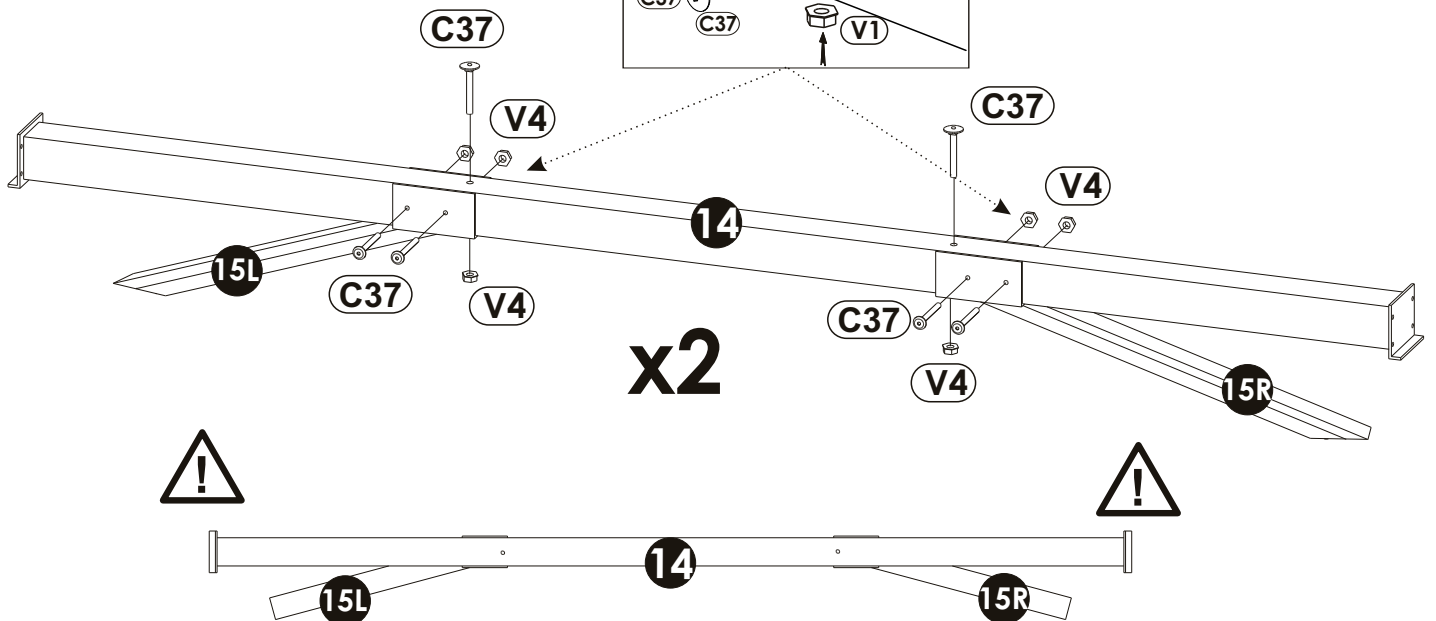
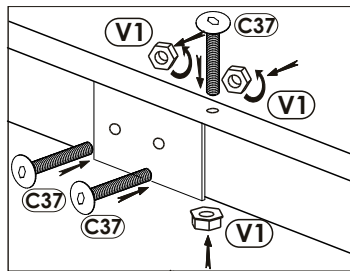


<b>5</b>	<b>D16</b>	4 x 30 mm	<b>x8</b>	<b>U2</b>		<b>x4</b>		<b>x2</b>
								



<b>6</b>	<b>V4</b>		<b>x12</b>	<b>M6</b>	<b>C37</b>	M6x70 mm	<b>x12</b>	<b>K</b>		<b>x1</b>
										

<b>KV</b>		<b>x1</b>
-----------	---	-----------

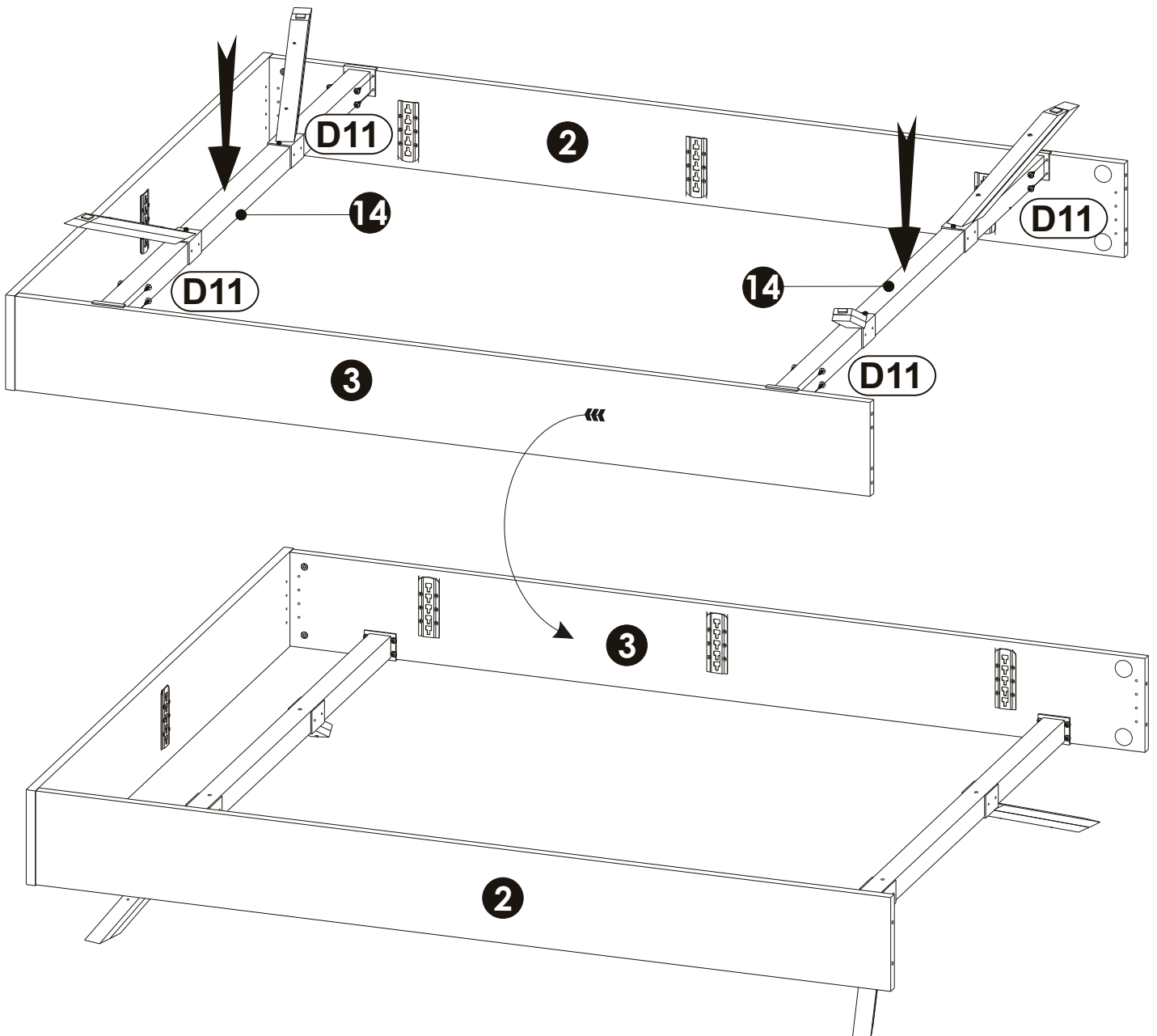
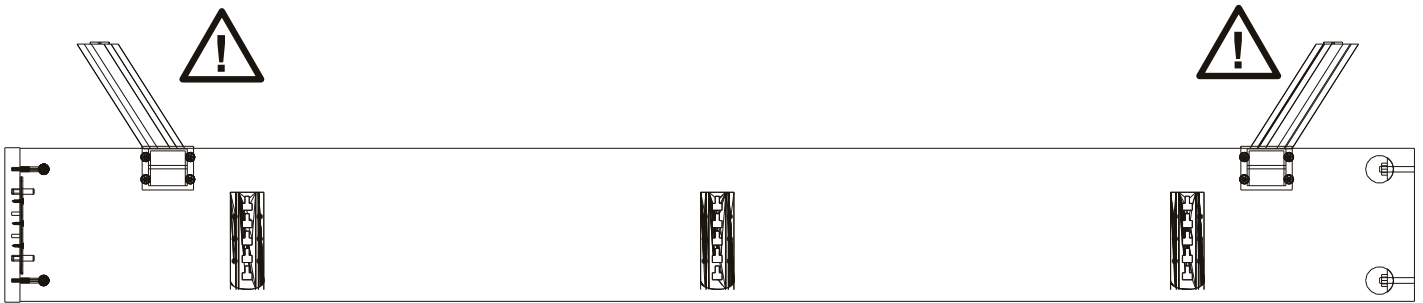


# 7



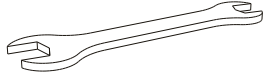
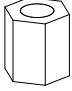


**D11**

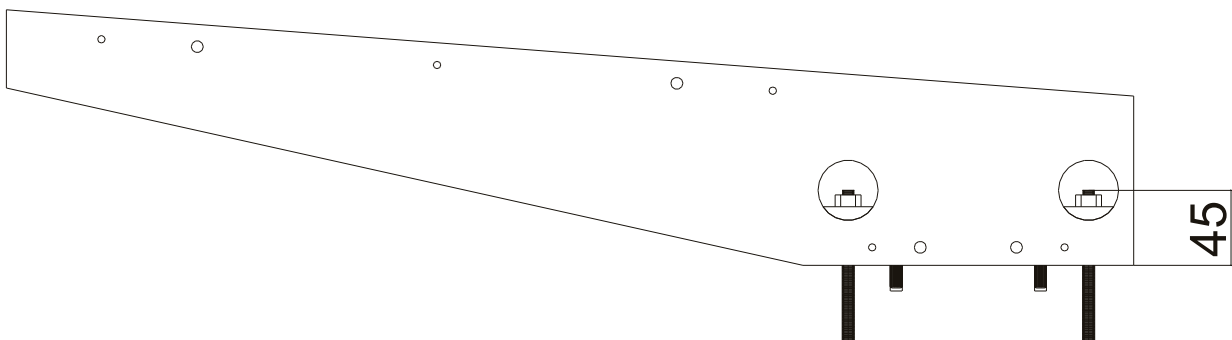
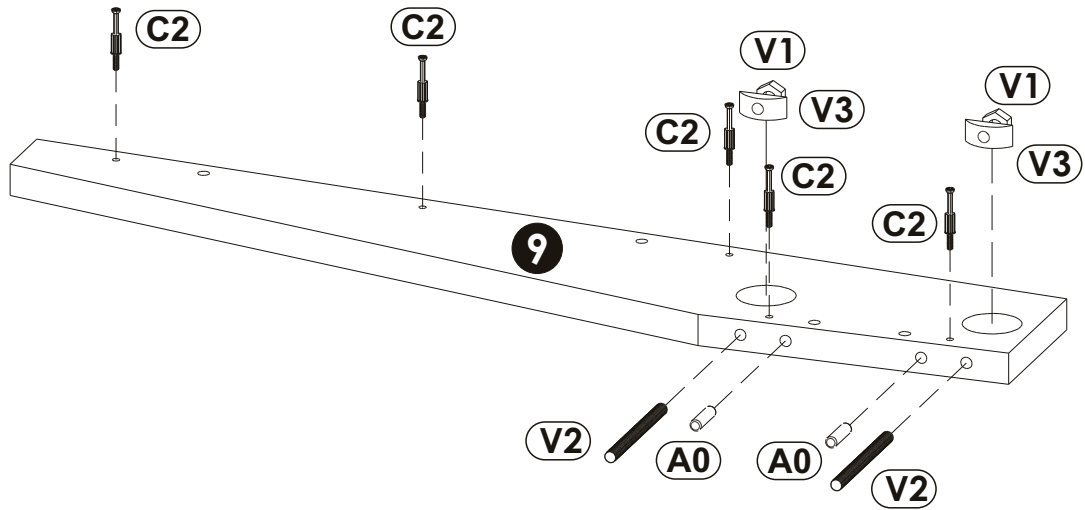
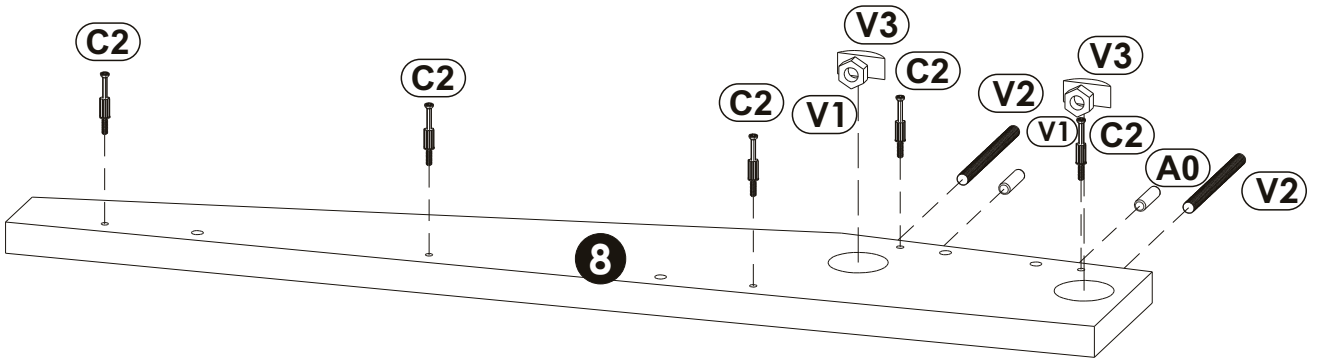
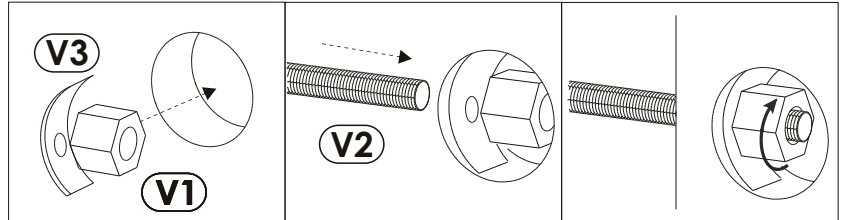
4 x 20 mm

**x16**





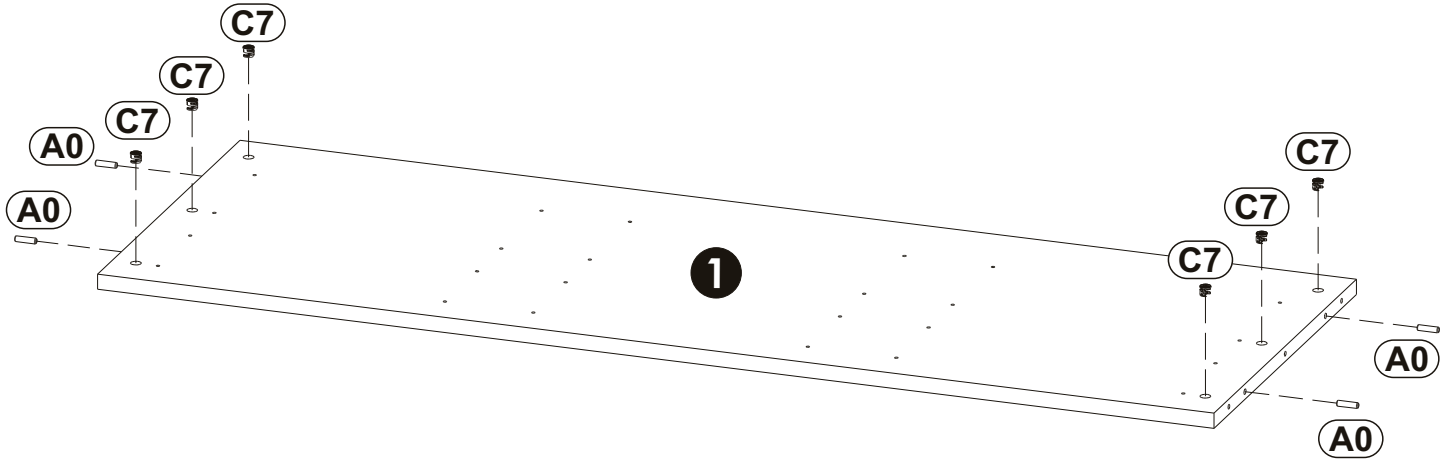
# 8

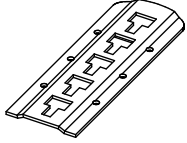


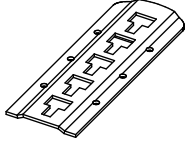
<b>(A0)</b> 8 x 30mm 	<b>(C2)</b> 	<b>(KV)</b> 
<b>(V1)</b> M6 	<b>(V2)</b> 	<b>(V3)</b> 

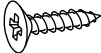


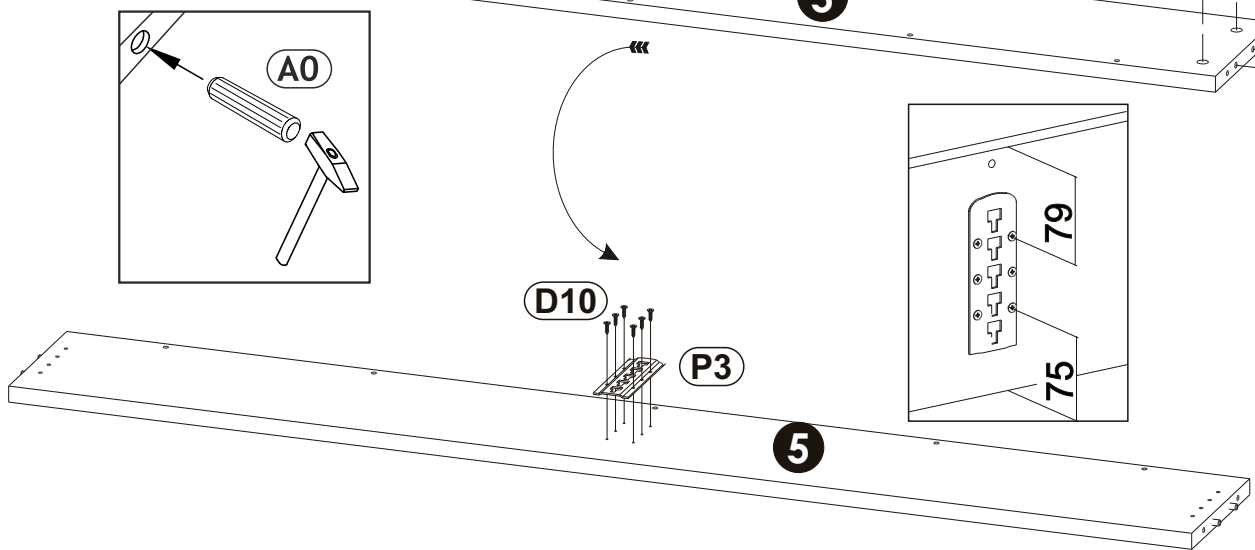
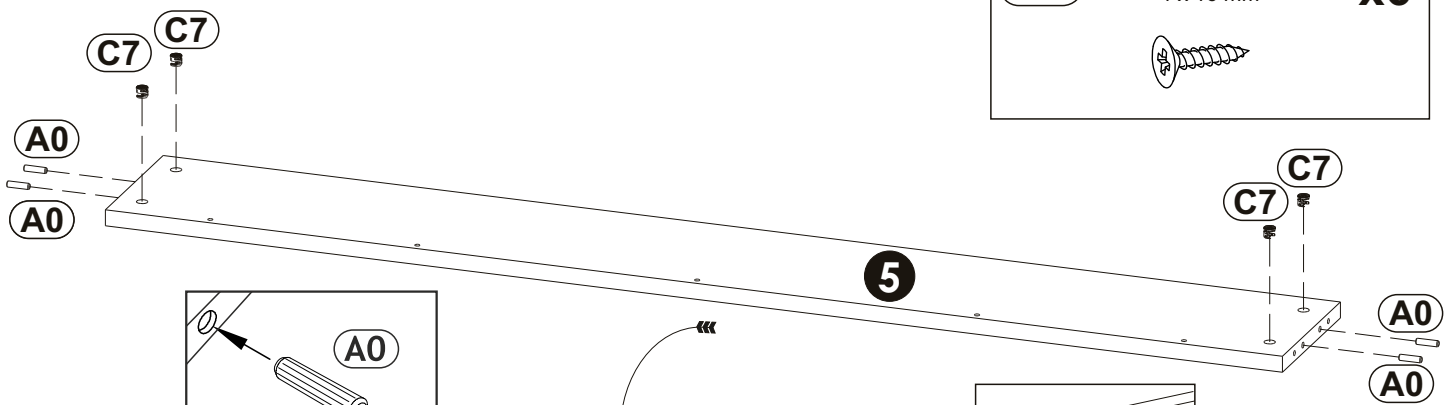


<b>9</b>	<b>A0</b>	8 x 30mm	<b>x4</b>	<b>C7</b>	16mm	<b>x6</b>
						

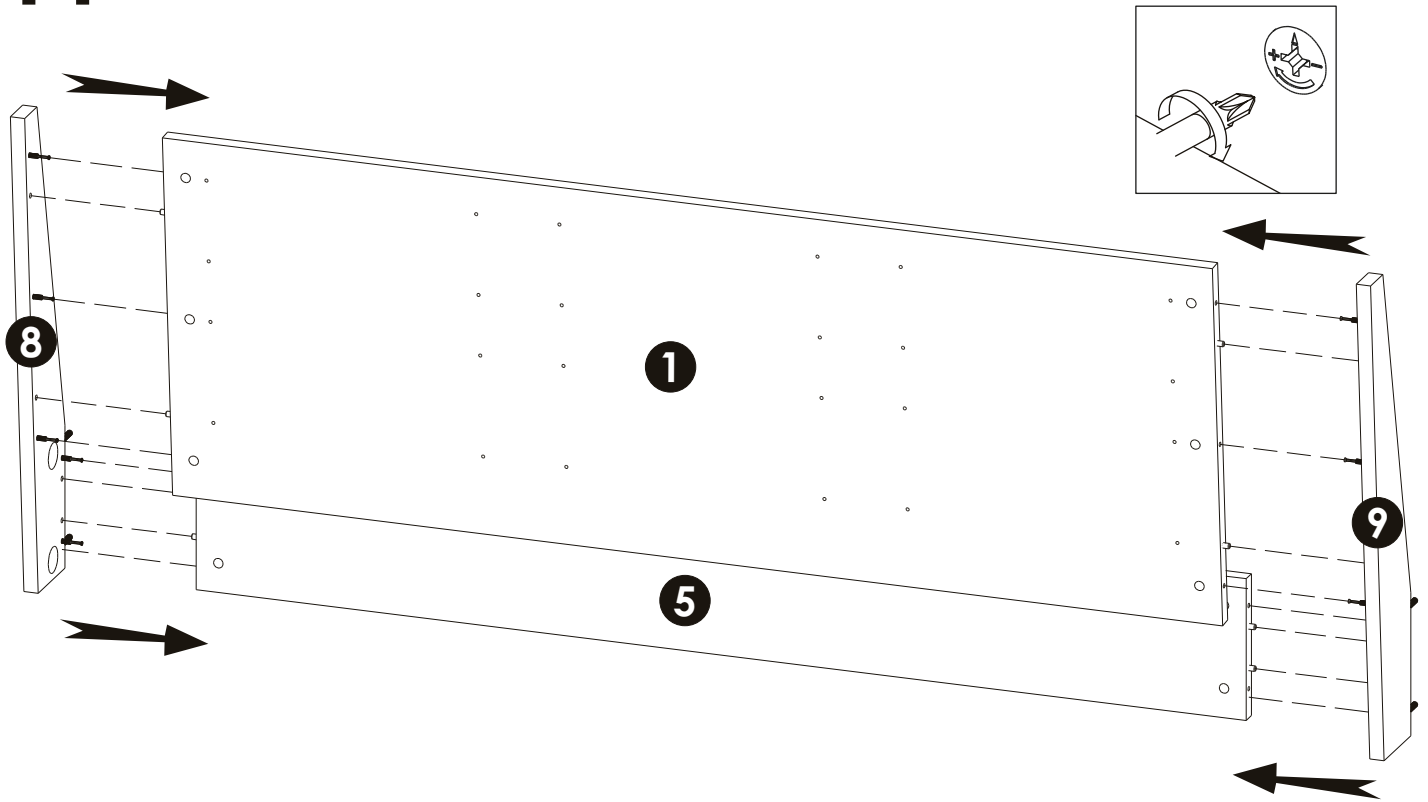


<b>10</b>	<b>A0</b>	8 x 30mm	<b>x4</b>	<b>C7</b>	16mm	<b>x4</b>	<b>P3</b>		<b>x1</b>
									

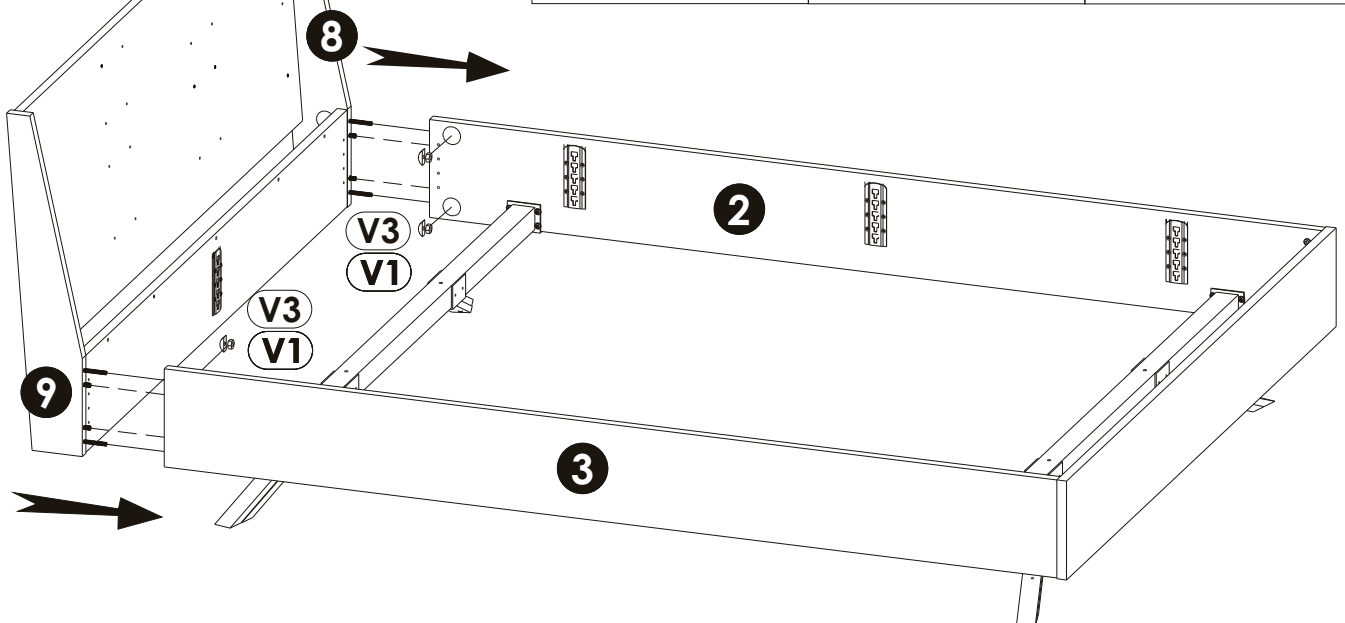
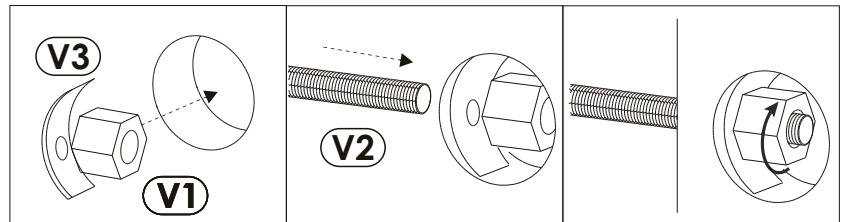
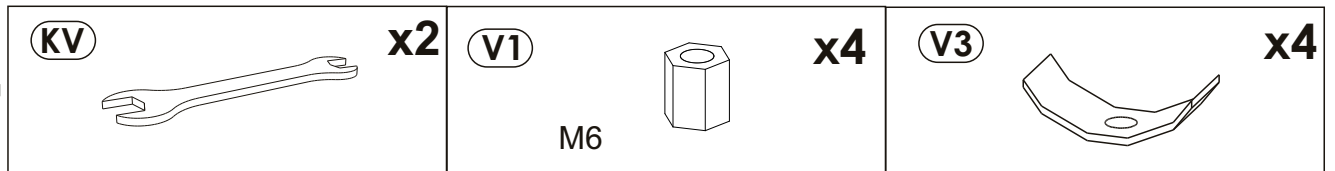
<b>D10</b>	4 x 16 mm	<b>x6</b>
		




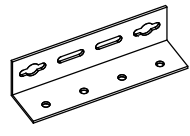
# 11

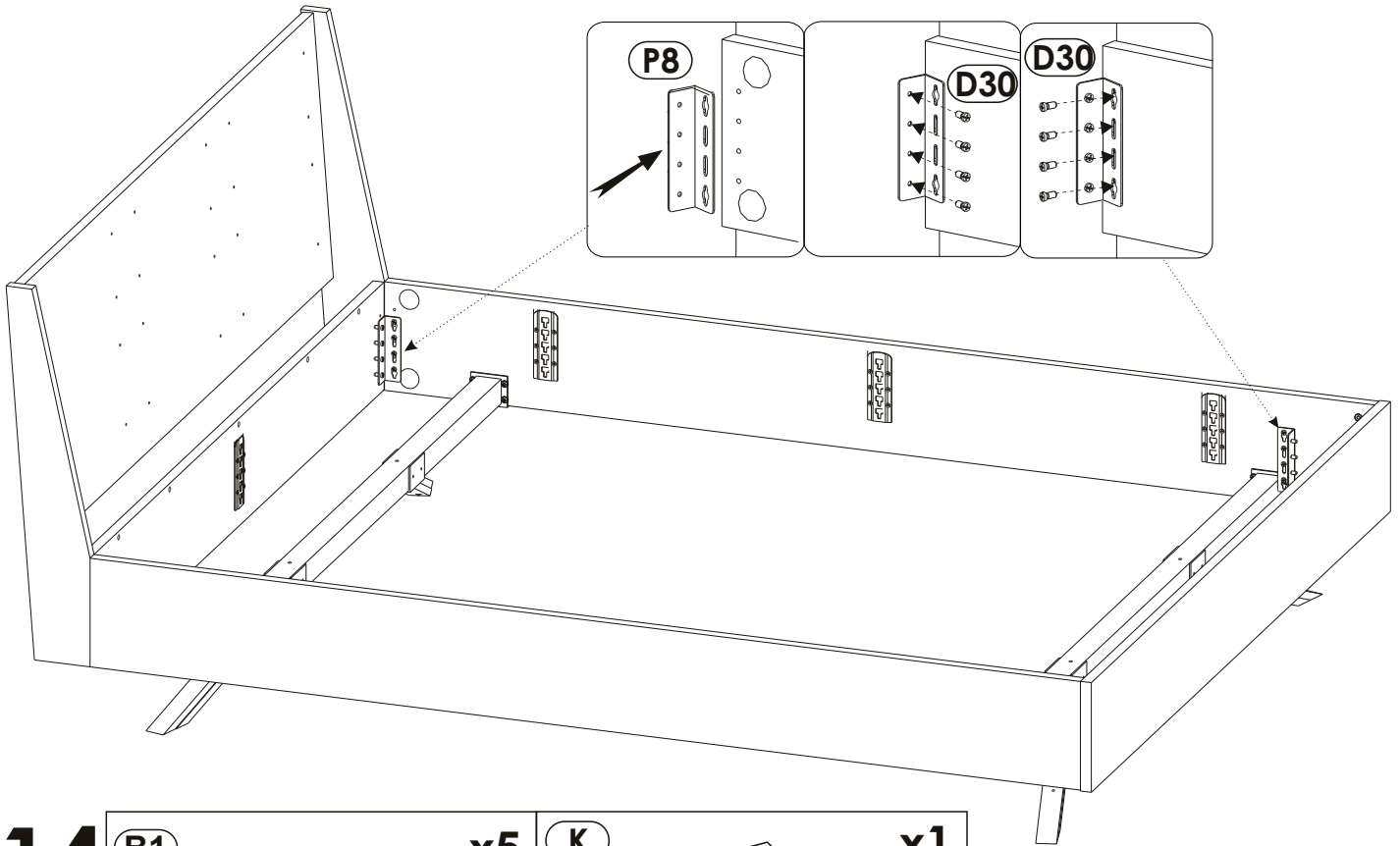
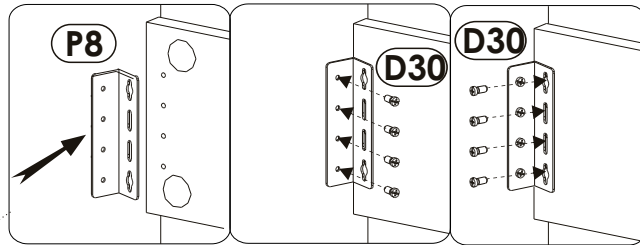


# 12

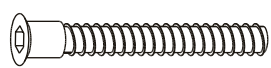
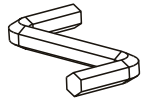


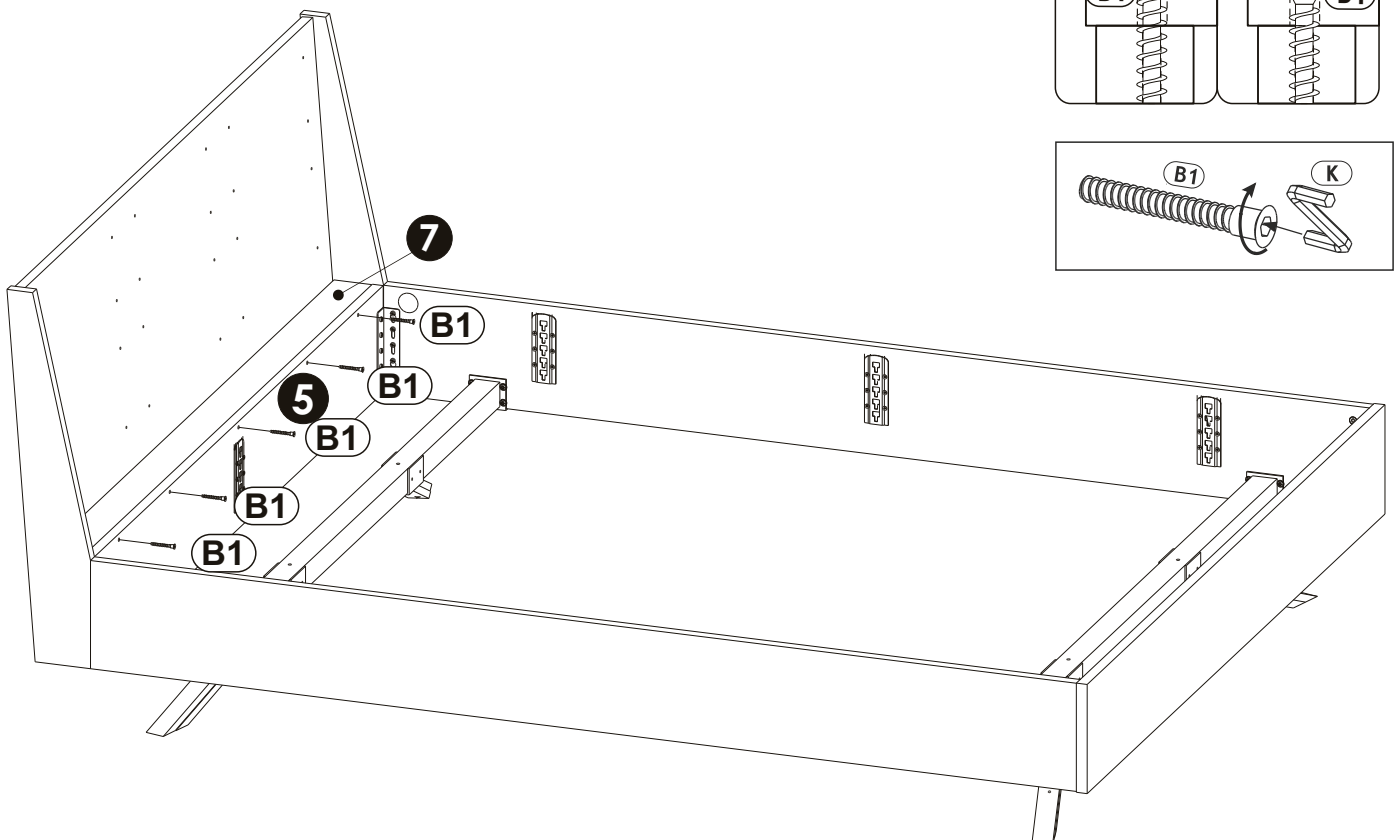
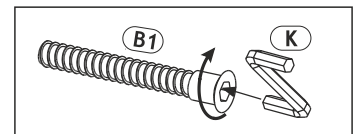
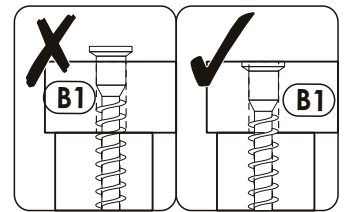
# 13

<b>D30</b> EURO 6,3 x 13 mm 	<b>x32</b>	<b>P8</b> 	<b>x4</b>
---	------------	--	-----------



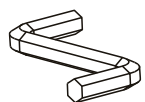
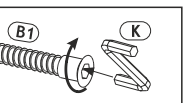
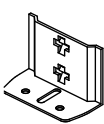
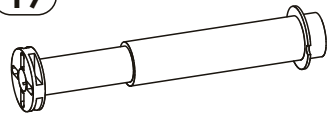


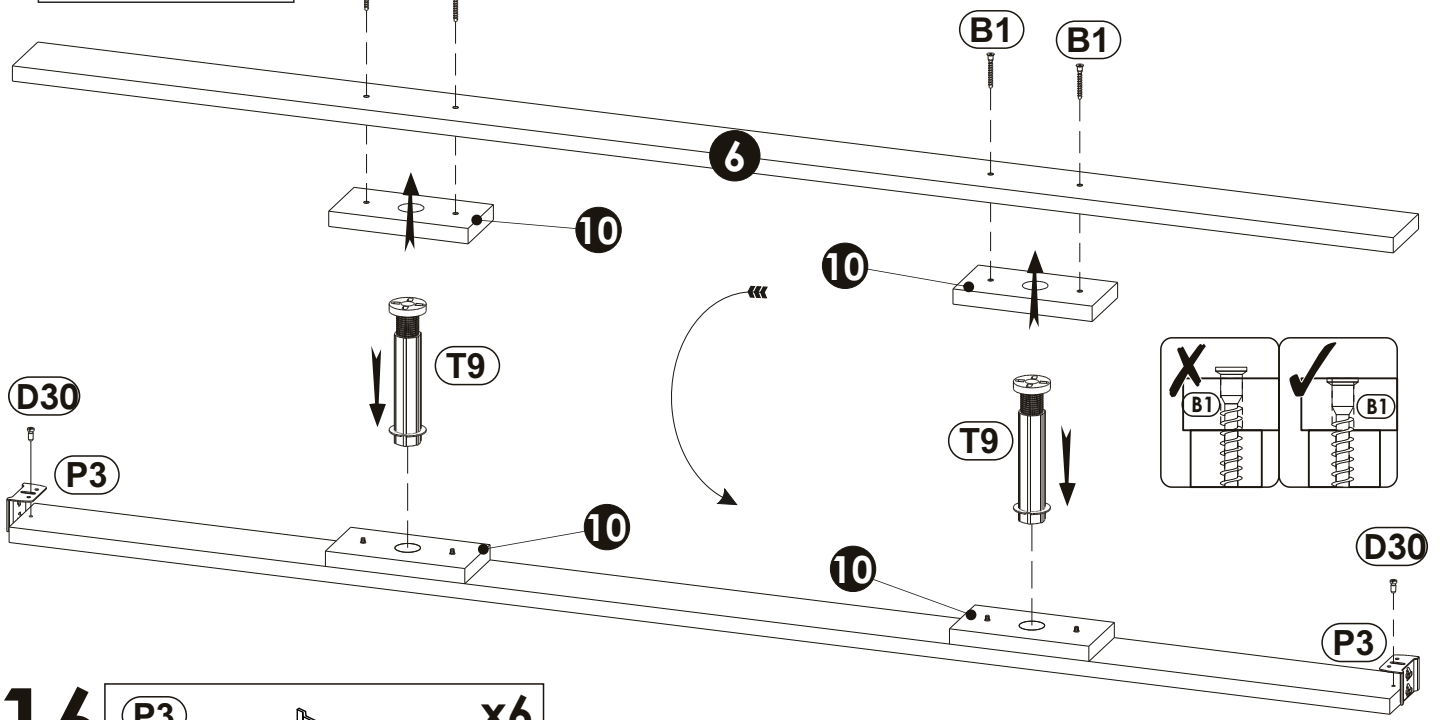
# 14

<b>B1</b> f 7 x 50 mm 	<b>x5</b>	<b>K</b> 4mm 	<b>x1</b>
---	-----------	--	-----------

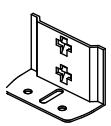


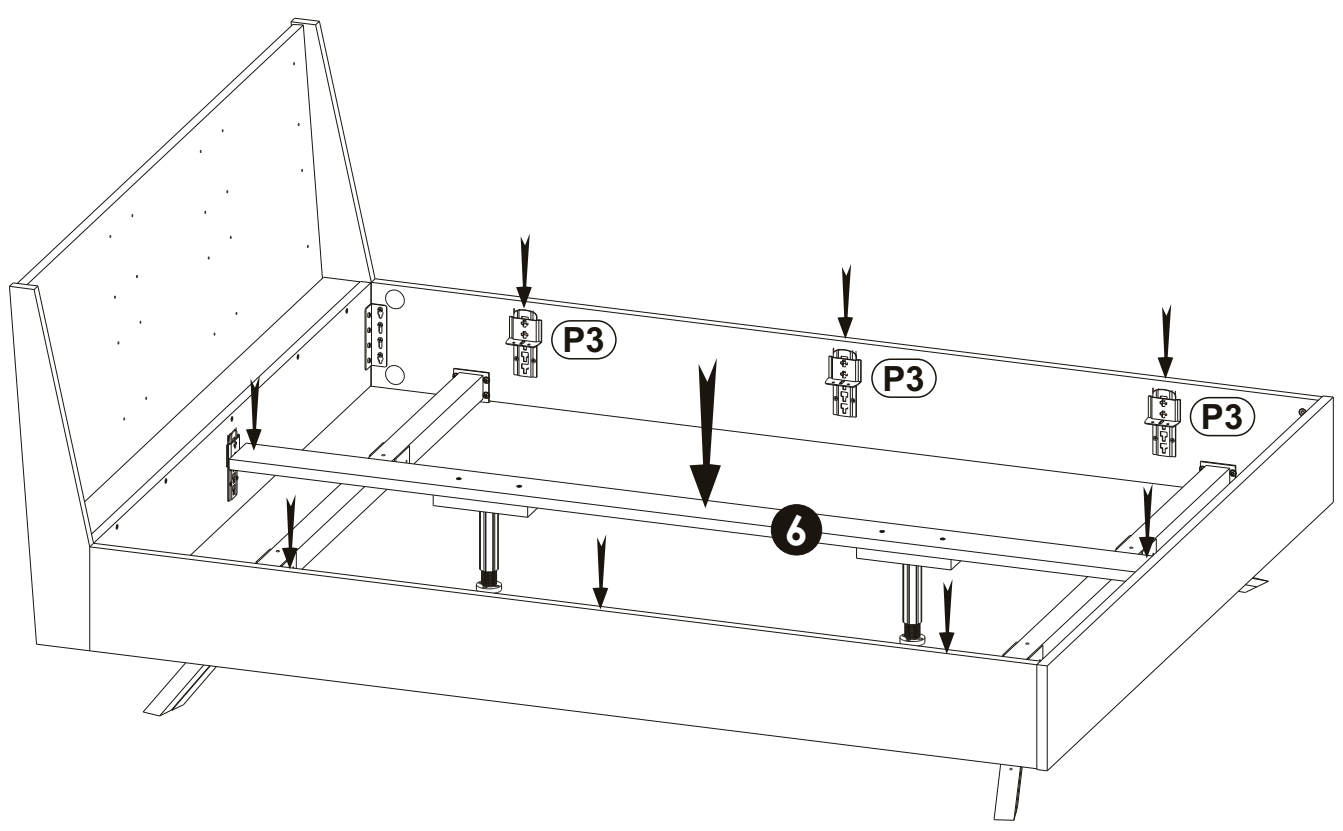
# 15

<b>(B1)</b> f 7 x 50 mm 	<b>x4</b> <b>(D30)</b> EURO 6,3 x 13 mm 	<b>x2</b> <b>(K)</b> 4mm 
	<b>x2</b> <b>(P3)</b> 	<b>x2</b> <b>(T9)</b> 



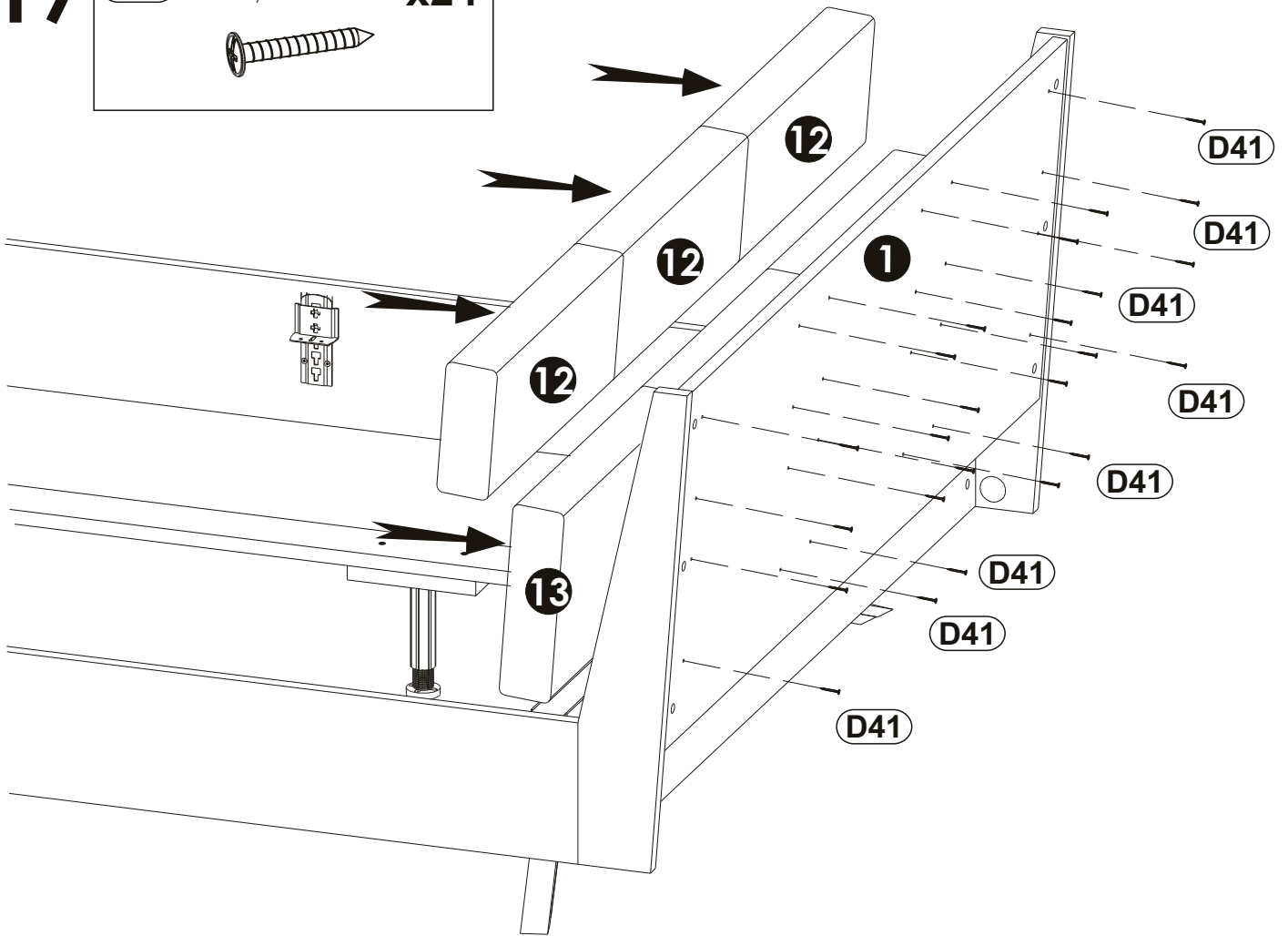
# 16

<b>(P3)</b> 	<b>x6</b>
--	-----------



# 17

**D41** 4,2 x 41 mm **x24**



# 18

**LOGO...** **x1**

