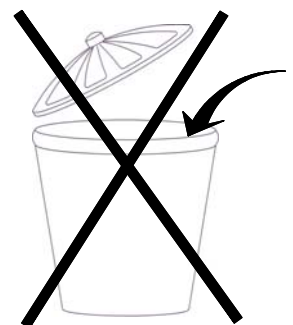
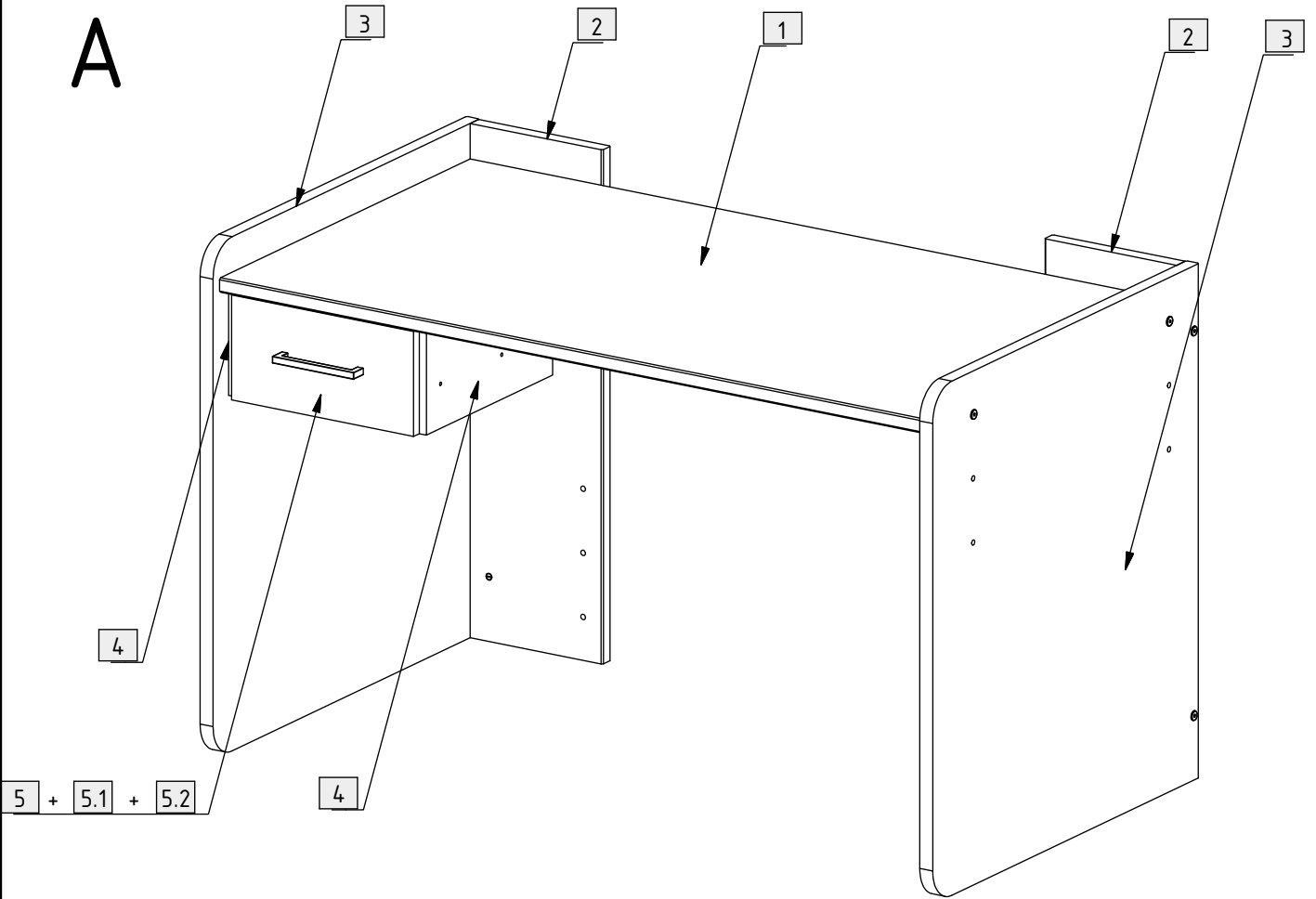


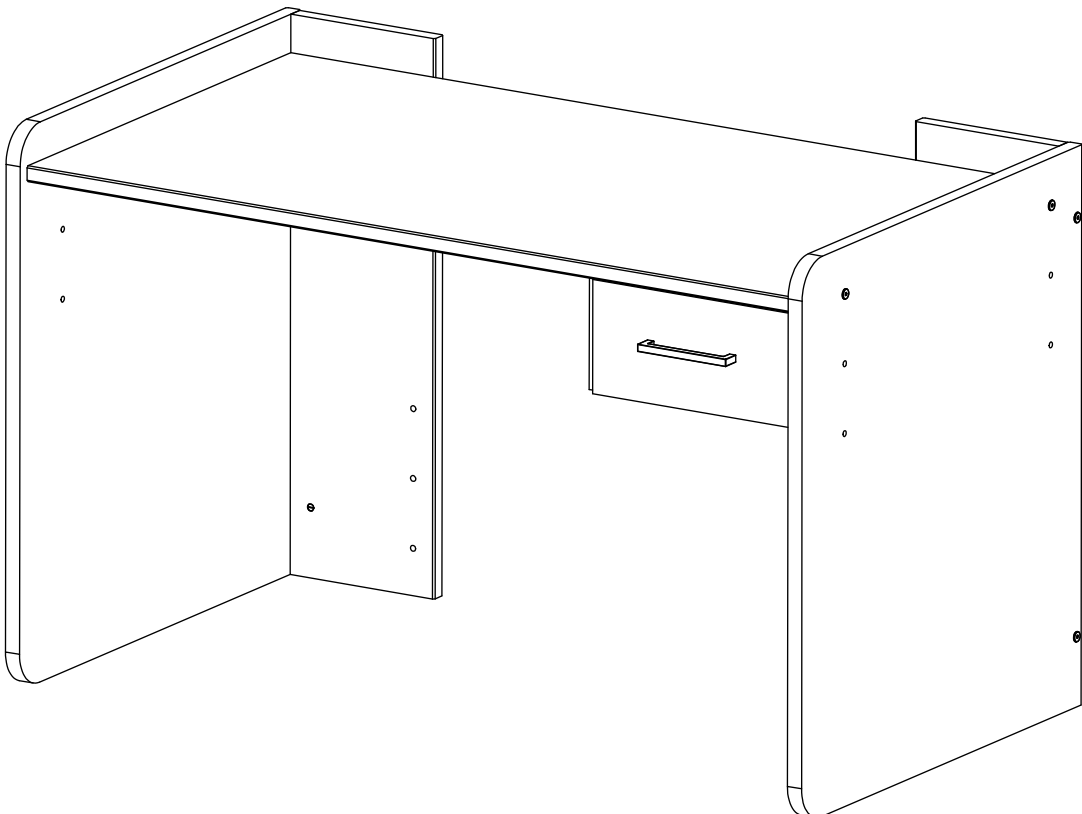
980919

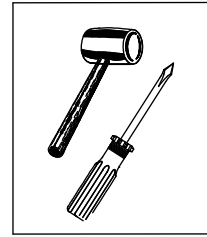
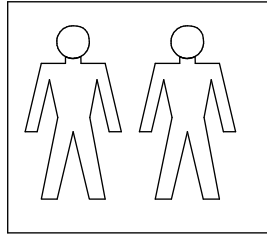


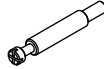



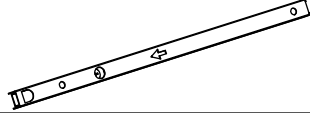

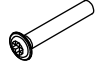
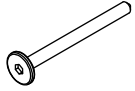
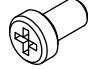
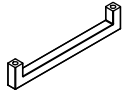

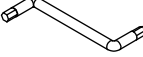

A

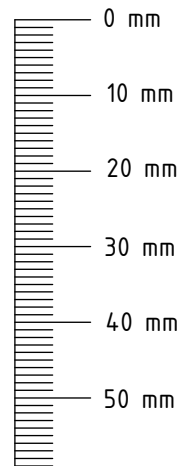


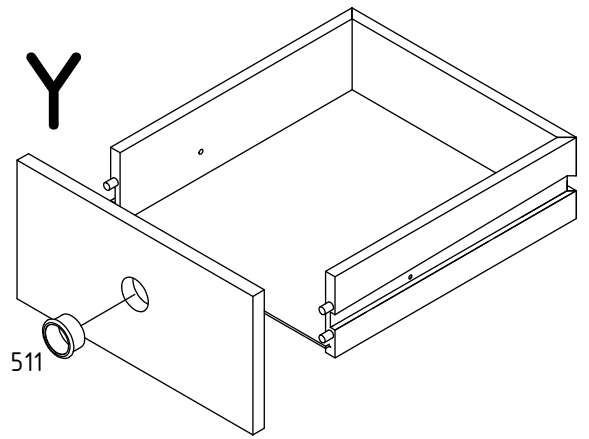
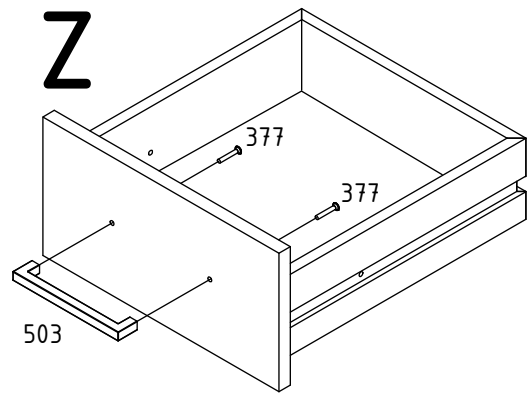
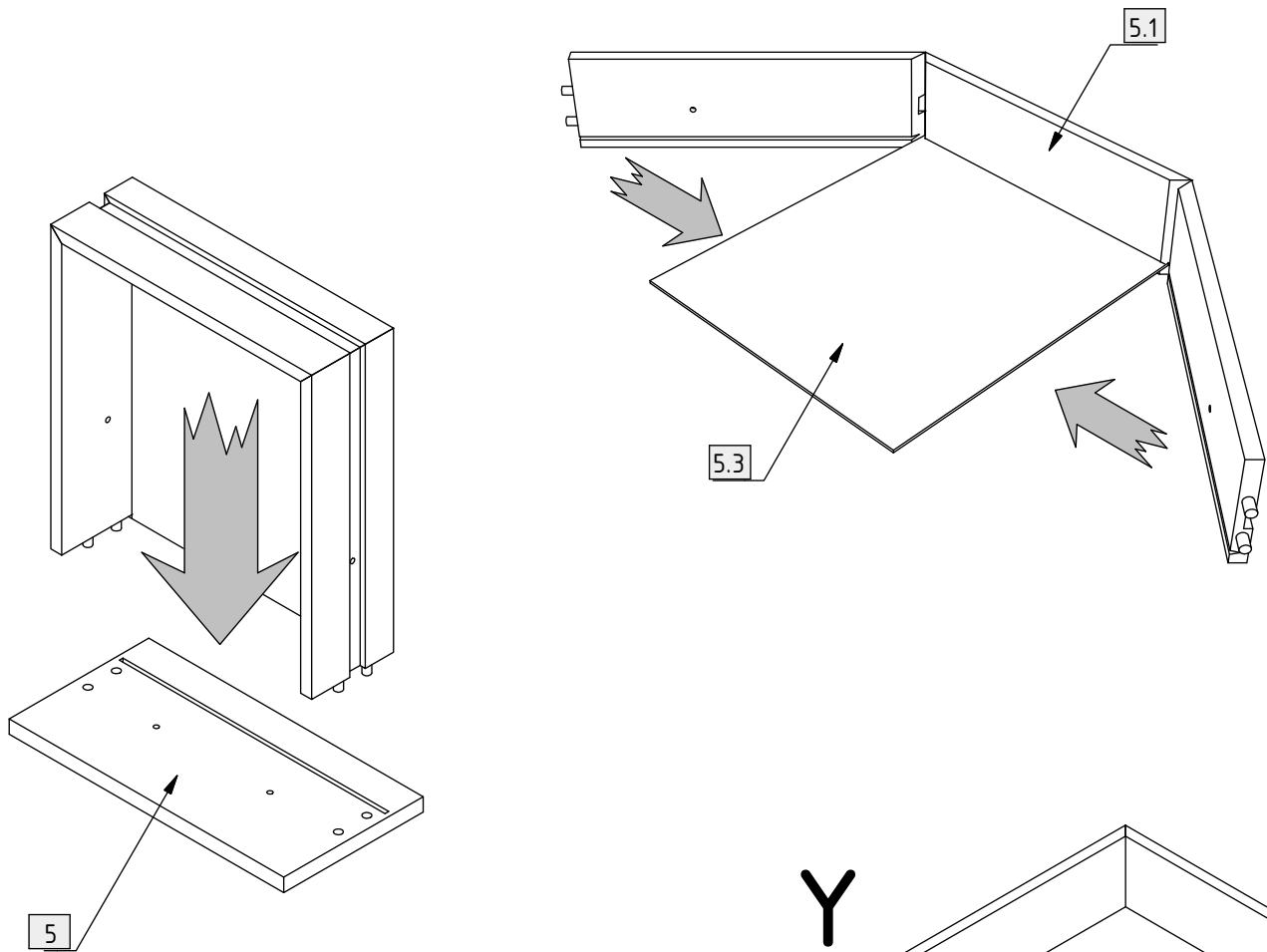
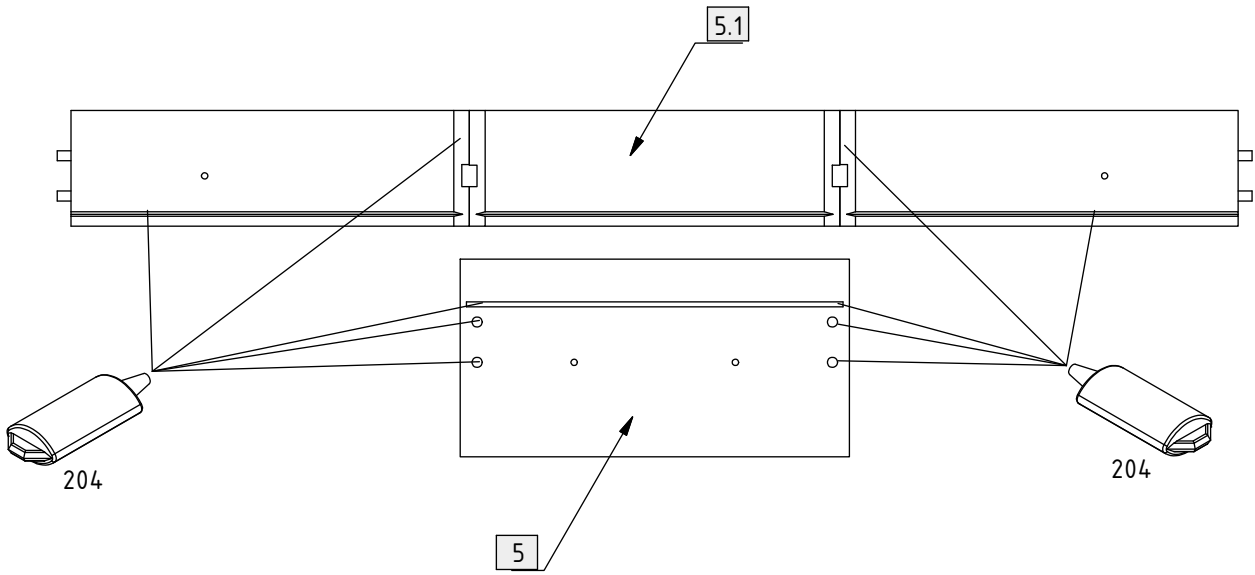
B



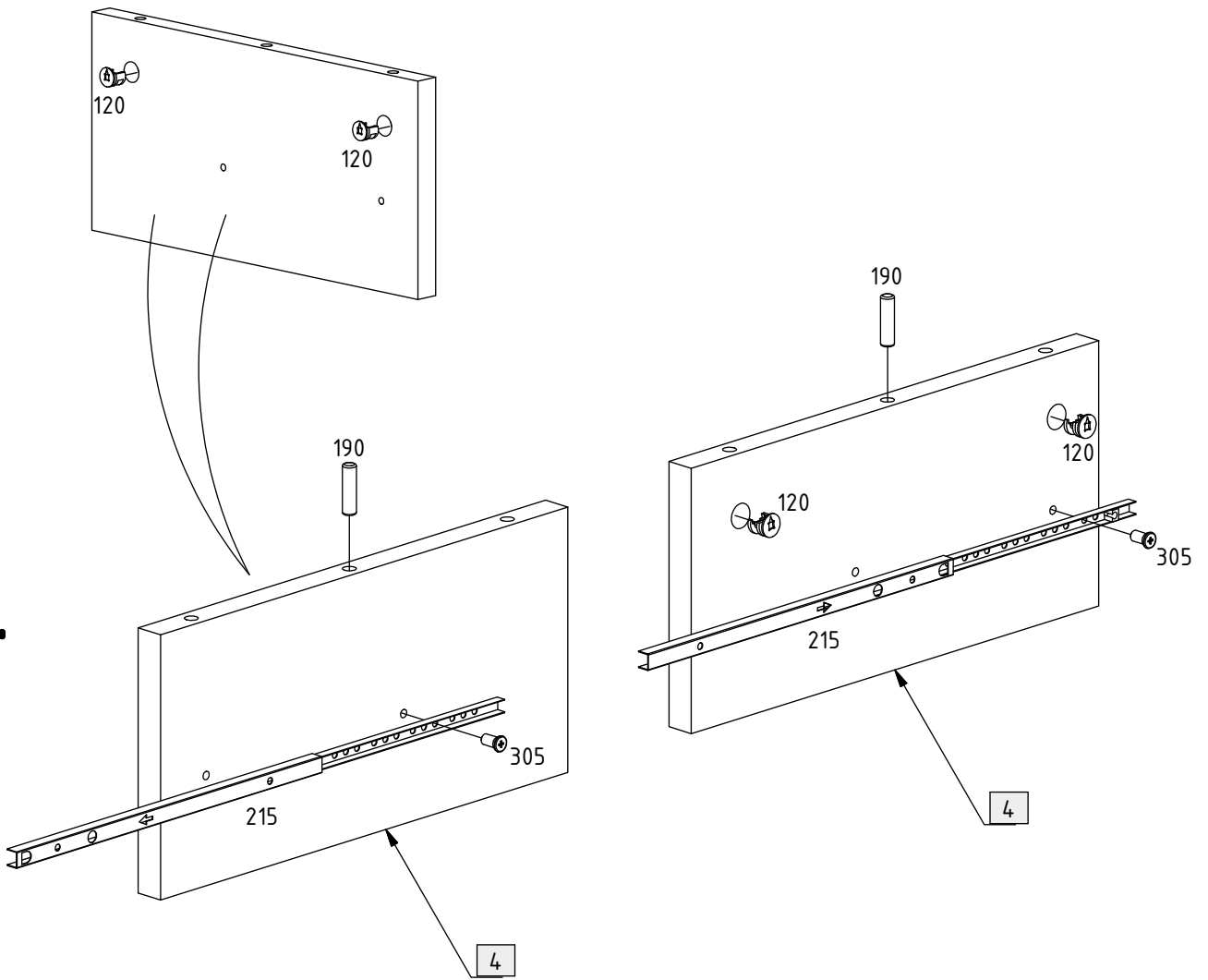


111	4		
120	4		
190	2		∅ 8 x 30 mm
204	1		
215	2		
305	4		6 x 9 mm
377	2	Z 	4 x 25 mm
402	10		M 6 x 60 mm
408	2		M 4 x 9 mm
503	1	Z 	
511	1	Y 	
715	1		
790	10		M6; D10 x 20 mm

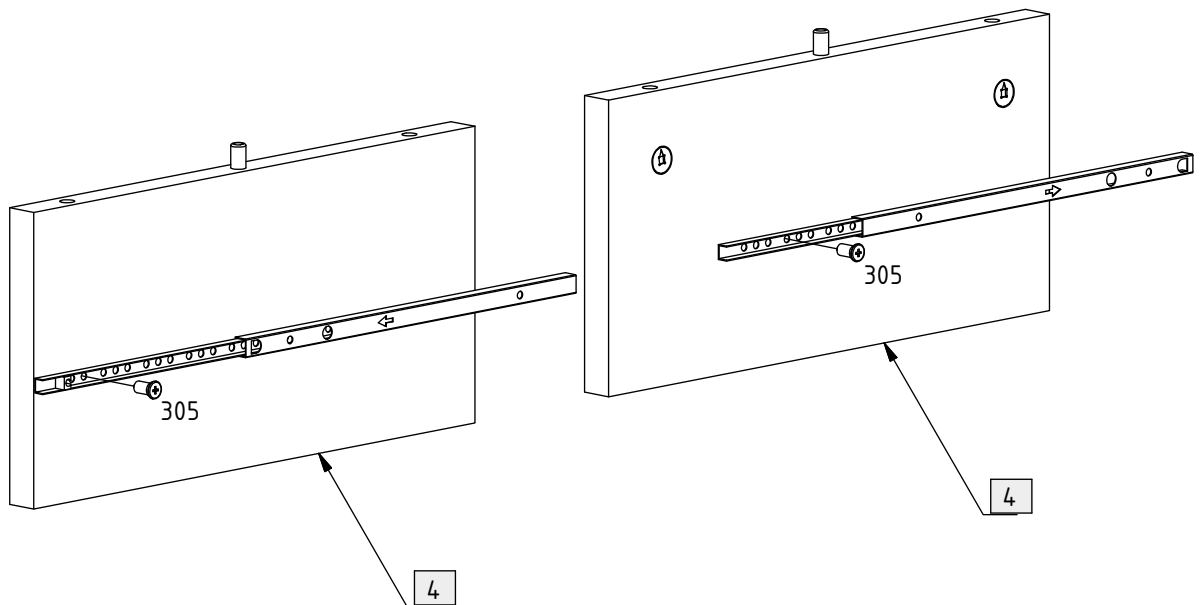




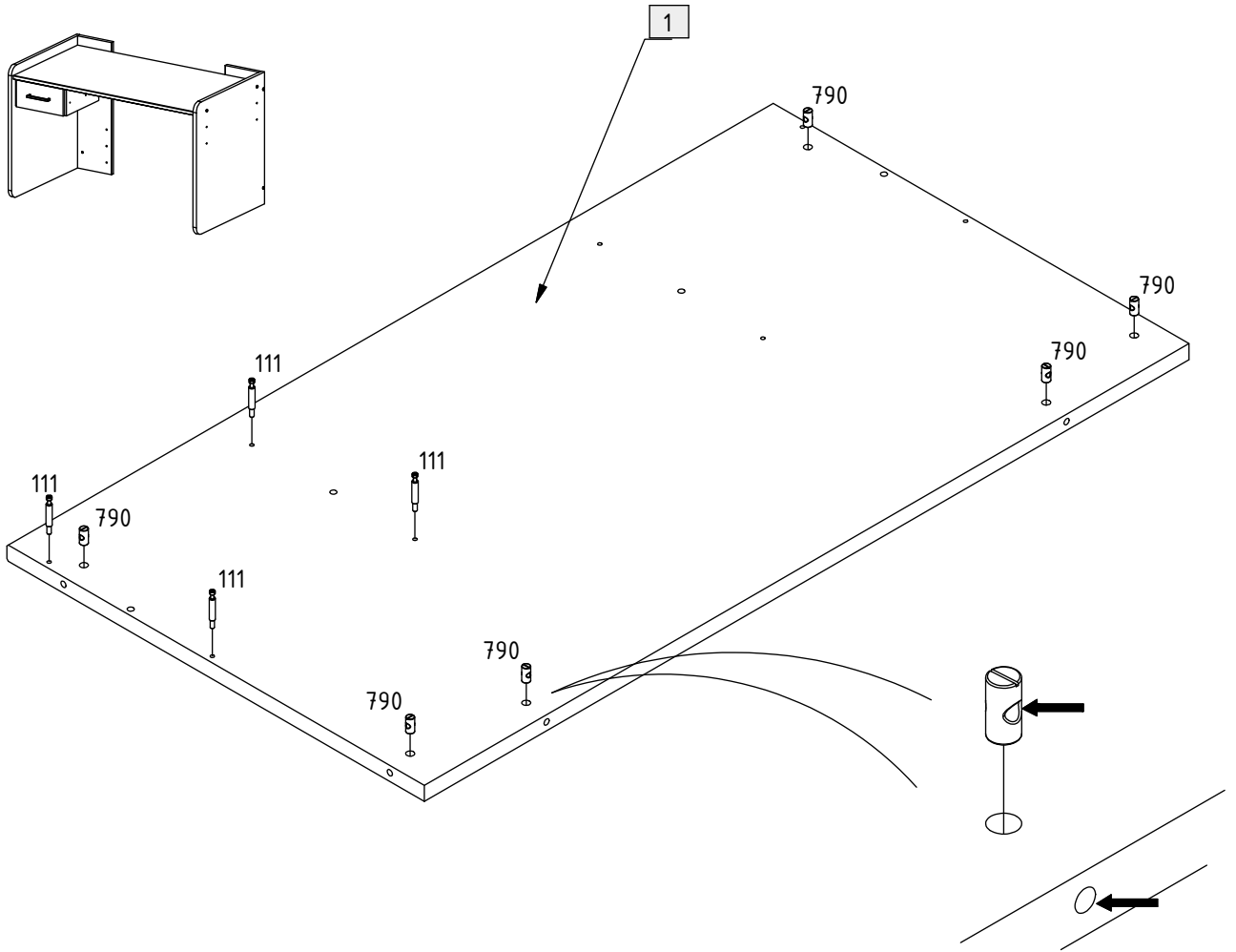
1.



2.



A



B

