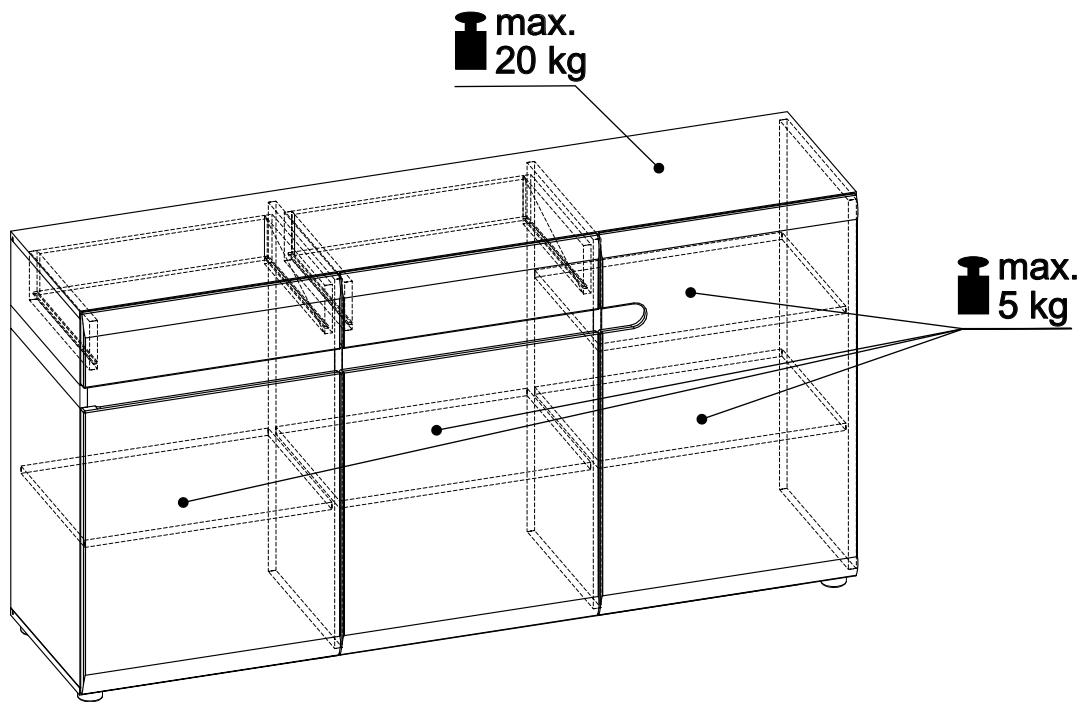


1803

LINATE LTK03



- 90 min.

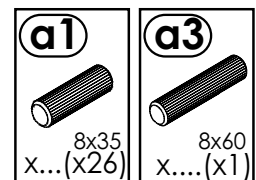
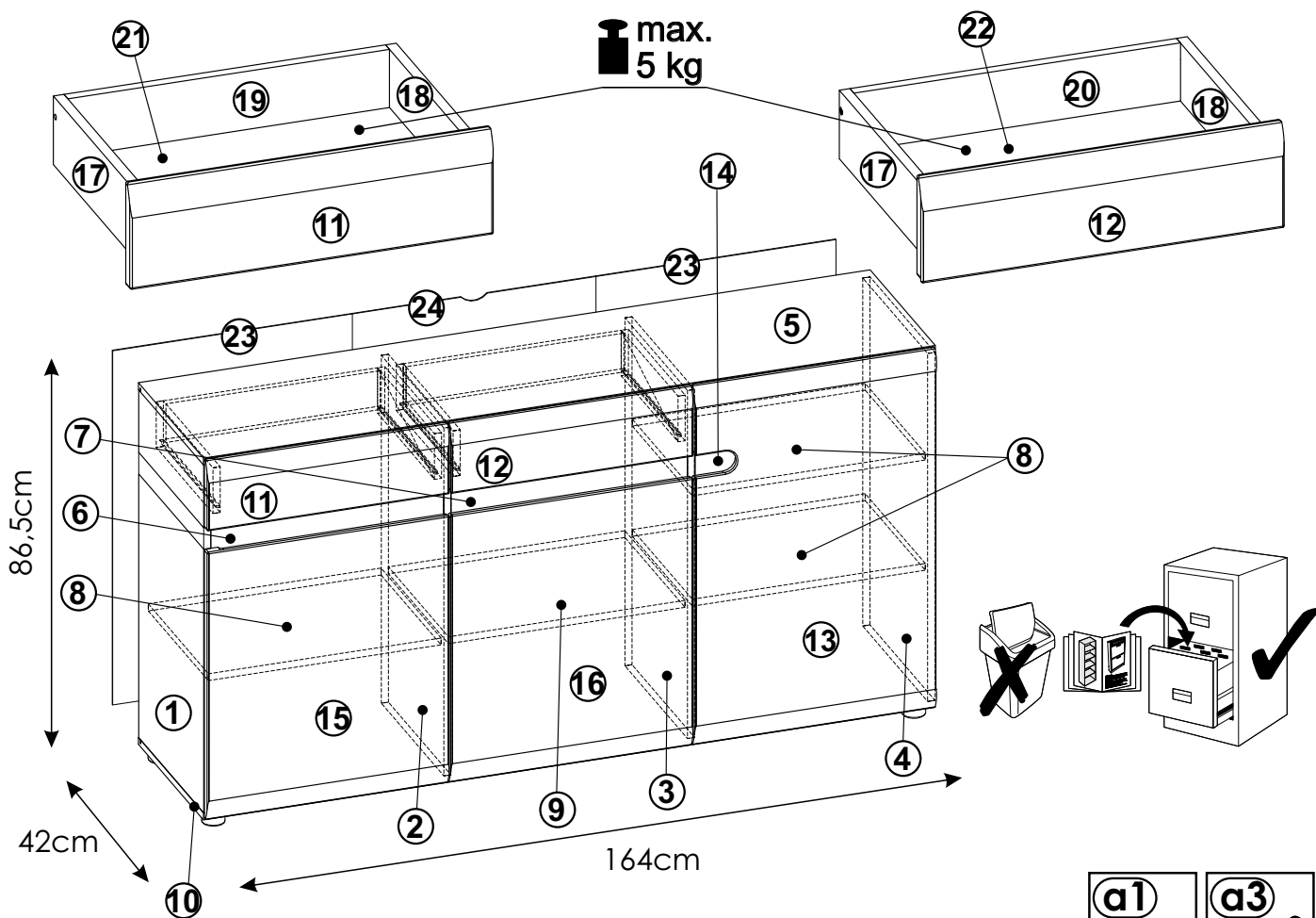


- | | | | |
|--------|--------|--------|--------|
| ① - C2 | ⑧ - C2 | ⑮ - C1 | ⑳ - C1 |
| ② - C2 | ⑨ - C1 | ⑯ - C1 | ㉑ - C1 |
| ③ - C2 | ⑩ - C2 | ⑰ - C1 | ㉒ - C1 |
| ④ - C2 | ⑪ - C1 | ⑱ - C1 | |
| ⑤ - C2 | ⑫ - C1 | ⑲ - C1 | |
| ⑥ - C1 | ⑬ - C1 | ⑳ - C1 | |
| ⑦ - C1 | ⑭ - C1 | ㉓ - C1 | |

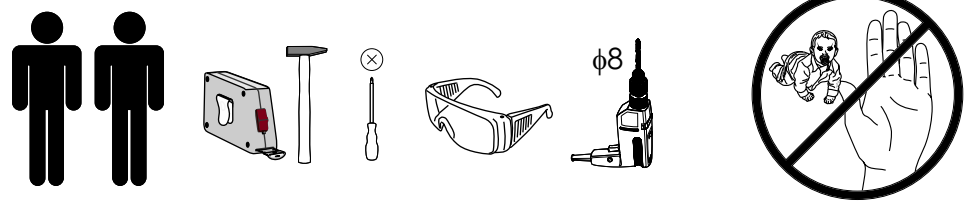


1803

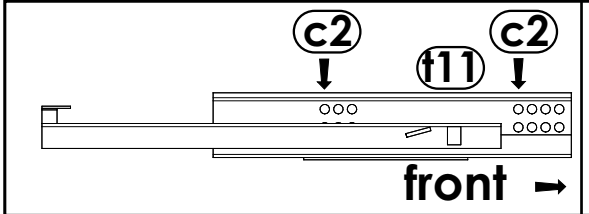
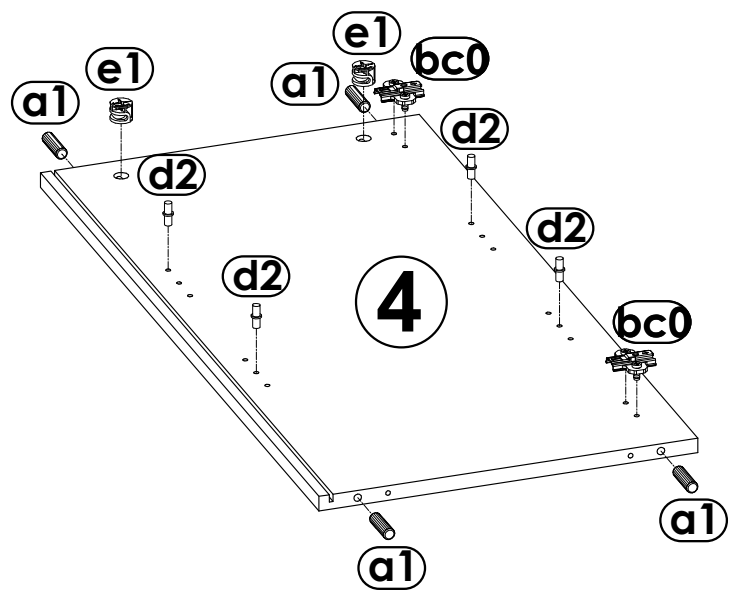
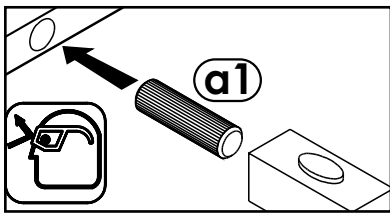
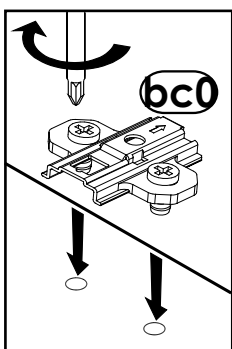
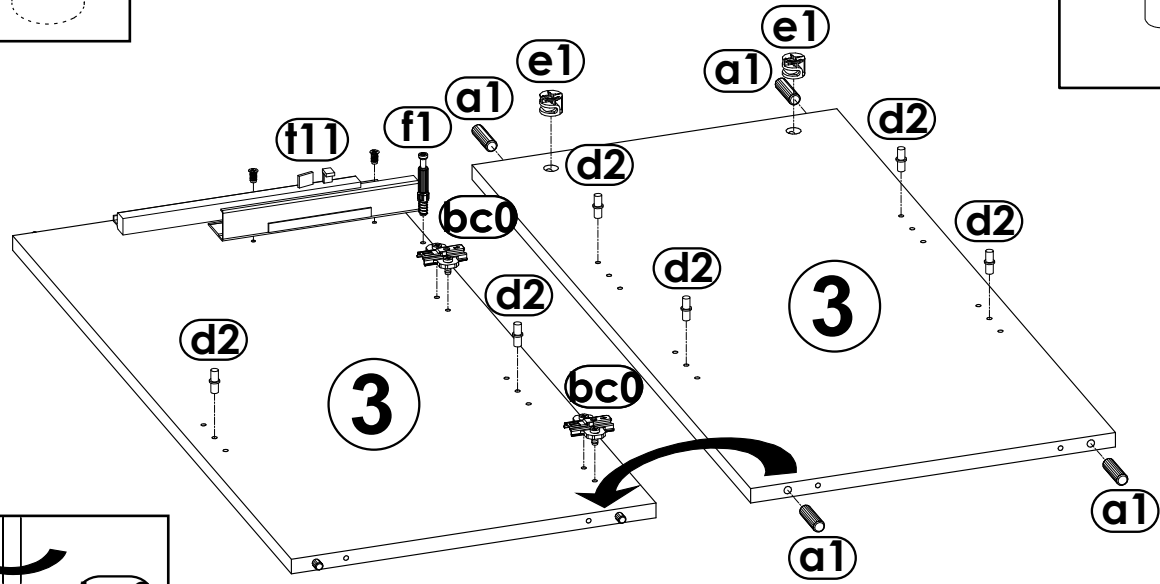
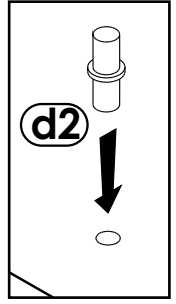
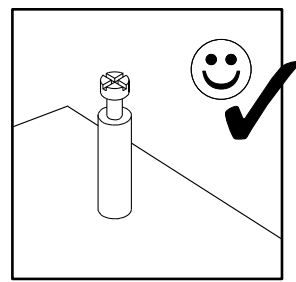
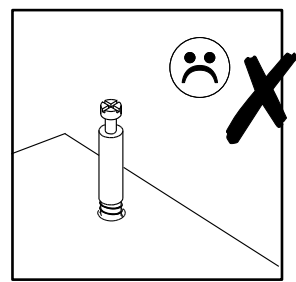
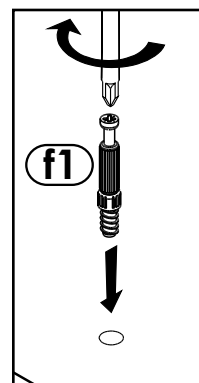
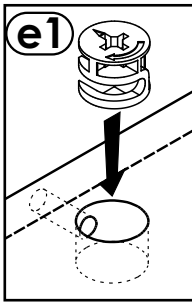
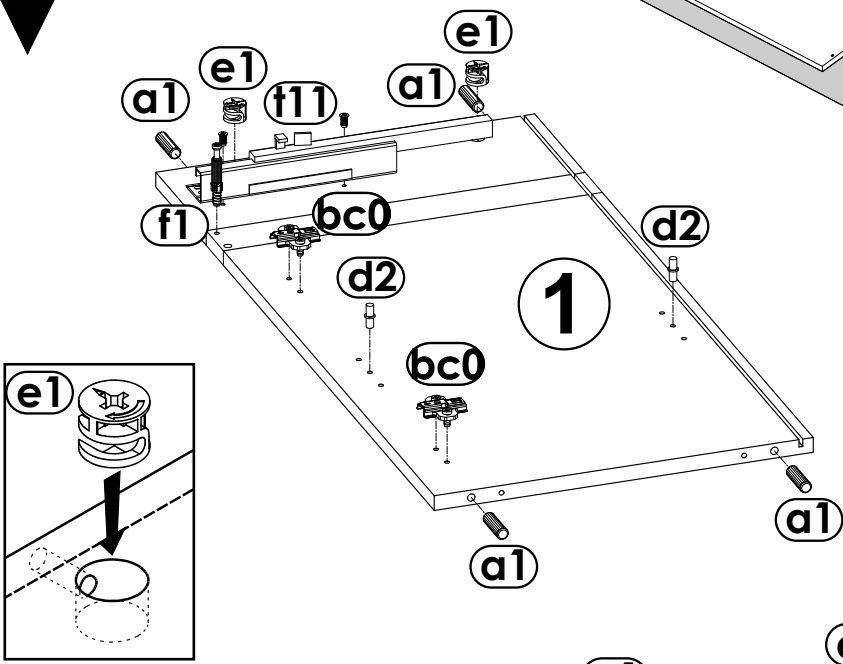
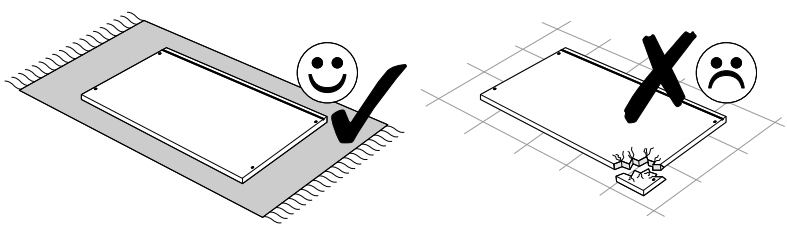
LINATE LTK03

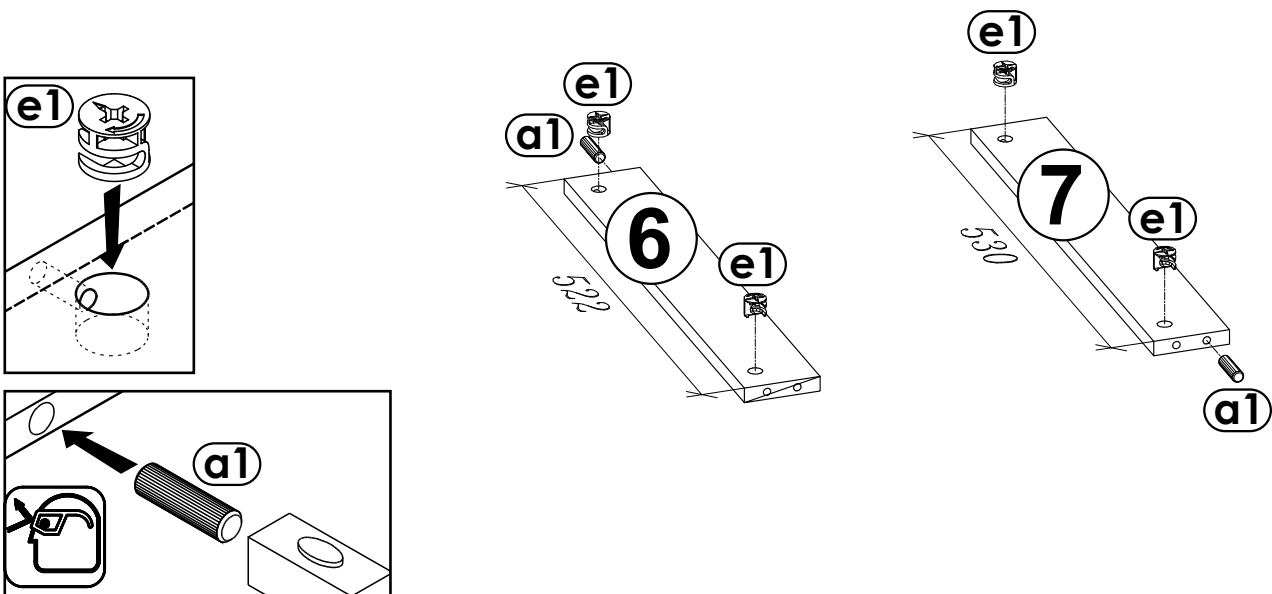
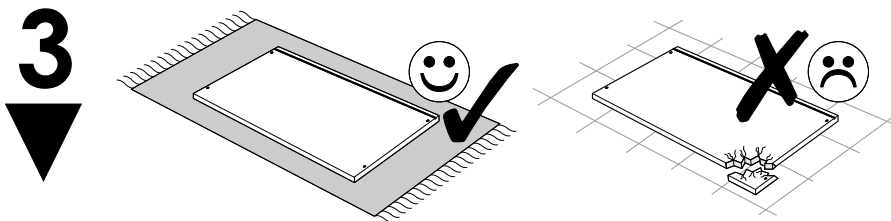
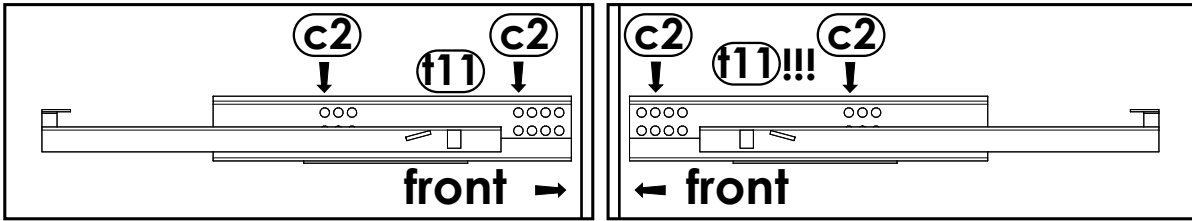
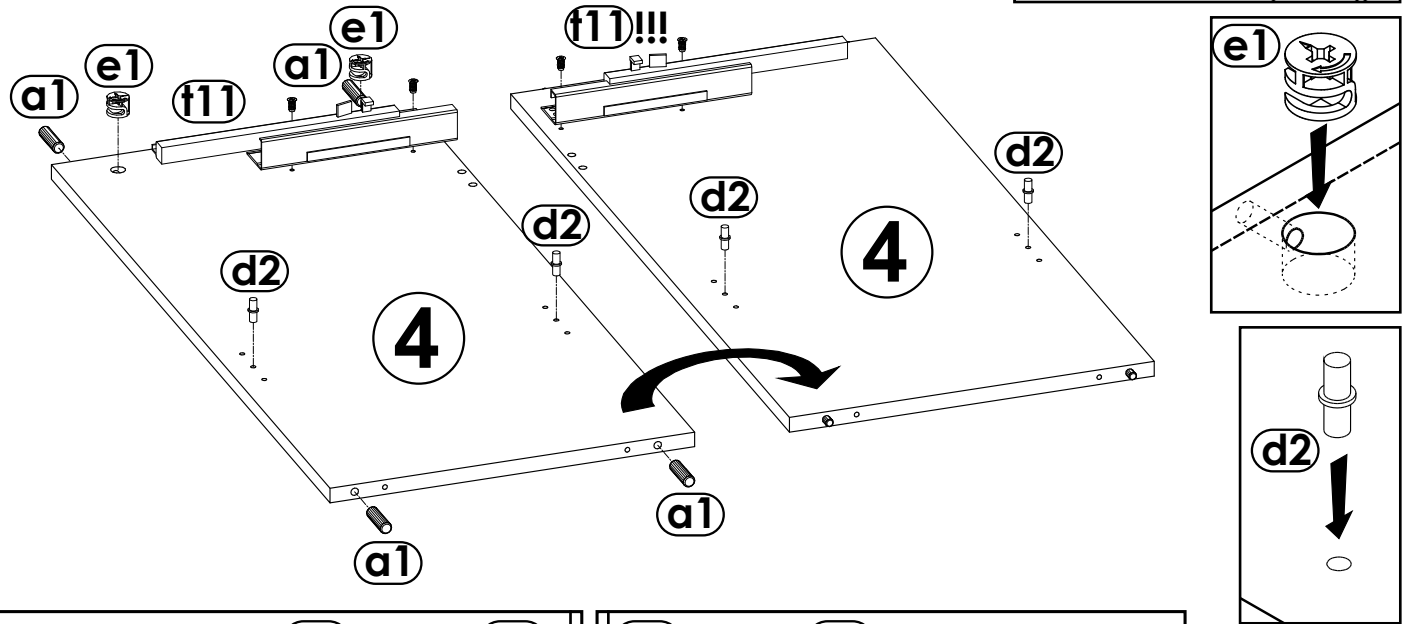
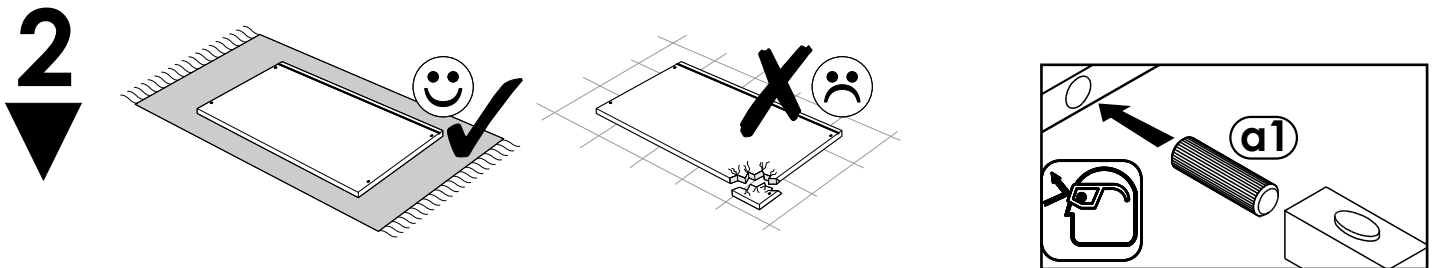


bc0 x....(x6)	bc1 x....(x4)	bc2 x....(x2)	bc5 x....(x3)	c1 Euro 4x13 x...(x12)	c2 Euro 5x13 x....(x8)	d2 x...(x16)			
e0 WEISS x....(x4)	e0 SONOMA DUNKEL x....(x12)	e1 x... (x16)	f1 x... (x14)	f3 x.... (x1)	g0 WEISS x.... (x8)	g0 SONOMA DUNKEL x.... (x4)	g1 7x50 x... (x12)	i2 4x16 x.... (x1)	i10 3,5x22 x.... (x6)
j6 4x30 x.... (x4)	m x.... (x1)	n1 3x16 x... (x20)	o15 x.... (x6)	q9 x.... (x1)	r1 x... (x10)	r4 x... (x16)	f11 L-360 x.... (x2)		

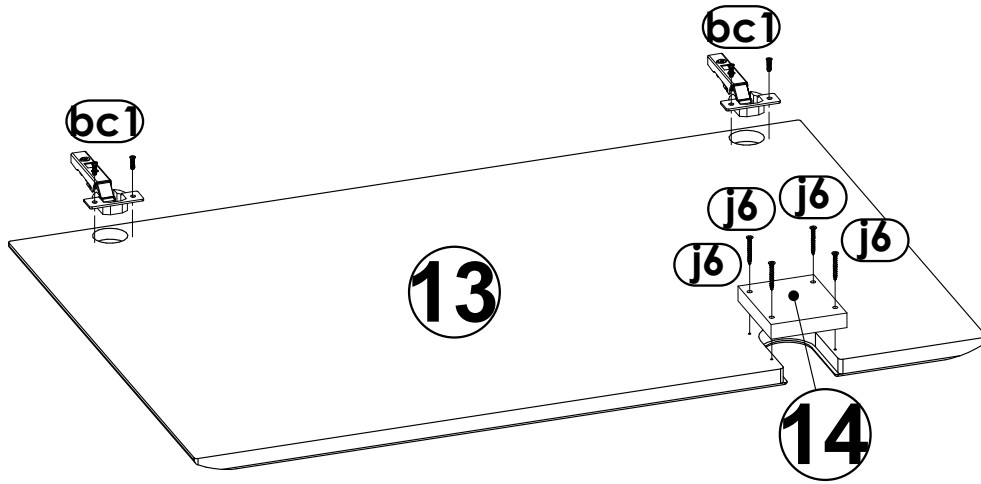
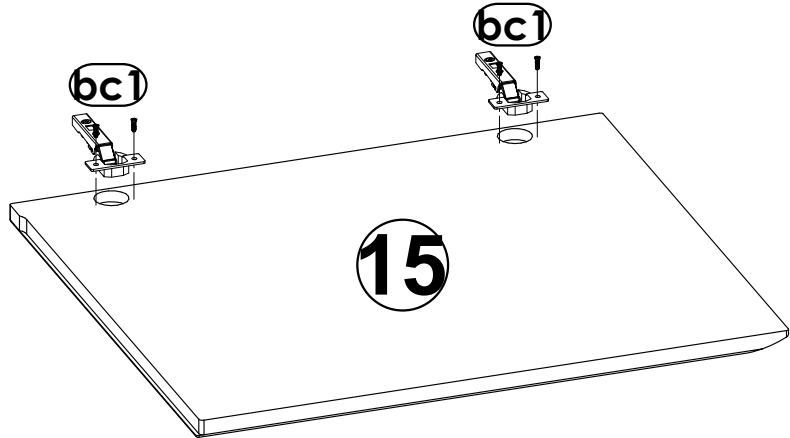
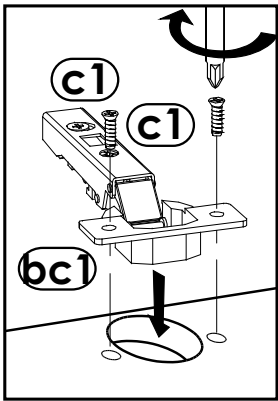
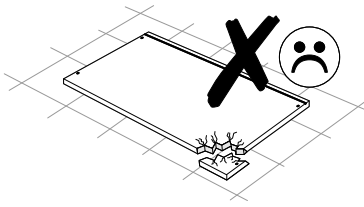
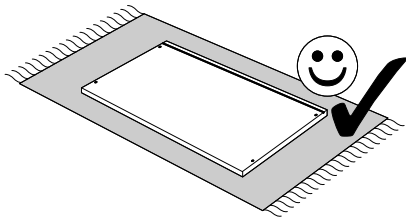


1
↓

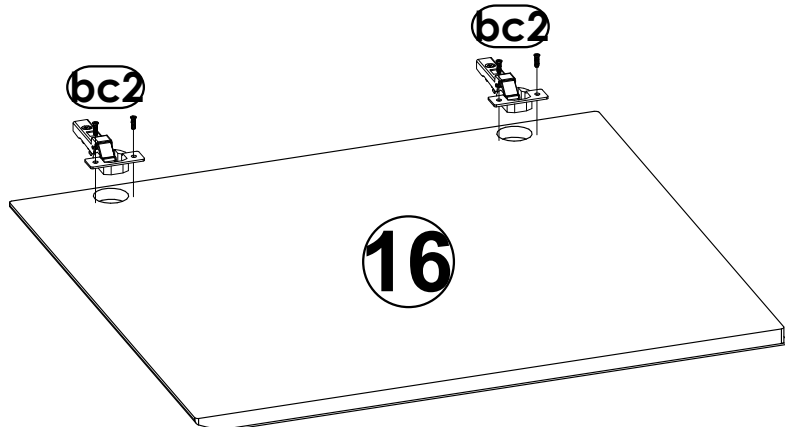
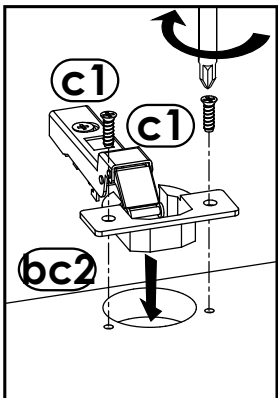
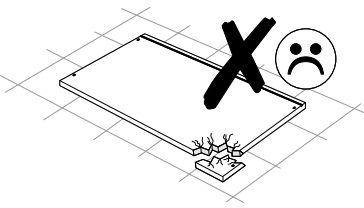
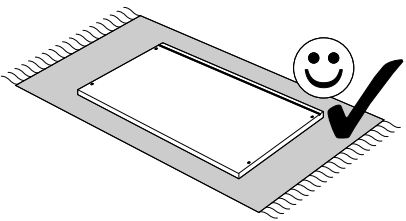




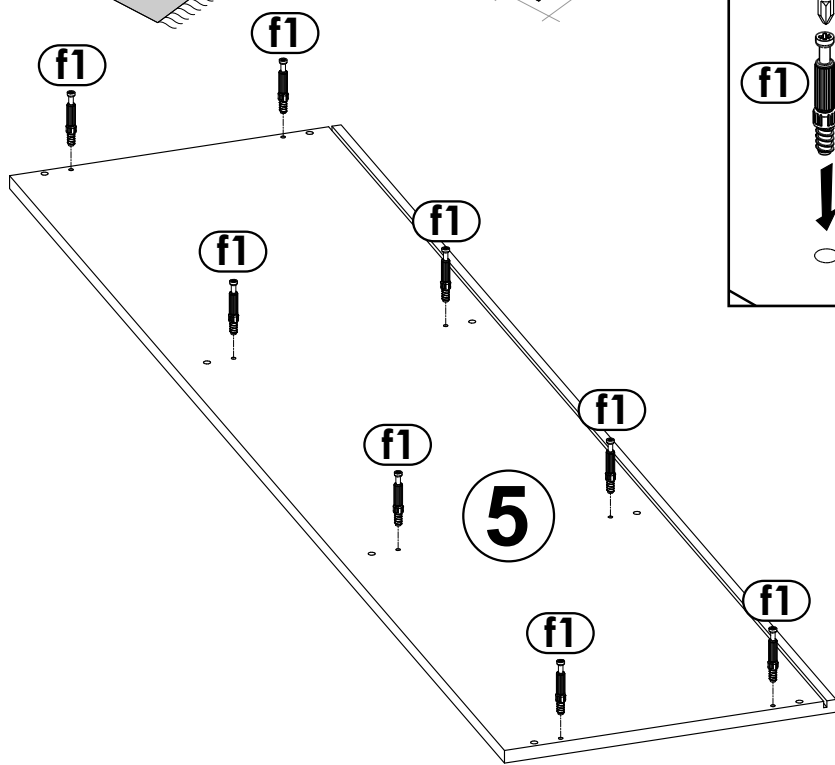
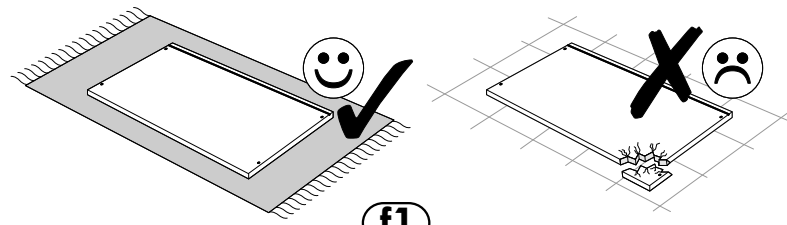
4
▼



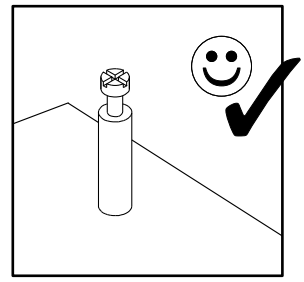
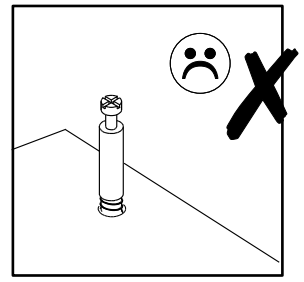
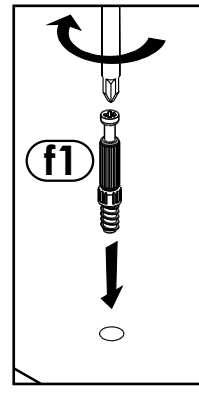
5
▼



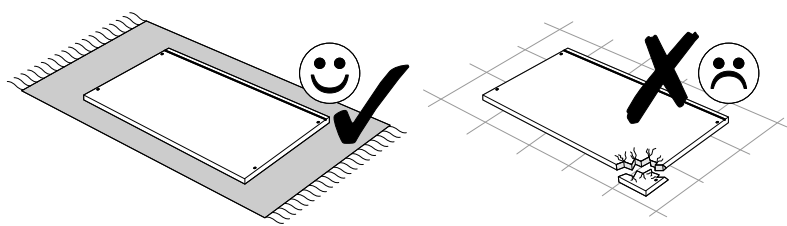
6



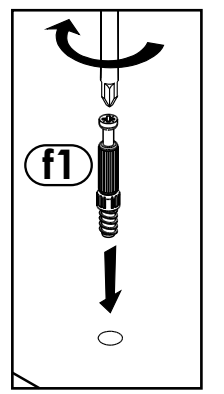
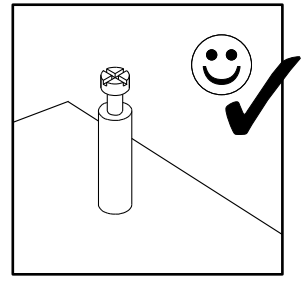
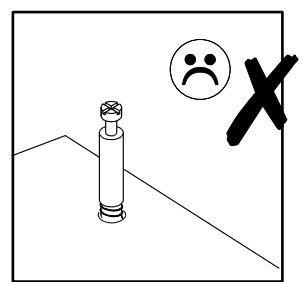
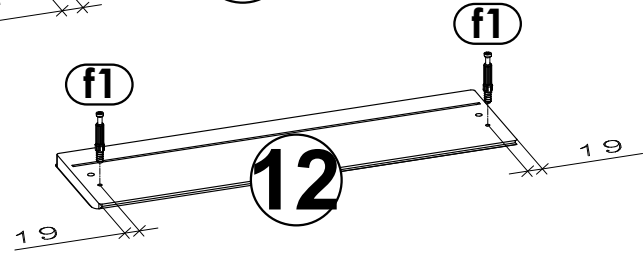
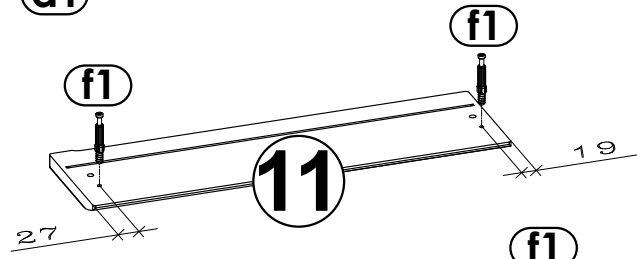
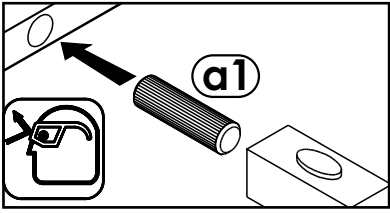
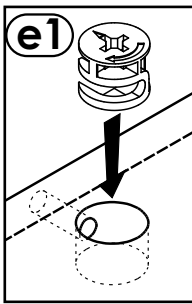
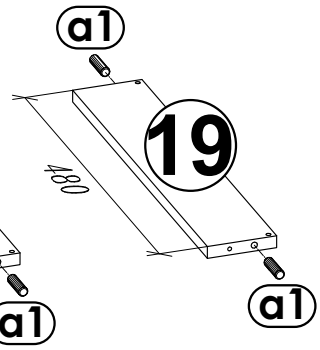
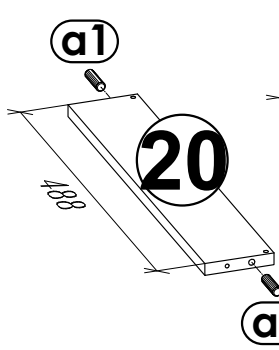
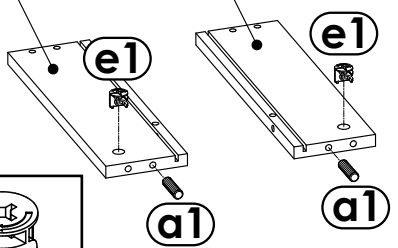
5



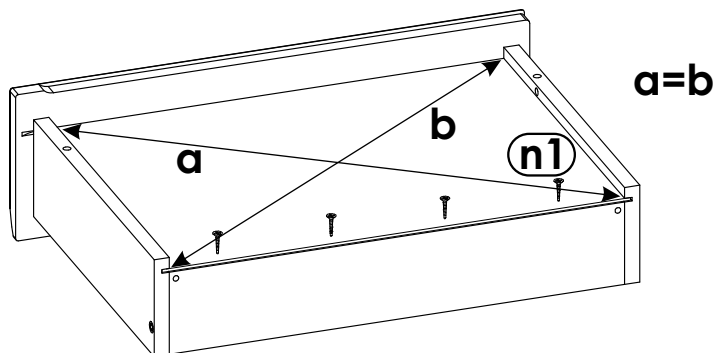
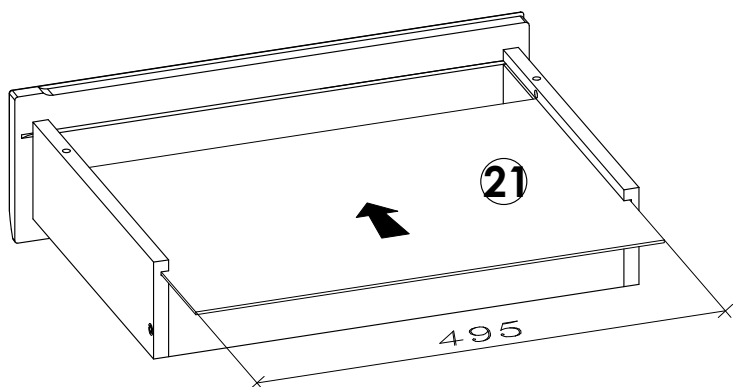
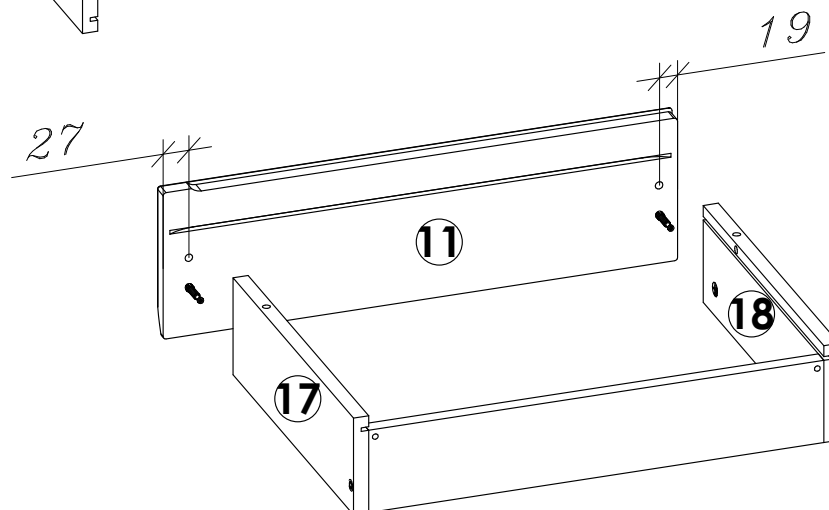
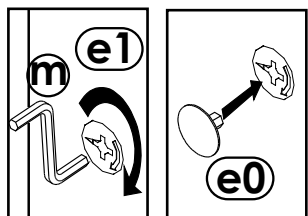
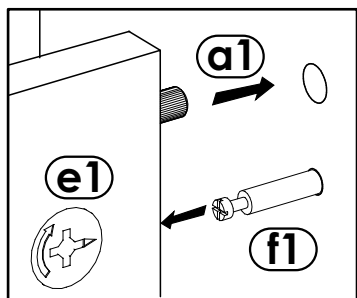
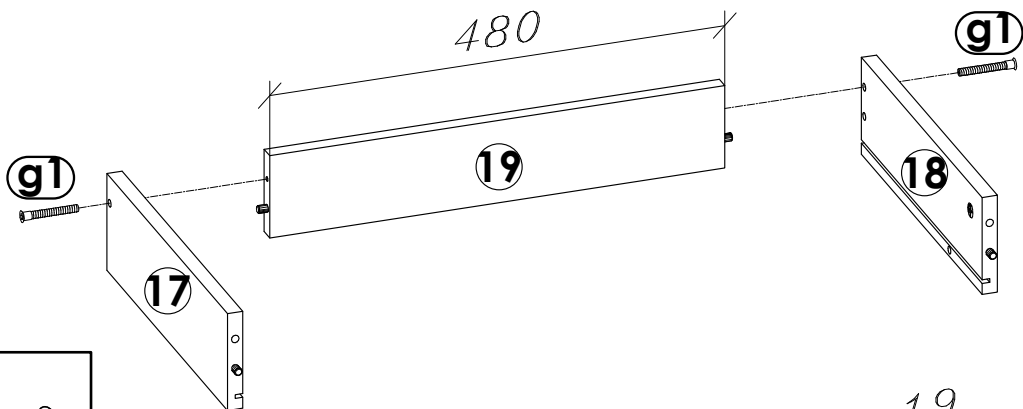
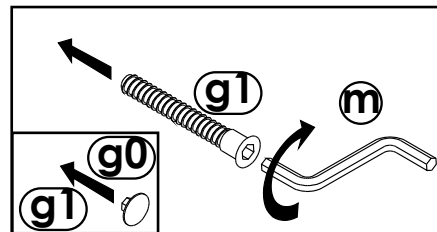
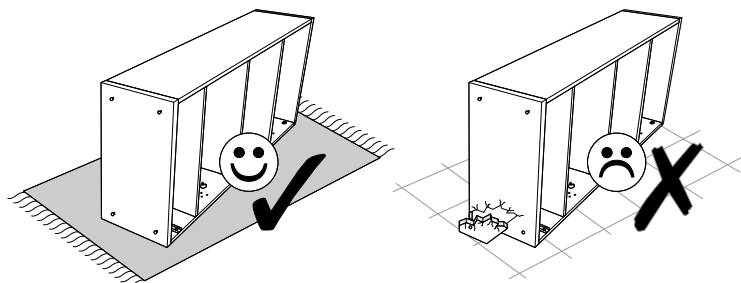
7



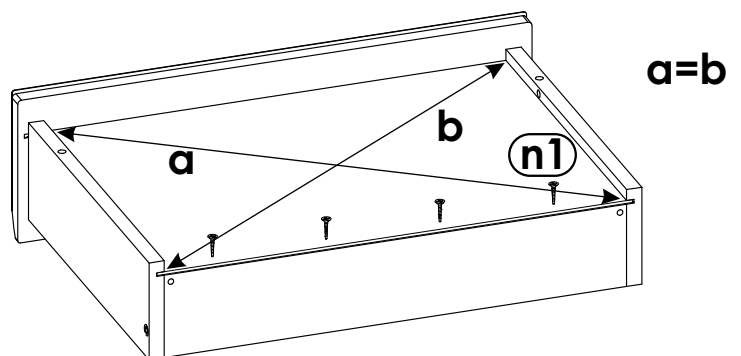
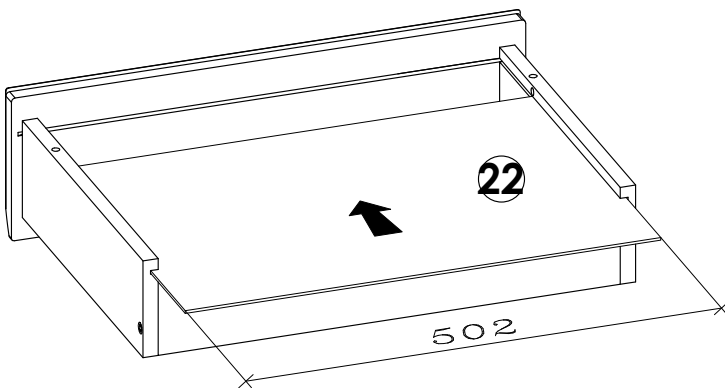
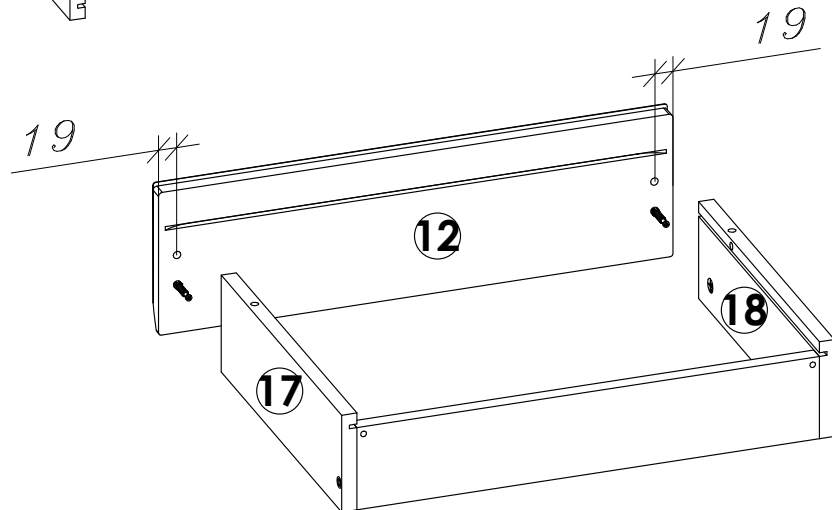
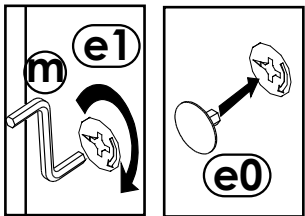
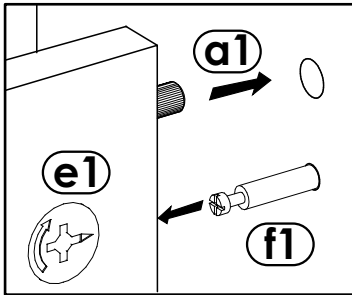
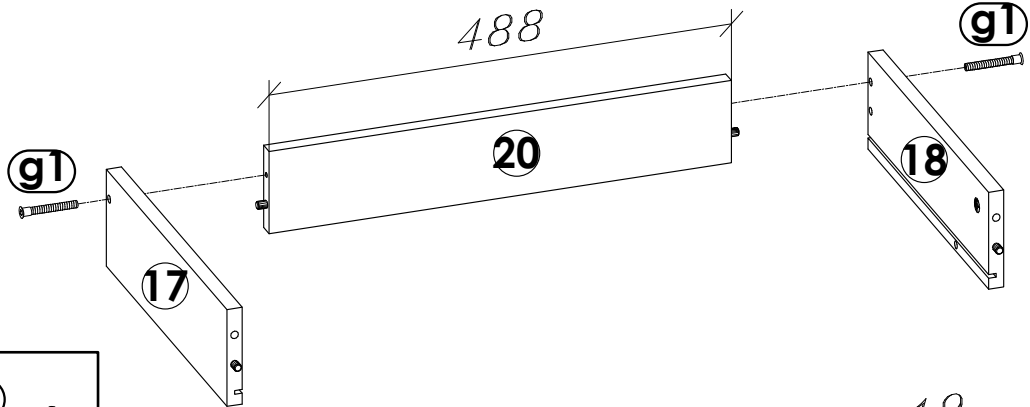
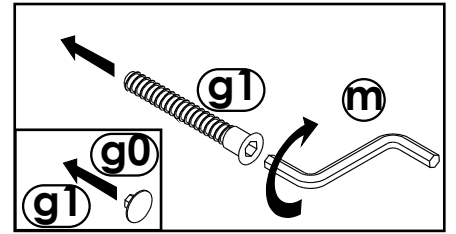
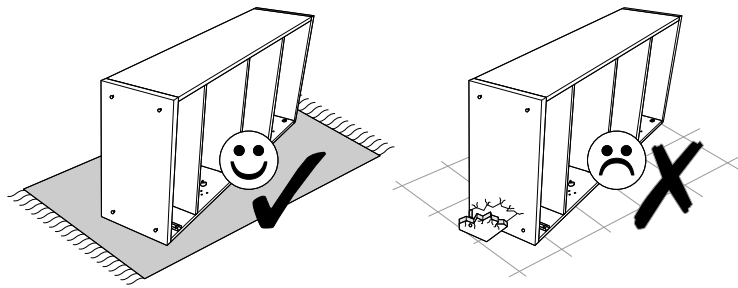
17x2 18x2



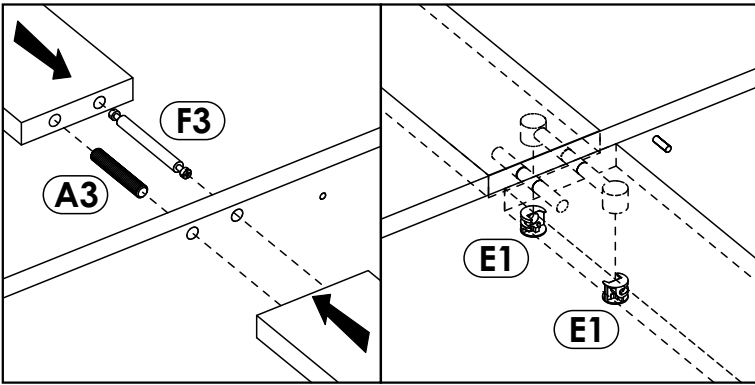
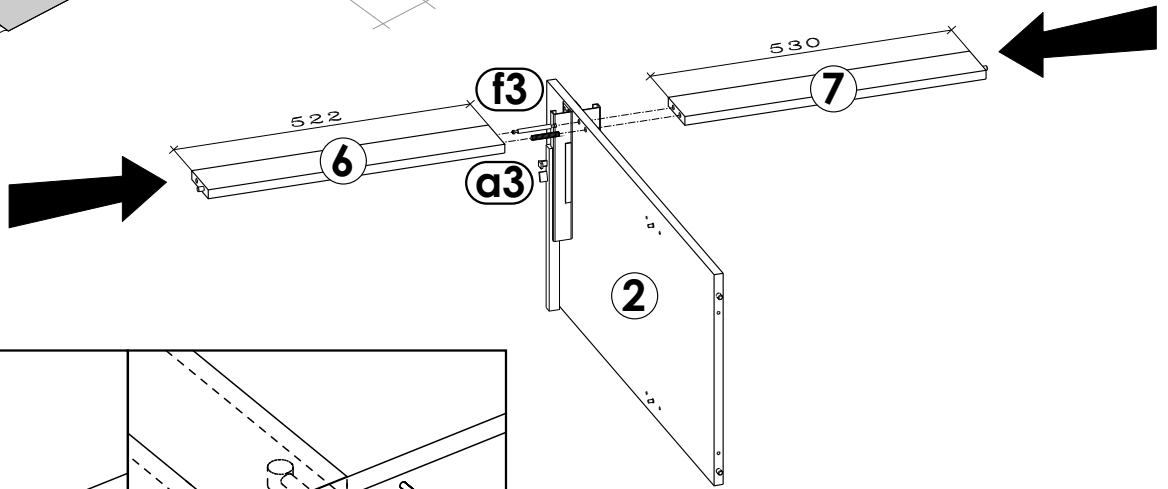
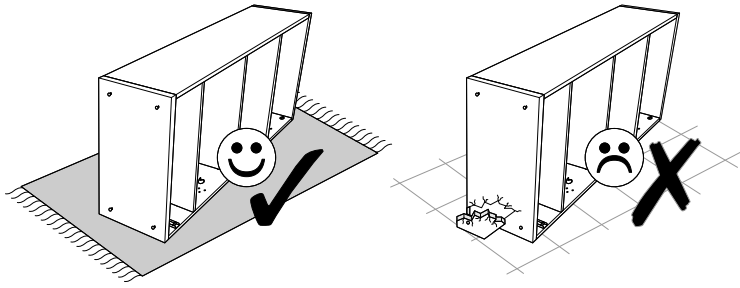
8
▼



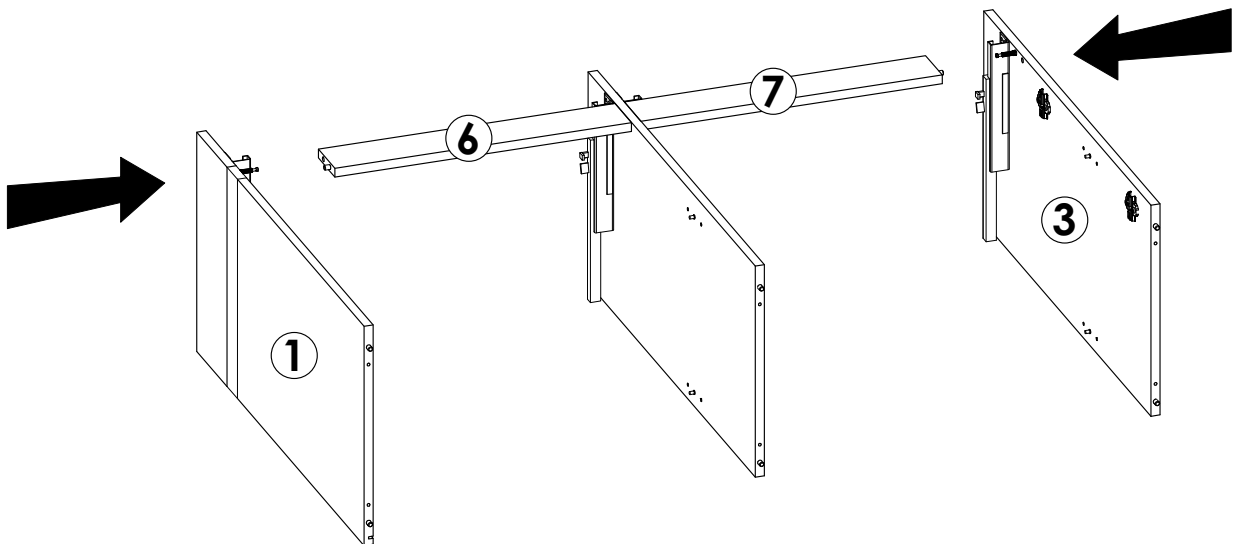
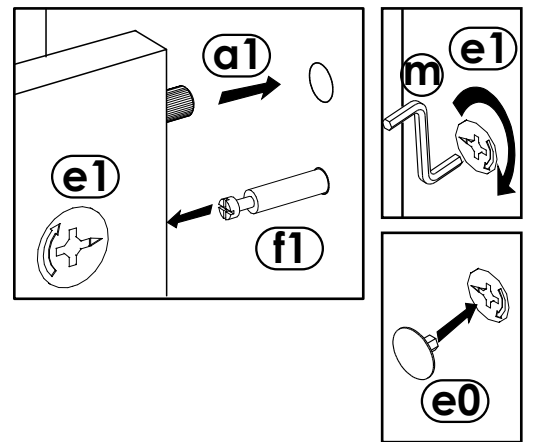
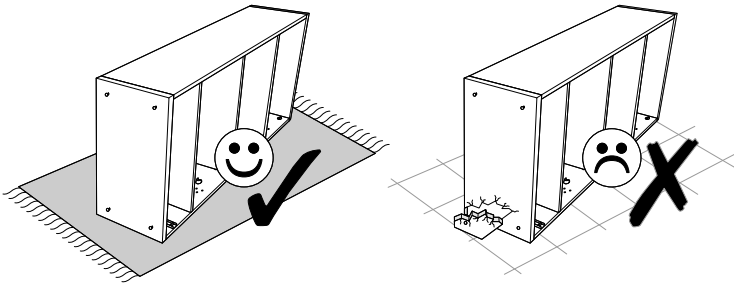
9
▼



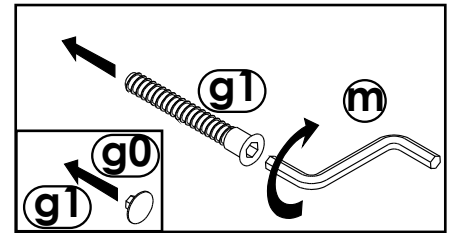
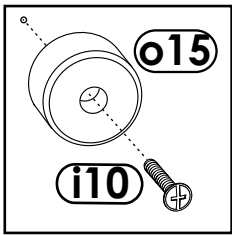
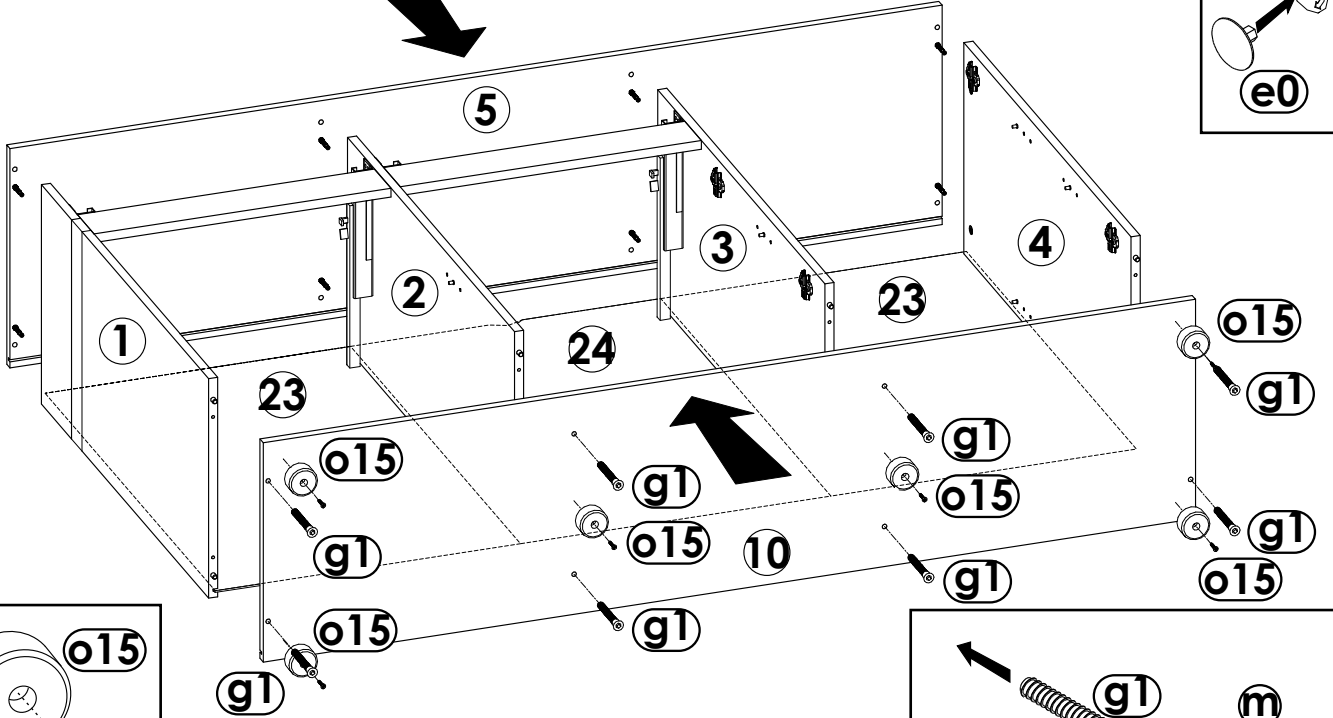
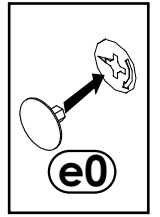
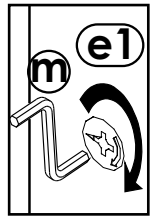
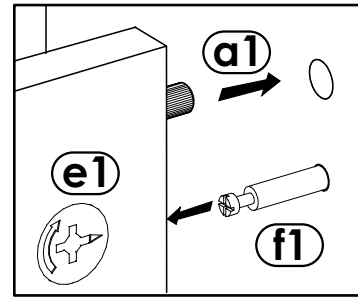
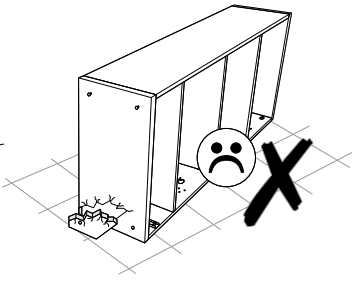
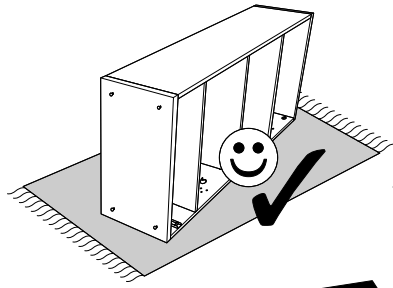
10



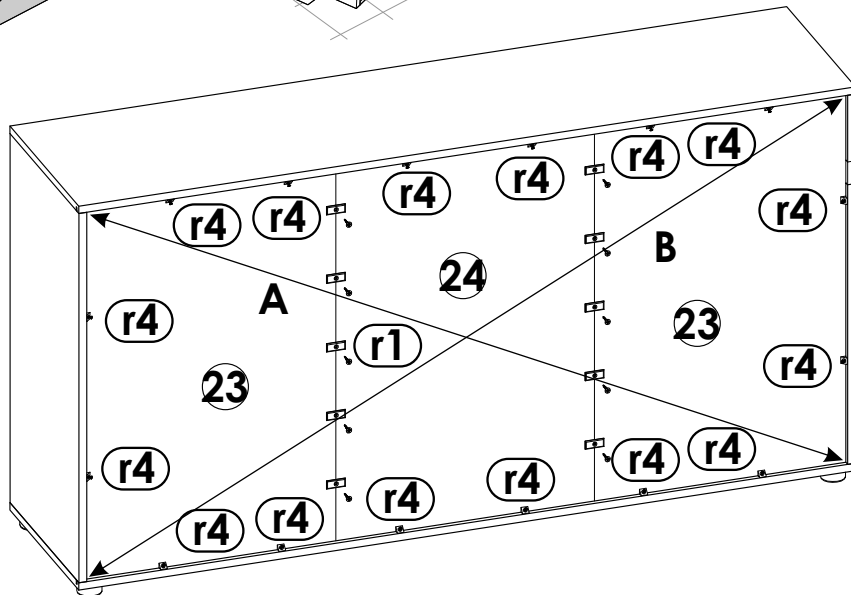
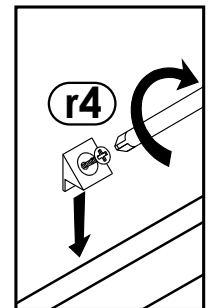
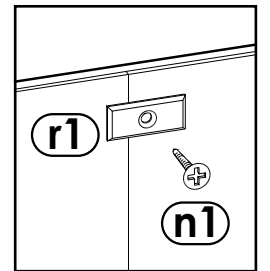
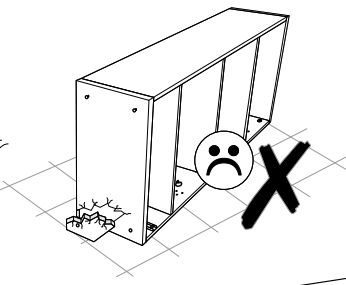
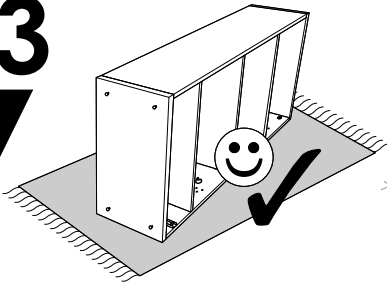
11



12

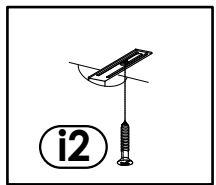
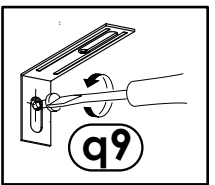
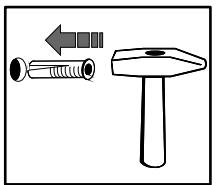
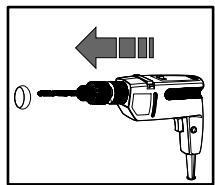
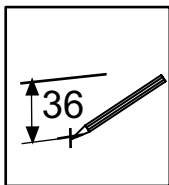
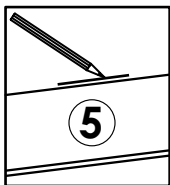
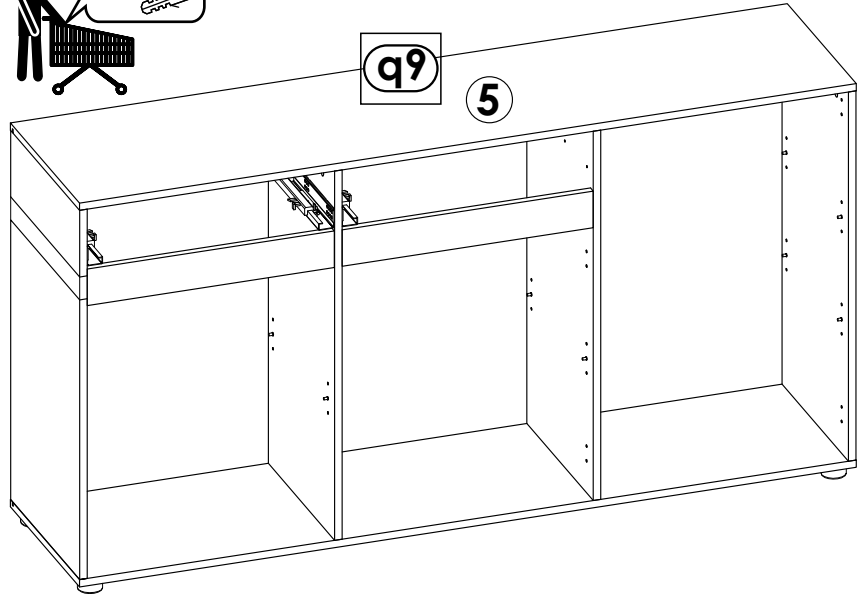
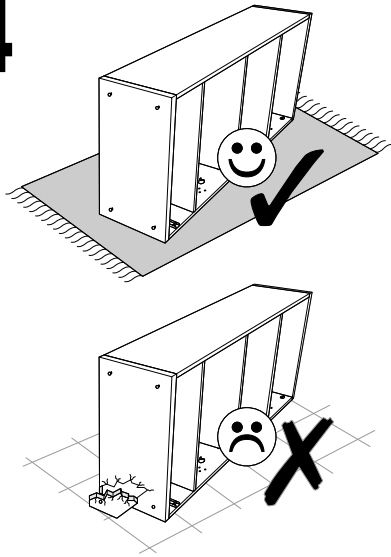


13



A=B

14
▼



15
▼

