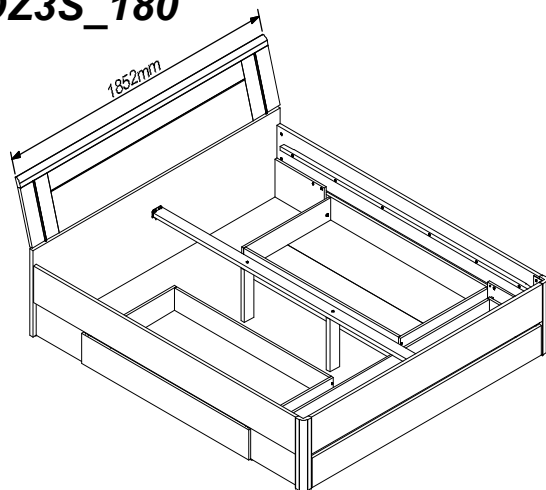
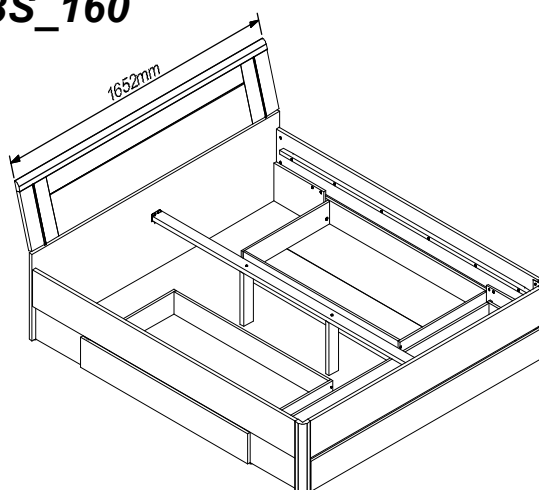


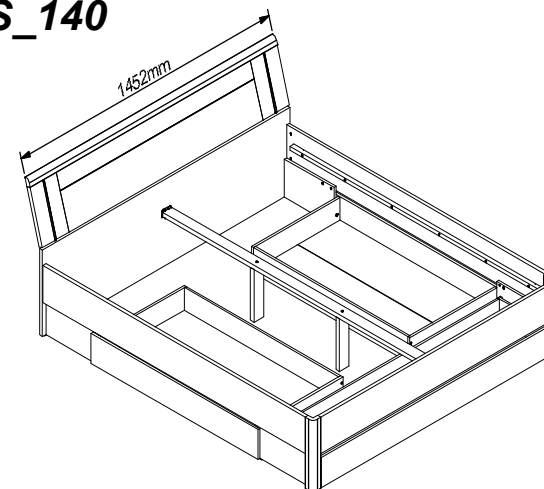
LOZ3S_180



LOZ3S_160



LOZ3S_140



LOZ3S_180

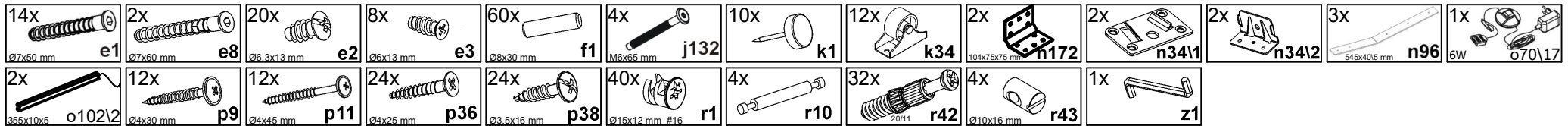
A	B1	B2	C1	C2	C3	D
1	L141-0008	-	1250	194	16	3/4
2	L141-0009	-	1719	194	16	2/4
3	L141-1007	-1	1964	240	22	1/4
4	L141-1008	-1	1964	240	22	1/4
5	L141-1010	-1	370	246	16	1/4
6	L141-1013	-	410	246	16	1/4
7	L141-1014	-	410	246	16	1/4
8	L141-4007	-	1770	80	16	4/4
9	L141-5002	-	1852	60	25	2/4
10	L141-5004	-	634	80	16	3/4
11	L141-5007	-	352	80	16	3/4
12	L141-5008	-	460	60	60	2/4
13	L141-5009	-	460	60	60	2/4
14	L141-5403	-1	650	166	15	3/4
15	L141-5404	-1	650	166	15	3/4
16	L141-5405	-	1158	166	15	3/4
17	L141-5406	-1	368	166	15	3/4
18	L141-5407	-1	368	166	15	3/4
19	L141-5408	-	1678	166	15	4/4
20	L141-7001	-	1852	560	22	4/4
21	L141-7004	-1	200	355	22	2/4
22	L141-7005	-1	200	355	22	2/4
23	L141-7006	-2	1452	110	22	2/4
24	L141-7007	-2	1452	245	22	2/4
25	L141-7018	-	1730	240	22	2/4
26	ZZ1-469	-1	342	70	27	1/4
27	ZZ1-719	-3	1983	70	27	1/4
28	ZZ1-725	-	1880	30	25	1/4
29	ZZ1-9321	-	1168	643	2,5	3/4
30	ZZ1-9522	-	1688	356	2,5	4/4

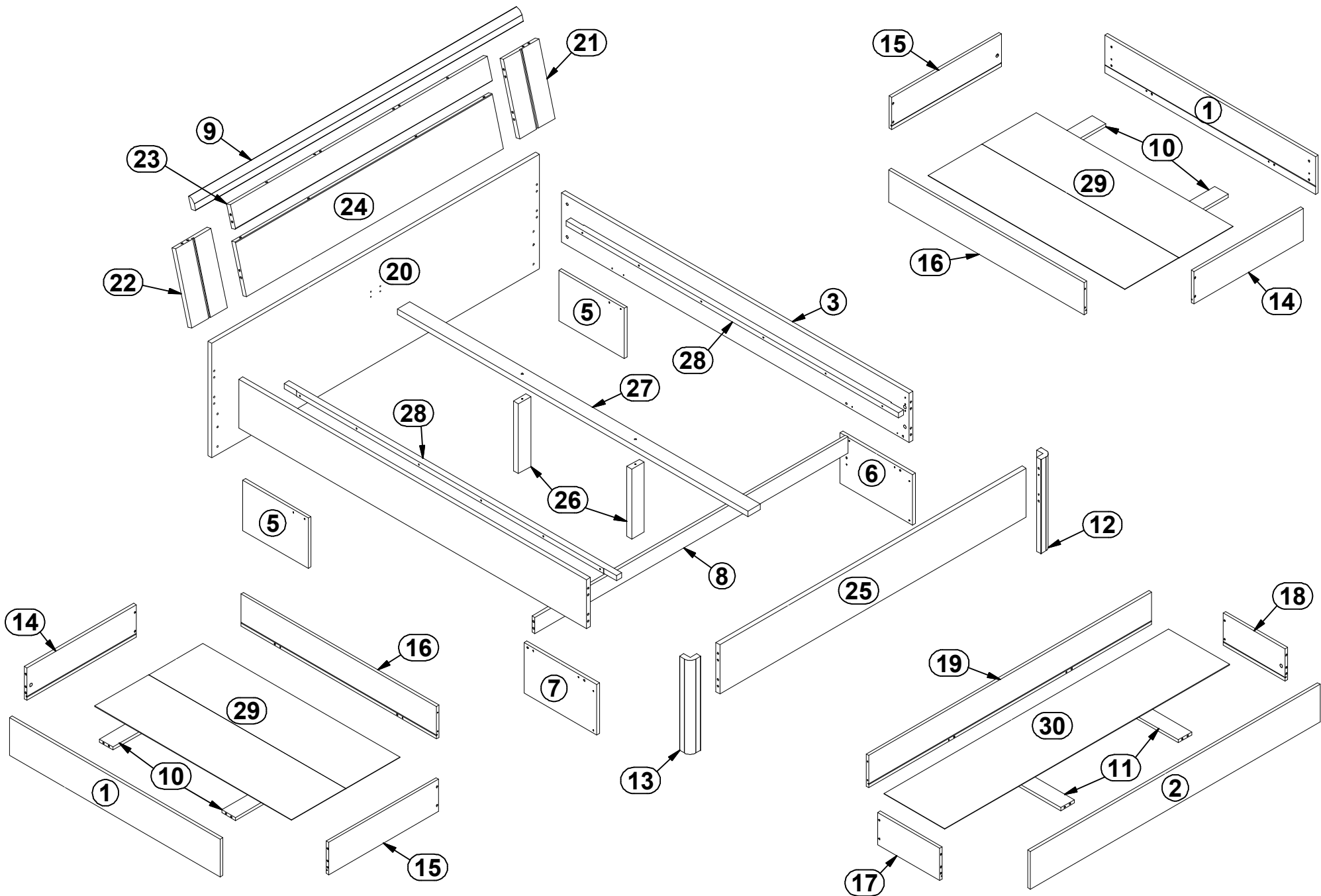
LOZ3S_160

A	B1	B2	C1	C2	C3	D
1	L141-0008	-	1250	194	16	3/4
2	L141-0010	-	1519	194	16	2/4
3	L141-1007	-1	1964	240	22	1/4
4	L141-1008	-1	1964	240	22	1/4
5	L141-1010	-1	370	246	16	1/4
6	L141-1013	-	410	246	16	1/4
7	L141-1014	-	410	246	16	1/4
8	L141-4008	-	1570	80	16	4/4
9	L141-5005	-	1652	60	25	2/4
10	L141-5004	-	634	80	16	3/4
11	L141-5007	-	352	80	16	3/4
12	L141-5008	-	460	60	60	2/4
13	L141-5009	-	460	60	60	2/4
14	L141-5403	-1	650	166	15	3/4
15	L141-5404	-1	650	166	15	3/4
16	L141-5405	-	1158	166	15	3/4
17	L141-5406	-1	368	166	15	3/4
18	L141-5407	-1	368	166	15	3/4
19	L141-5411	-	1478	166	15	4/4
20	L141-7008	-	1652	560	22	4/4
21	L141-7004	-1	200	355	22	2/4
22	L141-7005	-1	200	355	22	2/4
23	L141-7011	-2	1252	110	22	2/4
24	L141-7012	-2	1252	245	22	2/4
25	L141-7019	-	1530	240	22	2/4
26	ZZ1-469	-1	342	70	27	1/4
27	ZZ1-719	-3	1983	70	27	1/4
28	ZZ1-725	-	1880	30	25	1/4
29	ZZ1-9321	-	1168	643	2,5	3/4
30	ZZ1-9523	-	1488	362	2,5	4/4

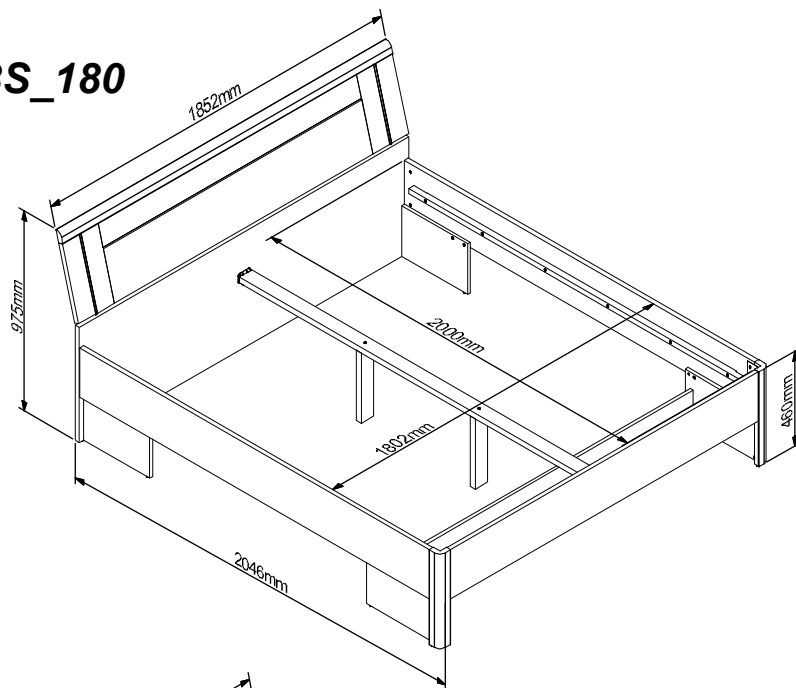
LOZ3S_140

A	B1	B2	C1	C2	C3	D
1	L141-0008	-	1250	194	16	3/4
2	L141-0011	-	1319	194	16	4/4
3	L141-1007	-1	1964	240	22	1/4
4	L141-1008	-1	1964	240	22	1/4
5	L141-1010	-1	370	246	16	1/4
6	L141-1013	-	410	246	16	1/4
7	L141-1014	-	410	246	16	1/4
8	L141-4009	-	1370	80	16	4/4
9	L141-5006	-	1452	60	25	2/4
10	L141-5004	-	634	80	16	3/4
11	L141-5007	-	352	80	16	3/4
12	L141-5008	-	460	60	60	2/4
13	L141-5009	-	460	60	60	2/4
14	L141-5403	-1	650	166	15	3/4
15	L141-5404	-1	650	166	15	3/4
16	L141-5405	-	1158	166	15	3/4
17	L141-5406	-1	368	166	15	3/4
18	L141-5407	-1	368	166	15	3/4
19	L141-5414	-	1278	166	15	4/4
20	L141-7013	-	1452	560	22	4/4
21	L141-7004	-1	200	355	22	2/4
22	L141-7005	-1	200	355	22	2/4
23	L141-7016	-2	1052	110	22	2/4
24	L141-7017	-2	1052	245	22	2/4
25	L141-7020	-	1330	240	22	2/4
26	ZZ1-469	-1	342	70	27	1/4
27	ZZ1-719	-3	1983	70	27	1/4
28	ZZ1-725	-	1880	30	25	1/4
29	ZZ1-9321	-	1168	643	2,5	3/4
30	ZZ1-9524	-	1288	362	2,5	4/4

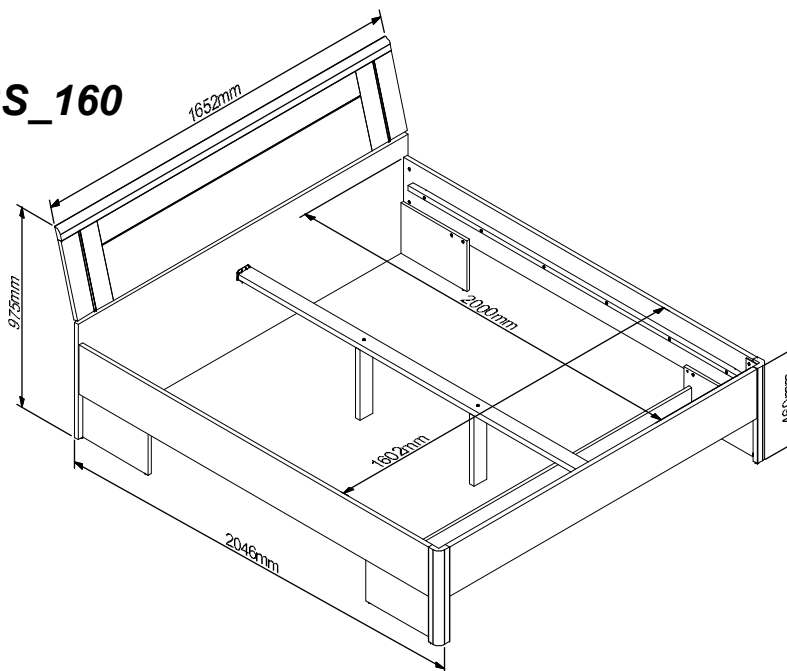




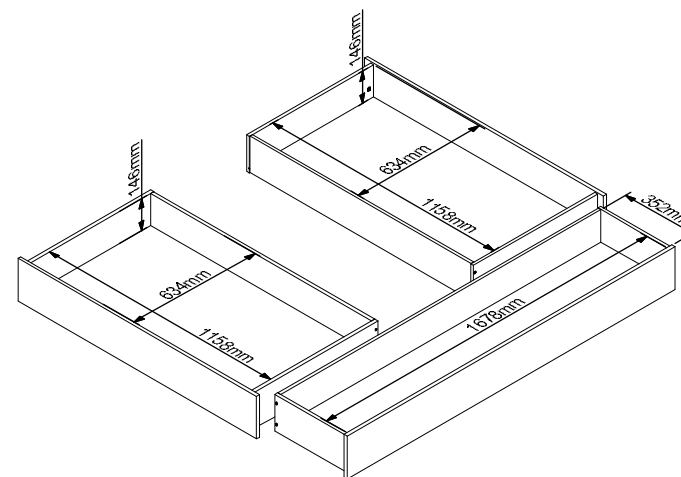
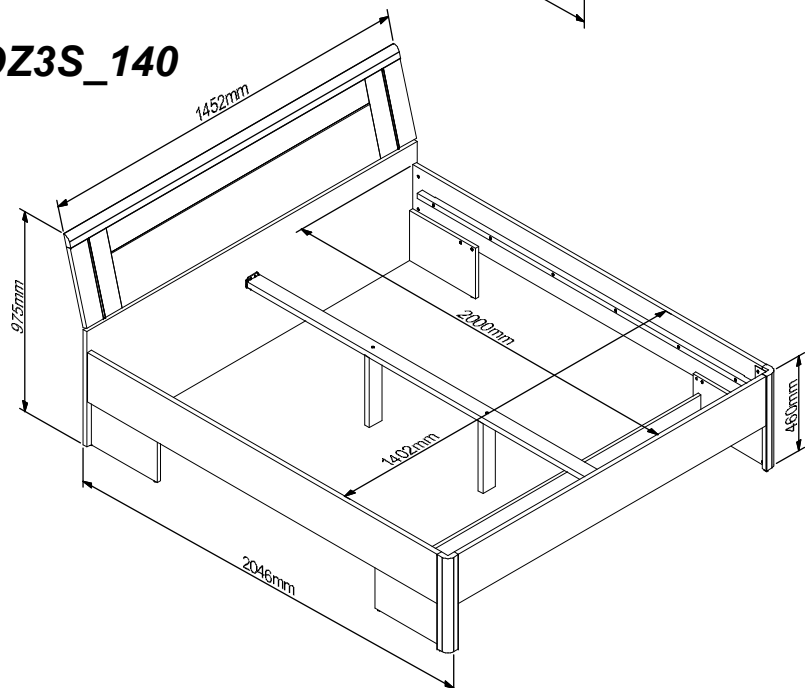
LOZ3S_180

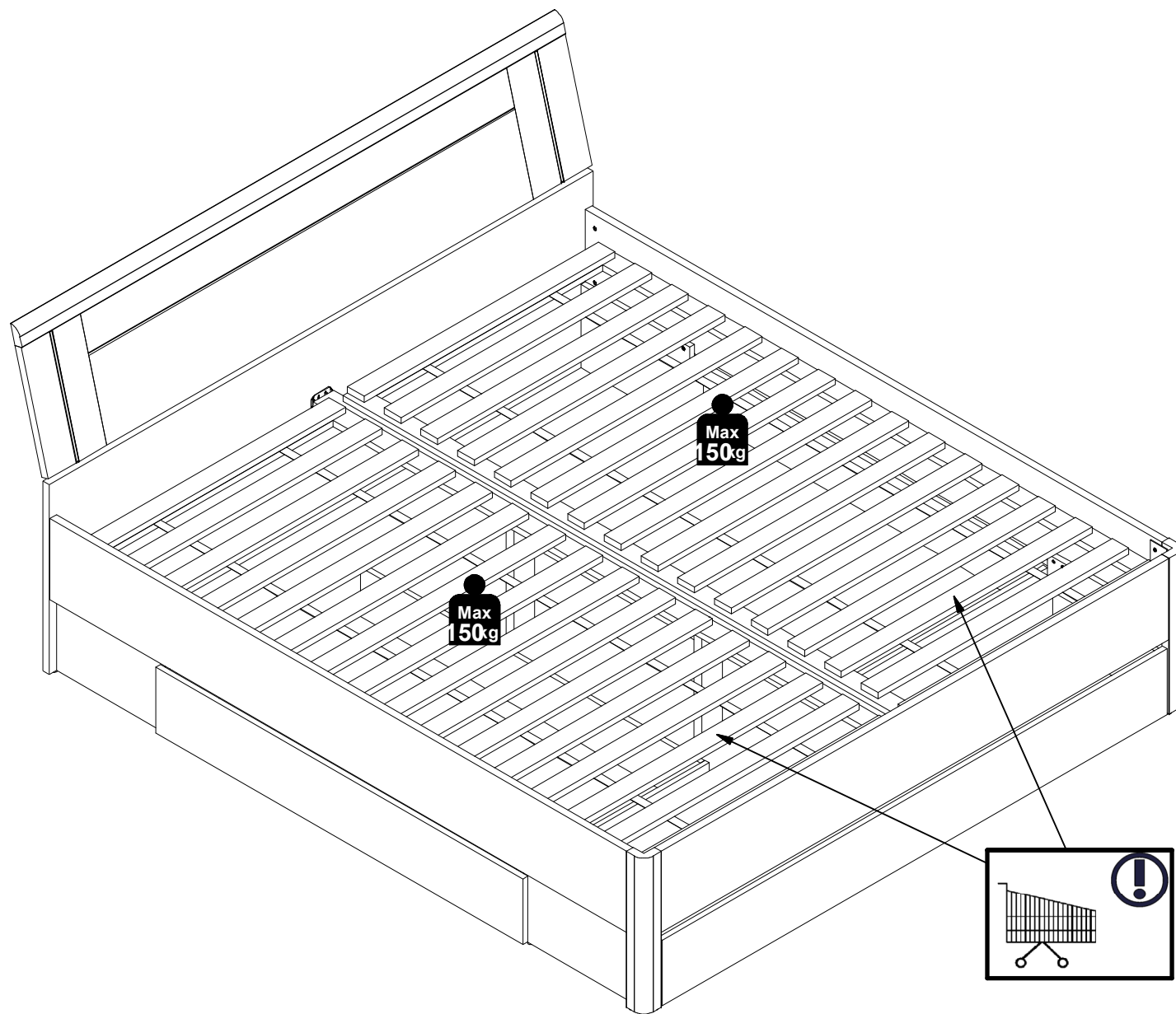


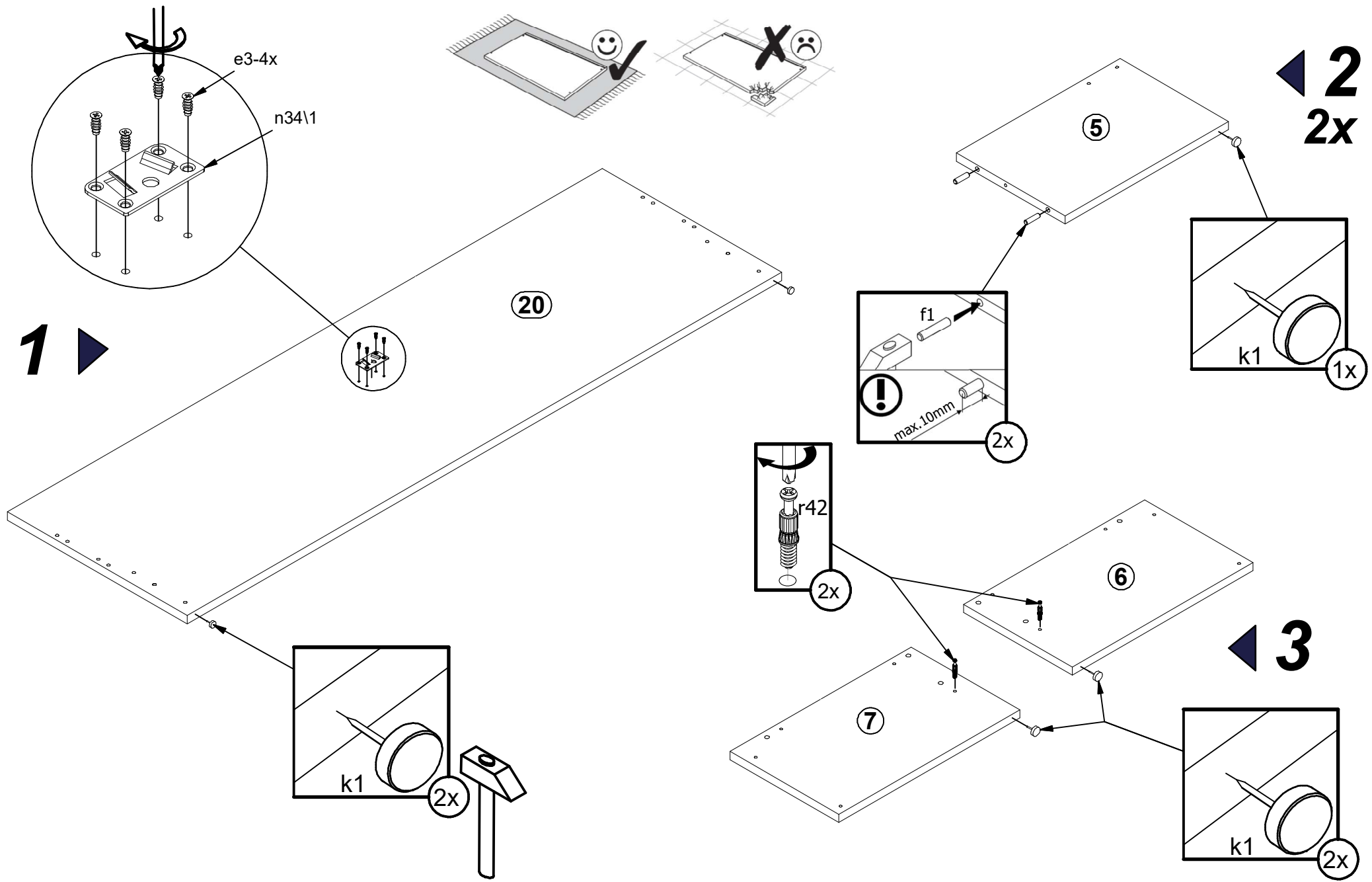
LOZ3S_160

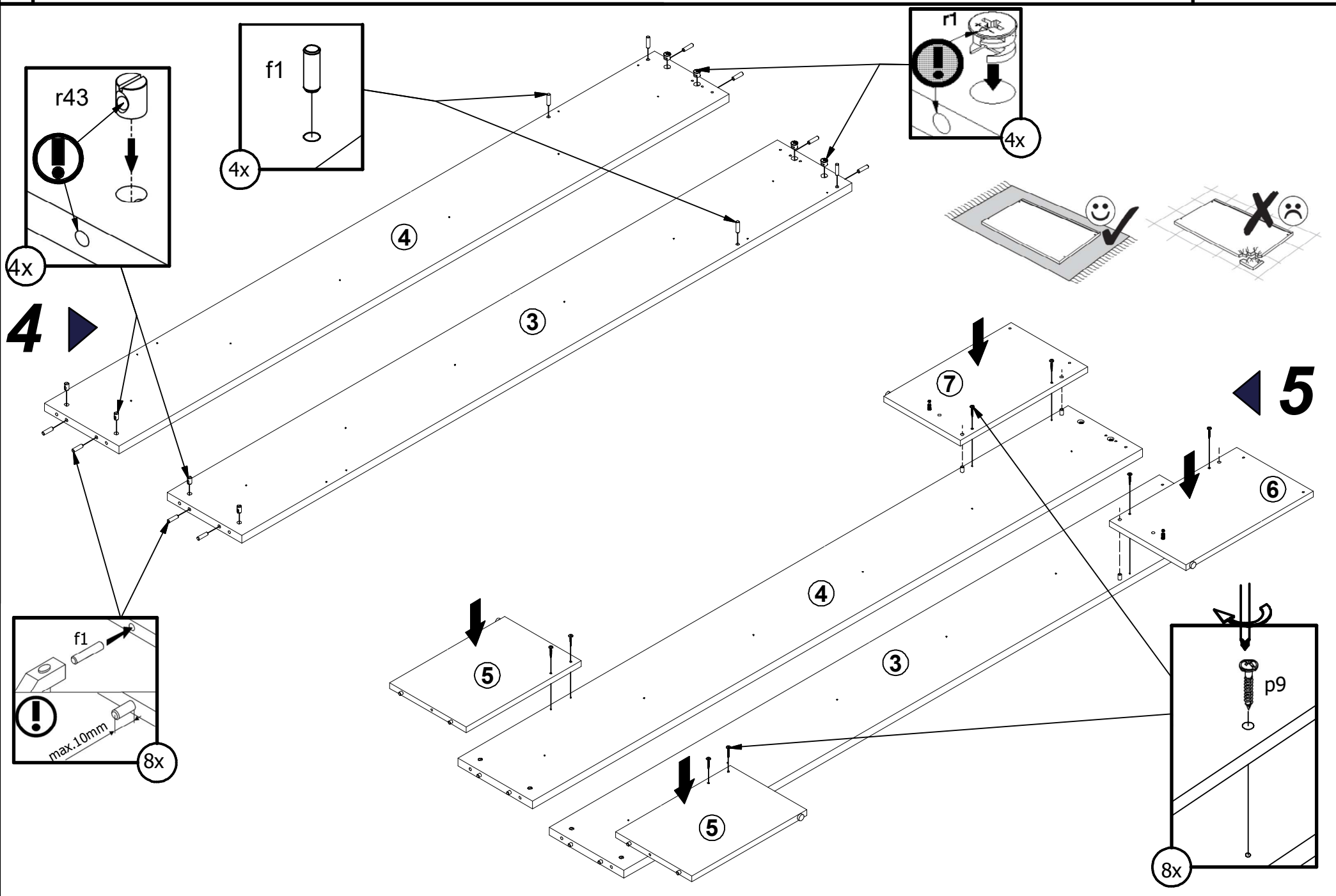


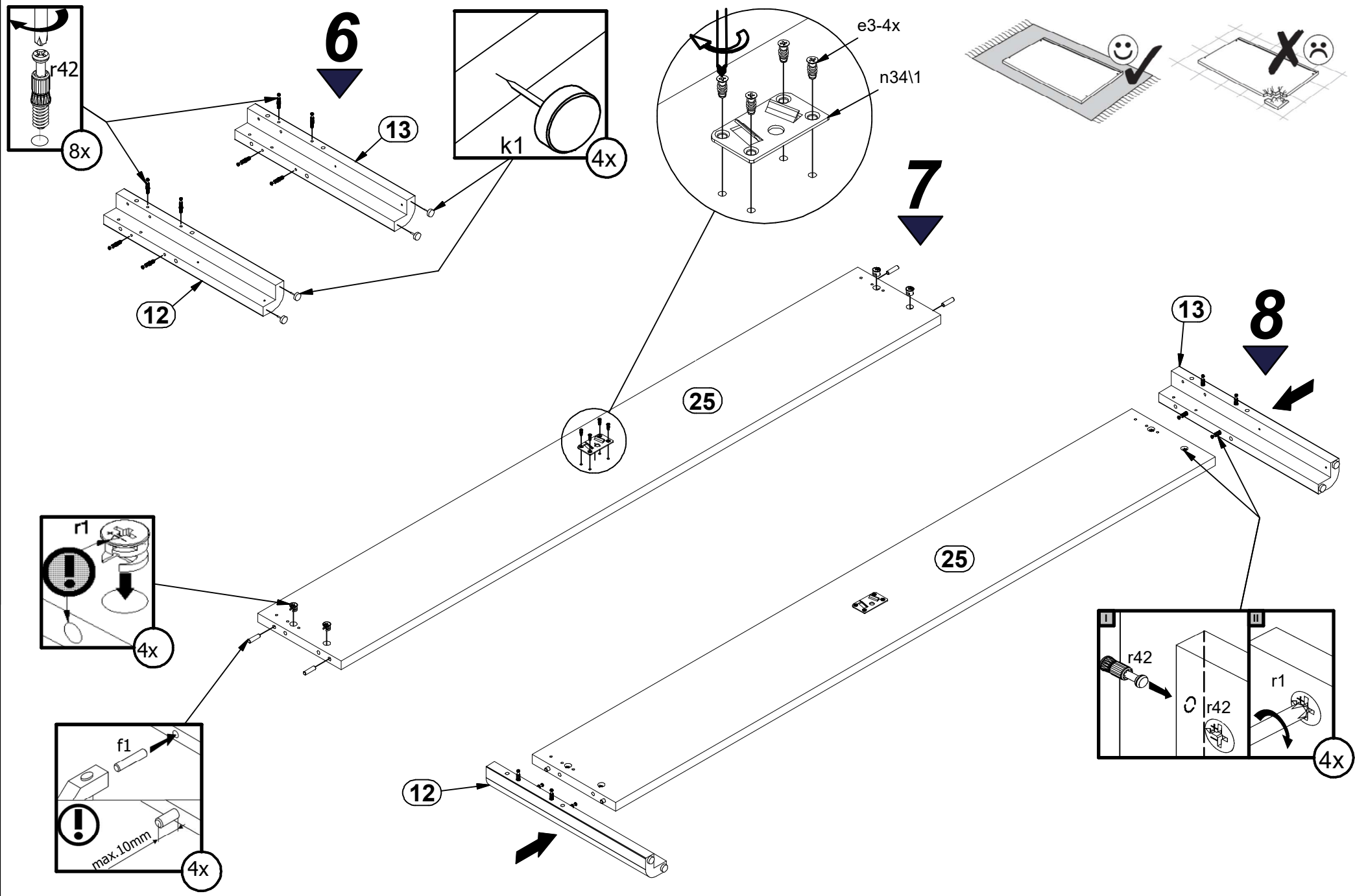
LOZ3S_140



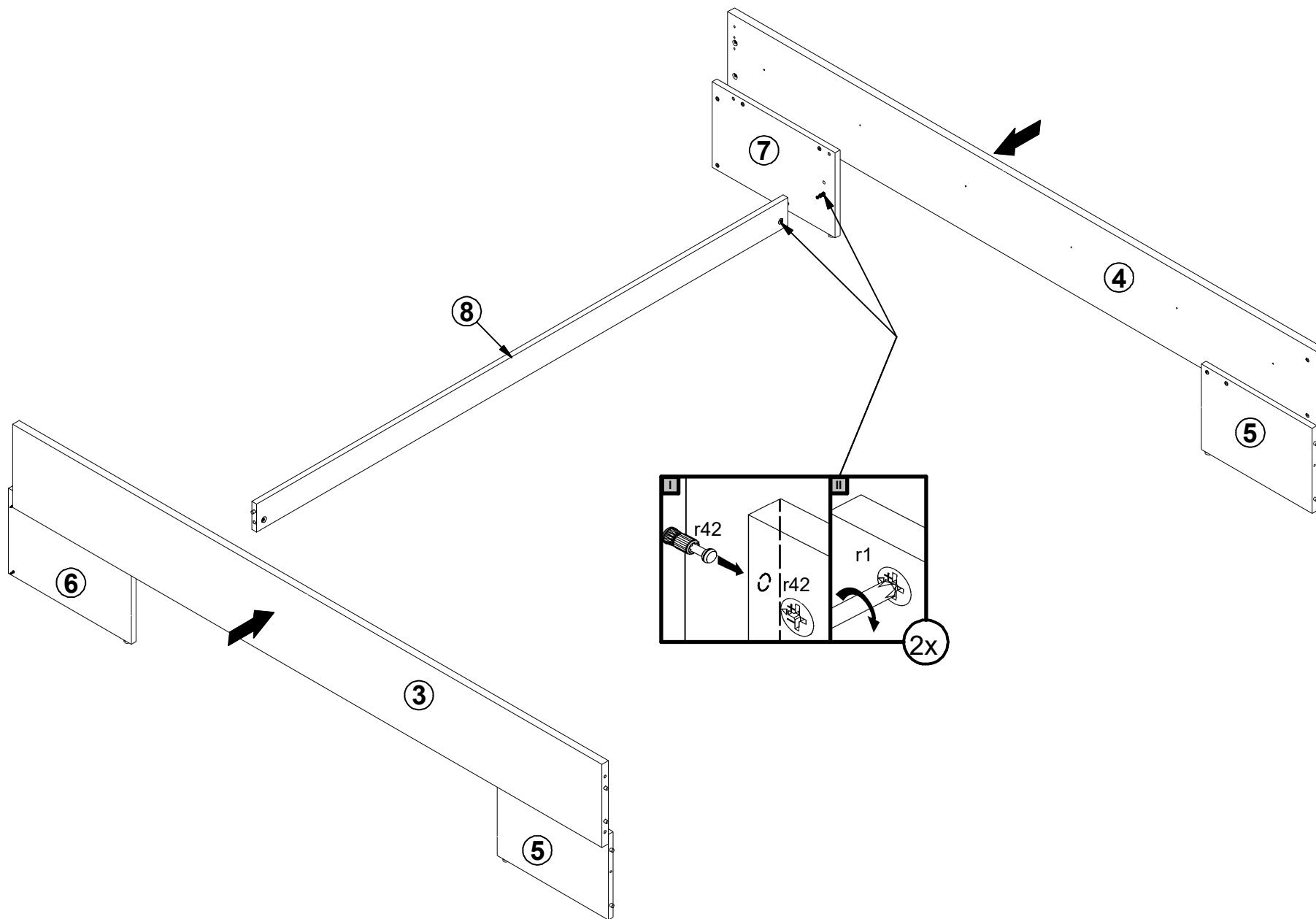




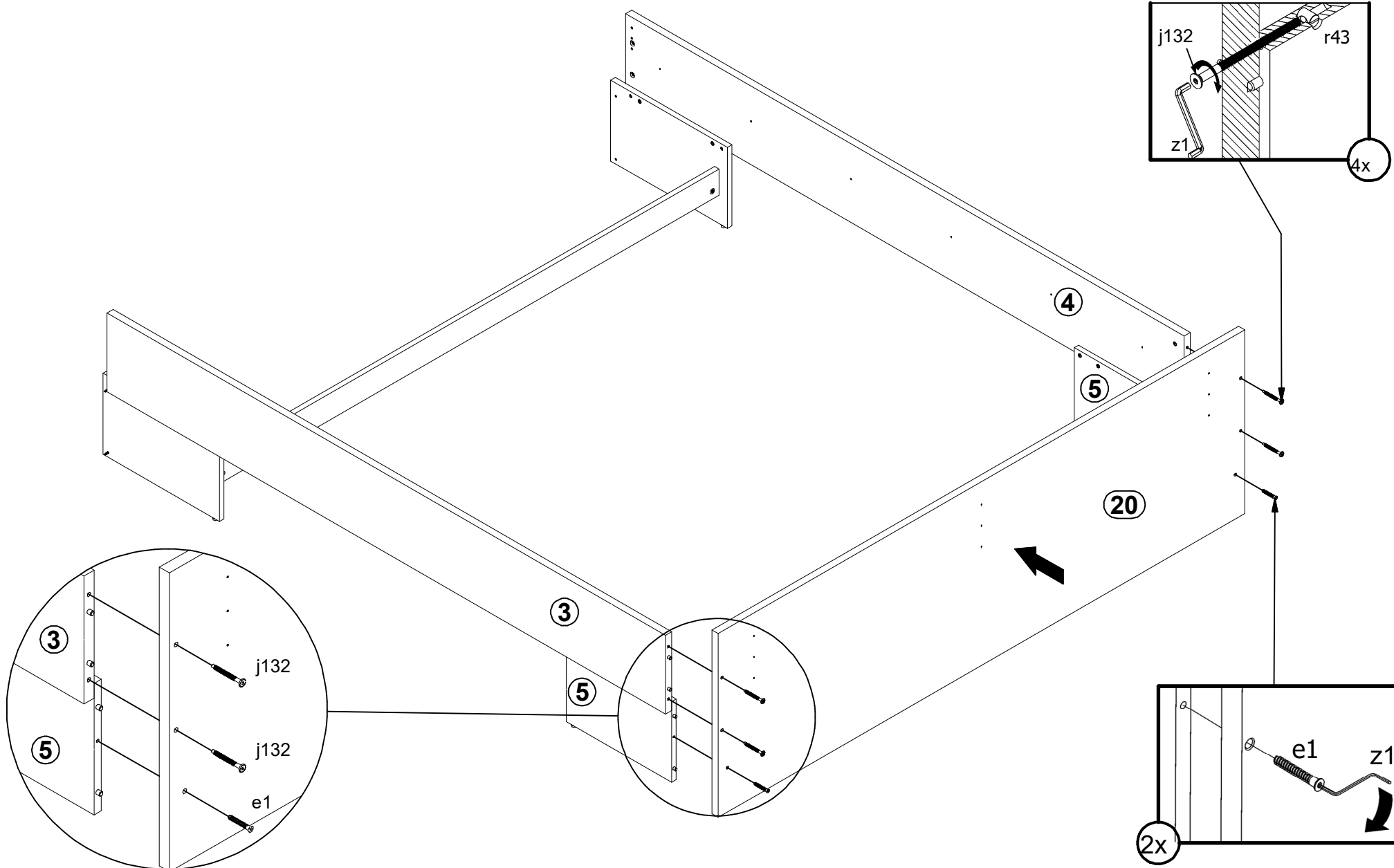




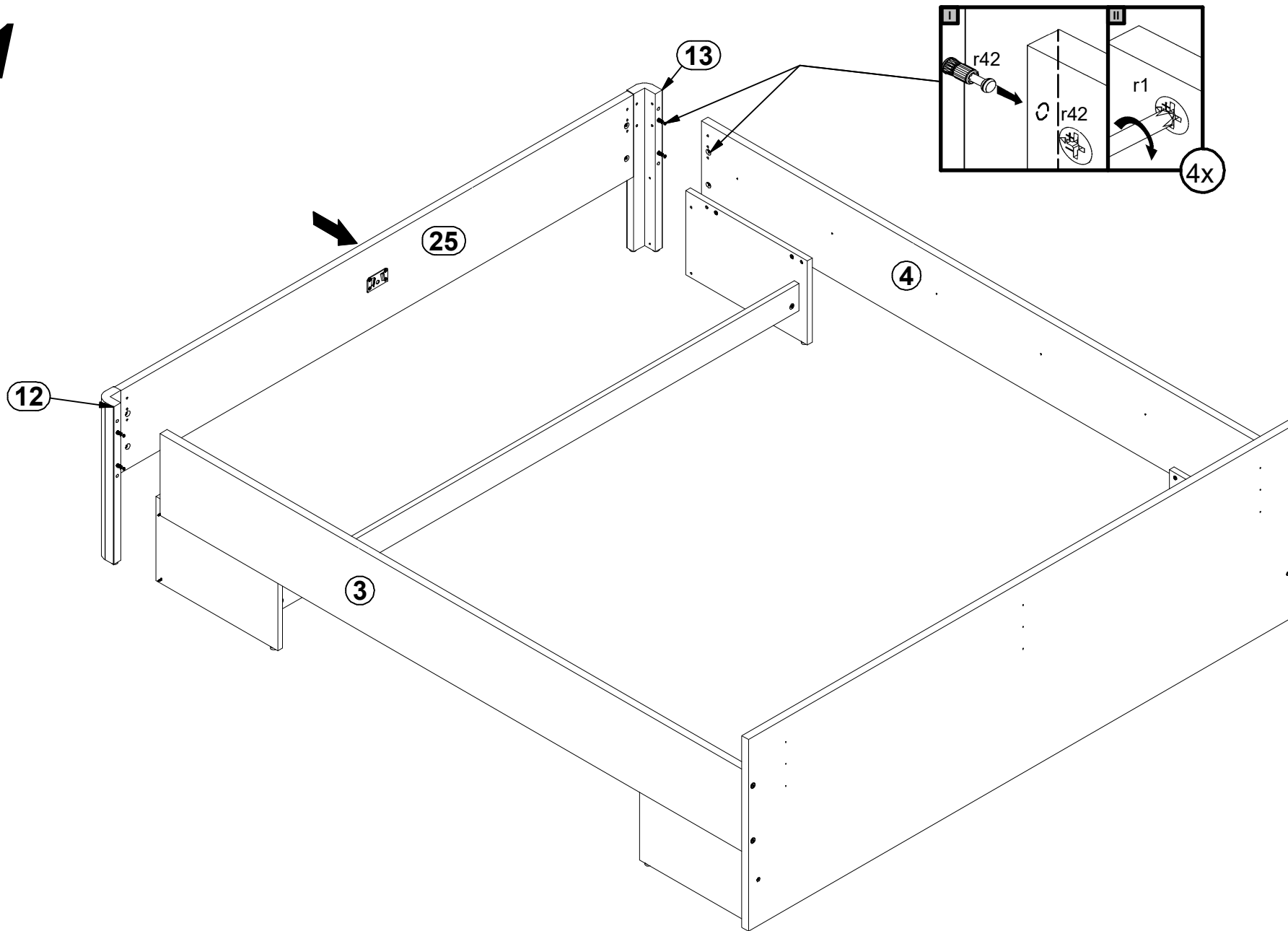
9



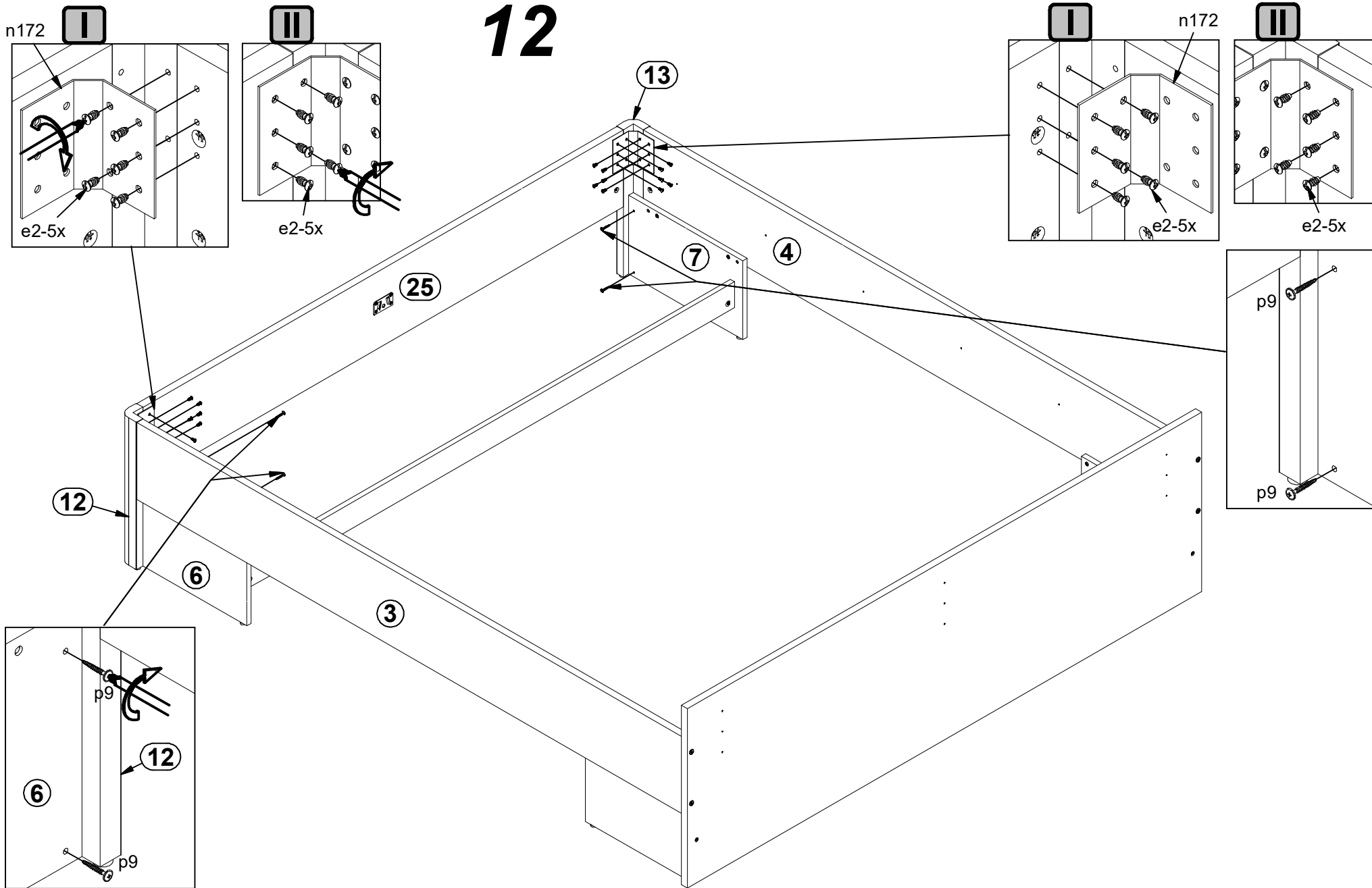
10



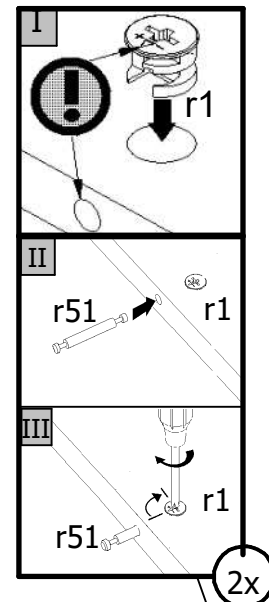
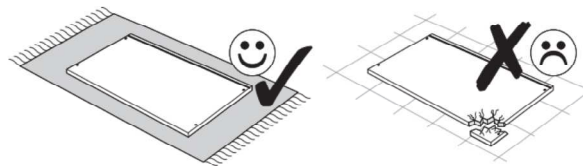
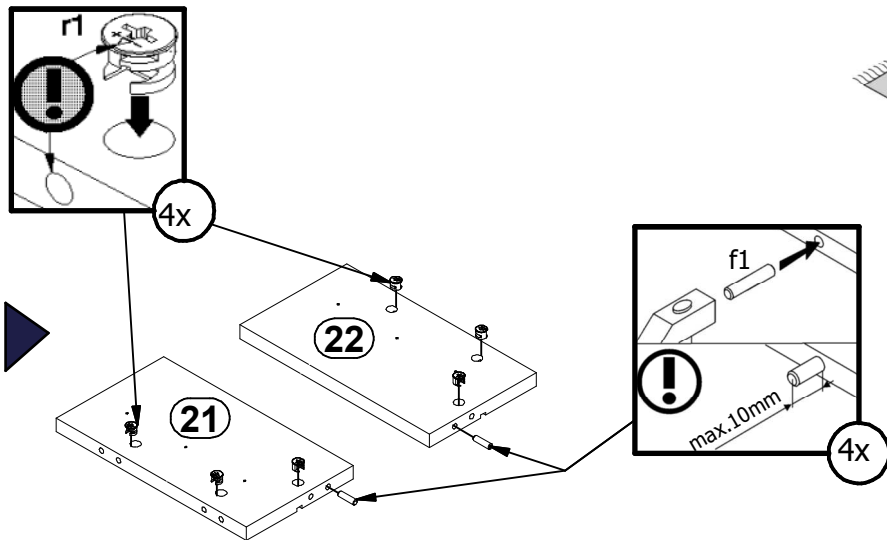
11



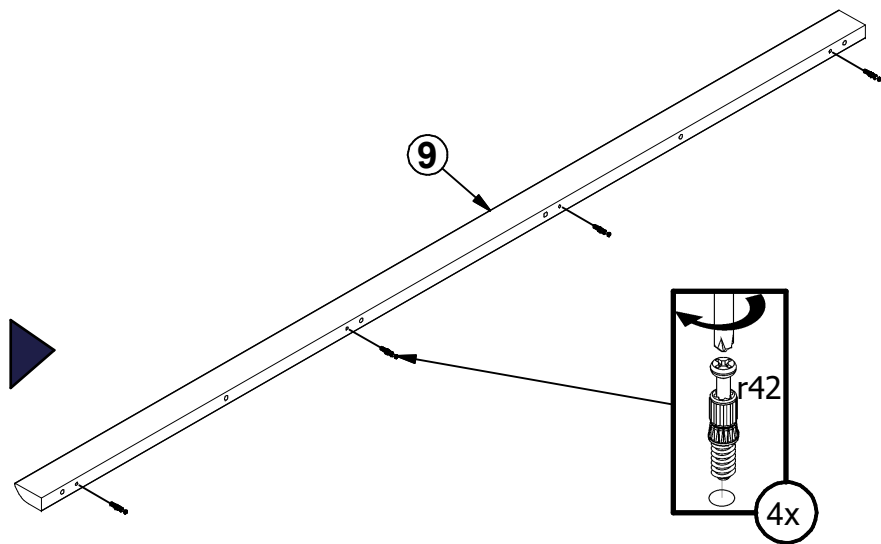
12



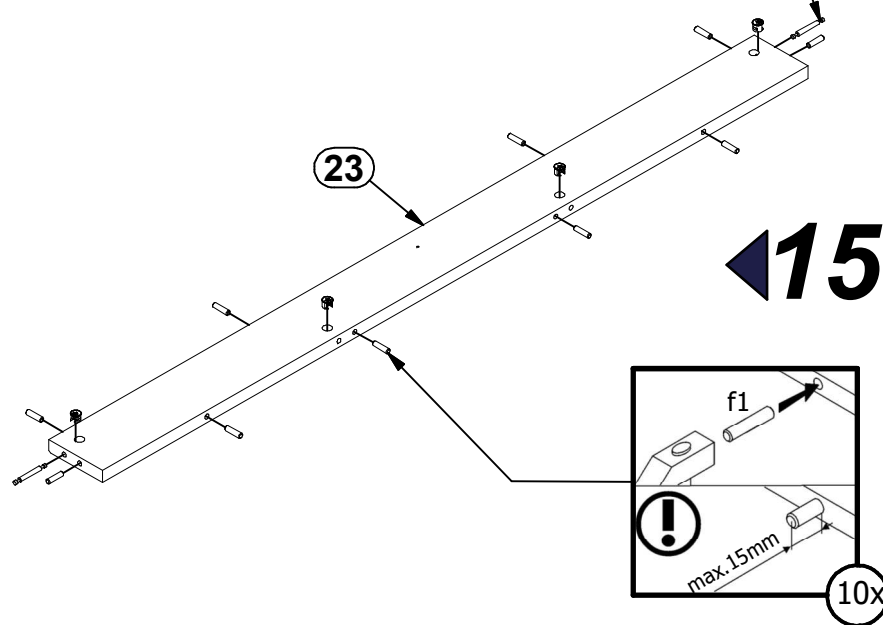
13 ▶

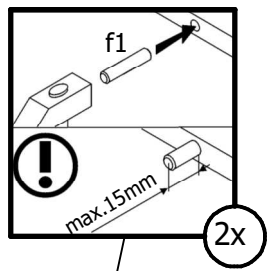
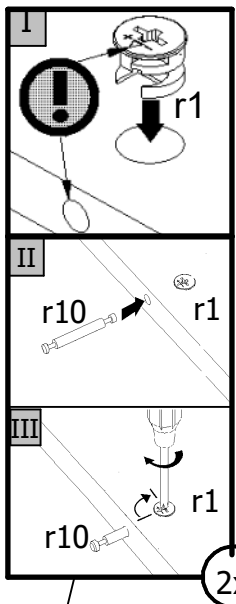


14 ▶



▶ 15





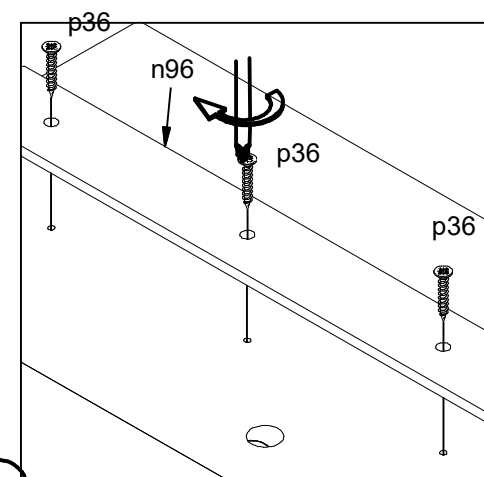
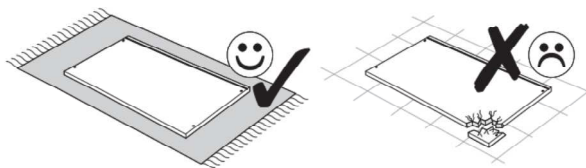
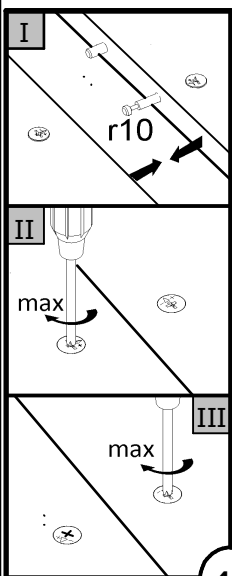
16 ▶

24

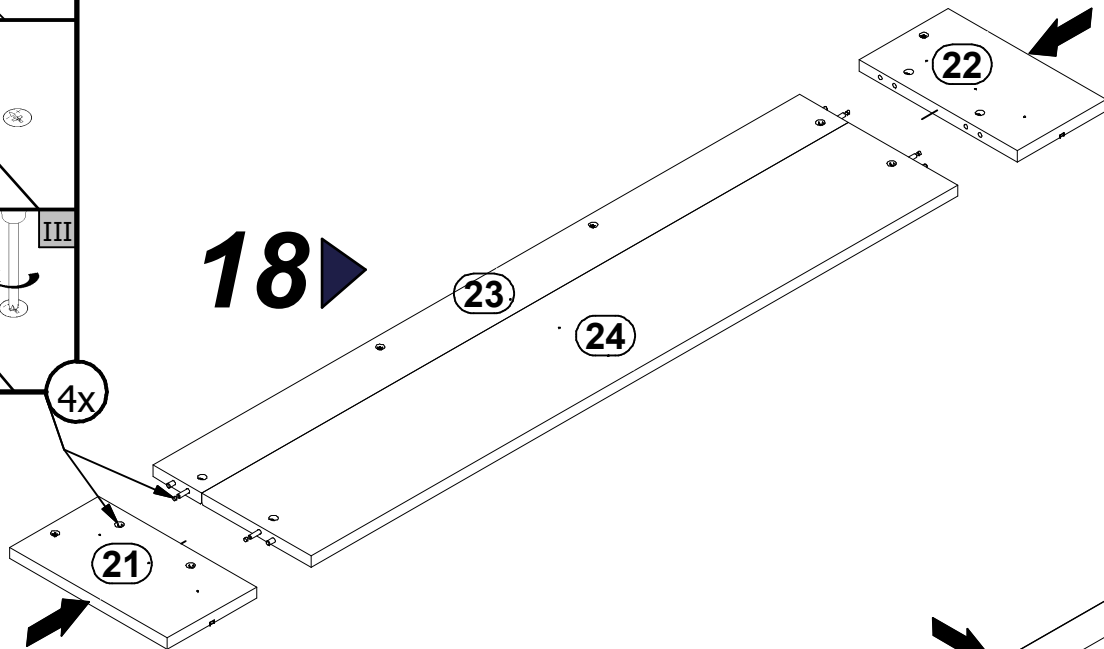
23

24

◀ **17**

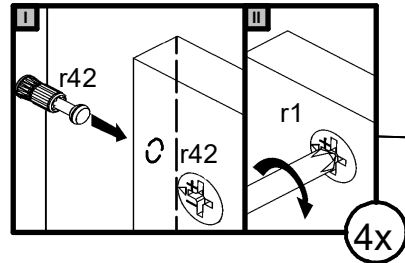
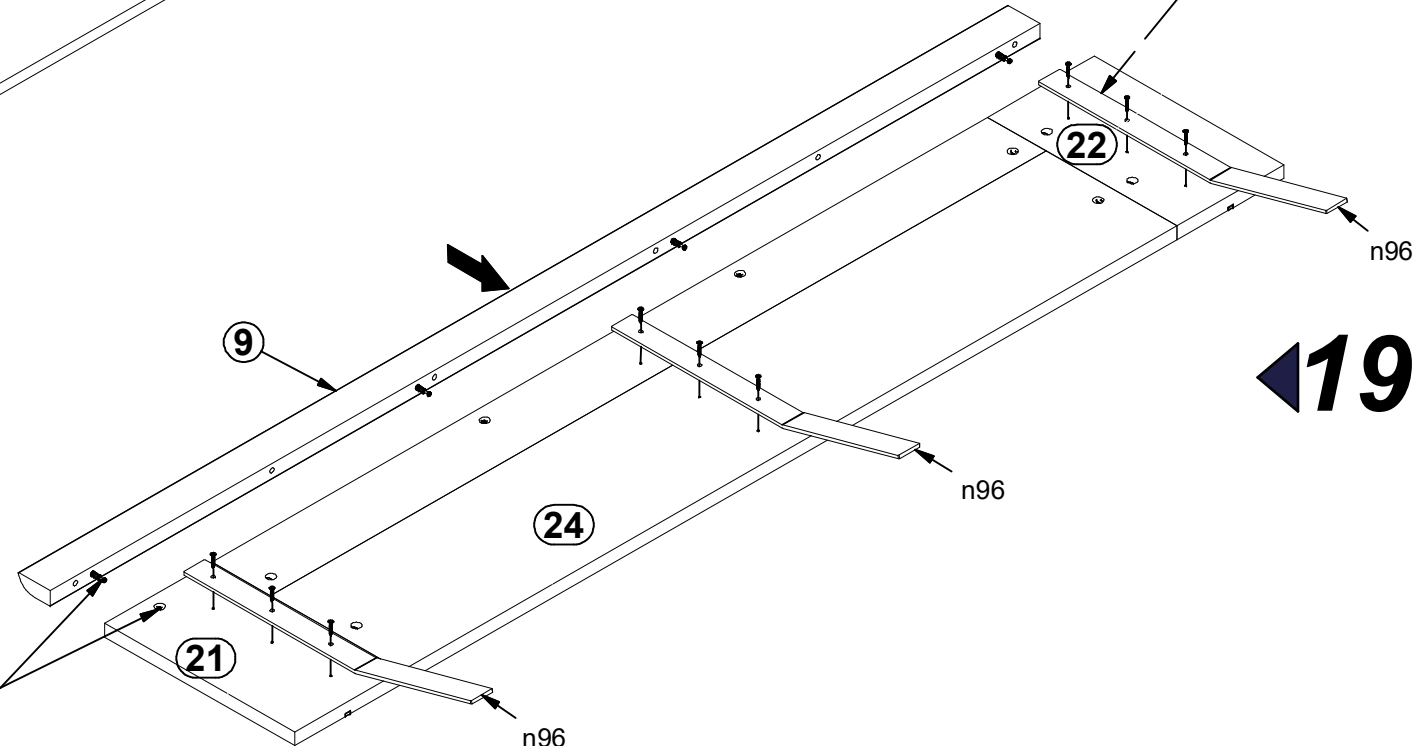


18 ▶

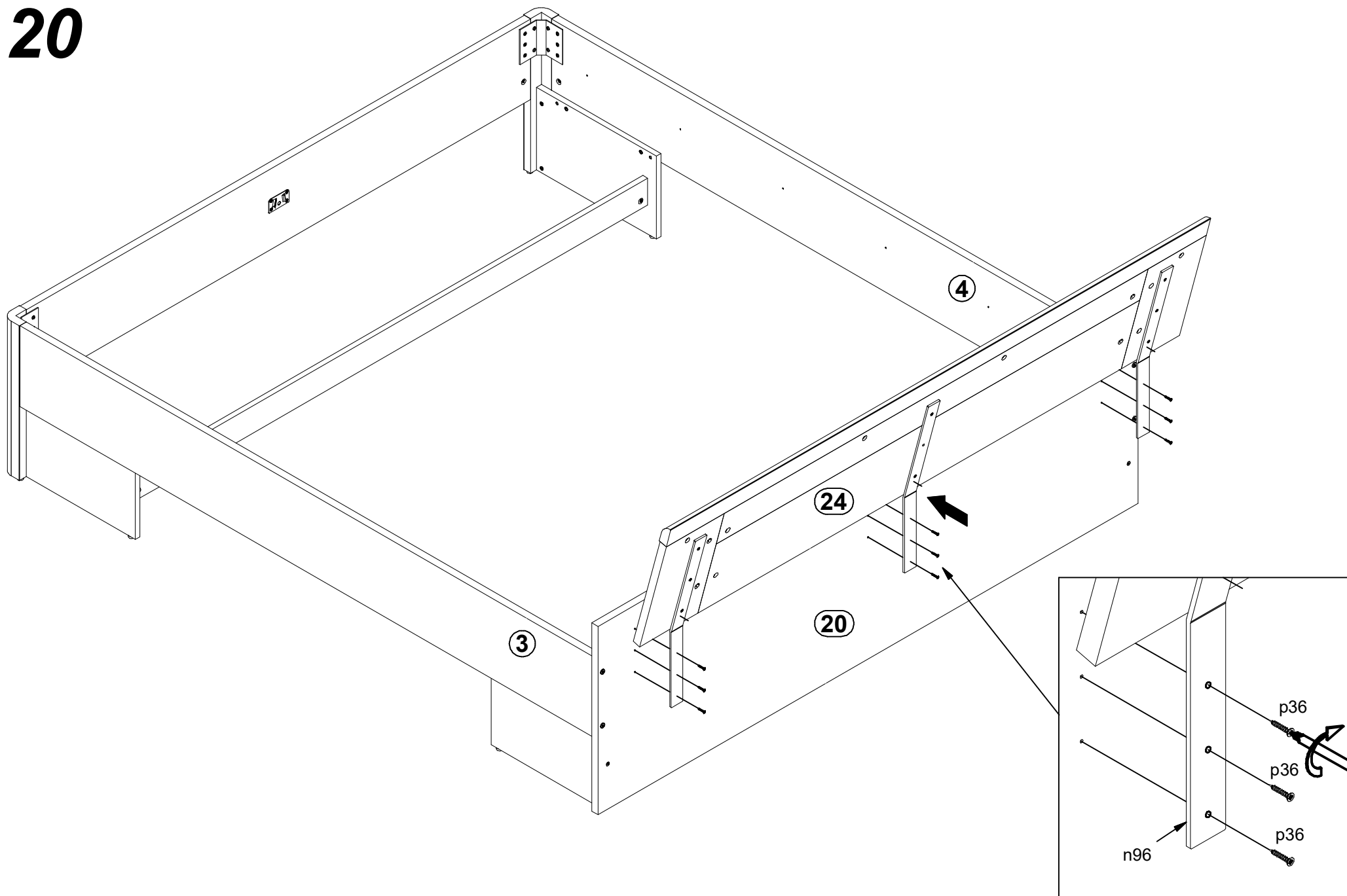


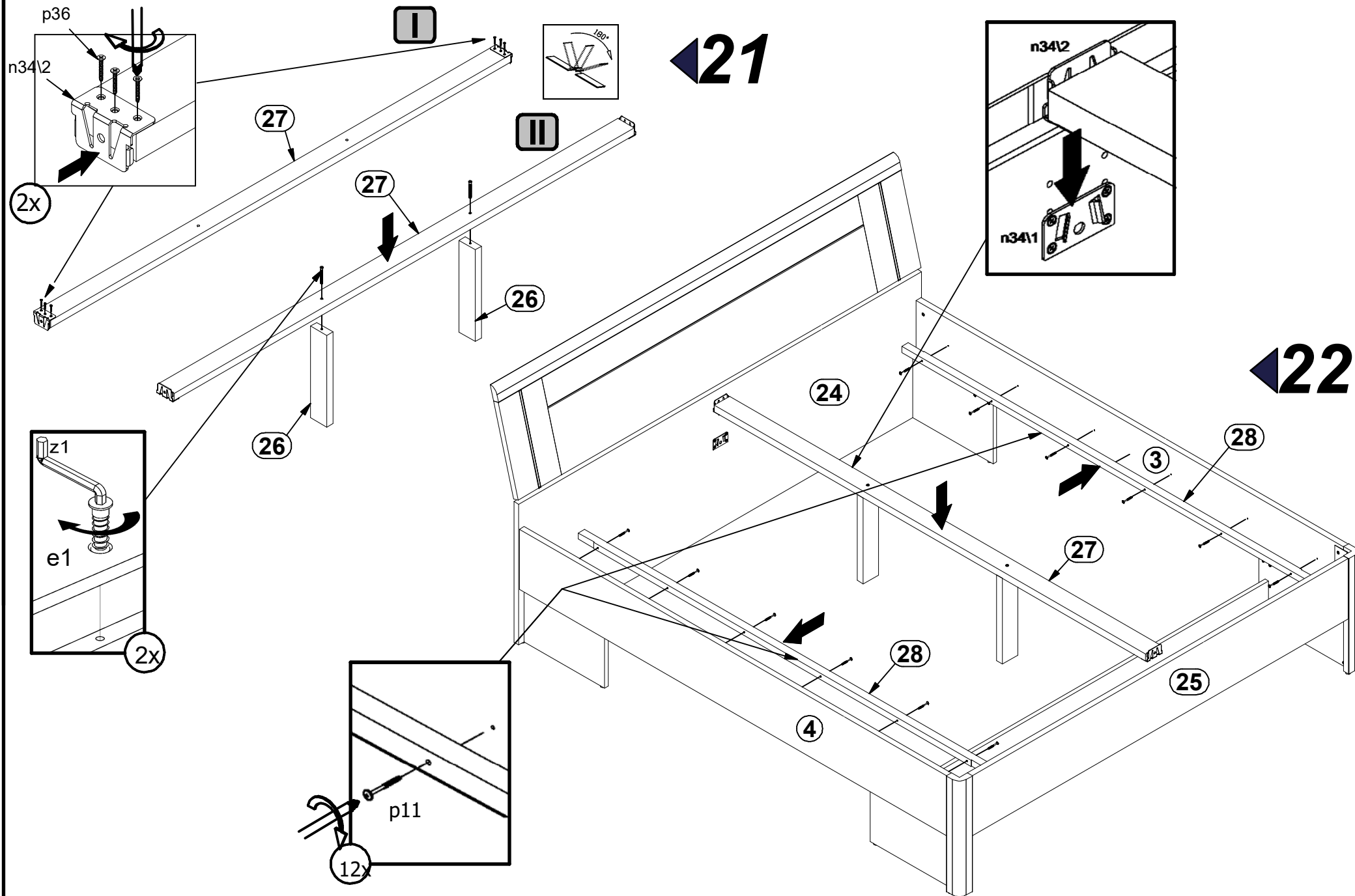
3x

▶ 19



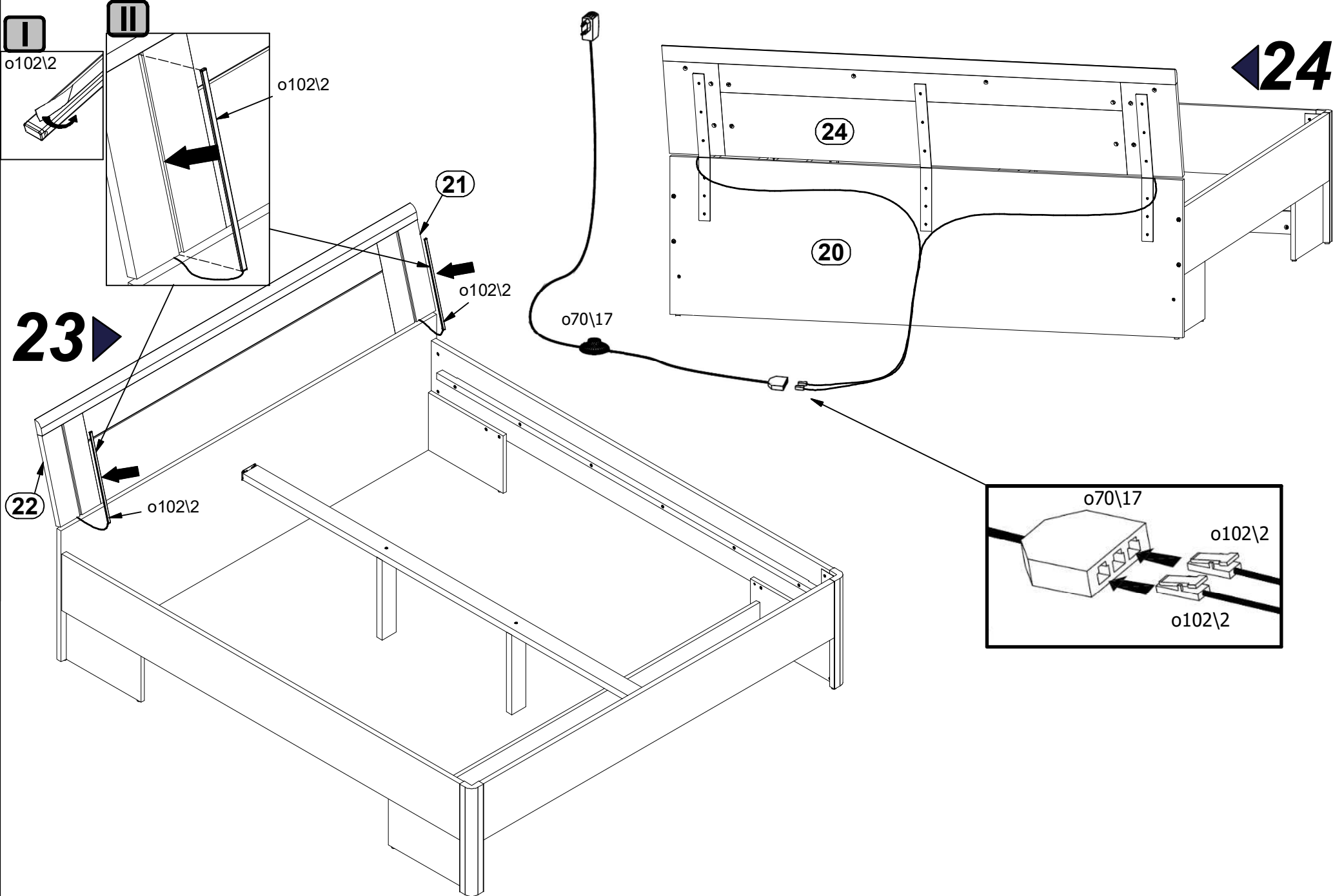
20

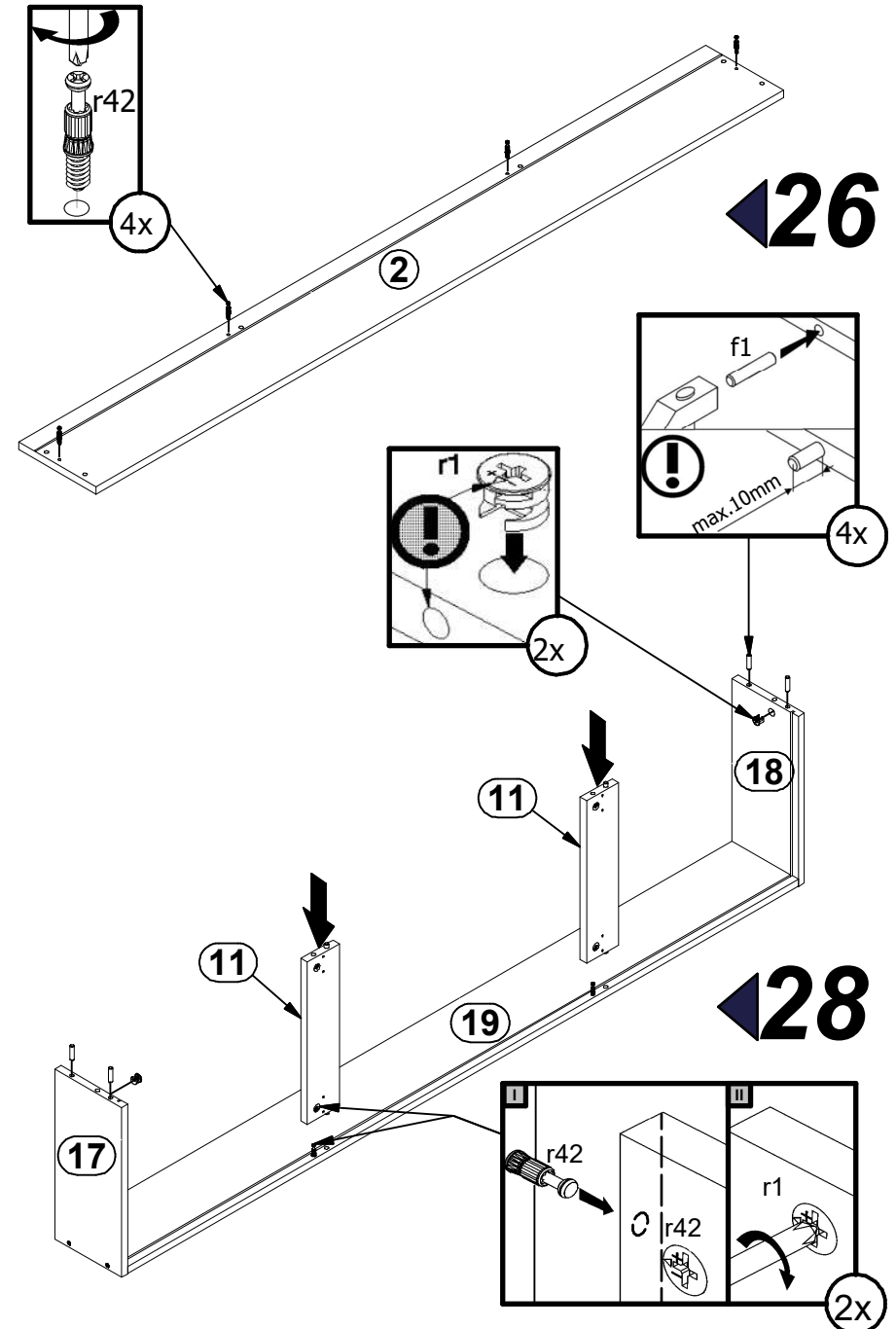
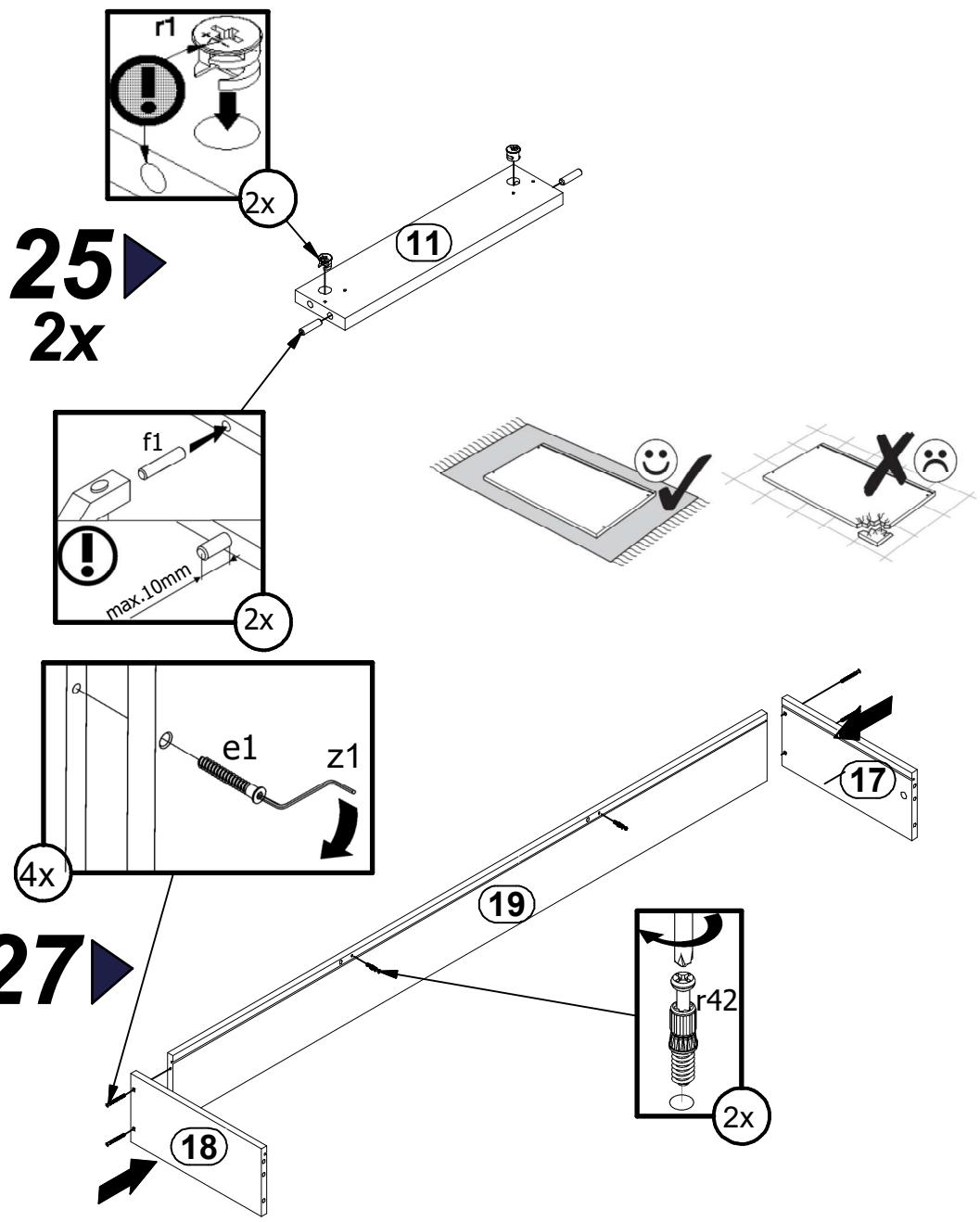


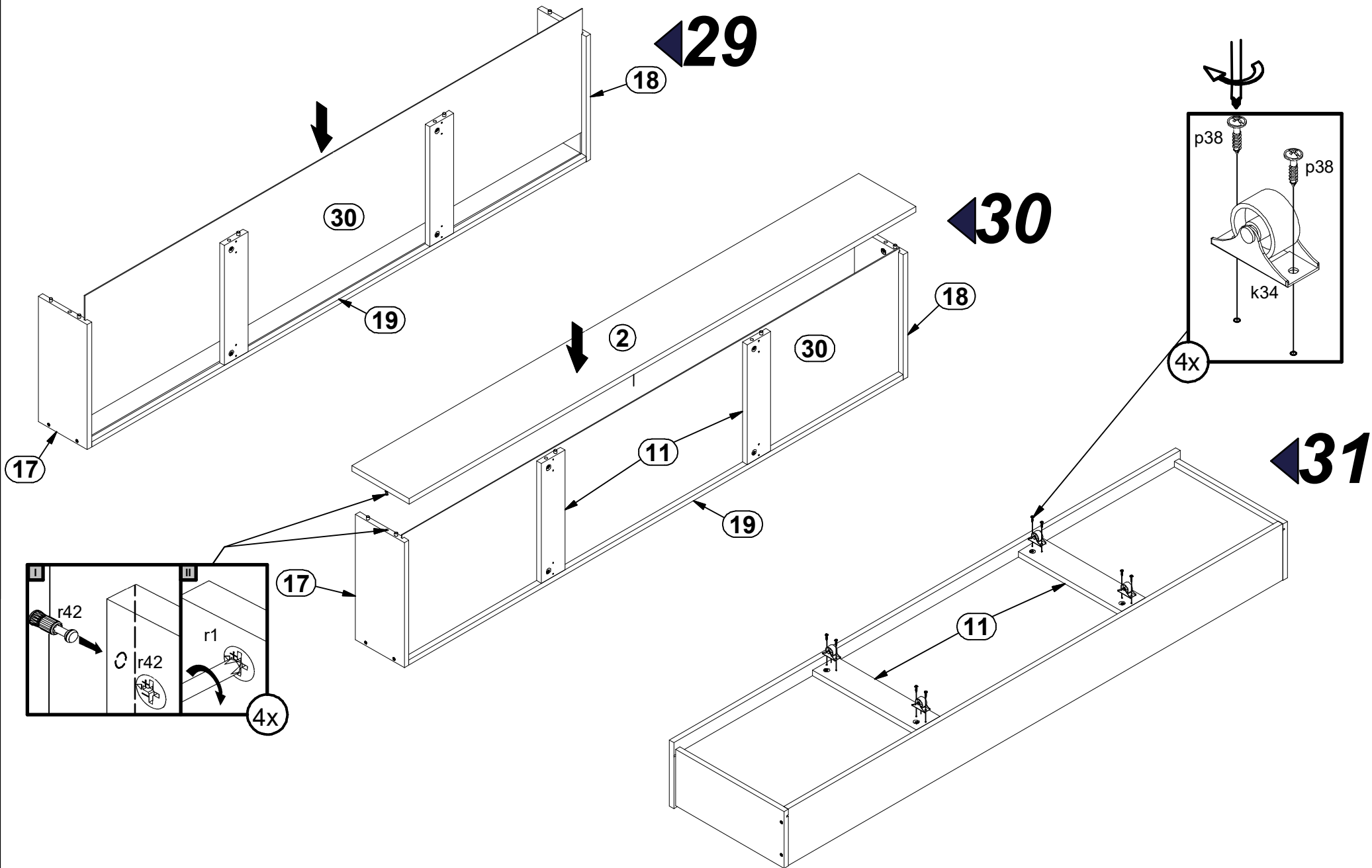


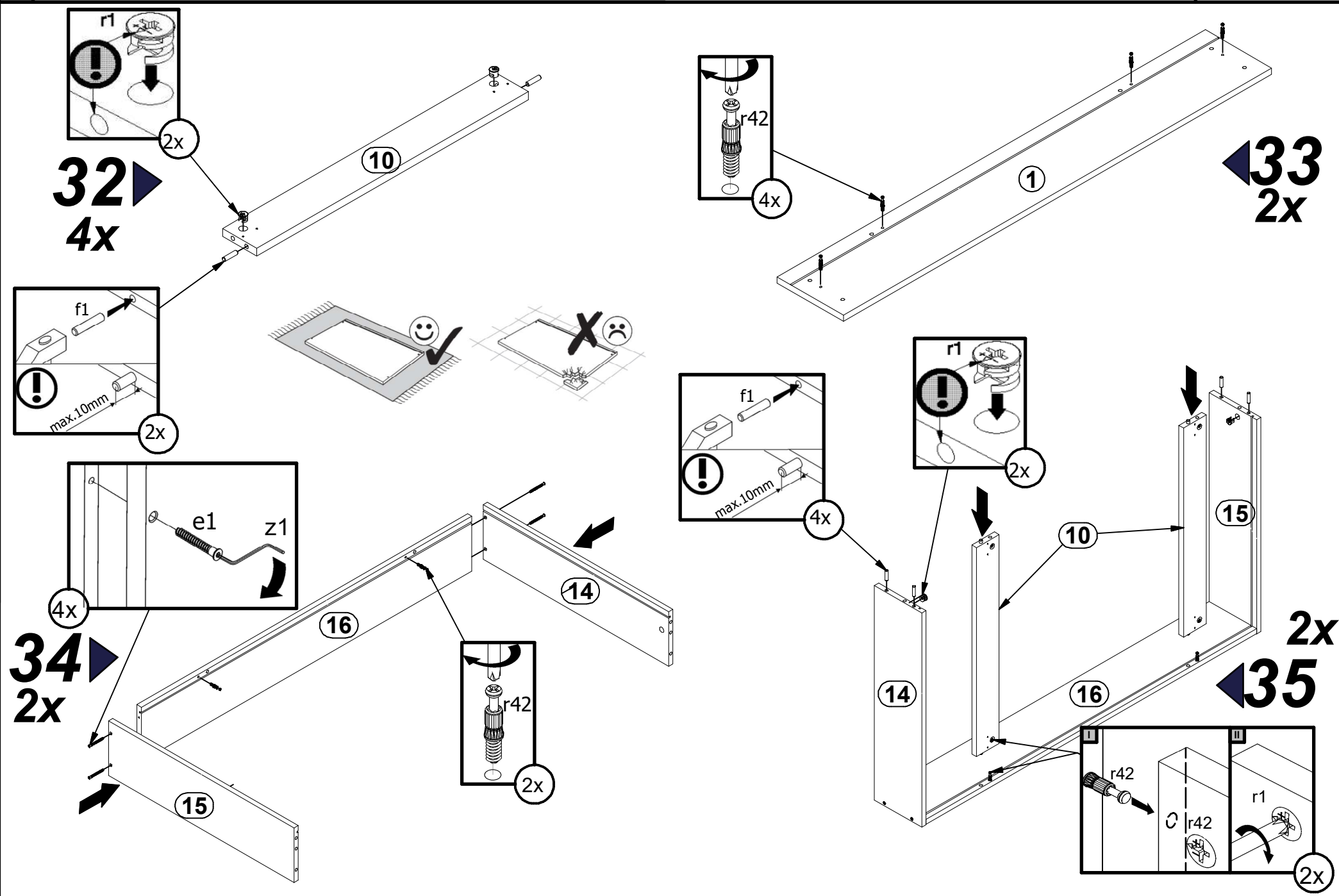
A

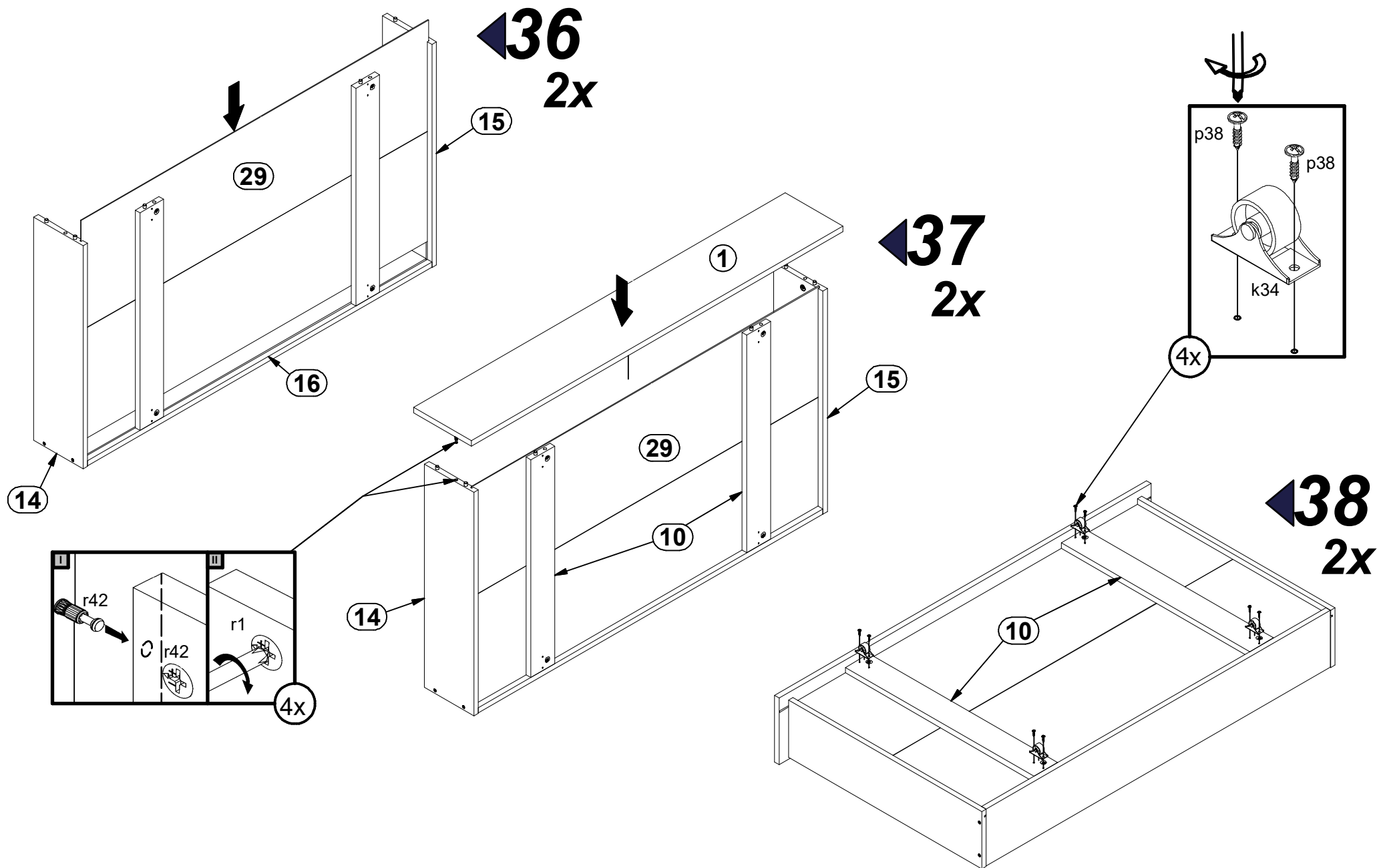
L141-LOZ3S











39

