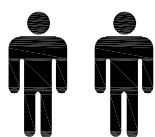
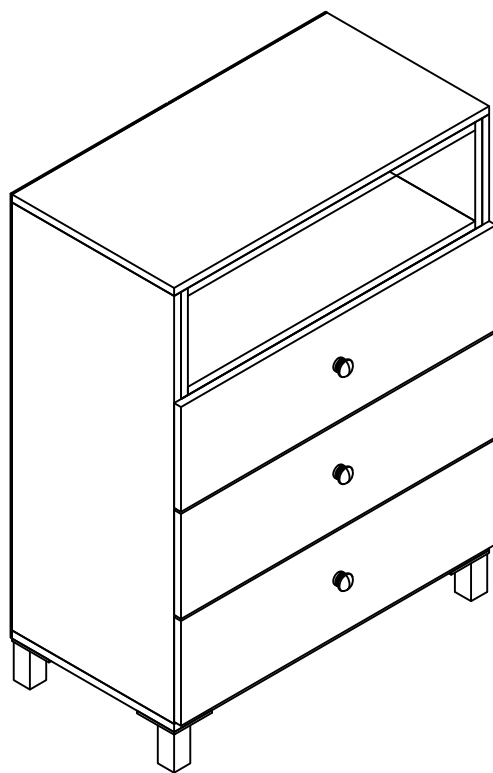
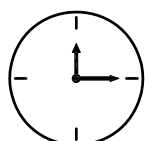


29940068-02

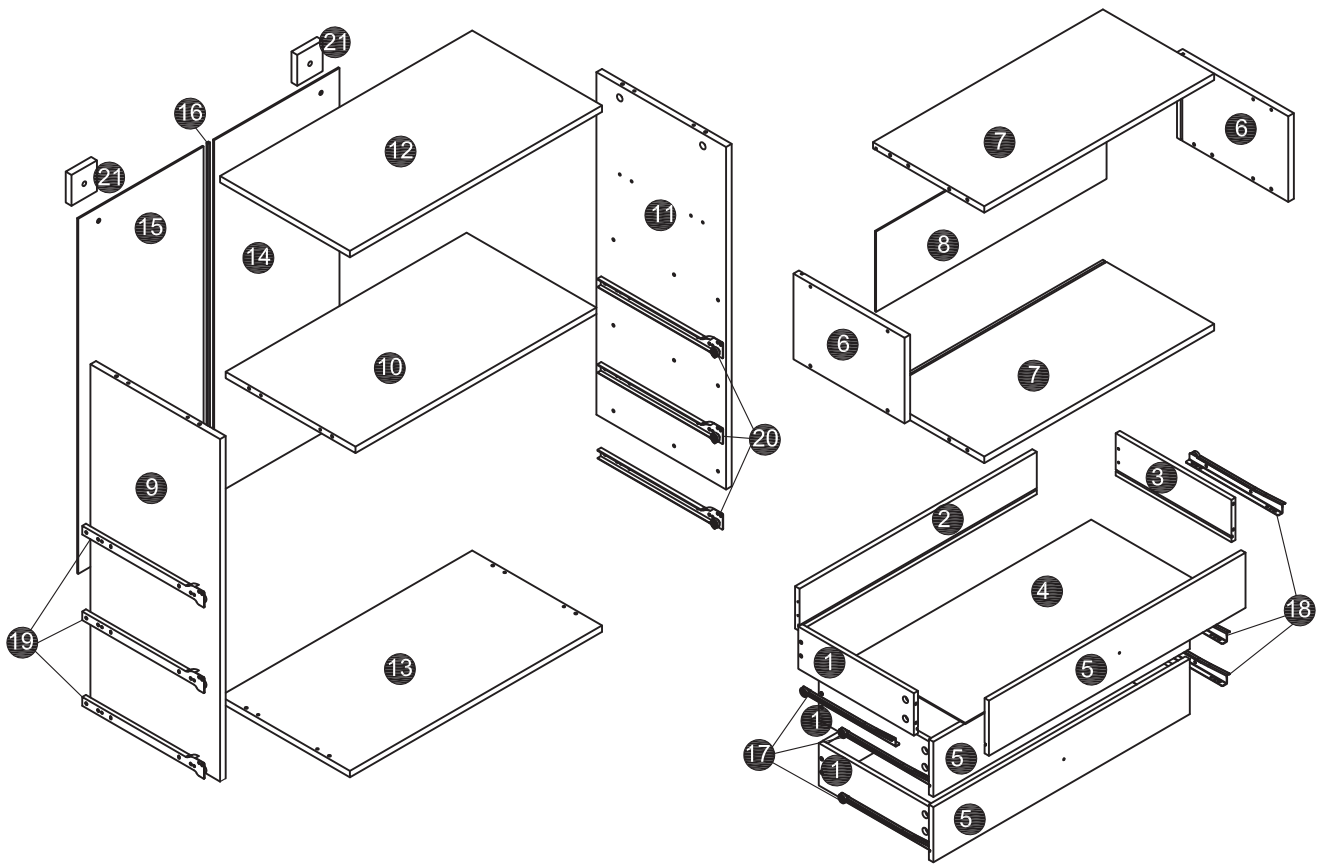
HF-8817252



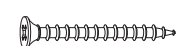


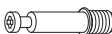
2 PERS.





60 MIN





L	x 3	M	x 2	N	x 2
					
M4x16mm				M4x40mm	


A	x 20
	
Ø6X35mm	


B	x 20
	
Ø15X10mm	


C	x 4
	

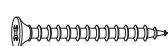
D	x 20
	
Ø6x30mm	


E	x 22
	
Φ1.5x20mm	

F	x 3
	

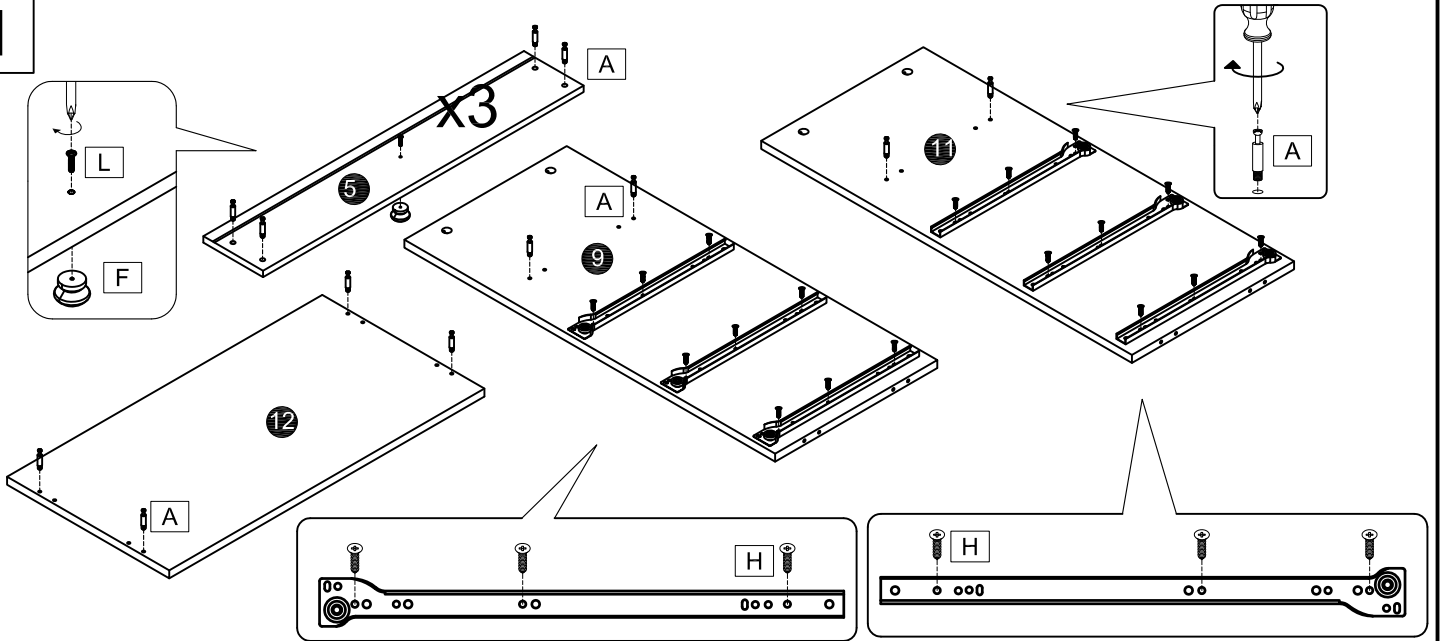
G	x 12
	

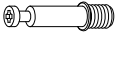
H	x 36
	
M3x12mm	

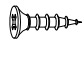
J	x 24
	
M4x30mm	


K	x 16
	
M4x16mm	


1



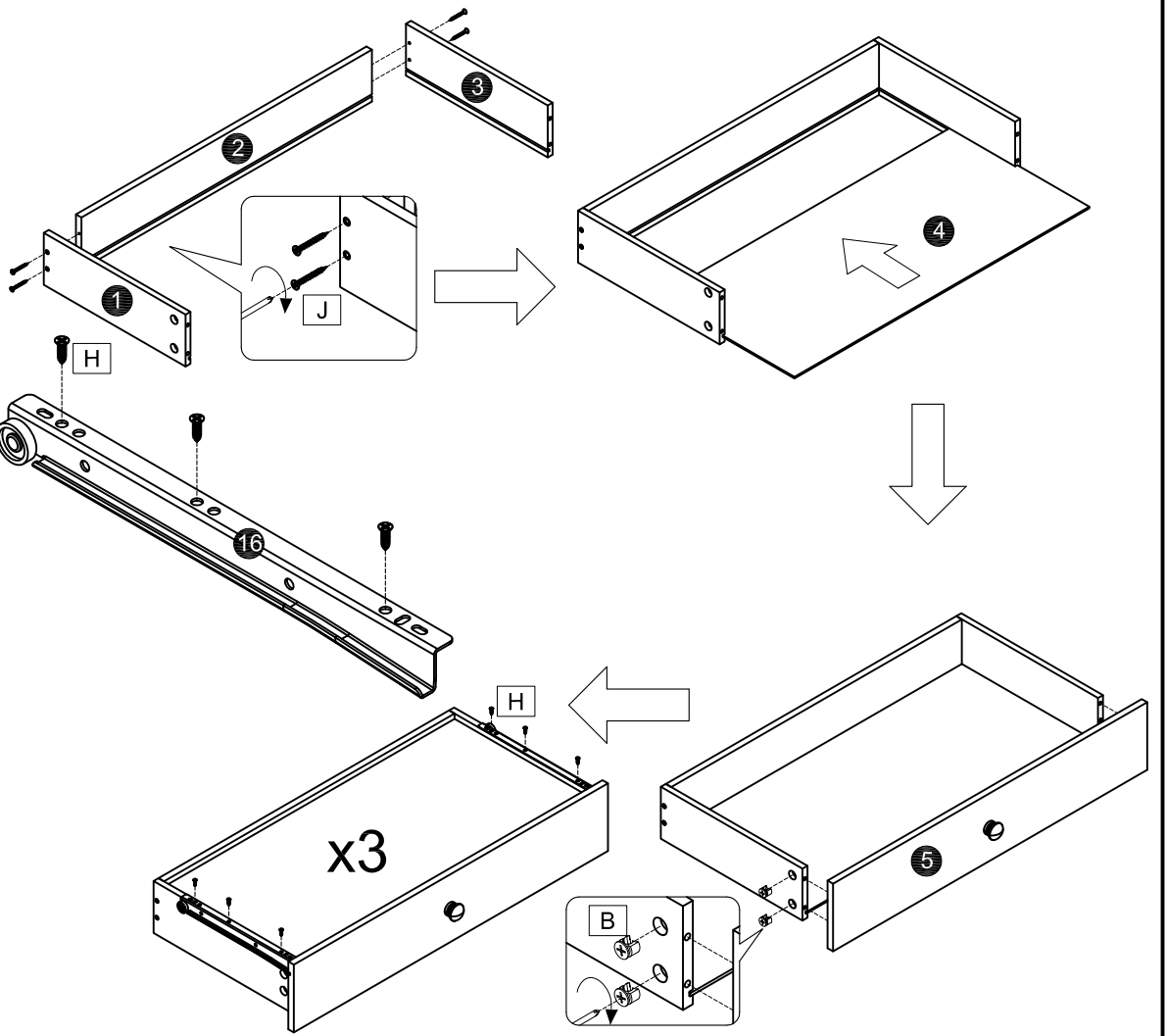
A	x 20
	
Ø6X35mm	

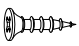
H	x 18
	
M3x12mm	

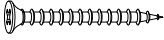
L	x 3
	
M4x16mm	


F	x 3
	

2

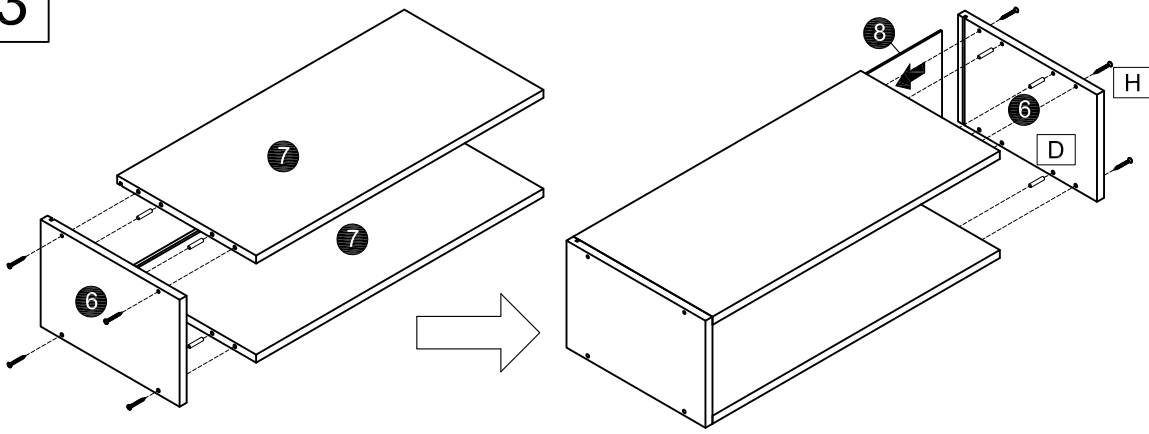


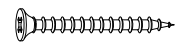
H	x 18
	
M3x12mm	


J	x 12
	
M4x30mm	

B	x 12
	
Ø15X10mm	

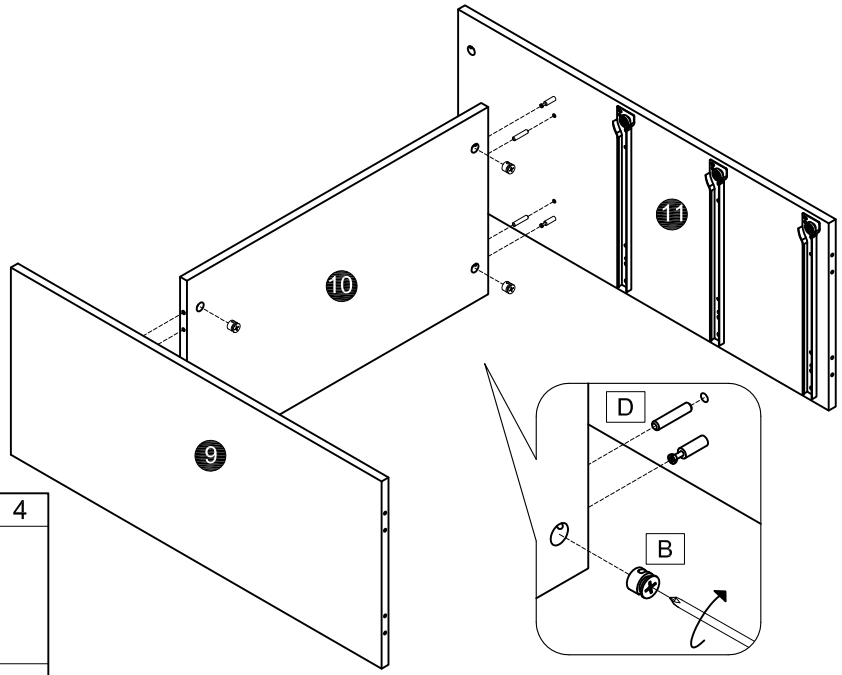
3




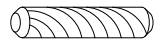
J	x 8
	
M4x30mm	

D	x 8
	
Ø6x30mm	

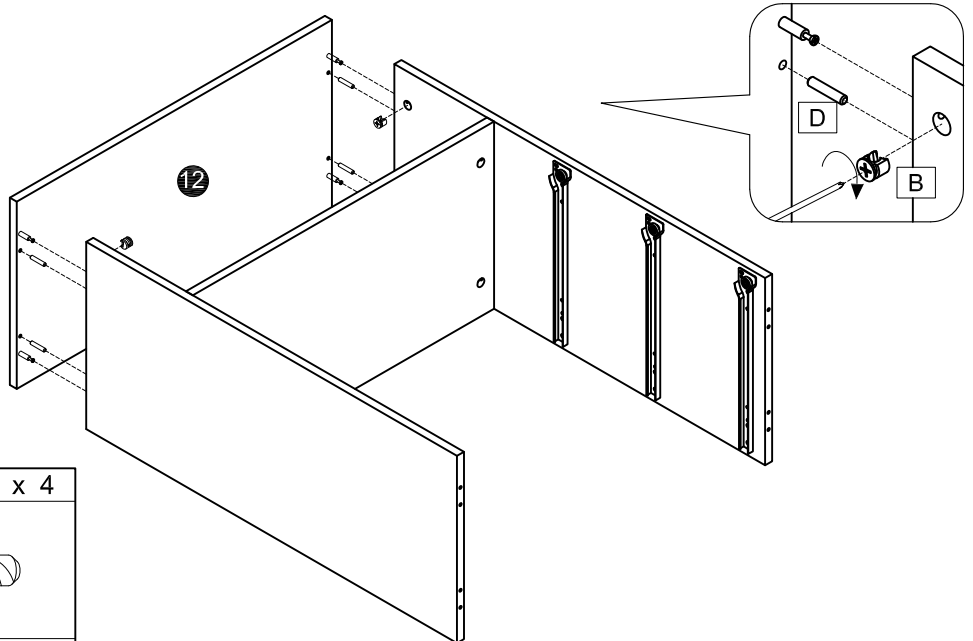
4





B	x 4
	
Ø15X10mm	

D	x 4
	
Ø6x30mm	


5




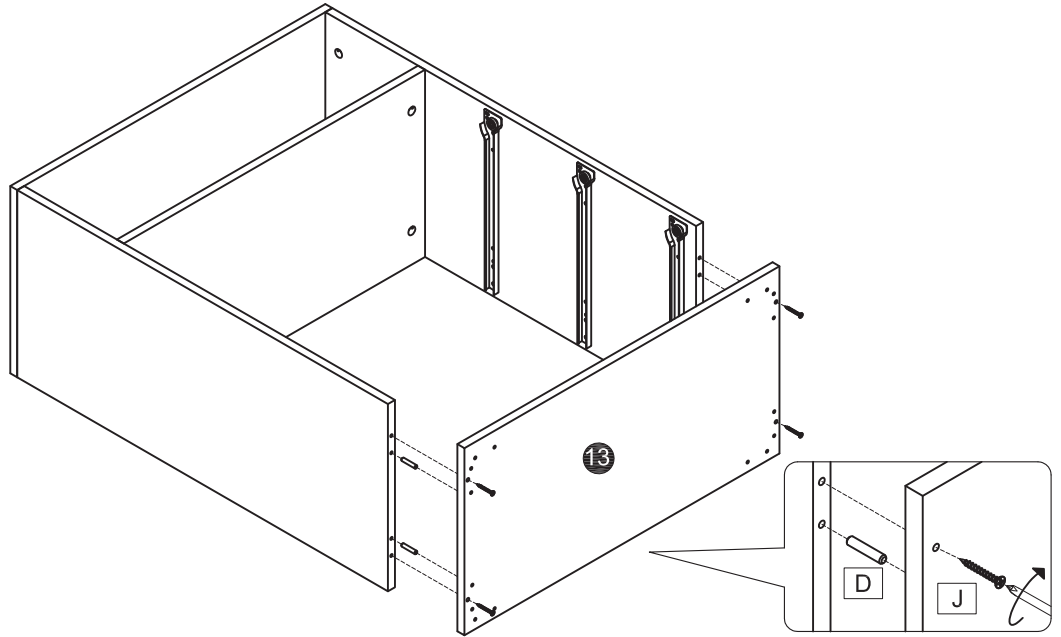
B	x 4
	
Ø15X10mm	

D	x 4
	
Ø6x30mm	

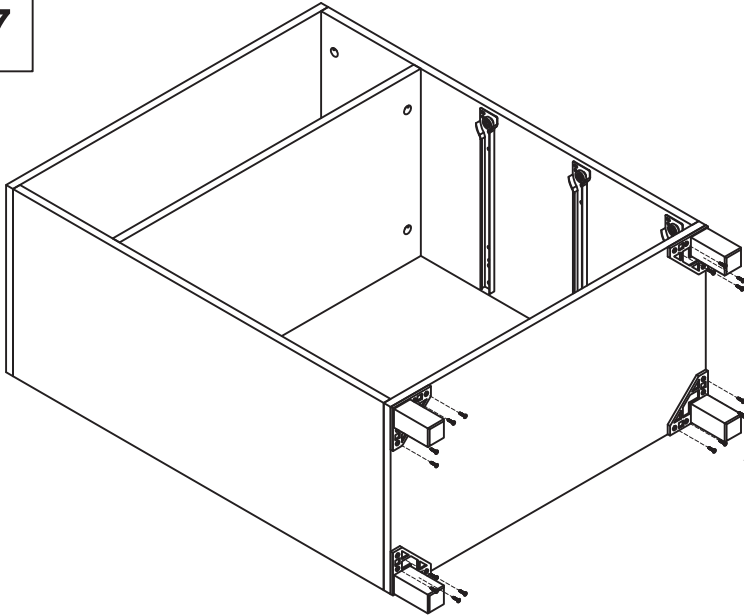
6


D	x 4
	
<p>Ø6x30mm</p>	


J	x 4
	
<p>M4x30mm</p>	

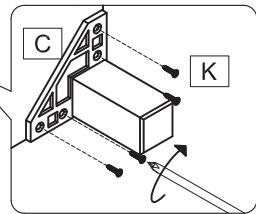


7

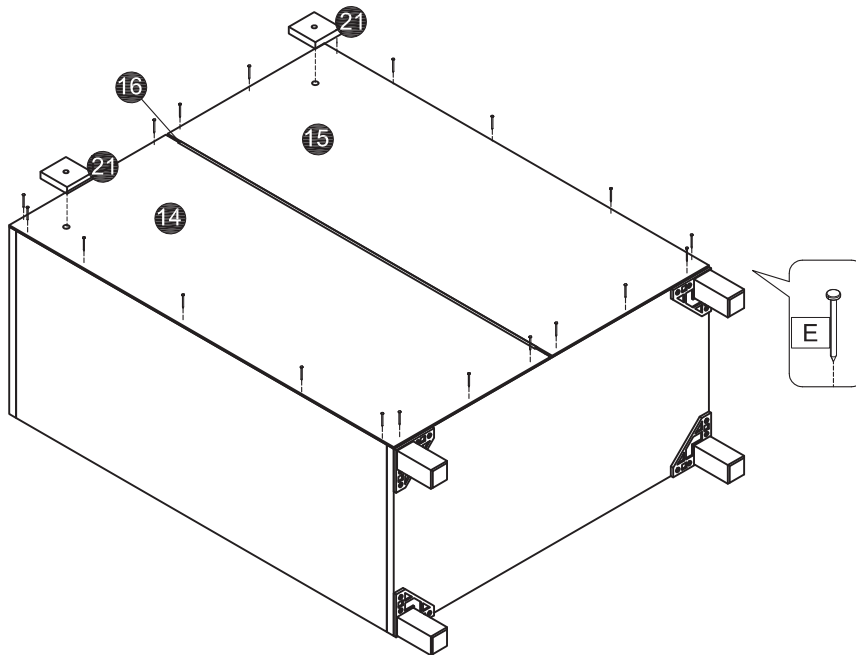



C	x 4
	

K	x 16
	
<p>M4x16mm</p>	

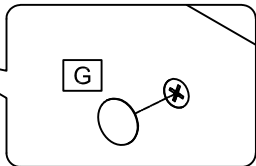
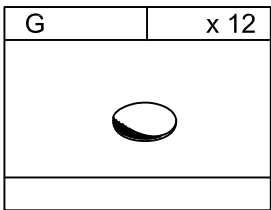
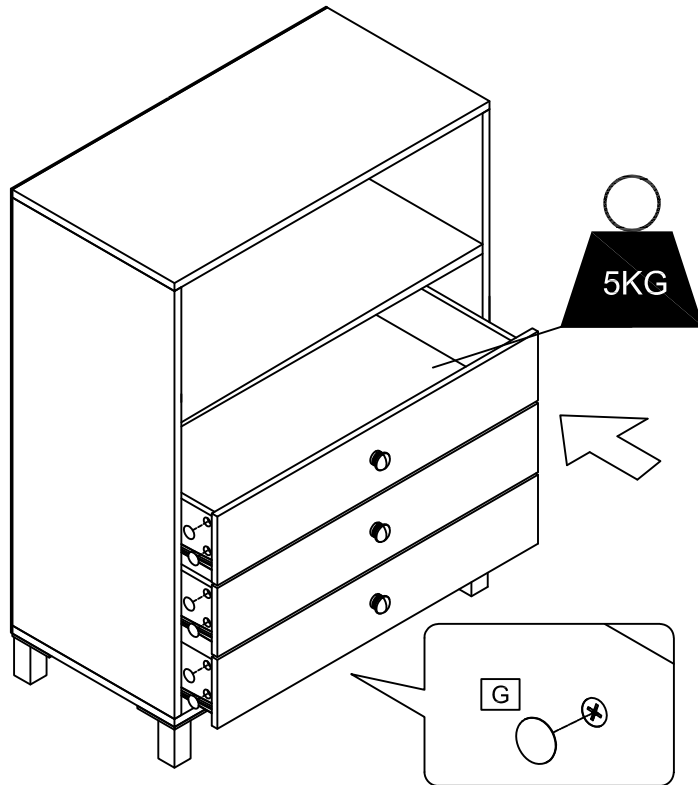


8

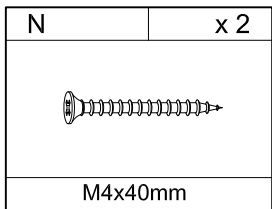
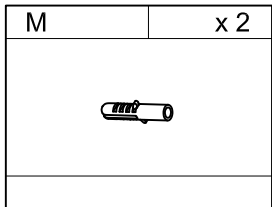
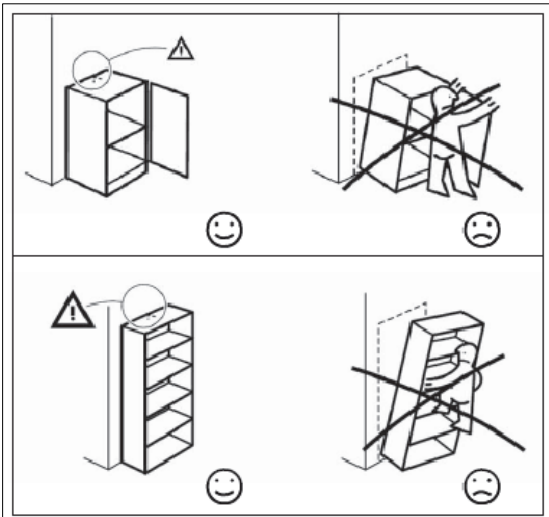
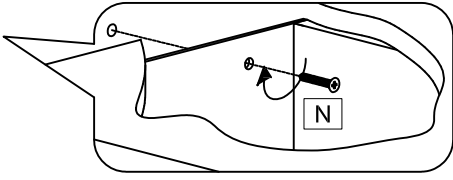
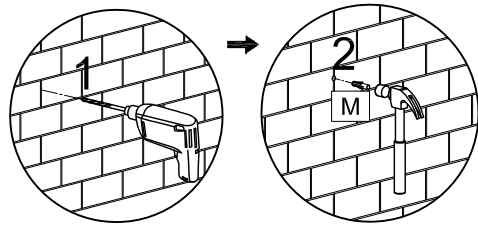
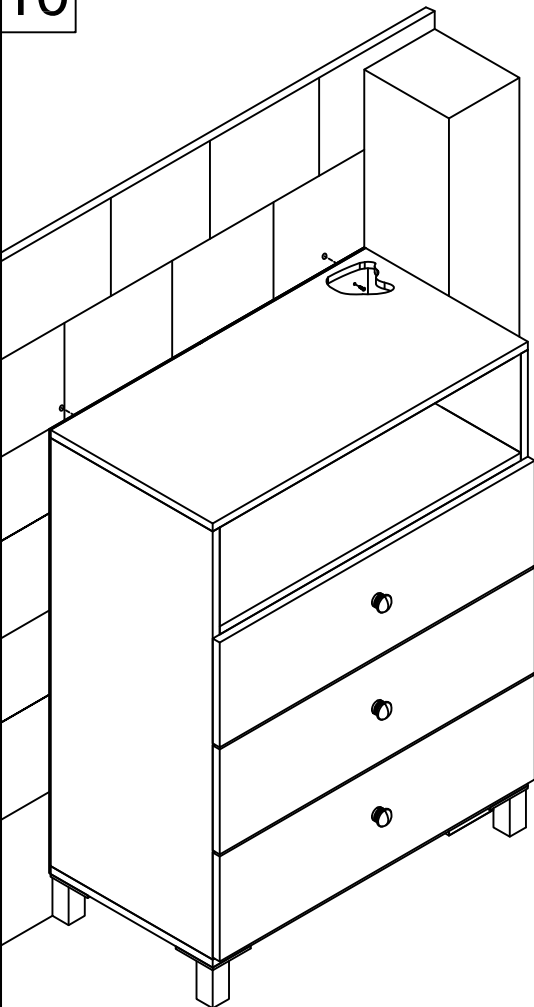


E	x 22
	
<p>Ø1.5x20mm</p>	

9



10



11

