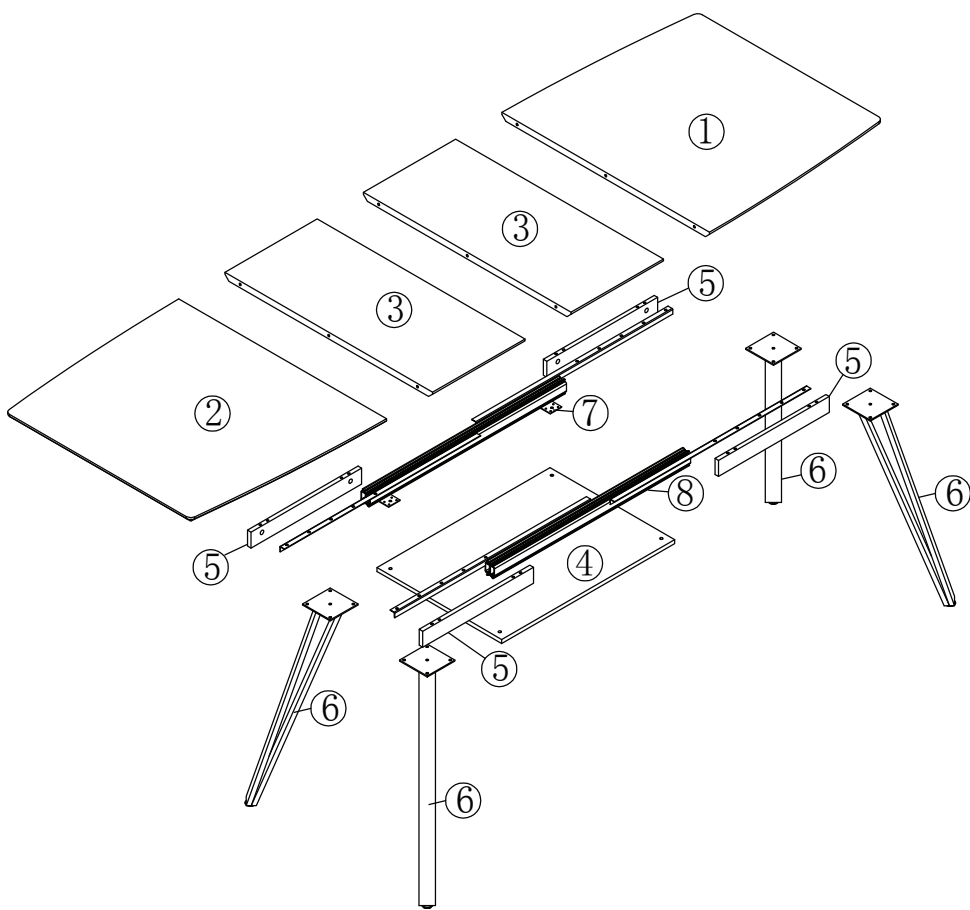
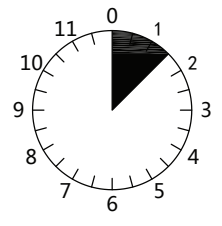
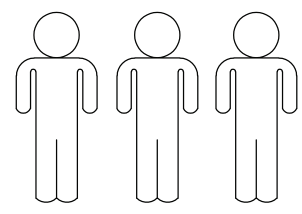
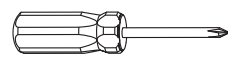
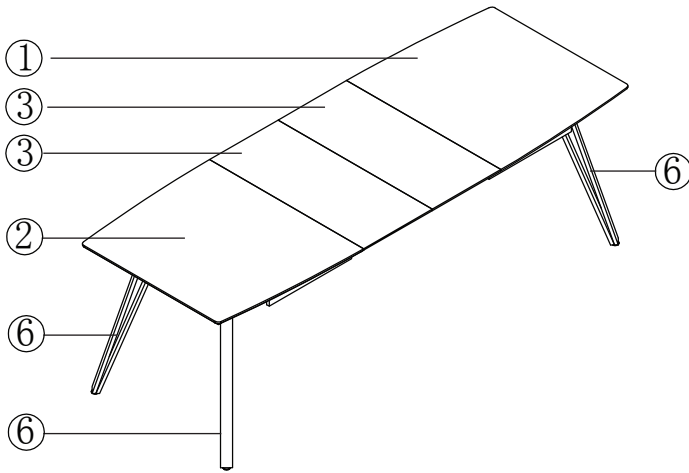


ISABELLE 00390016/01

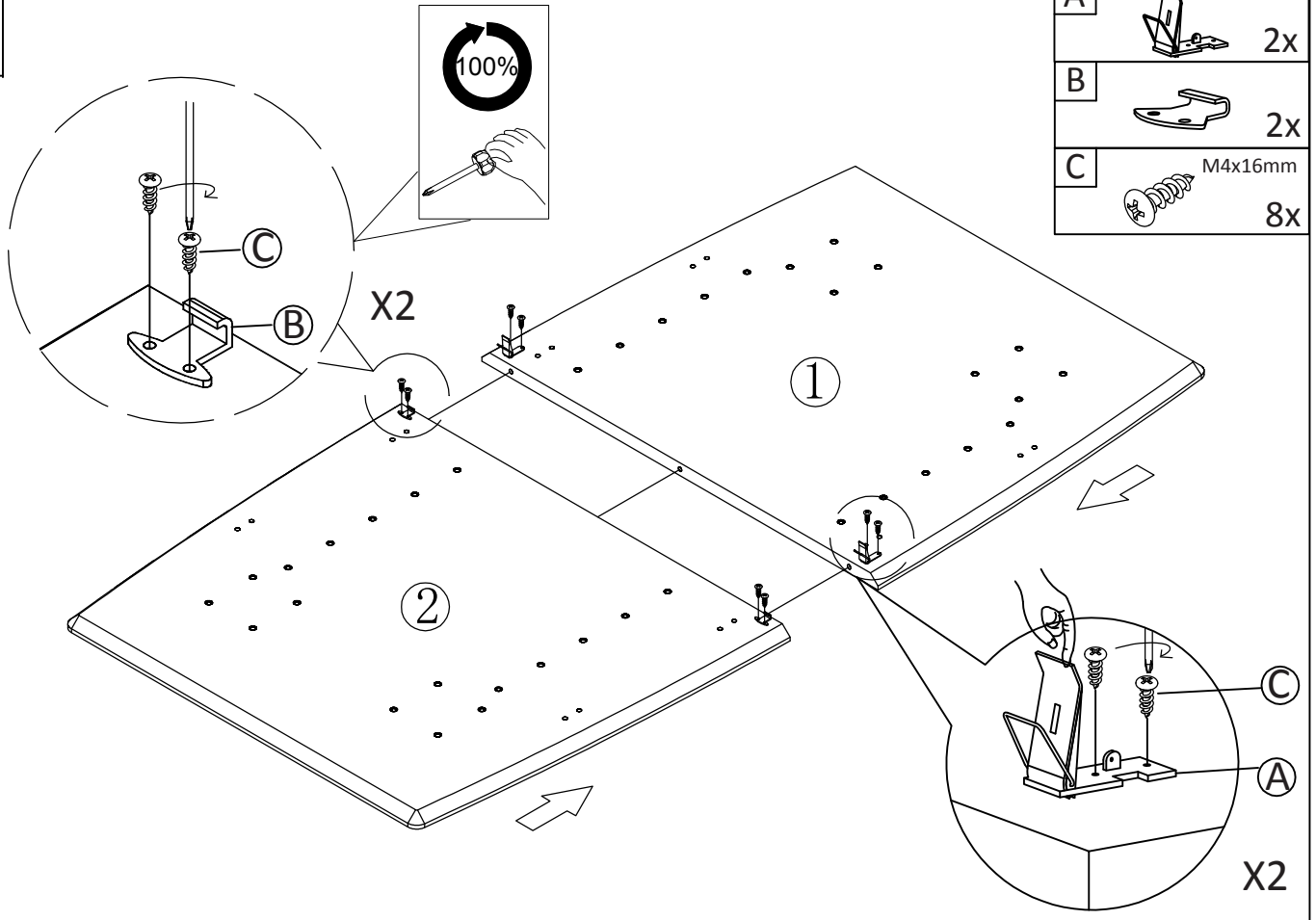


1	1x	1/2
2	1x	1/2
3	2x	1/2
4	1x	1/2
5	4x	1/2
6	4x	2/2
7	1x	2/2
8	1x	2/2

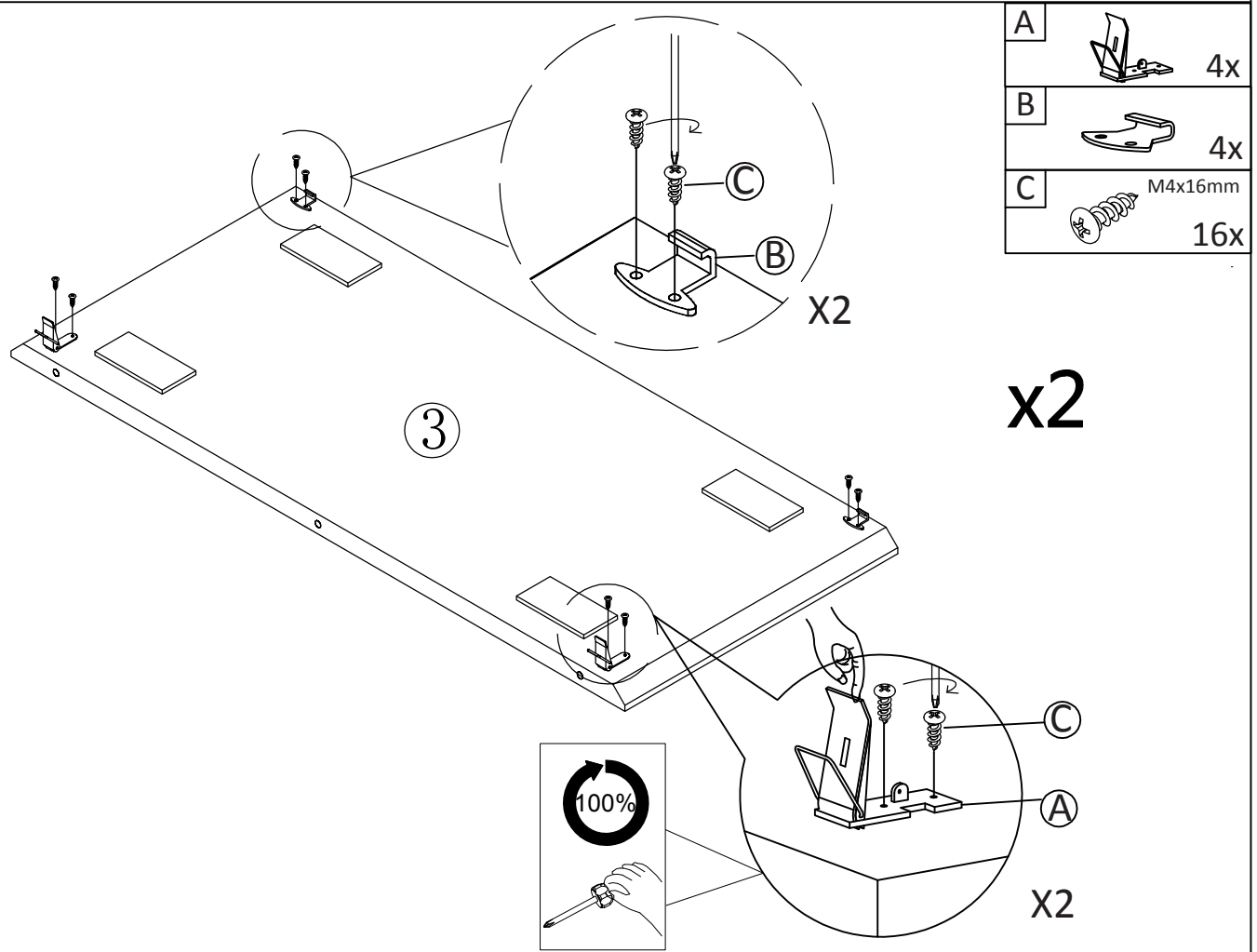
A	B	C M4x16mm	D M6x32mm	E	F ø8x30mm	G M6x20mm	H ø15xø6x1mm	I M6
6x	6x	24x	8x	8x	8x	36x	36x	36x
J ø25xø8x2mm	K M6x35mm	L ø20xø10x10mm	M M6	N M4	O M10	P	Q	R
4x	4x	4x	4x	1x	1x	4x	1x	2x

I.

1

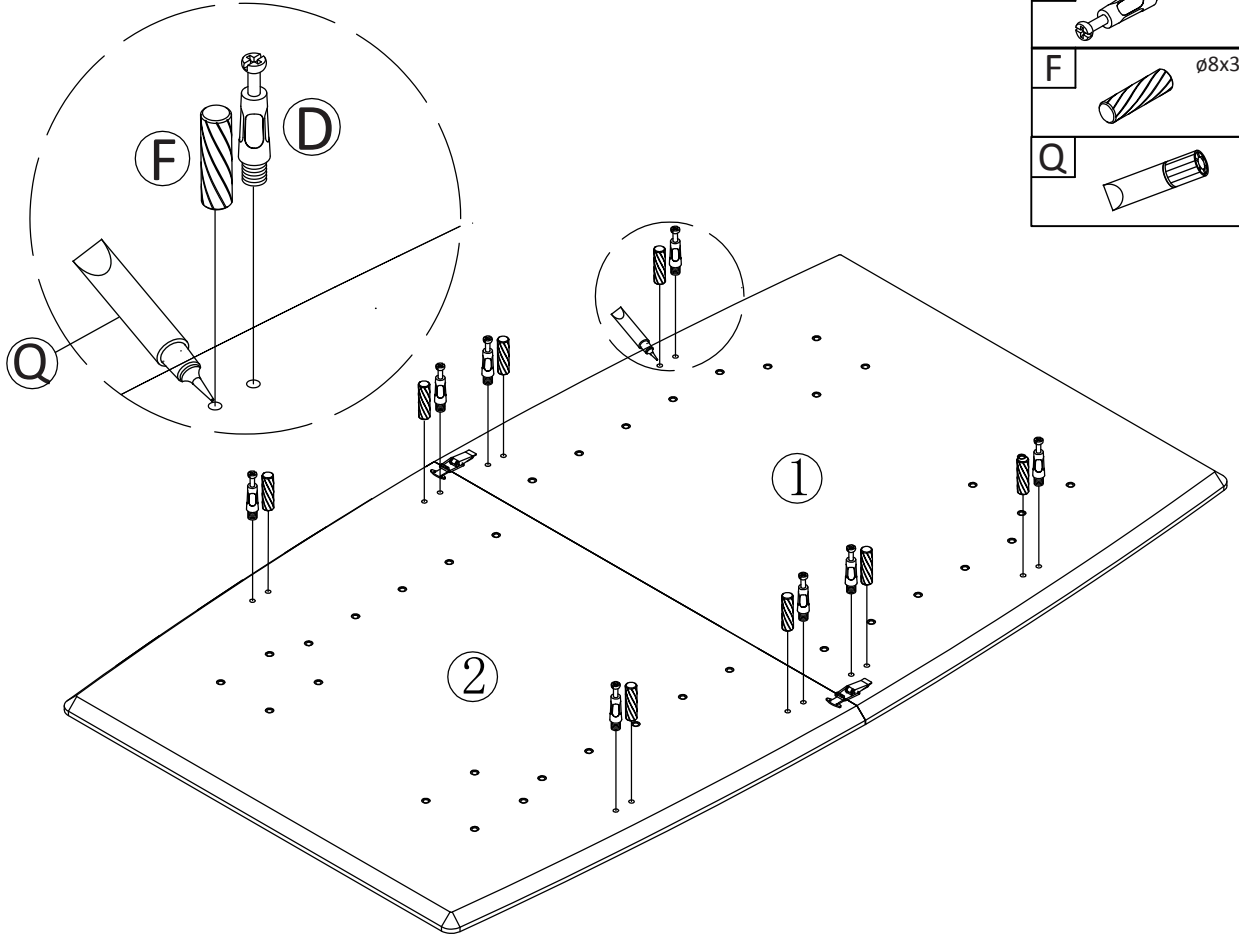


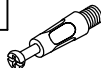

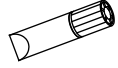
2



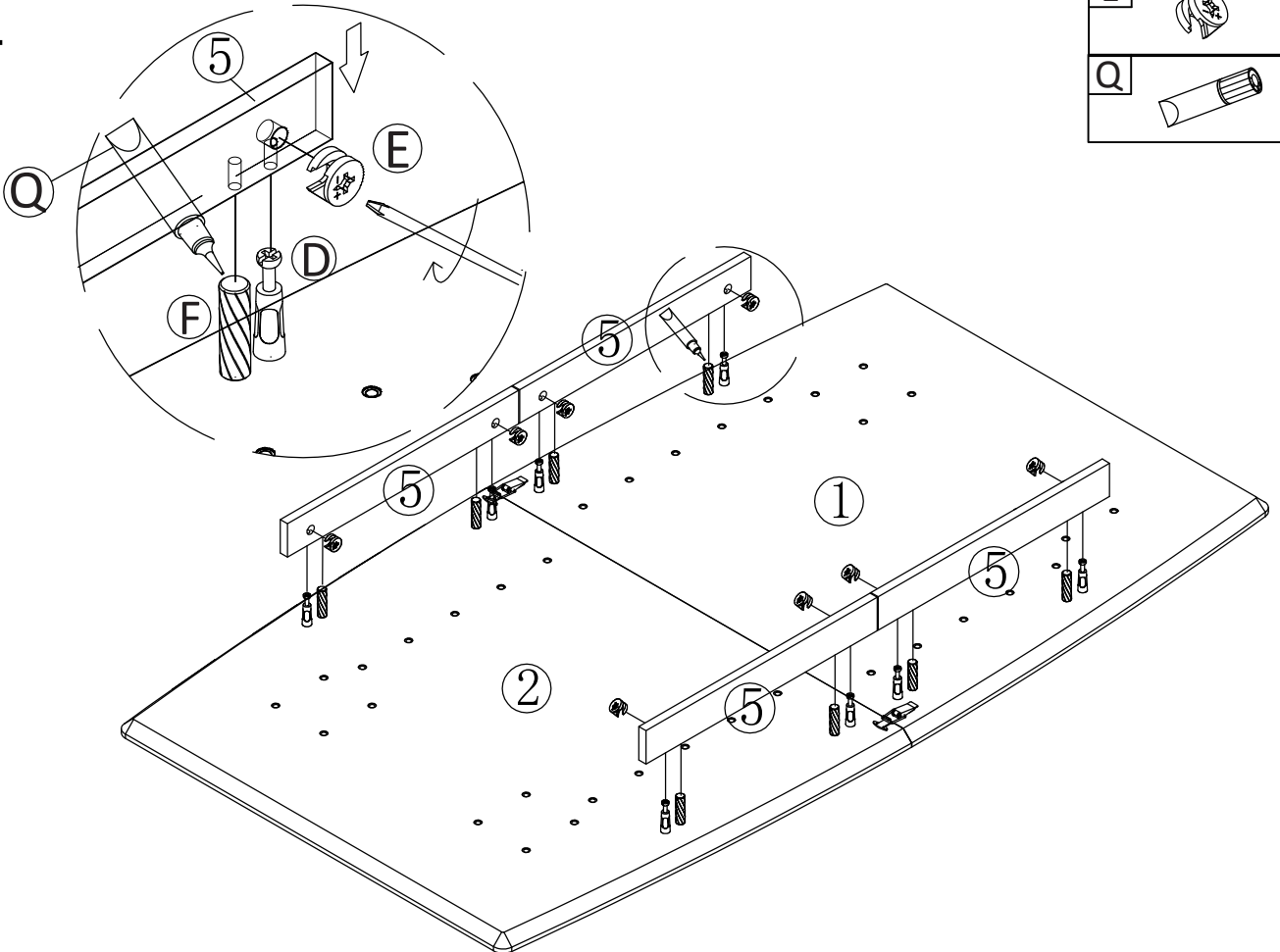
II.


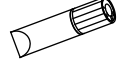
3



D		M6x32mm
		8x
F		ø8x30mm
		8x
Q		
		1x

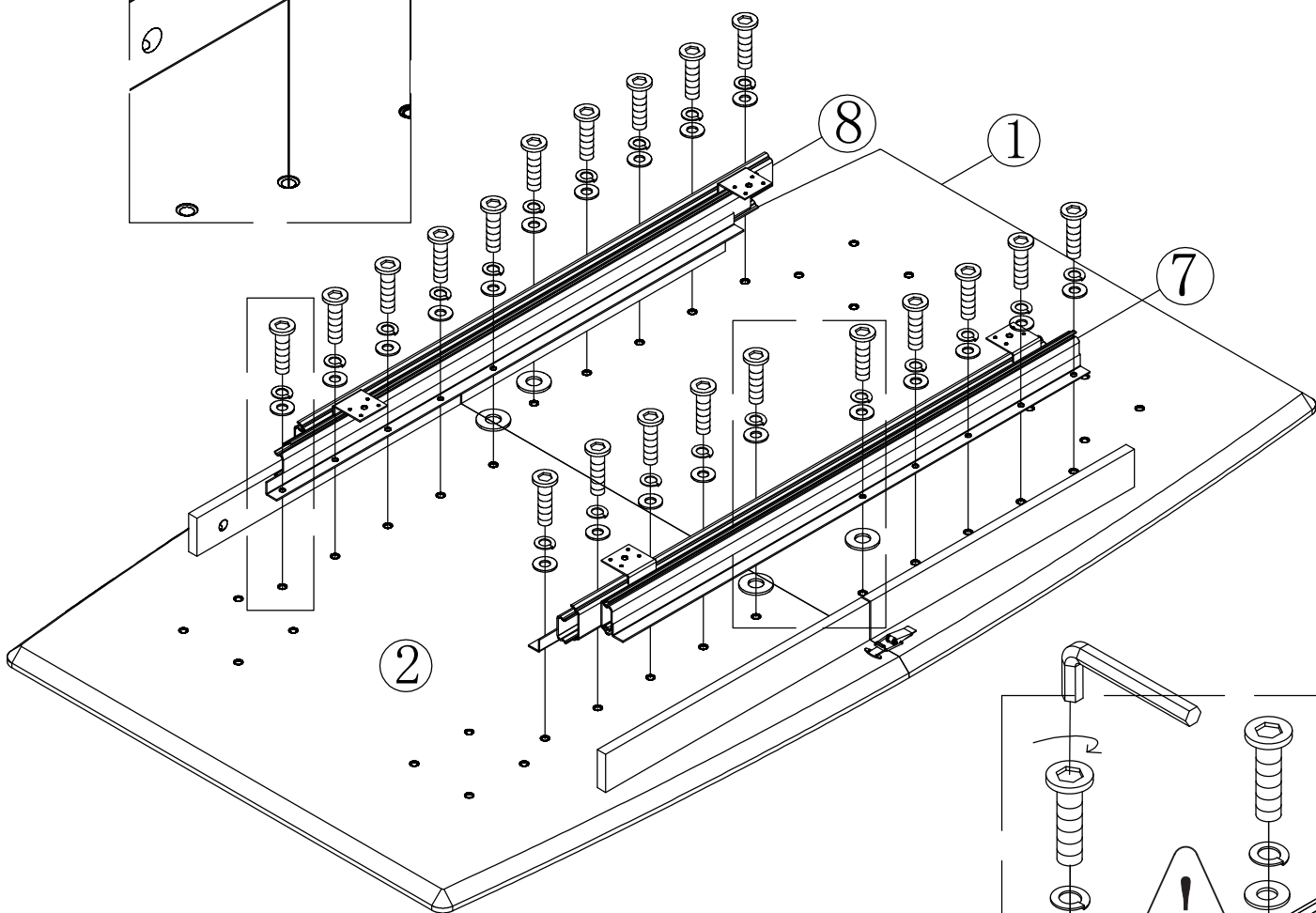
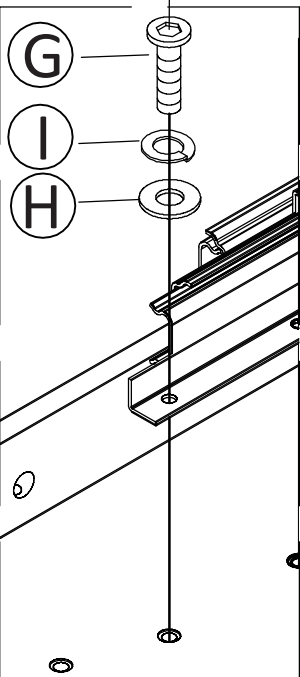
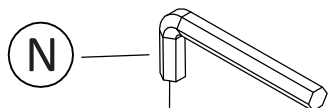
4

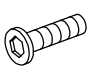






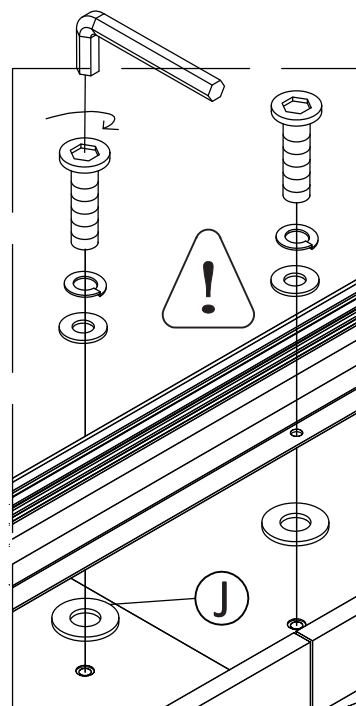
E		
		8x
Q		
		1x

III.

5

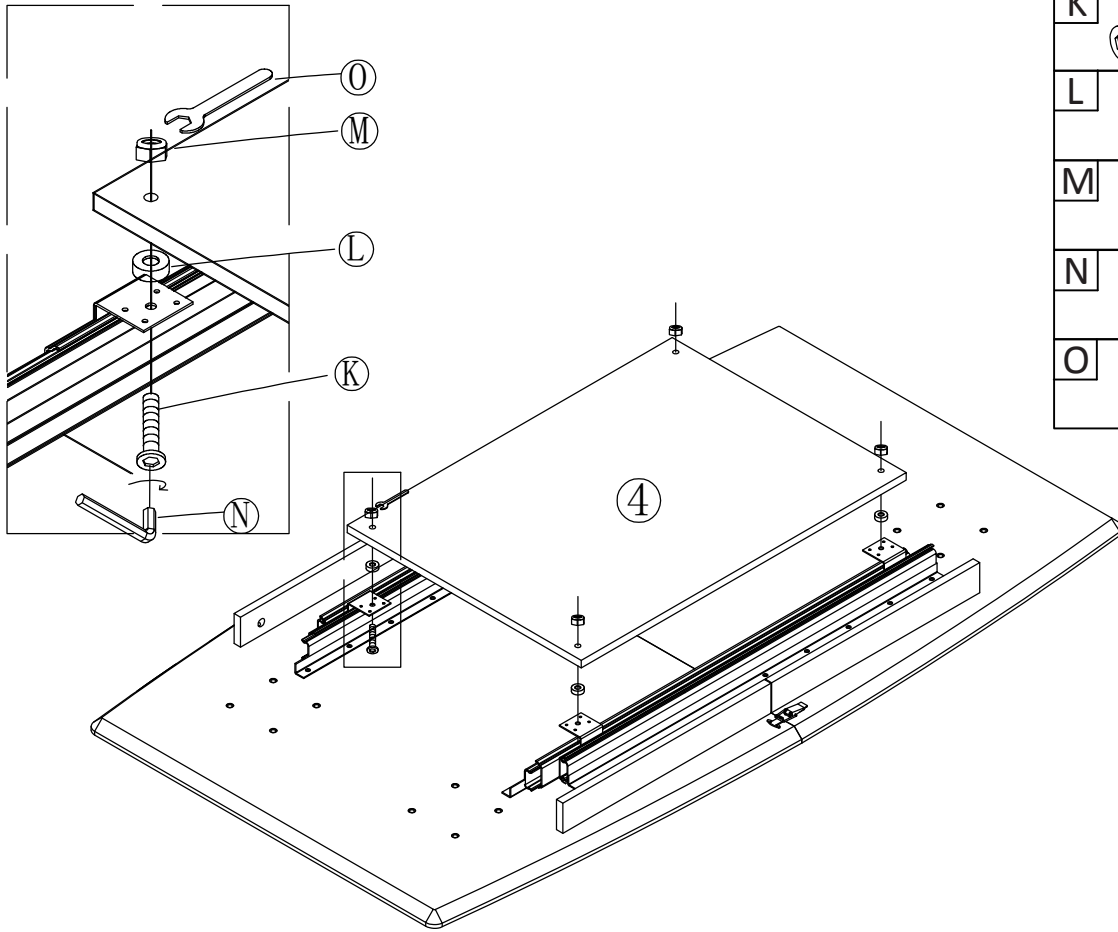


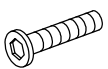

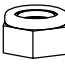


G		M6x20mm
		20x
H		ø15xø6x1mm
		20x
I		M6
		20x
J		ø25xø8x2mm
		4x
N		M4
		1x



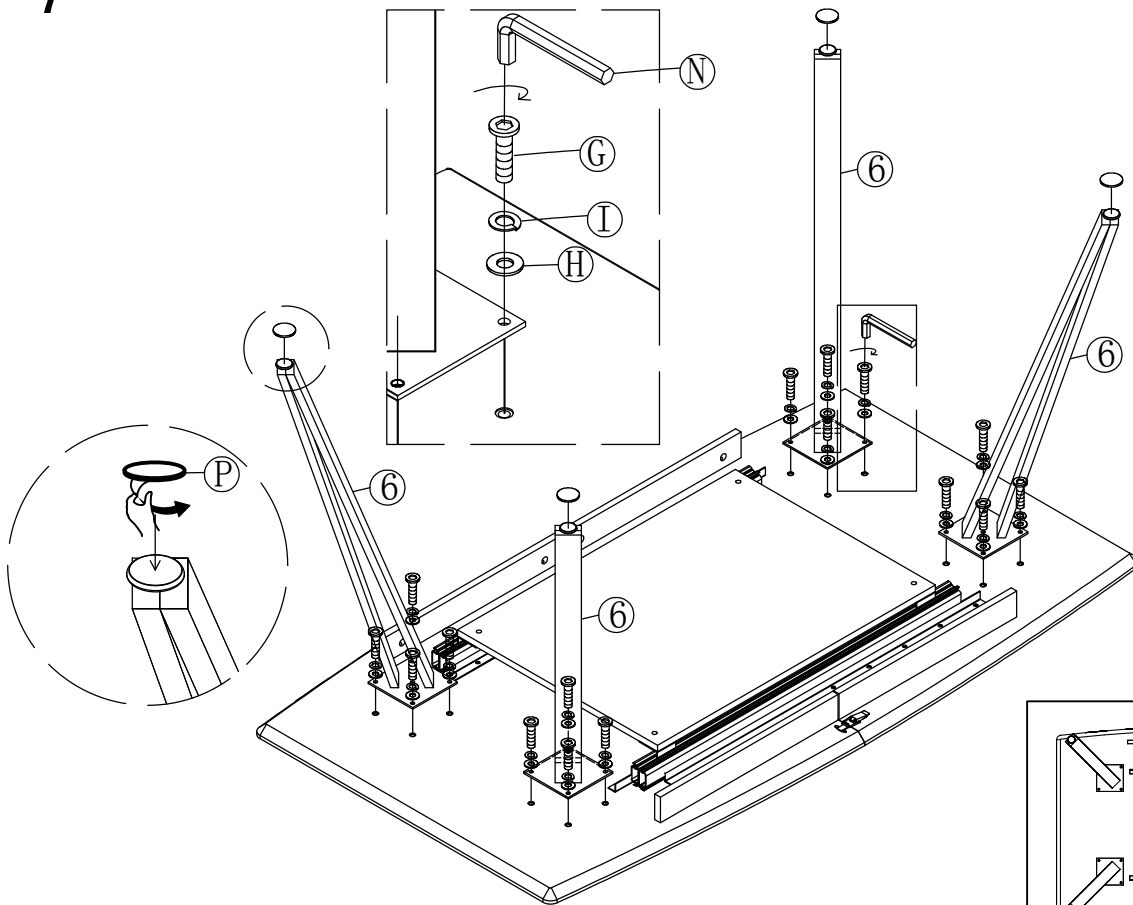
IV.

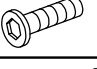




6

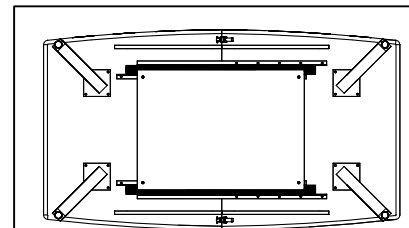


K		M6x35mm	4x
L		ø20xø10x10mm	4x
M		M6	4x
N		M4	1x
O		M10	1x

7

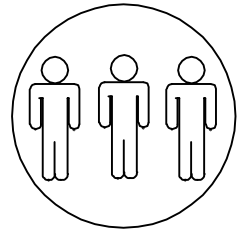
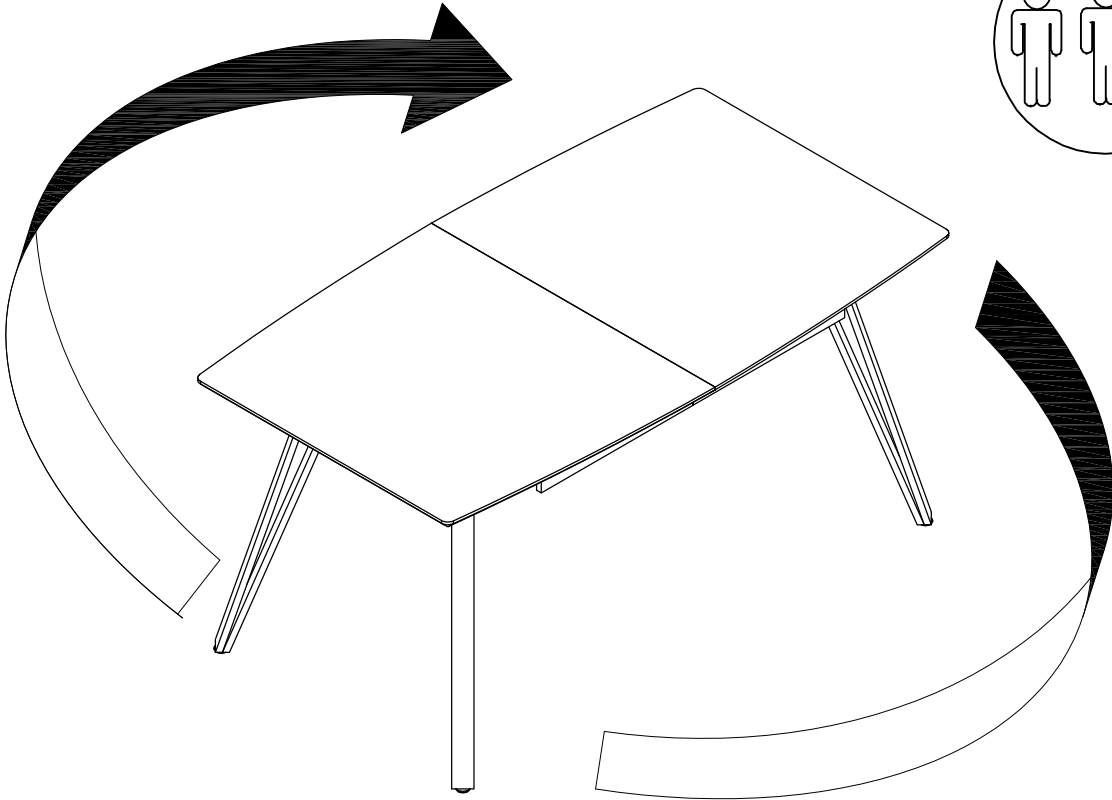


G		M6x20mm	16x
H		ø15xø6x1mm	16x
I		M6	16x
N		M4	1x
P			4x

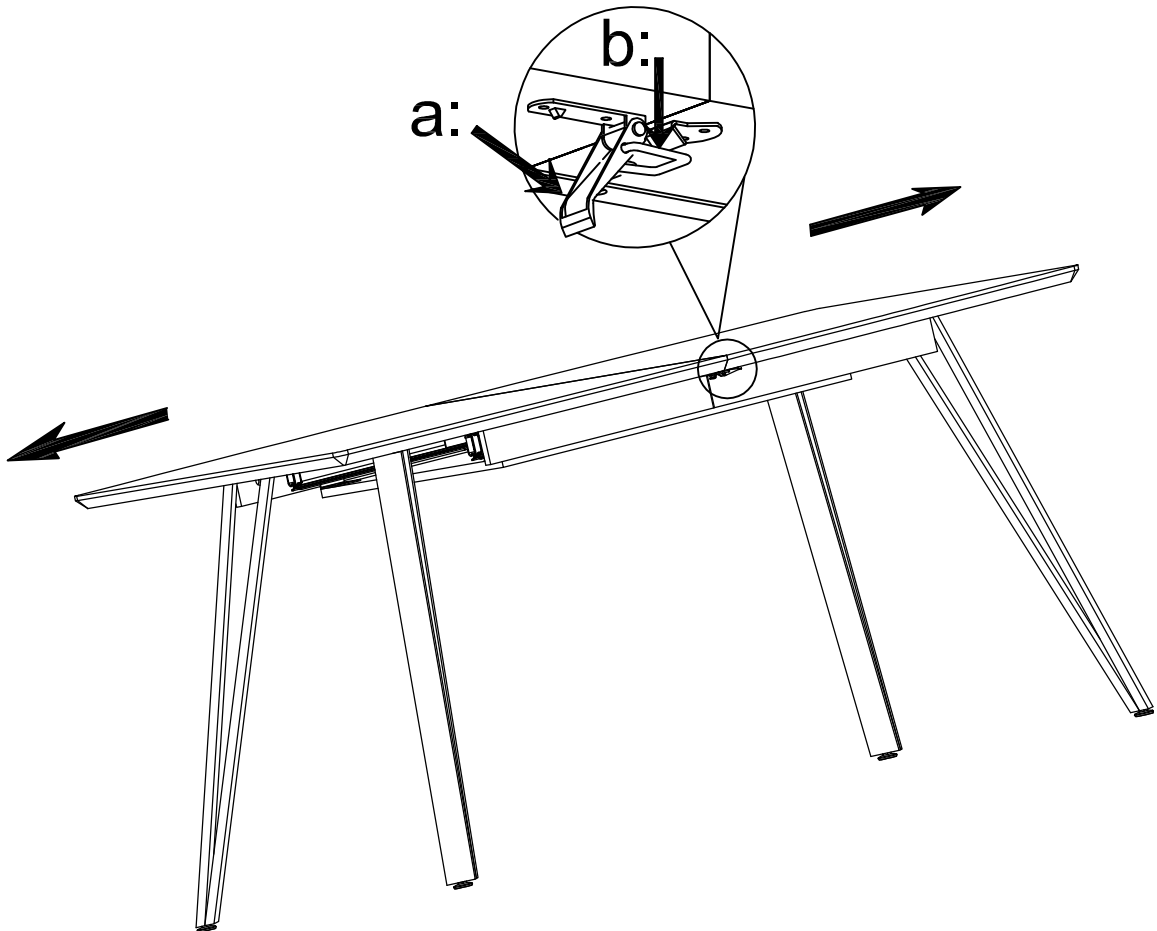


V.

8



9

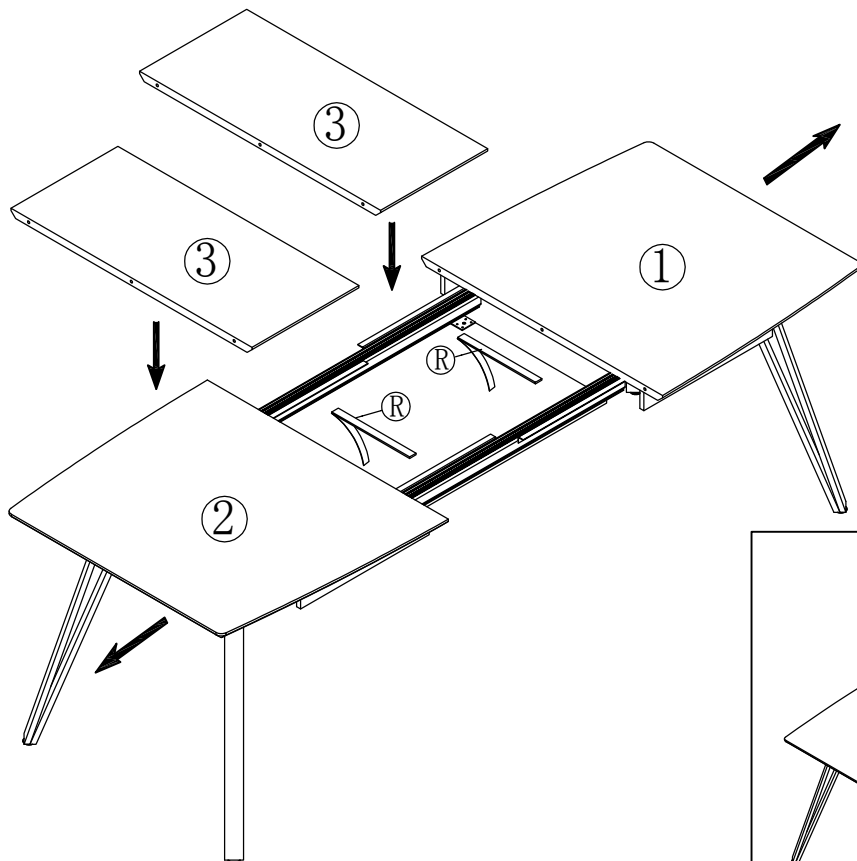


VI.

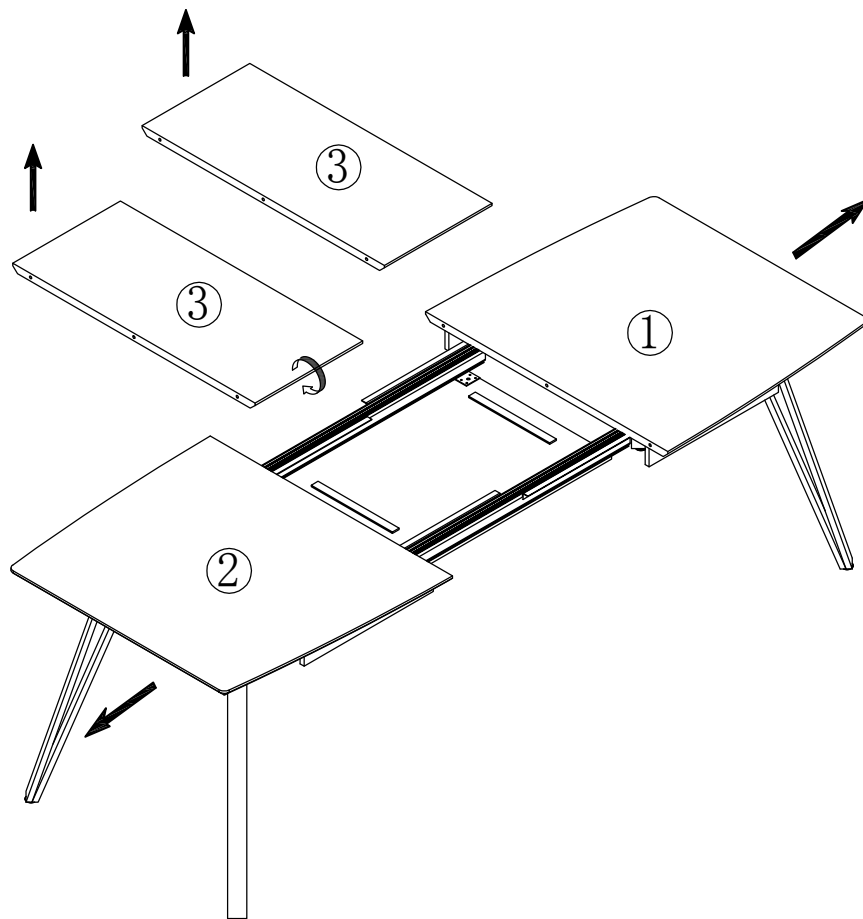
10

R

2x

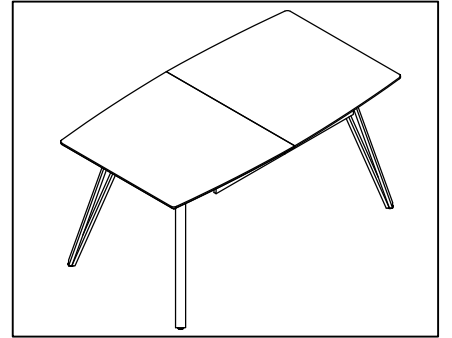
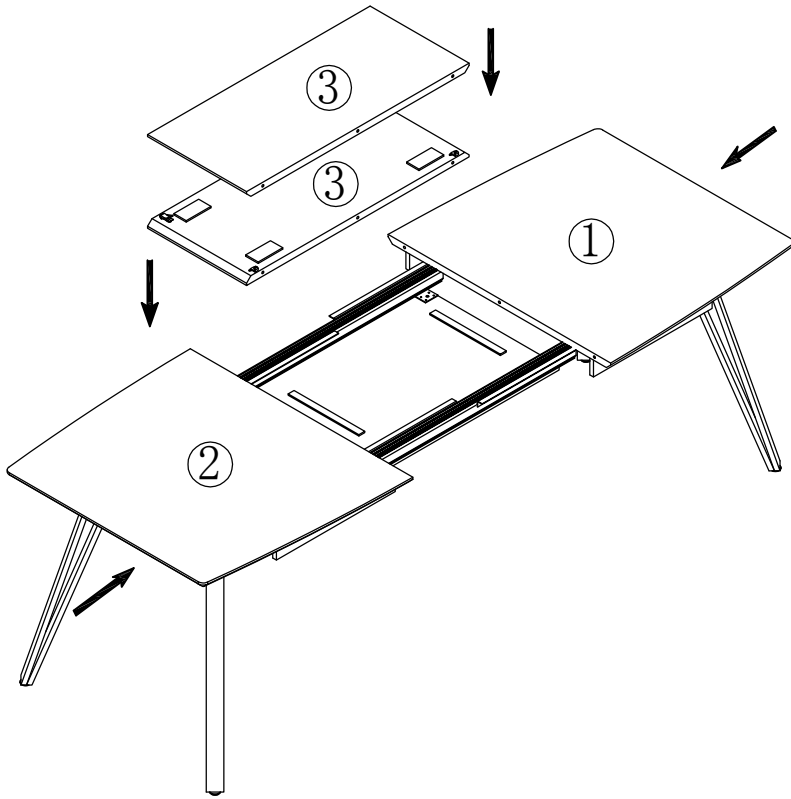


11



VII.

12



13

