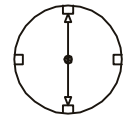
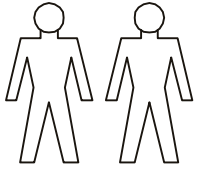
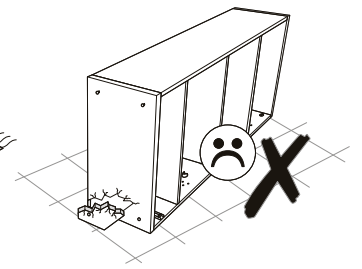
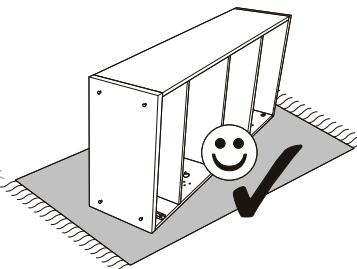
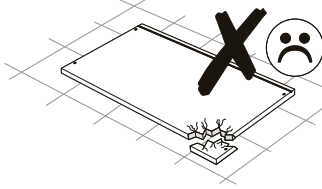
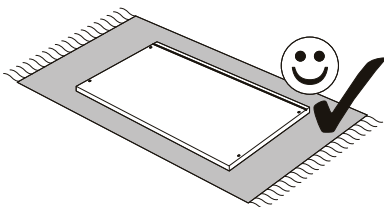
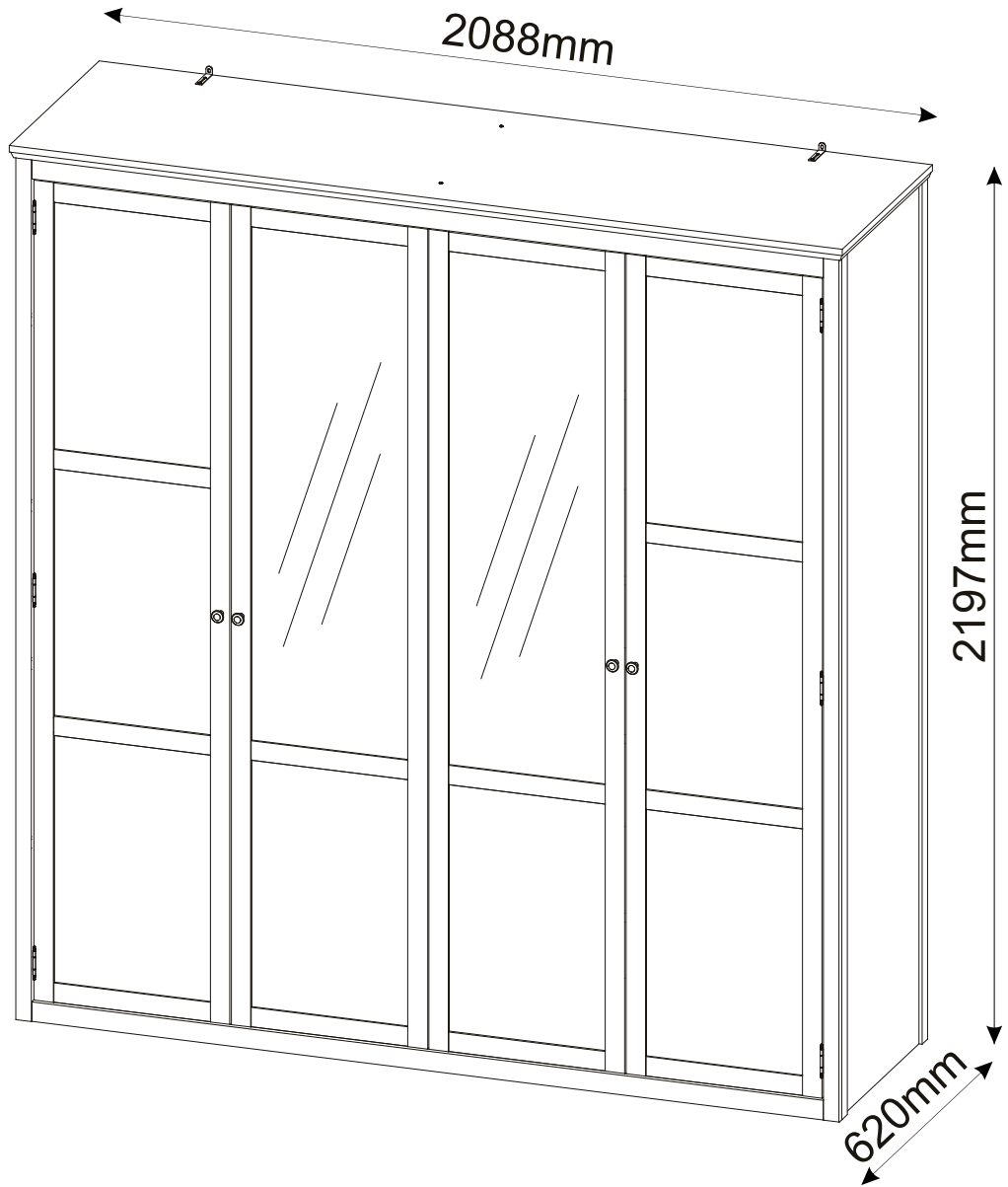
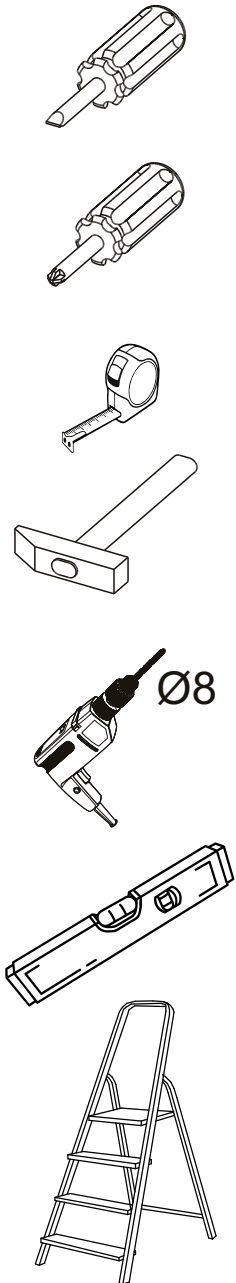

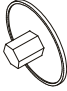
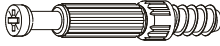
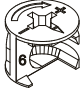




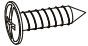

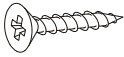




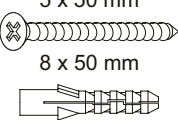


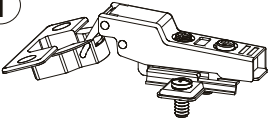
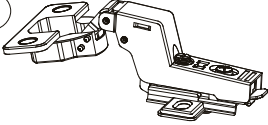
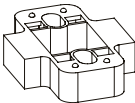


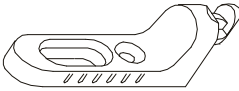

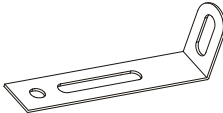
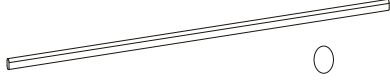
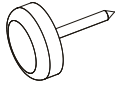


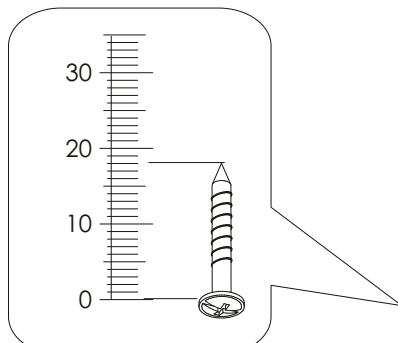
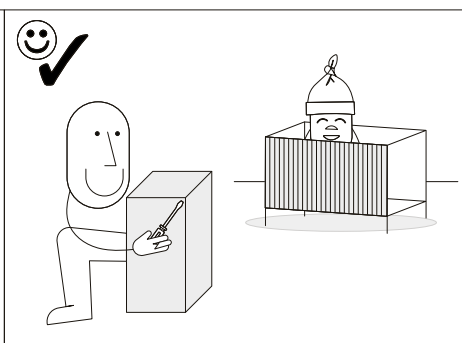
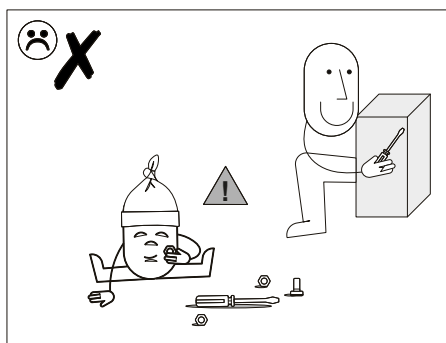
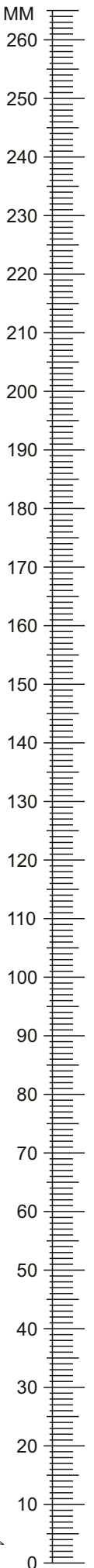
KORSIKA Kleiderschrank 4GT 00030139/06





90
MIN

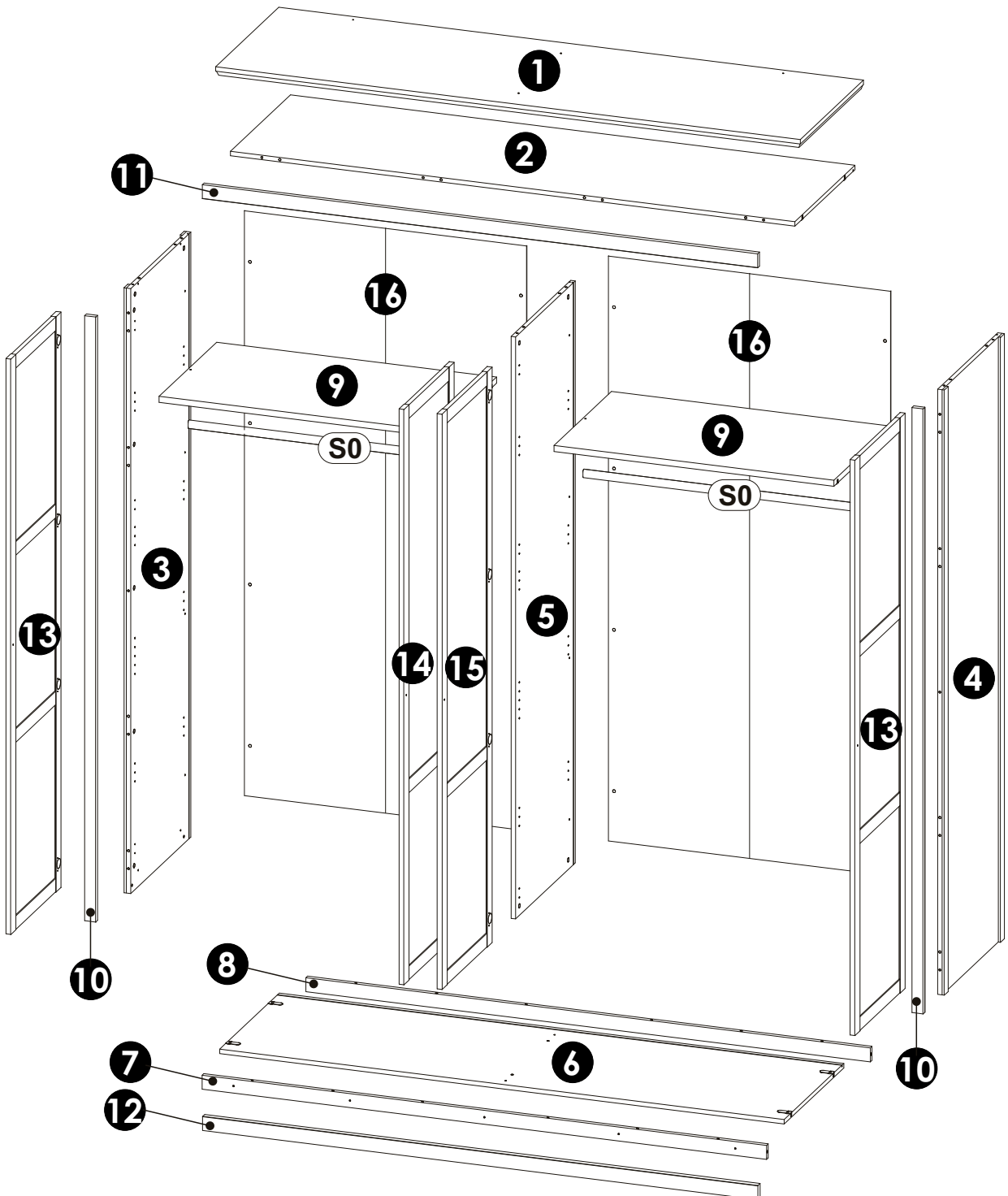


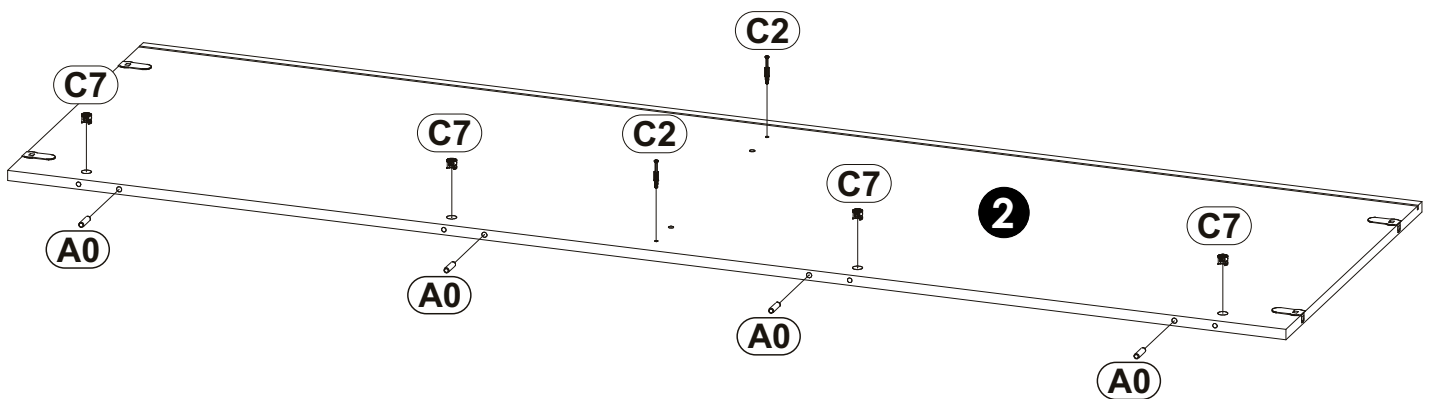
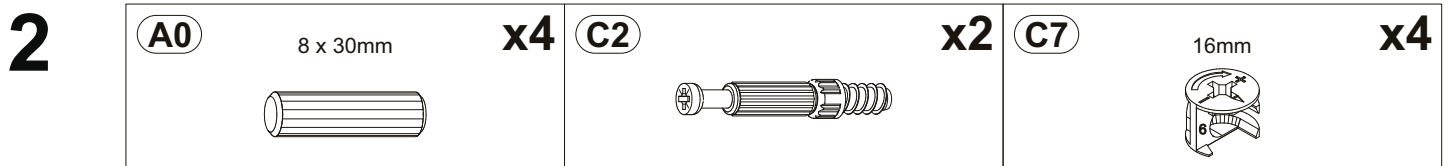
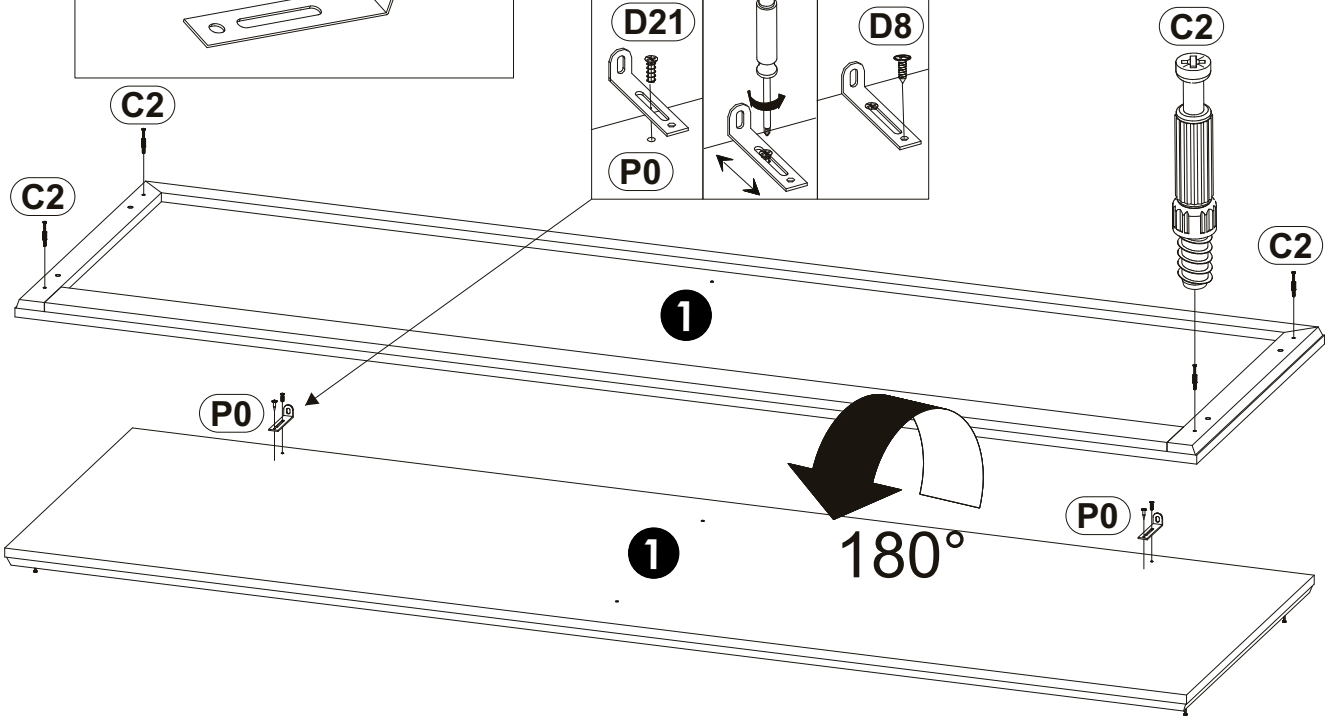
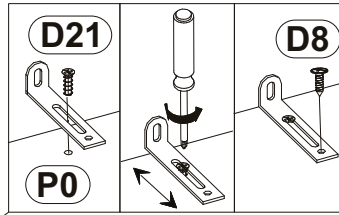
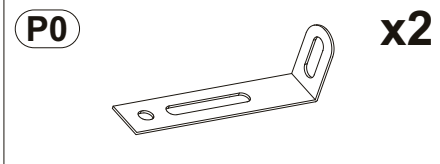
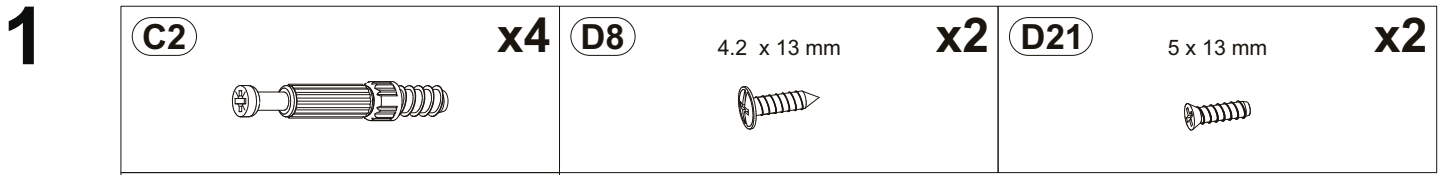
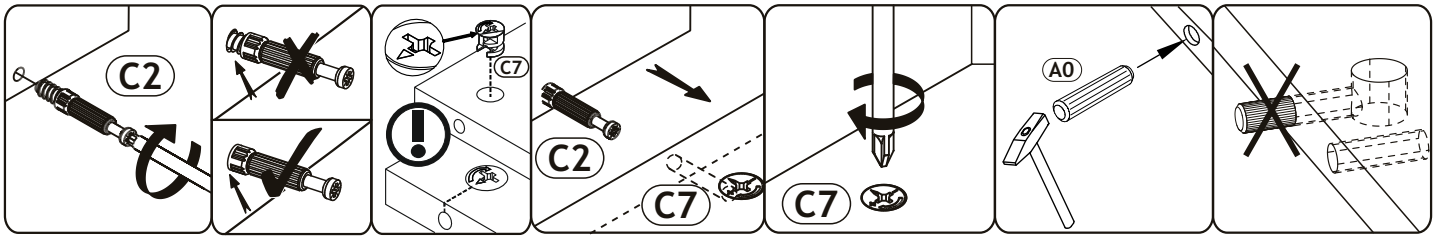
A0 8 x 30mm 	x28	C0 	x14	C2 	x30
C7 16mm 	x30	C10 6,3 x 20 mm 	x12	C13 6,3 x 16 mm 	x4
D0 3 x 15 mm 	x12	D5 3,5 x 16 mm 	x36	D8 4.2 x 13 mm 	x2
D13 4 x 30 mm 	x5	D15 4 x 45 mm 	x2	D21 5 x 13 mm 	x2
D29 5 x 30 mm 	x16	D30 EURO 6,3 x 13 mm 	x8	D40 6.3 x 10,5 mm 	x8
E0 5 x 50 mm 8 x 50 mm 	x2	H2 4 x 22 mm 	x4	H9 4 x 30 mm 	x4
J11 	x8	J18 	x8	J63 H16 	x8
J64 	x6	L35 	x4	M0 	x16
O1 	x4	P0 	x2	S0 L-993 	x2
T3 	x10				





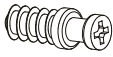

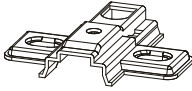
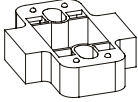
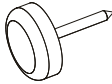

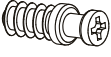

1	2088	620	32	x1	3/8
2	2016	589	16	x1	5/8
3	2160	590	24	x1	1/8
4	2160	590	24	x1	1/8
5	2078	585	16	x1	2/8
6	2016	585	16	x1	4/8
7	2016	50	16	x1	4/8
8	2016	50	16	x1	4/8
9	564	1000	22	x2	5/8

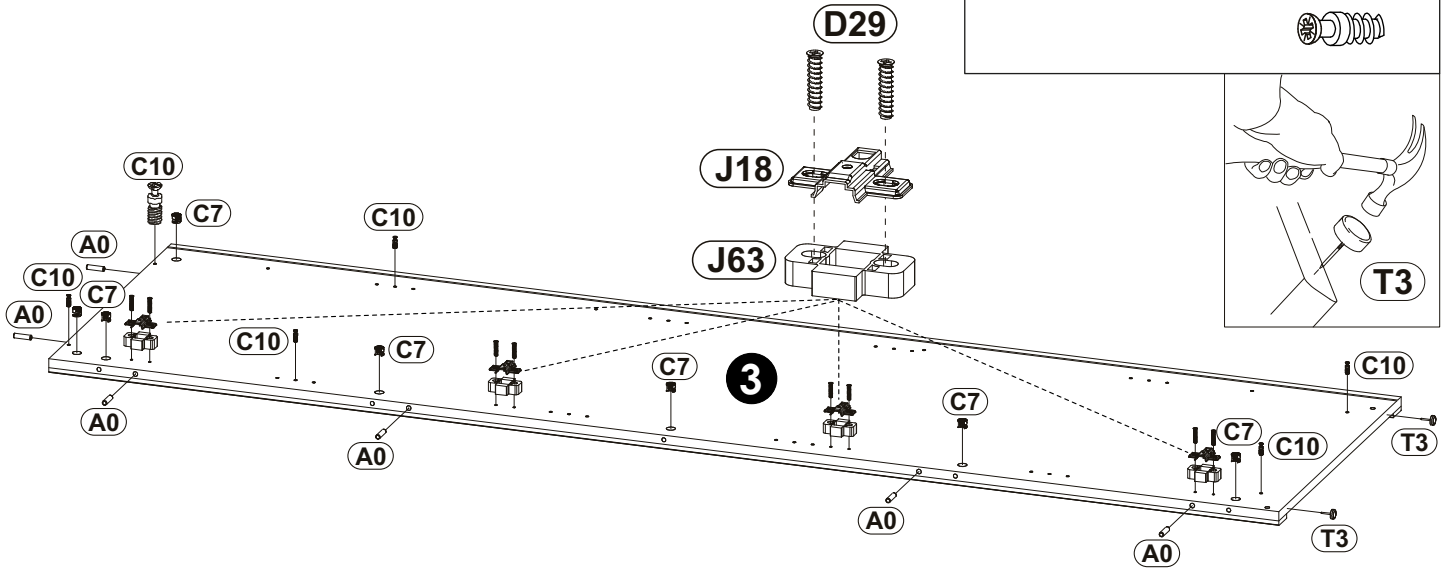
10	2160	40	18	x2	2/8
11	1983	50	18	x1	4/8
12	1983	50	22	x1	4/8
13	2054	492	18	x2	6/8
14	2054	492	18	x1	7/8
15	2054	492	18	x1	7/8
16	2088	1008	3	x2	2/8
S0	993			x2	4/8
					8/8





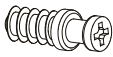

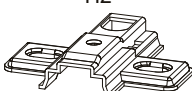
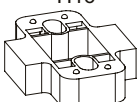
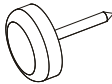





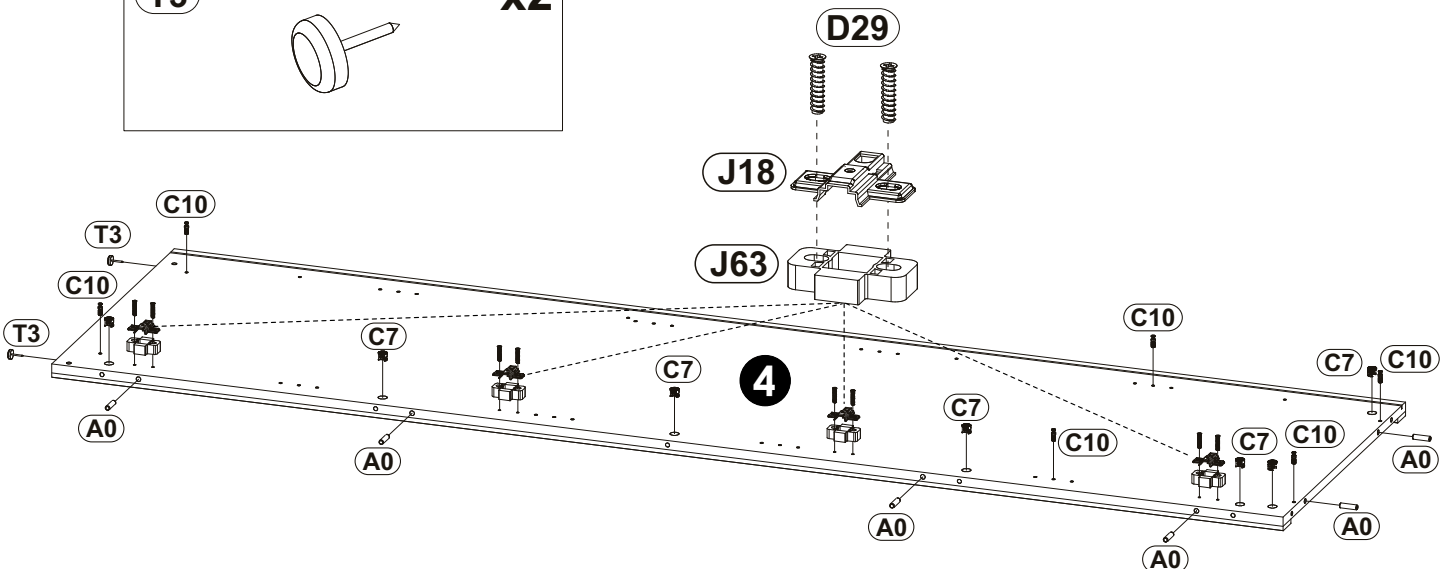
3

A0 8 x 30mm 	x6	C7 16mm 	x7	C10 6,3 x 20 mm 	x6
D29 5 x 30 mm 	x8	J18 H2 	x4	J63 H16 	x4
T3 	x2	 C10 6,3 x 20 mm  C13 6,3 x 16 mm 			




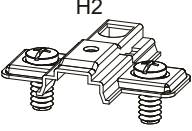


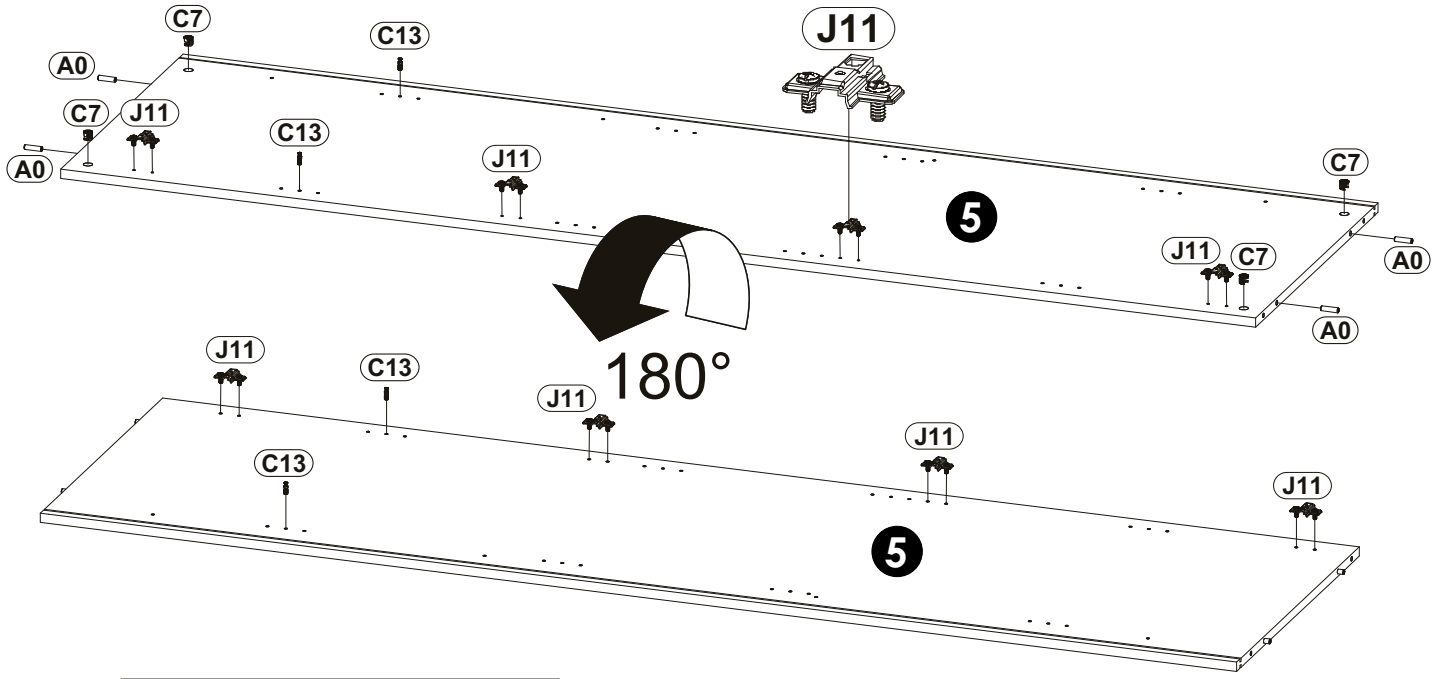
4

A0 8 x 30mm 	x6	C7 16mm 	x7	C10 6,3 x 20 mm 	x6
D29 5 x 30 mm 	x8	J18 H2 	x4	J63 H16 	x4
T3 	x2	 C10 6,3 x 20 mm  C13 6,3 x 16 mm 			

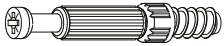


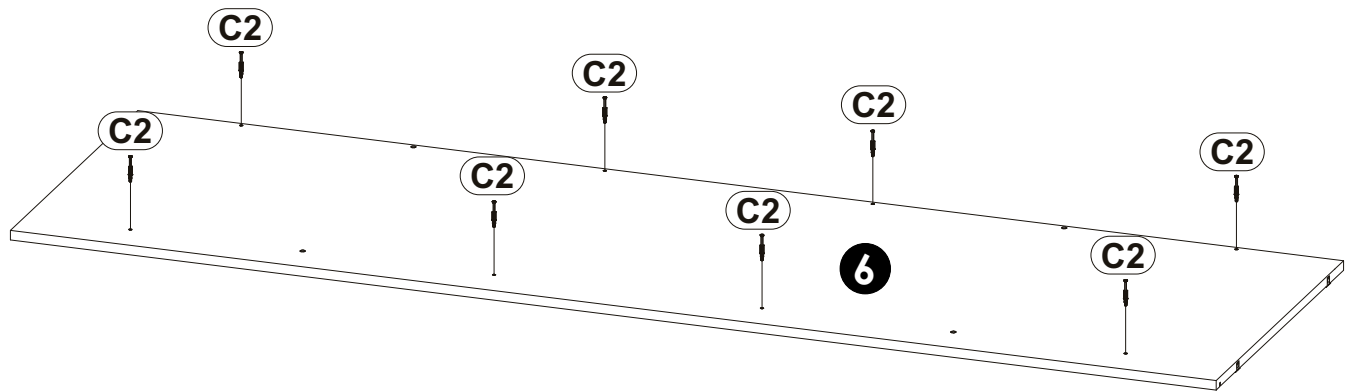
5

A0 8 x 30mm 	x4	C7 16mm 	x4	C13 6,3 x 16 mm 	x4
J11 H2 	x8				



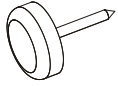


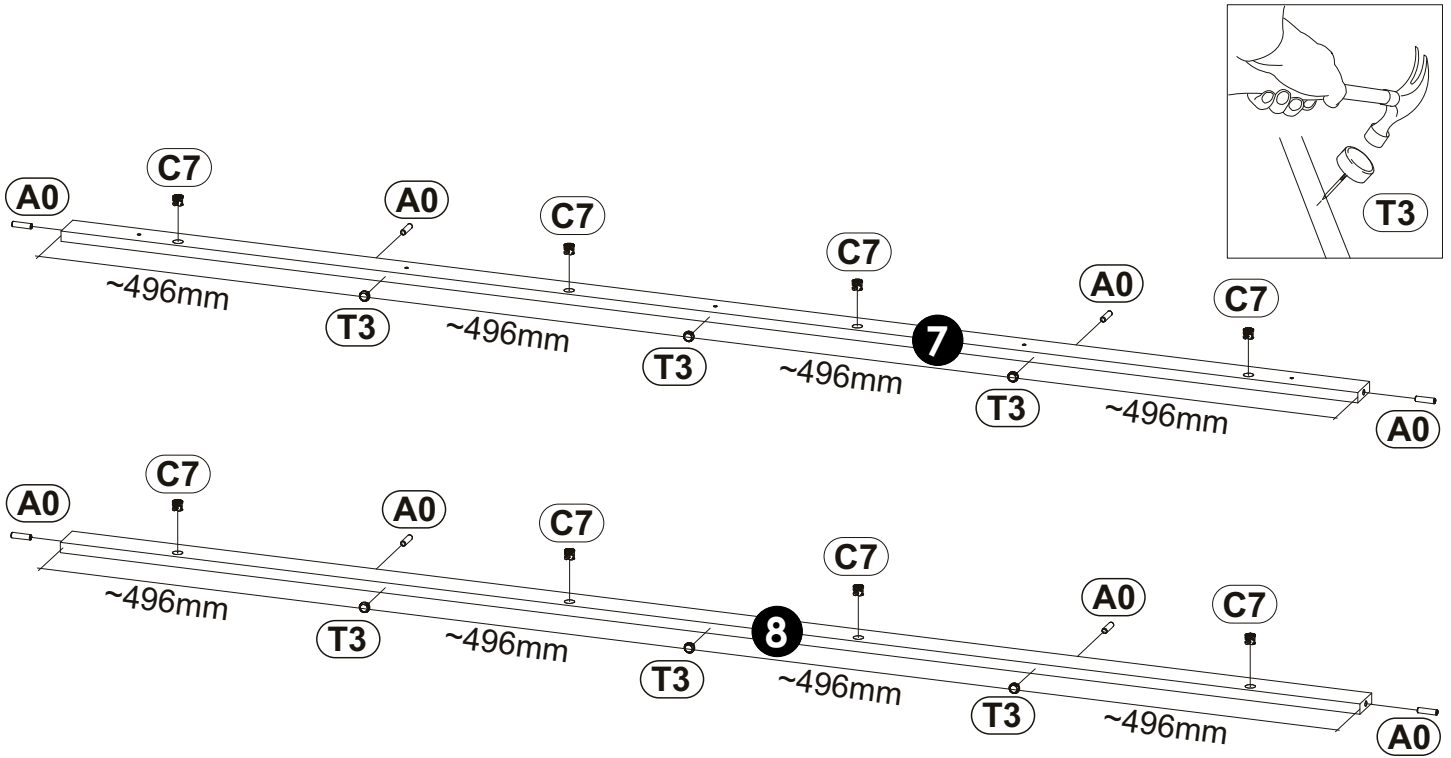
6

C2 	x8
--	-----------


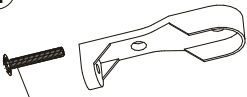


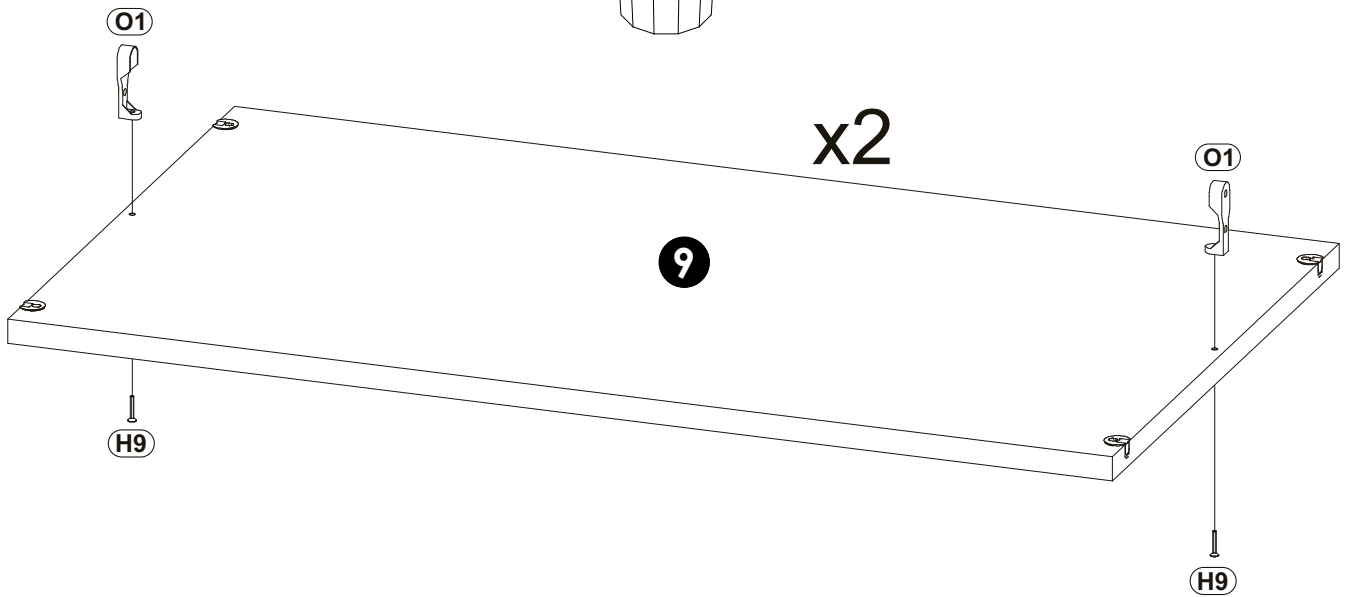
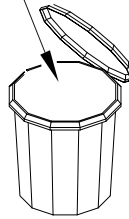
7

A0	8 x 30mm	x8	C7	16mm	x8	T3	x6
							

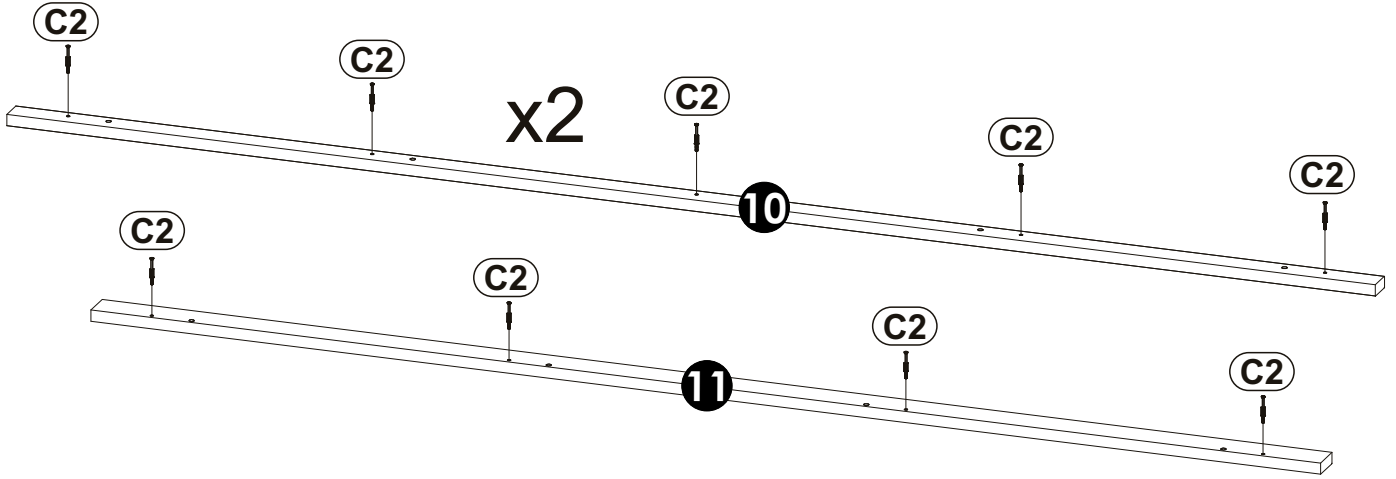
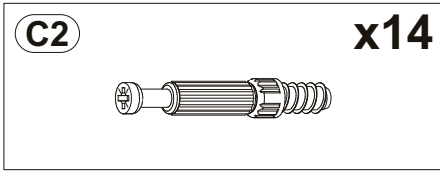


8




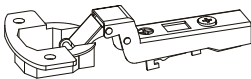

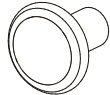
H9	4 x 30 mm	x4	O1	x4
				

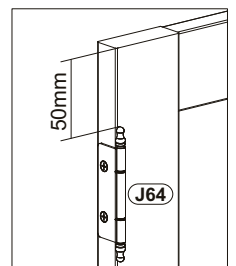
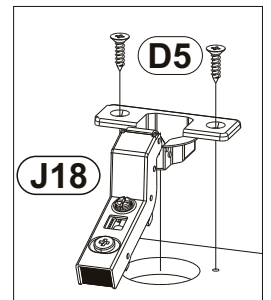
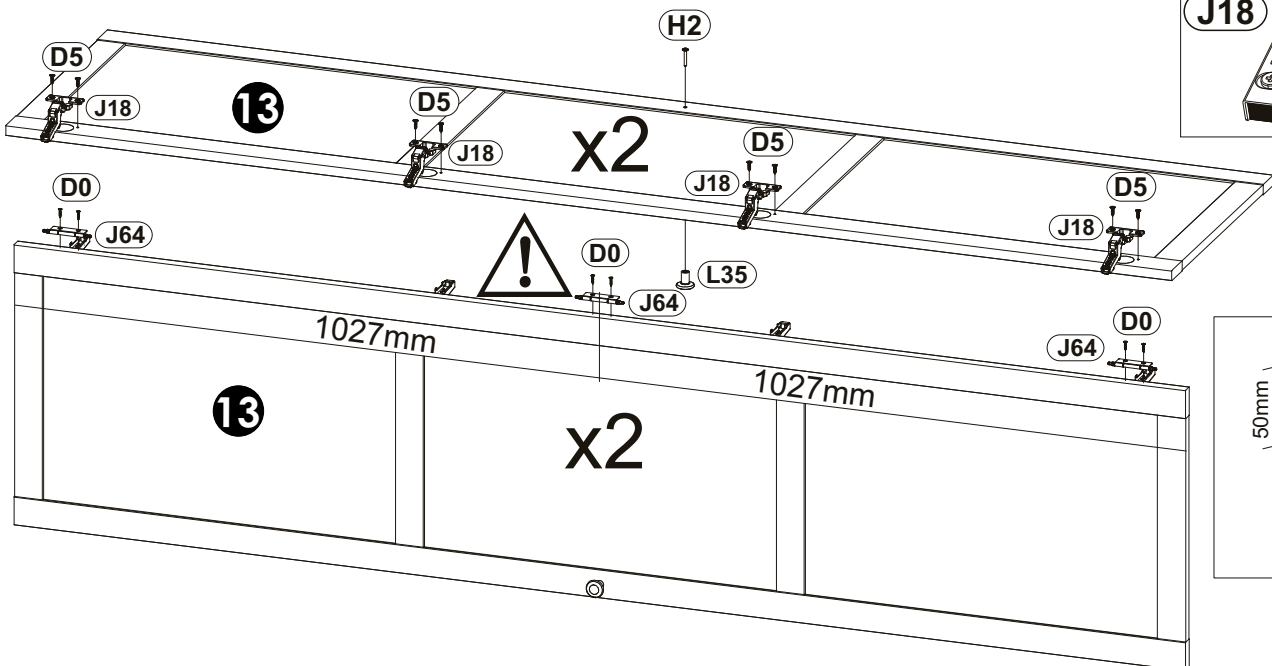


9



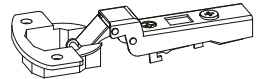



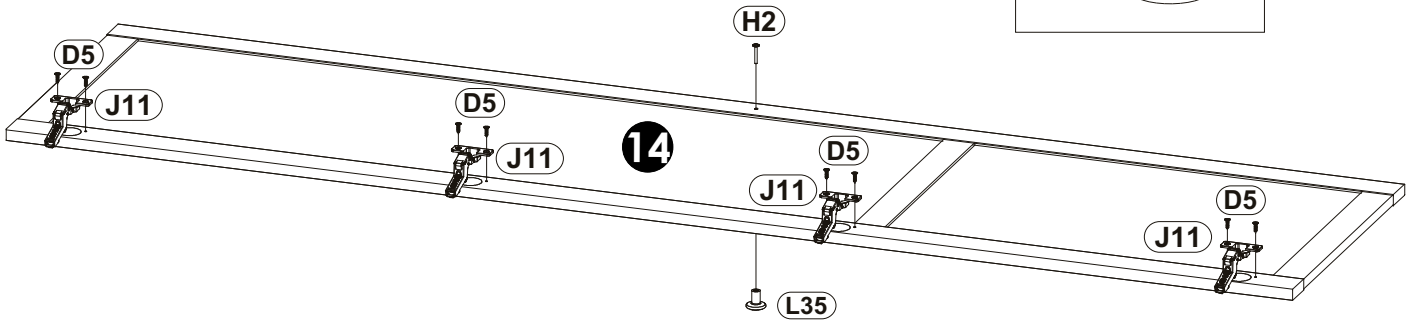
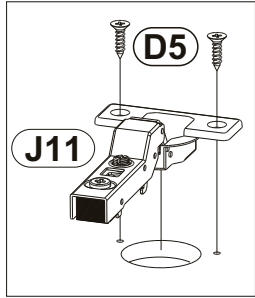
10

D0	3 x 15 mm	x12	D5	3,5 x 16 mm	x16	H2	4 x 22 mm	x2
								
J18		x8	J64		x6	L35		x2
								



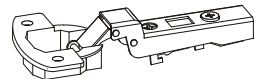



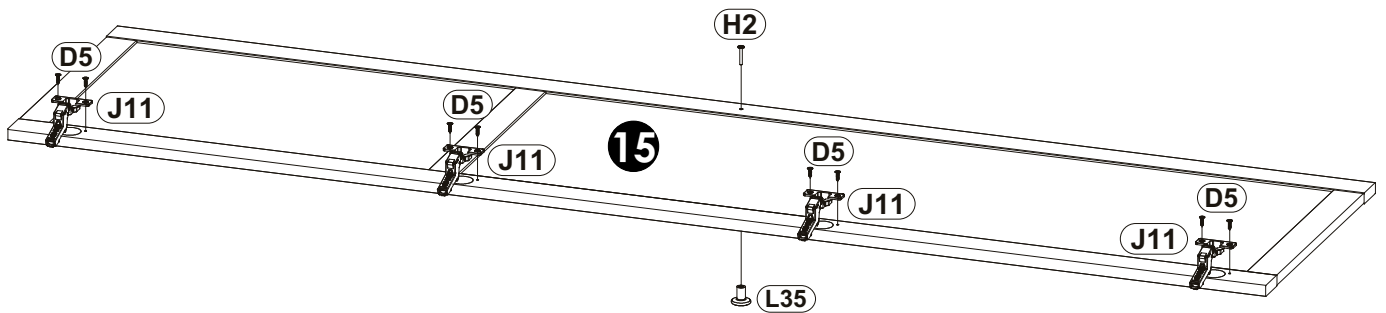
11

D5 3,5 x 16 mm 	x8	H2 4 x 22 mm 	x1	J11 	x4
L35 	x1				

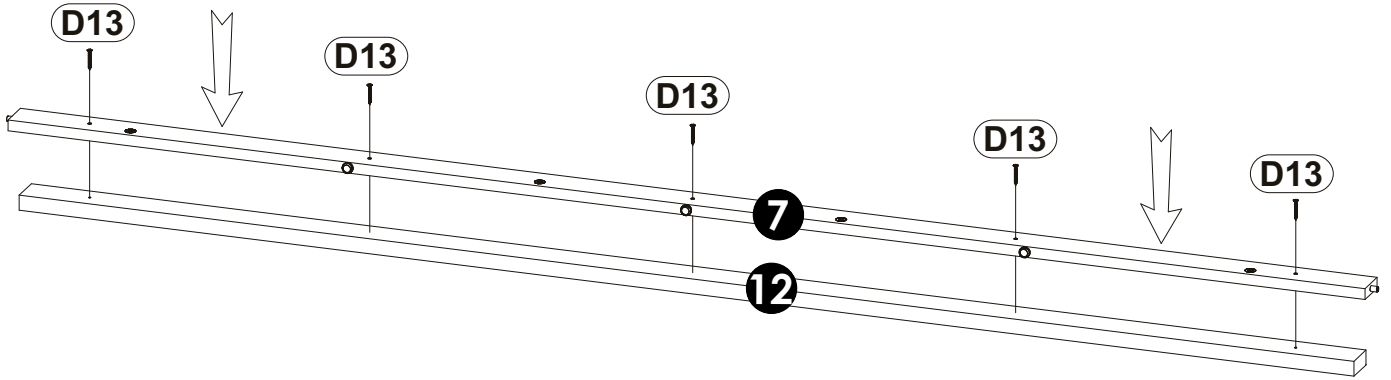
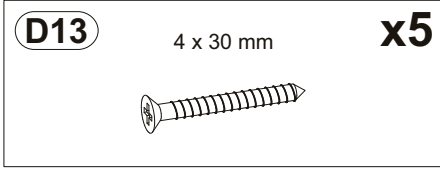


12

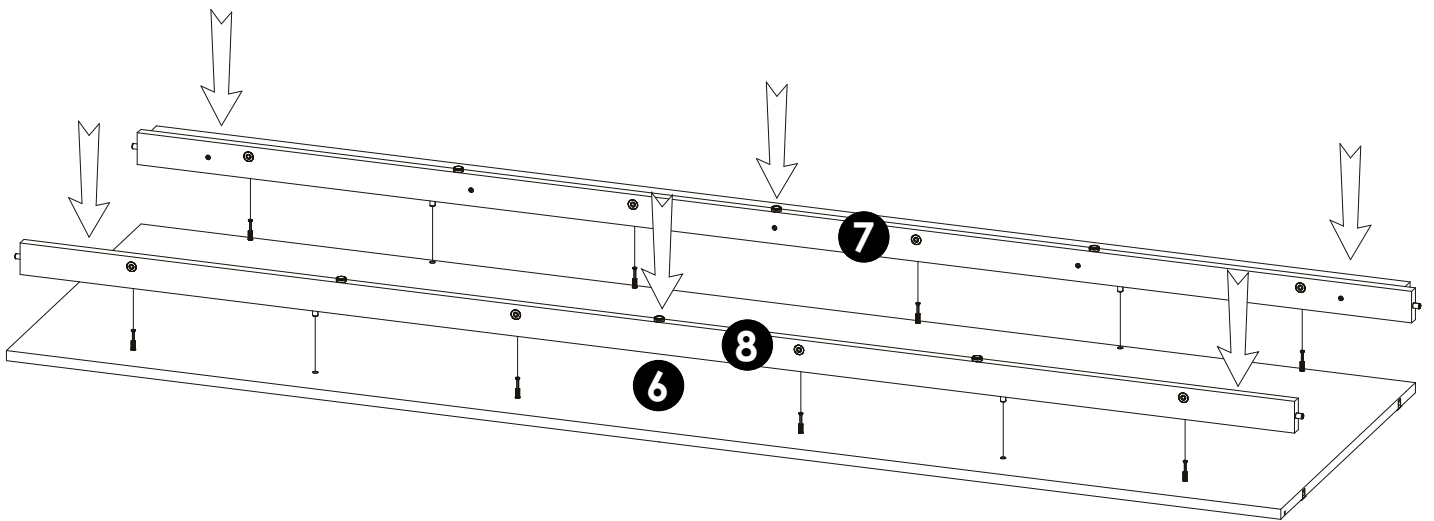
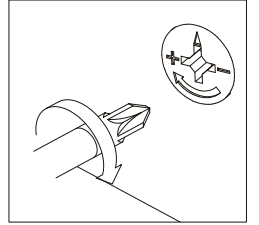
D5 3,5 x 16 mm 	x8	H2 4 x 22 mm 	x1	J11 	x4
L35 	x1				



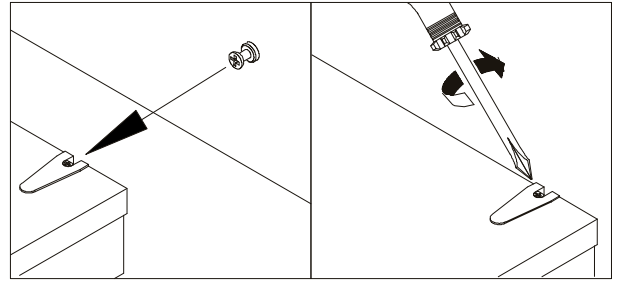
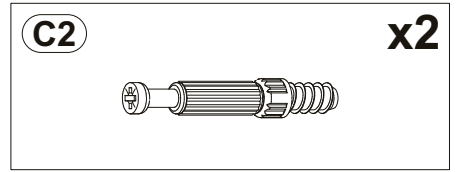
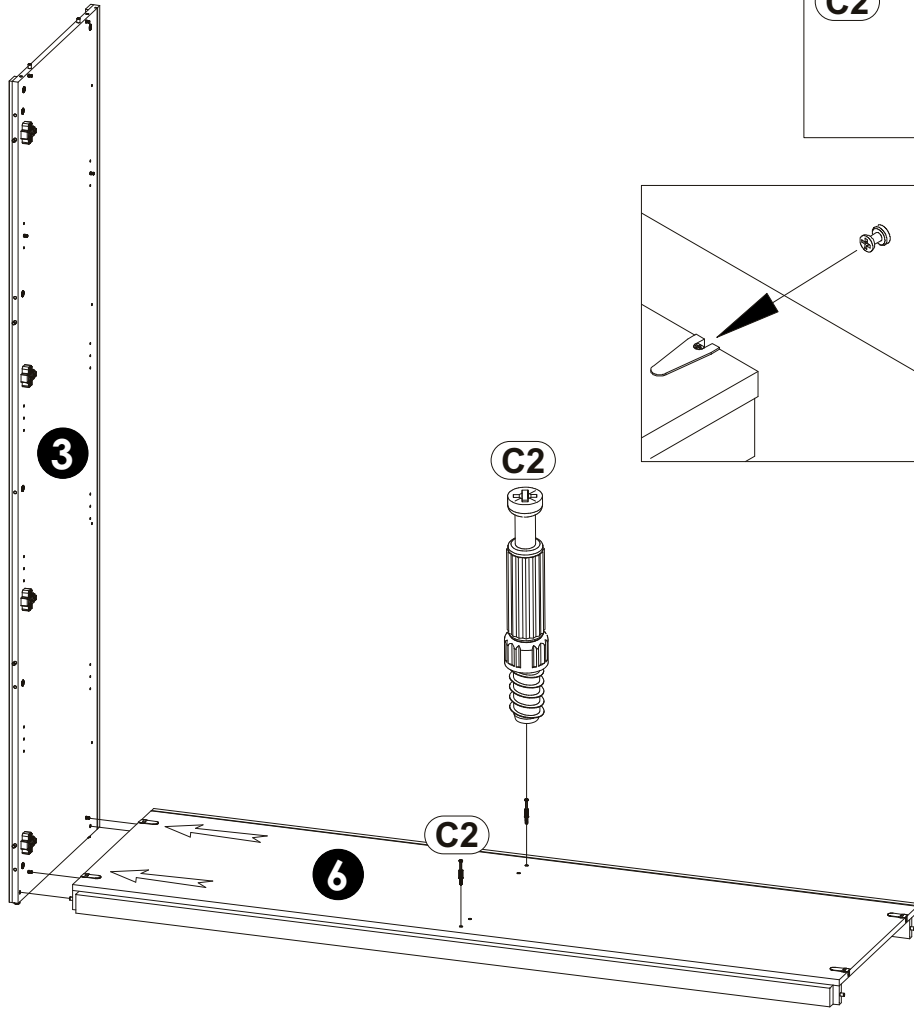
13



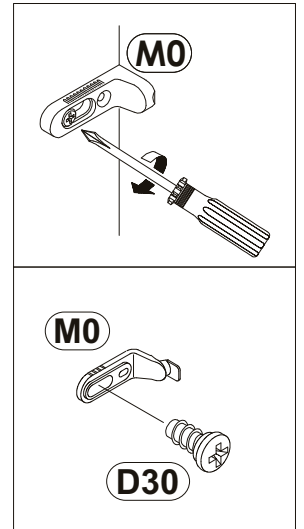
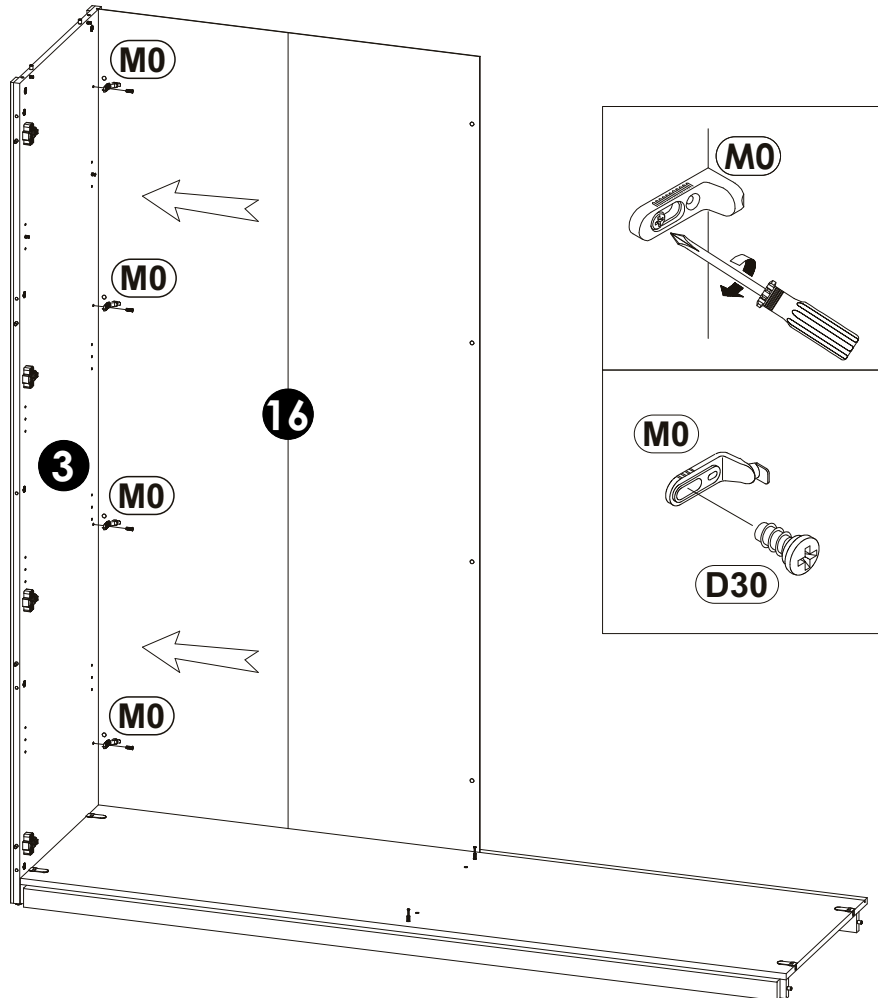
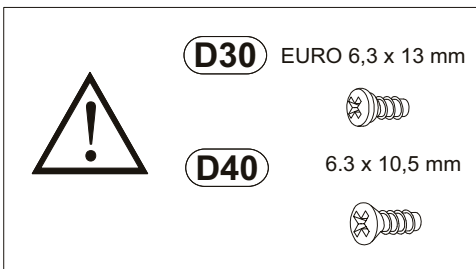
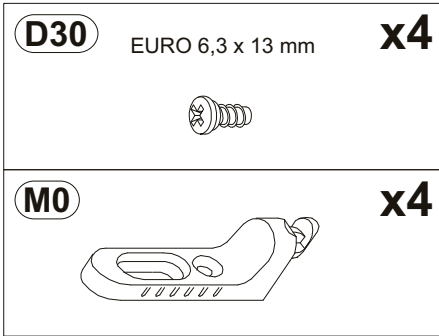
14



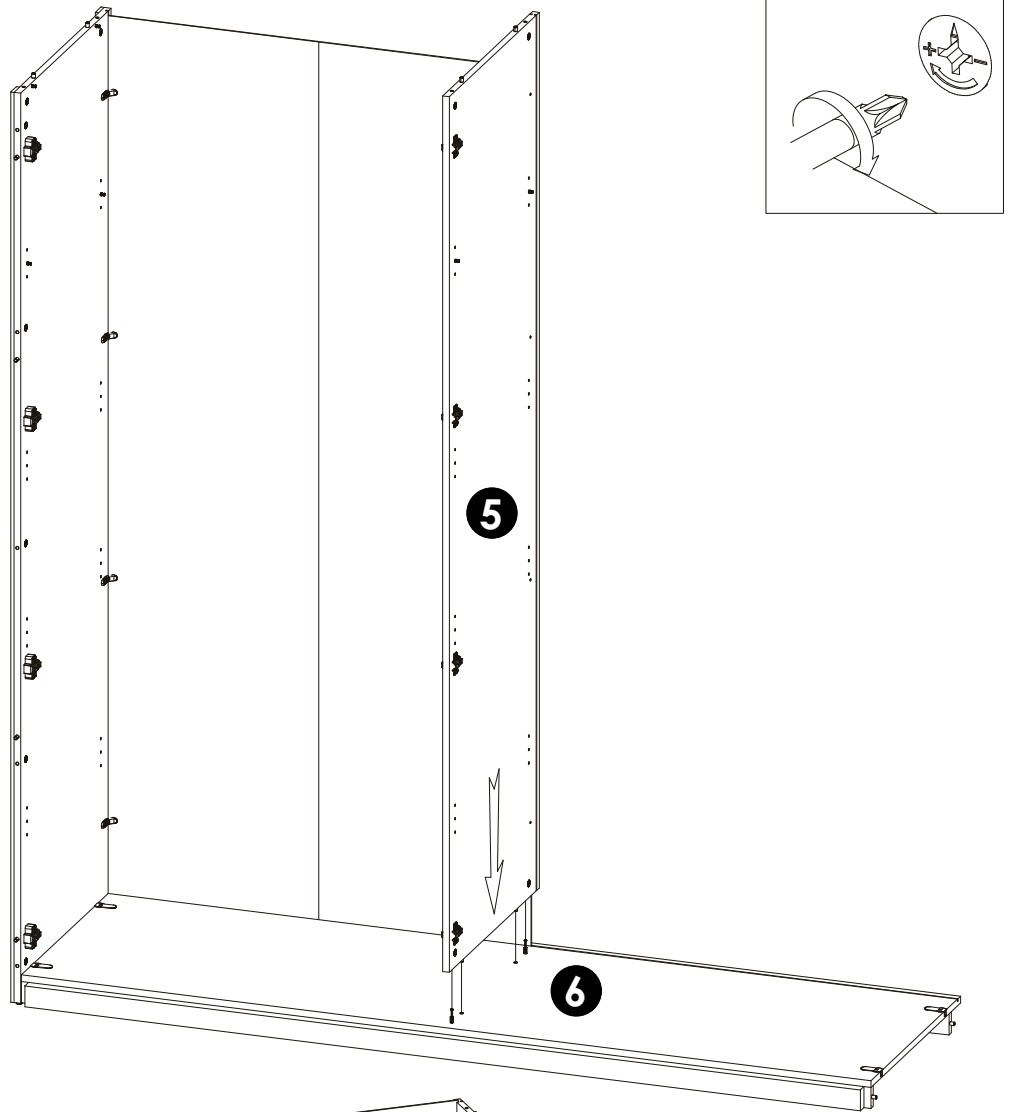
15



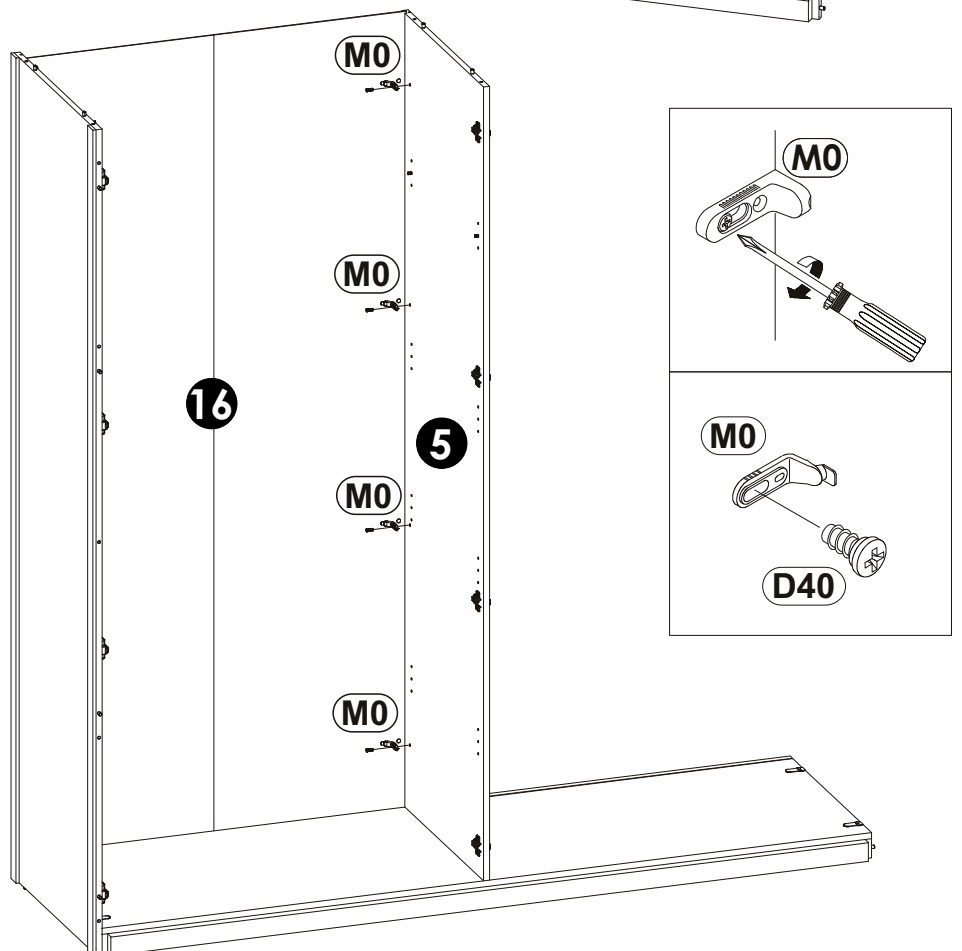
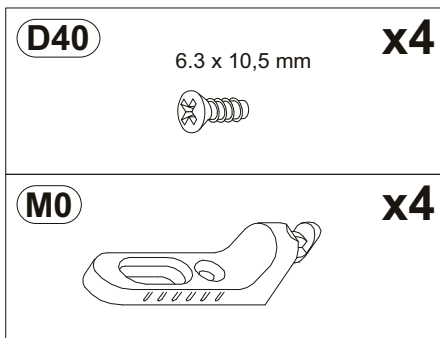
16




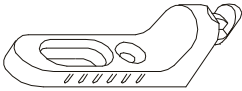
17

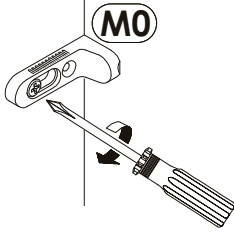
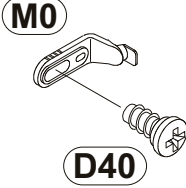


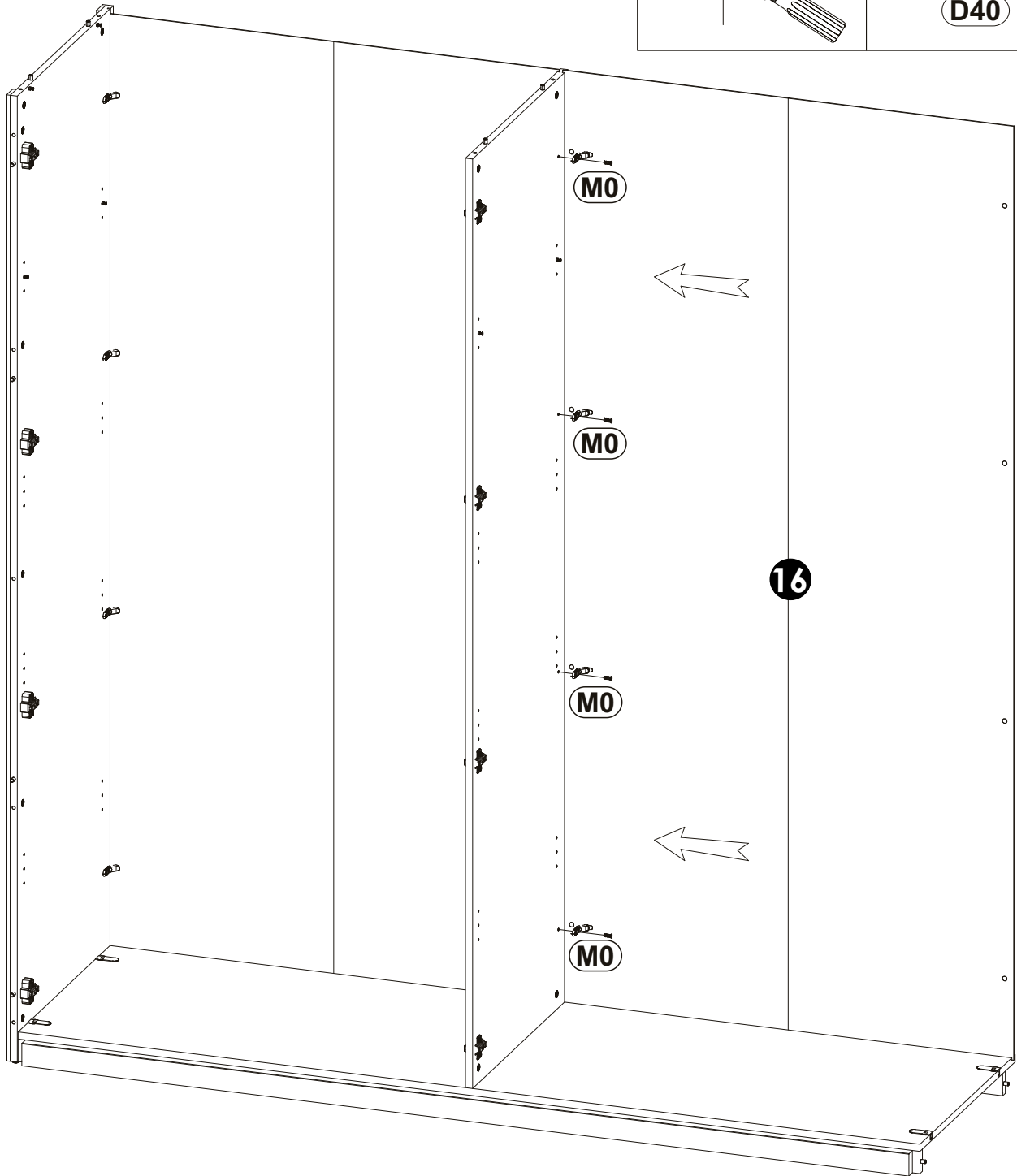
18

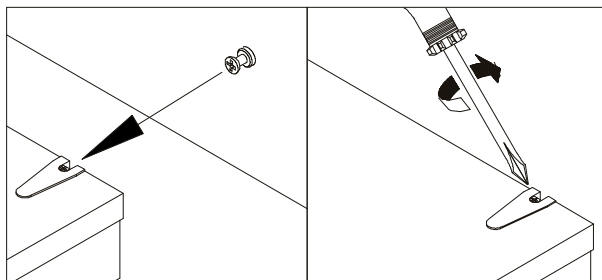
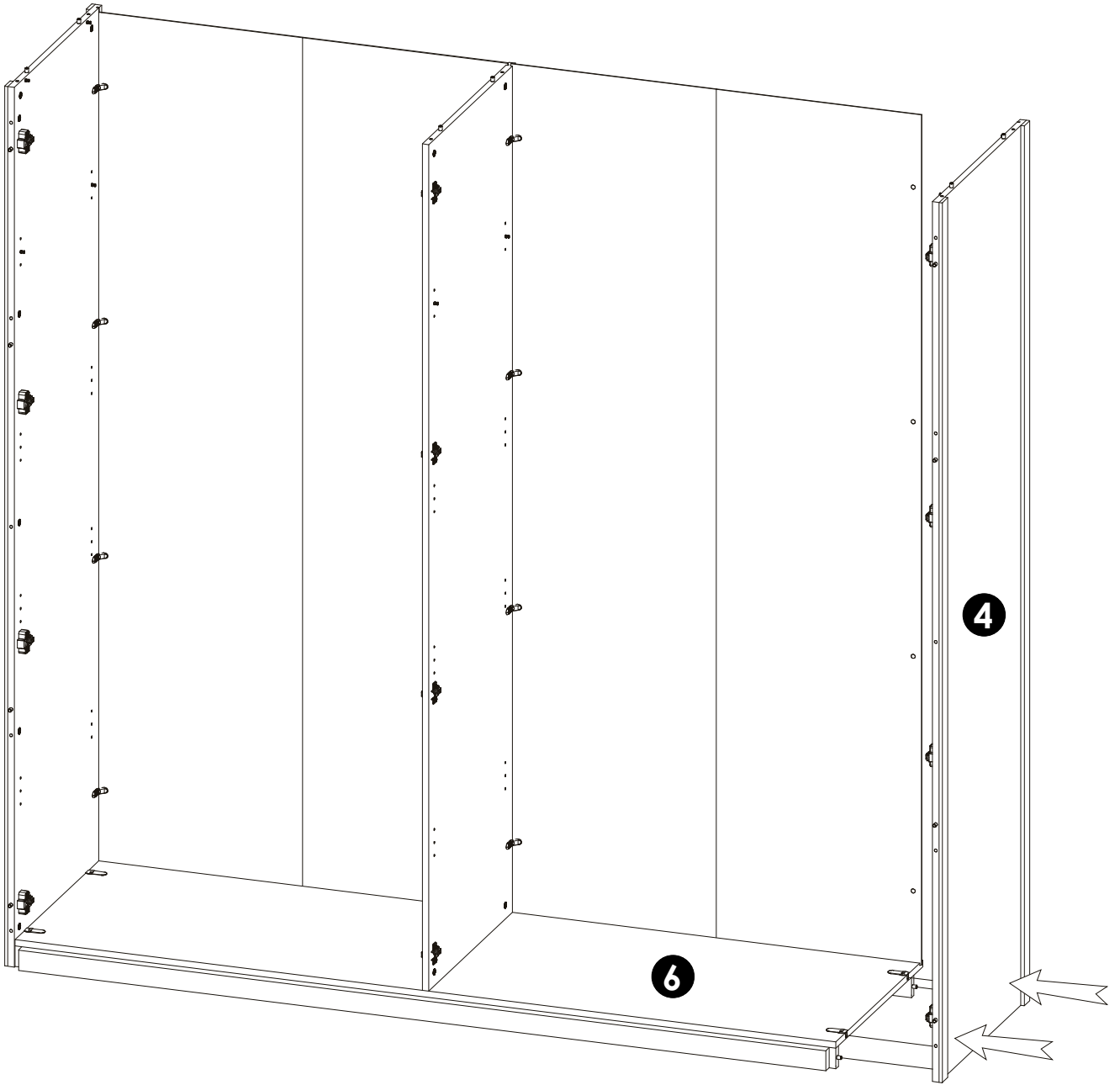


19


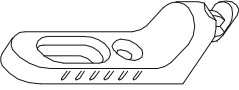
D40	6.3 x 10,5 mm	x4	M0	x4
				

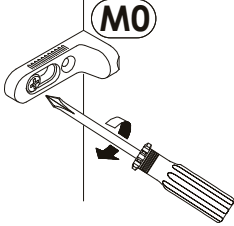
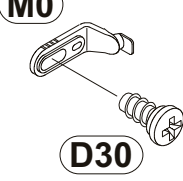
 M0	 M0 D40
---	--

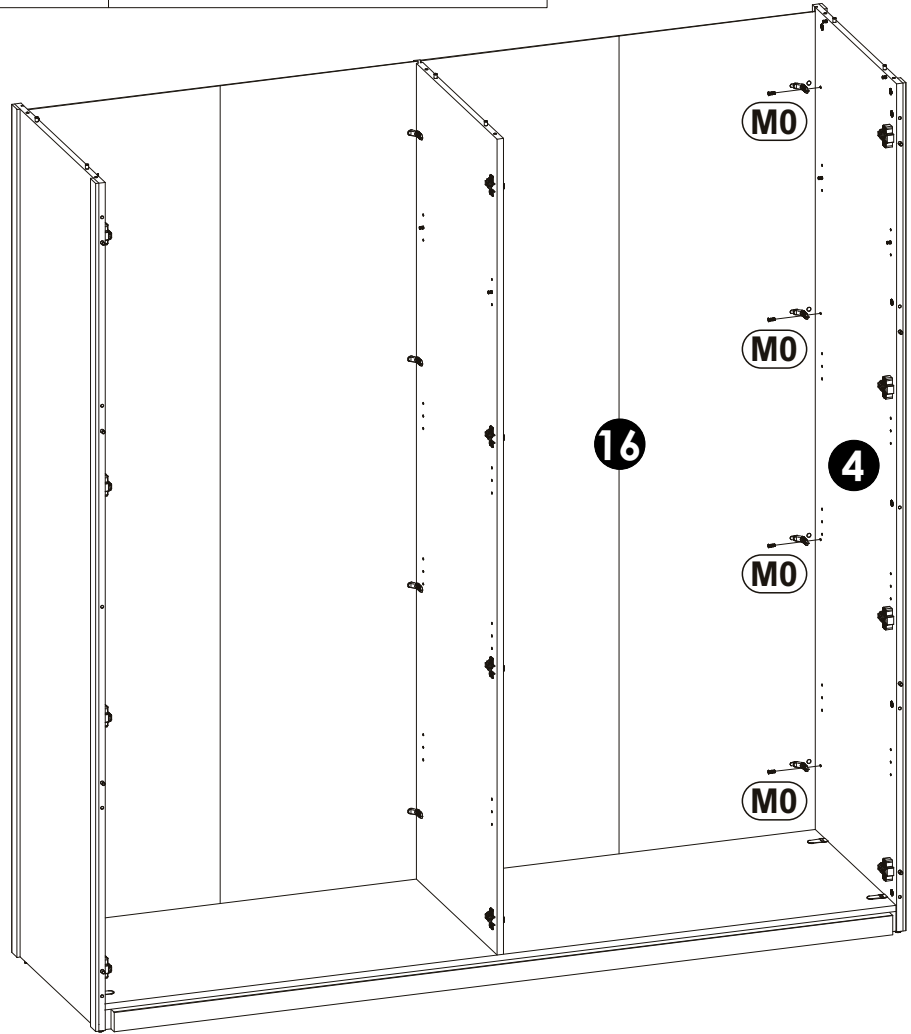




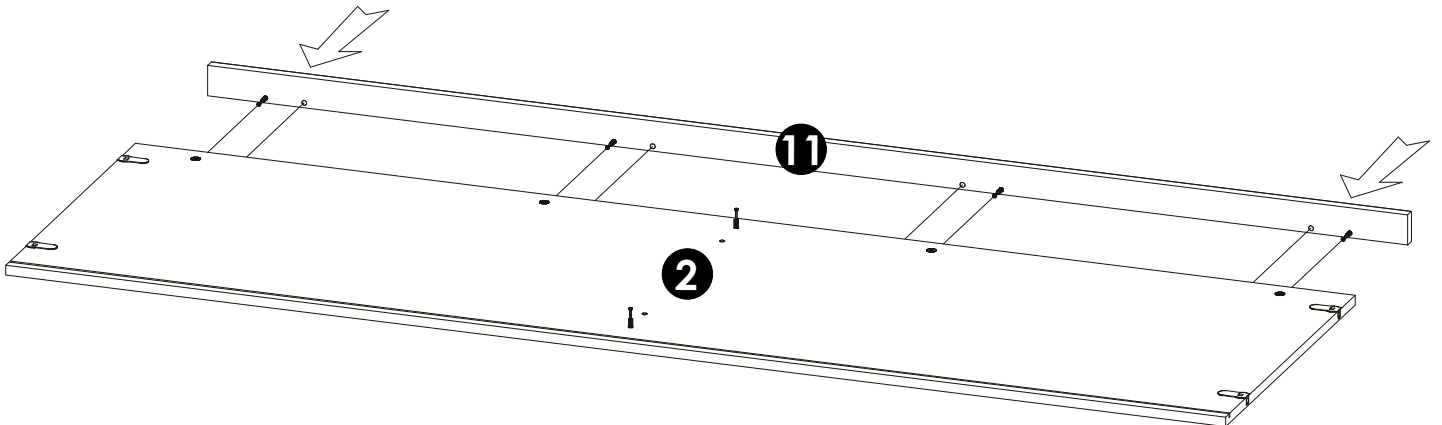
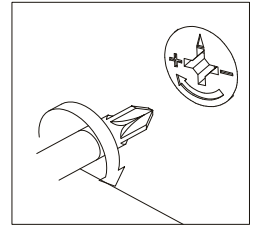
21

D30 EURO 6,3 x 13 mm 	x4	M0 	x4
---	-----------	--	-----------

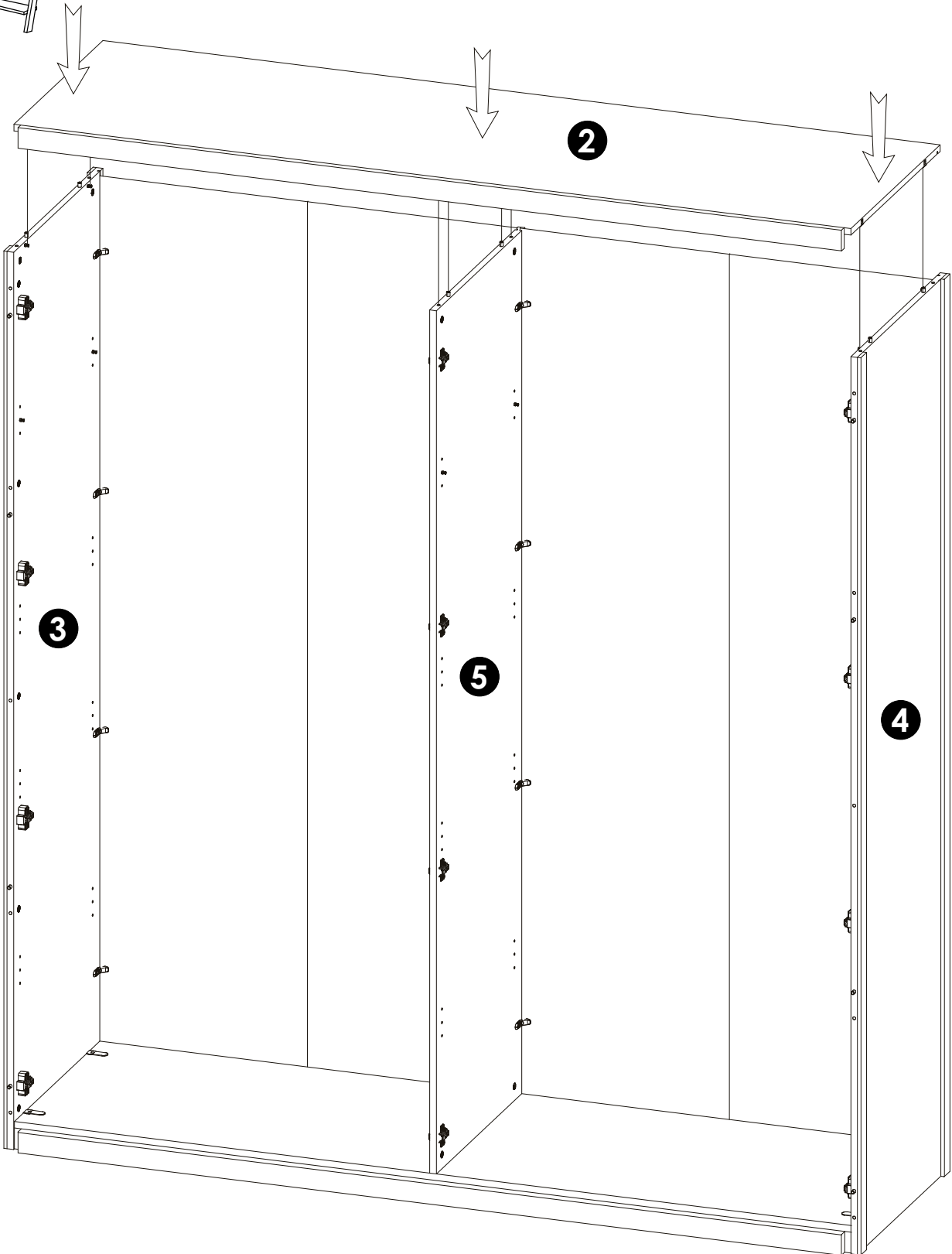
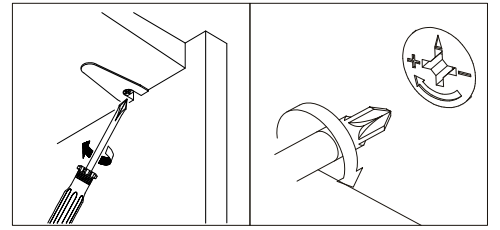
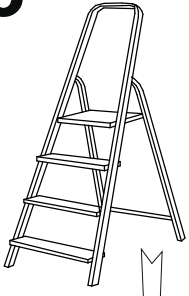
 M0
 M0 D30





22

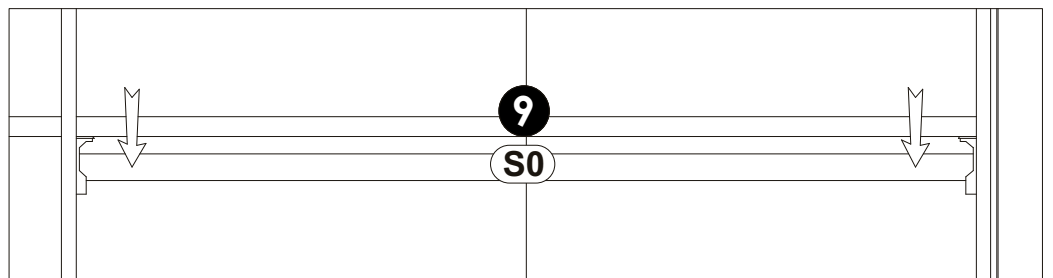
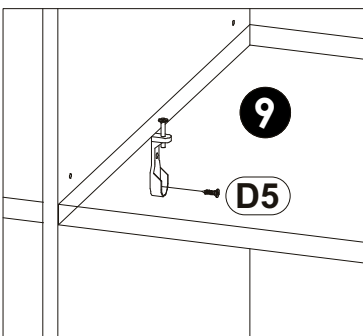
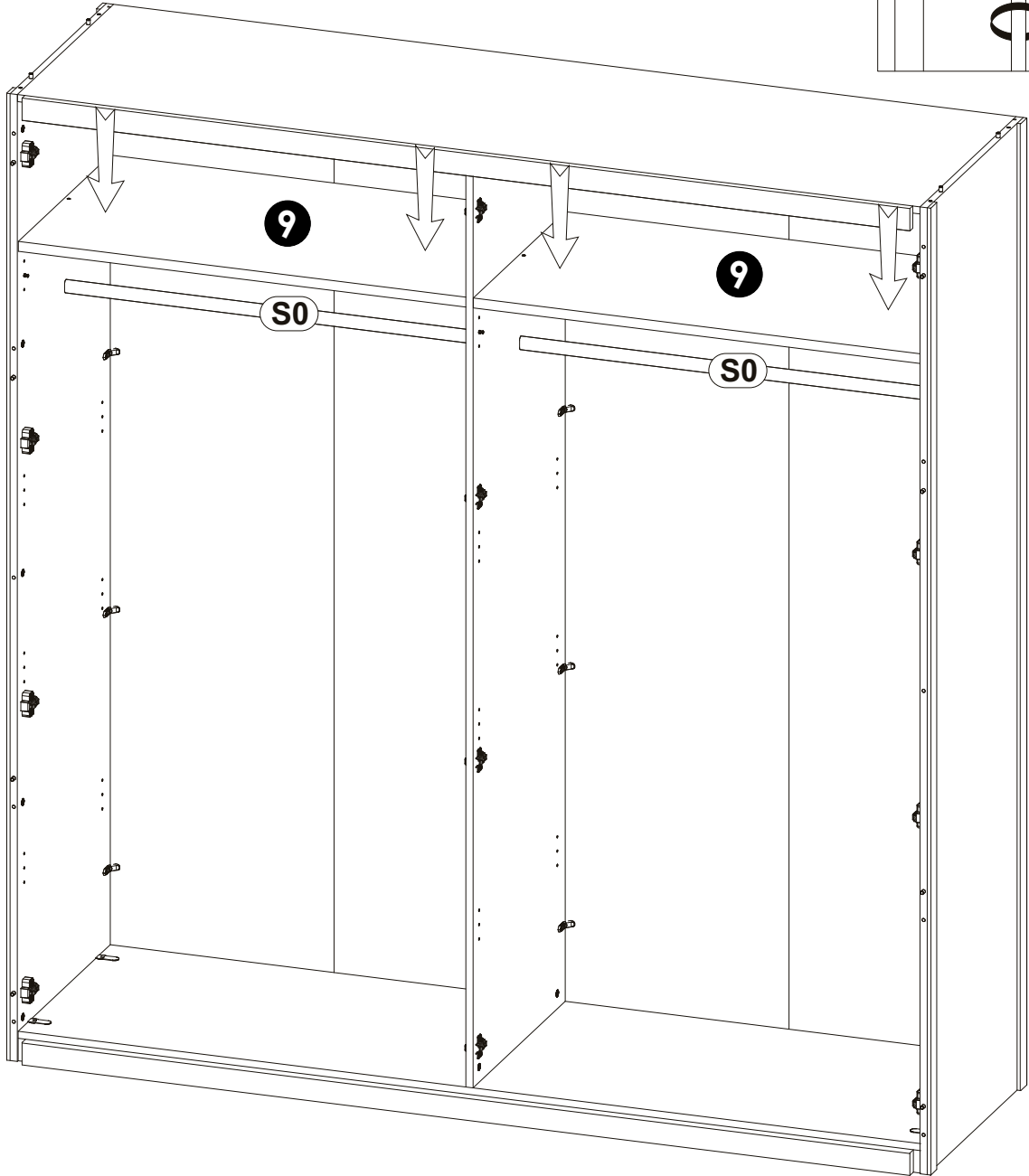
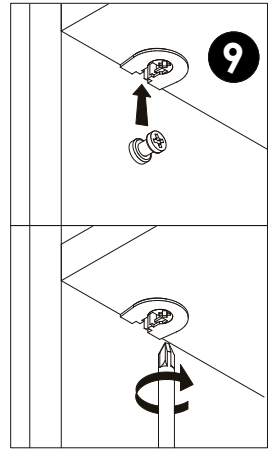


23

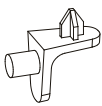



24

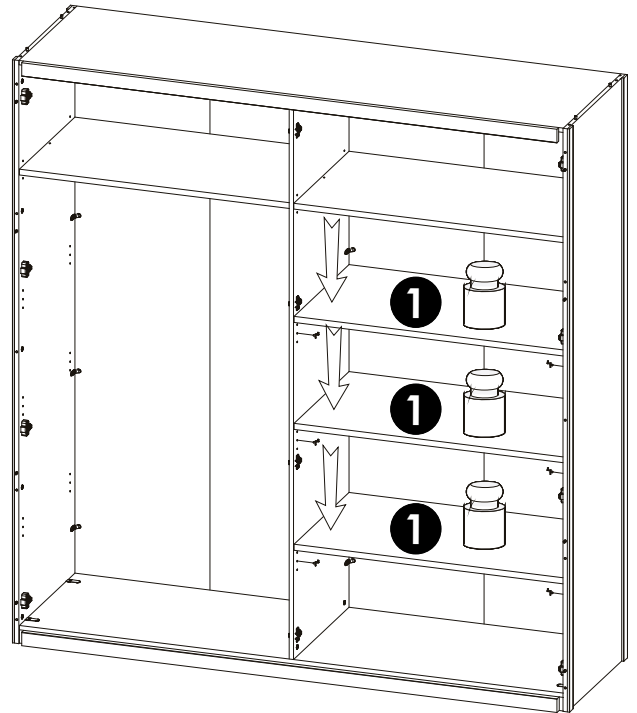
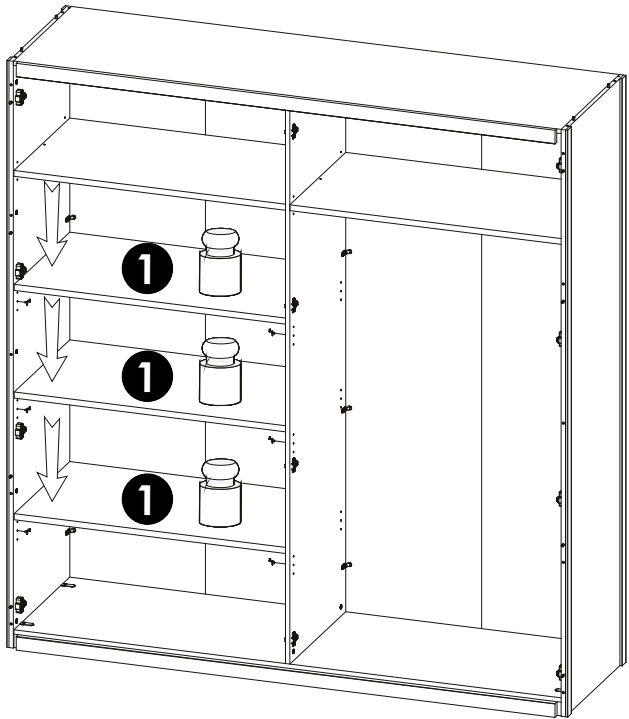
D5 3,5 x 16 mm 	x4	S0 L-993 	x2
---	-----------	--	-----------



OPTION

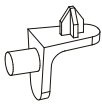
Q3  **x12**


1	561	1000	22	x3	1/1
					1/1

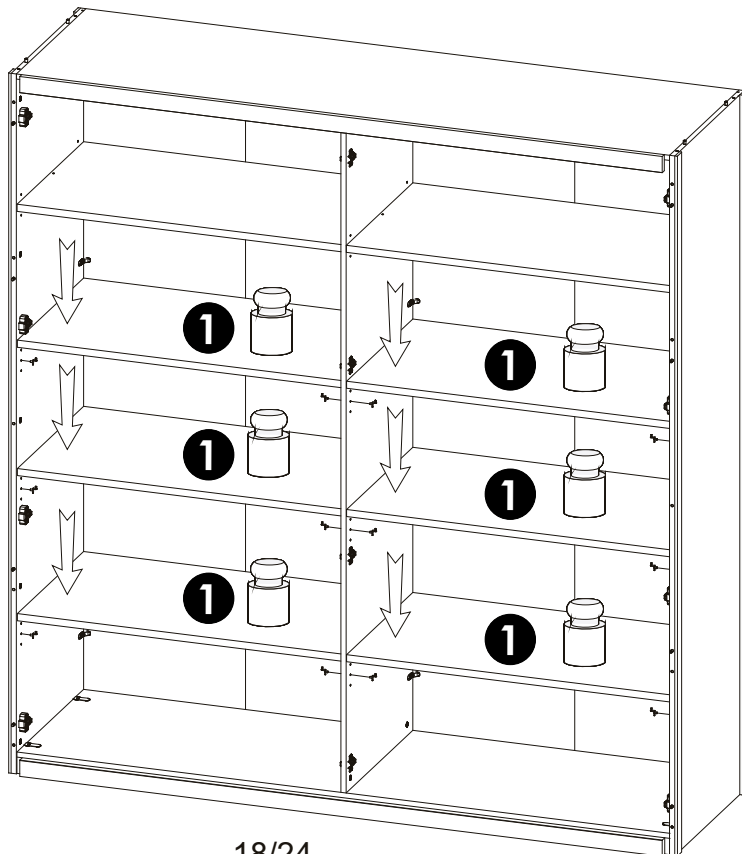
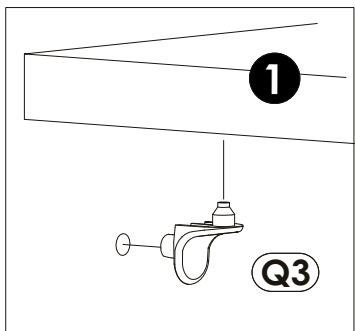


 max 5kg

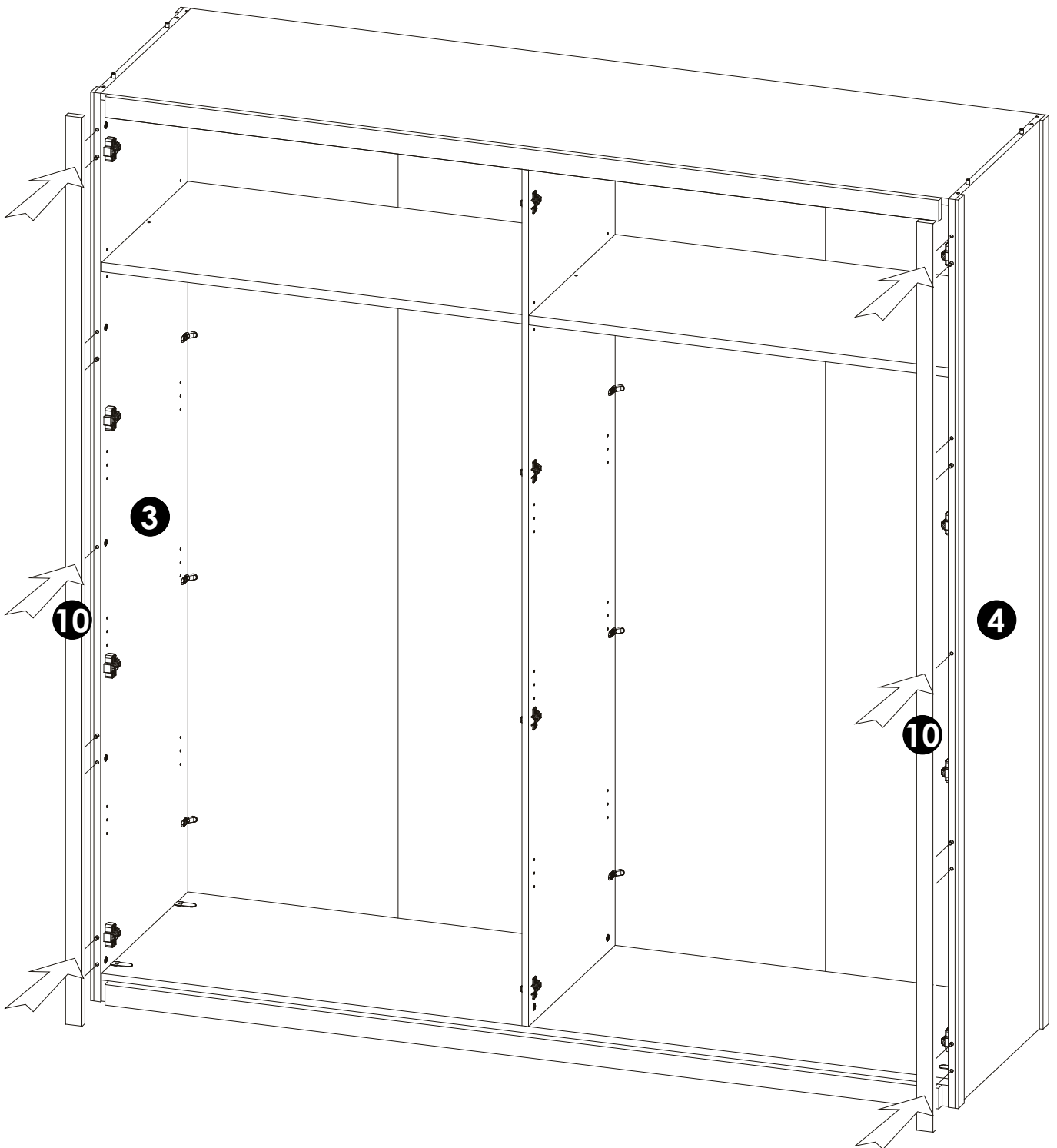
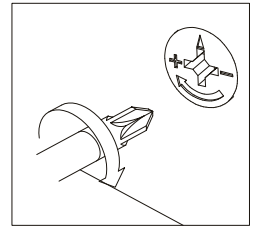
OPTION x2

Q3  **x24**

1	561	1000	22	x6	1/1
					1/1

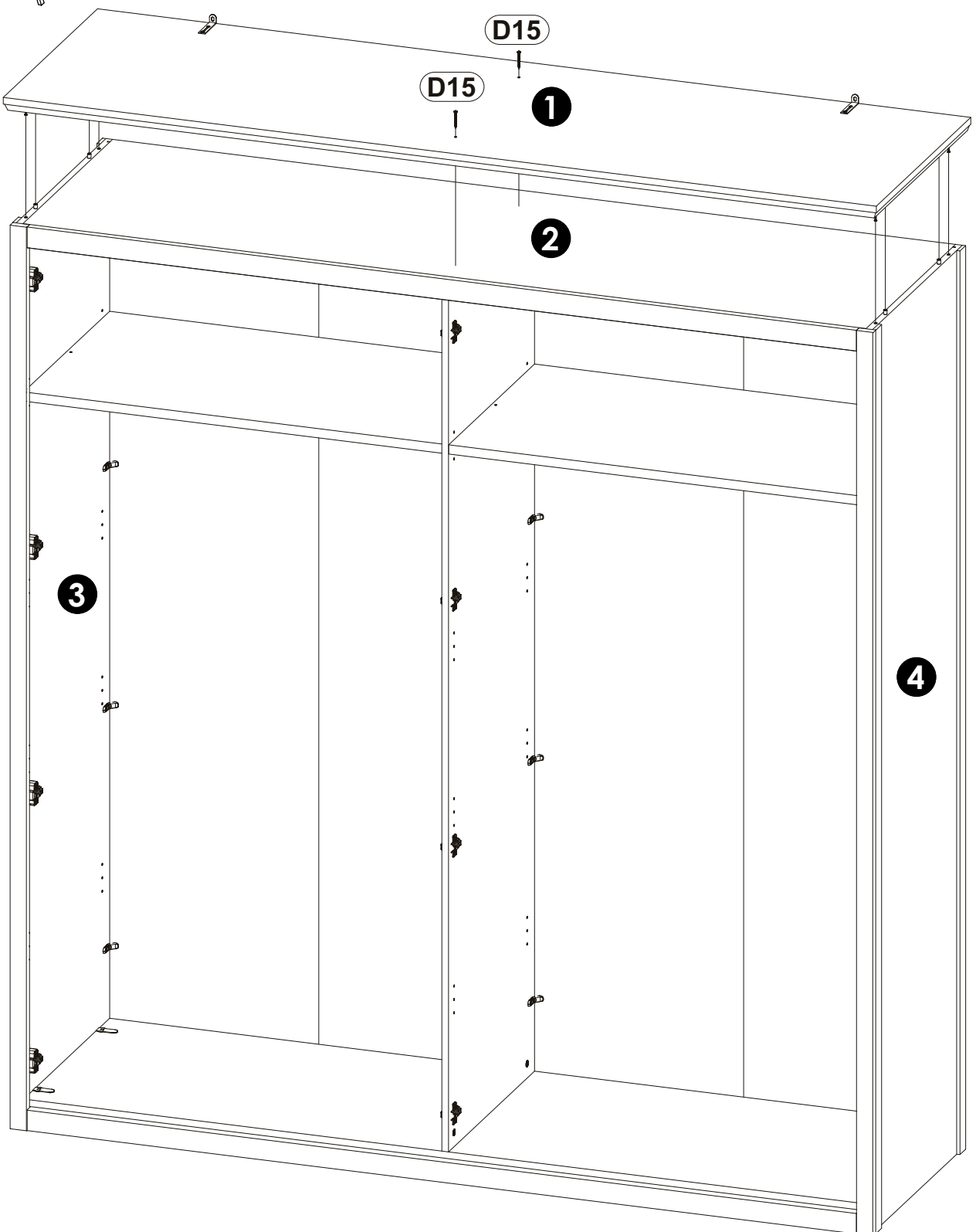
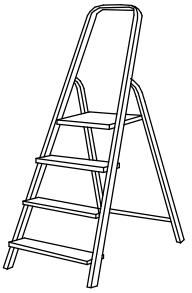
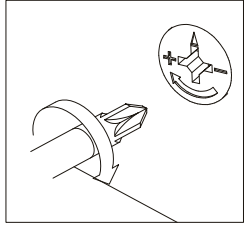



 max 5kg



26

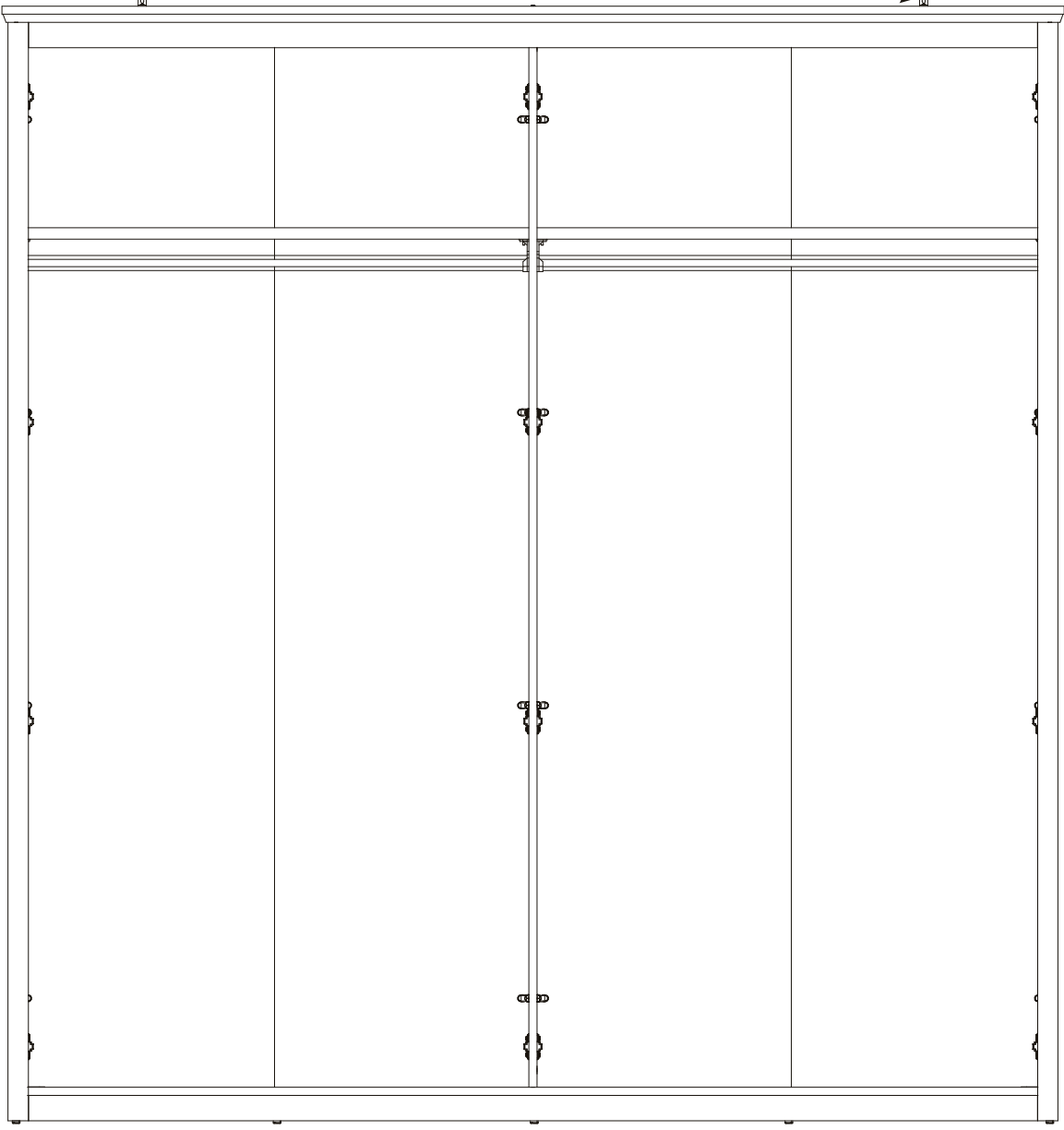
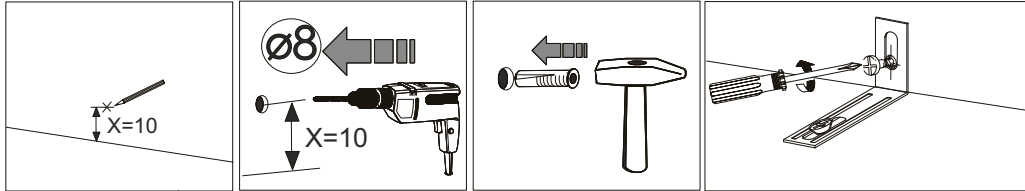
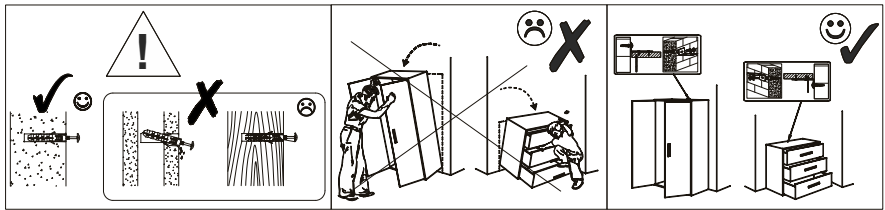
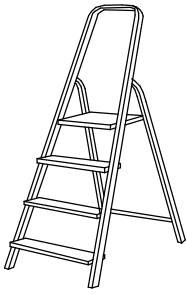
D15 4 x 45 mm **x2**

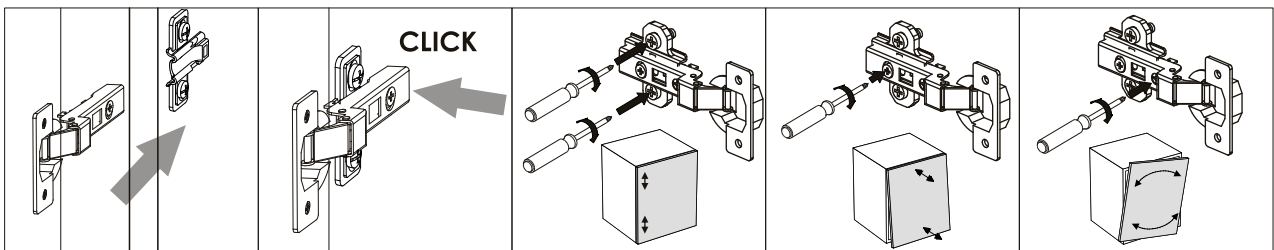
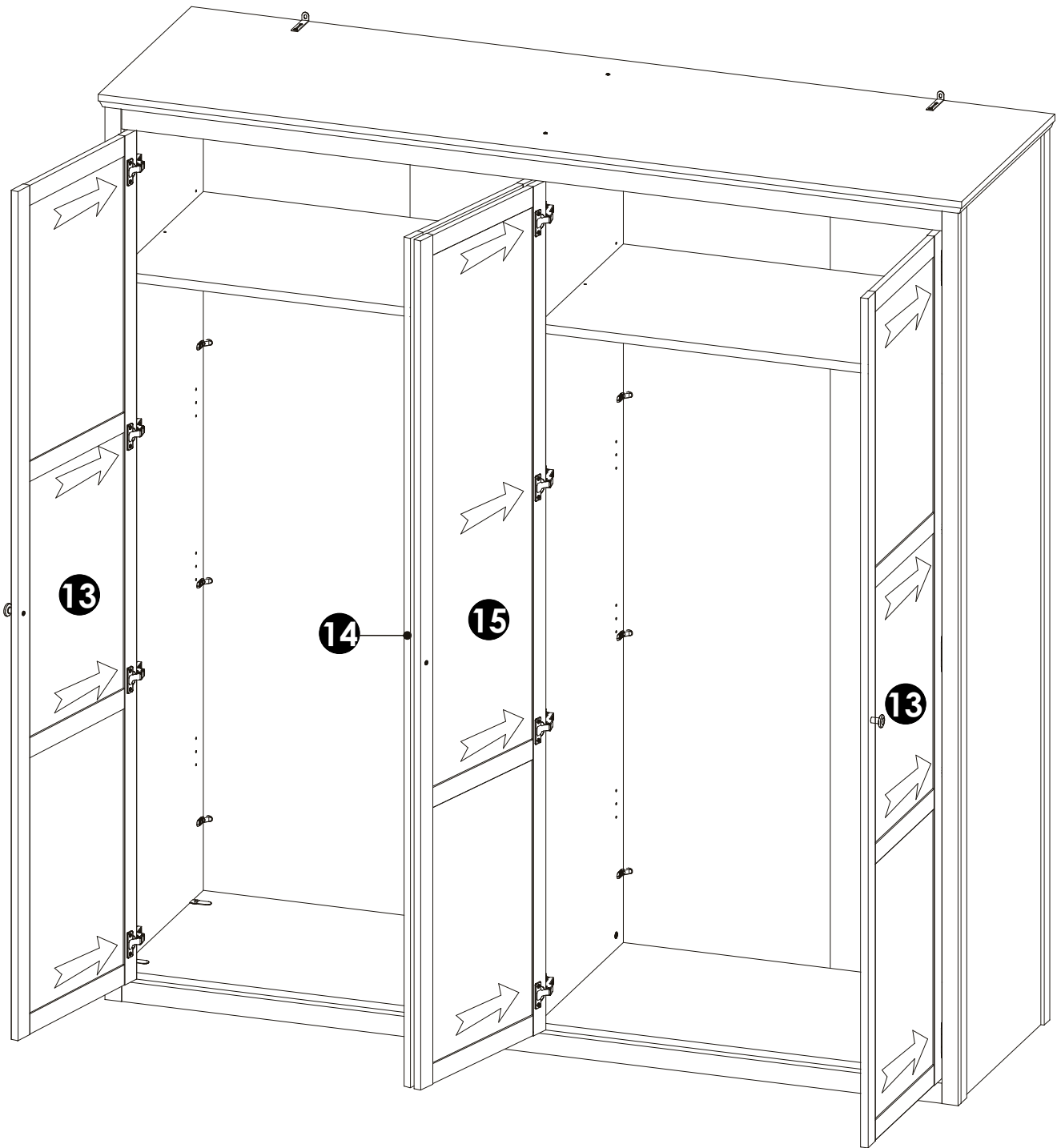


27

E0 **x2**

5 x 50 mm
8 x 50 mm





29

