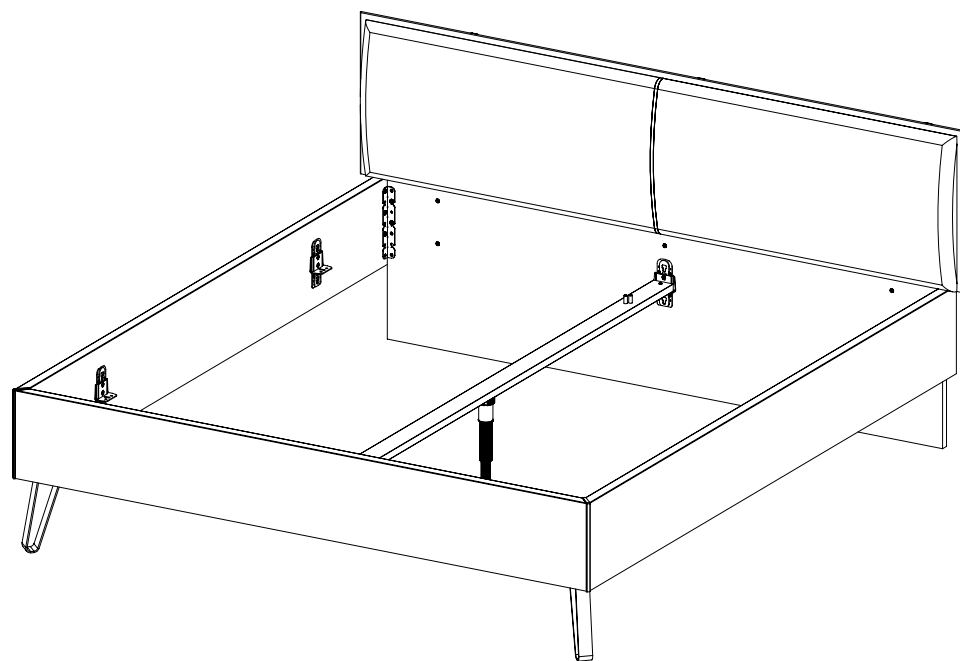
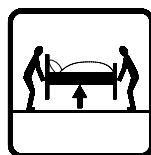
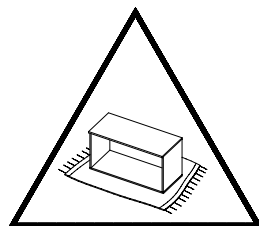
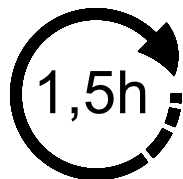
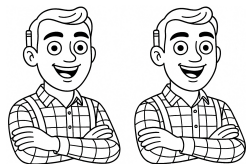
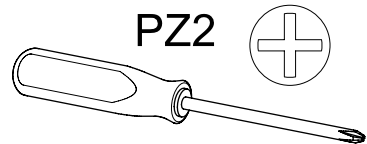


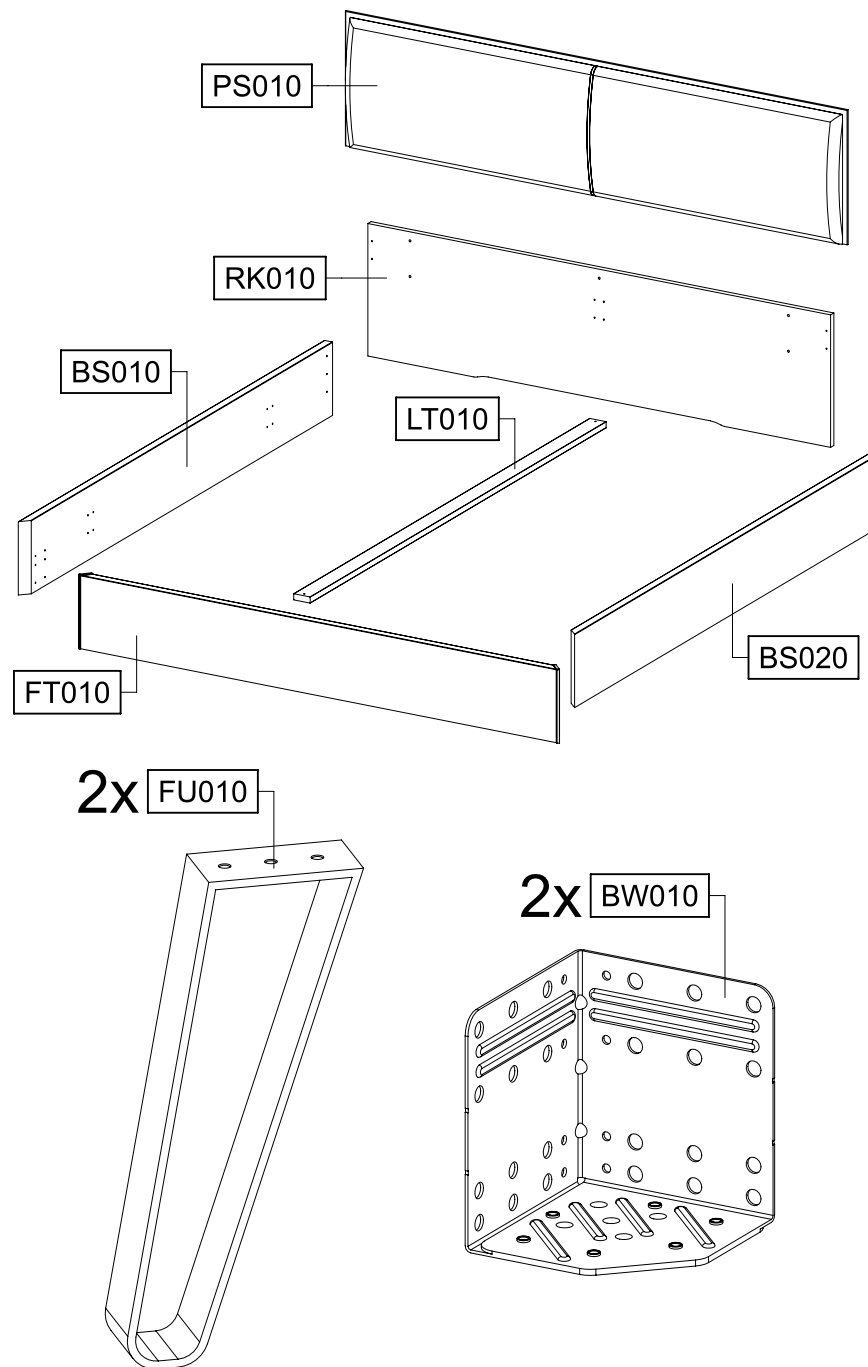
1.

M3250_01

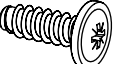



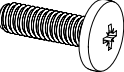
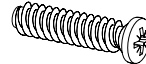


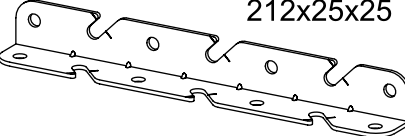

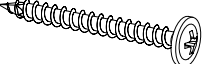
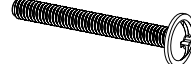

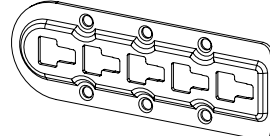
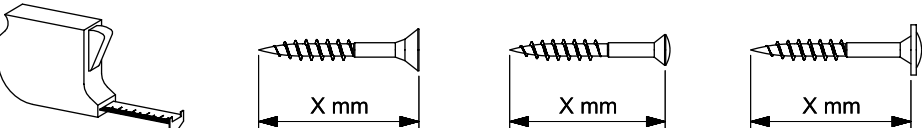


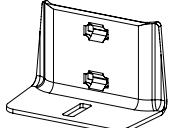
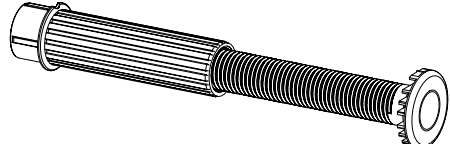
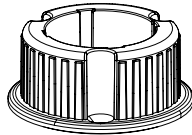
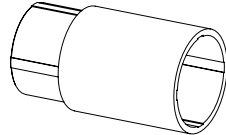
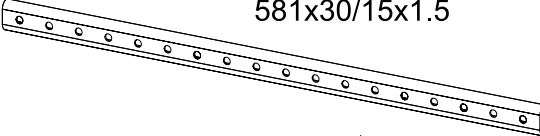
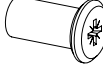

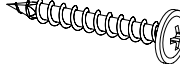
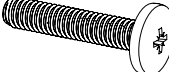

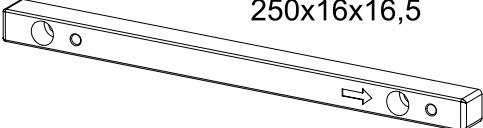
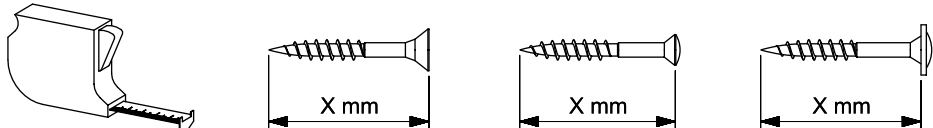
M3250

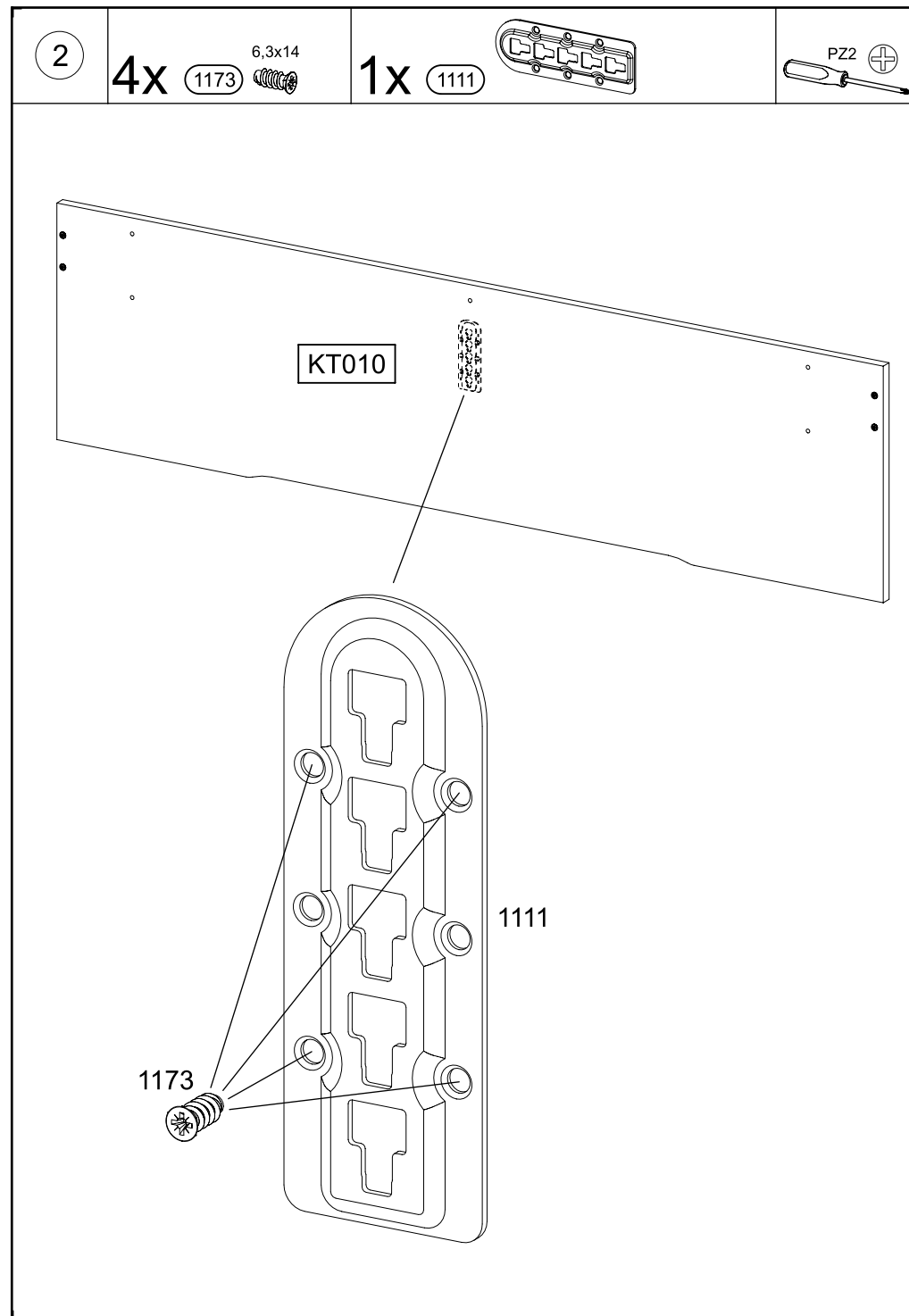
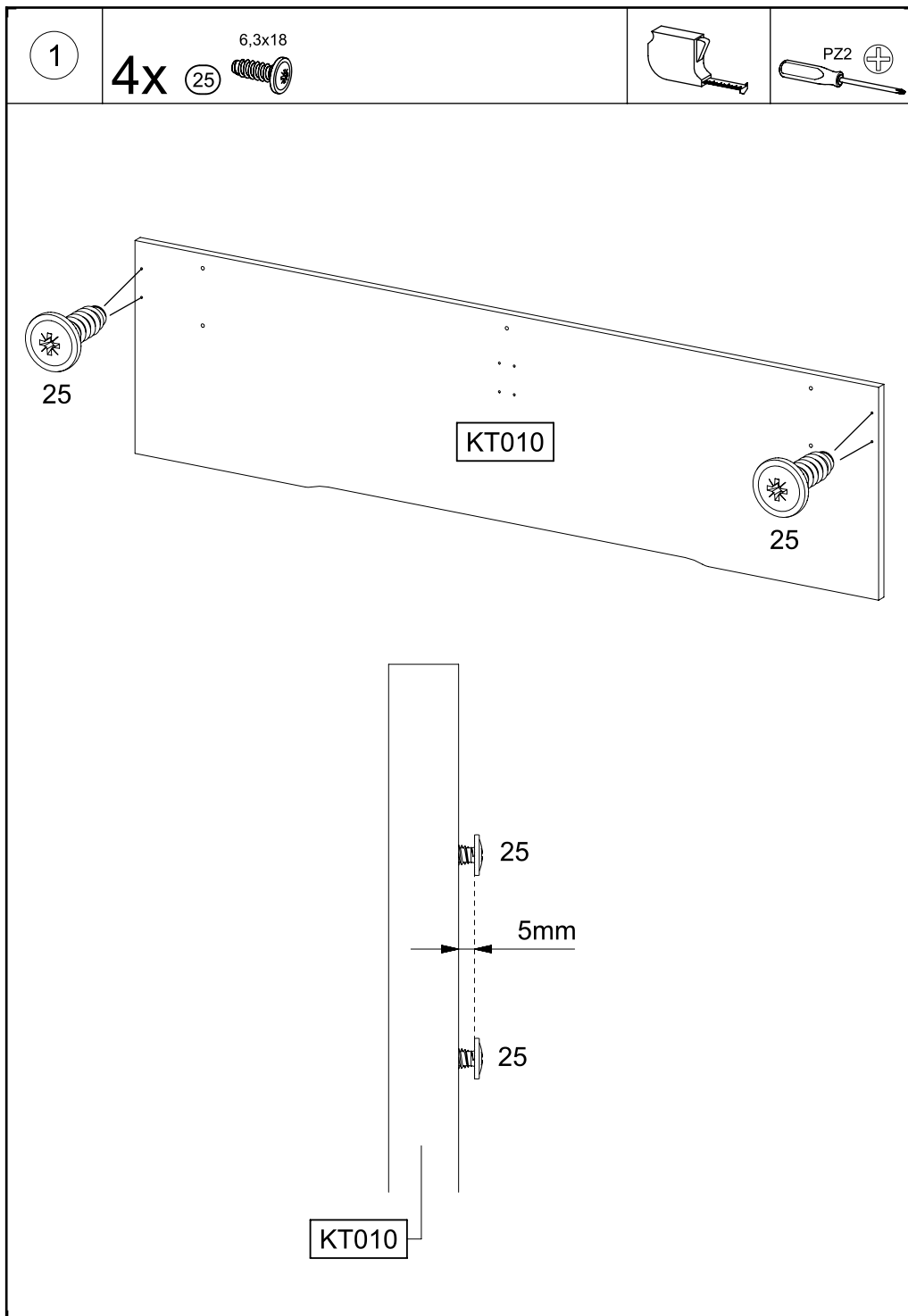
2.



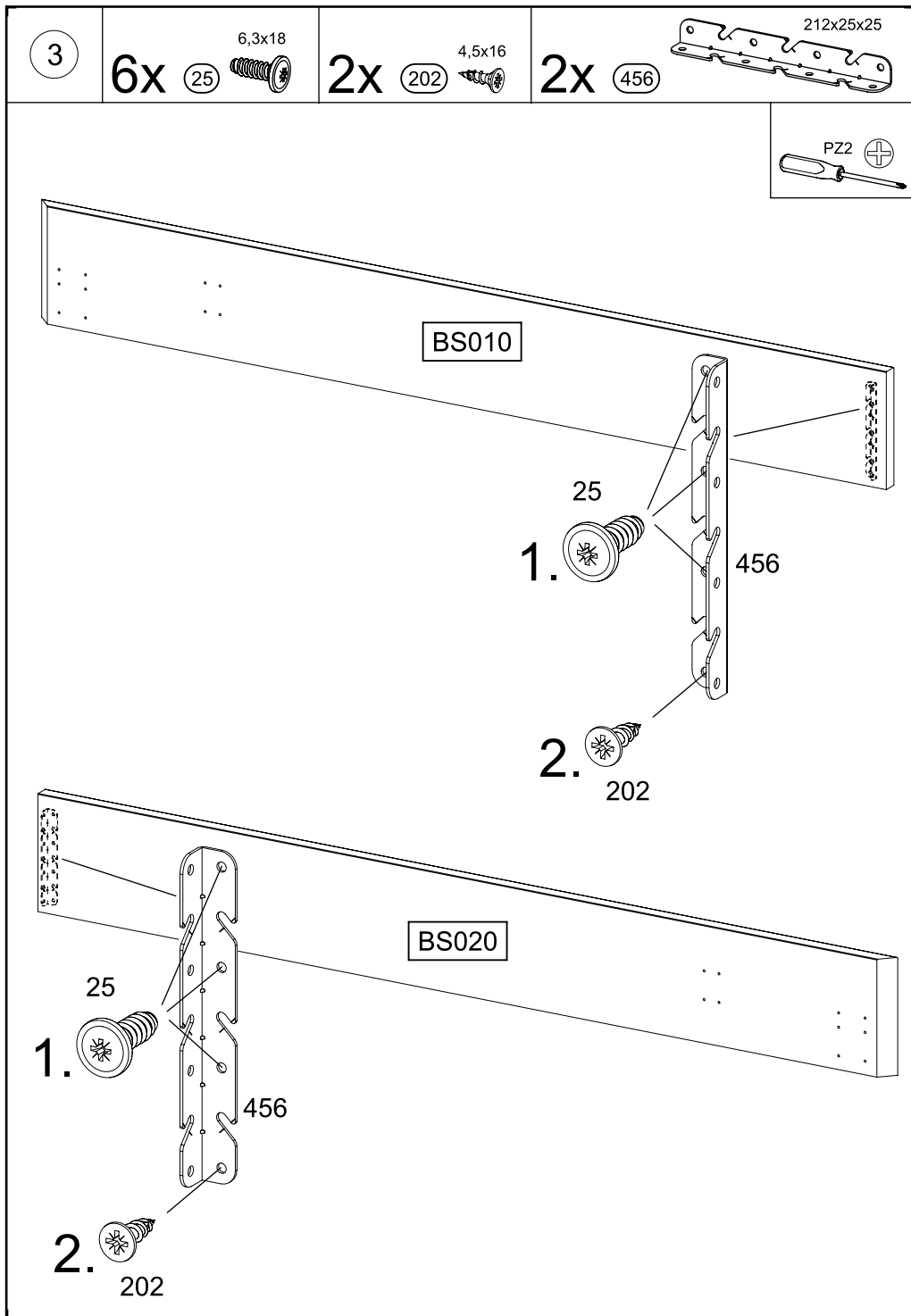
M3250

<p>10x 6,3x18  (25)</p>	<p>2x M4  (176)</p>
<p>2x  (197)</p>	<p>8x 4,5x16  (202)</p>
<p>4x M6x20  (221)</p>	<p>24x 6,3x25  (242)</p>
<p>4x 4x21  (243)</p>	<p>3x 4x20  (427)</p>
<p>2x 212x25x25  (456)</p>	<p>24x 6,3x14  (1173)</p>
<p>4x 4x40  (525)</p>	<p>2x M4x35  (571)</p>
<p>4x 10/5x22  (581)</p>	<p>6x  (1111)</p>
	

<p>6x  (1112)</p>	<p>1x  (1118)</p>
<p>1x  (1119)</p>	<p>1x  (1120)</p>
<p>3x 581x30/15x1.5  (1121)</p>	<p>5x M6  (149)</p>
<p>3x  (114)</p>	<p>1x 4,5x35  (214)</p>
<p>5x M6x30  (204)</p>	<p>6x 4x45  (220)</p>
<p>3x 250x16x16,5  (142)</p>	
	

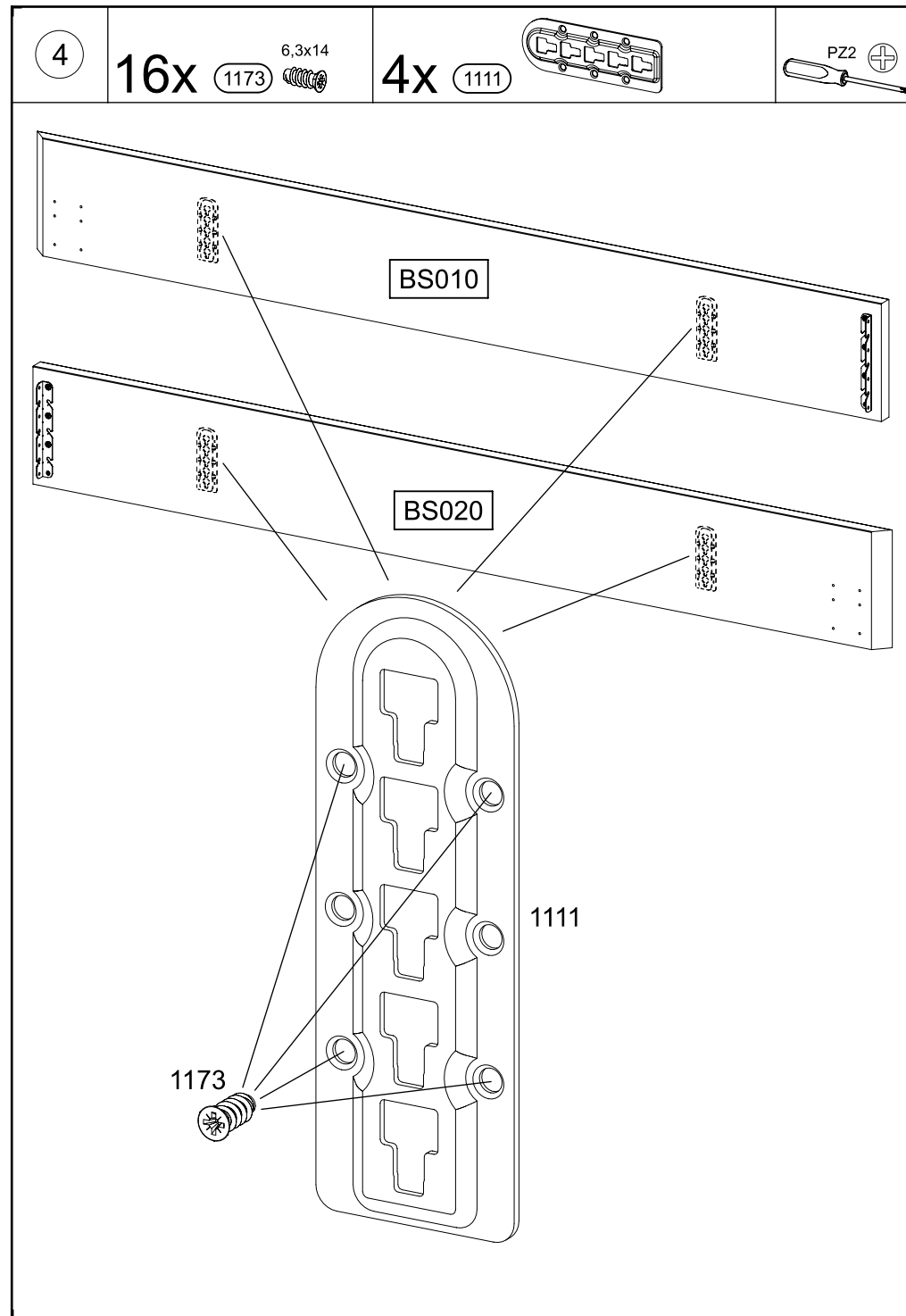


7.



M3250

8.

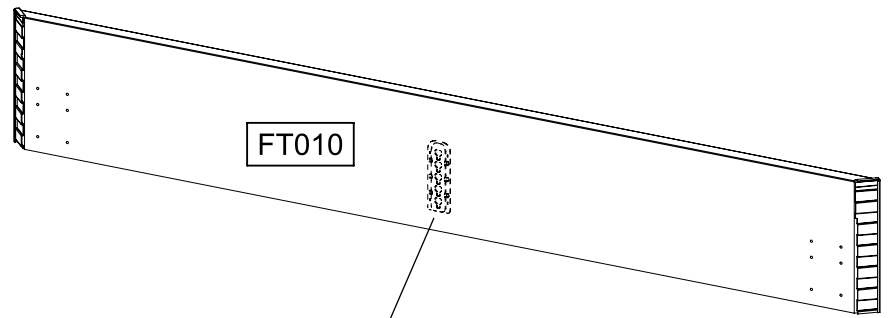
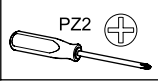


M3250

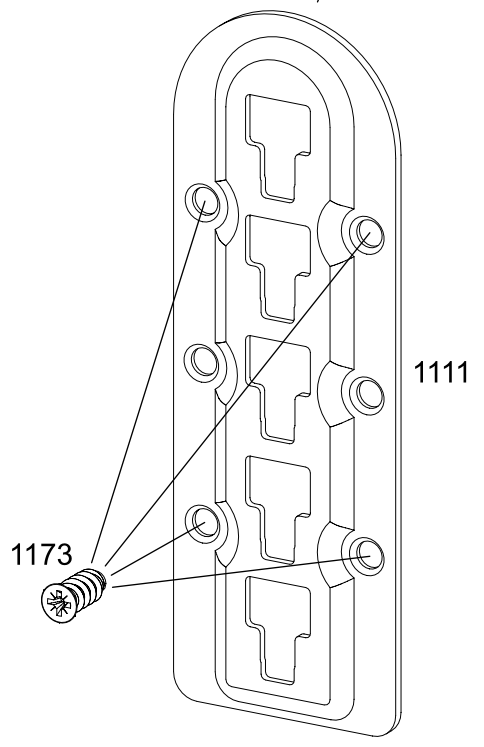
5

4x 483 6,3x16

1x 1111



FT010

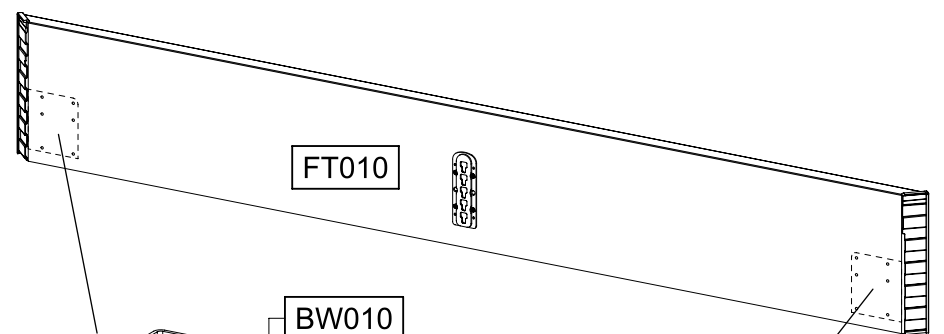
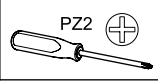


1111

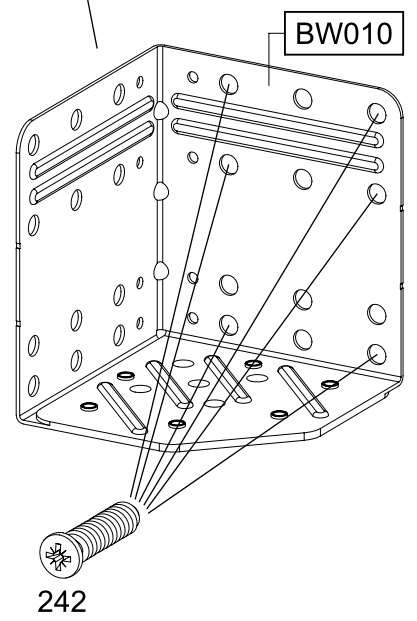
1173

6

12x 242 6,3x25

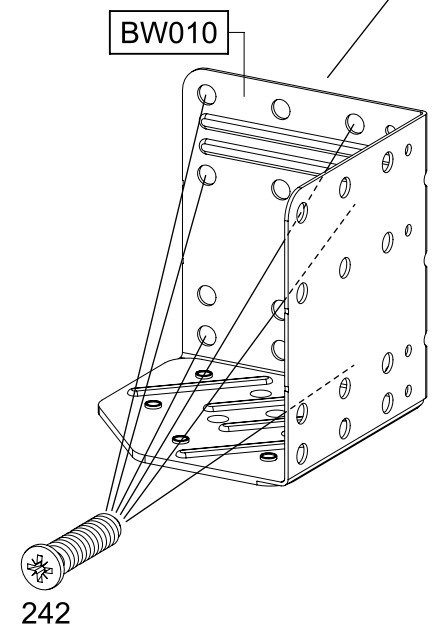


FT010



BW010

242



BW010

242

7

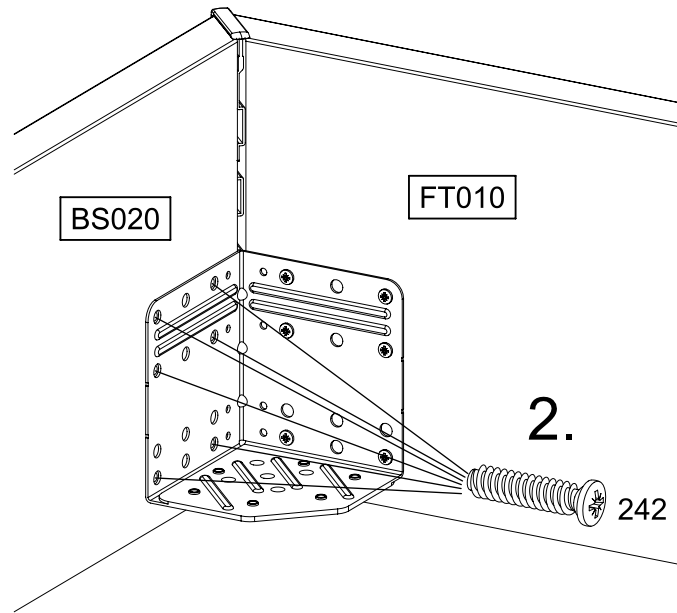
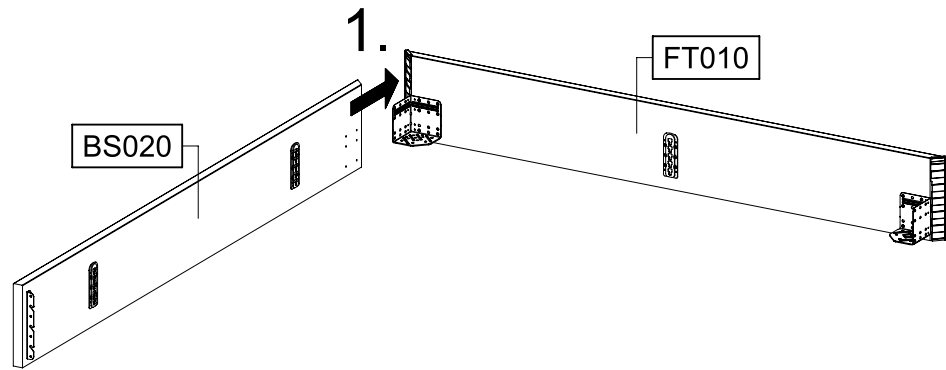
6x

242

6,3x25



PZ2



8

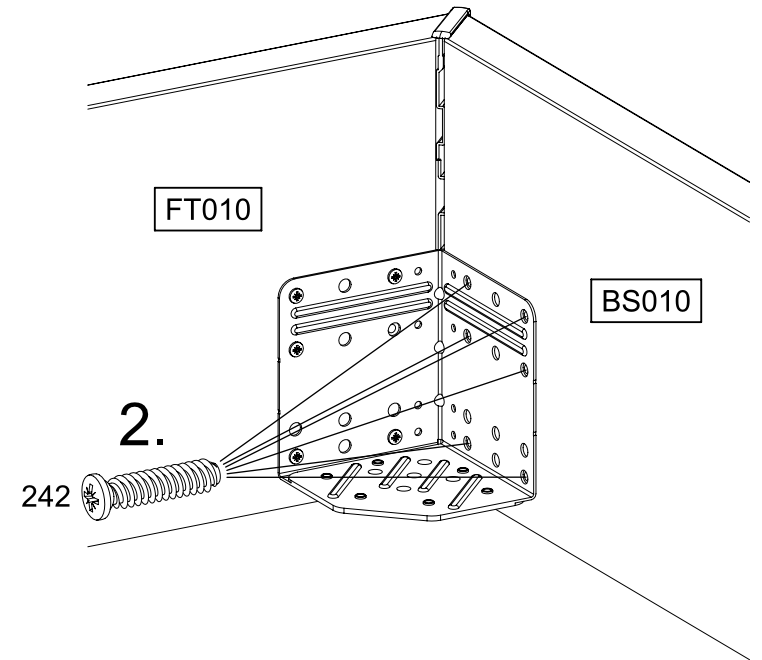
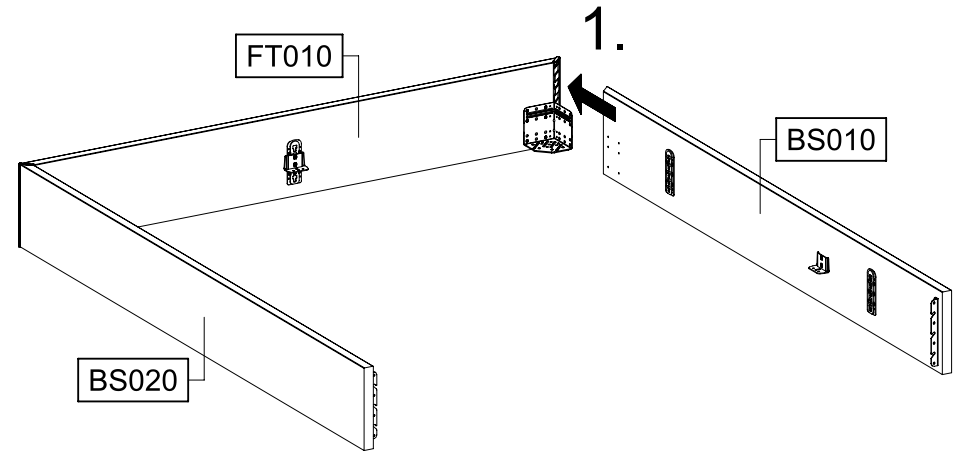
6x

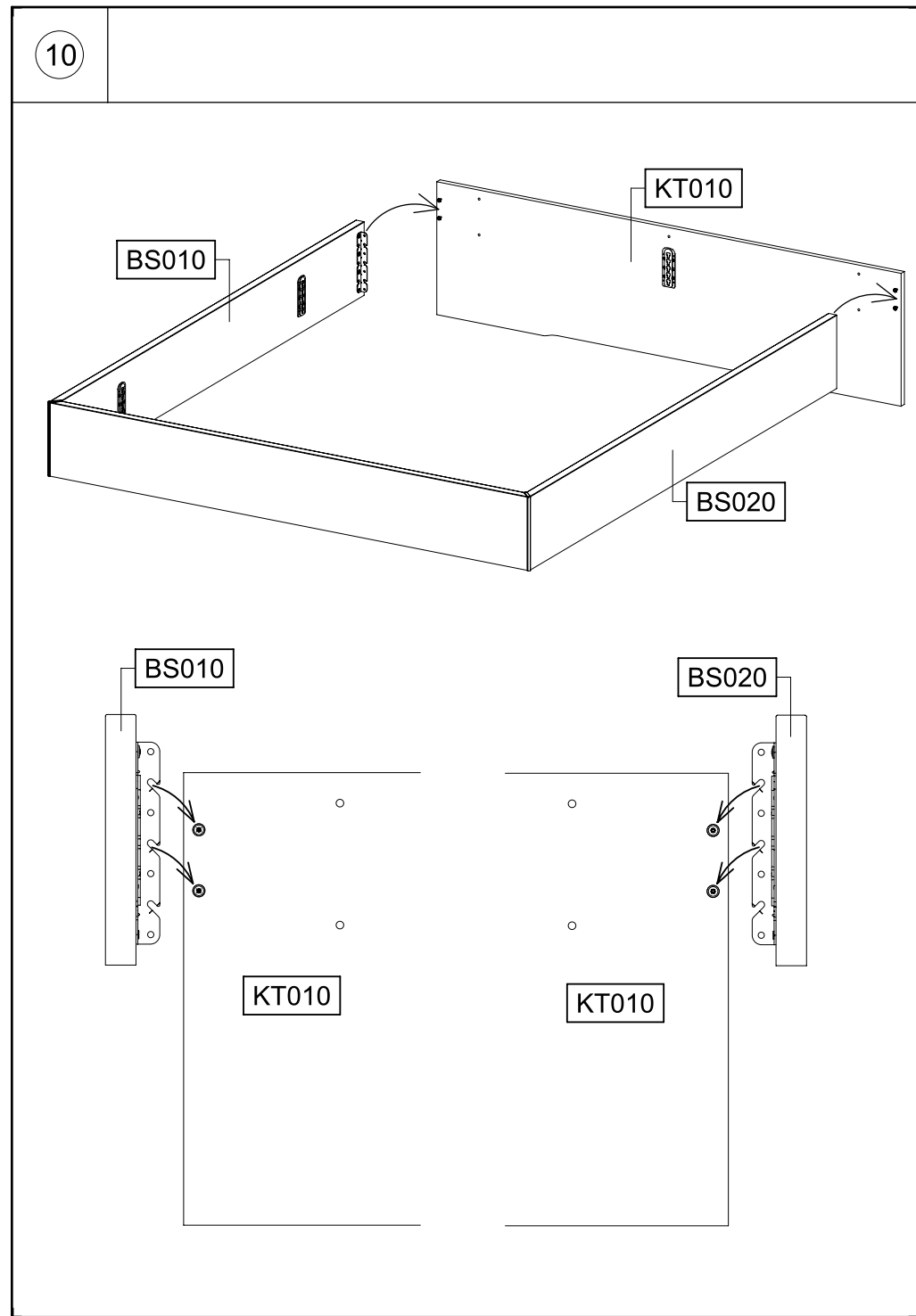
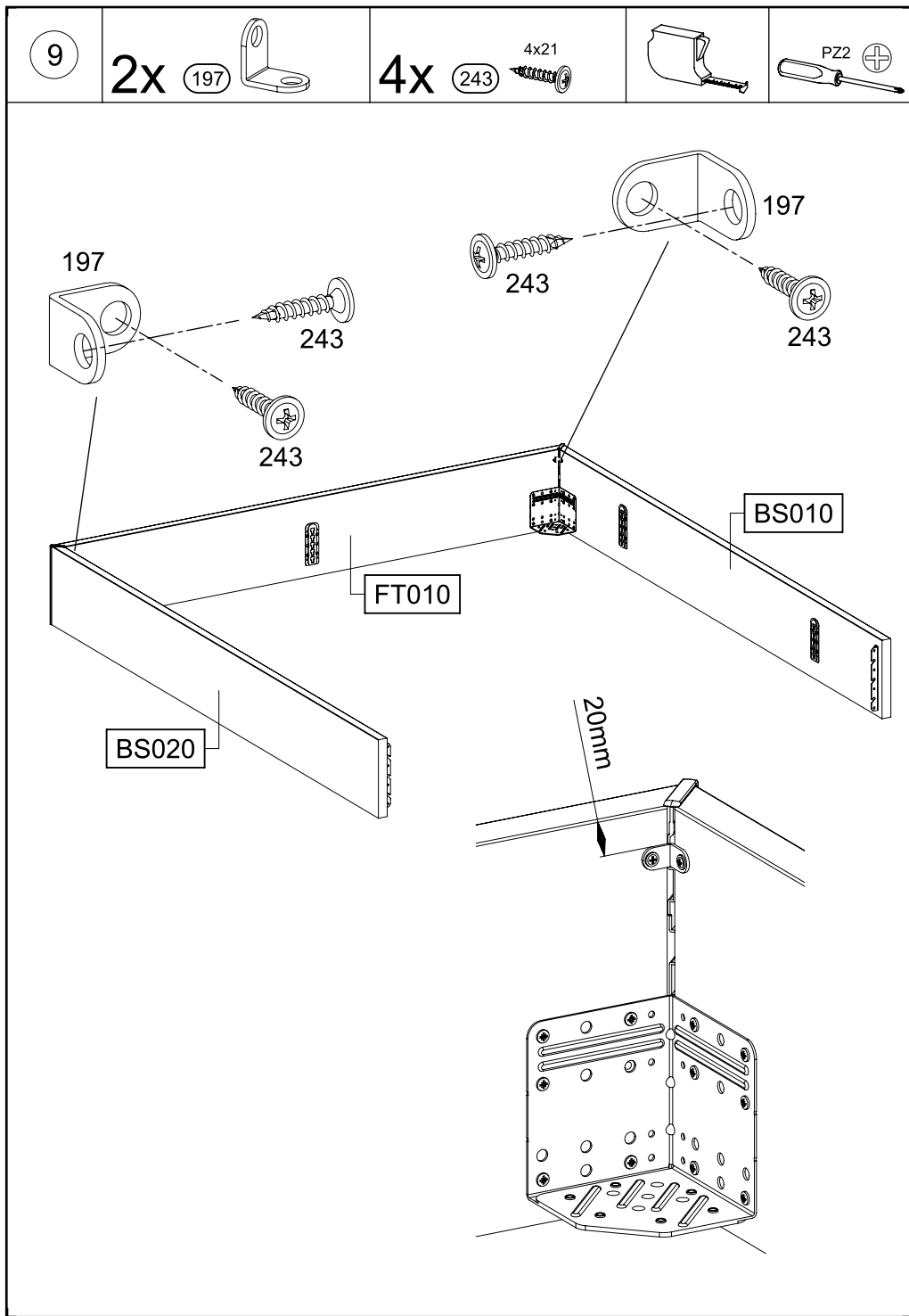
242

6,3x25



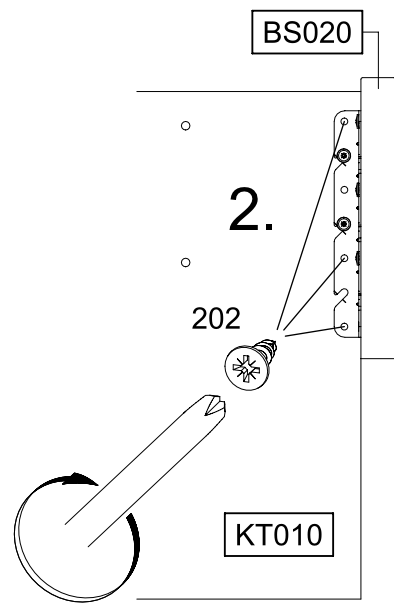
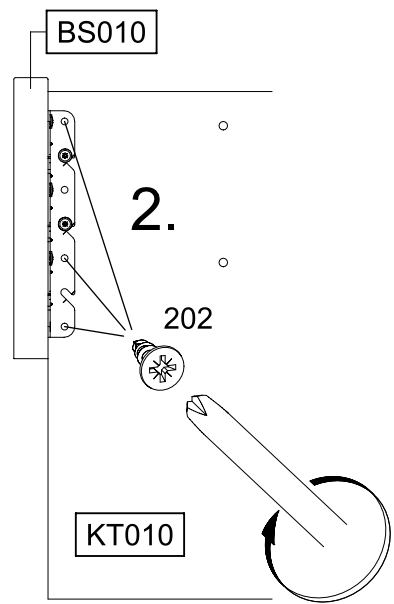
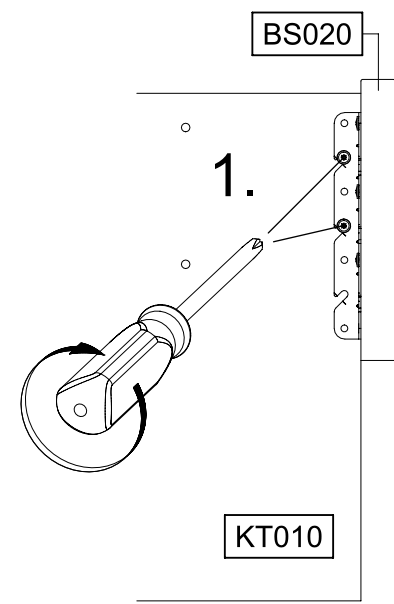
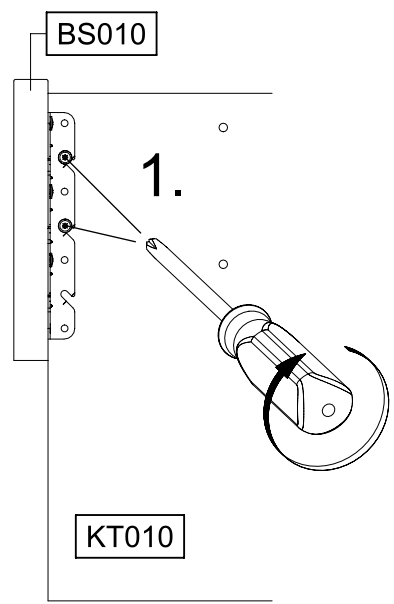
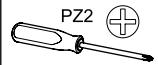
PZ2





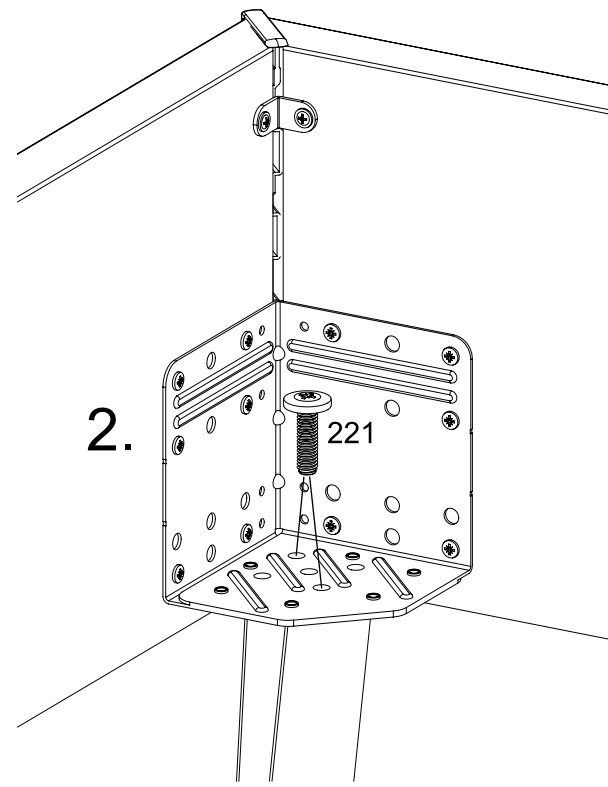
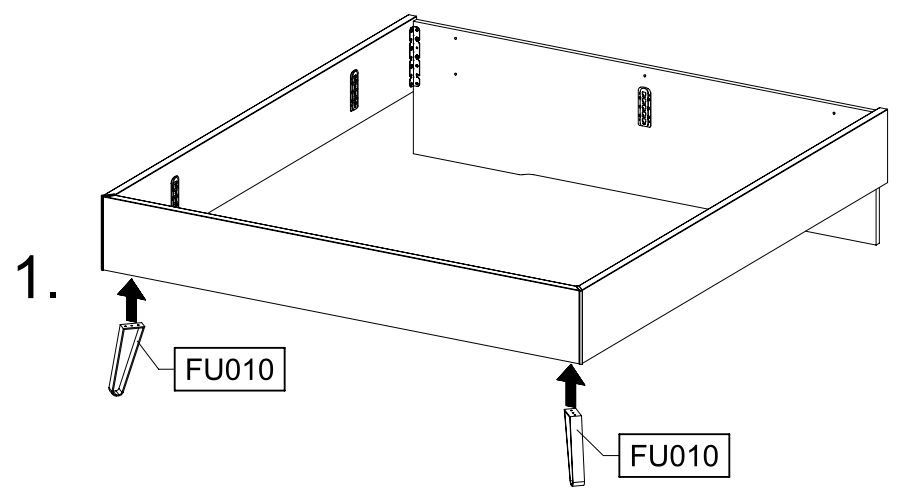
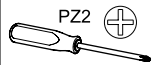
11

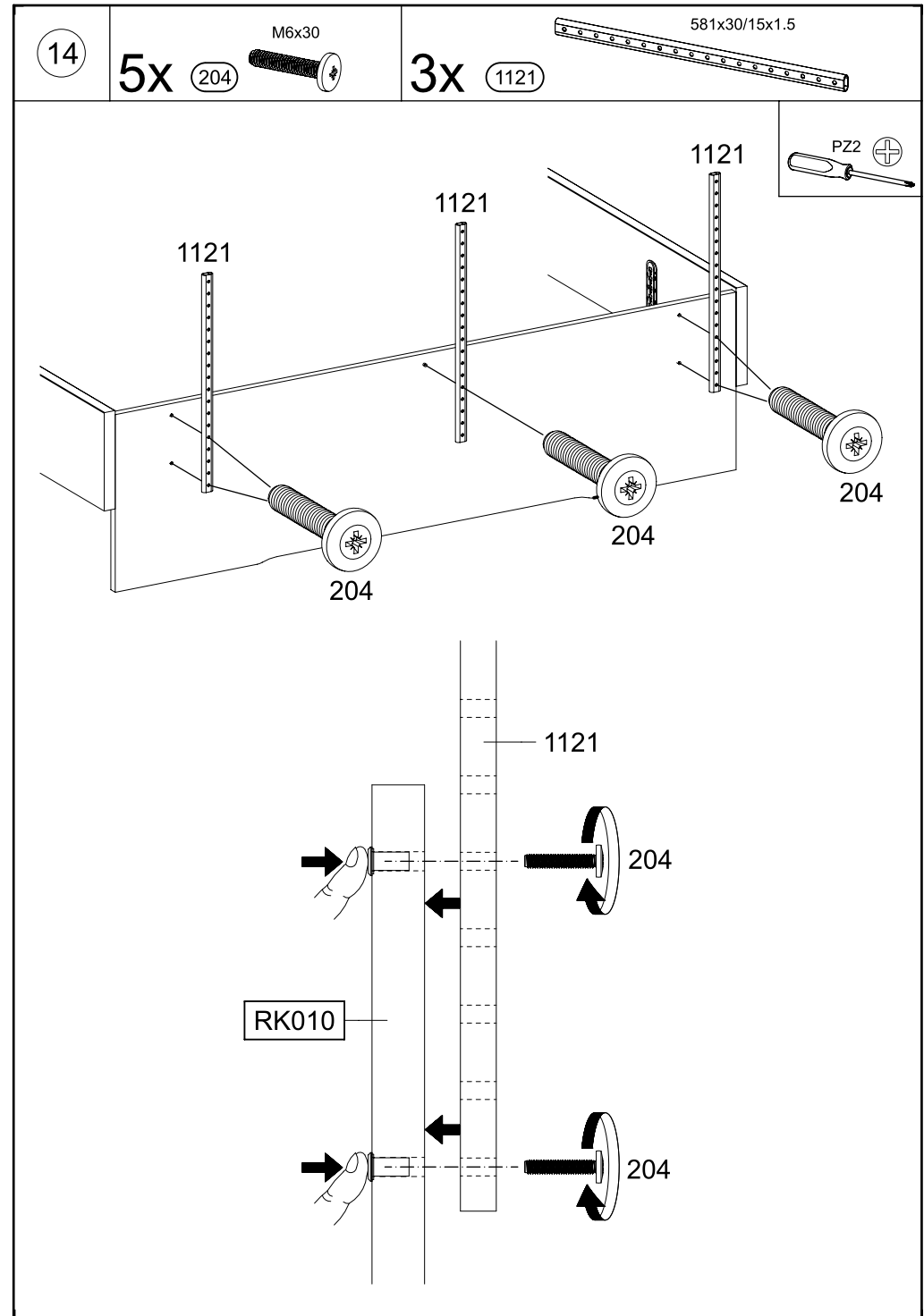
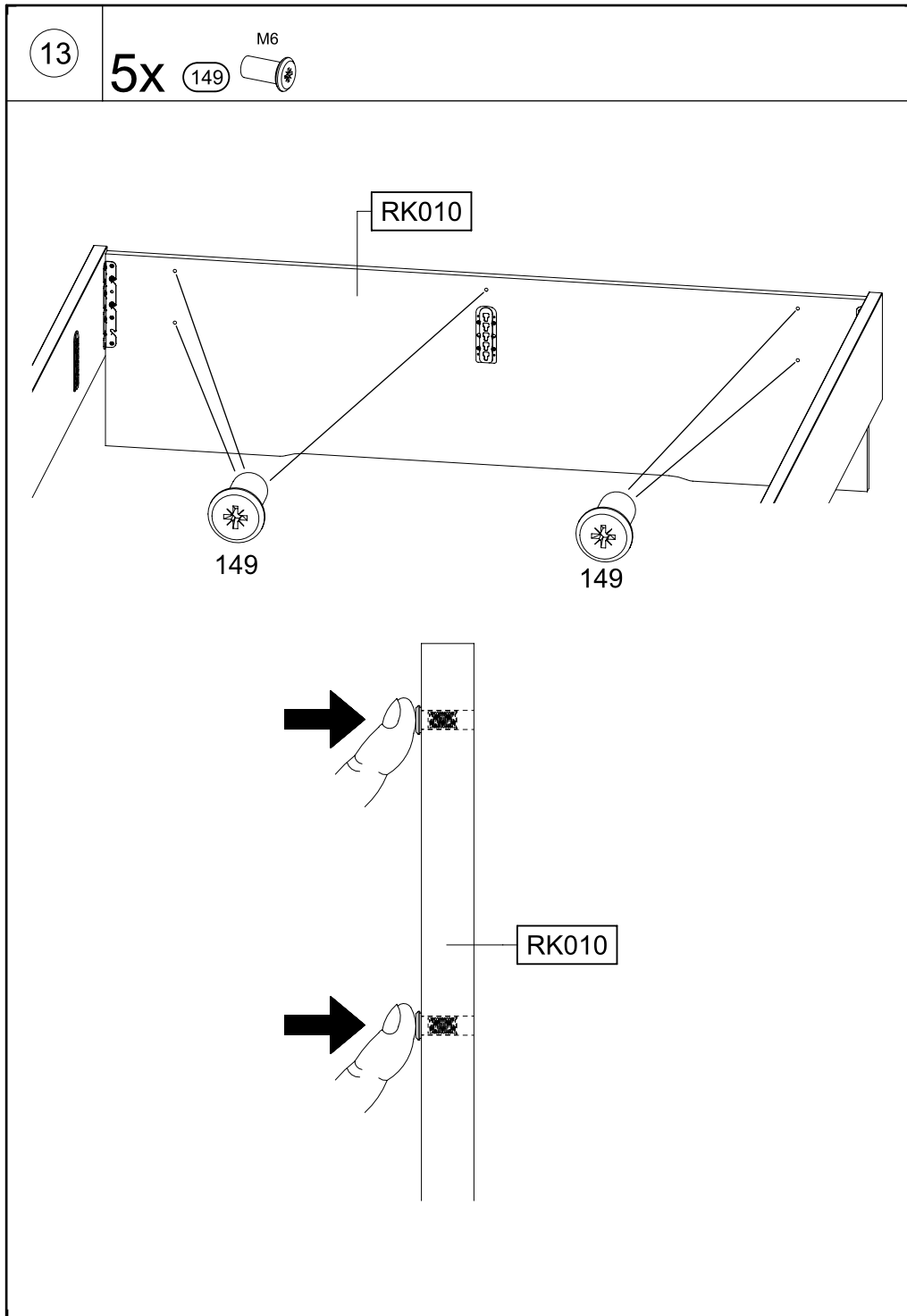
6x 202 4,5x16



12

4x 221 M6x20

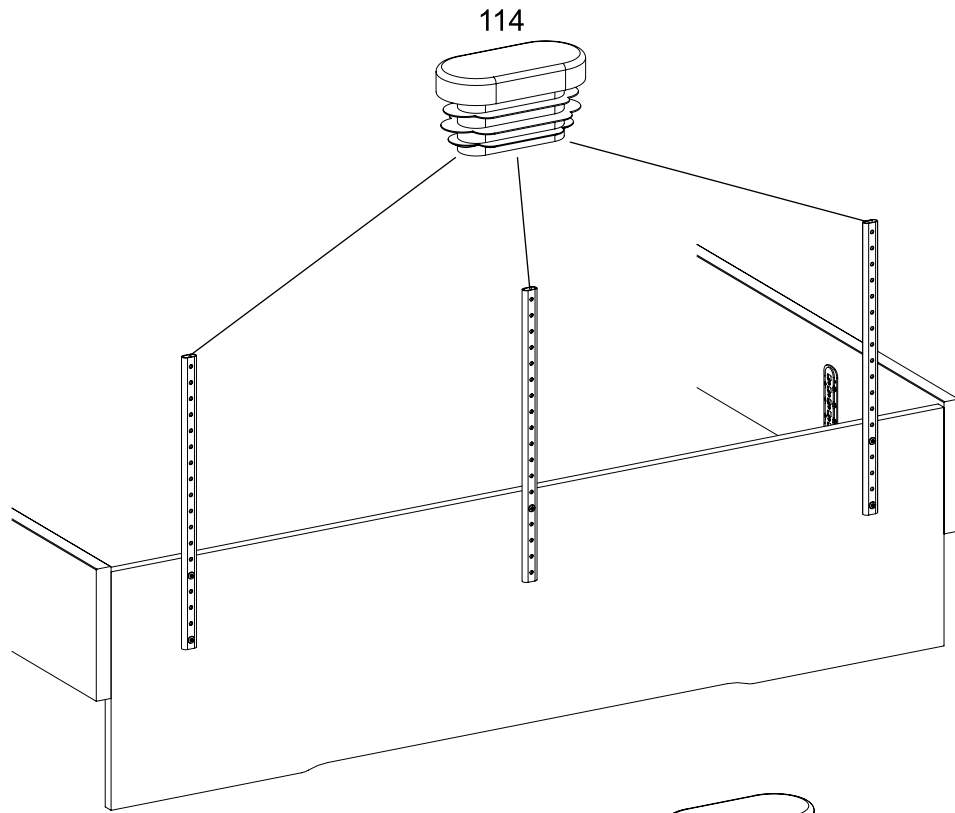
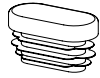




15

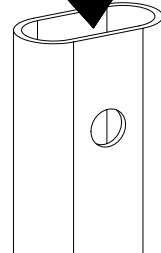
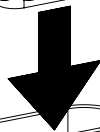
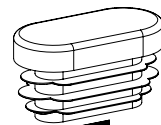
3x

114



114

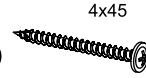
114



16

6x

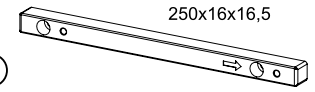
220



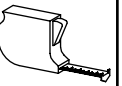
4x45

3x

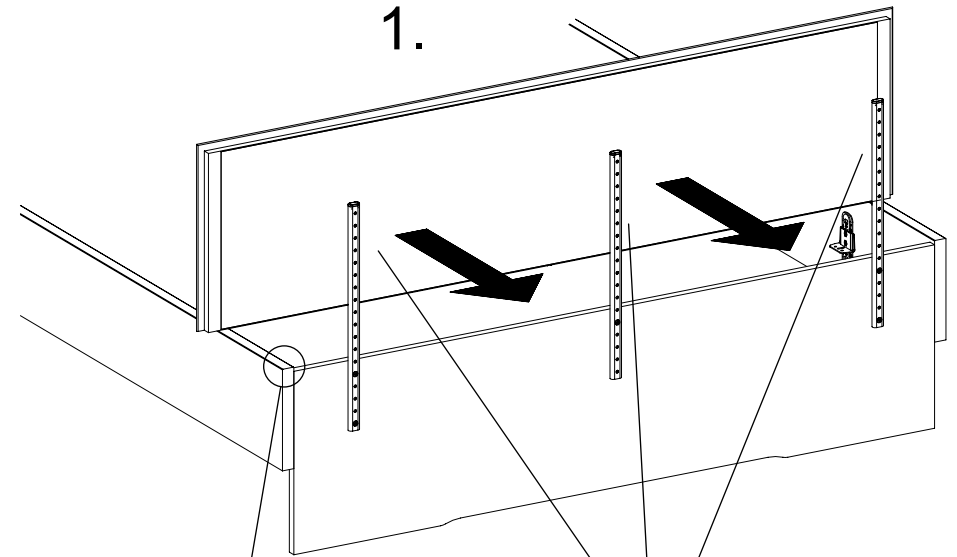
142



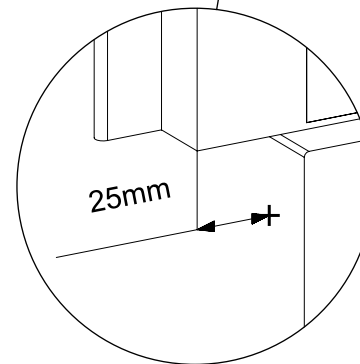
250x16x16,5



PZ2

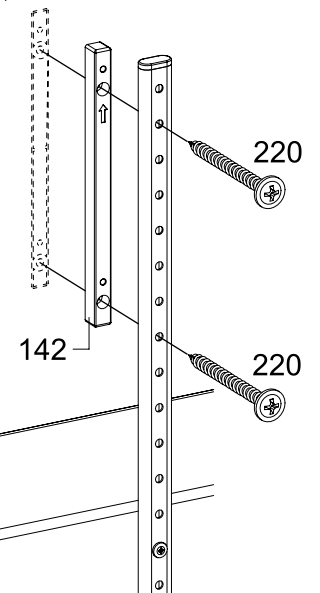


1.



25mm

2.



220

220

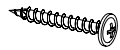
142

17

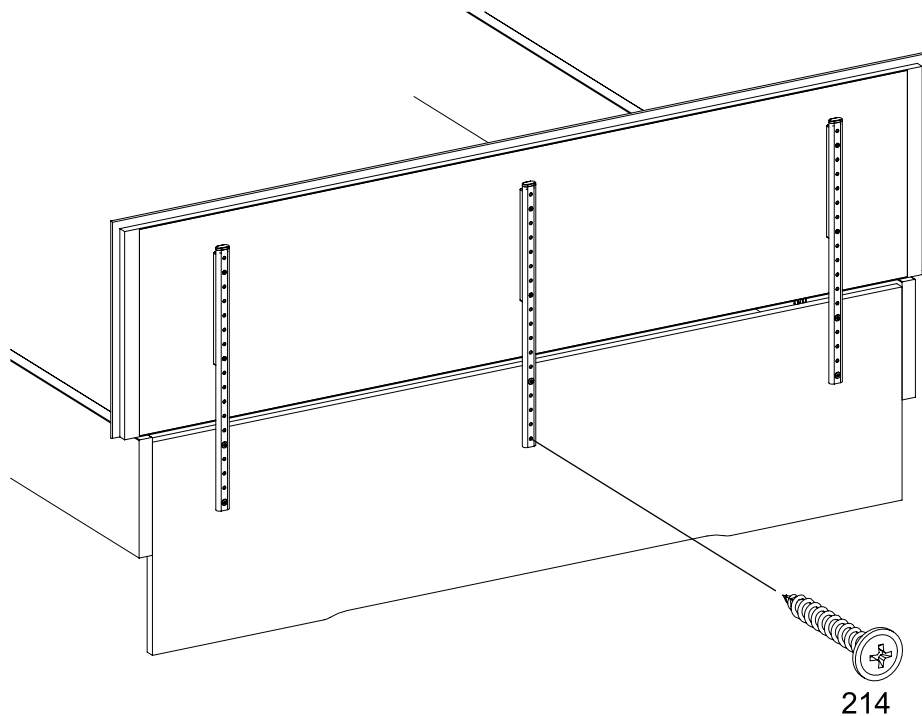
1x

214

4,5x35



PZ2

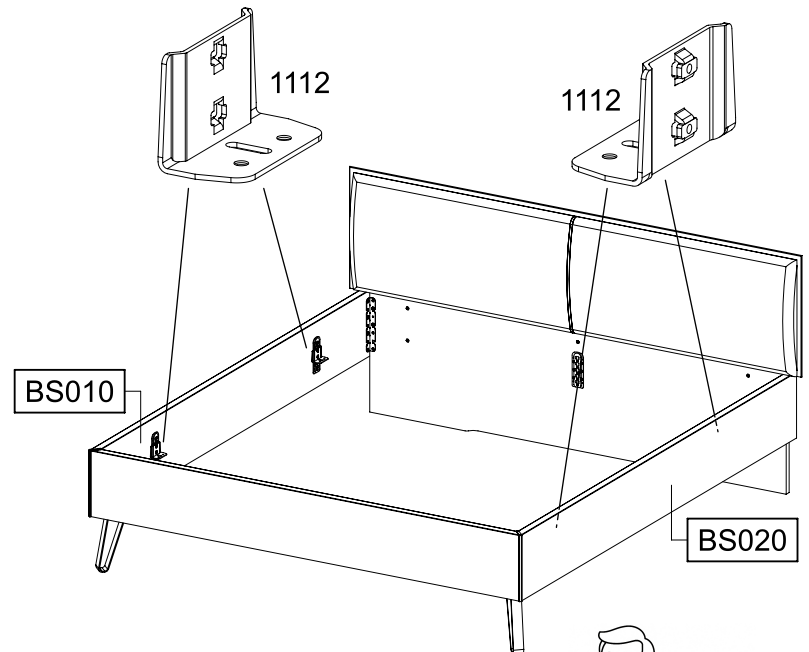
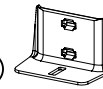


214

18

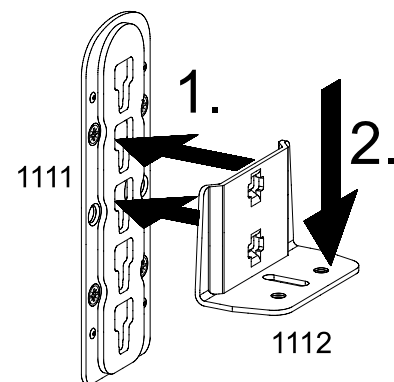
4x

1112



BS010

BS020

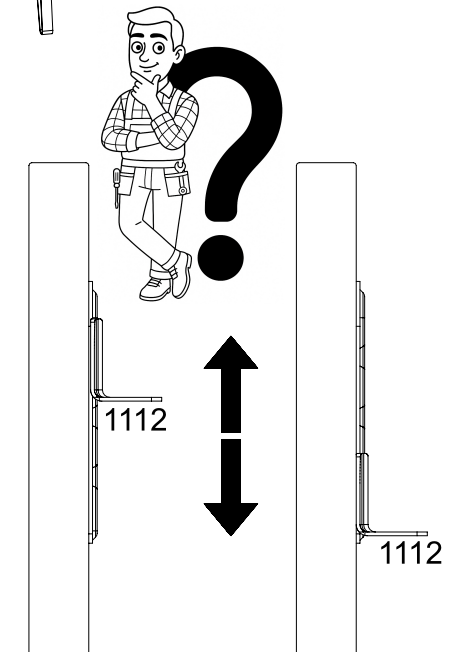


1111

1.

2.

1112

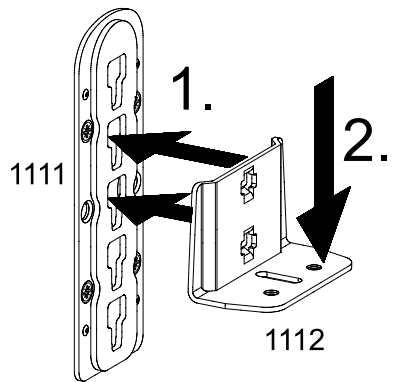
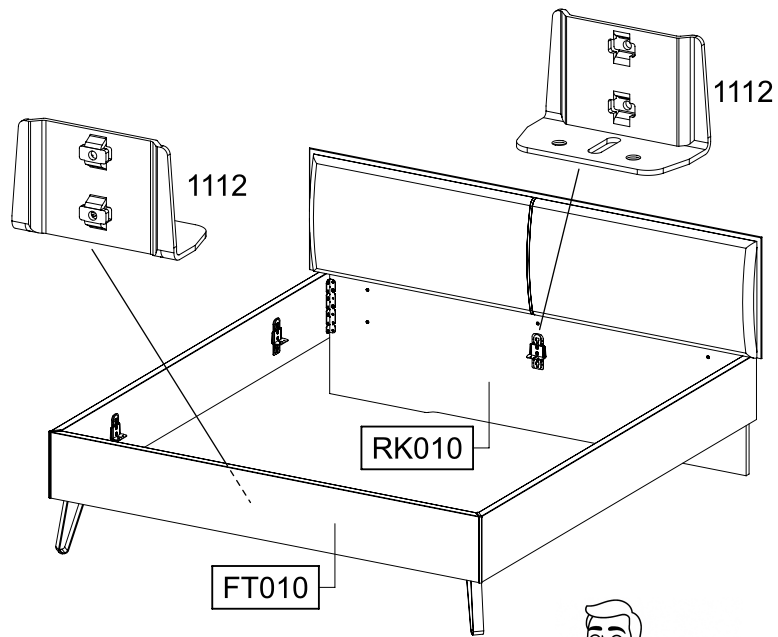
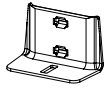


1112

1112

19

2x 1112



RK010
FT010



1112

RK010
FT010

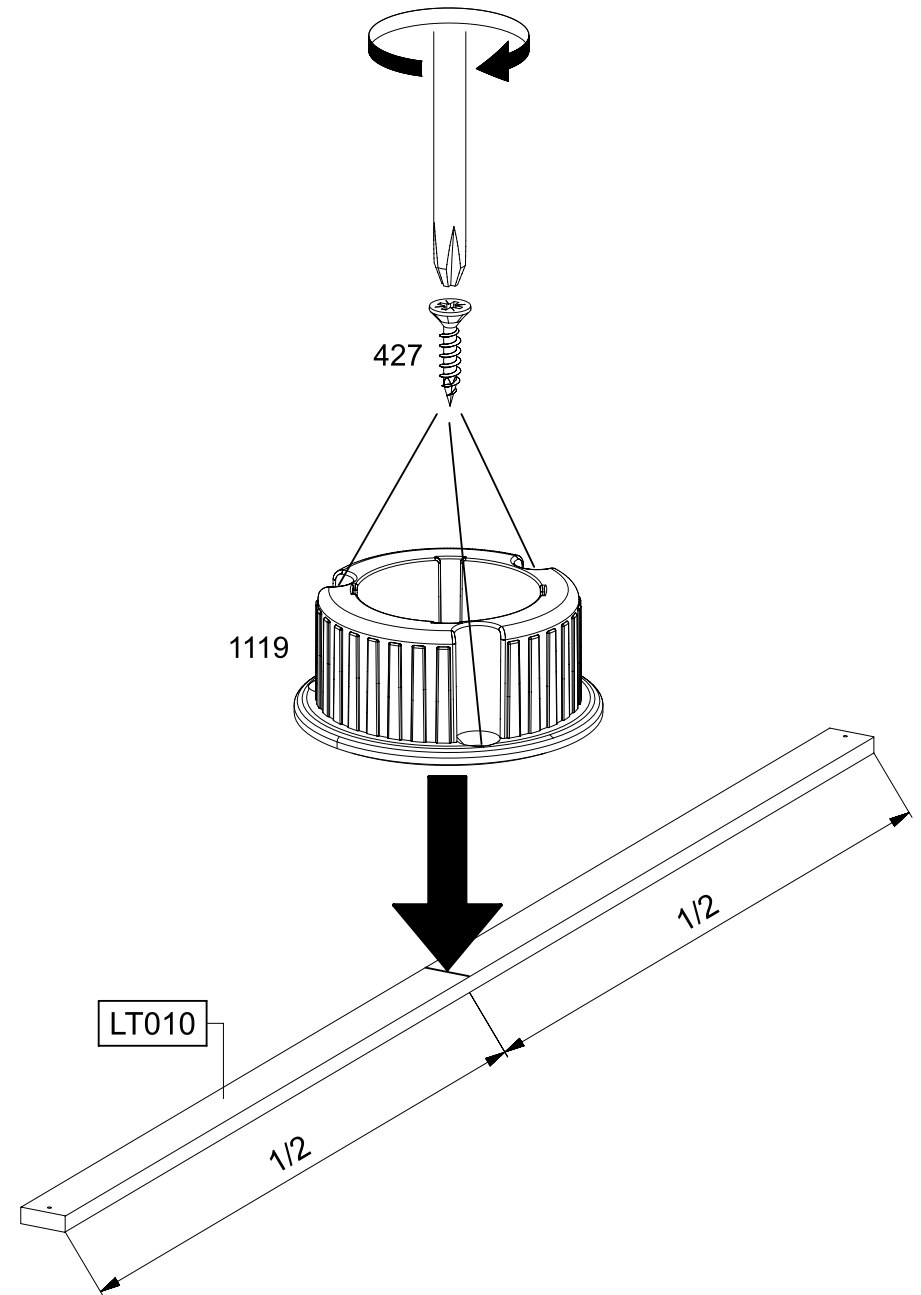
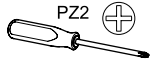
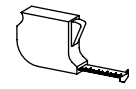
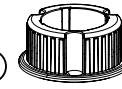
1112

20

3x 427



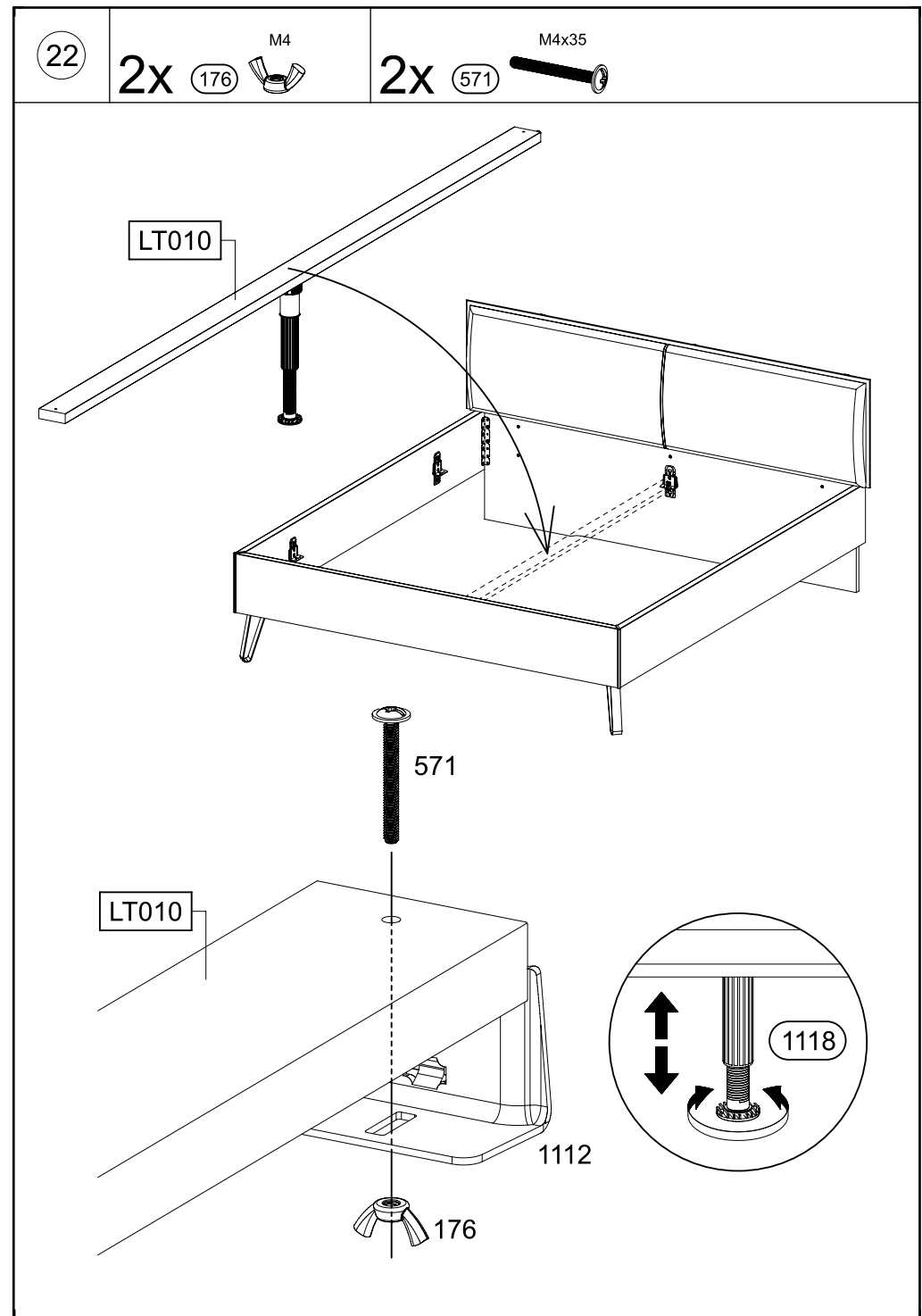
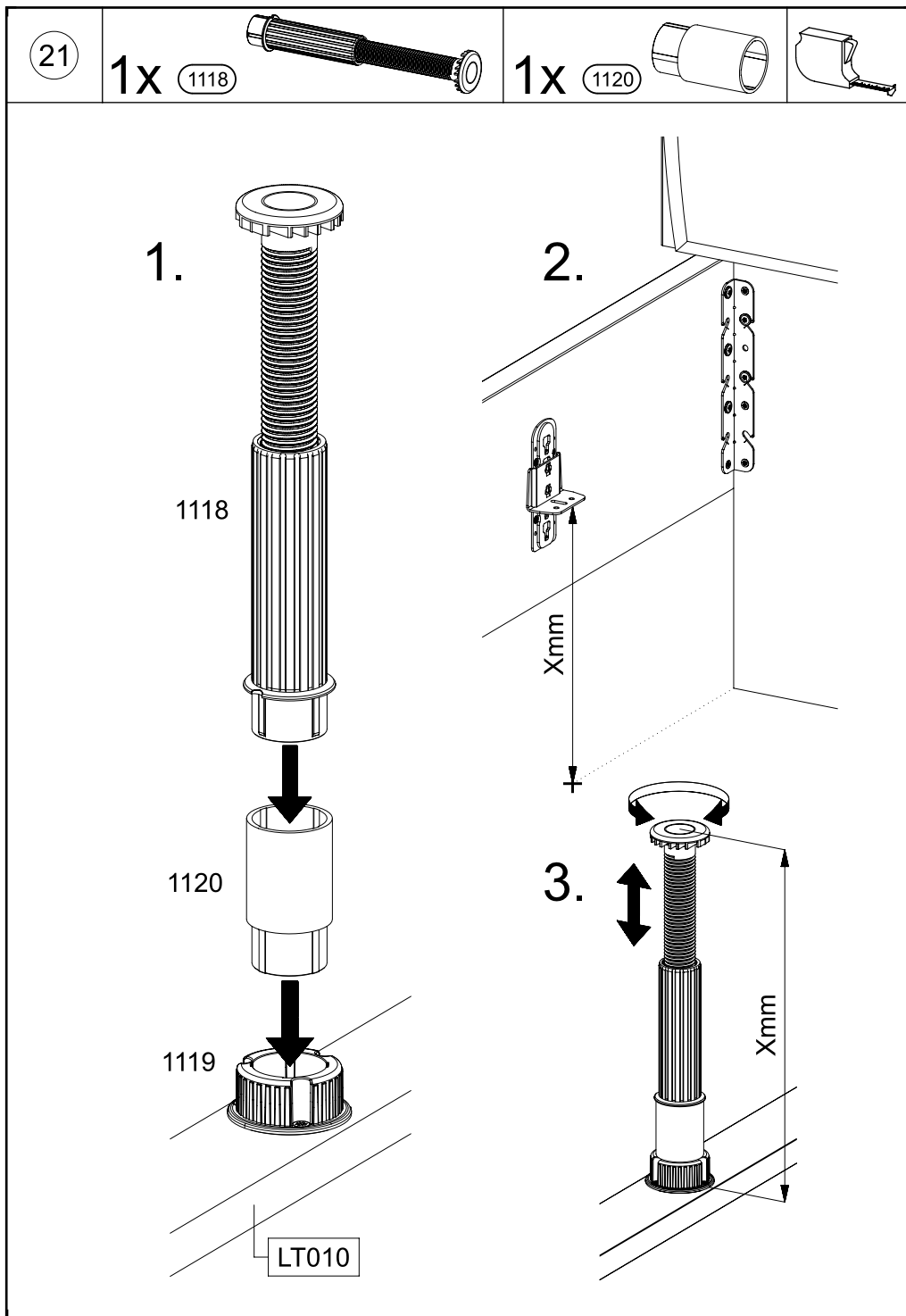
1x 1119



LT010

1/2

1/2

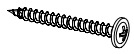


23

4x

525

4x40



4x

581

10/5x22



PZ2

