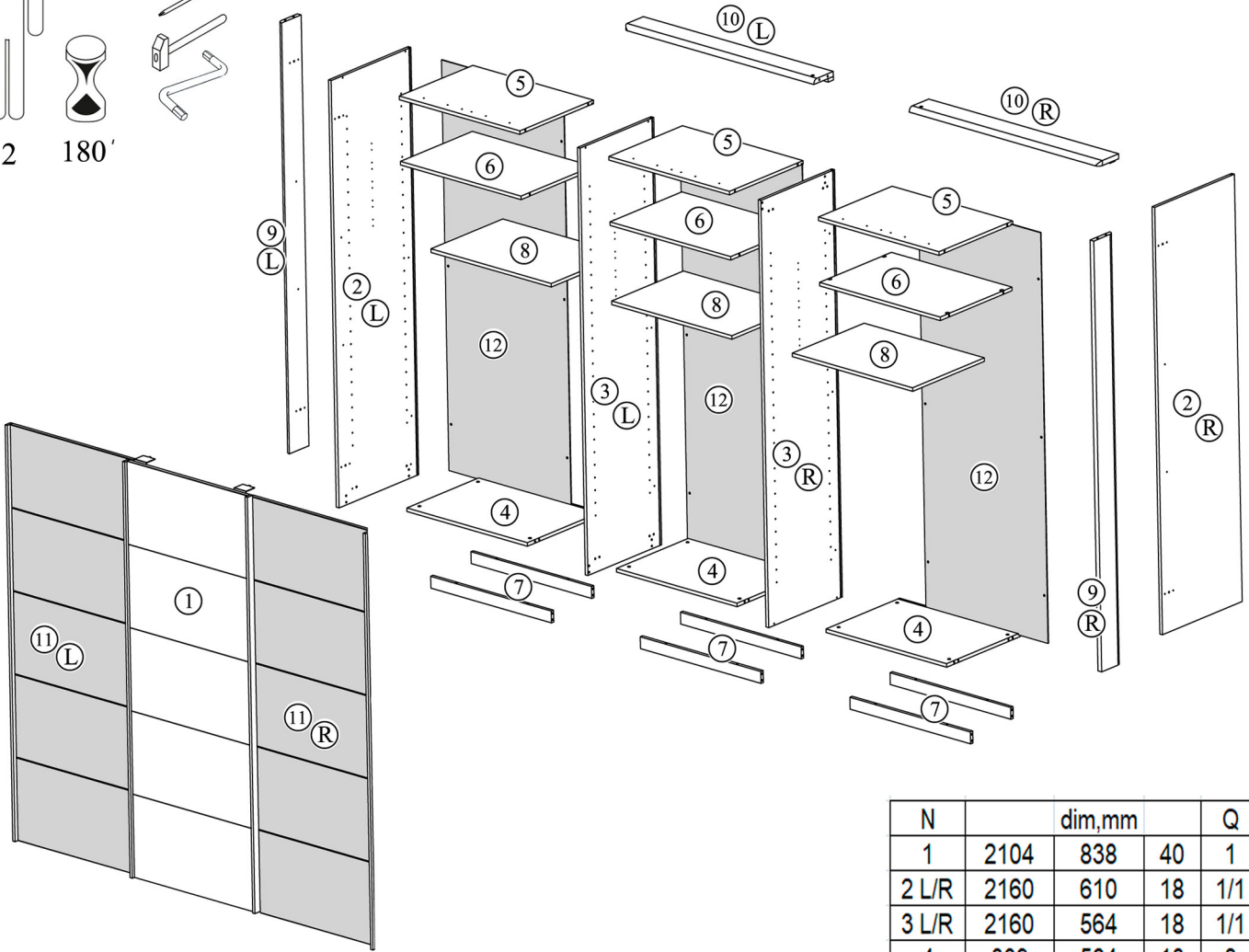
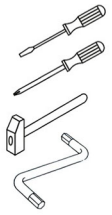
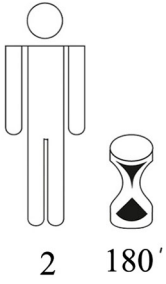
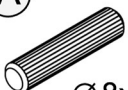


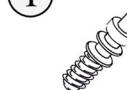

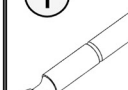










# Monteray

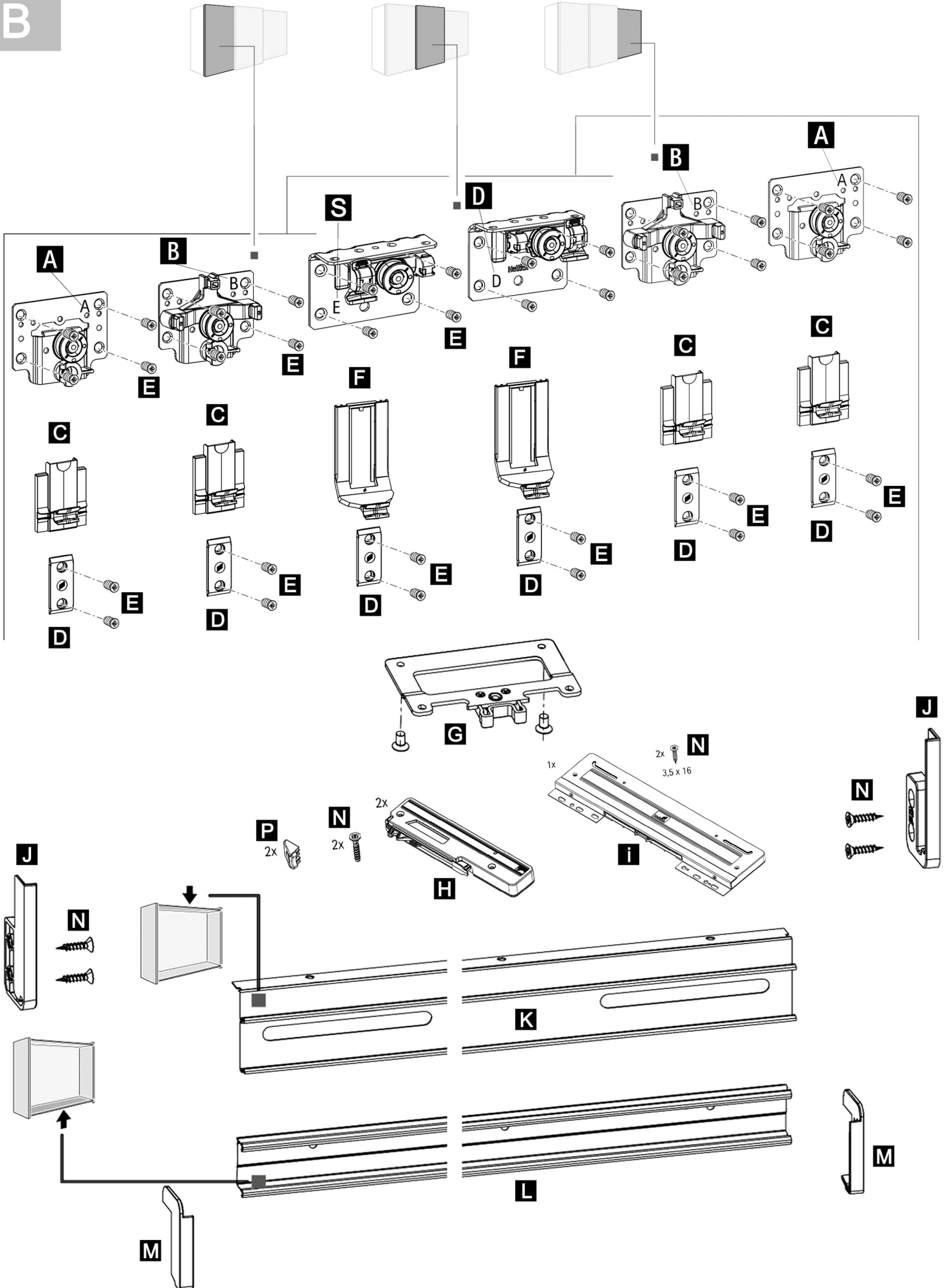


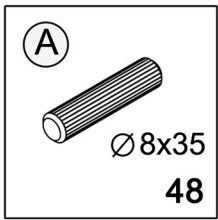
N	dim,mm		Q	P
1	2104	838	40	1
2 L/R	2160	610	18	1/1
3 L/R	2160	564	18	1/1
4	809	564	18	3
5	809	564	18	3
6	809	550	18	3
7	809	60	18	6
8	807	550	18	3
9 L/R	2178	150	25	1/1
10 L/R	1275	150	25	1/1
11 L/R	2104	838	40	1/1
12	2076	819	4	3
B				11

A

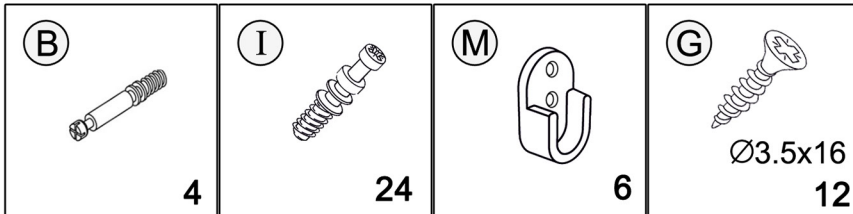
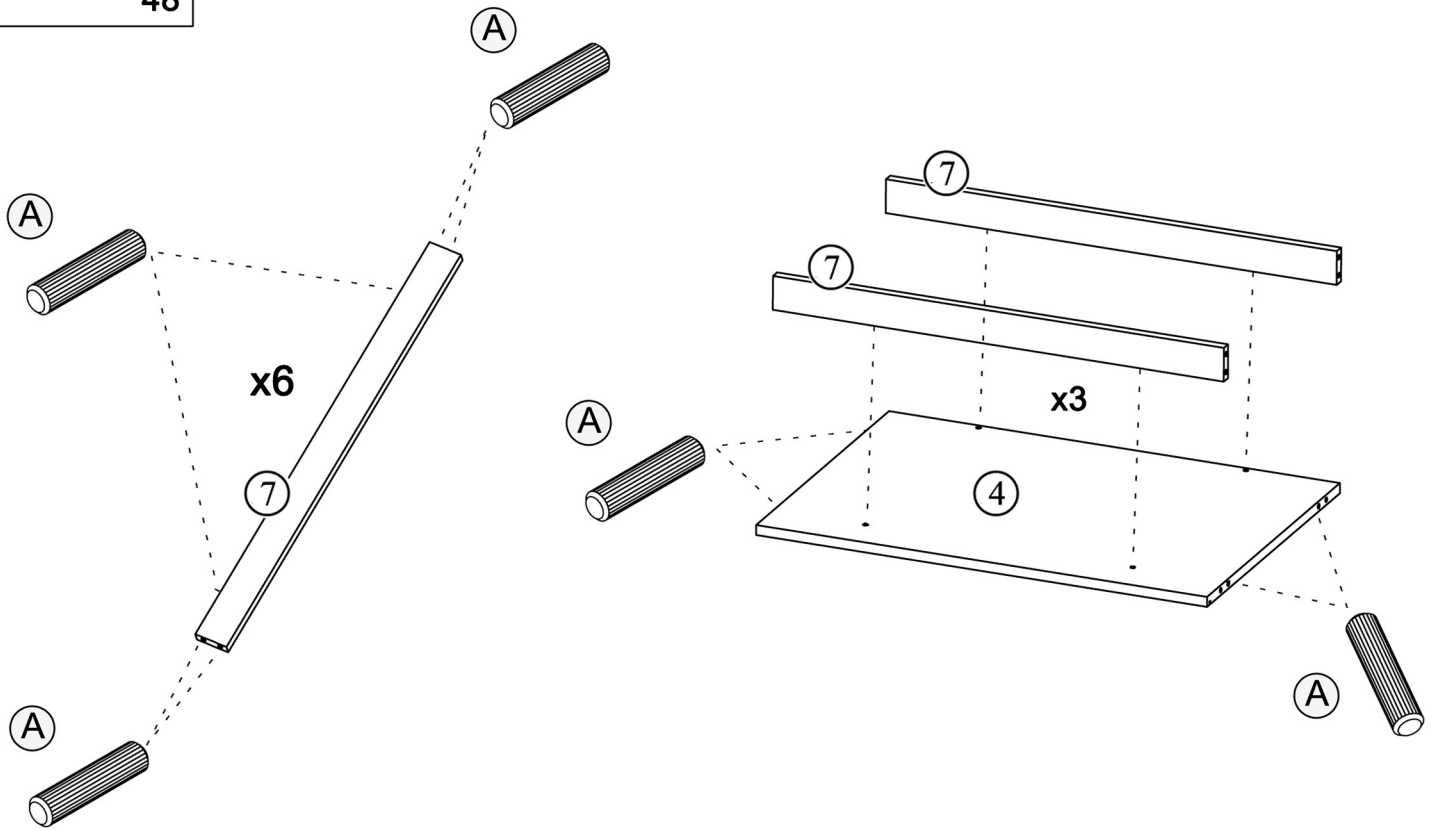
<b>A</b>  Ø8x35 57	<b>B</b>  4	<b>C</b>  14	<b>I</b>  24	<b>V</b>  3	<b>T</b>  5	<b>G</b>  Ø3.5x16 16
<b>H</b>  Ø4x35 18	<b>L</b>  18	<b>K</b>  12	<b>F</b>  Ø5x10.5 18	<b>Q</b>  2	<b>X</b>  2	<b>M</b>  6

**B**

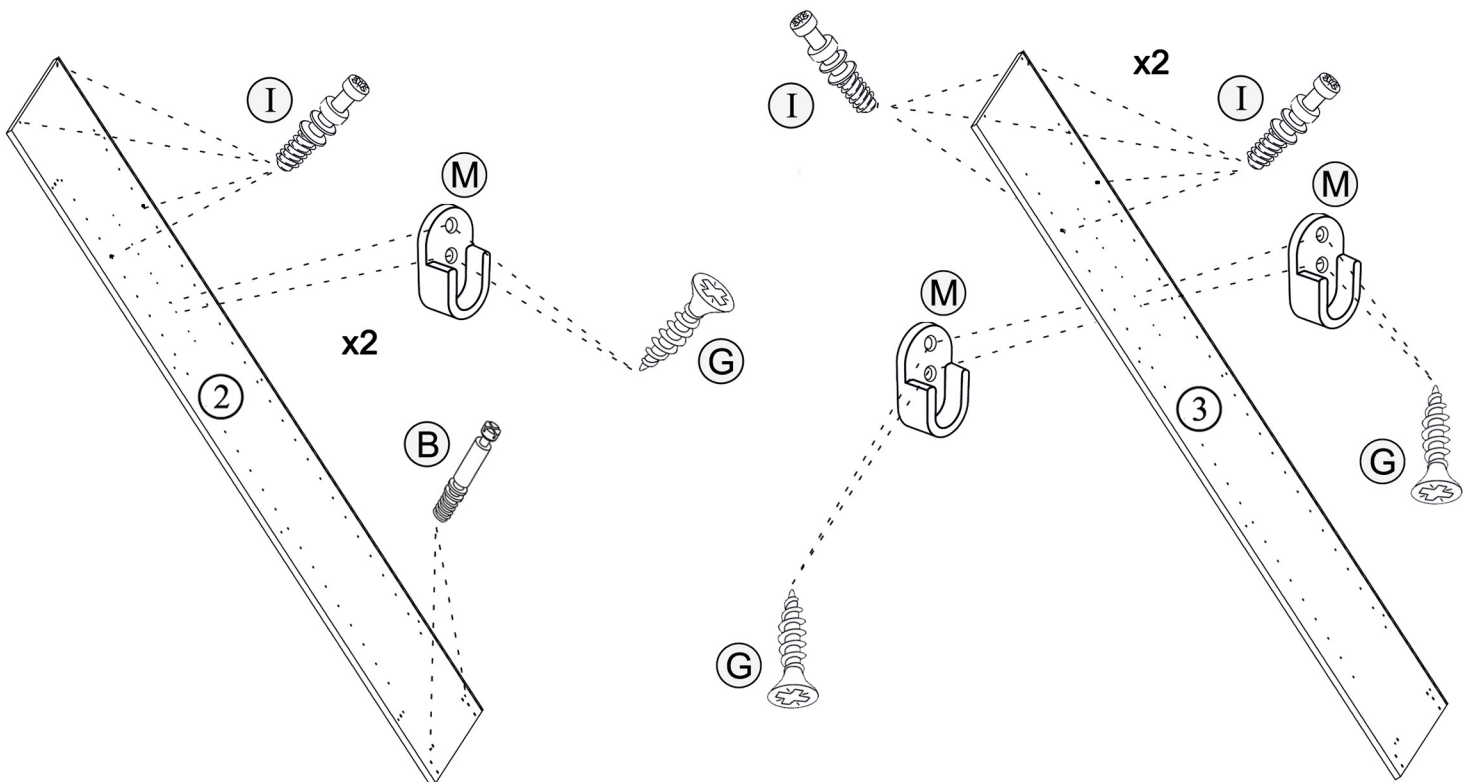


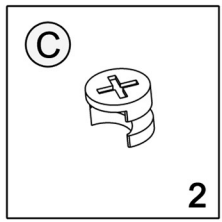


1

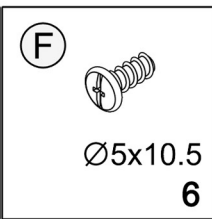
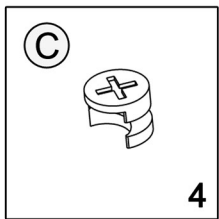
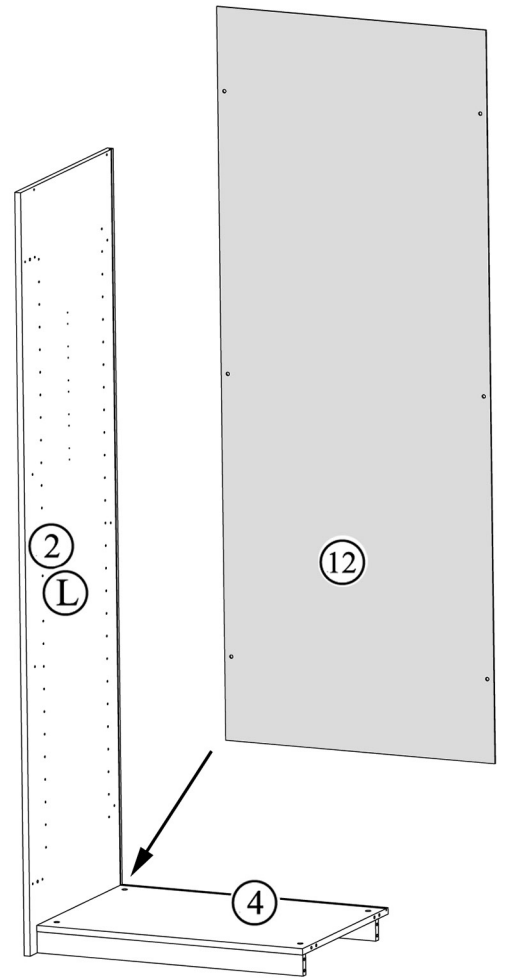
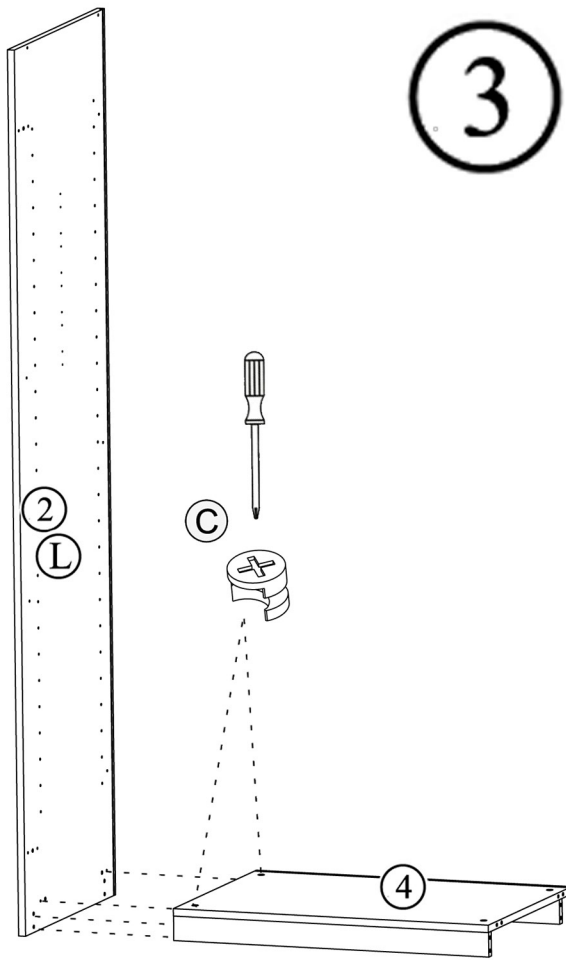


2

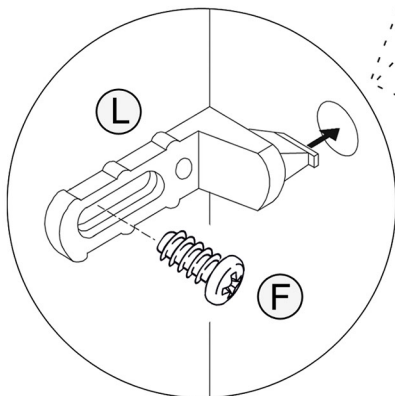
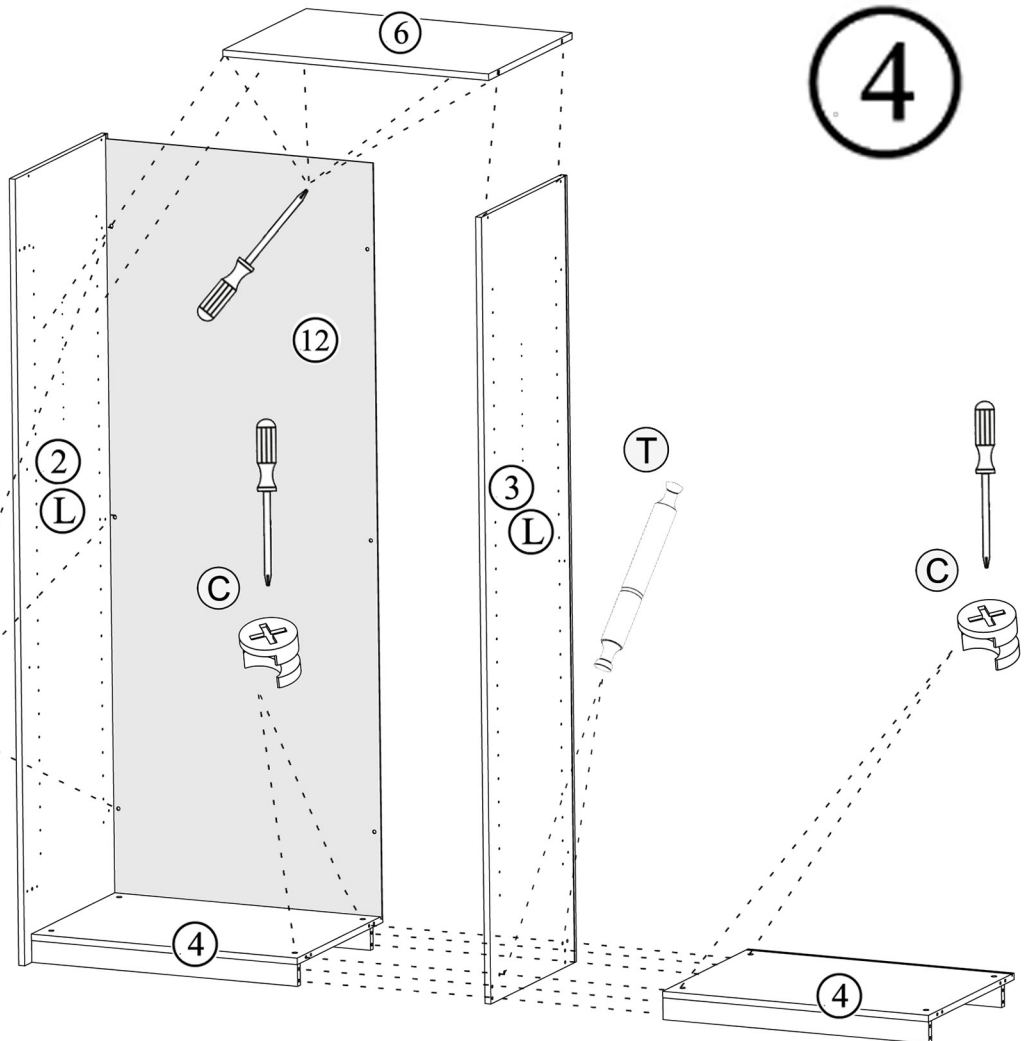
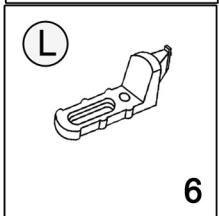
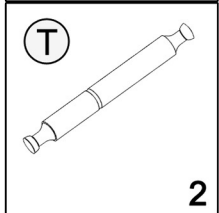




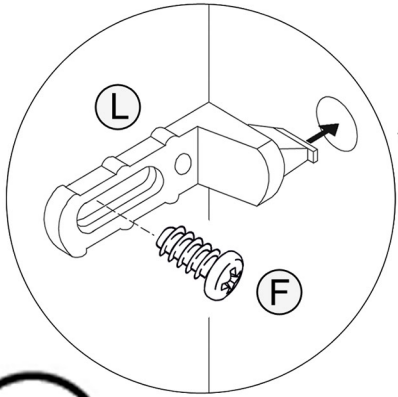
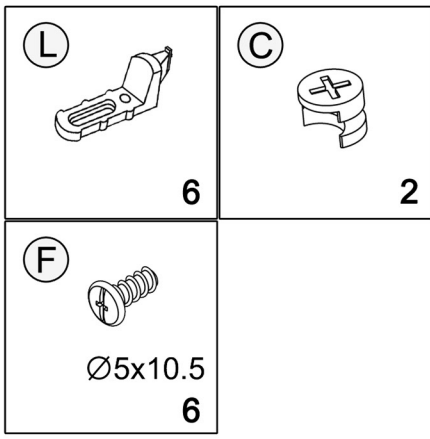
3



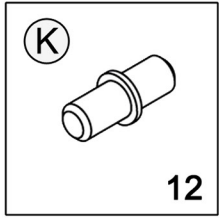
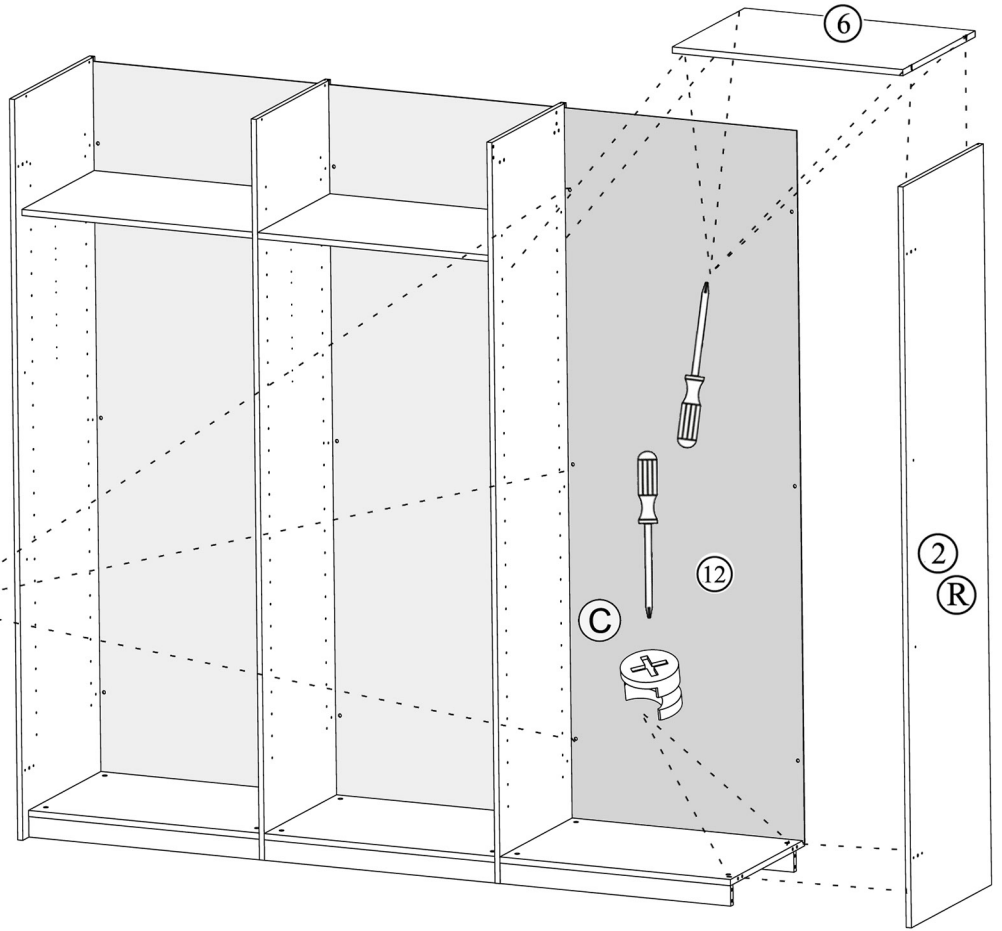
4



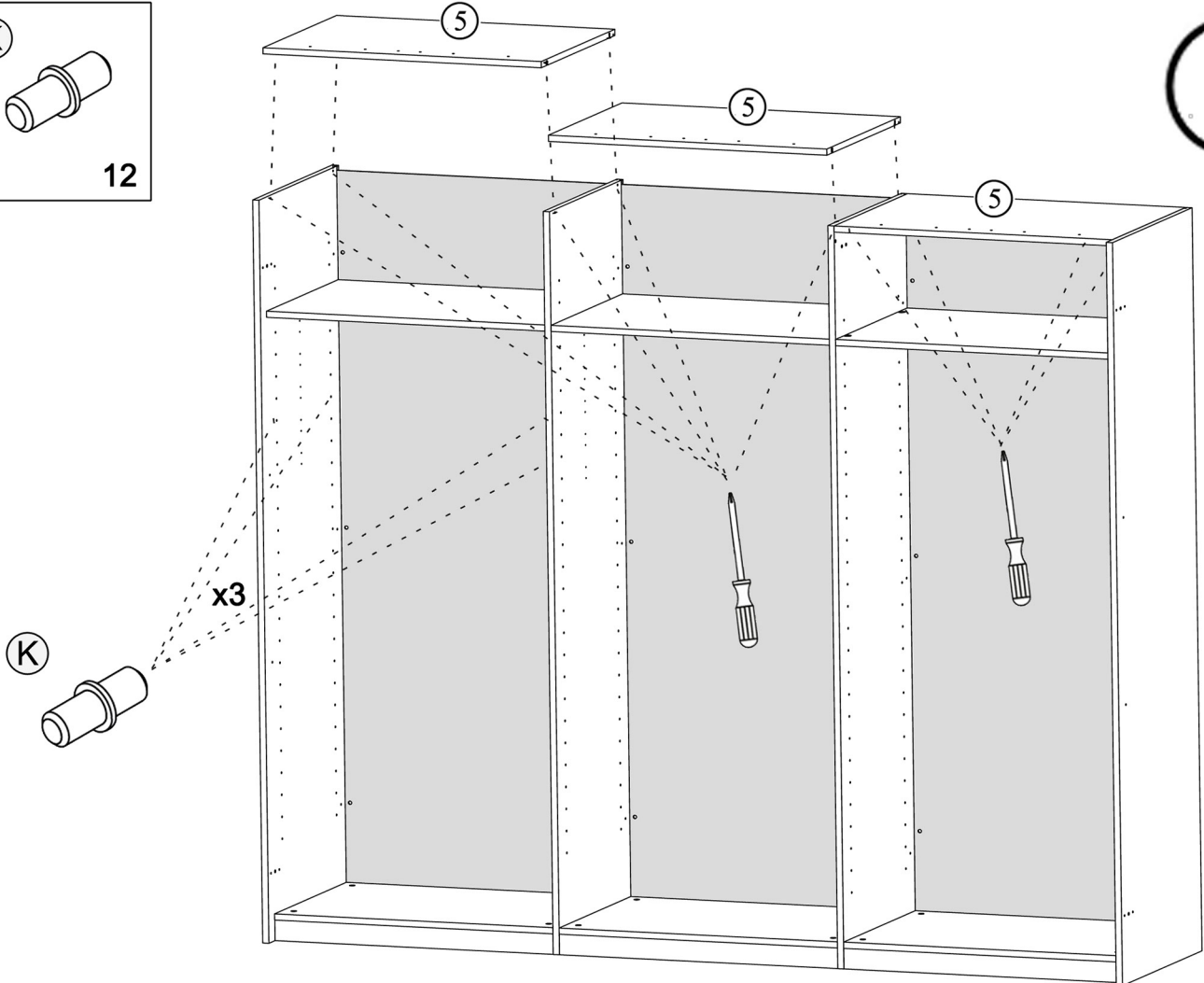




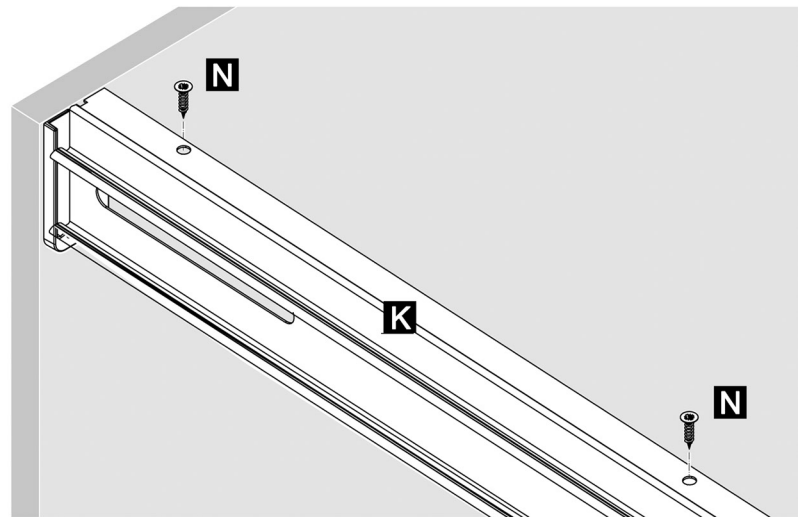
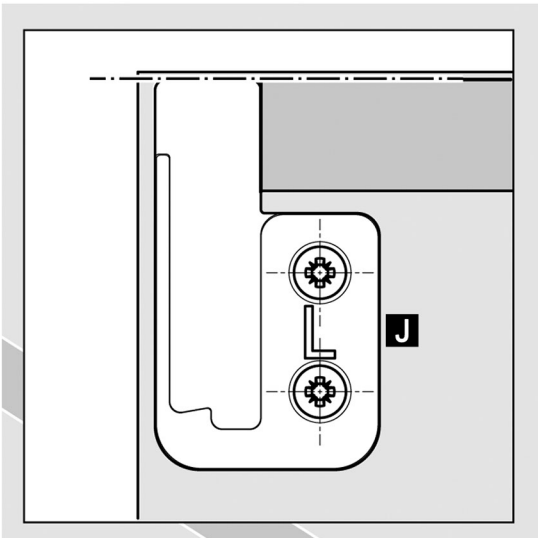
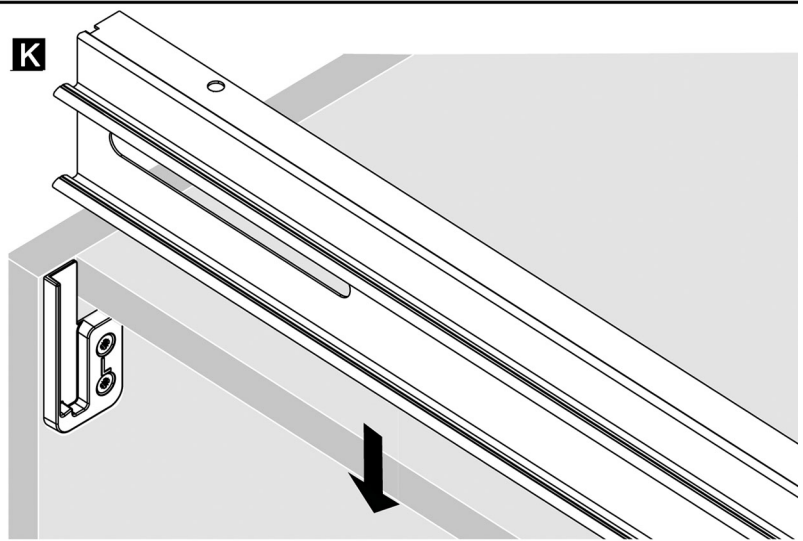
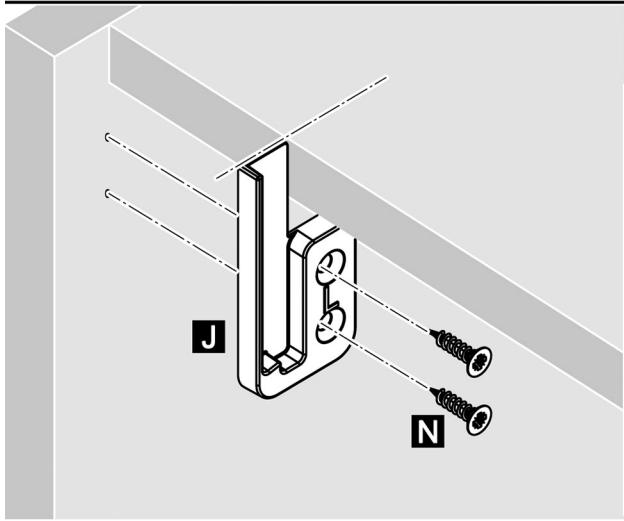
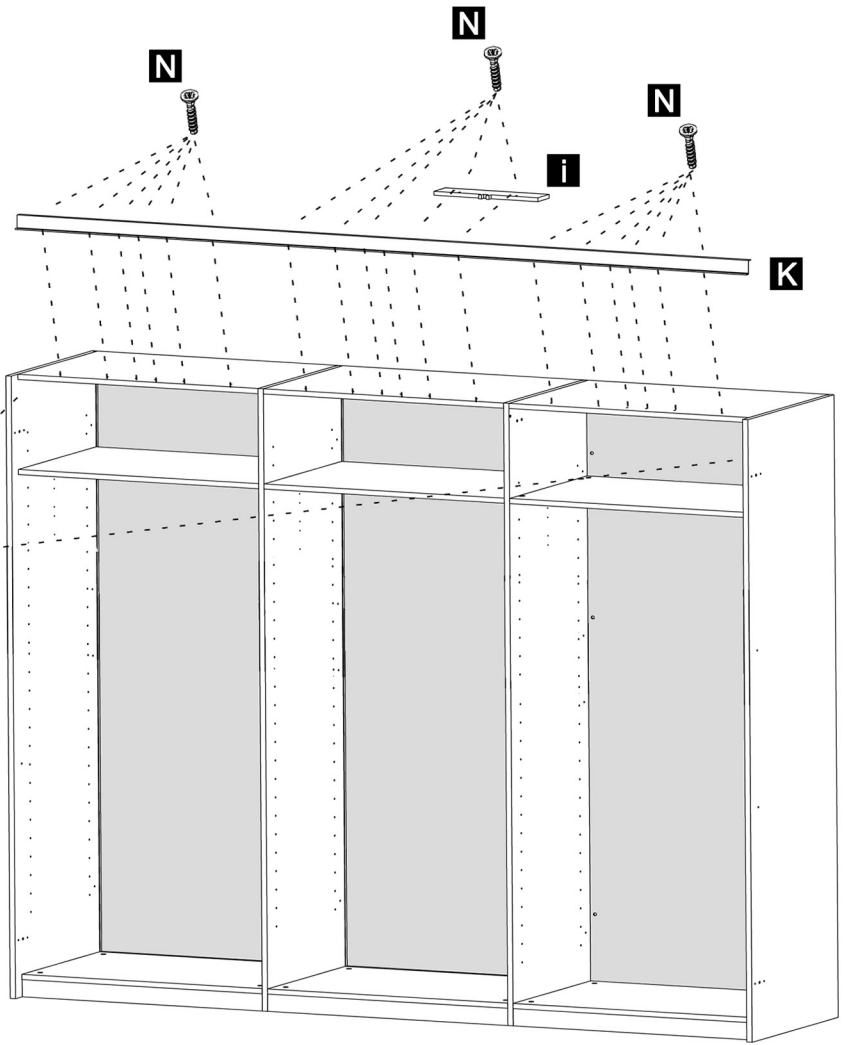
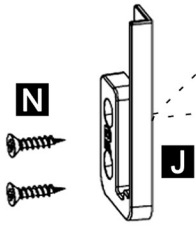
7

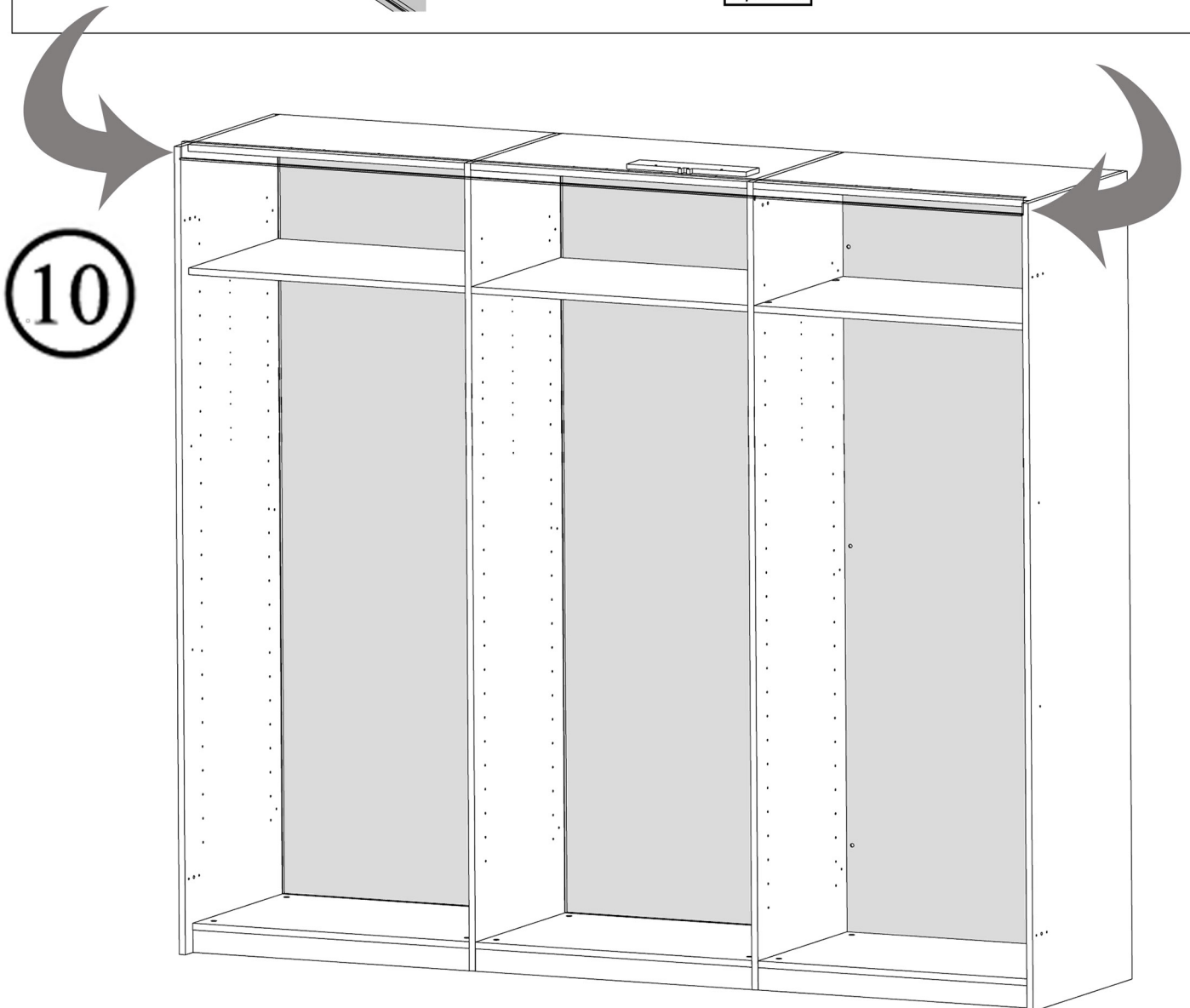
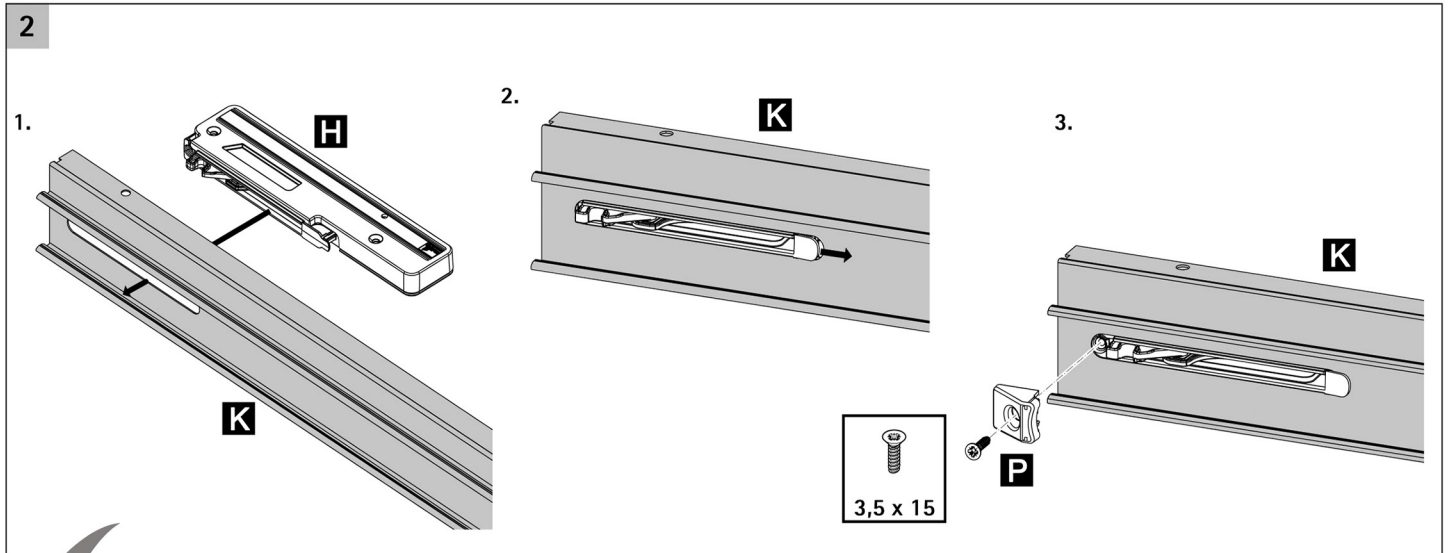
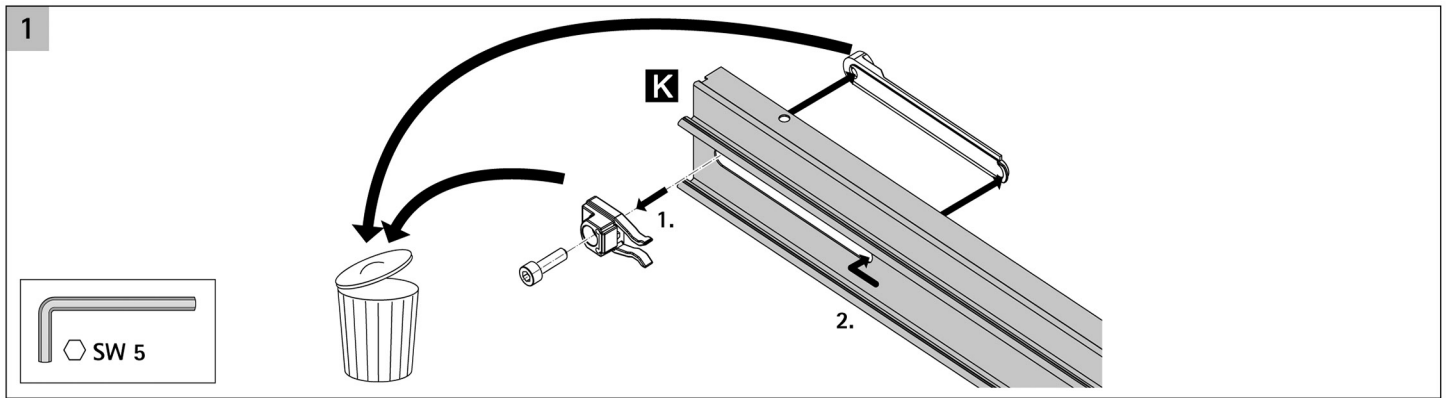


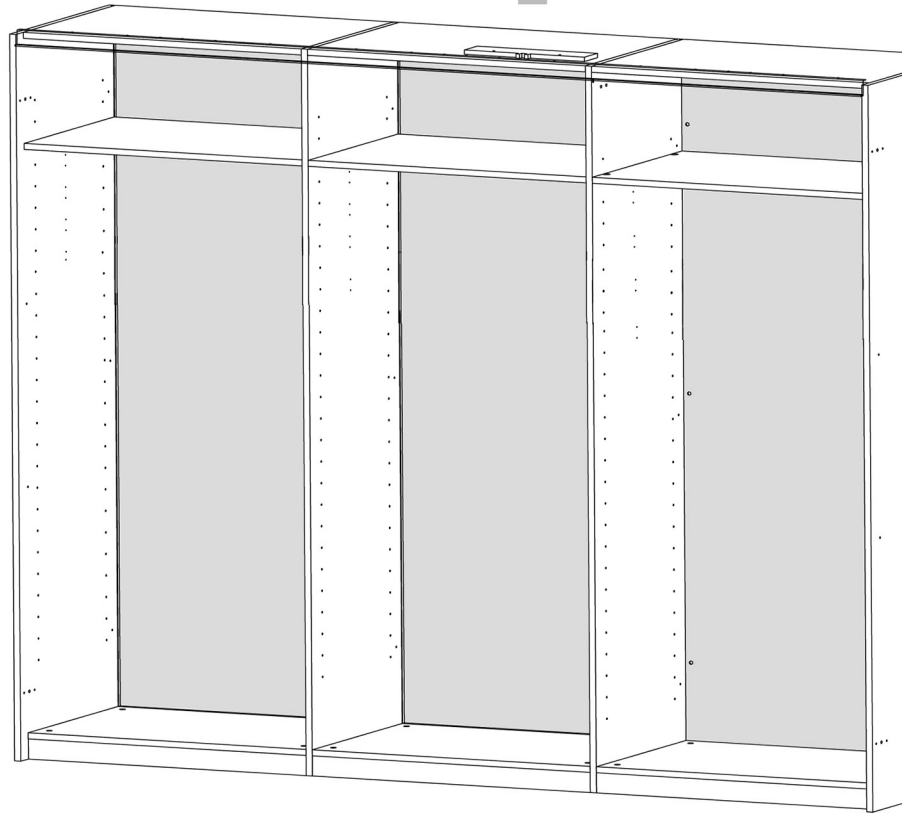
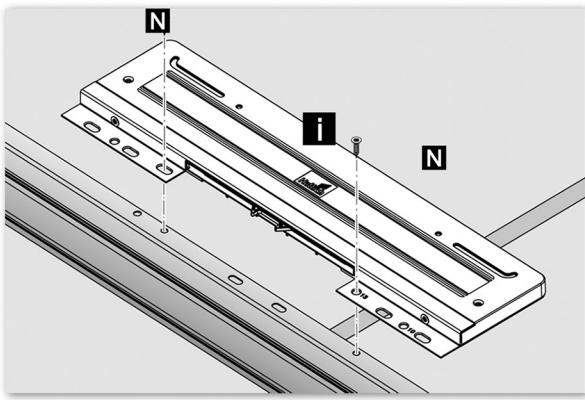
8



9

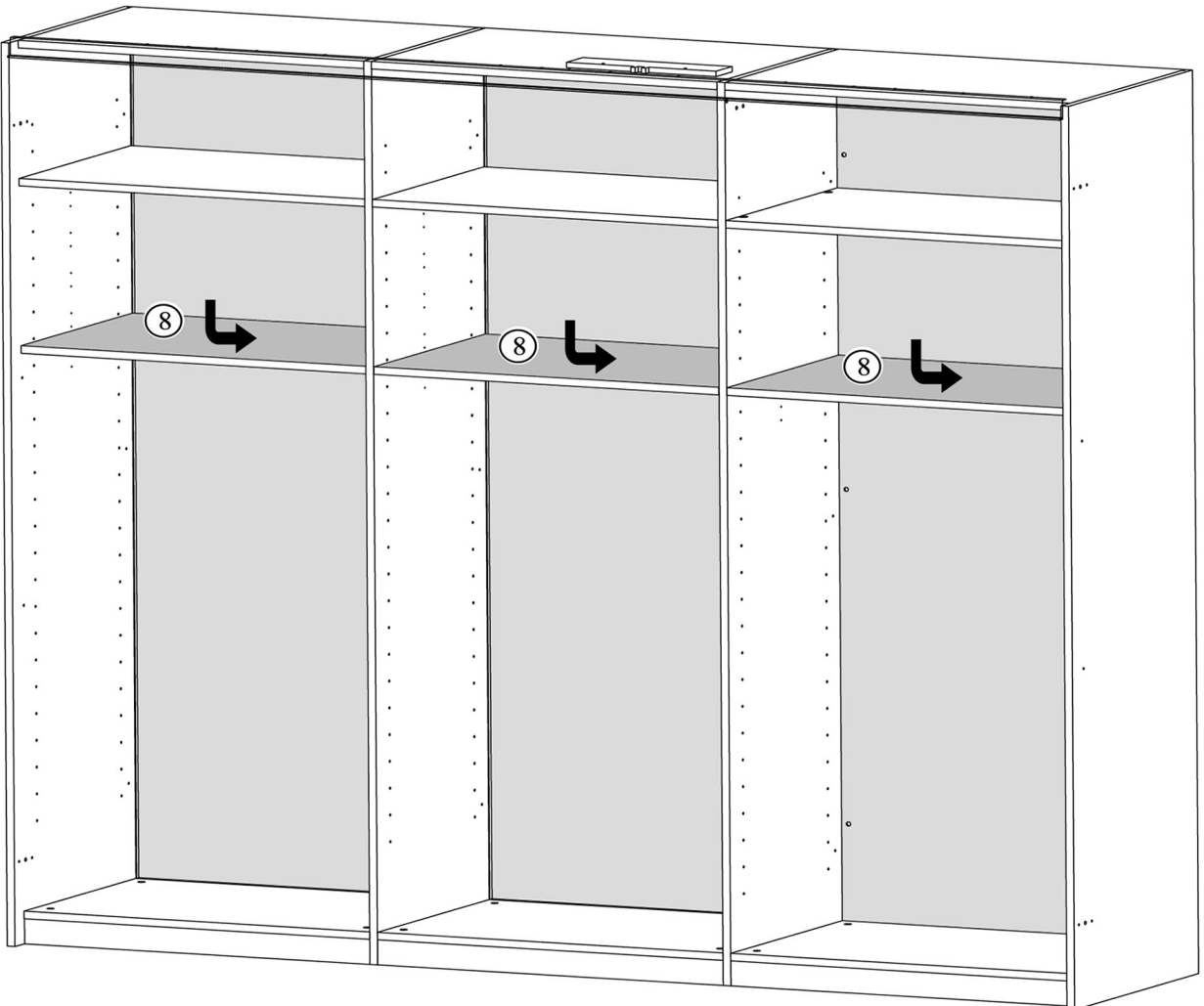


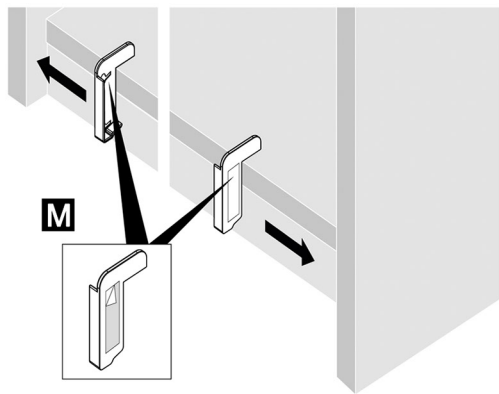




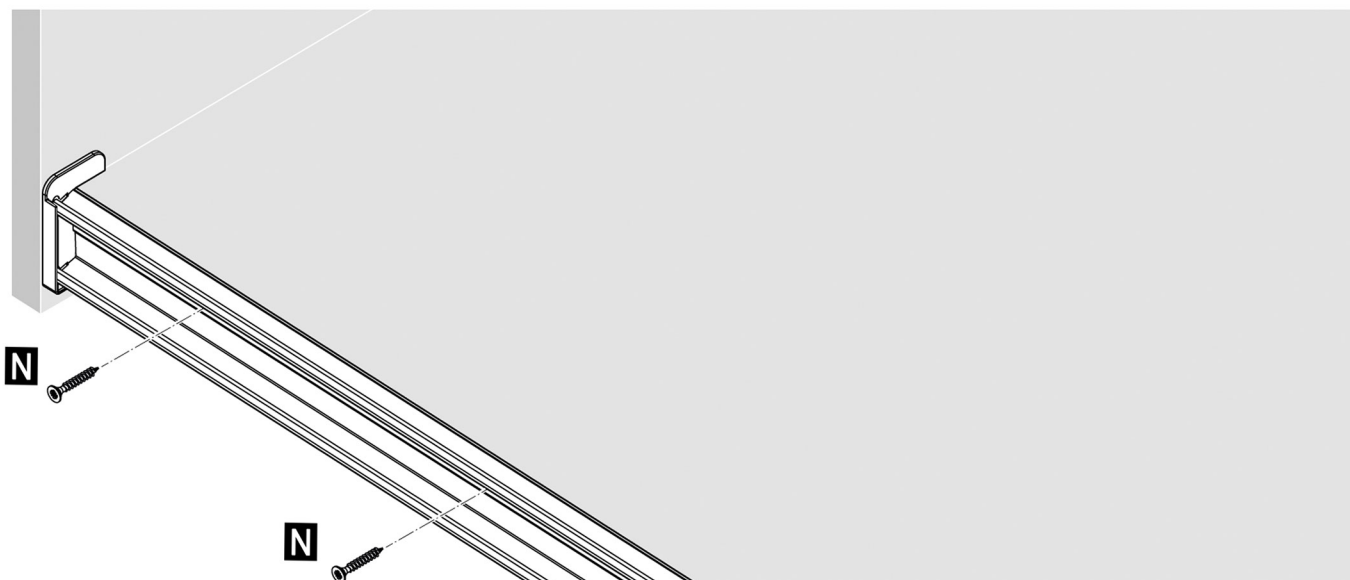
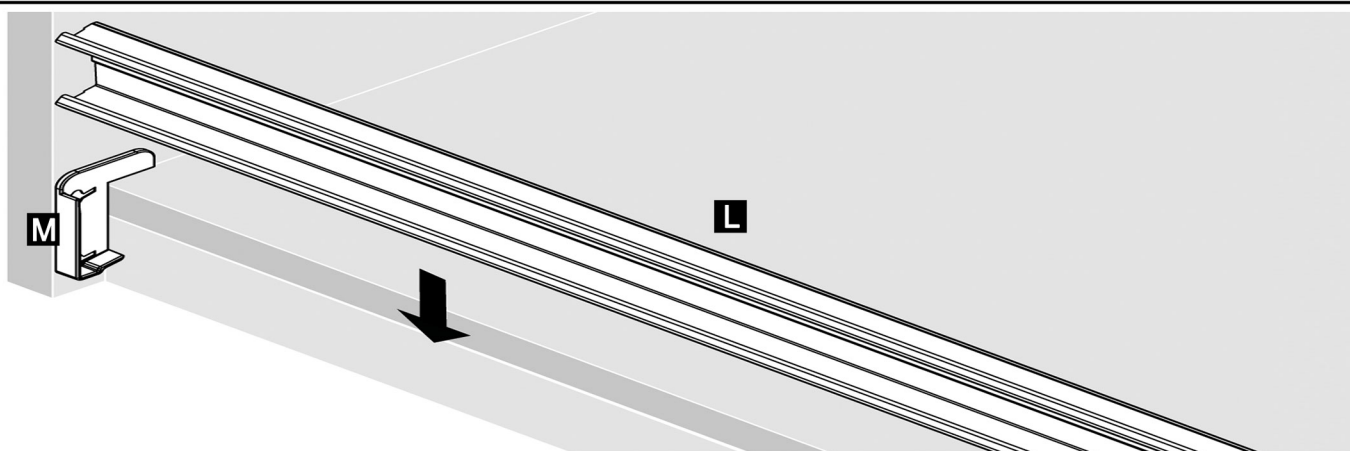
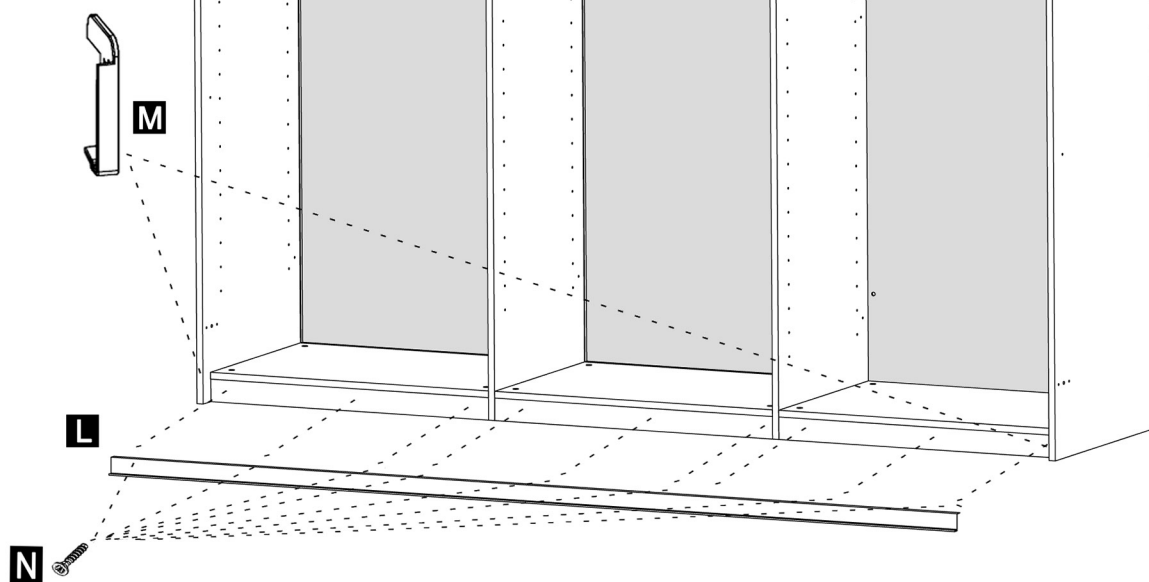
11

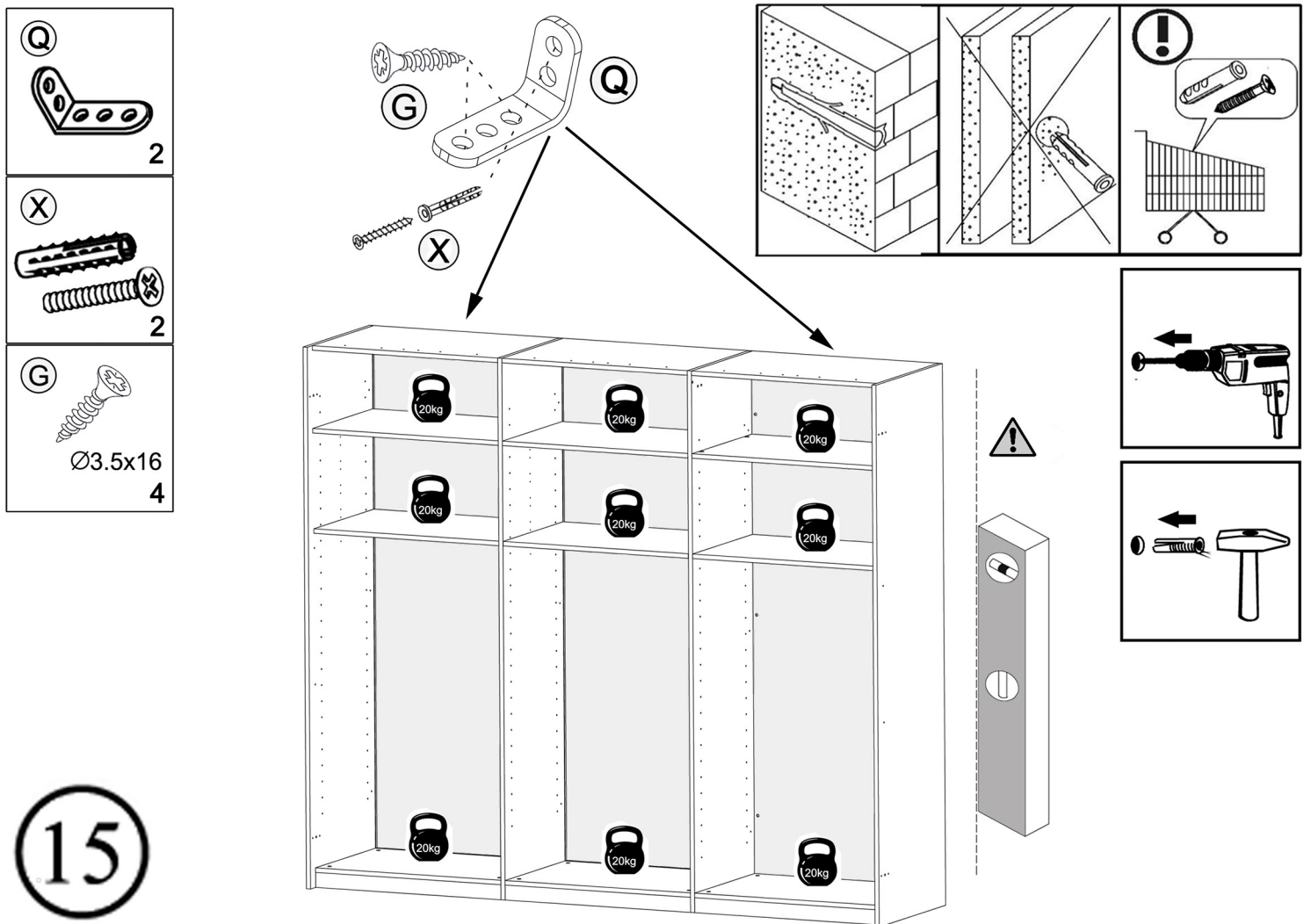
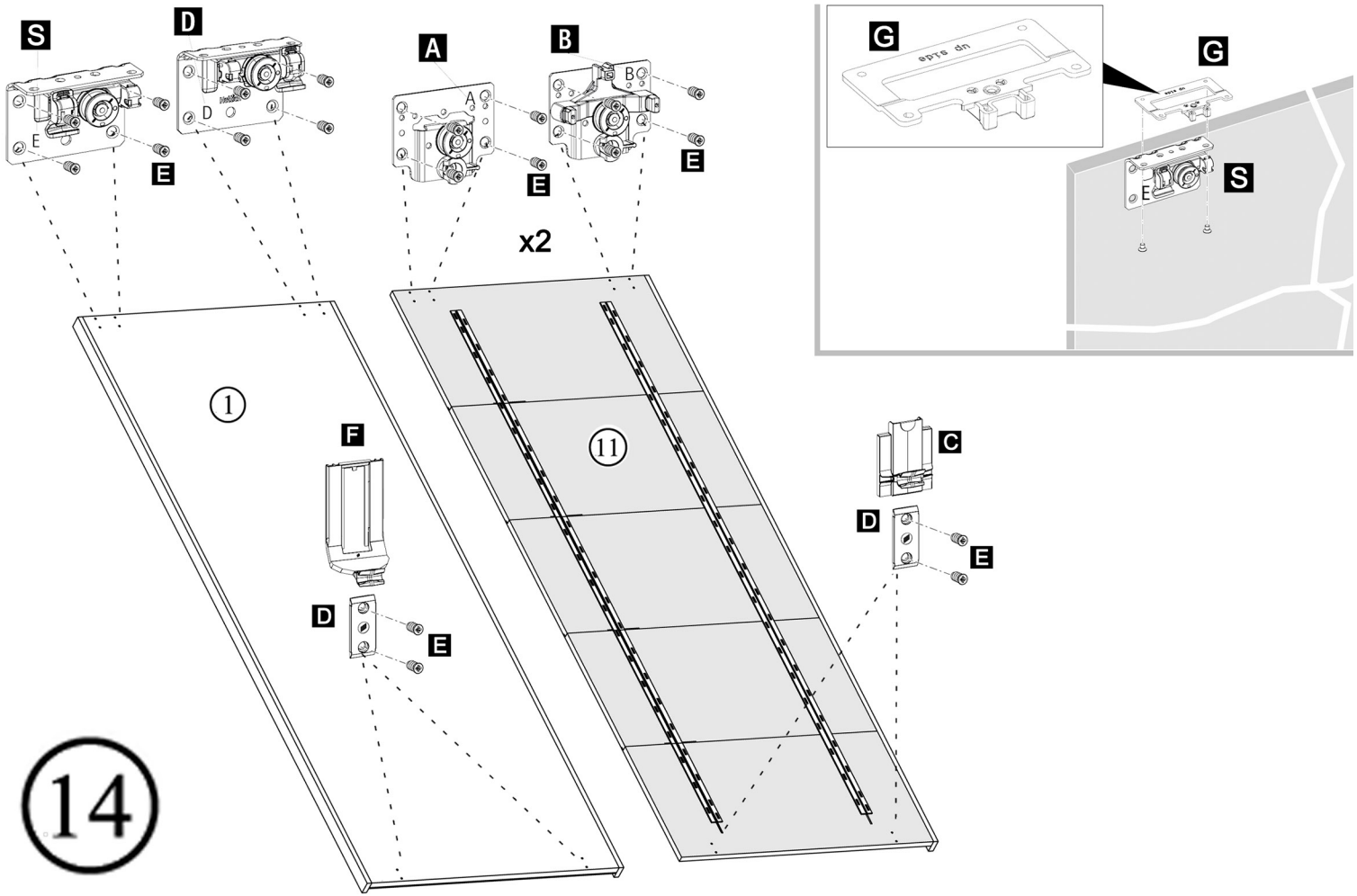
12



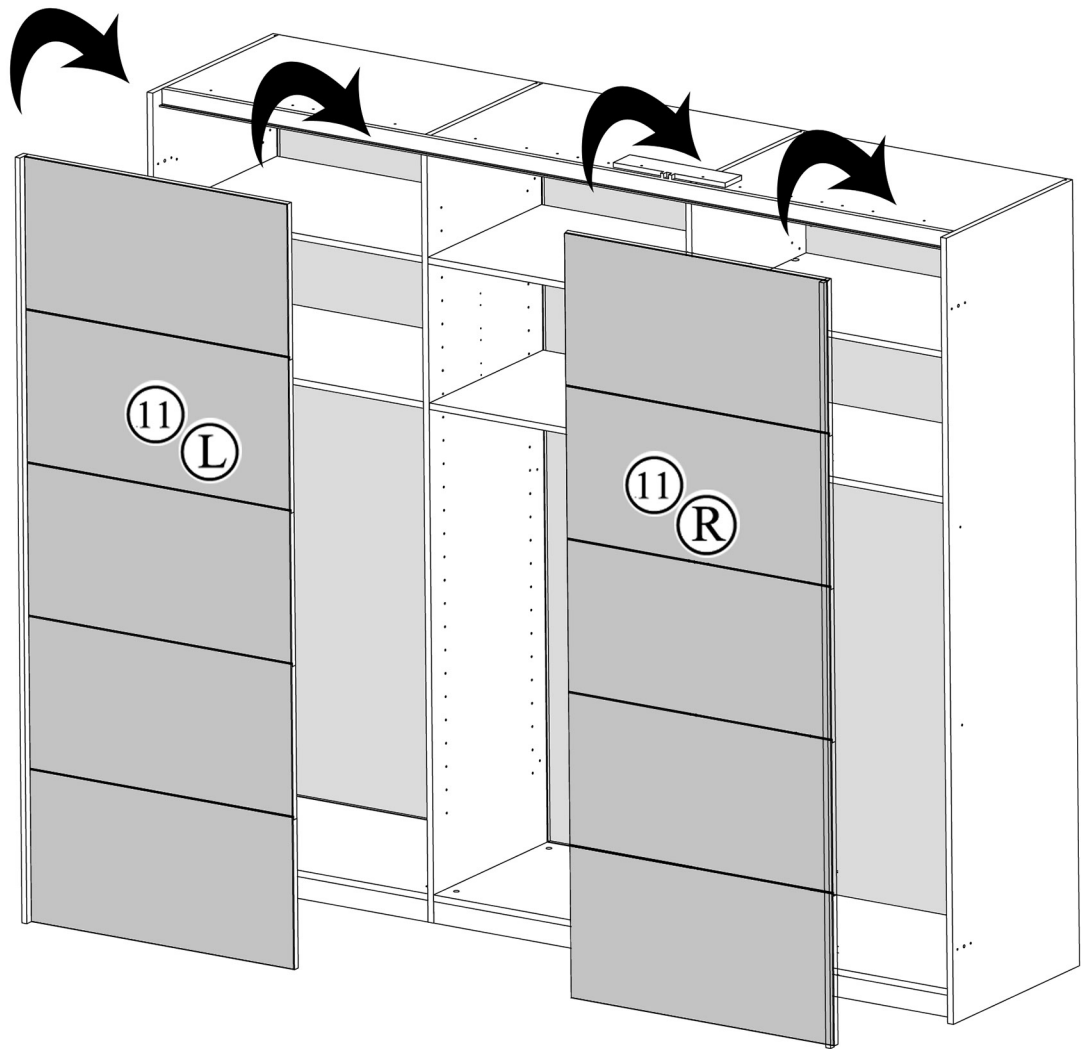


13

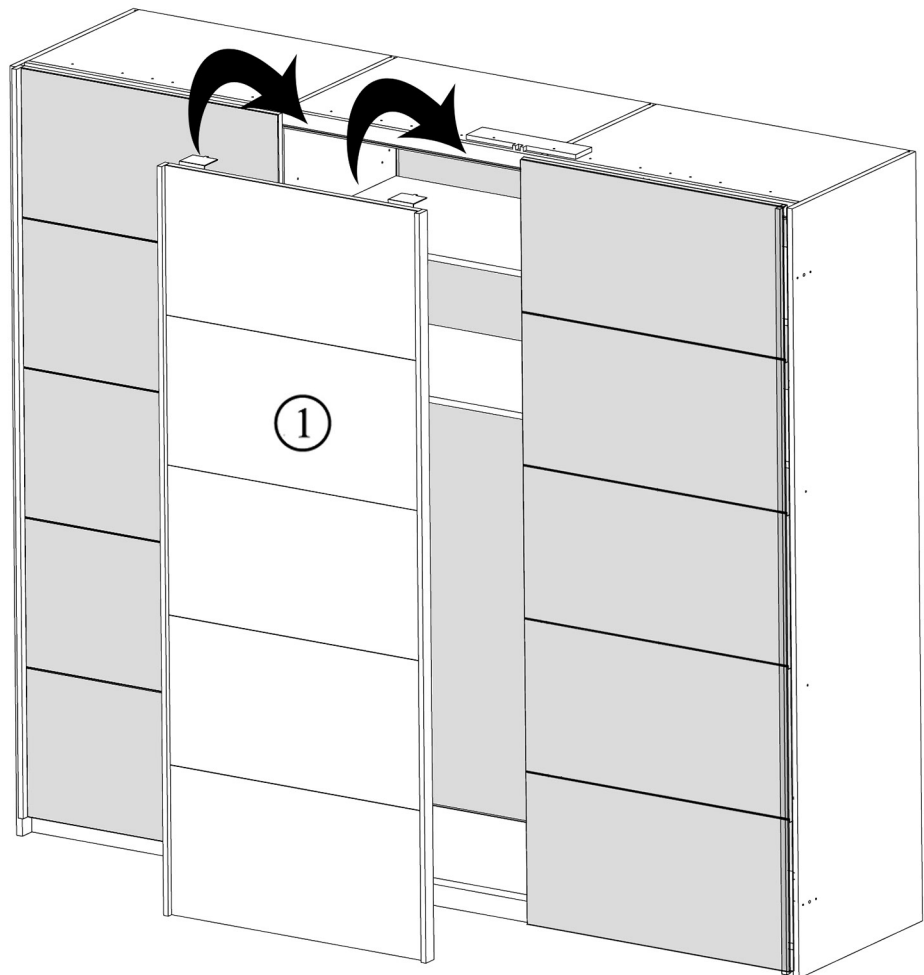




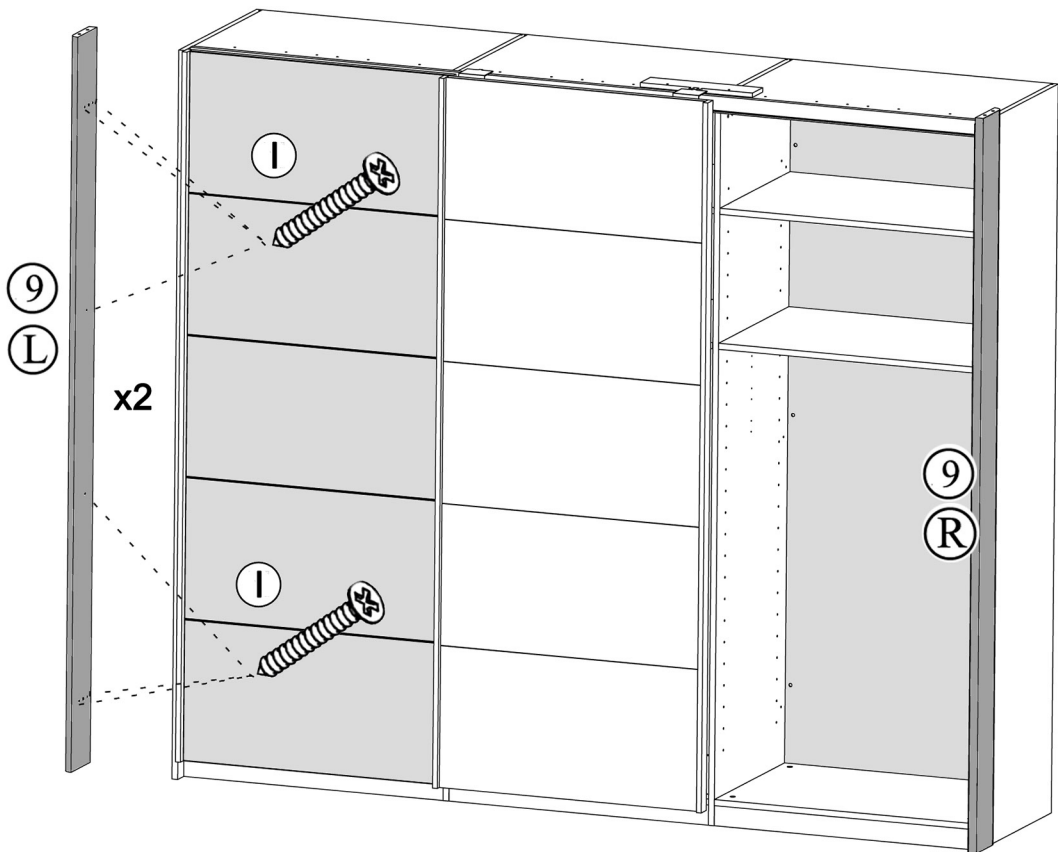
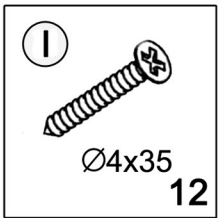
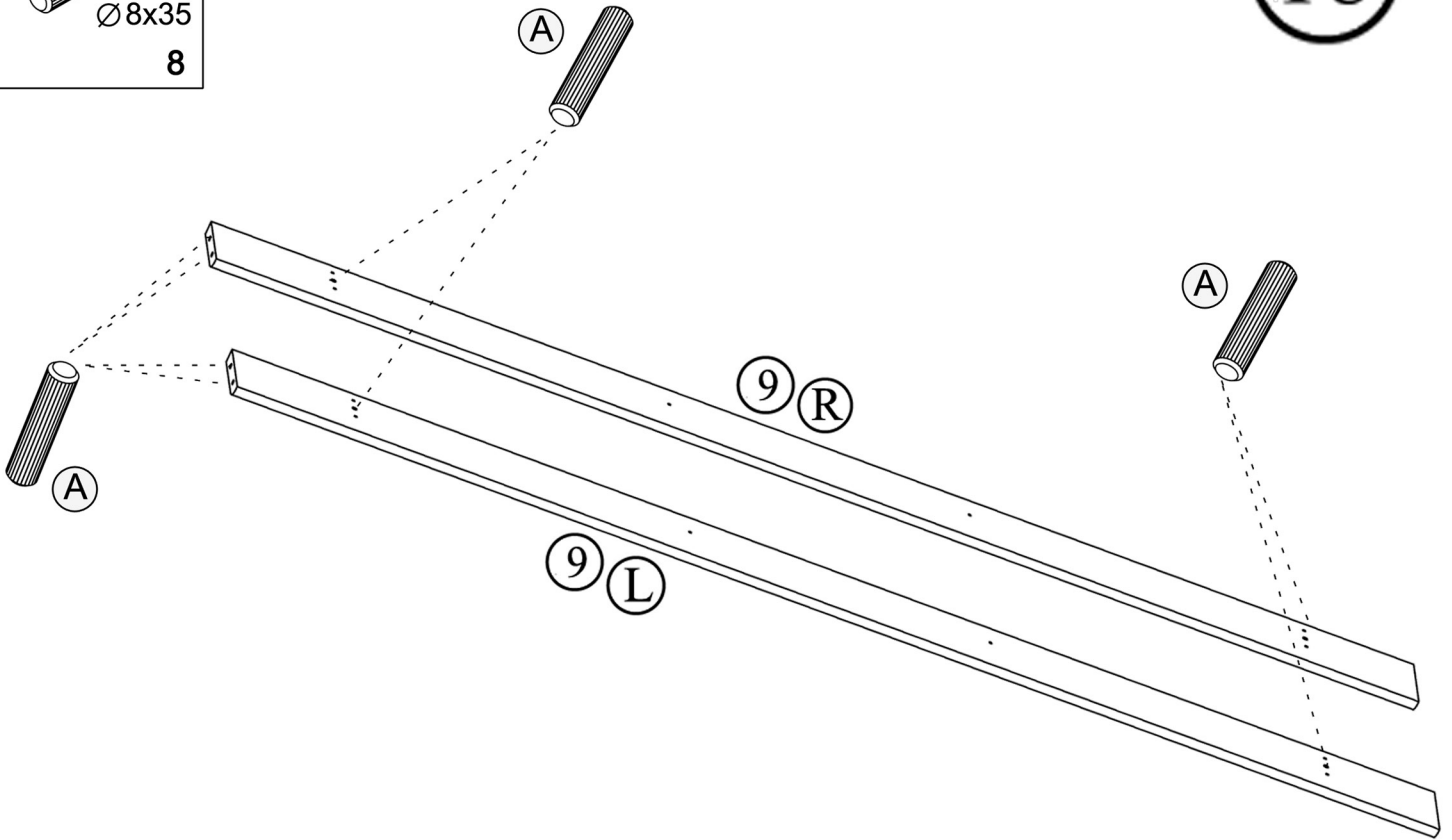
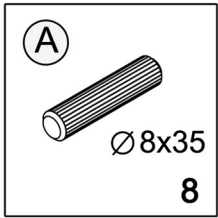
16



17



18



19

