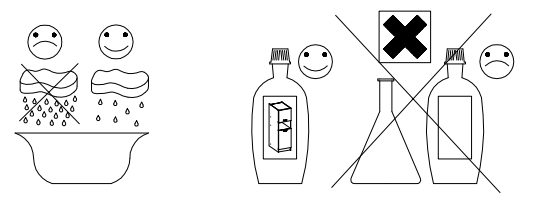
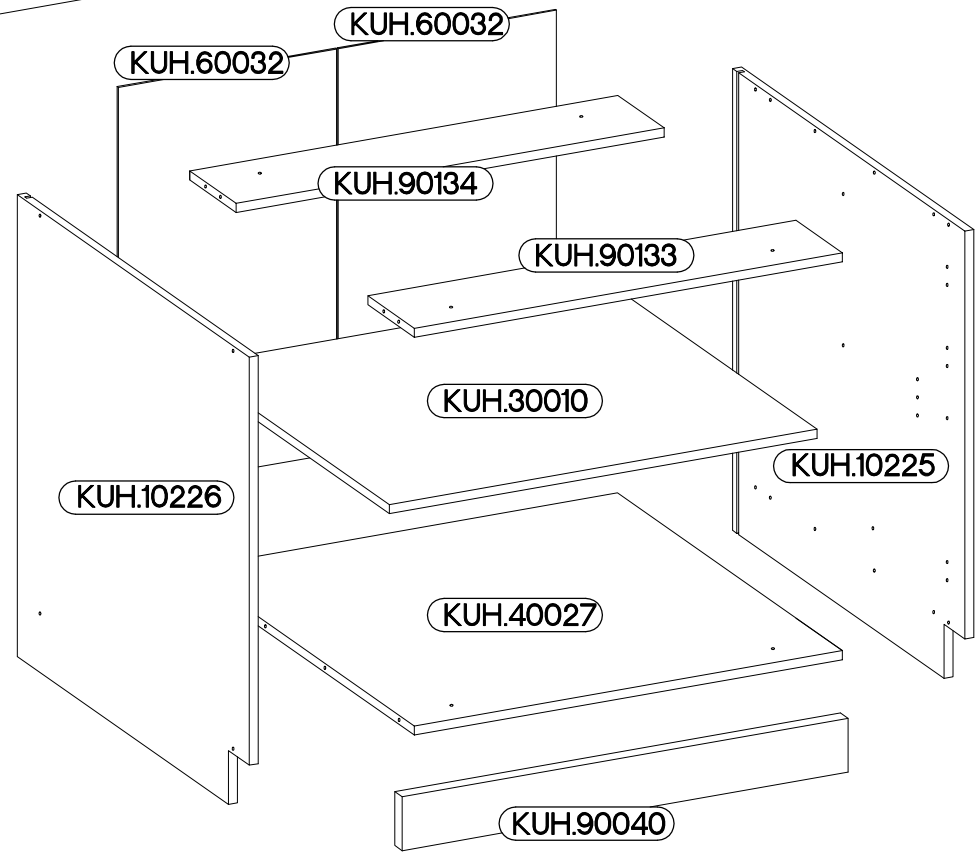
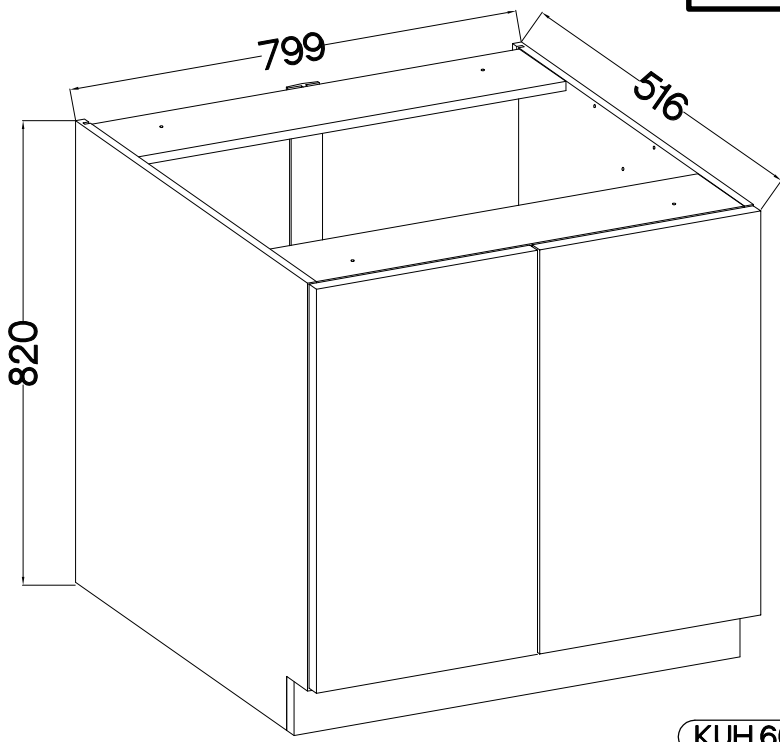
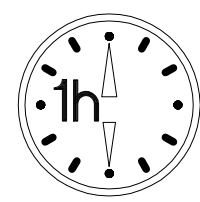


80 D 2F BB

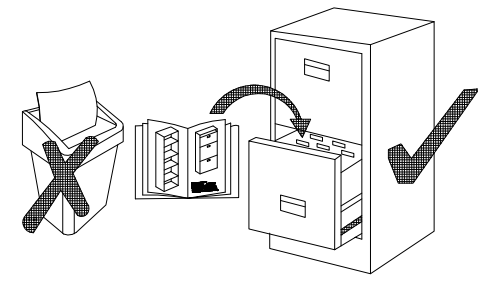


KUH.30010  
KUH.40027

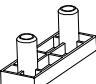
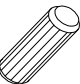


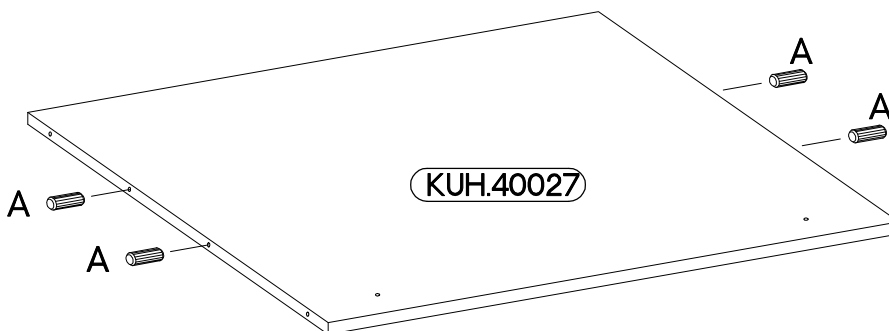
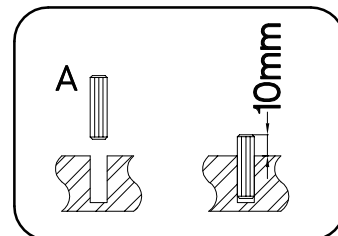
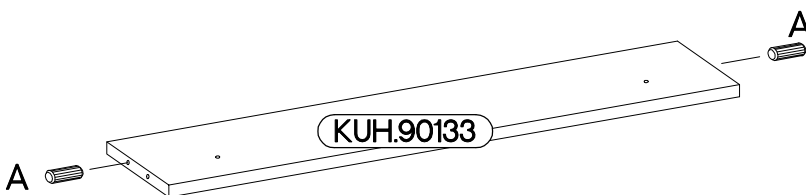
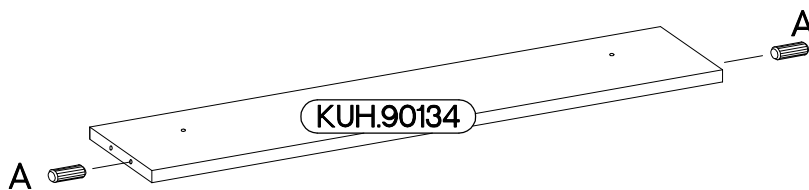
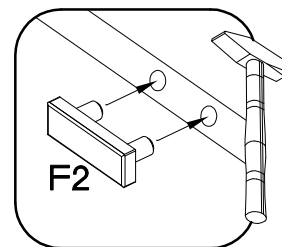
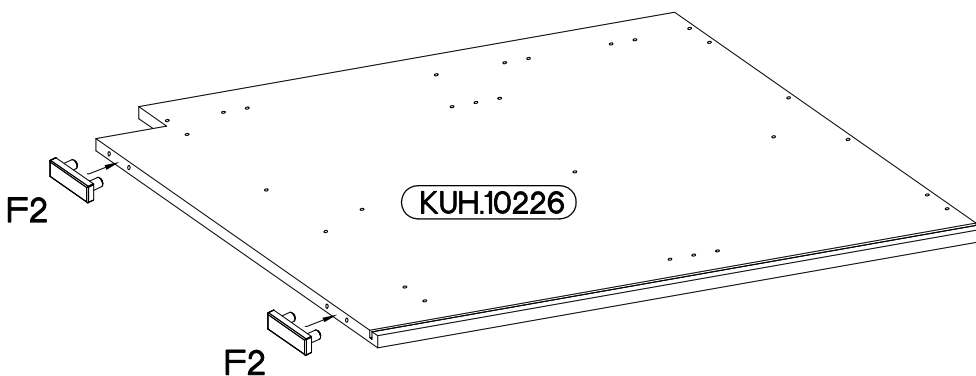
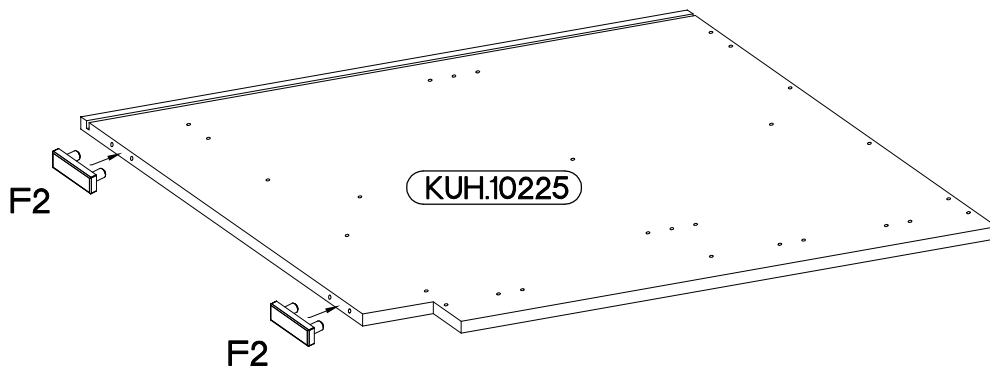
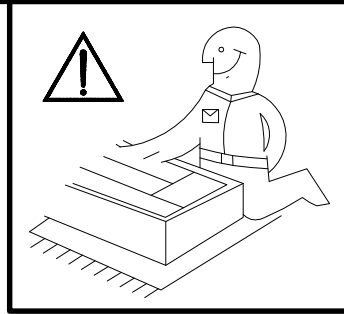
Ersatzteil Nummer	Dimension
KUH.10225	815x500x16
KUH.10226	815x500x16
KUH.30010	766x430x16
KUH.40027	767x485x16
KUH.60032 x2	713x391x2,5
KUH.90133	767x100x16
KUH.90134	767x100x16
KUH.90040	799x95x16

<b>A</b> 8	<b>B</b> 8	<b>E1</b> 8	<b>E9</b> 2	<b>F2</b> 4	<b>HG</b> 4	
<b>J</b> 4	<b>L1</b> 1	<b>O</b> 1	<b>P4</b> 2	<b>P5</b> 8	<b>P7</b> 10-15	<b>R3</b> 4




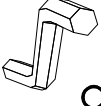

ISM-KUH-01143

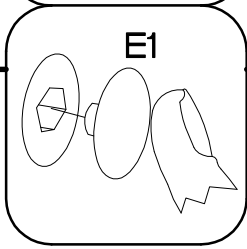
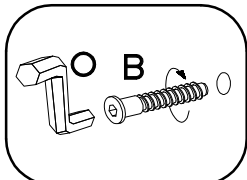
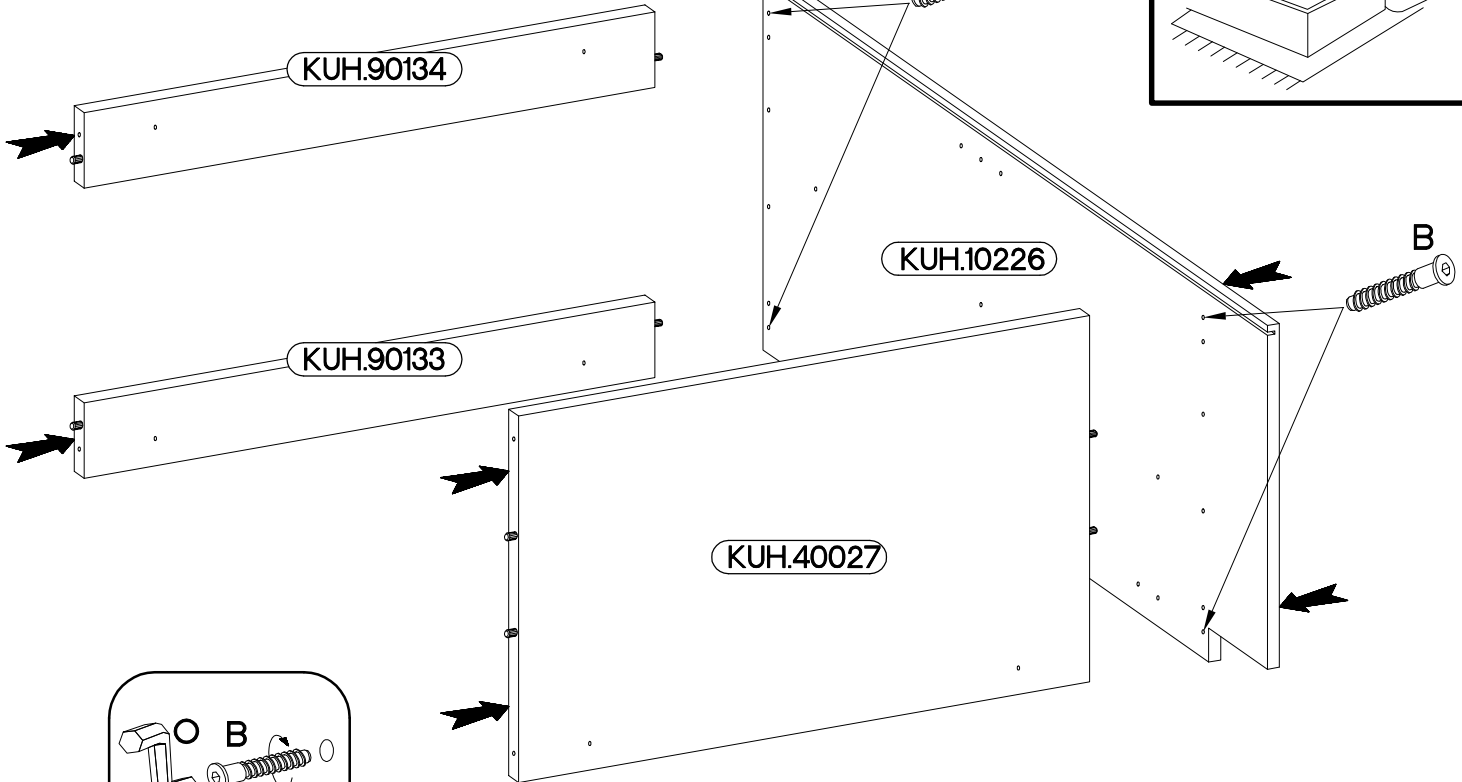
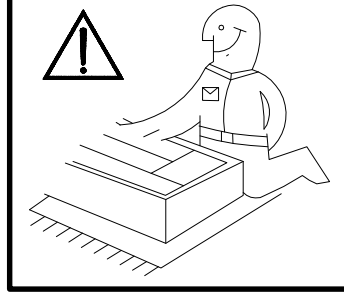
6.5x48x16  F2 4	+8x30mm  A 8
--	---



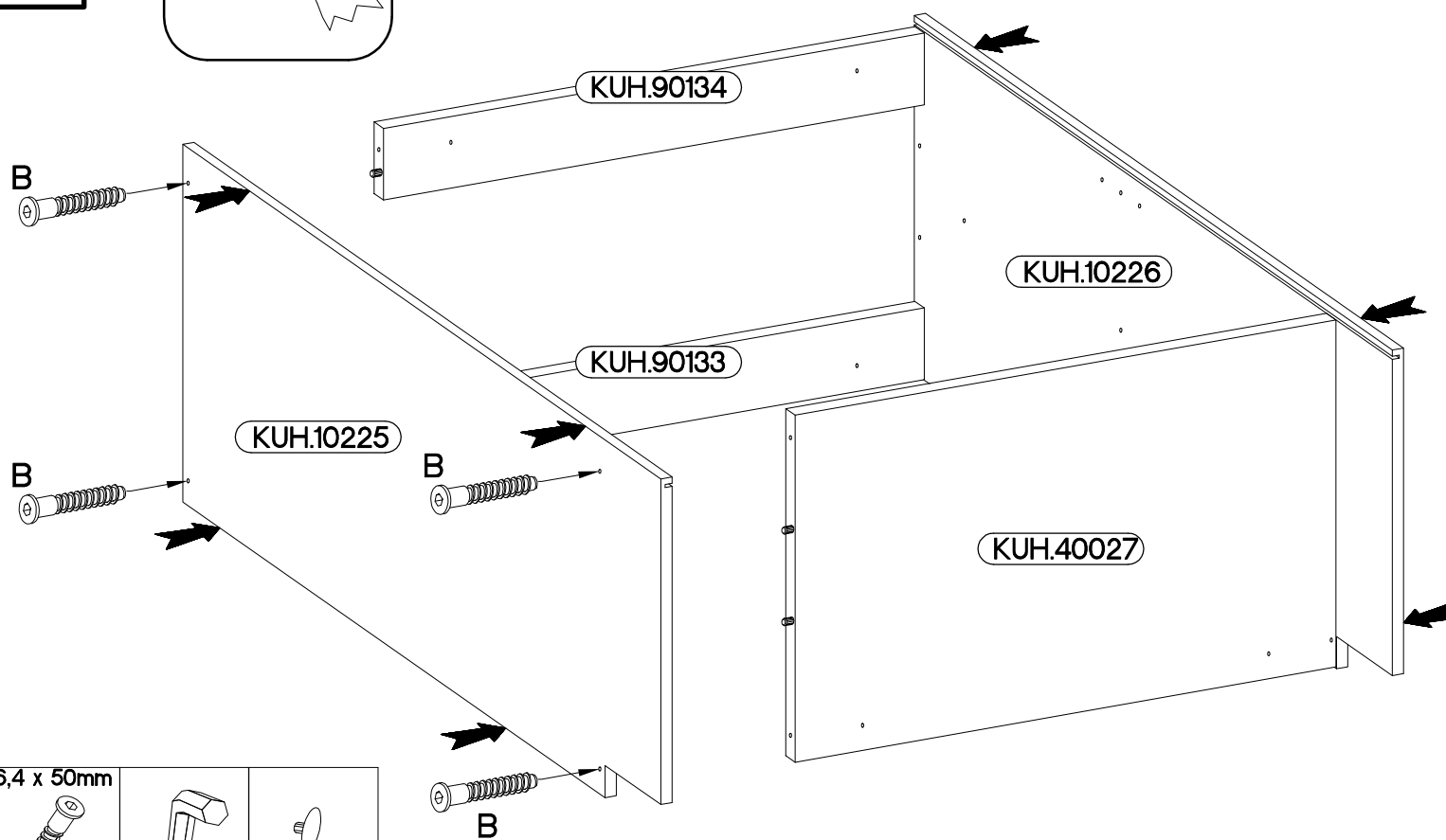
2

6,4 x 50mm


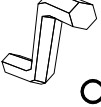

		
B	O	E1
4	1	4



3



6,4 x 50mm

		
B	O	E1
4	1	4

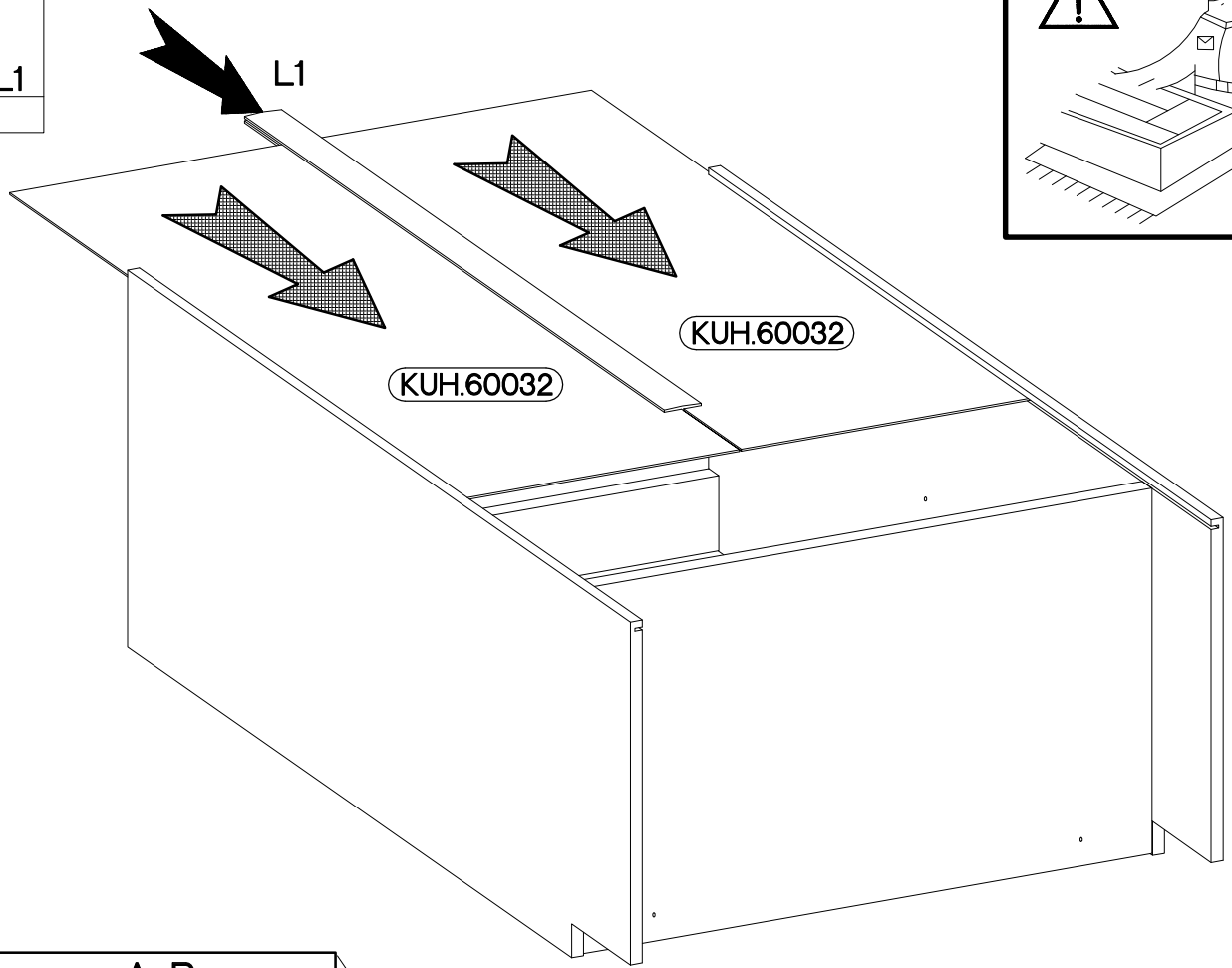
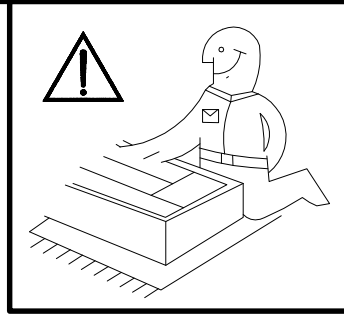
4

L1=680mm

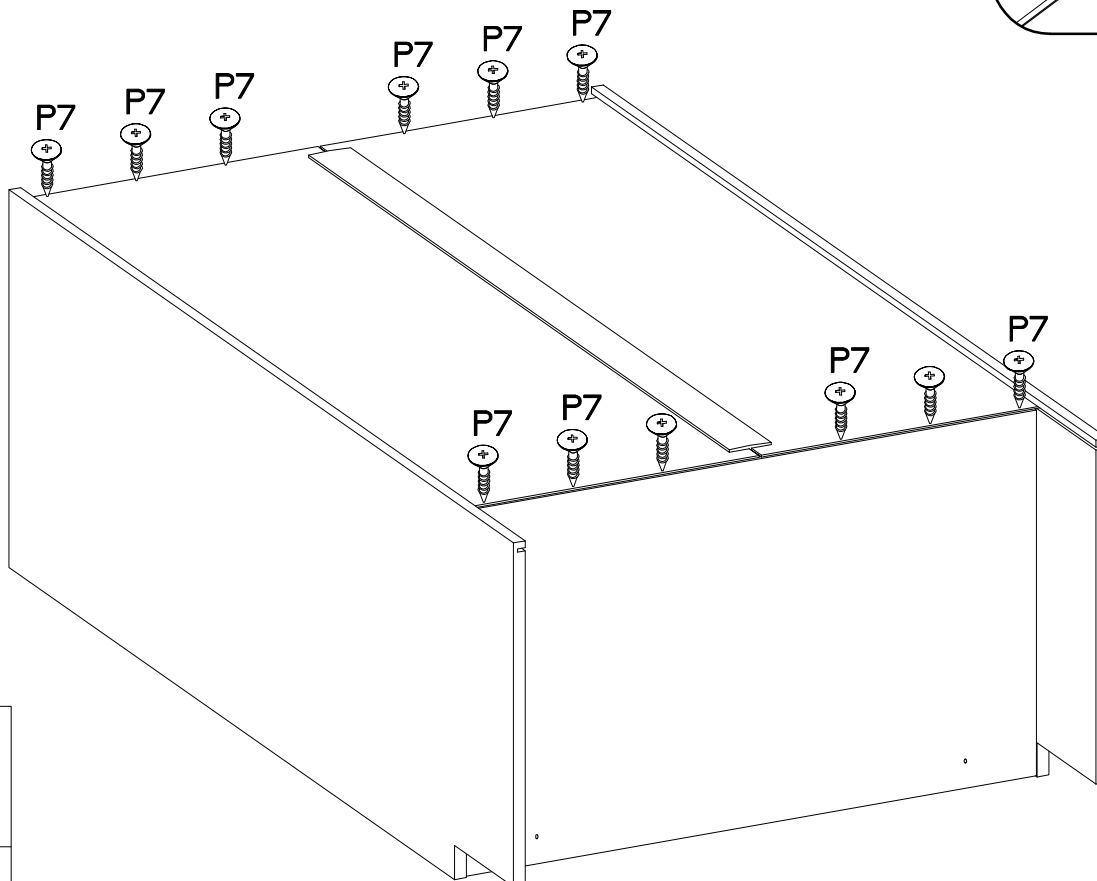
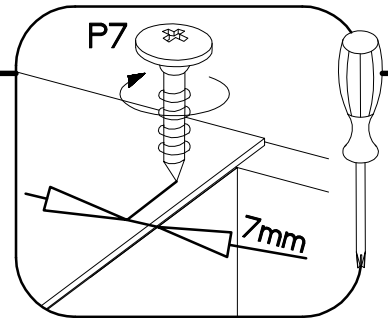
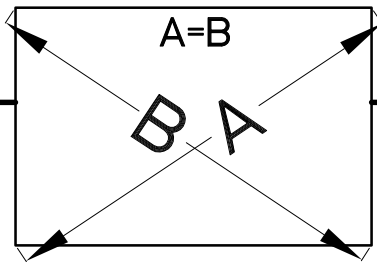


L1

1



5





±3.0x20mm

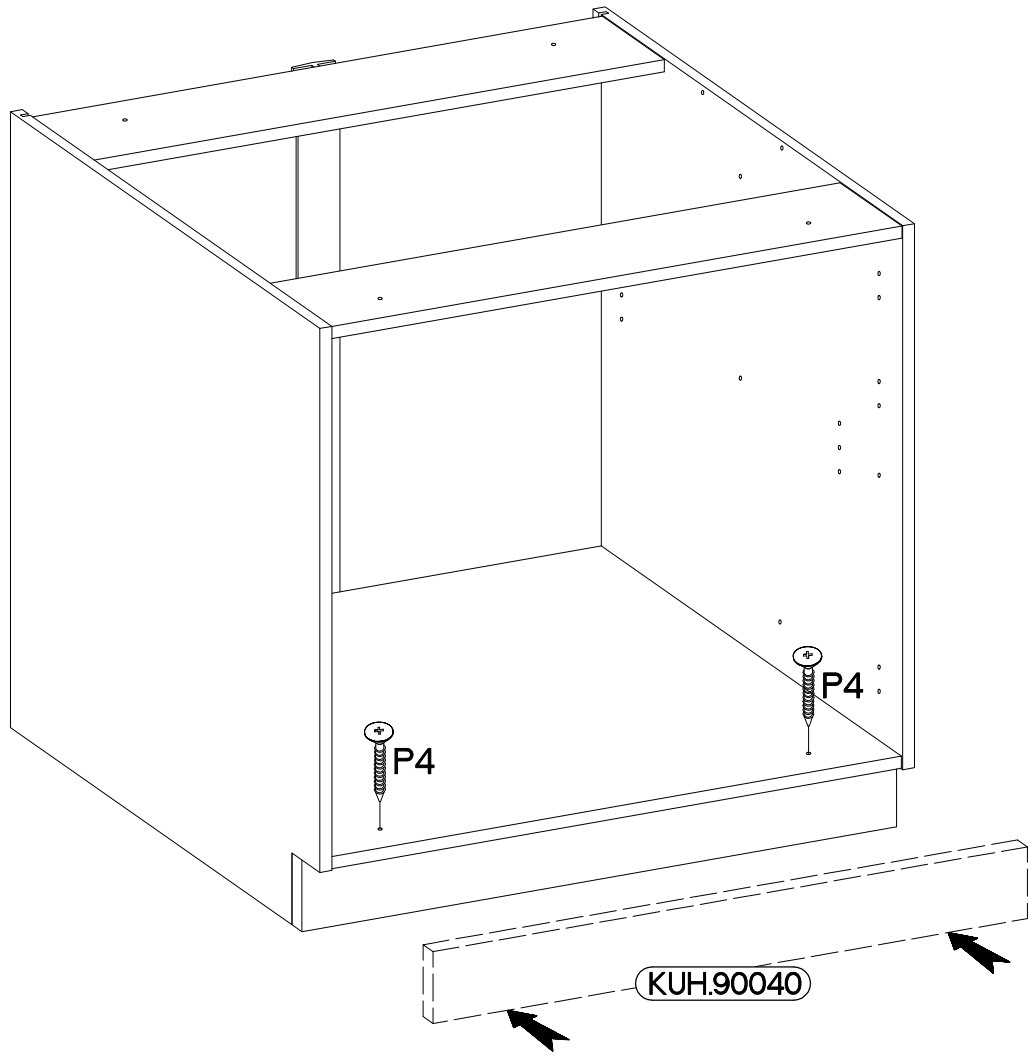
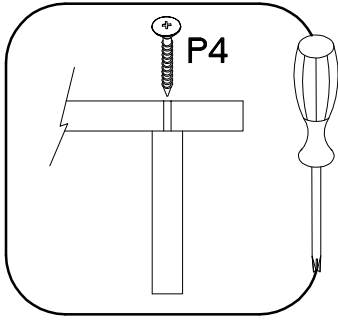


P7


10-15

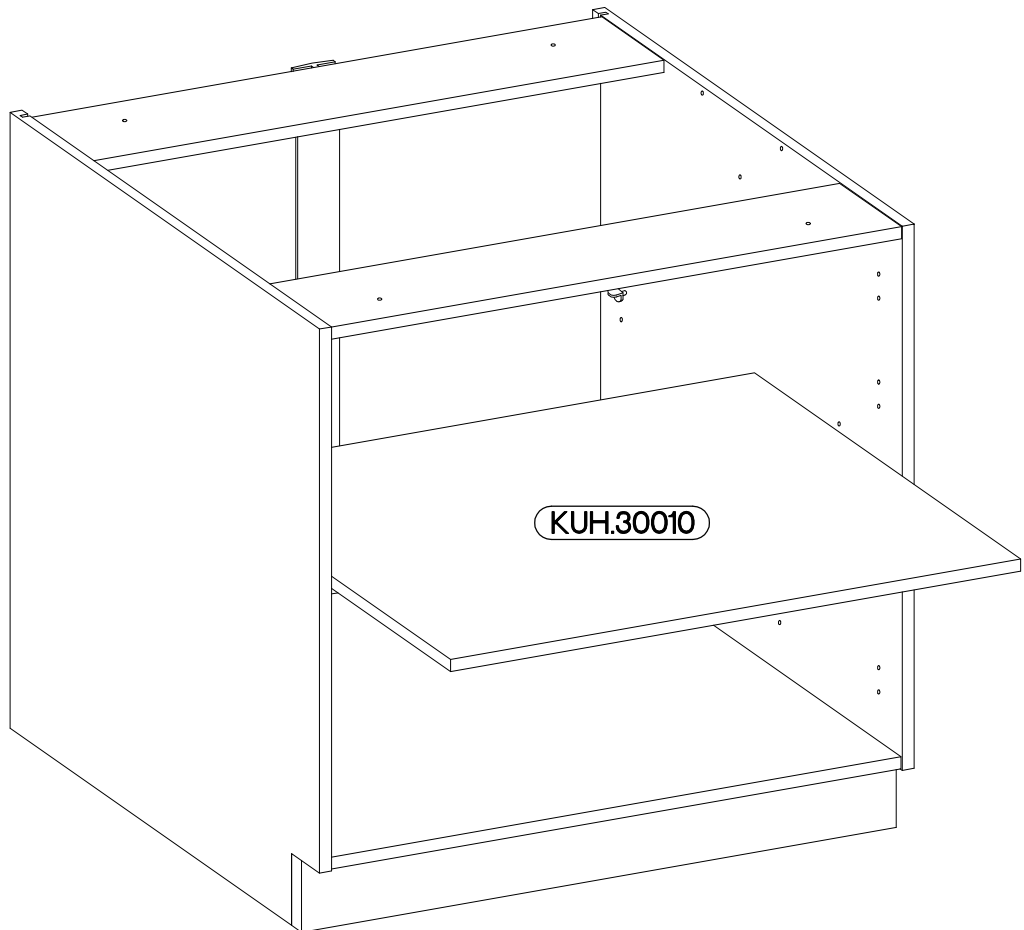
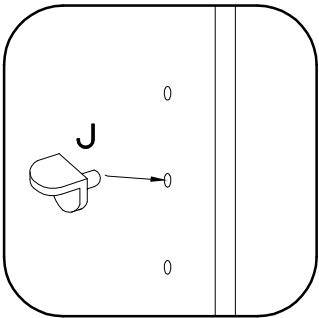
6

+4.0x45mm	
	
P4	E9
2	2



7

+5/19mm	
	J
4	



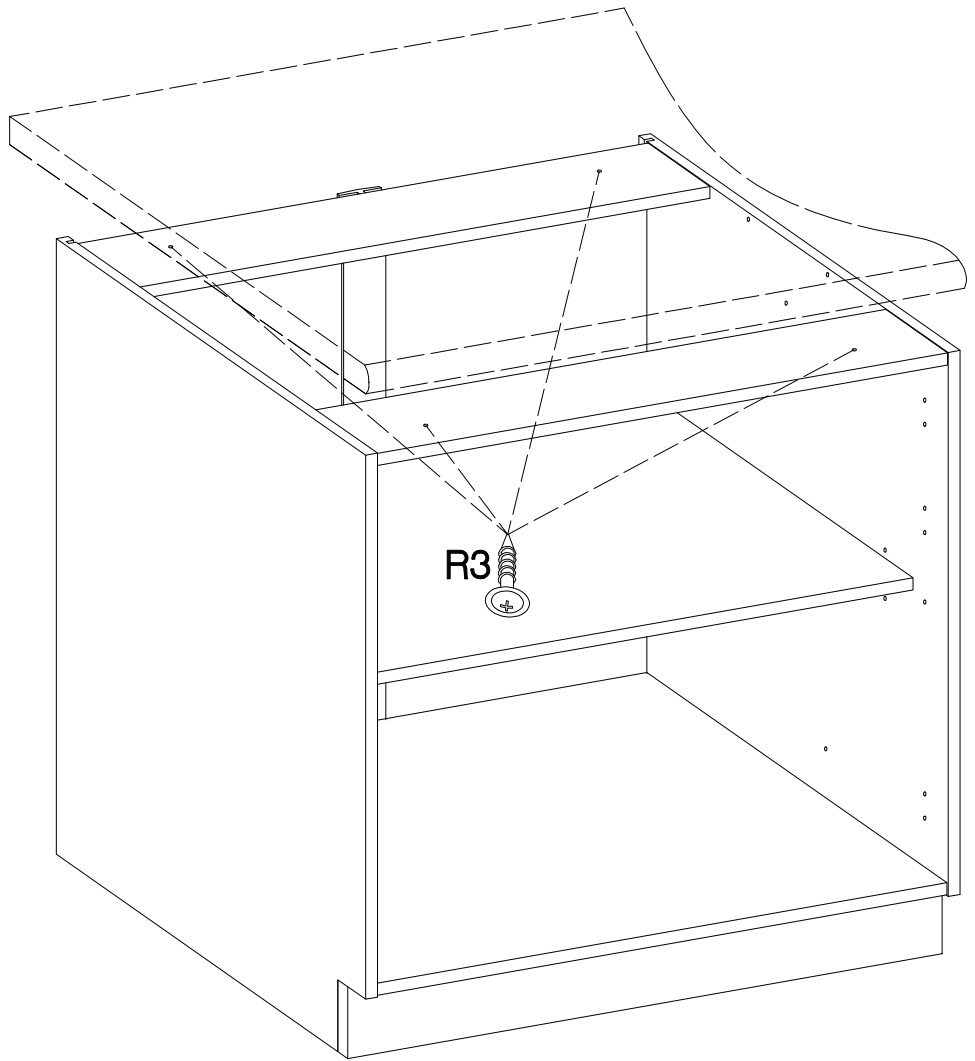
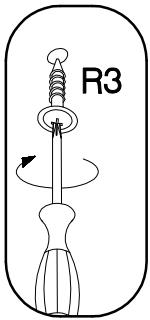
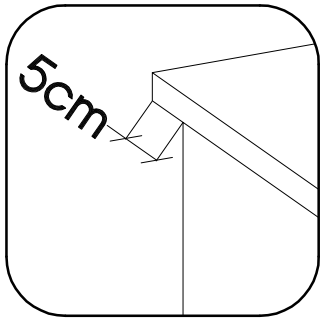
8

4.0x35mm



R3

4



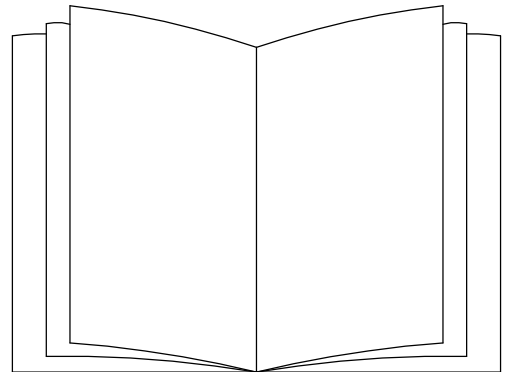
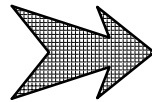
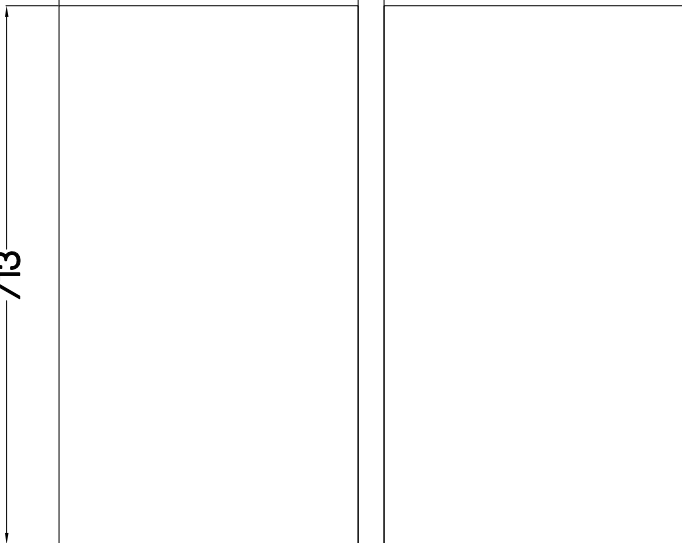
9

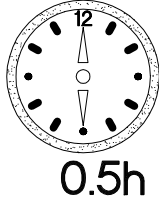
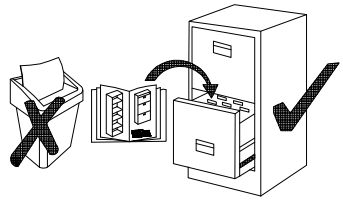
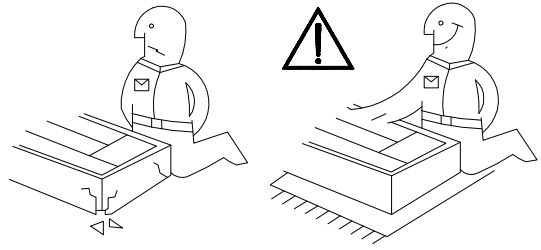
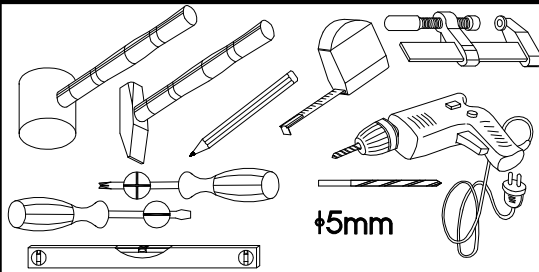
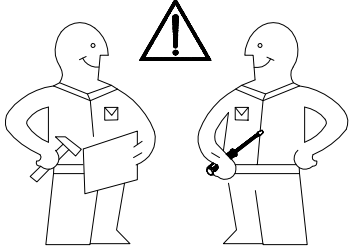
FRONT

396

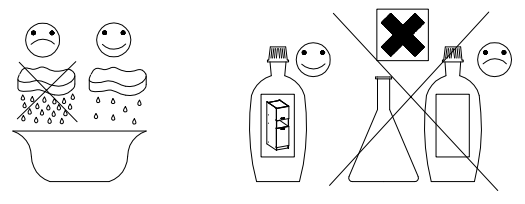
396

713

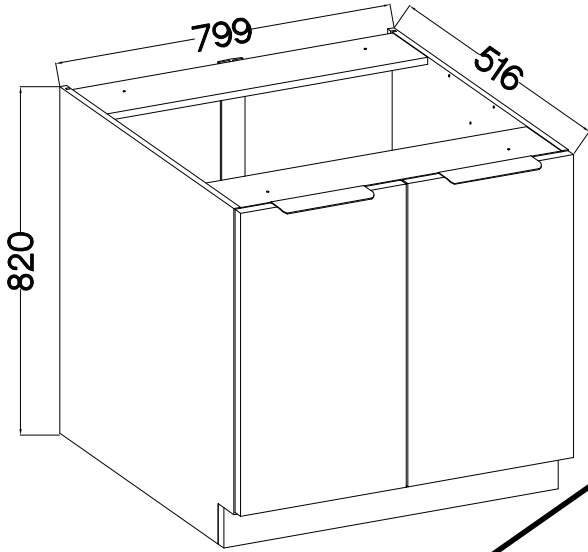




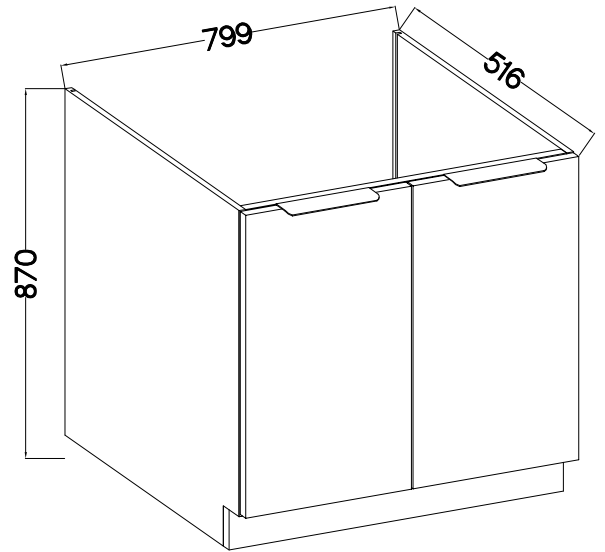
713x396 - 2szt.  
FRONT



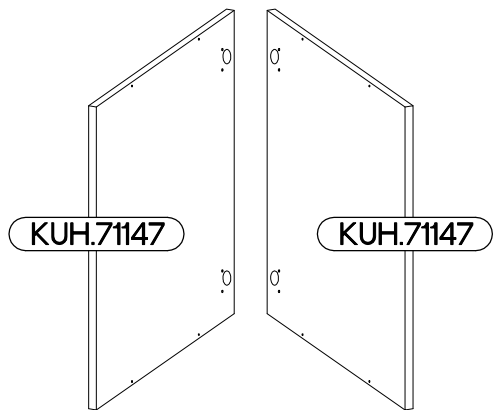
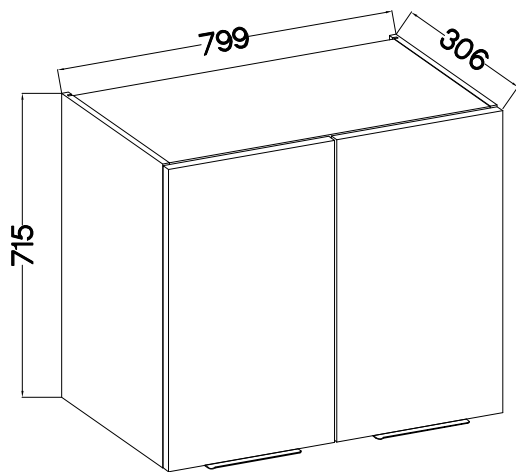
80 D 2F BB



80 ZL 2F BB



80 G-72 2F



L=192mm	±7/2mm
S	J5
2	4

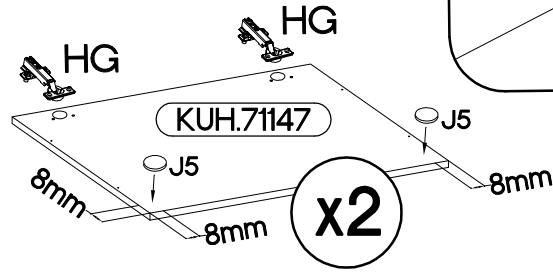
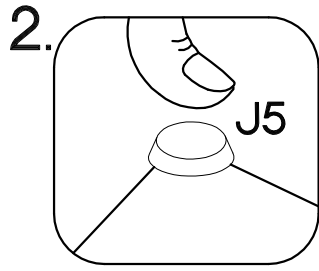
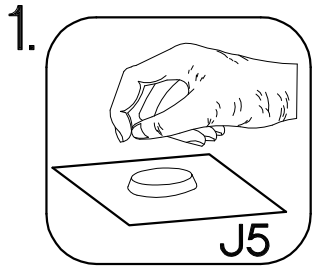
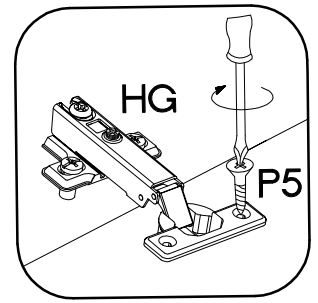
Ersatzteil Nummer	Dimension
KUH.71147 x2	713x396x16

ISM-KUH-02012

1

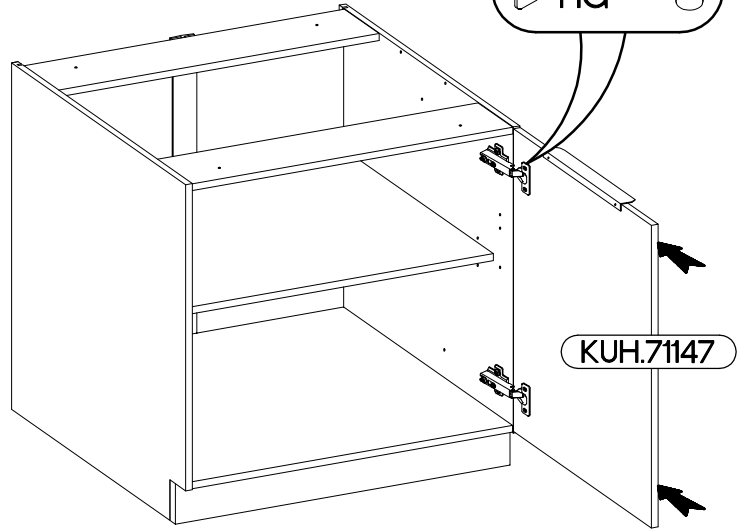
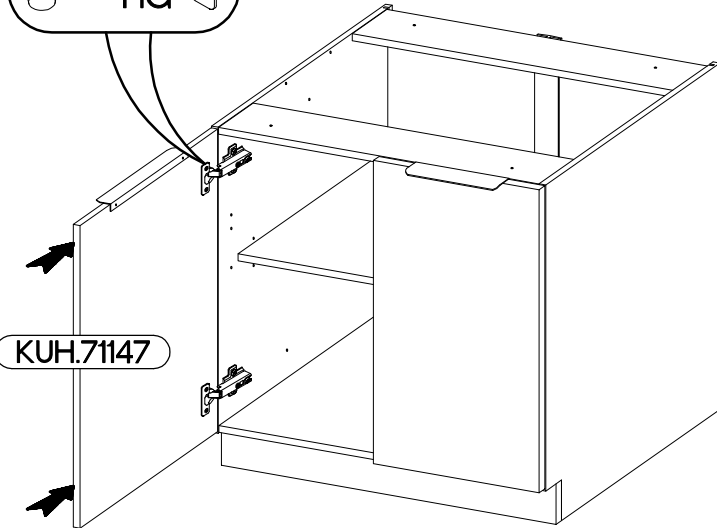
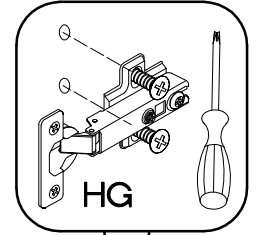
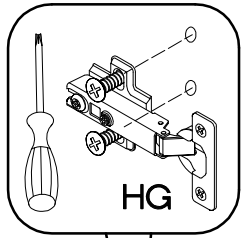
80 D 2F BB

$\pm 35/0\text{mm}$ [CD] HG 4	$\pm 3.5 \times 13\text{mm}$ P5 8	$\pm 7/2\text{mm}$ J5 4
-------------------------------------	---	-------------------------------

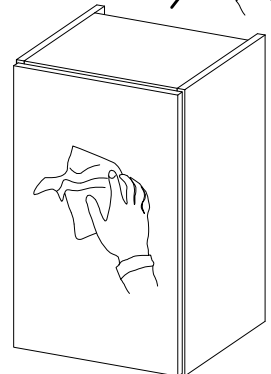
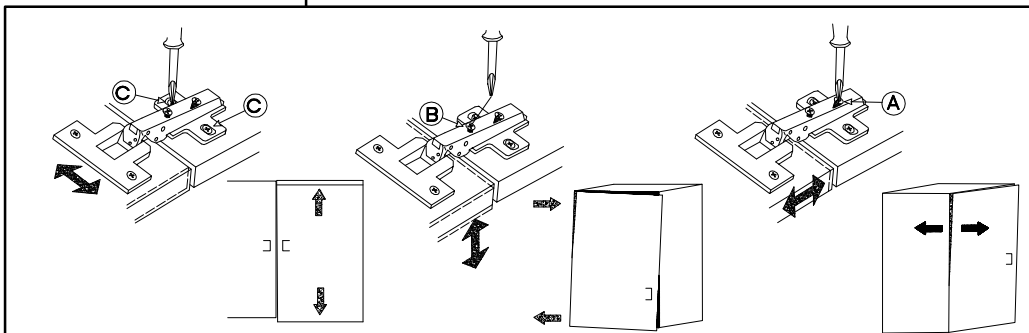
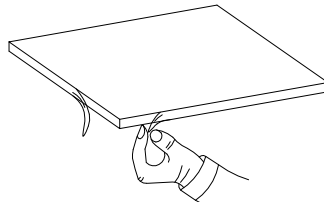
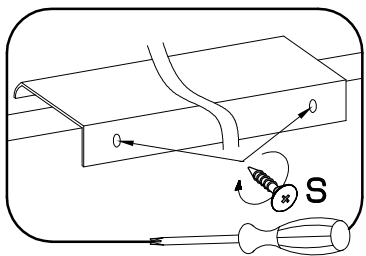


2

L=192mm S 2
-------------------



VARIANT HIGH GLOSS



# 3

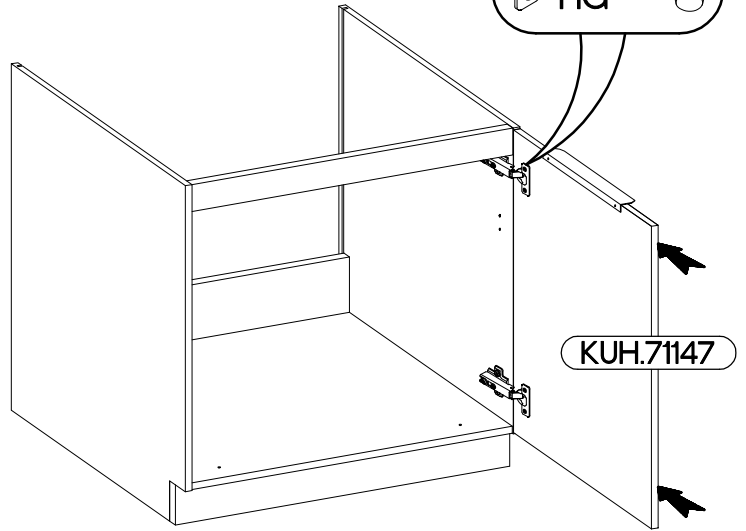
# 80 ZL 2F BB

L=192mm

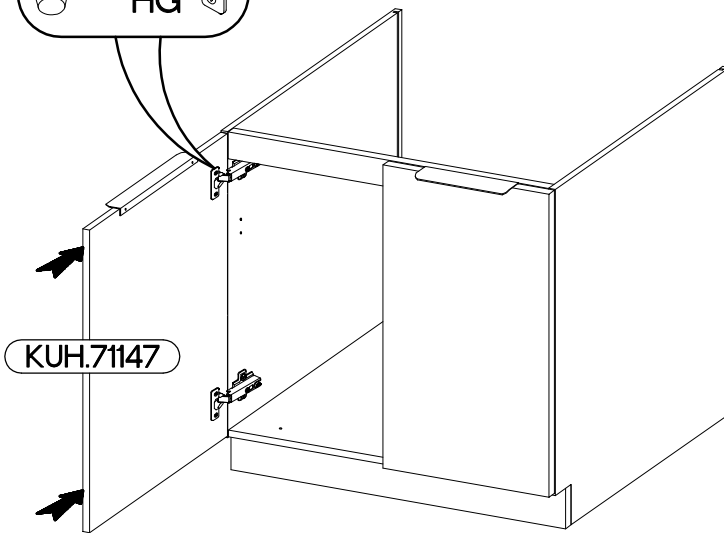
S

2

HG

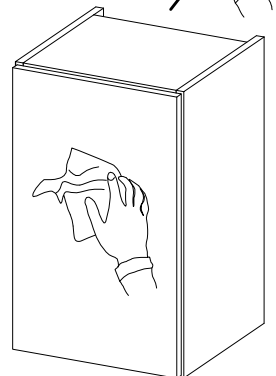
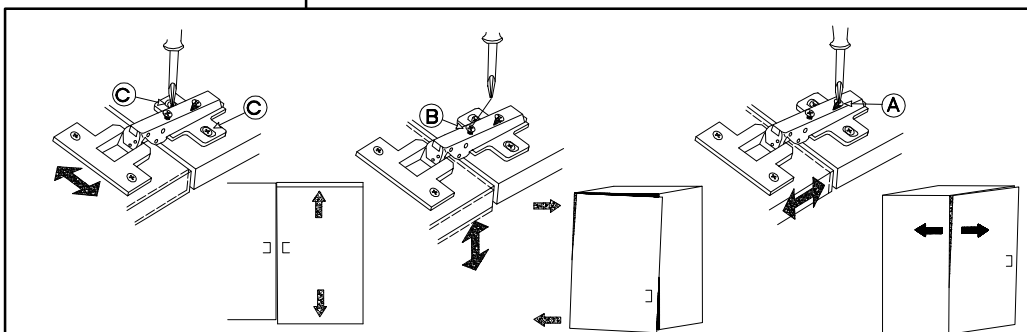
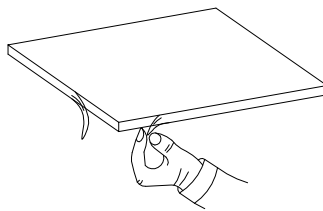


HG



S

## VARIANT HIGH GLOSS

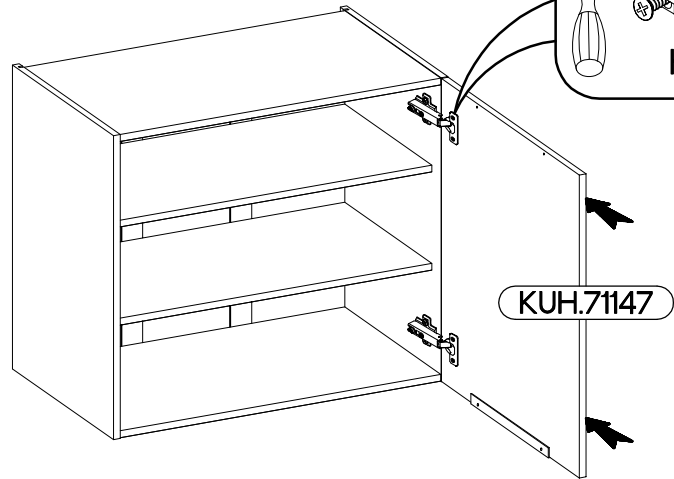


L=192mm

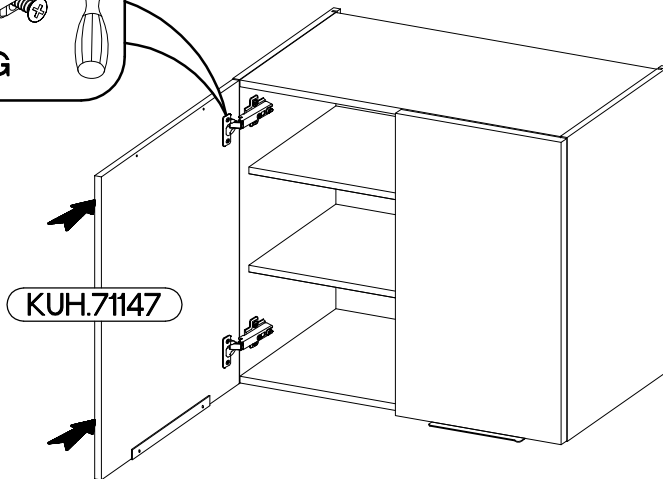
S

2

HG



HG



S

VARIANT HIGH GLOSS

