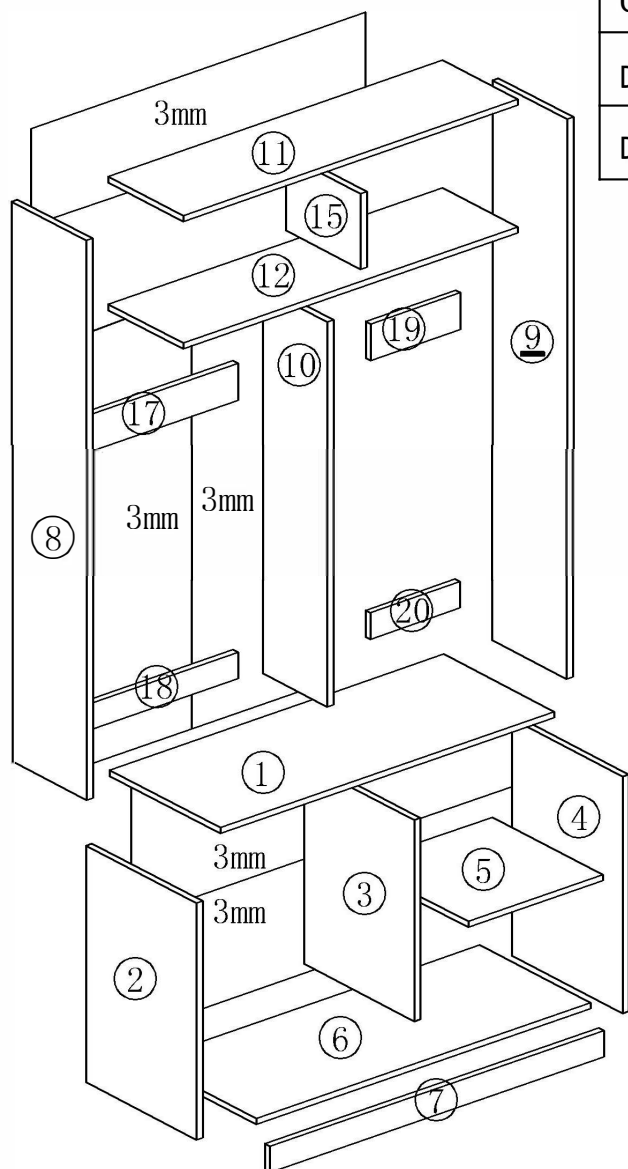
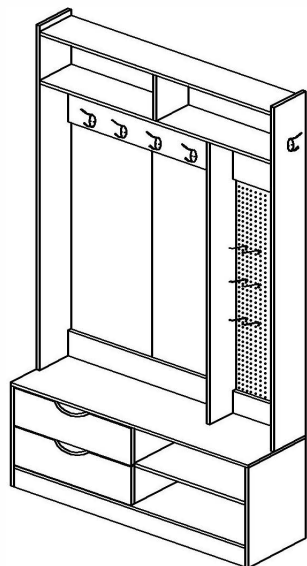
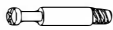



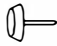

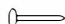





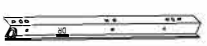
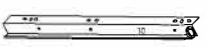
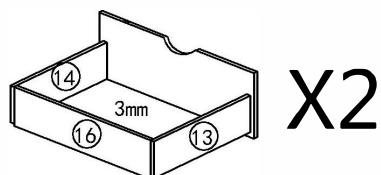
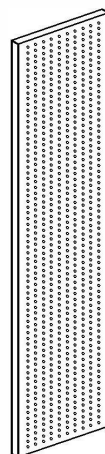
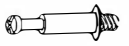







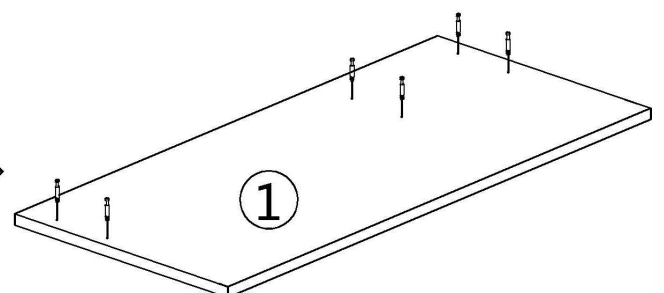
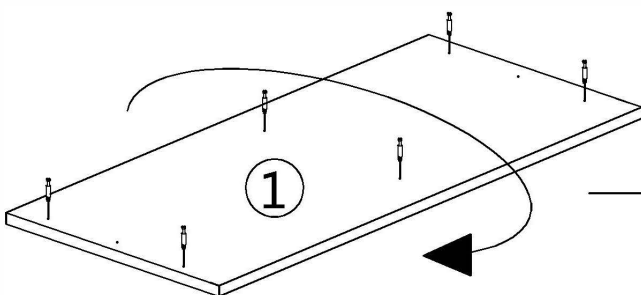
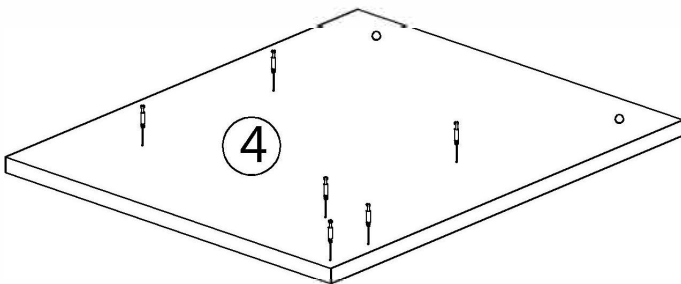
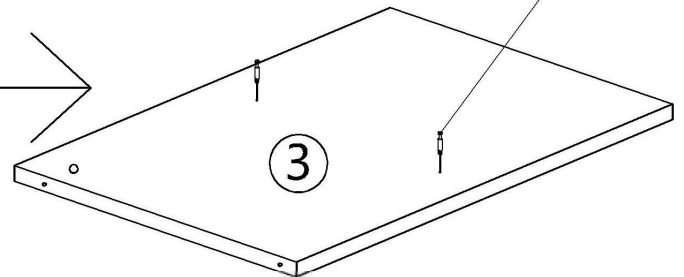
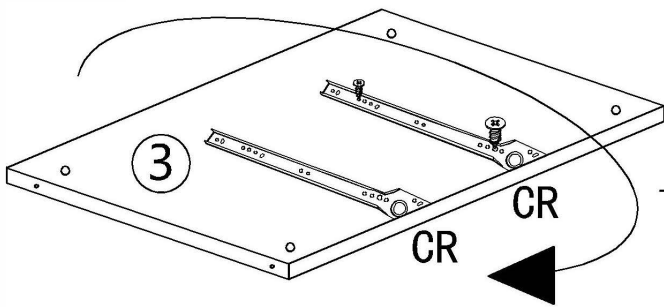
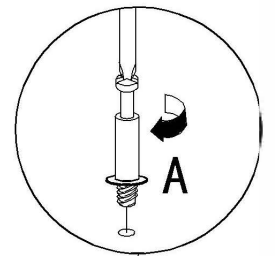
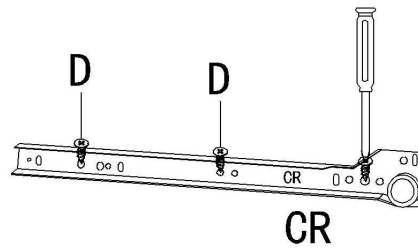
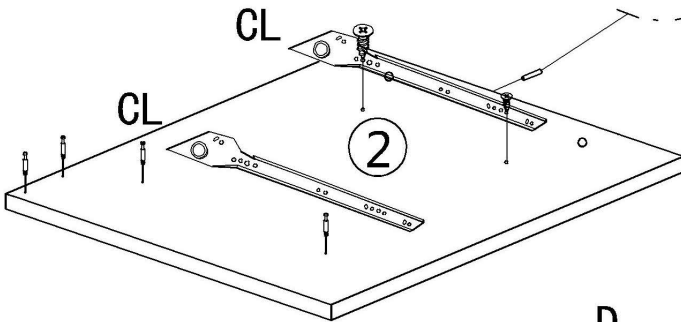
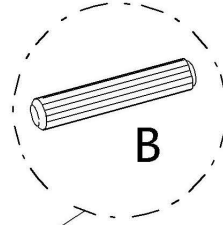
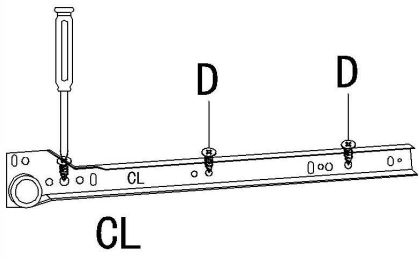
ÖSSZESZERELÉSI ÚTMUTATÓ - SAVANNA akasztós előszobafal INSTRUCȚIUNI DE ASAMBLARE - Perete suspendat pentru hol SAVANNA

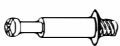



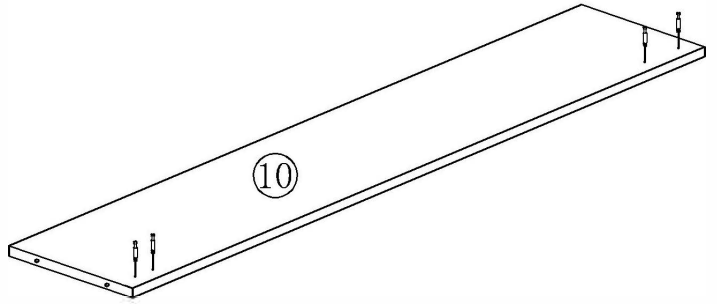
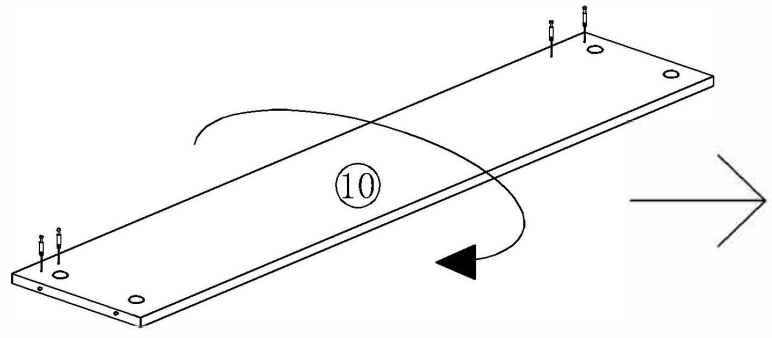
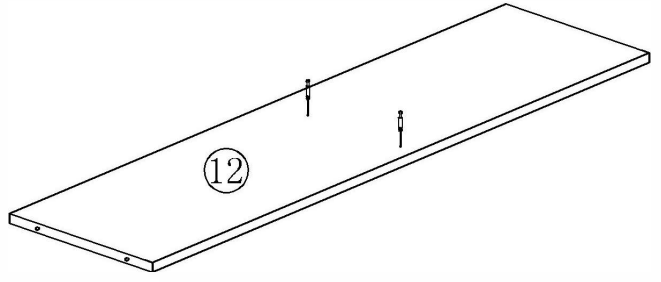
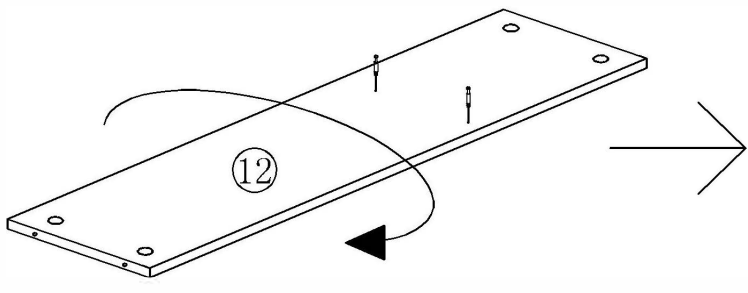
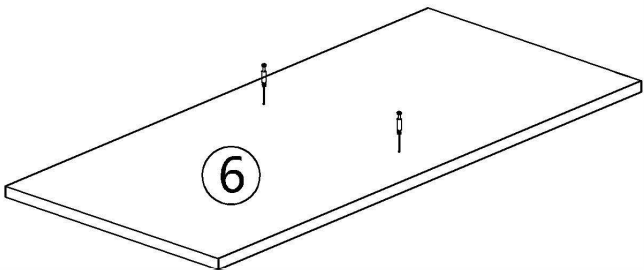
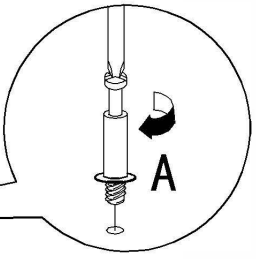
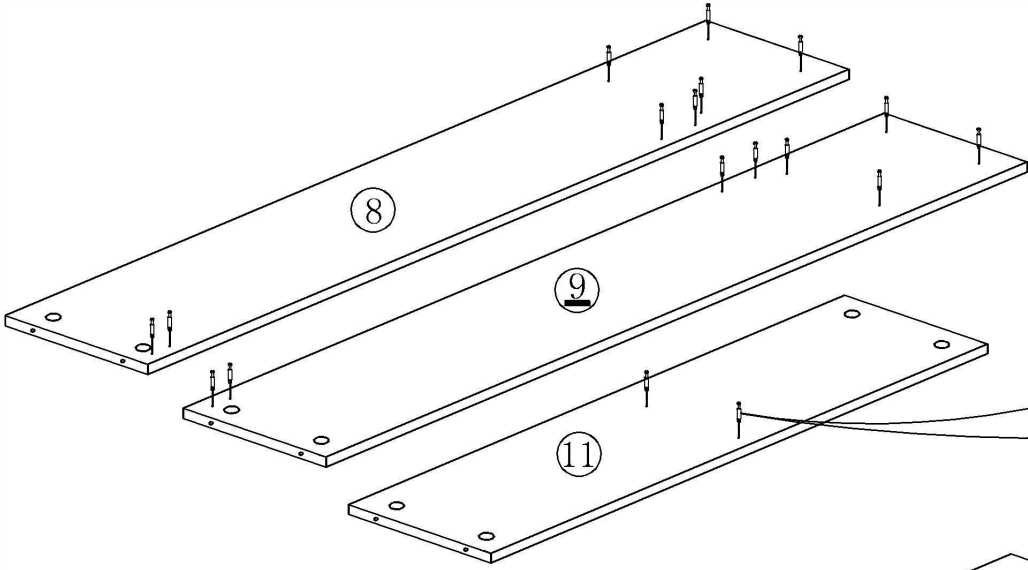
| | | |
|----|--|-------|
| A |  | 64 db |
| |  | 60 db |
| B | 5X50  | 8 db |
| C |  | 4 db |
| |  | 6 db |
| D | 3.5X14  | 52 db |
| E |  | 48 db |
| |  | 5 db |
| |  | 2 db |
| |  | 6 db |
| CL |  | 2 db |
| CR |  | 2 db |
| DR |  | 2 db |
| DL |  | 2 db |




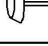
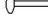


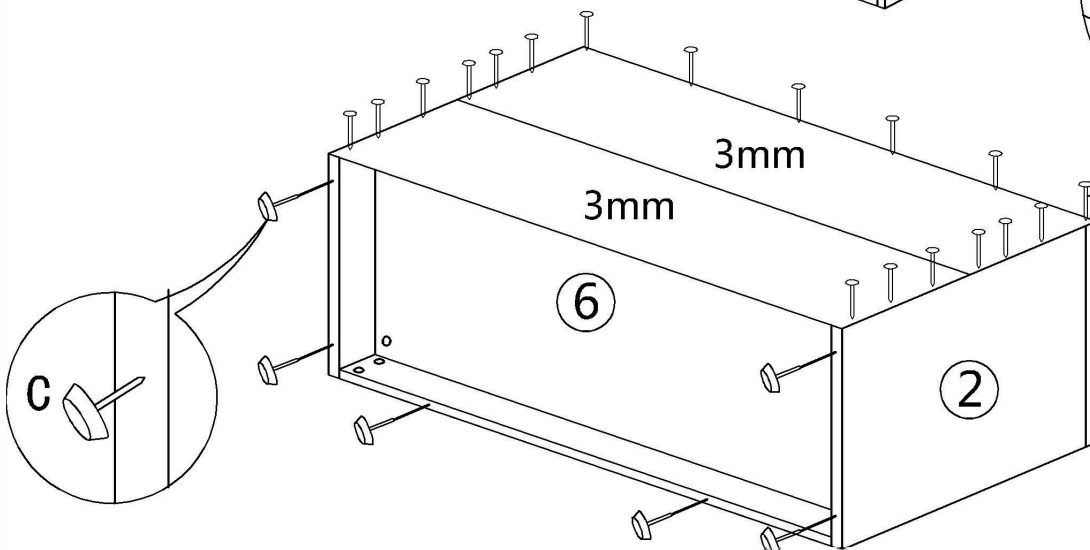
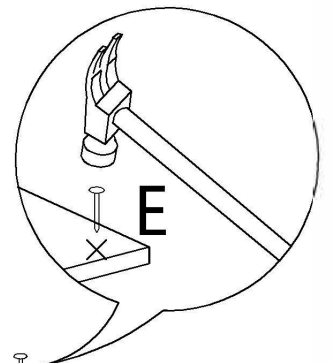
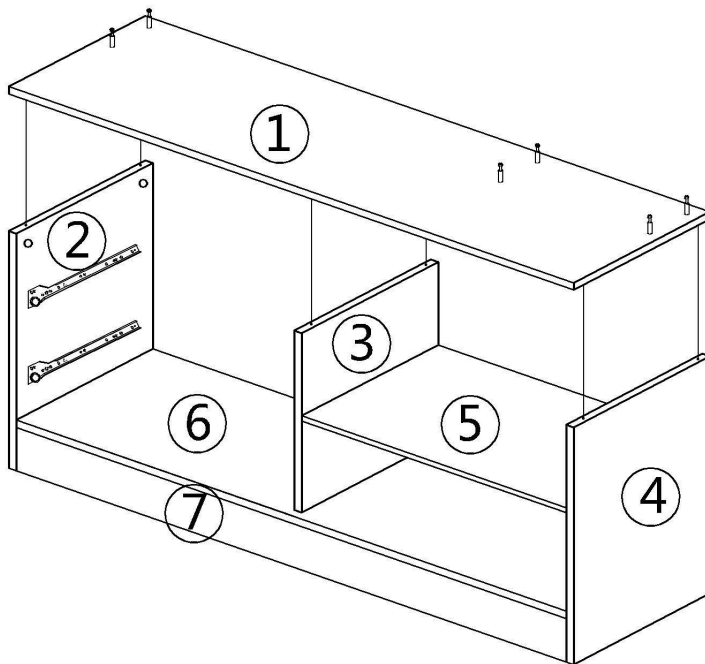
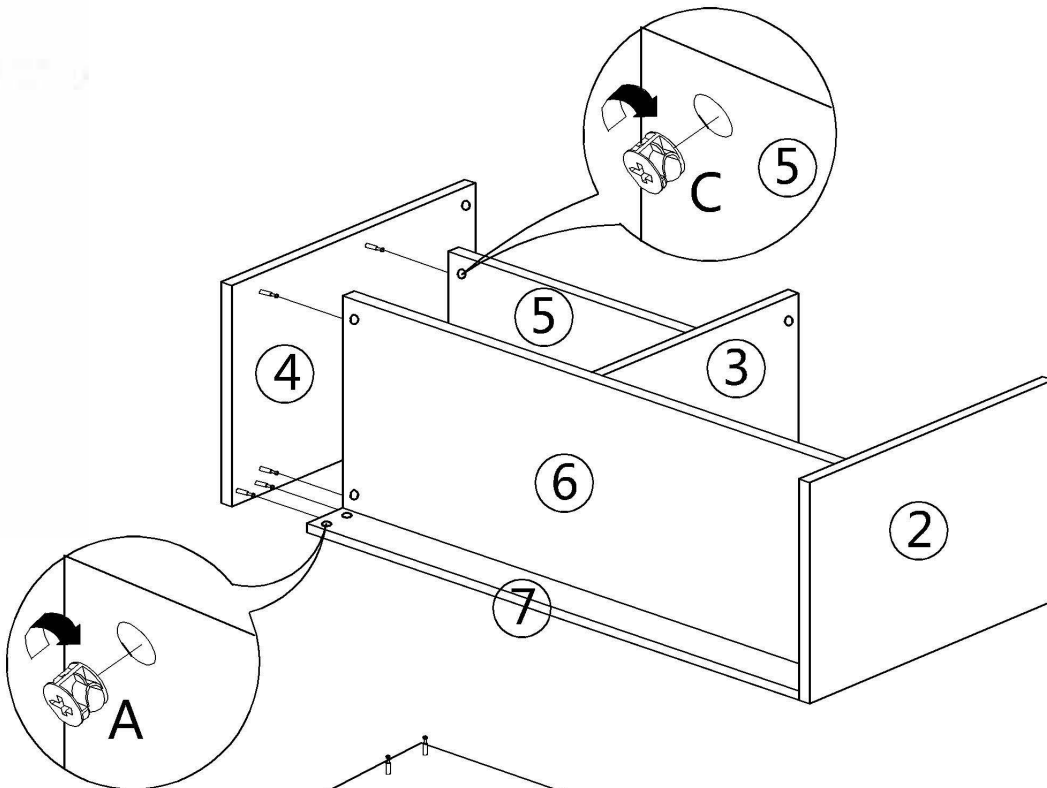
| | | | |
|----|---|----|---|
| A |  | 24 |  |
| B |  | 2 | |
| D |  | 12 | |
| CL |  | 2 | |
| CR |  | 2 | |




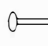


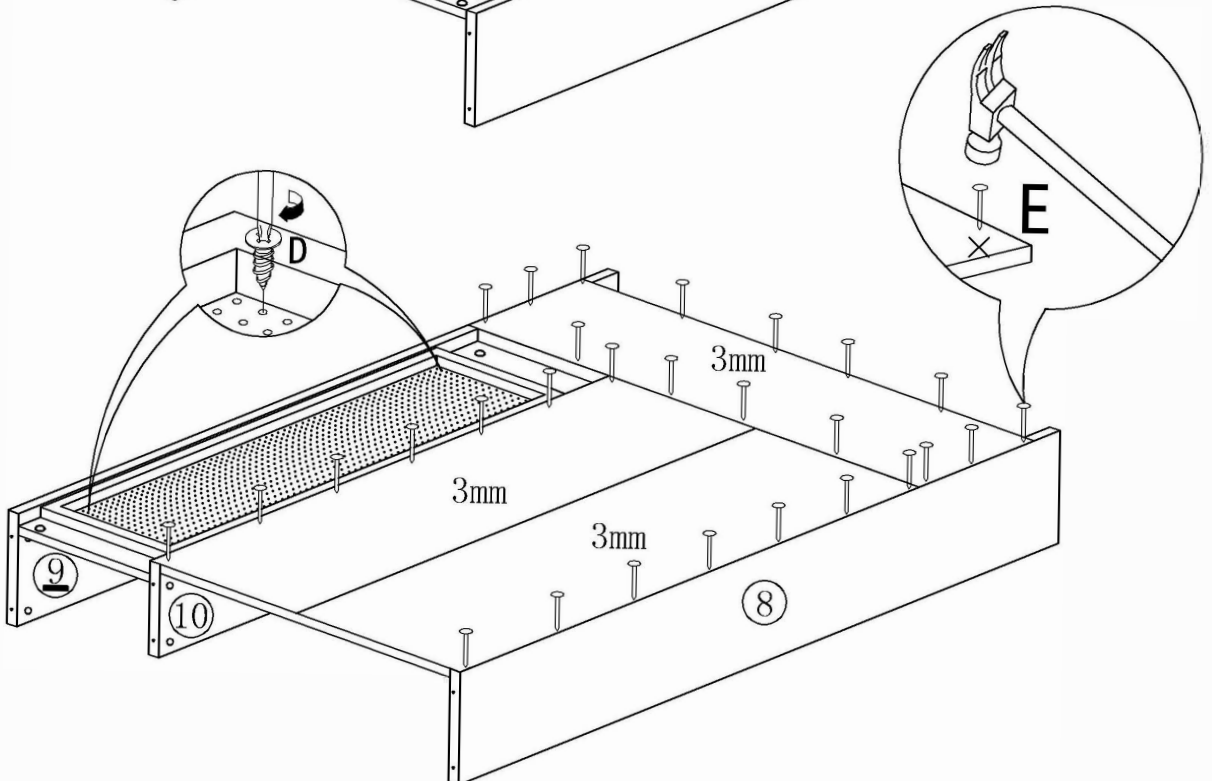
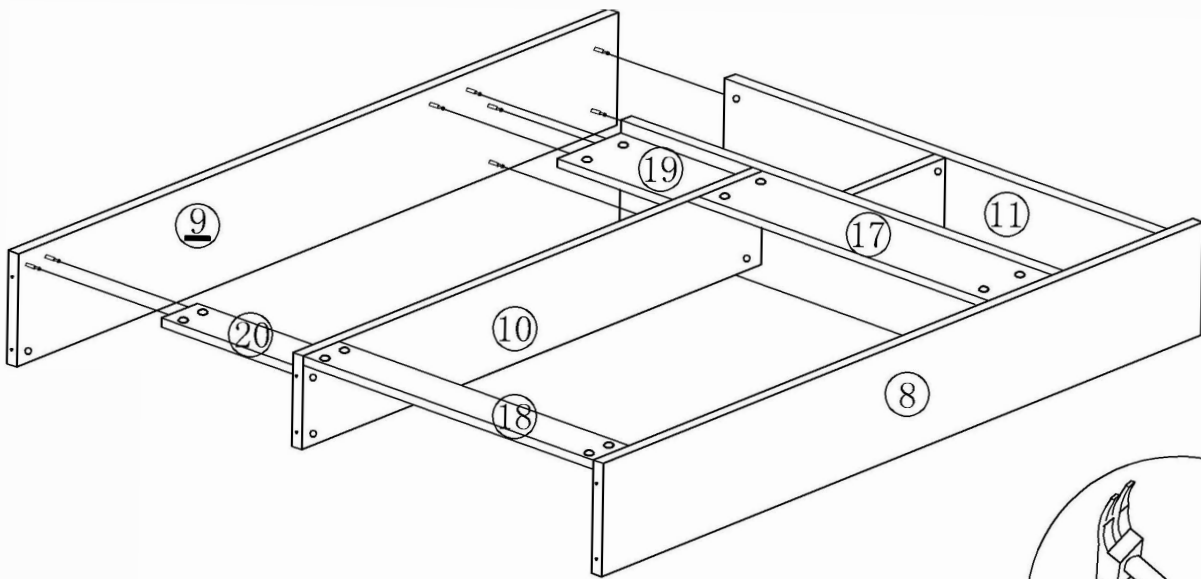
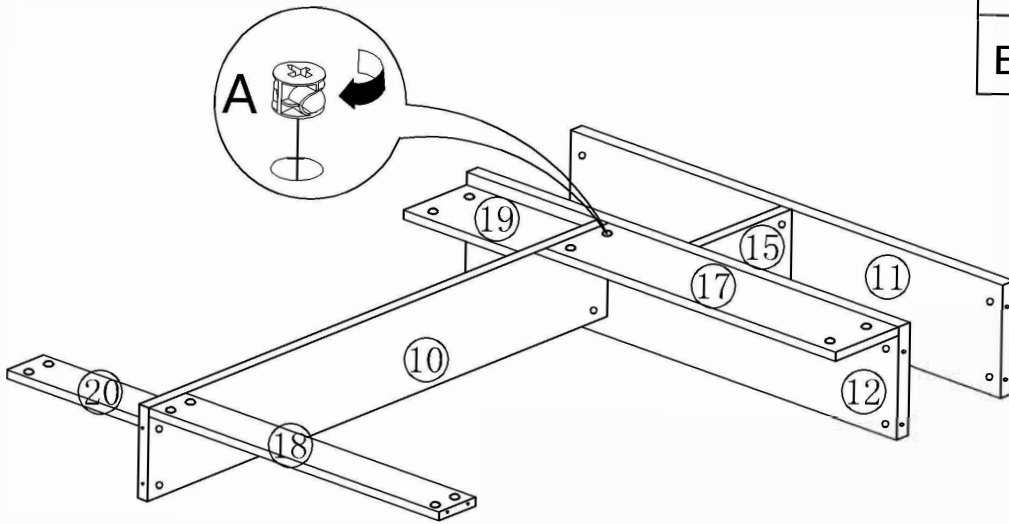
| | | | |
|---|---|----|---|
| A |  | 32 |  |
|---|---|----|---|

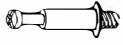






| | | | |
|---|---|----|---|
| A |  | 16 |  |
| C |  | 4 | |
| |  | 6 | |
| E |  | 20 | |

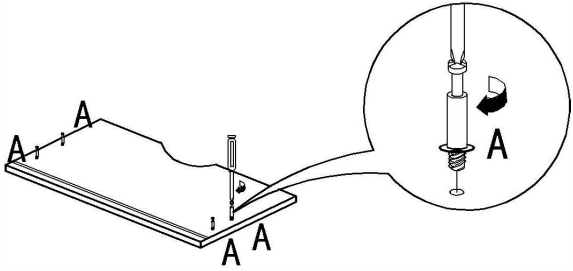


| | | | |
|---|---|----|---|
| A |  | 30 |  |
| D |  | 10 | |
| E |  | 28 | |

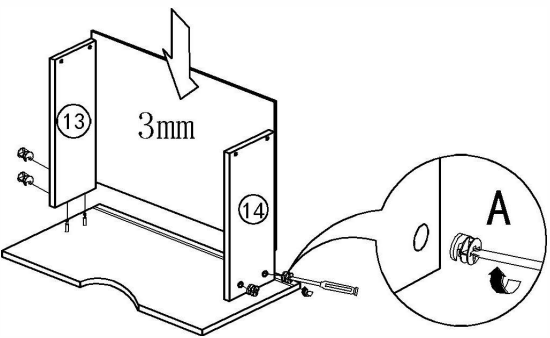


| | | | |
|---|---|----|---|
| A |  | 8 |  |
| |  | 8 | |
| B |  | 8 | |
| D |  | 20 | |

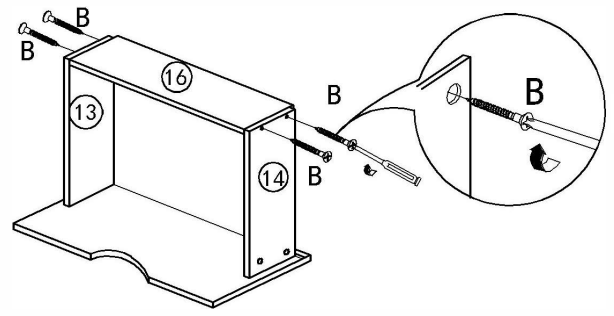
(1)



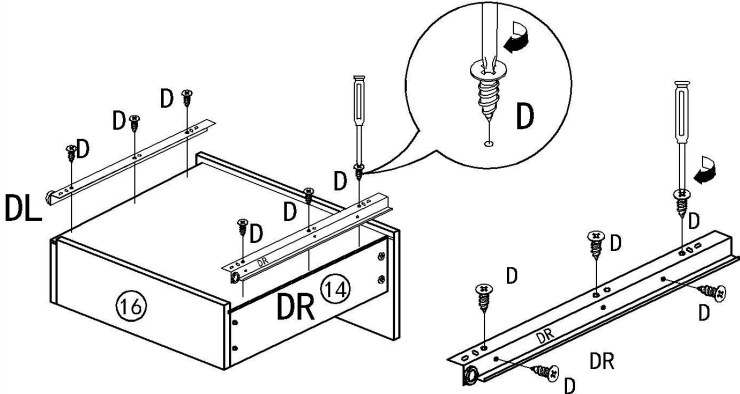
(2)




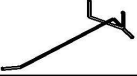


(3)



(4)



| | | | |
|---|---|----|---|
| A |  | 6 |  |
| D |  | 10 | |
|  | | | 6 |

