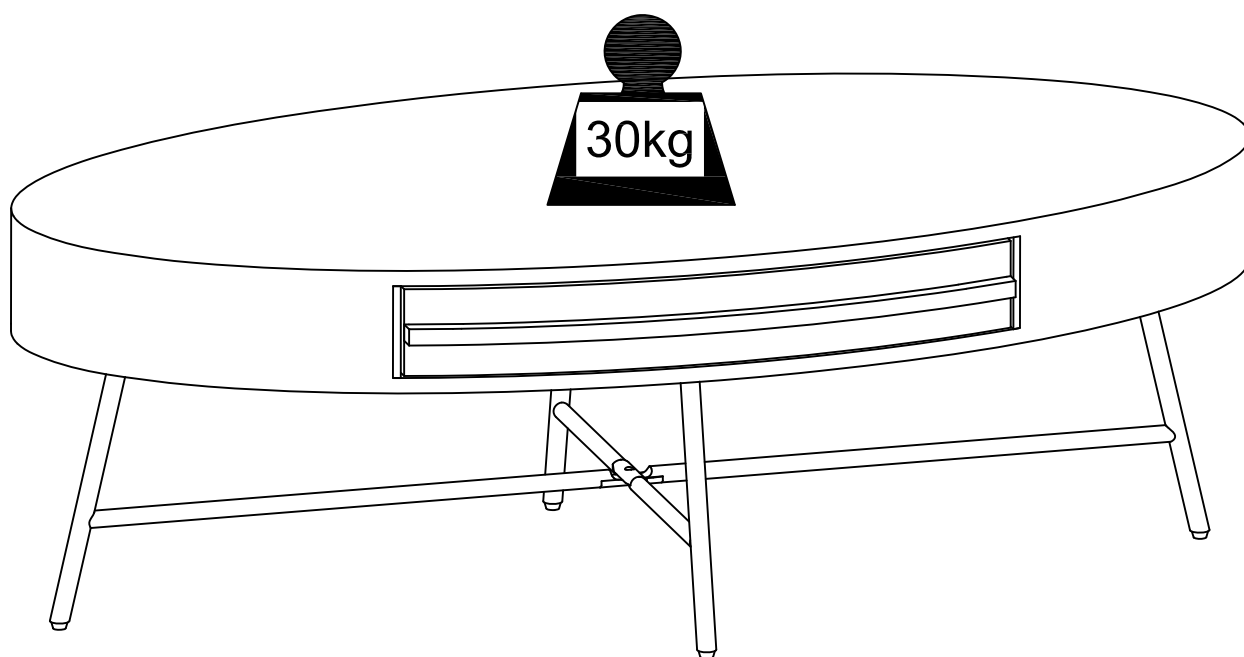
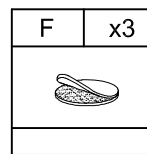
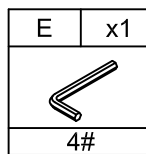
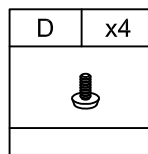
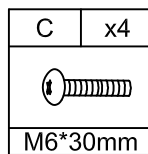
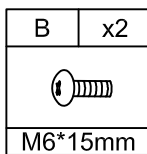
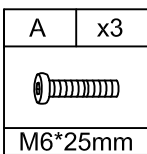
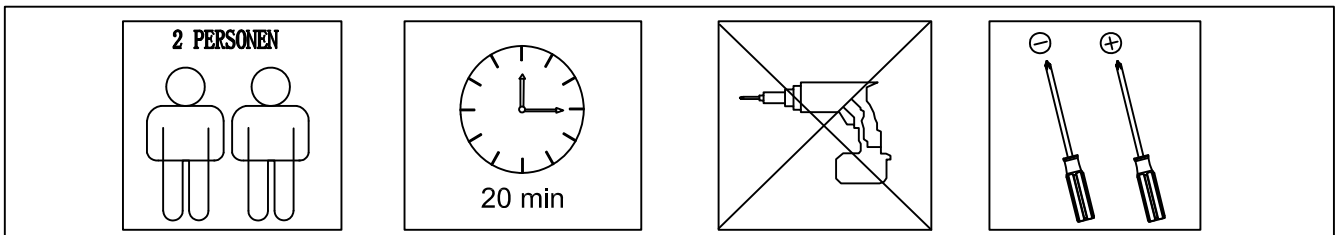
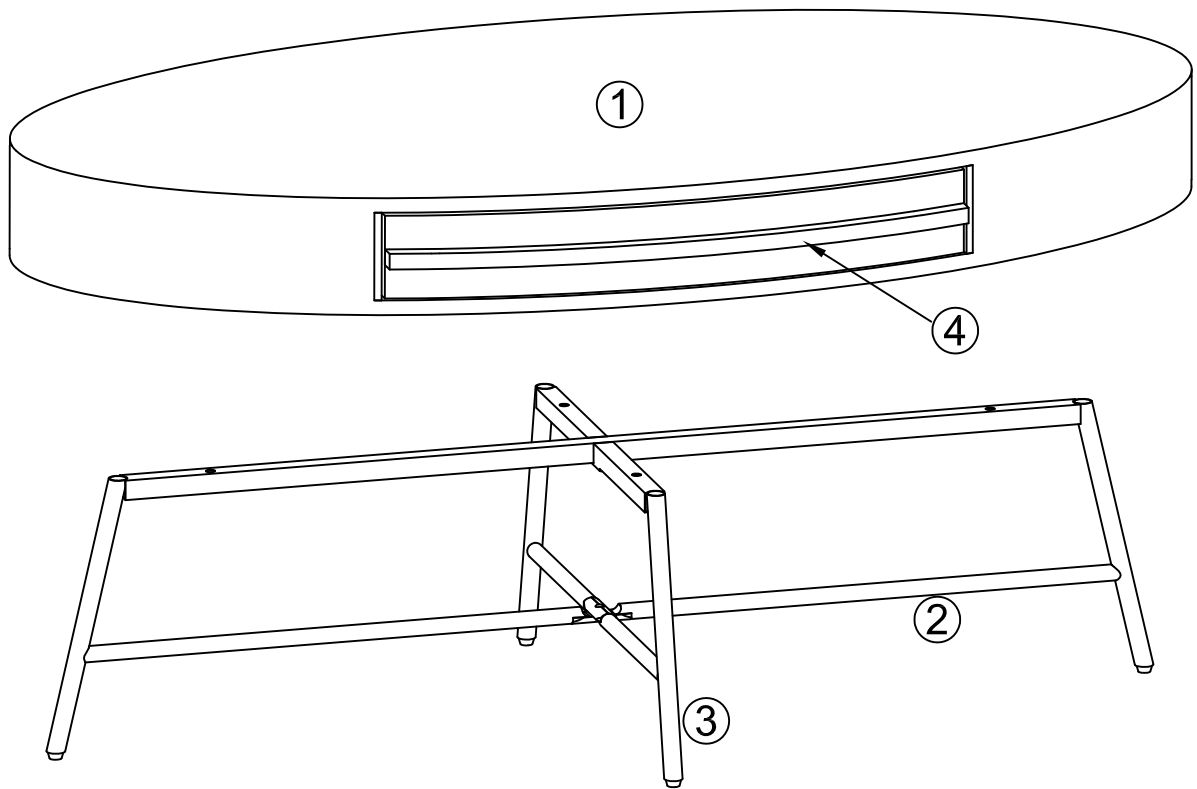


# Assemble instruction

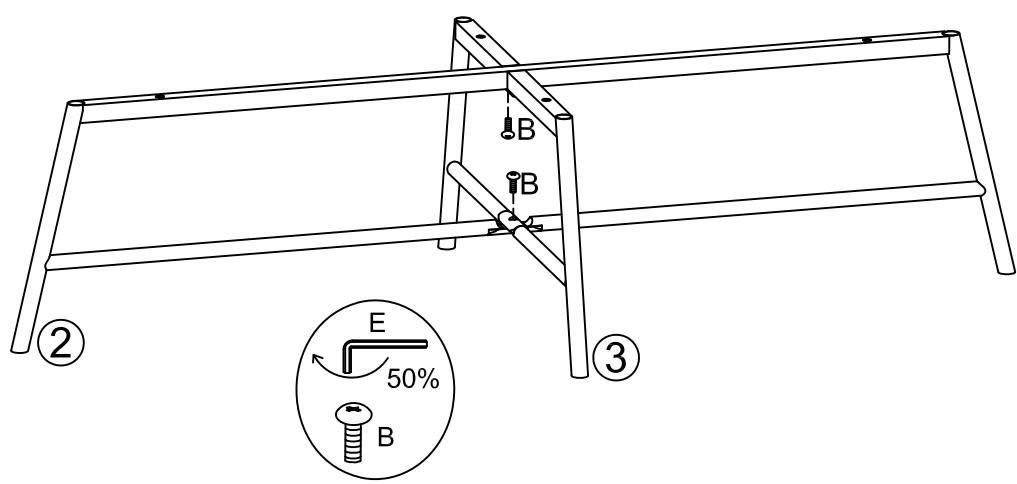
## 27980026/01

### EMILIA



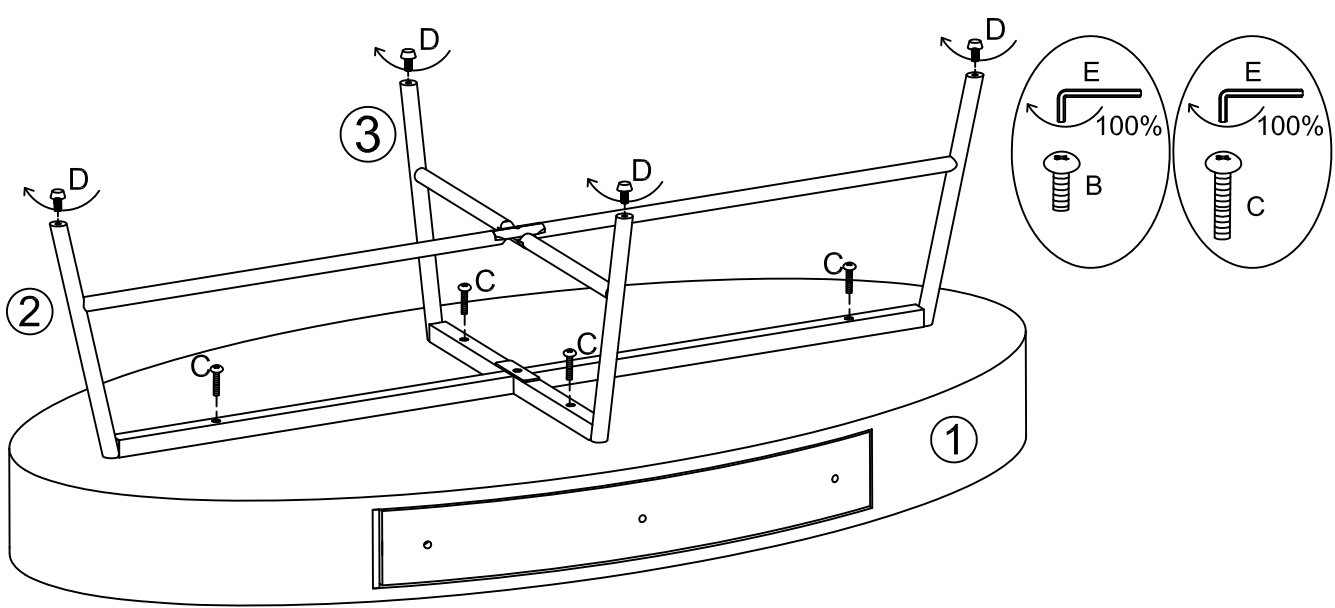


1



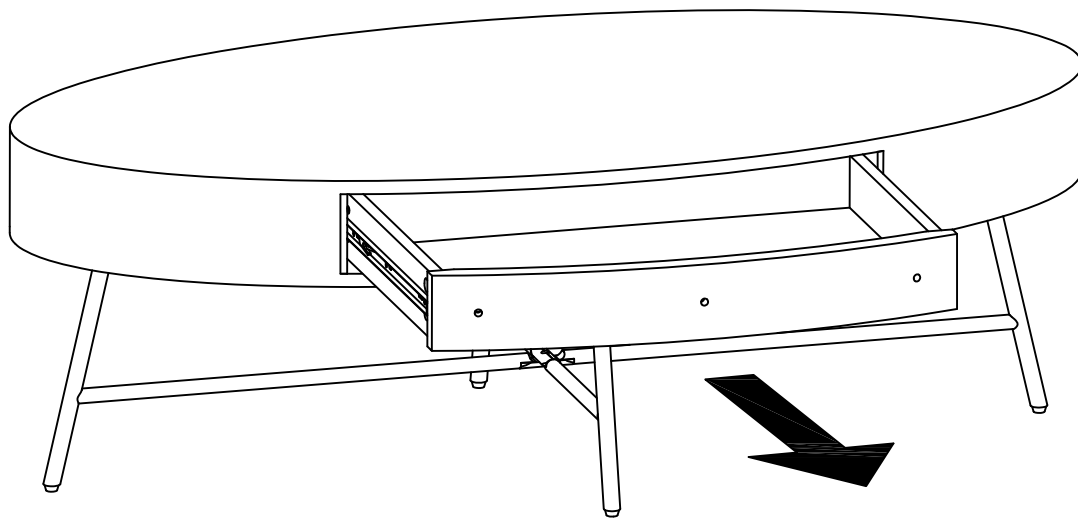
B	x2	E	x1
M6*15mm		4#	

2

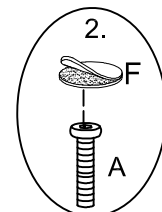
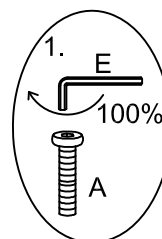
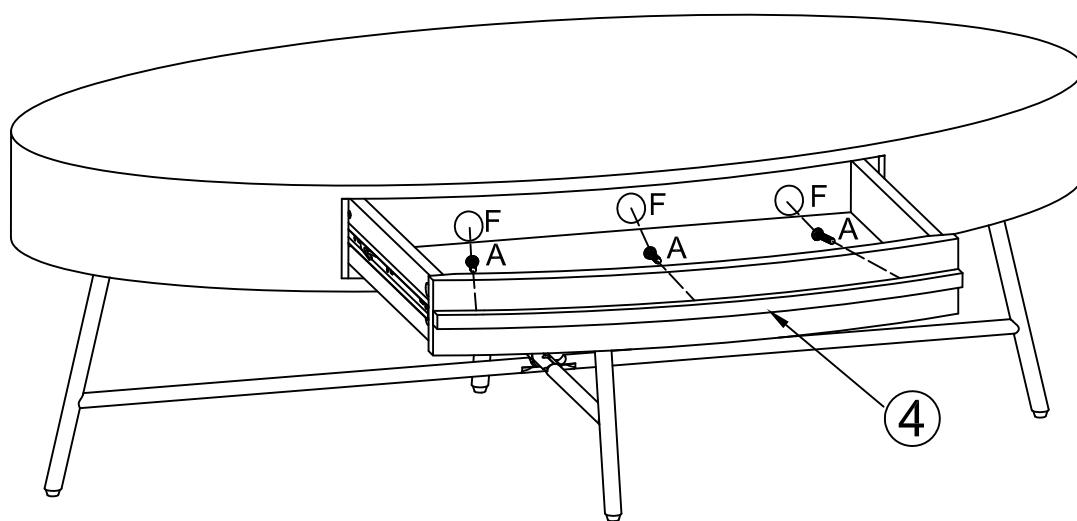





C	x4	D	x4	E	x1
M6*30mm				4#	

3



4



A	x3	E	x1	F	x3
					
M6*25mm		4#			