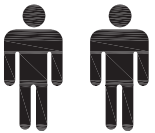
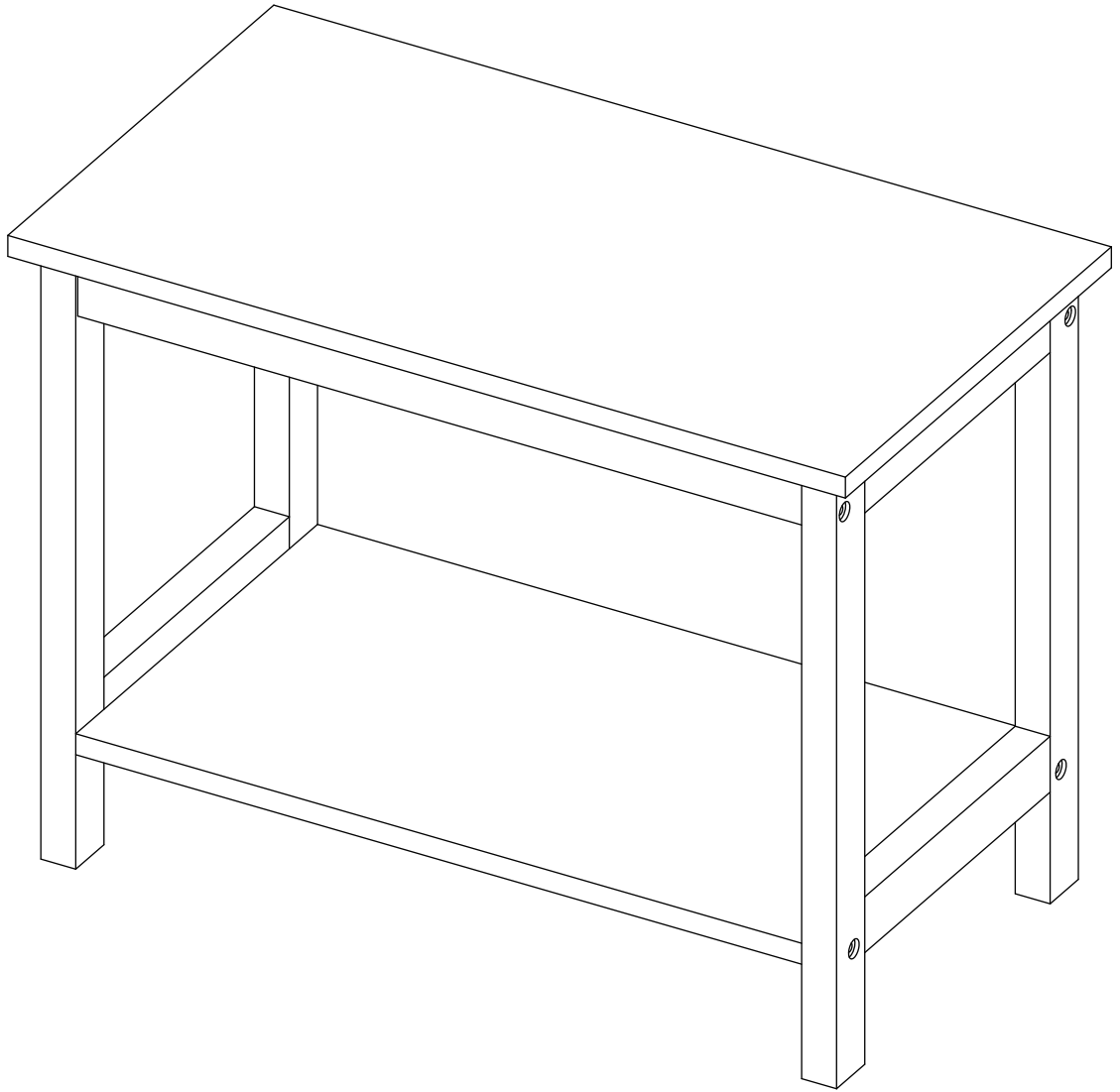
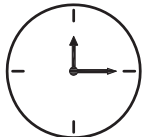


03350011-01



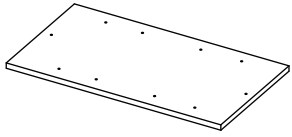
2 PERS.



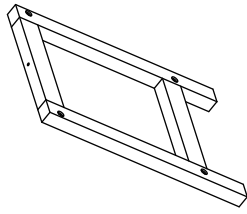
20 MIN



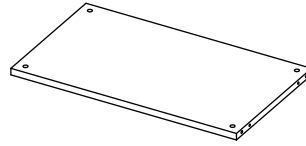
A x 1 pc



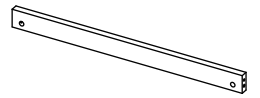
B x 2 pcs



C x 1 pc



D x 2 pcs



① x 8 pcs



② x 12 pcs



③ x 8 pcs



④ x 1 pc



⑤ x 6 pcs



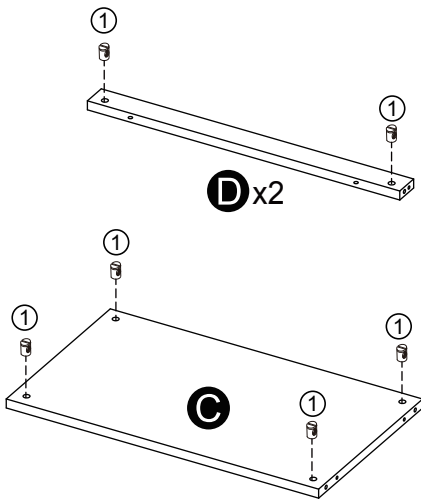
⑥ x 8 pcs



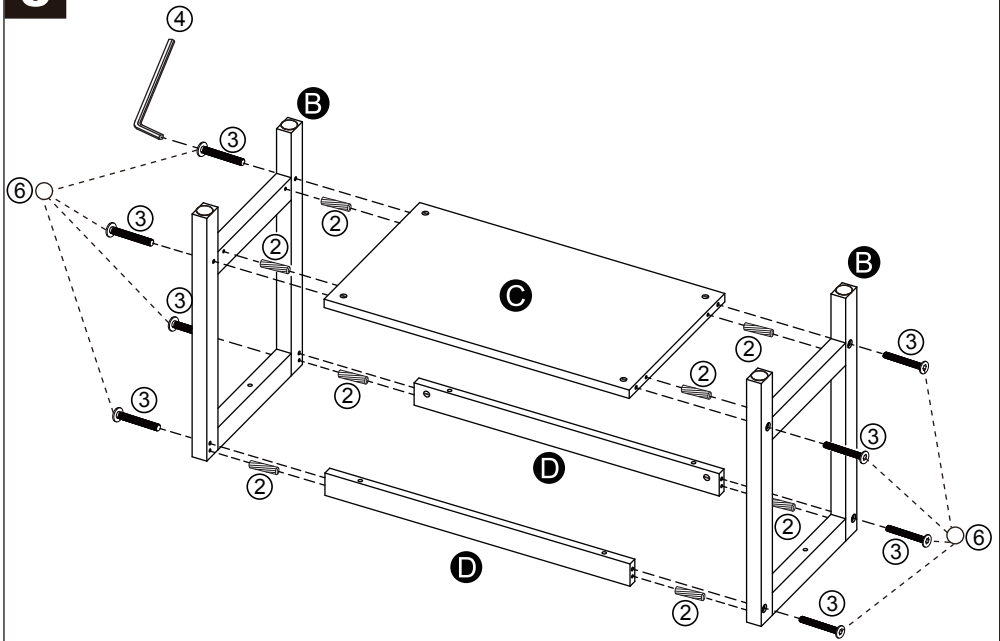
⑦ x 4 pcs



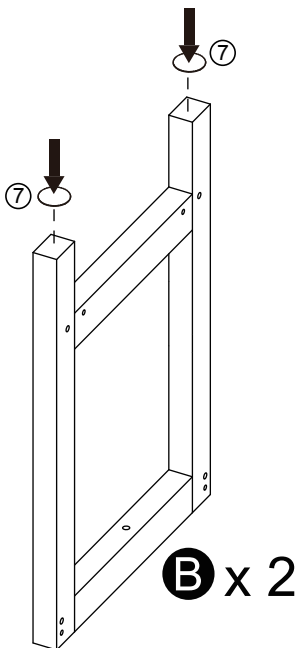
1



3



2



4

