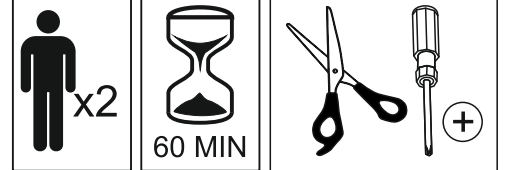
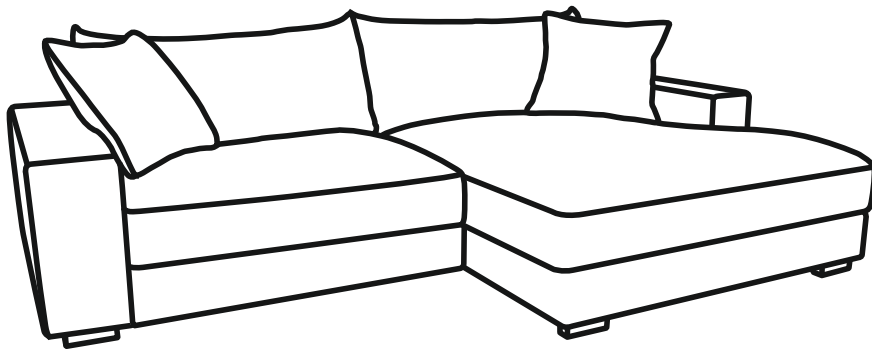


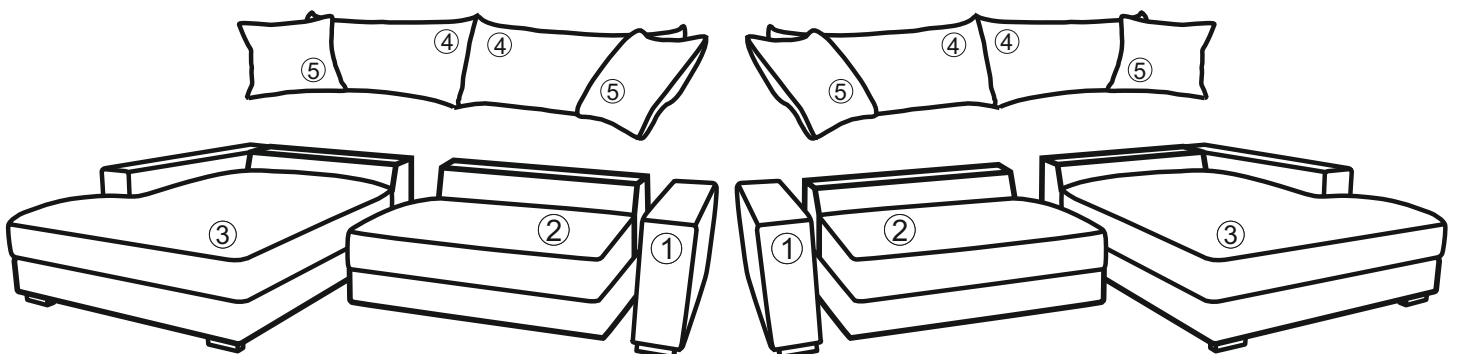
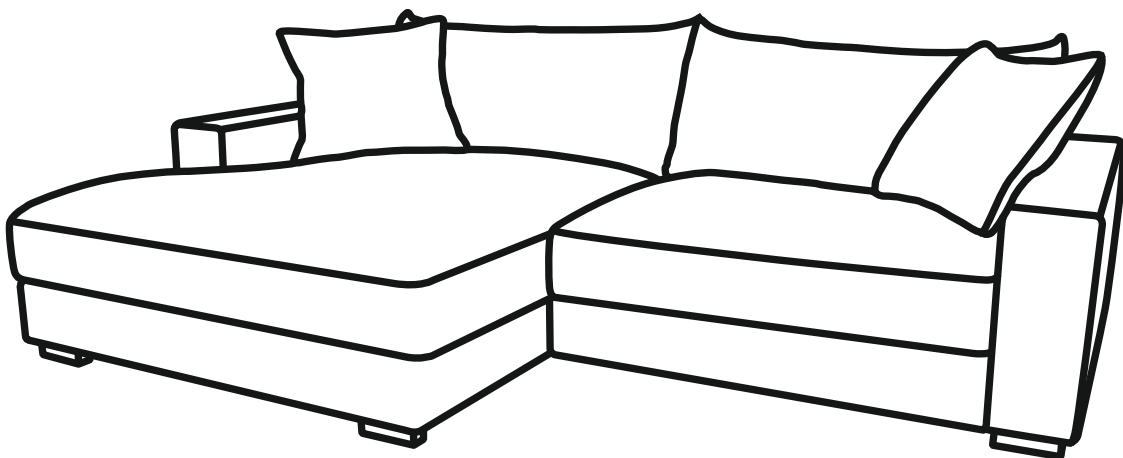
## MONTAGEANLEITUNG

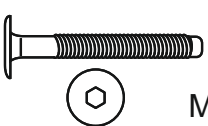
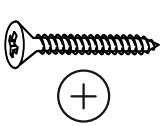
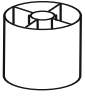
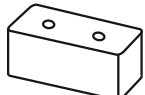
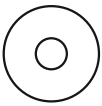


### PEDRO 3S.REC PEDRO REC.3S

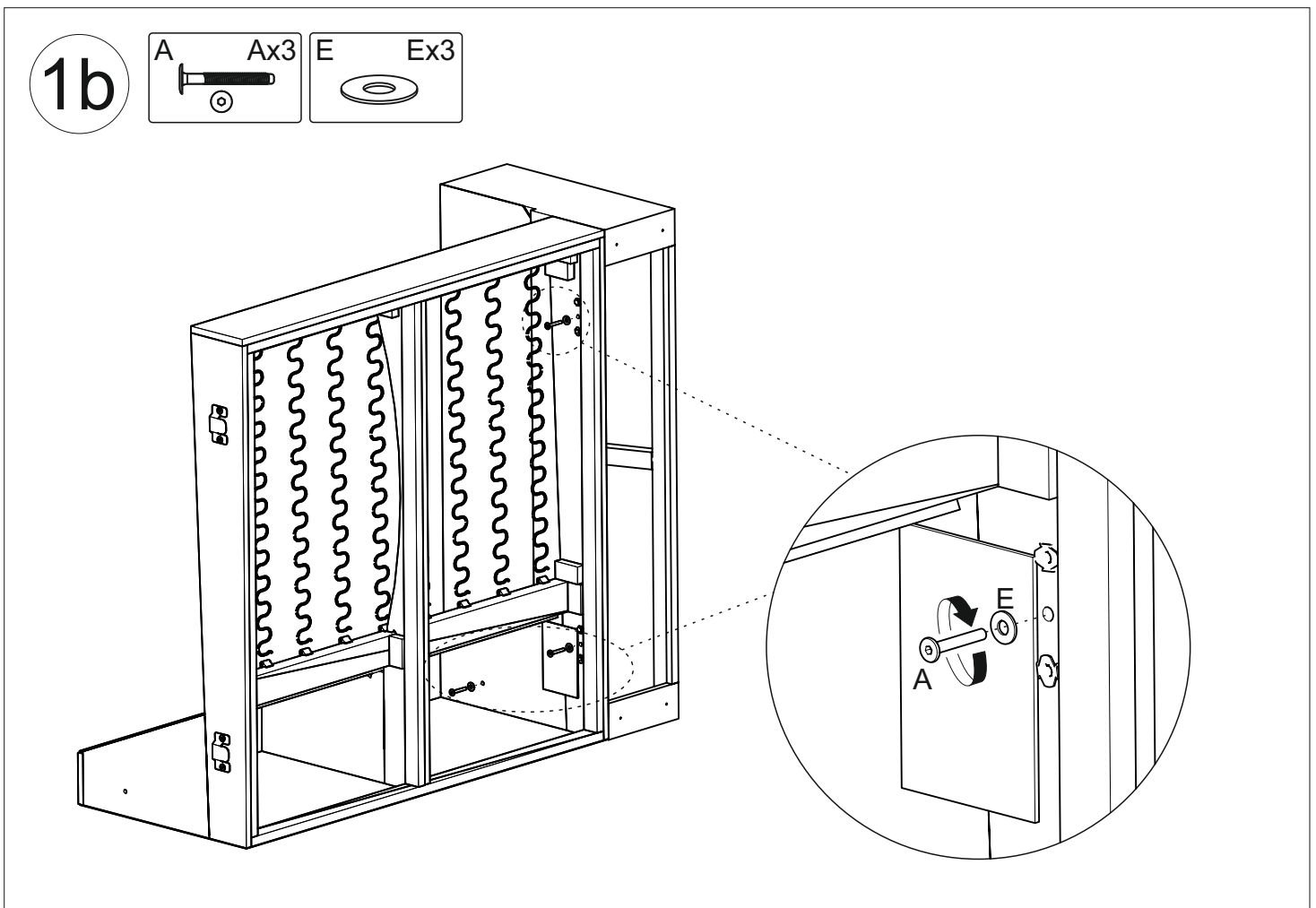
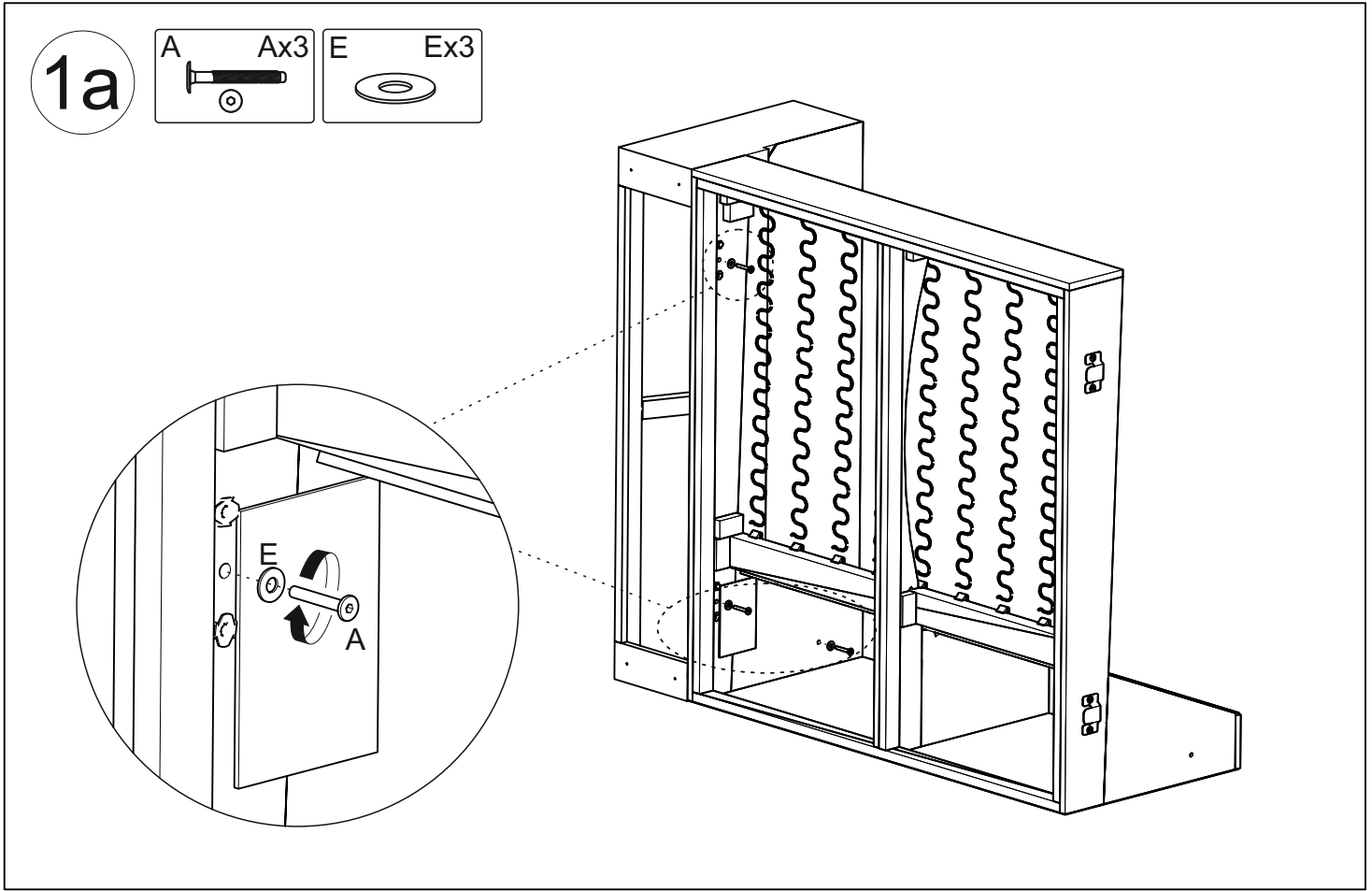
25-09/2023

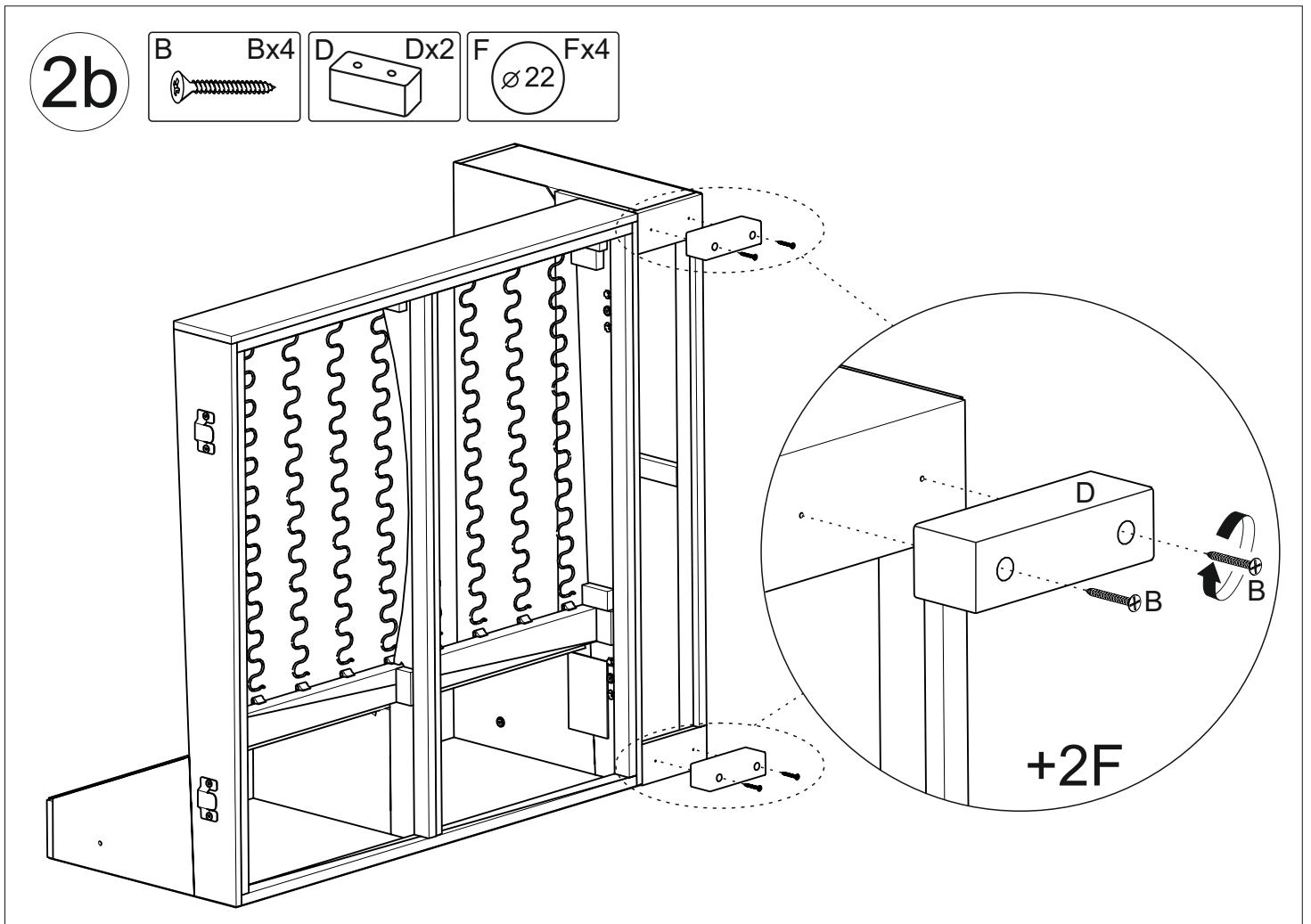
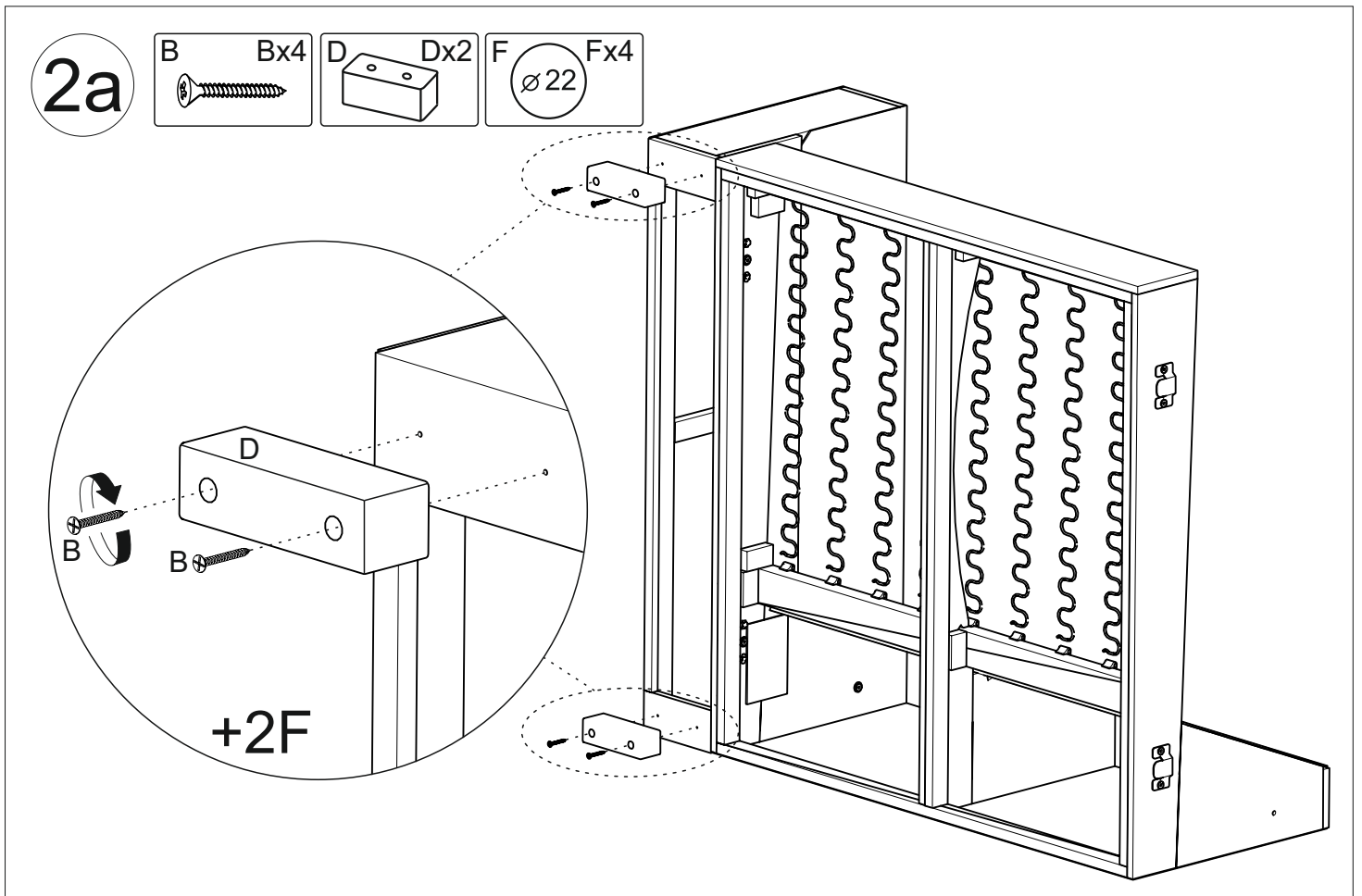


Vor der Montage bitte  
beiliegende Informationen  
beachten



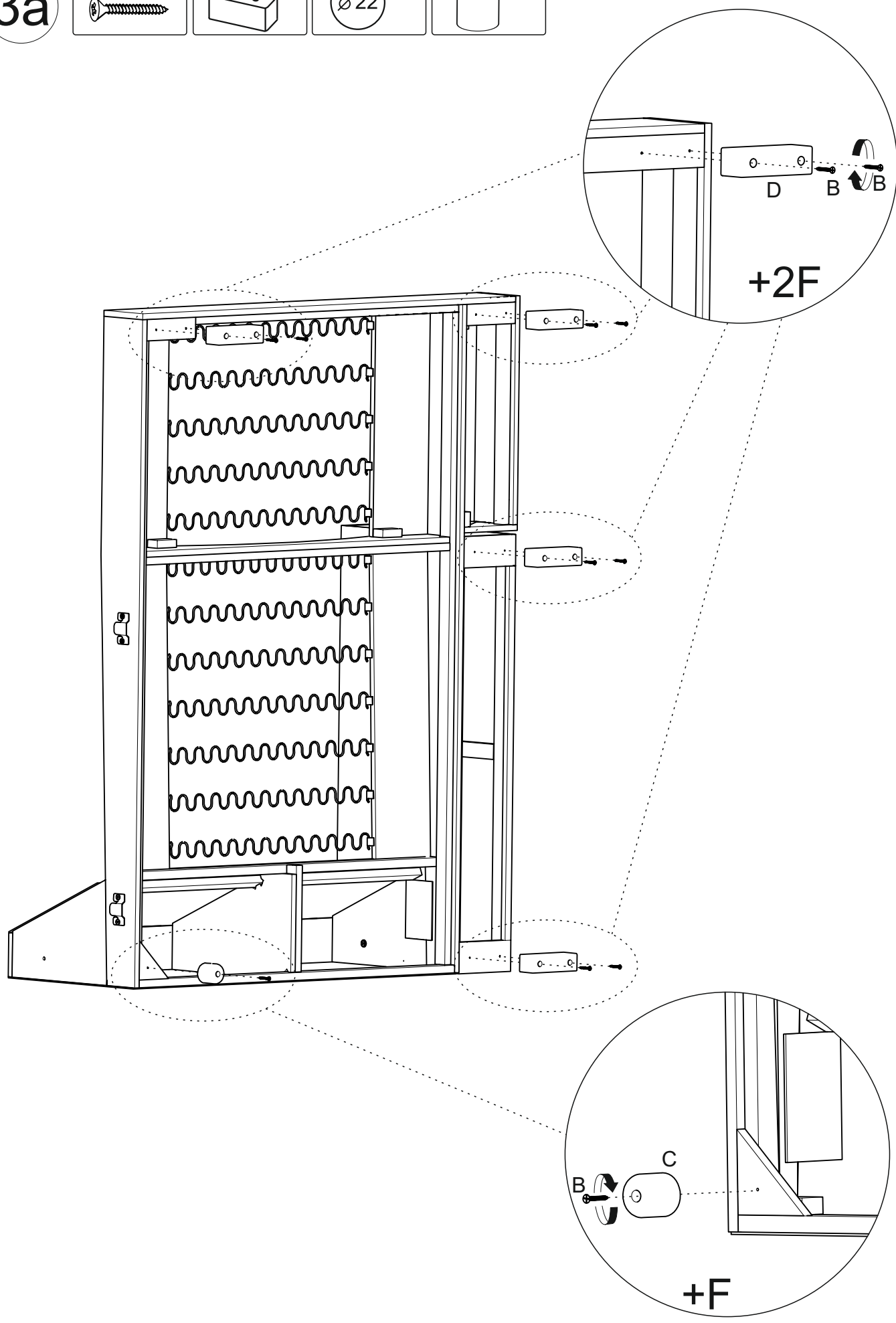
<p>A  Ax3 M6x40</p>	<p>B  Bx13 5x40</p>	<p>C  Cx1 Plastic leg</p>	<p>D  Dx6 Plastic leg</p>
<p>E  Ex3 M8x24</p>	<p>F  Fx13 Felt</p>	<p>G  Gx1 Key4</p>	



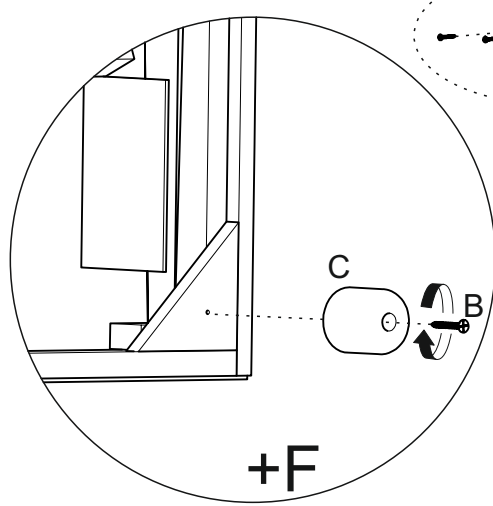
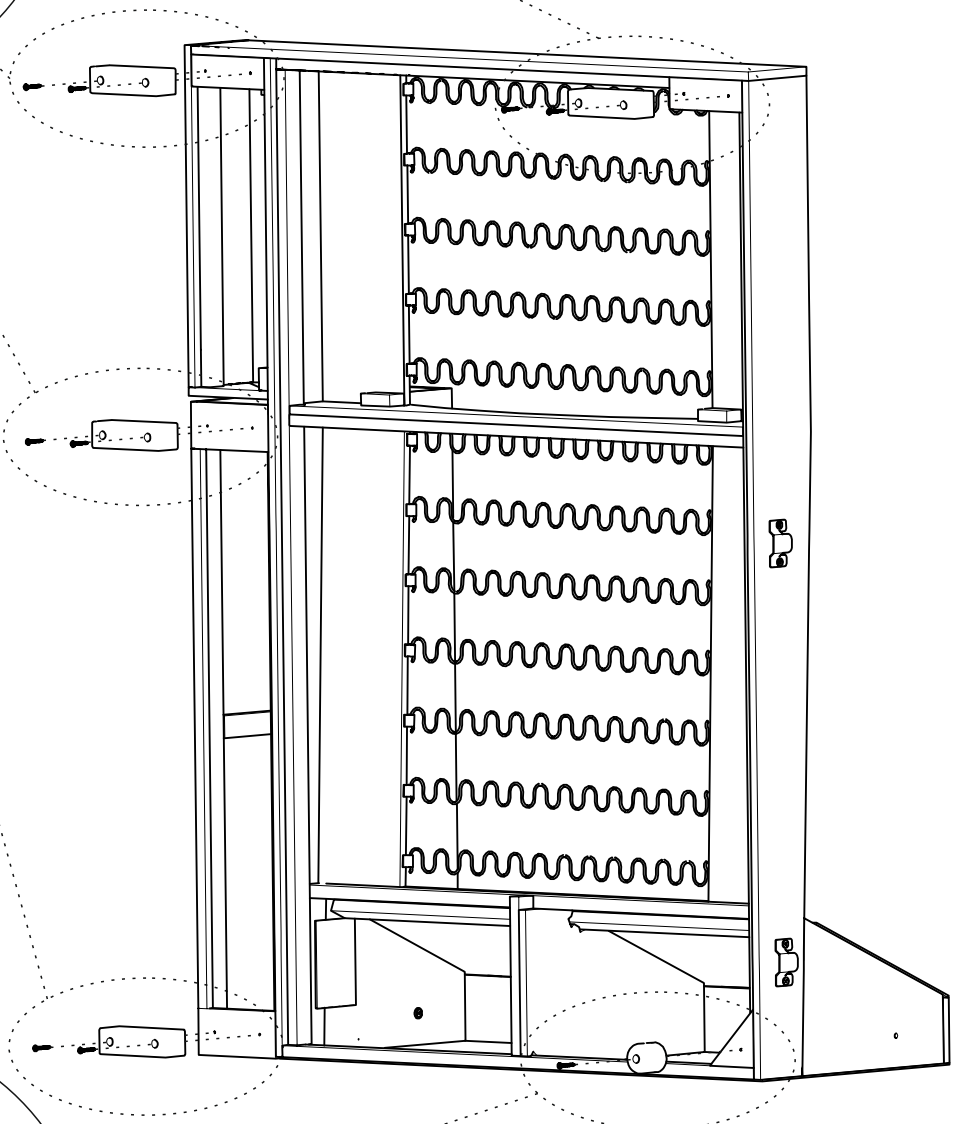
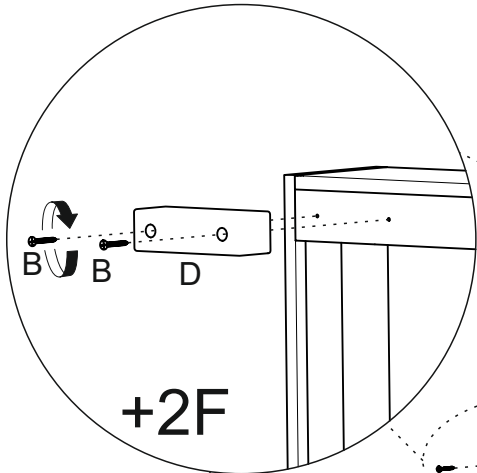
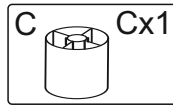
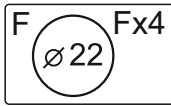
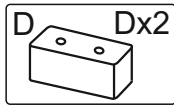
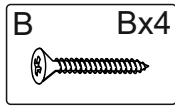


3a

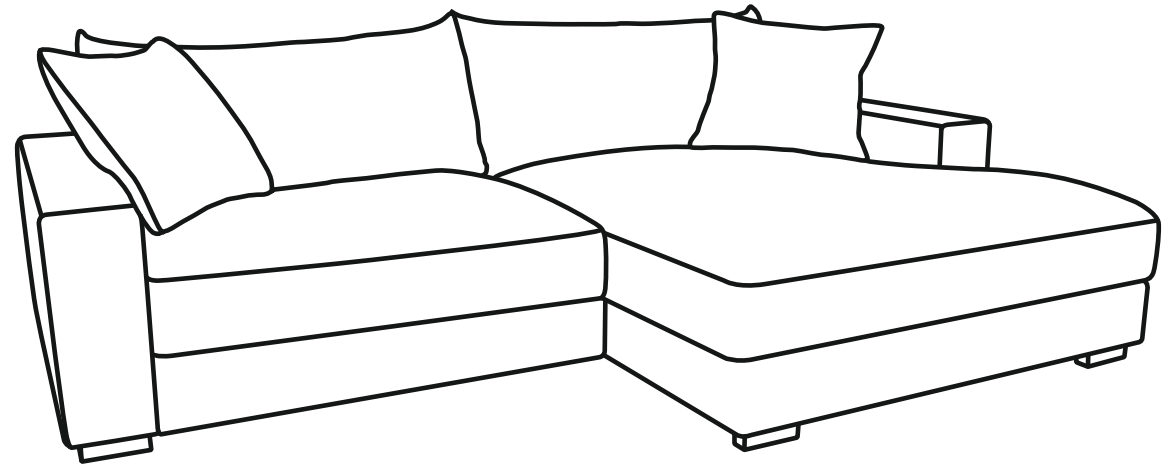
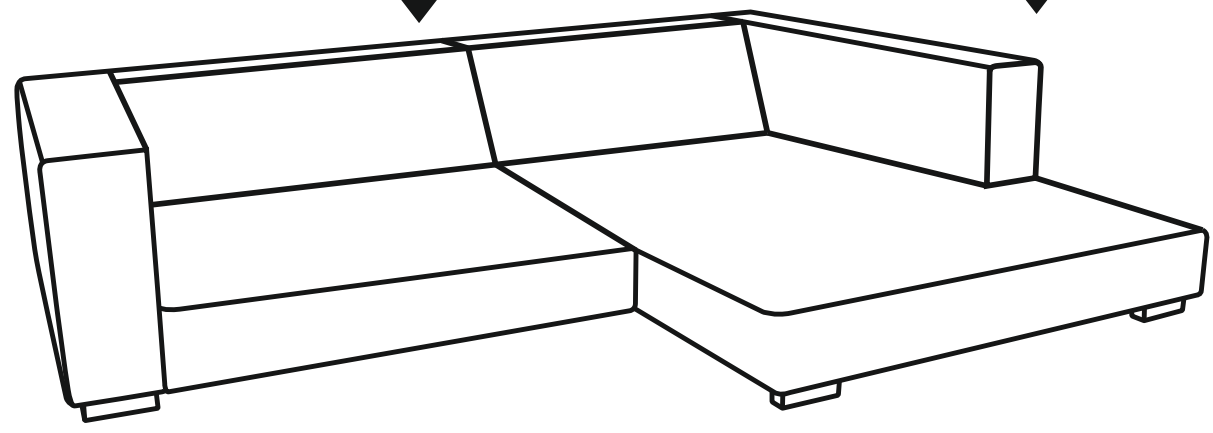
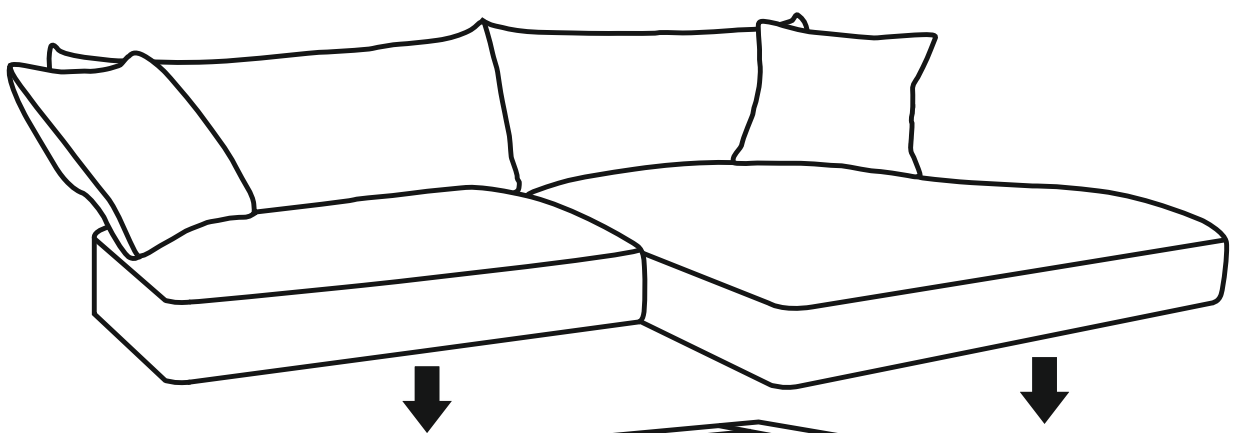
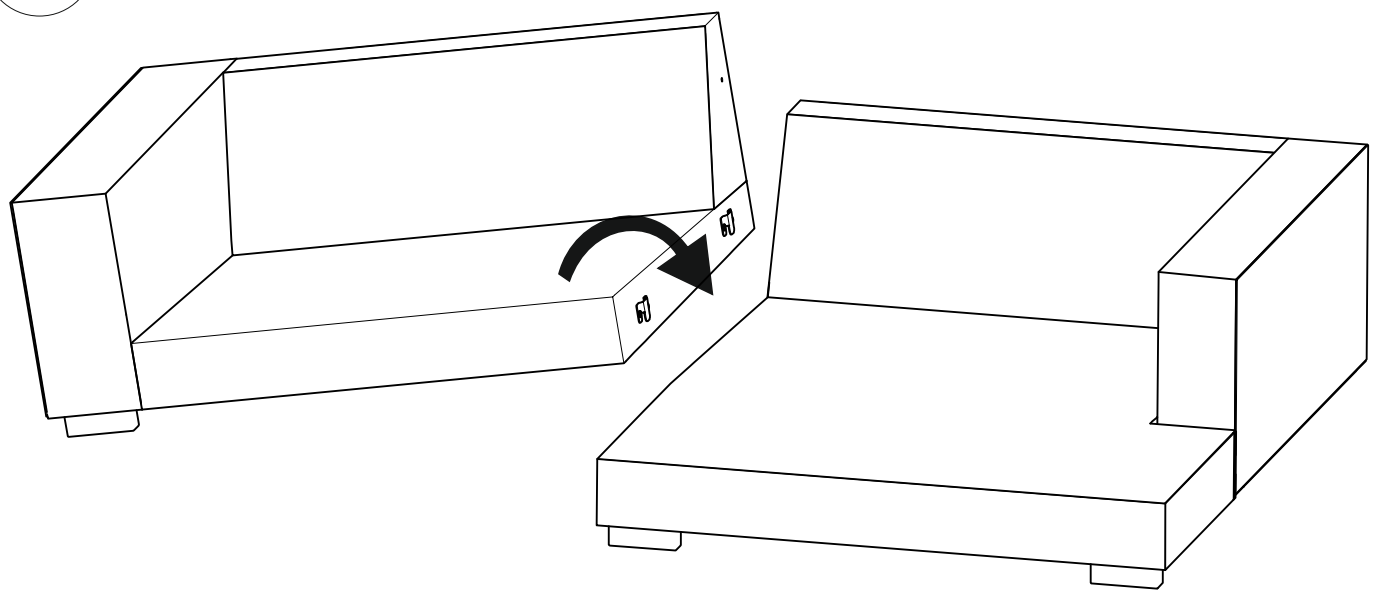
- B Bx4
- D Dx2
- F  $\varnothing 22$  Fx4
- C Cx1



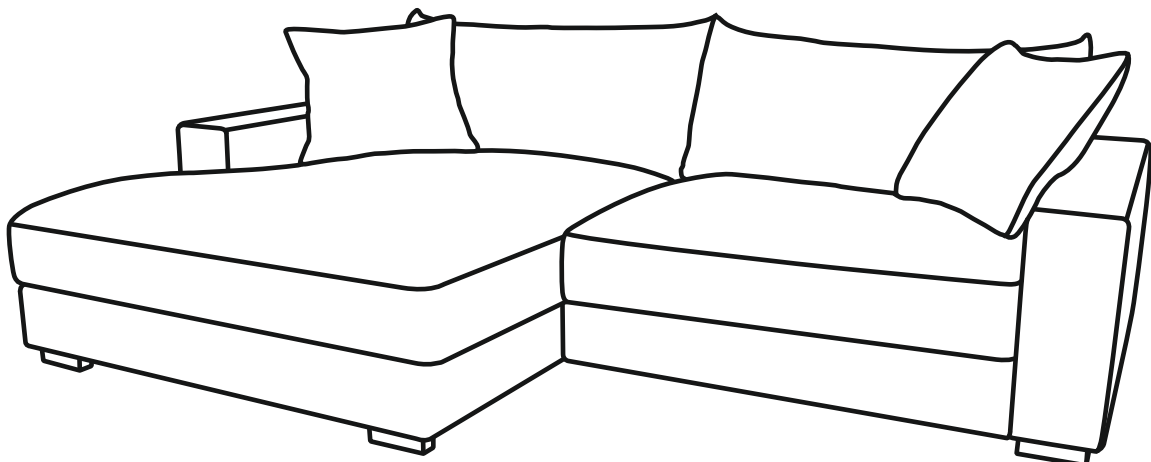
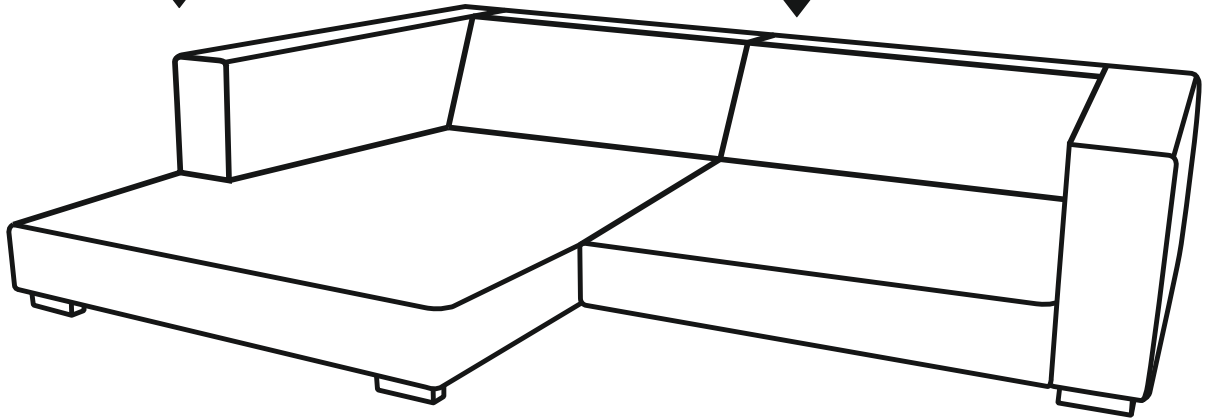
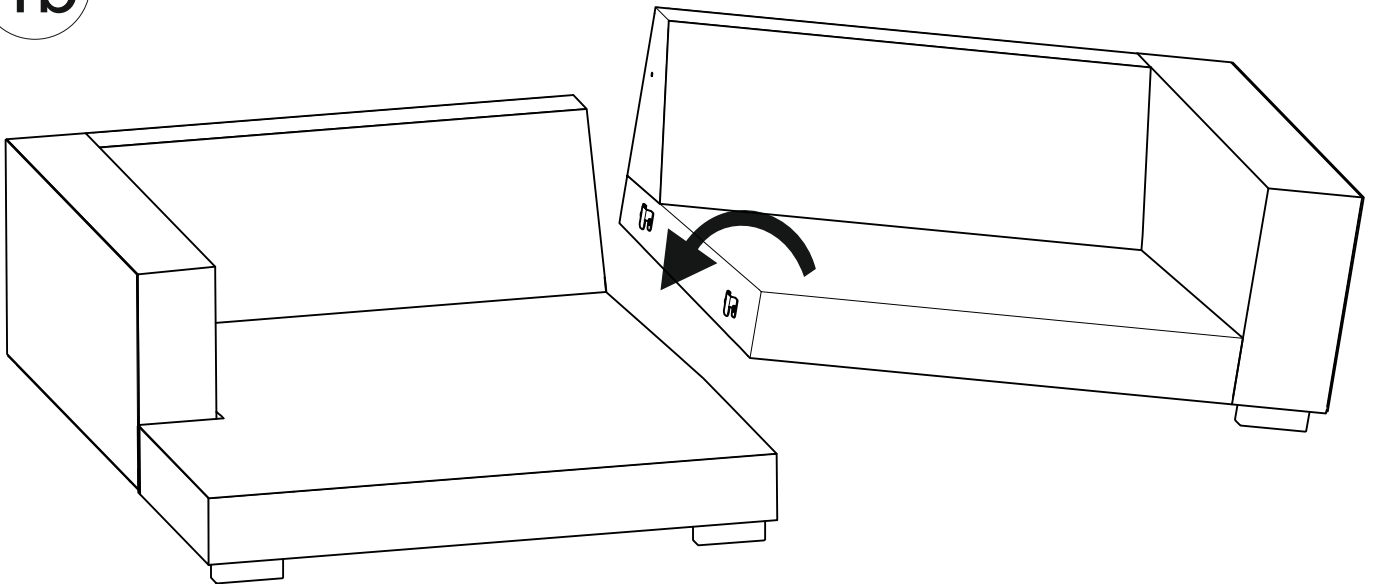
3b



4a



4b



# Attention!

