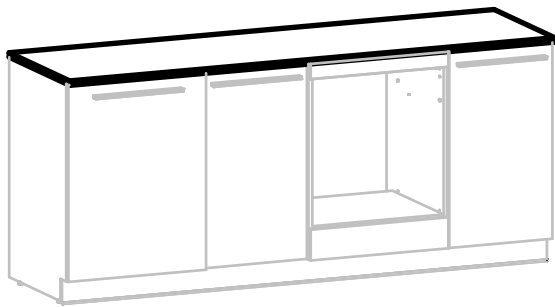
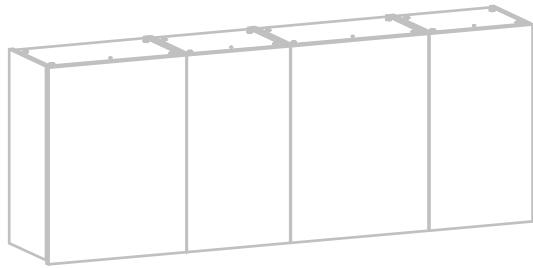
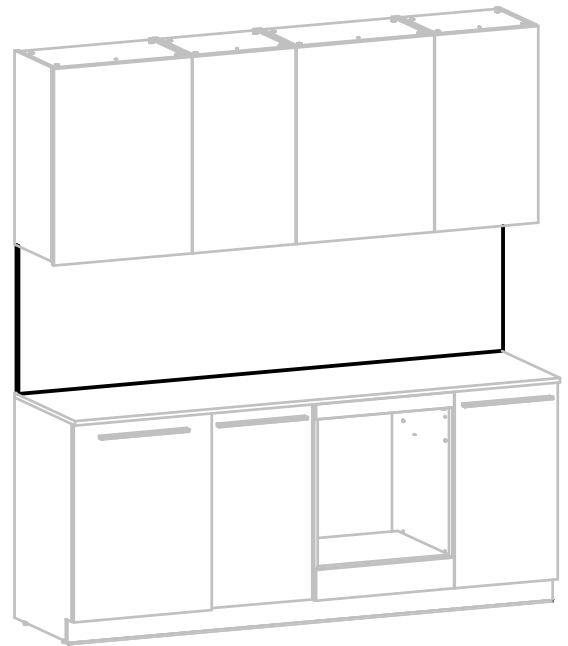


A

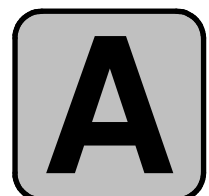
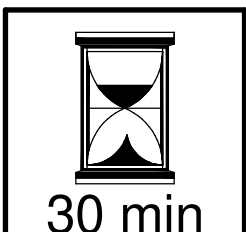
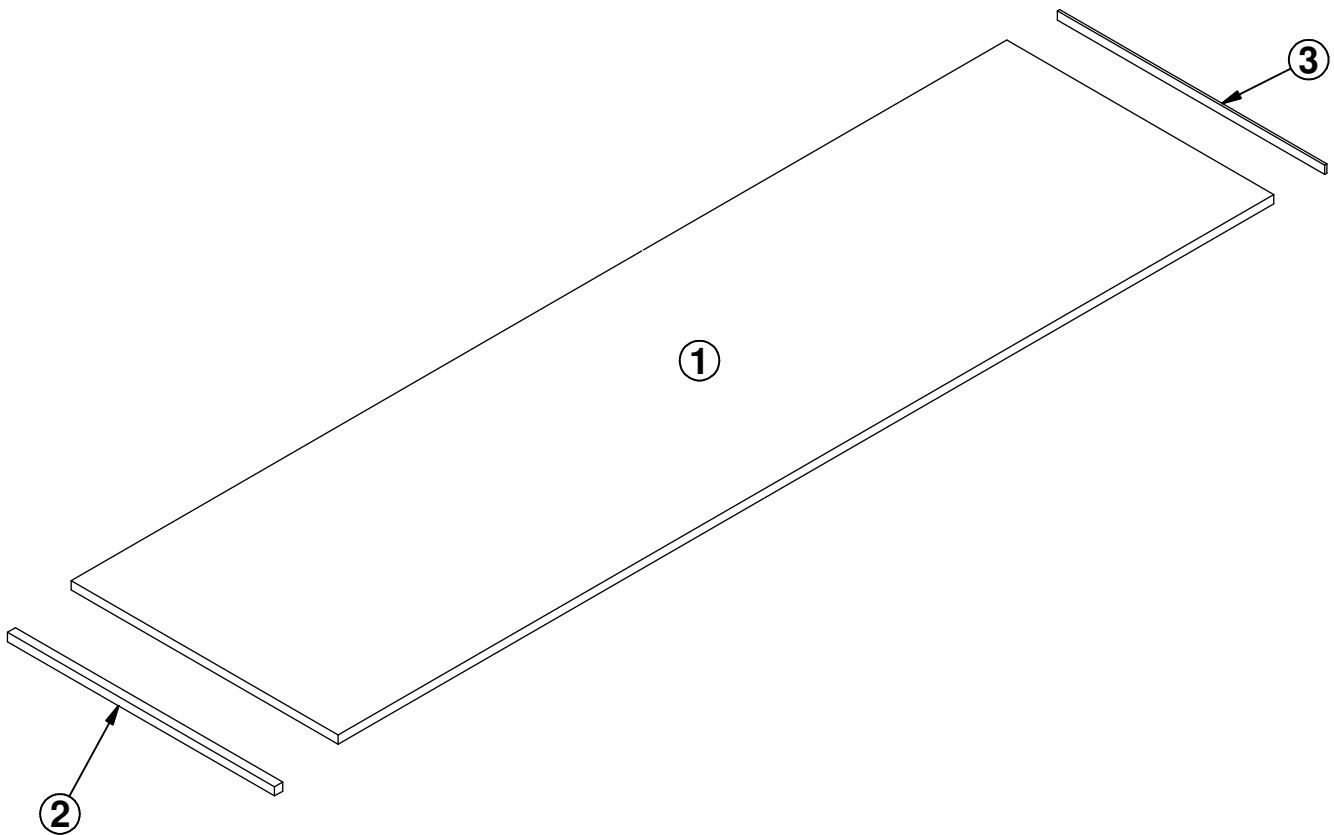
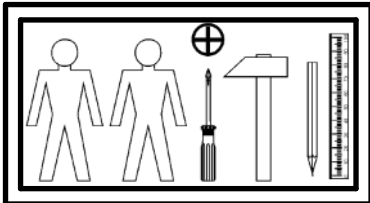
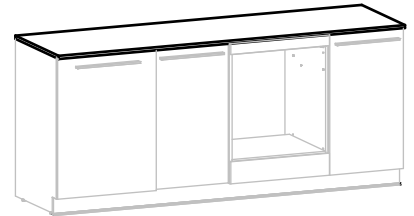
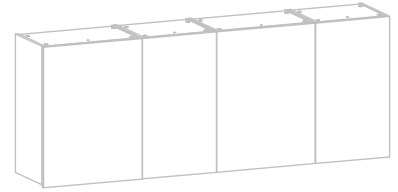
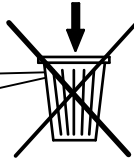


B



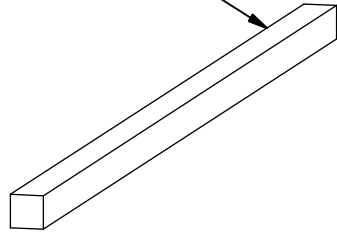
A**K49-BLA_210_60**

A	B	C	D
1	K49-2001	2101	600
2	K49-7001	600	18
3	K49-7002	600	18

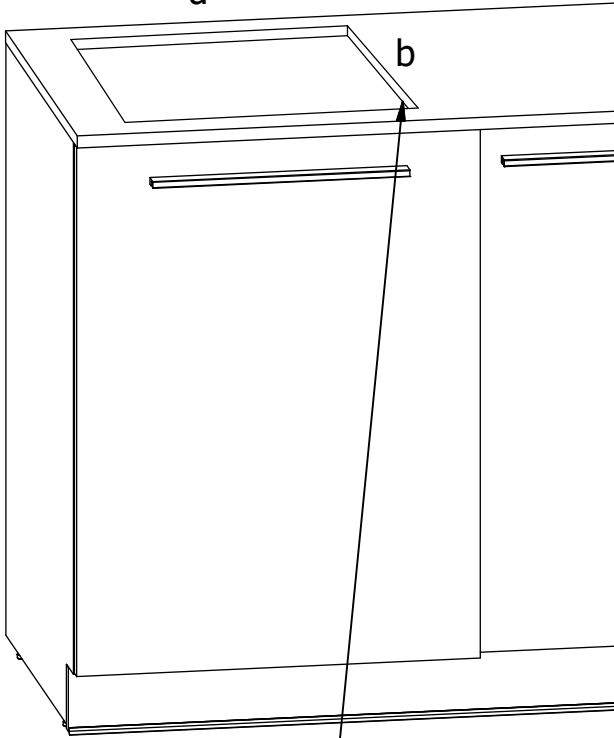


1

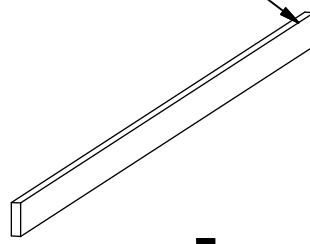
②



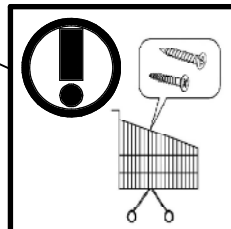
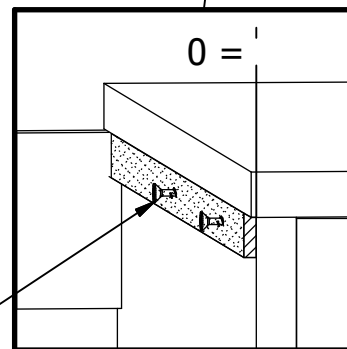
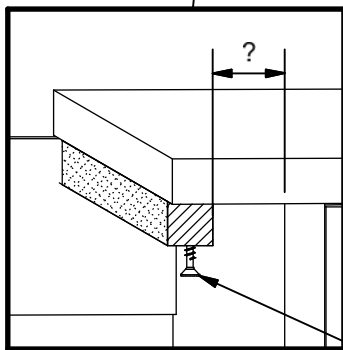
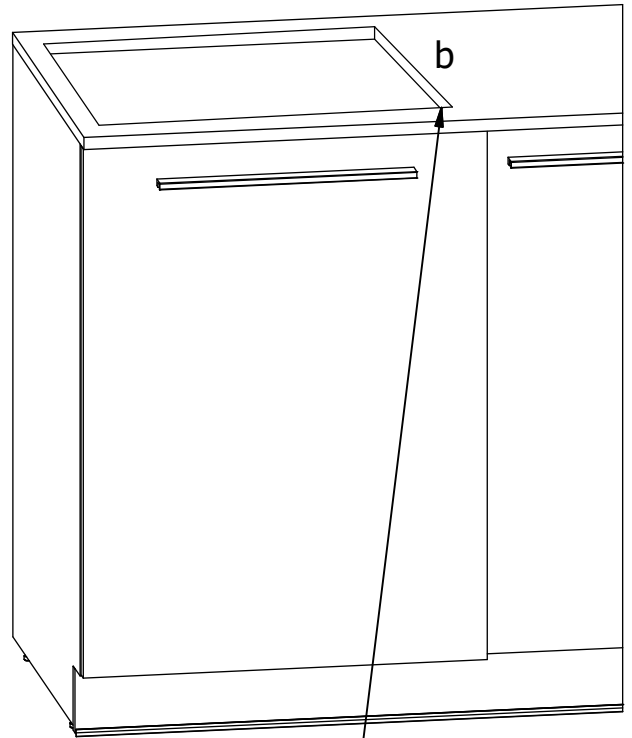
a



③

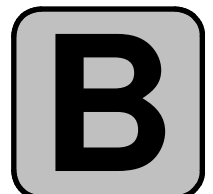
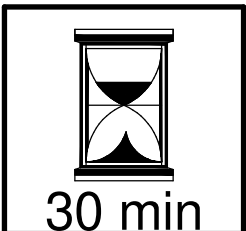
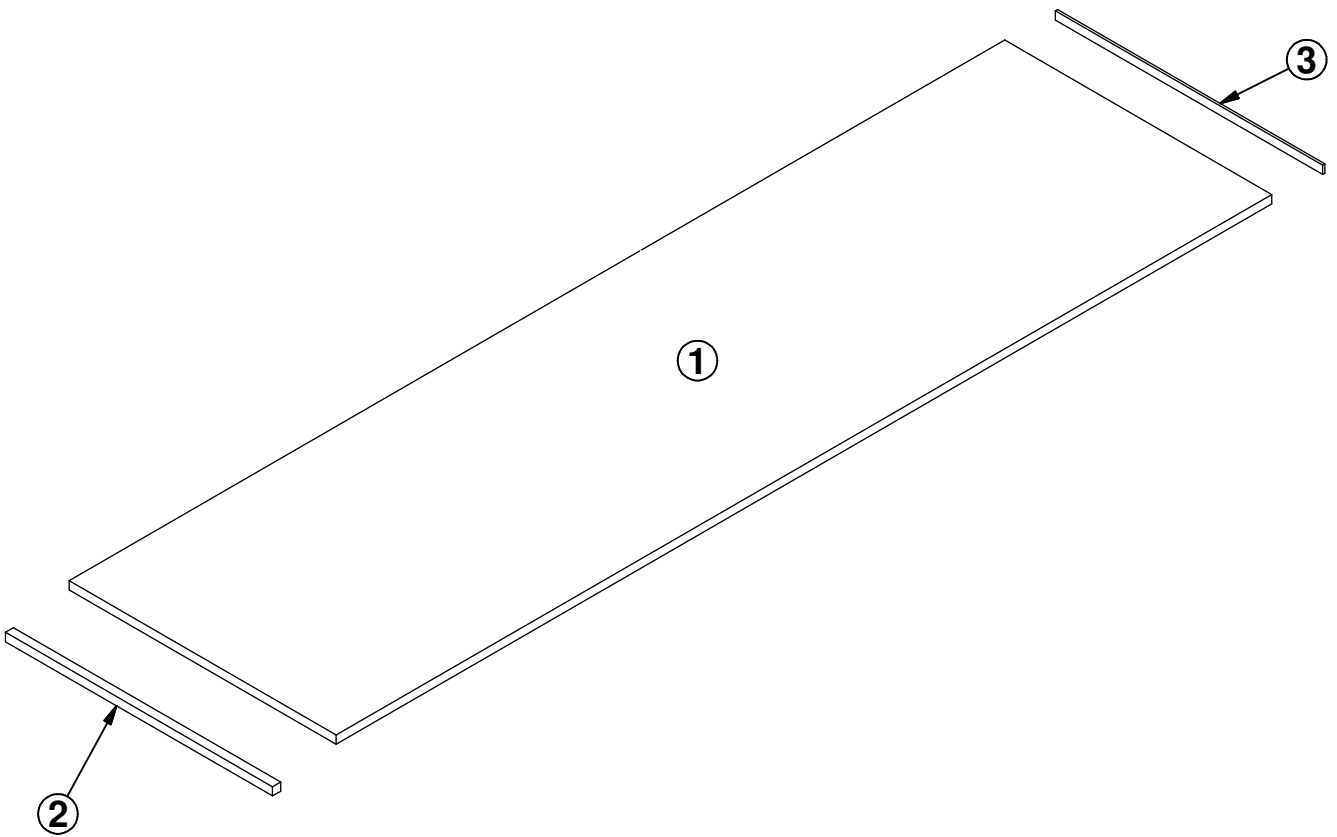
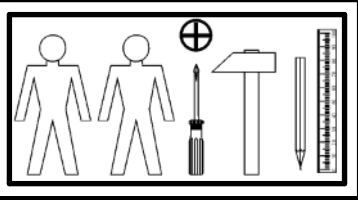
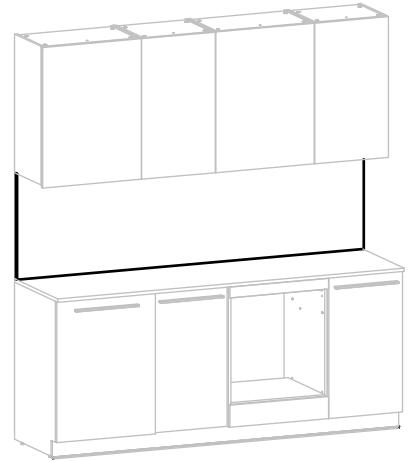


a+x



A**K49-BLA_210_60**

A	B	C	D
1	K49-2001	2101	600
2	K49-7001	600	18
3	K49-7002	600	18



2

