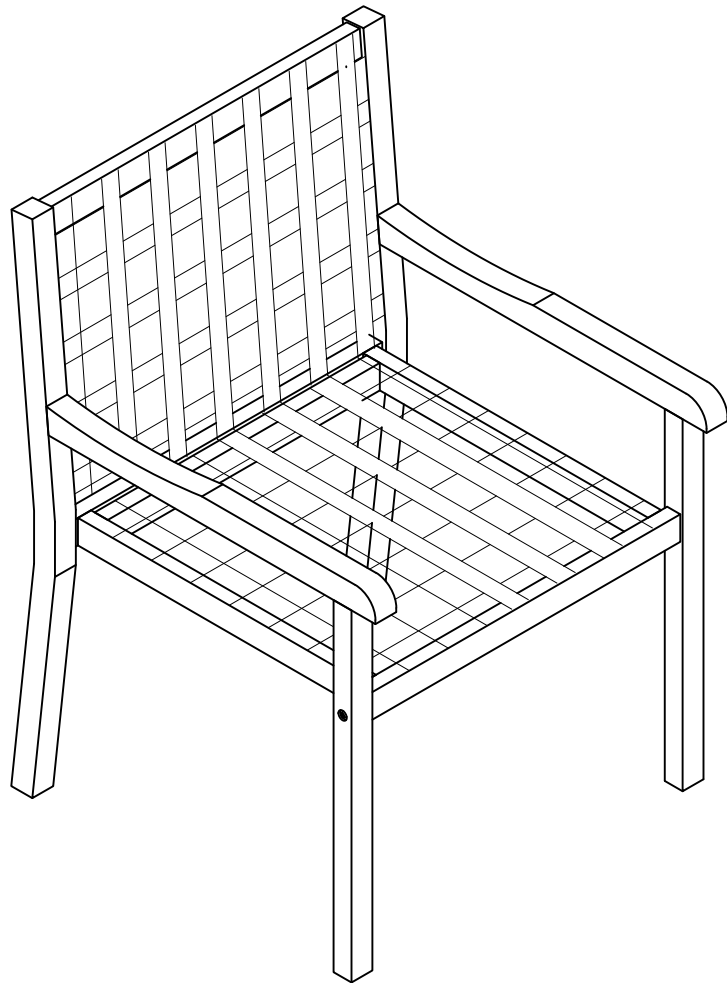
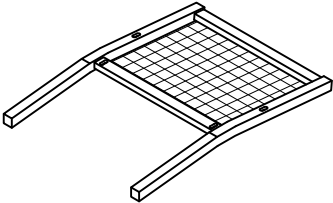
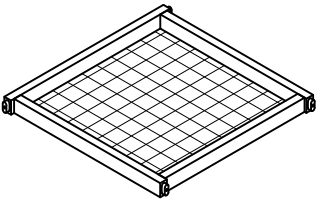
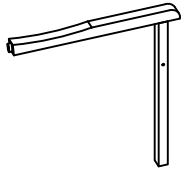
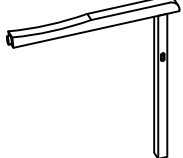


ASSEMBLY INSTRUCTION



Article Number: 20140221/01



PART LIST

| | |
|----------------------------------------------------------------------------------------------------------------|------------------------------------------------------------------------------------------------------------------|
| <p>A</p>  <p>x 1pc</p> | <p>B</p>  <p>x 1pc</p> |
| <p>C</p>  <p>x 1pc</p> | <p>D</p>  <p>x 1pc</p> |

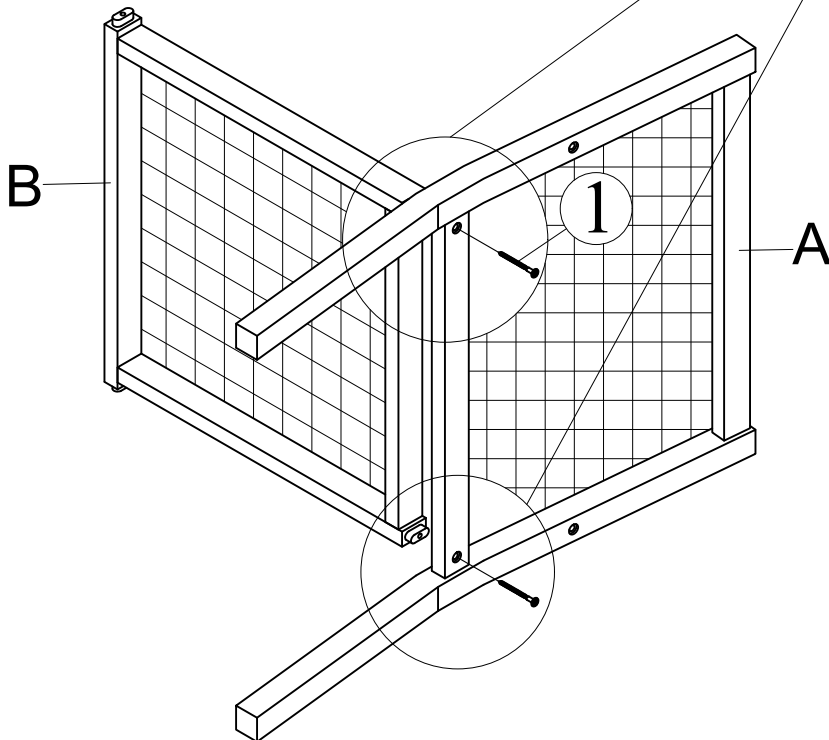
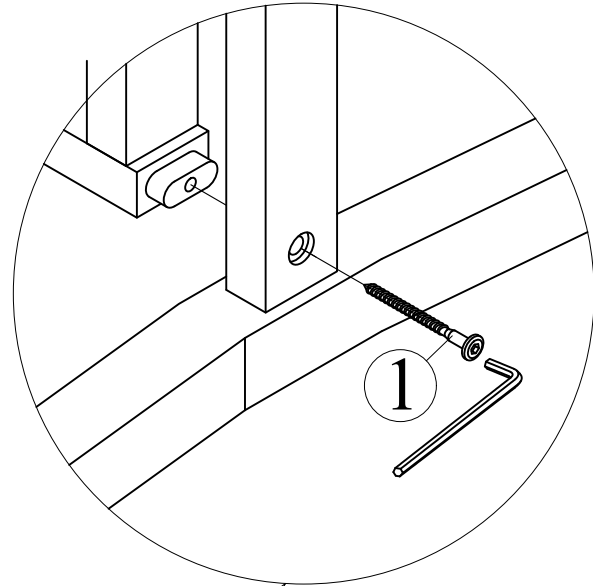
HARDWARE LIST

| | | | |
|---|-------------------------------------------------------------------------------------|---------|--------|
| 1 |  | M7 X 70 | 06 pcs |
| 2 |  | M4 | 01 pc |

Chair

| | | | |
|---|-----------------------------------------------------------------------------------|---------|--------|
| 1 |  | M7 X 70 | 02 pcs |
|---|-----------------------------------------------------------------------------------|---------|--------|

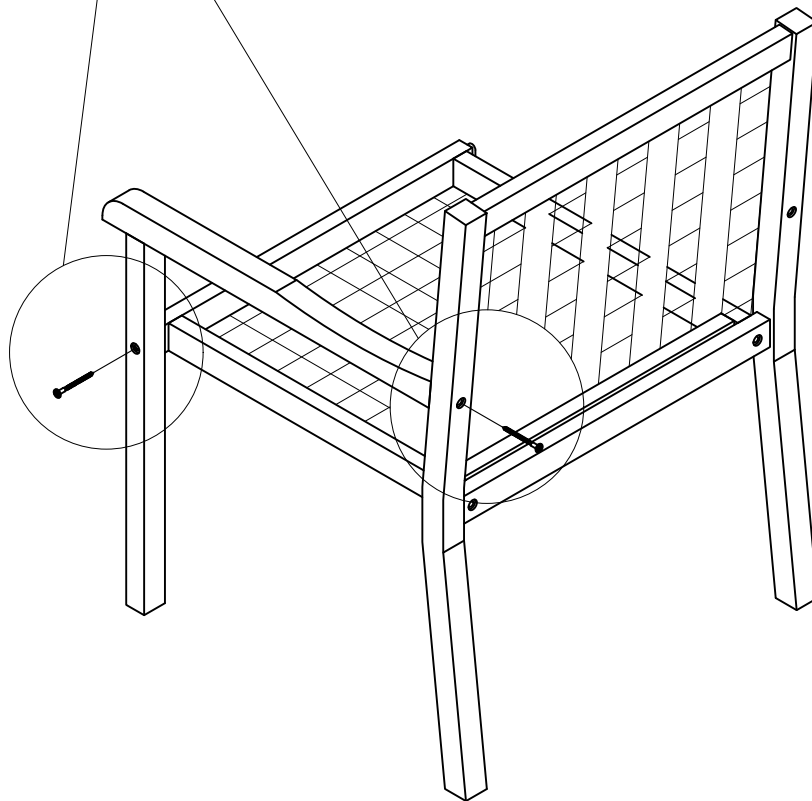
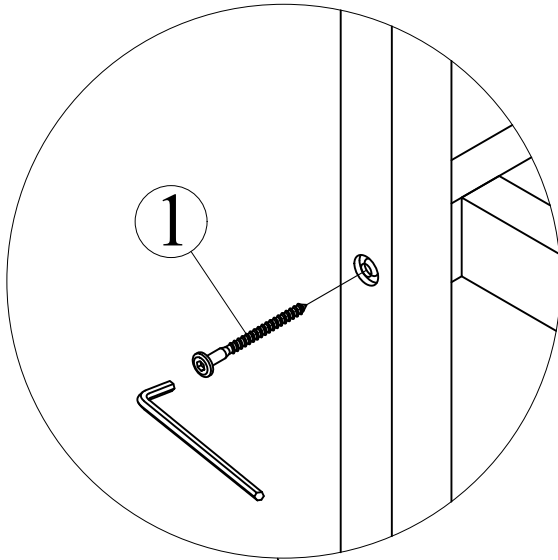
x 1



Chair

| | | | |
|---|-----------------------------------------------------------------------------------|---------|--------|
| 1 |  | M7 X 70 | 02 pcs |
|---|-----------------------------------------------------------------------------------|---------|--------|

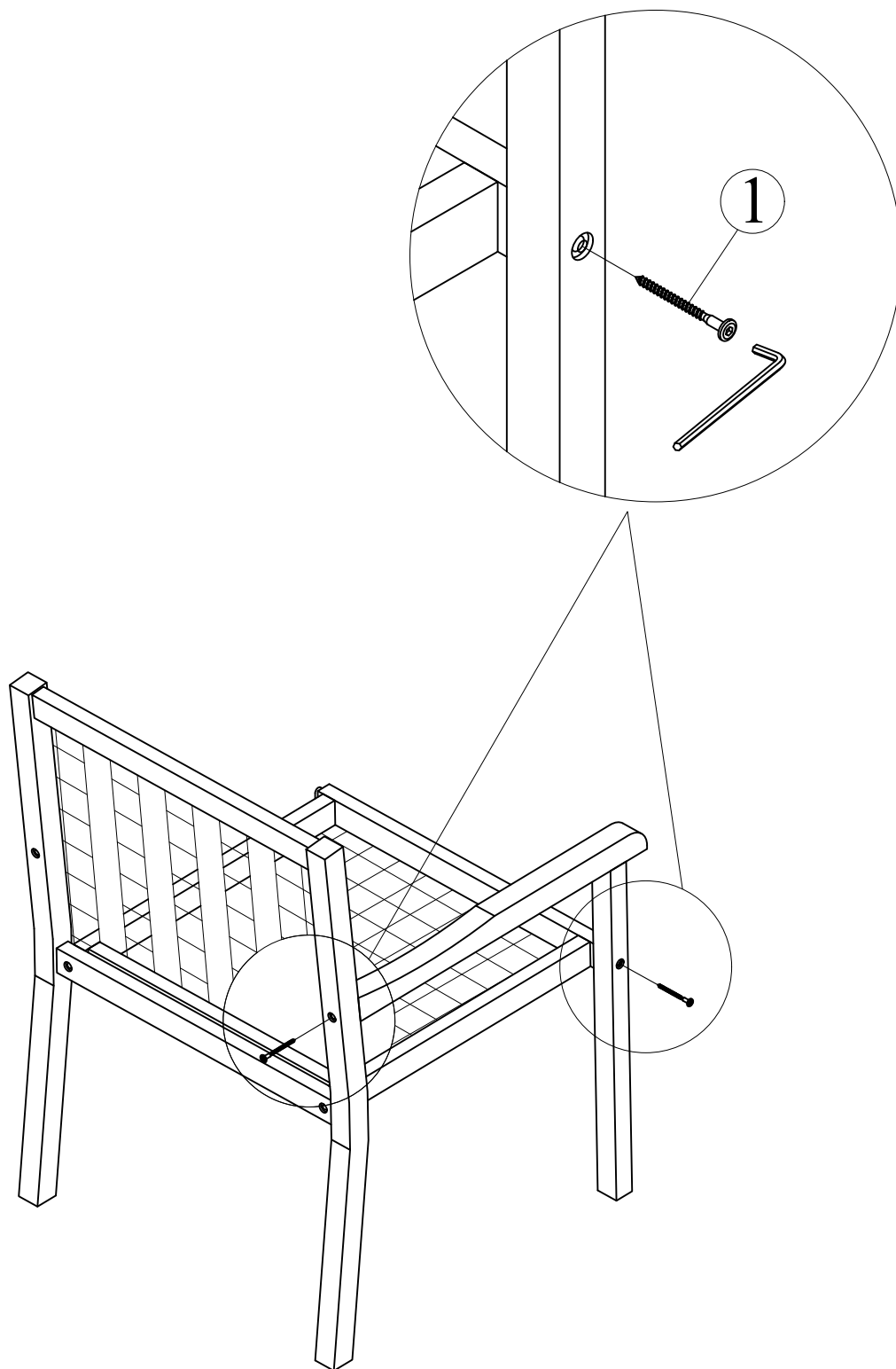
x 1

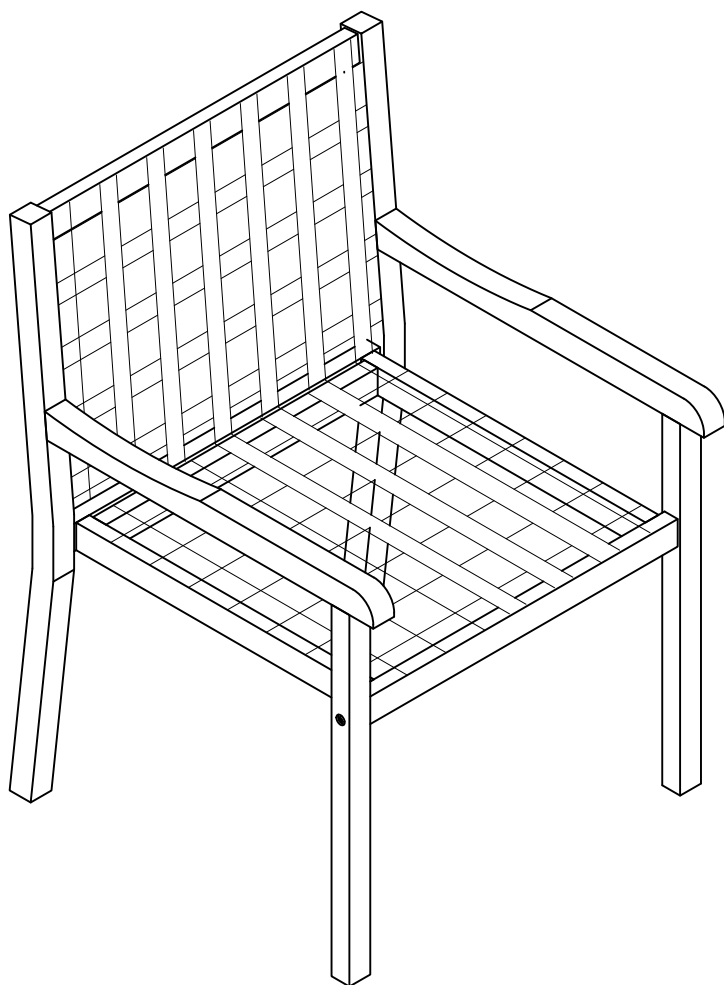


Chair

| | | | |
|---|-----------------------------------------------------------------------------------|---------|--------|
| 1 |  | M7 X 70 | 02 pcs |
|---|-----------------------------------------------------------------------------------|---------|--------|

x 1





FINISHED