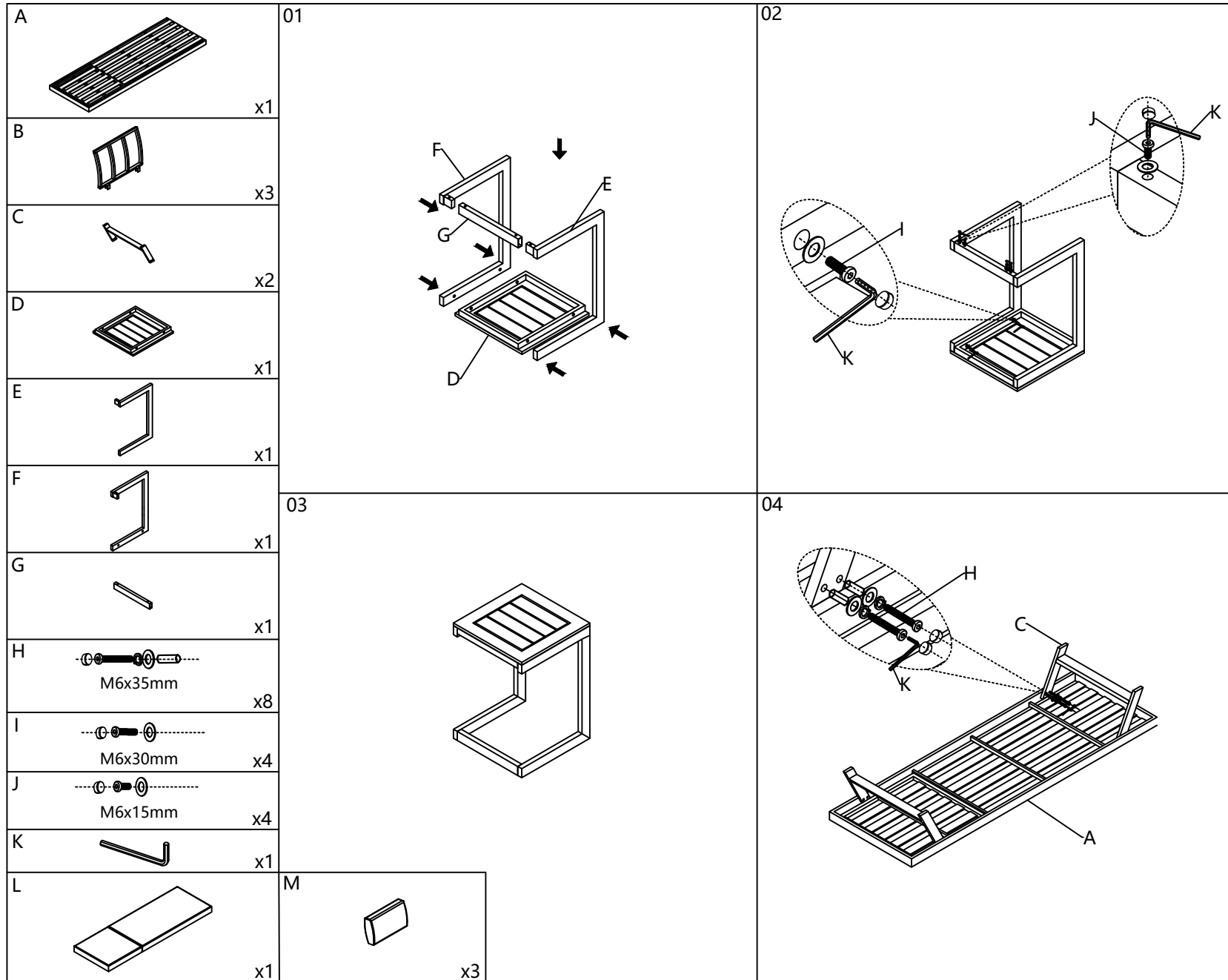

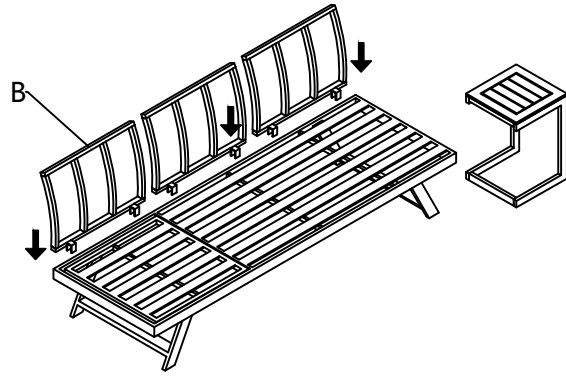


28450036-01
 28450036-02
 28450036-03

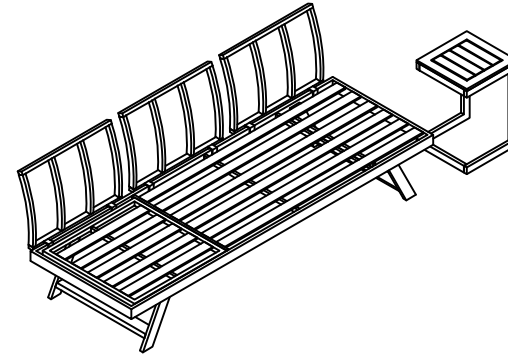



1 Person 15min

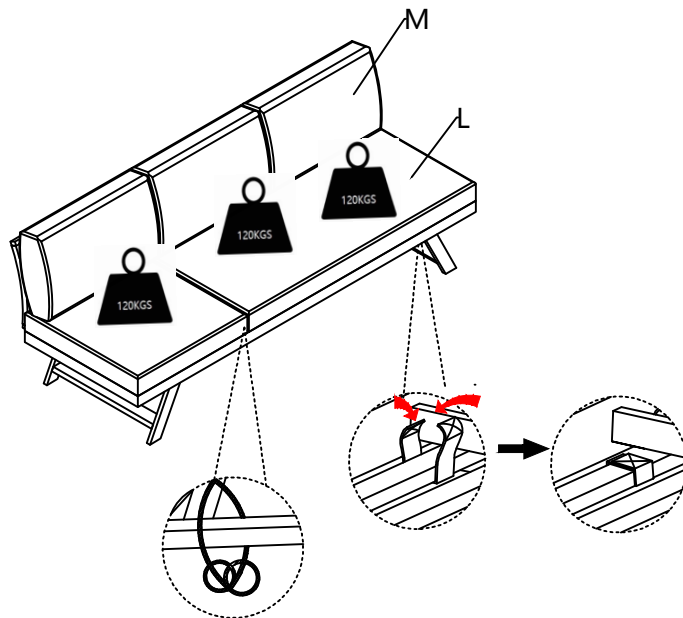
05



06



07



08

