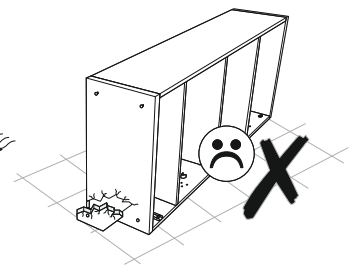
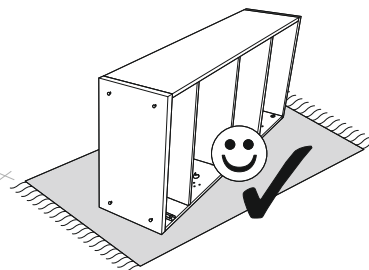
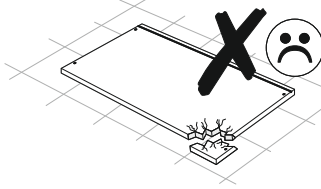
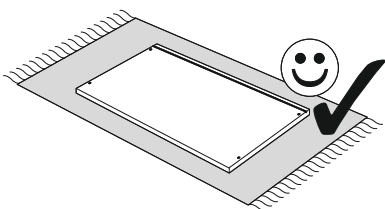
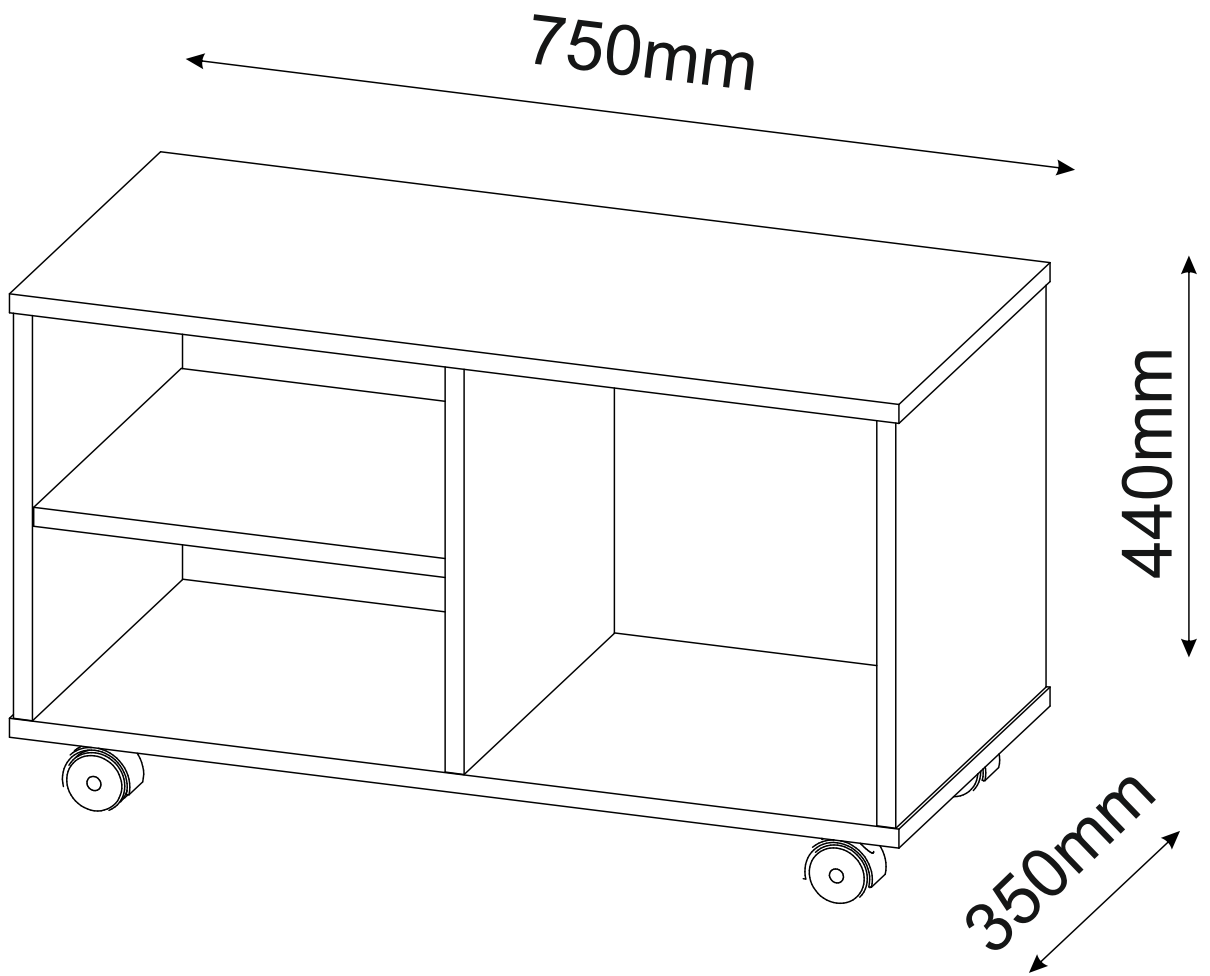
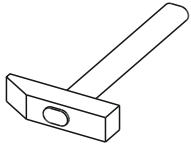
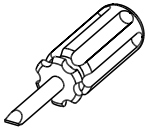
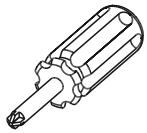
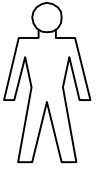
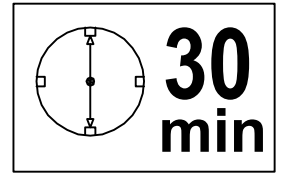
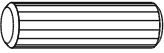





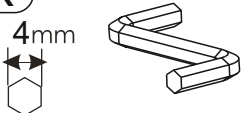
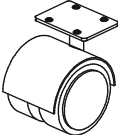
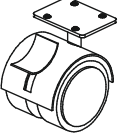
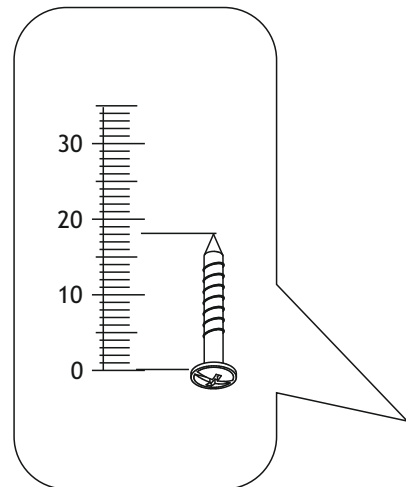
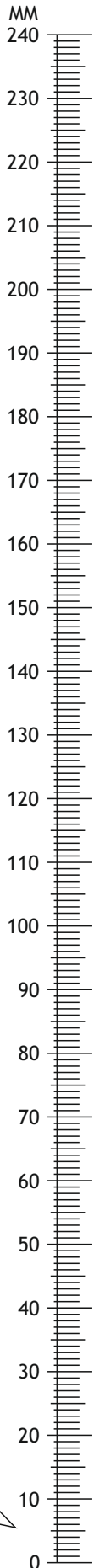


Phonotish Flip II

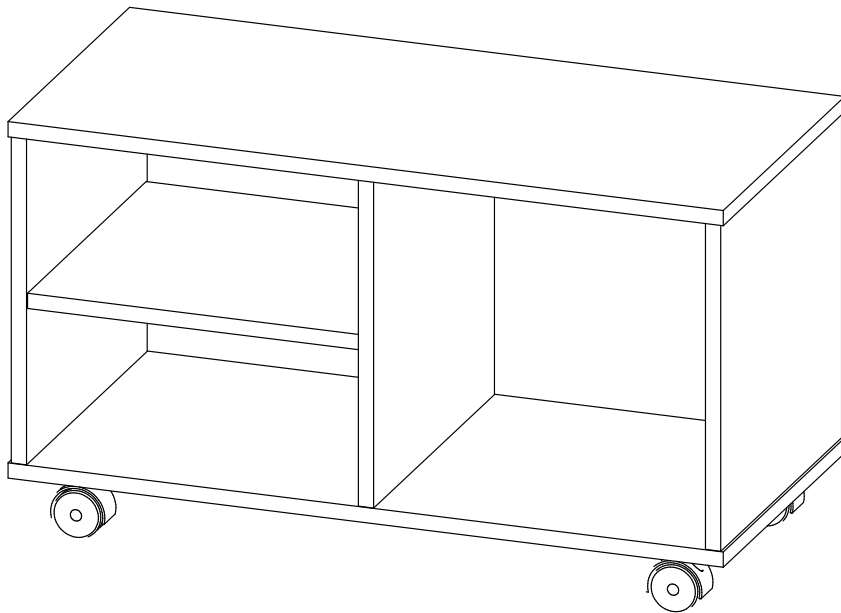



Phonotish Flip II

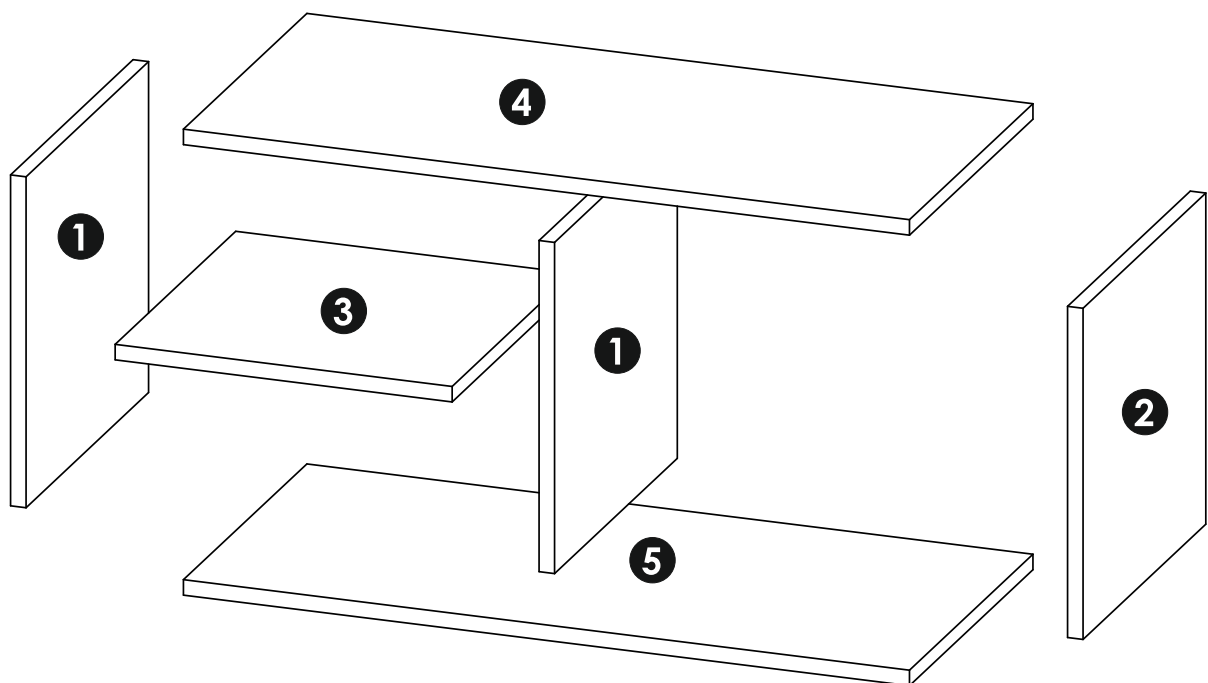
A0 8 x 30mm 	B1 f 7 x 50 mm 	C0 
C2 	C7 16mm 	D5 3.5 x 16 mm 
K 4mm 	T6 	T7 

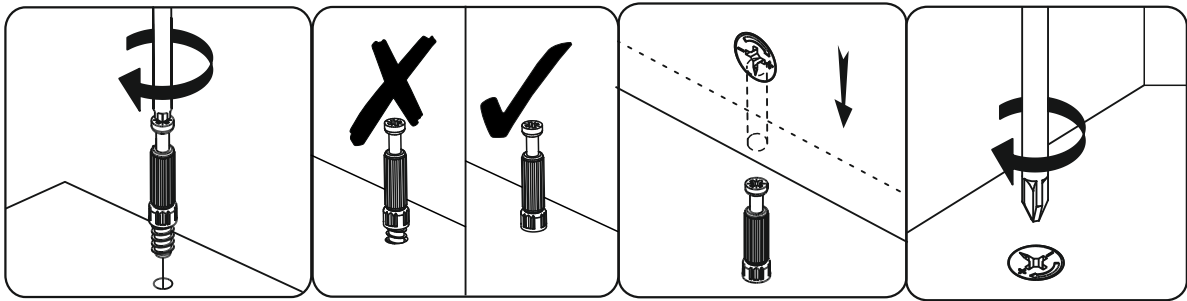


Phonotish Flip II






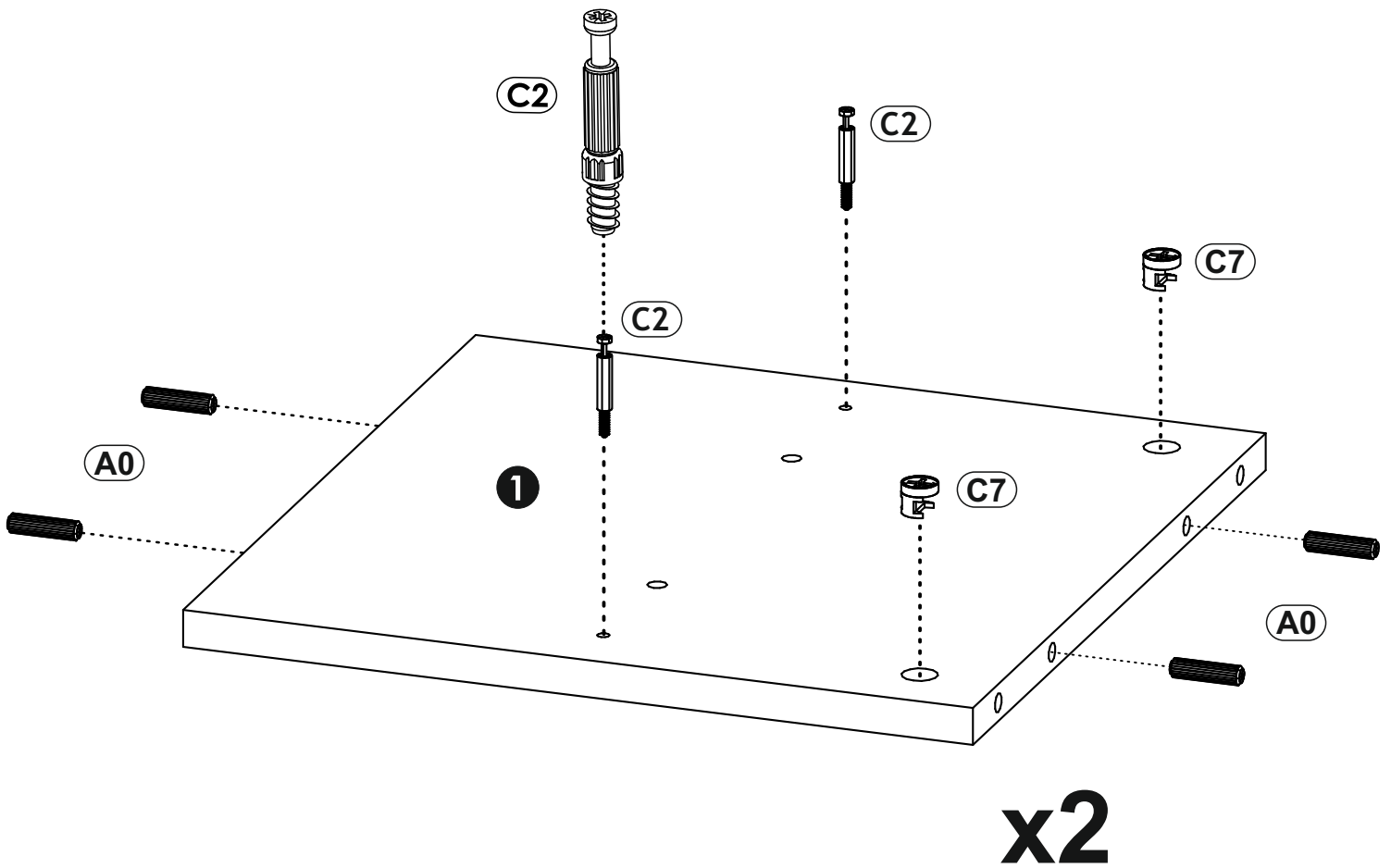
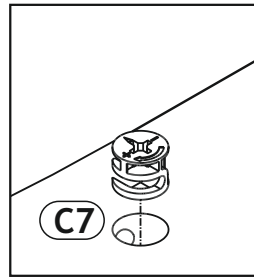
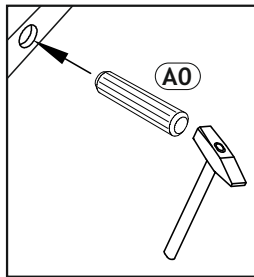
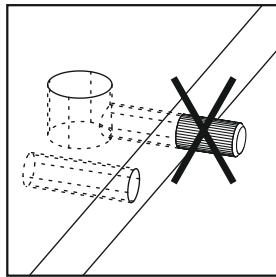
1	342	348	16	x2	1/1
2	342	348	16	x1	1/1
3	348	342	16	x1	1/1
4	750	350	16	x1	1/1
5	750	350	16	x1	1/1
					1/1







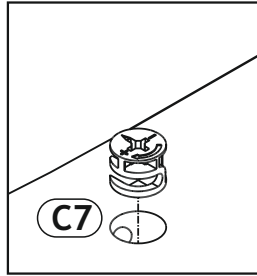
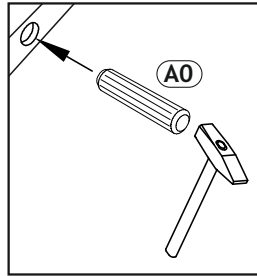
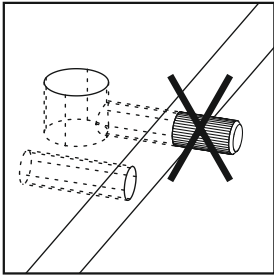
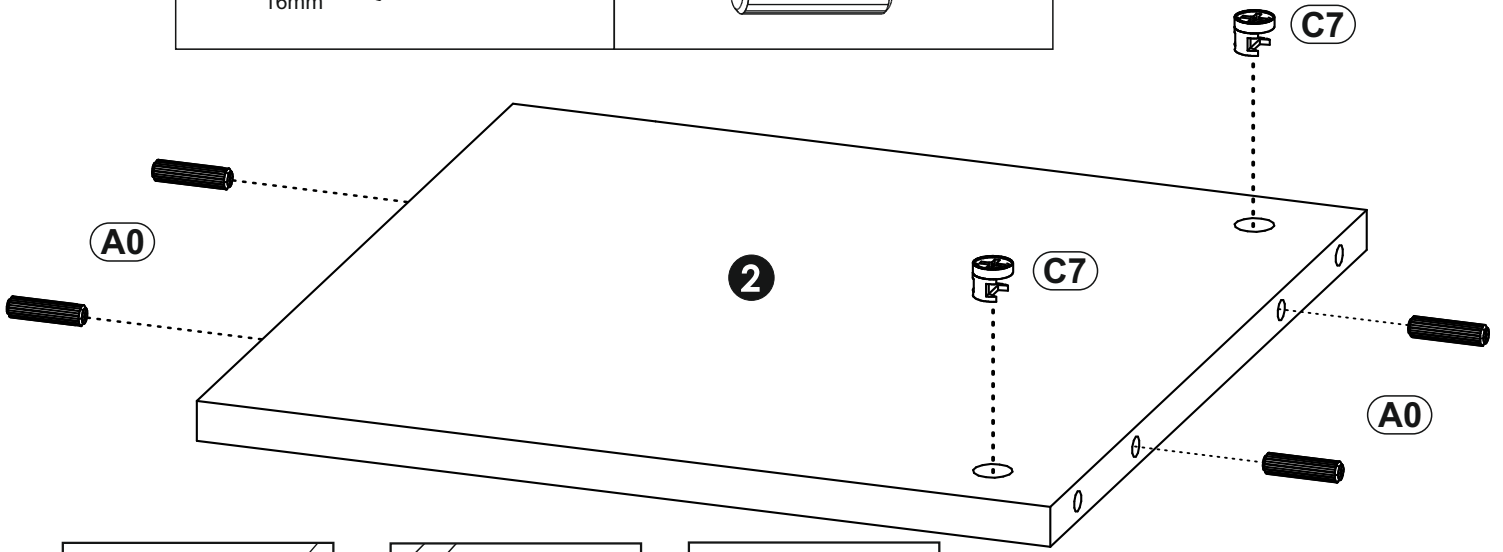
1 ▶

<p>(C7) 16mm</p>  <p>x4</p>	<p>(A0) 8 x 30mm</p>  <p>x8</p>	<p>(C2)</p>  <p>x4</p>
--	--	---


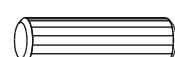


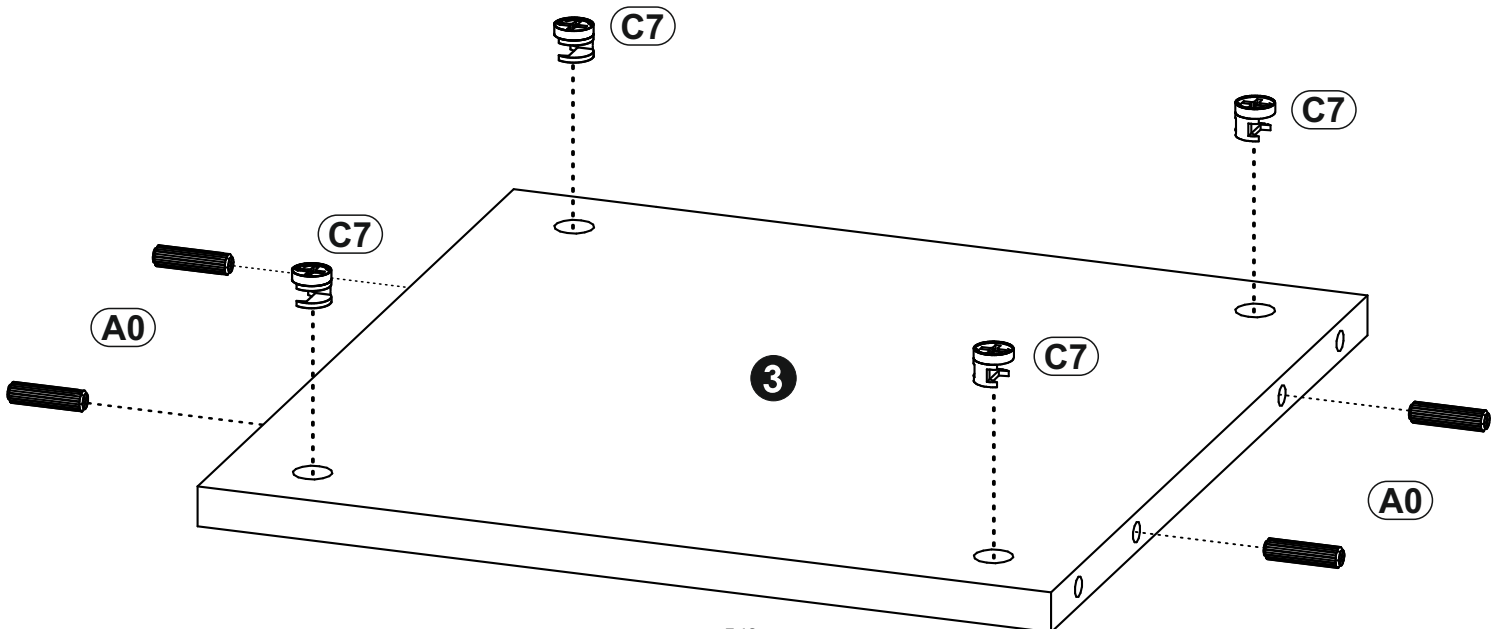
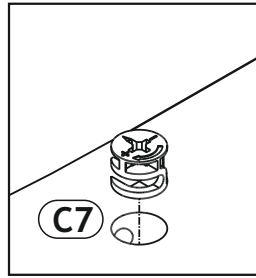
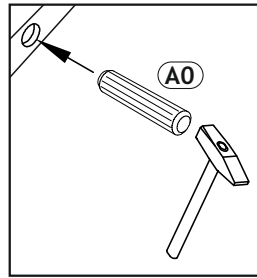
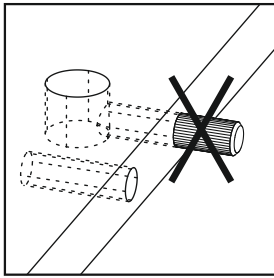
2 ▶

C7 16mm		x2	A0 8 x 30mm		x4
-------------------	---	-----------	-----------------------	---	-----------

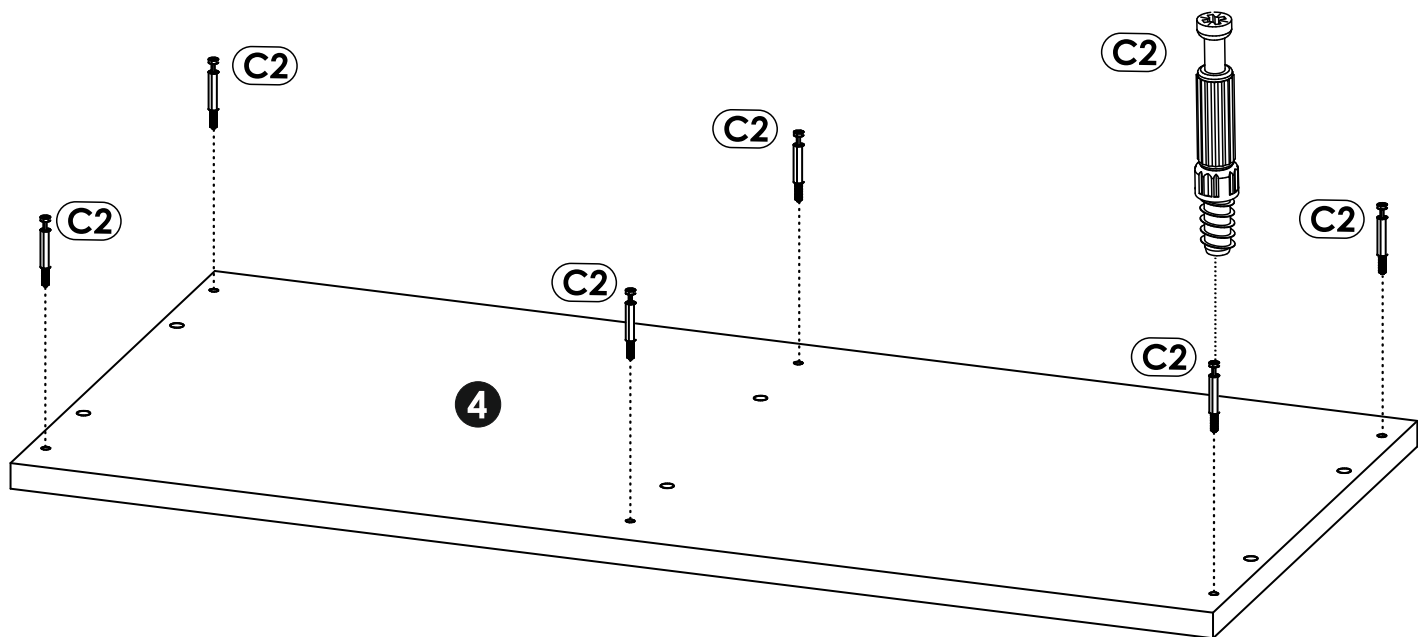
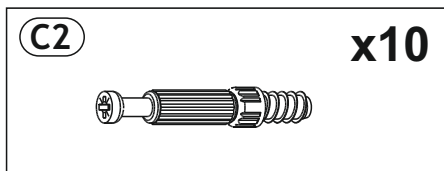


3 ▶

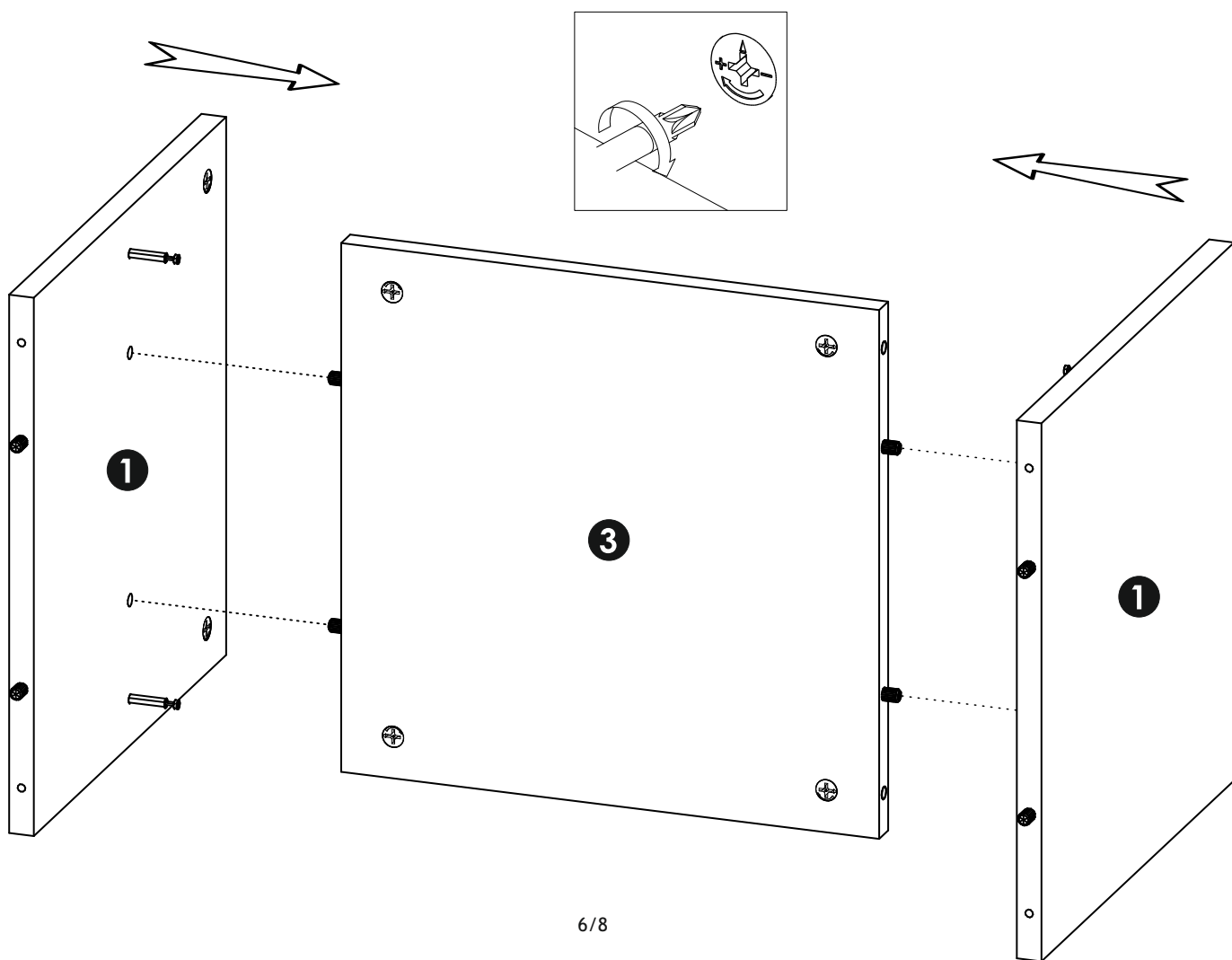
C7 16mm		x4	A0 8 x 30mm		x4
-------------------	---	-----------	-----------------------	---	-----------



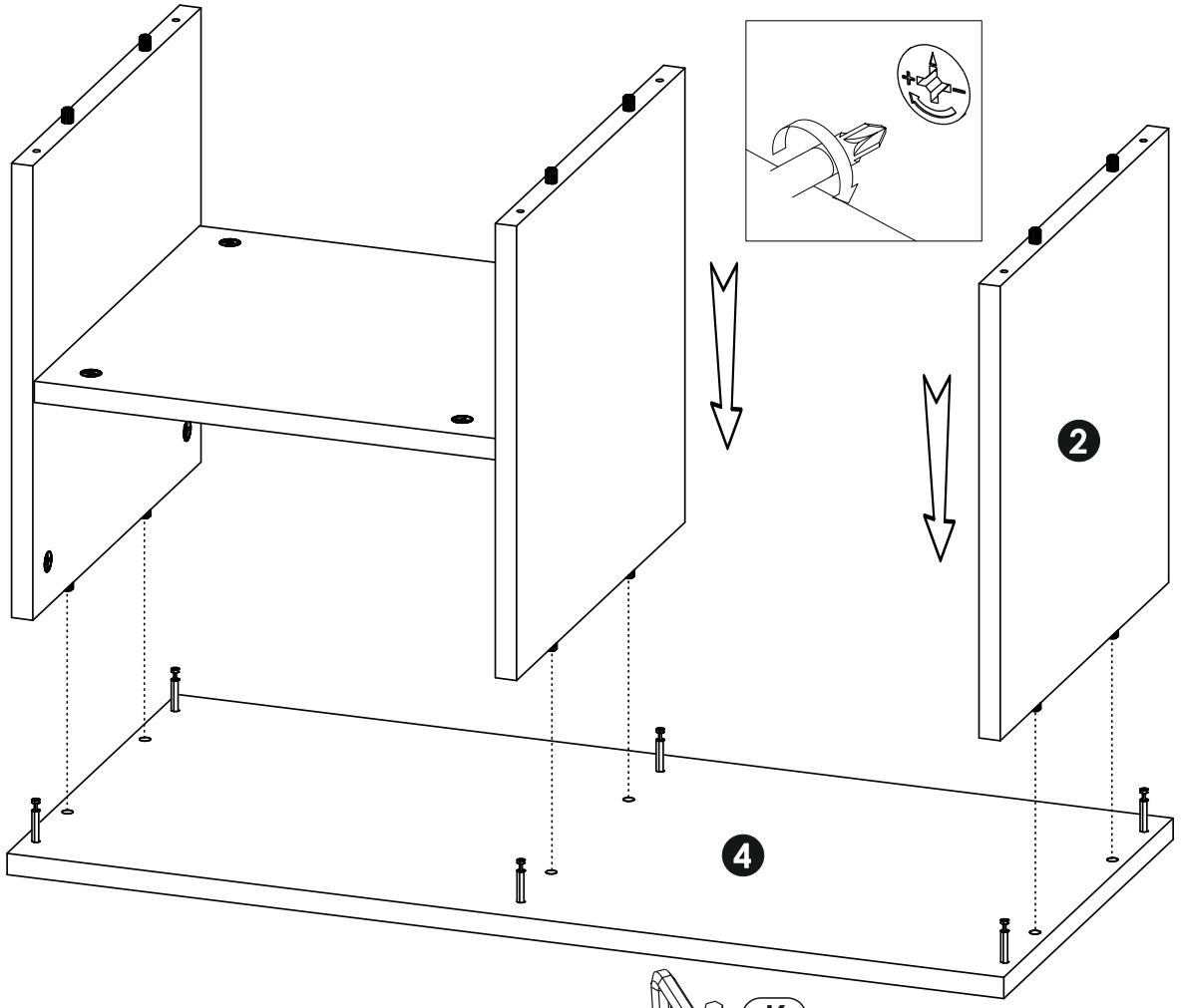
4 ▶



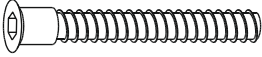
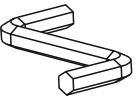
5 ▶

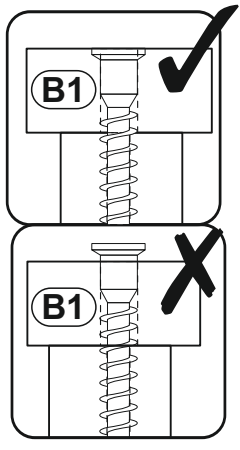
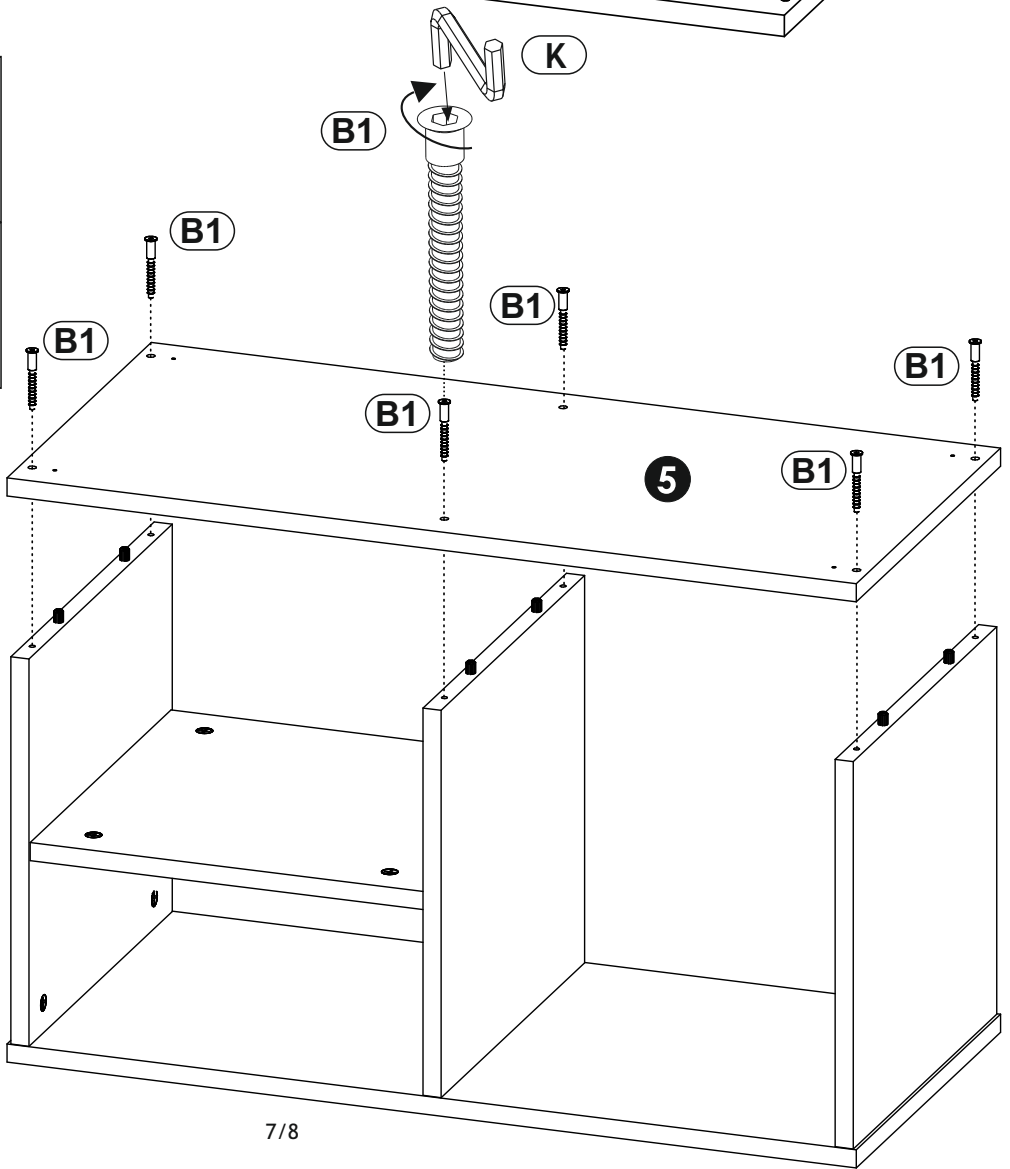


6 ▶

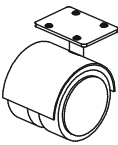
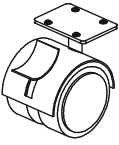



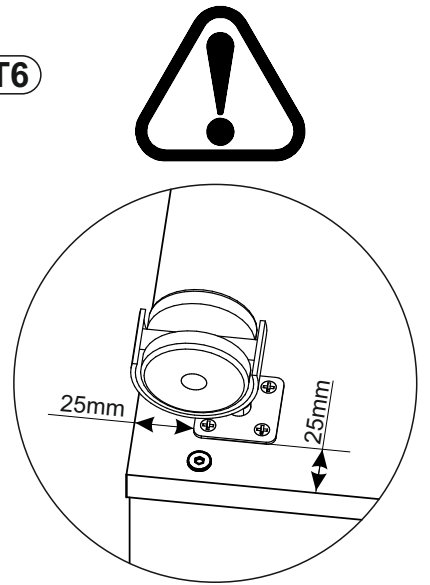
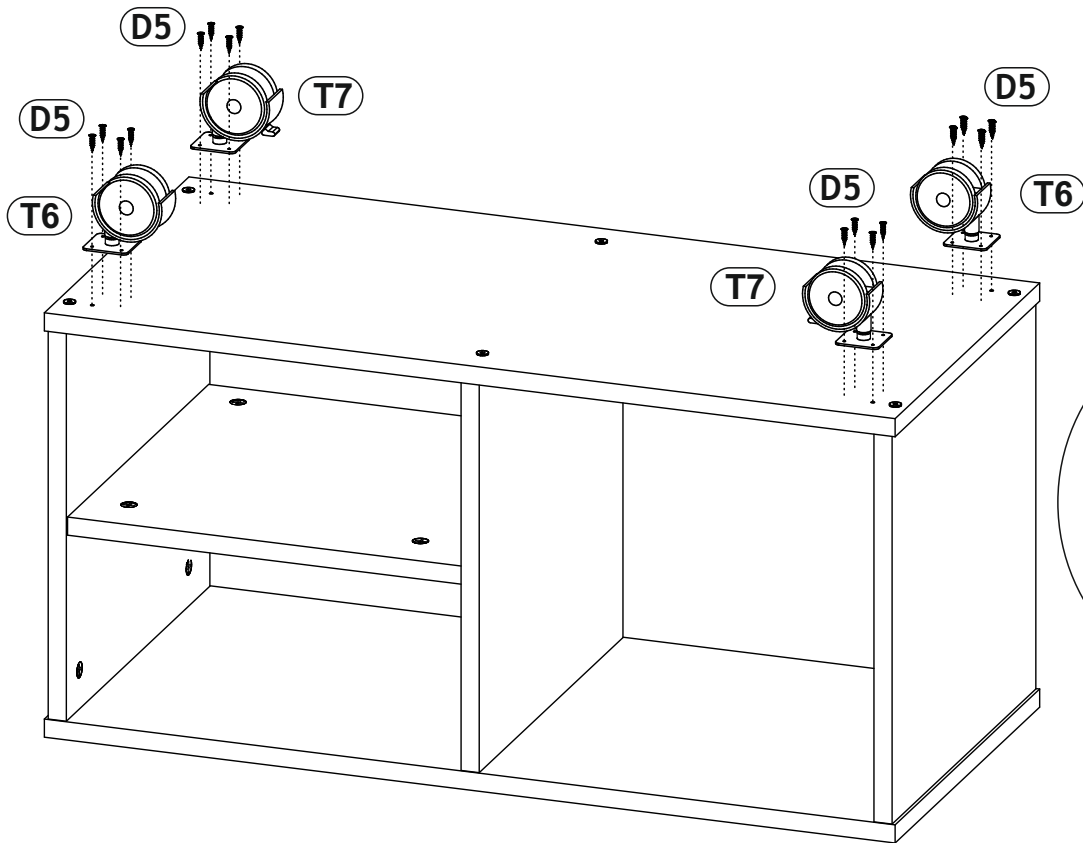
7 ▶

B1	f 7 x 50 mm	x6
		
K	4mm	x1
		




8 ▶

T6  x2	T7  x2	D5  3.5 x 16 mm x16
--	--	--



9 ▶

C0  x6

