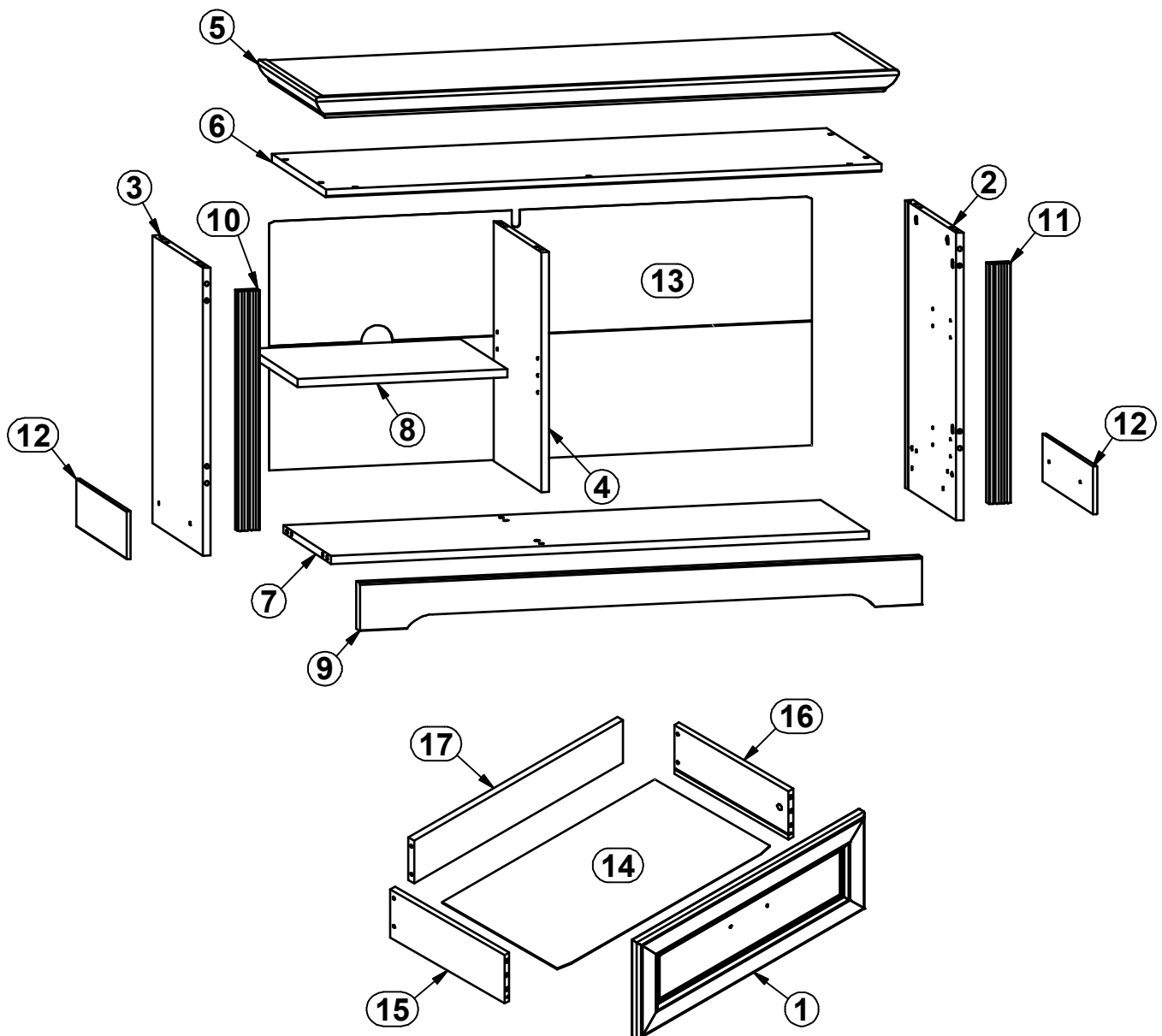
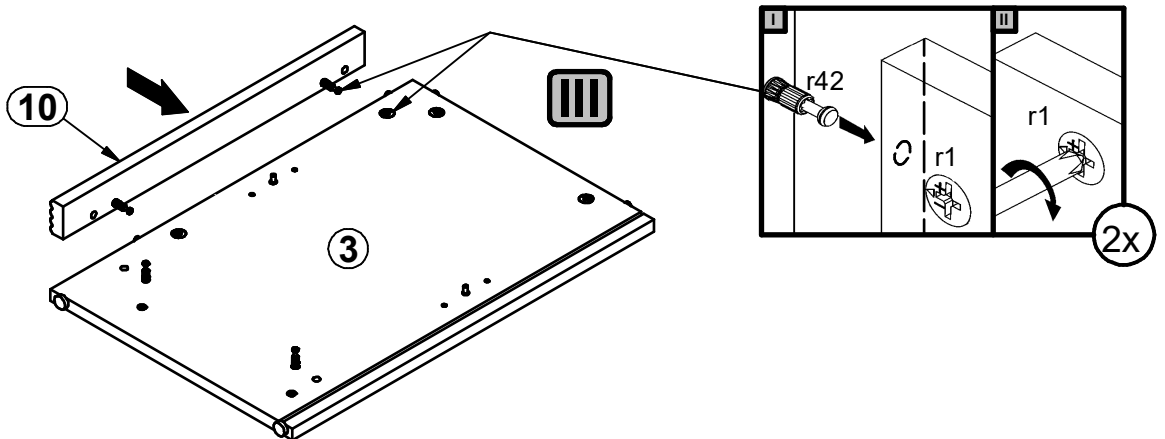
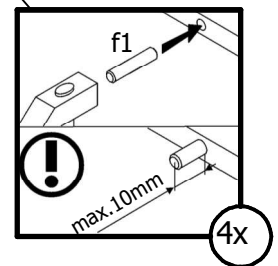
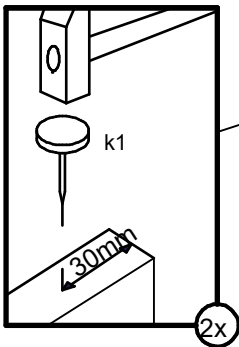
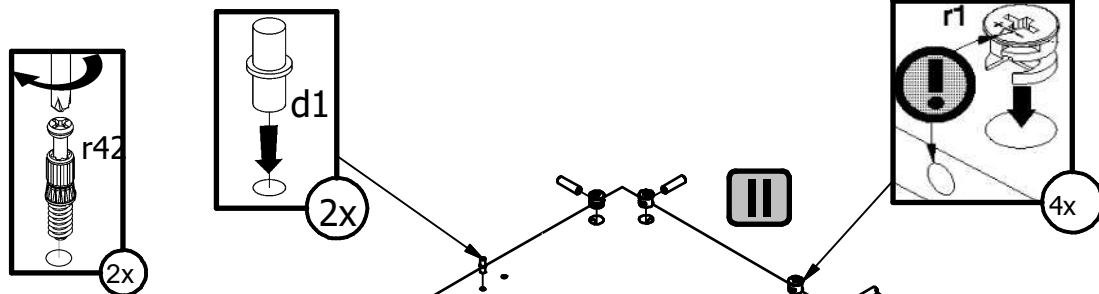
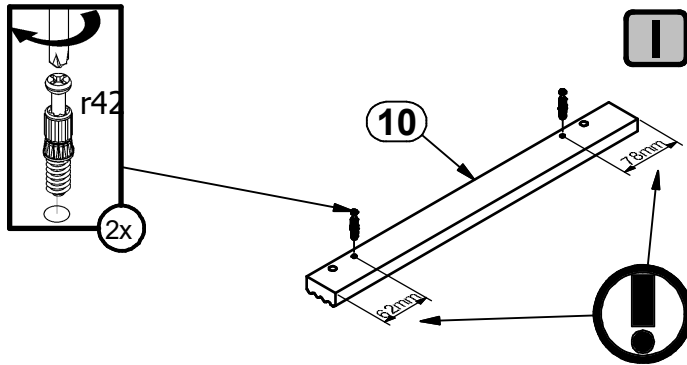
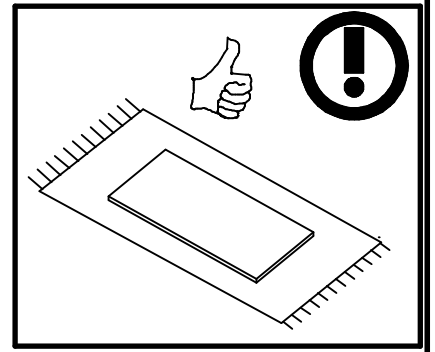


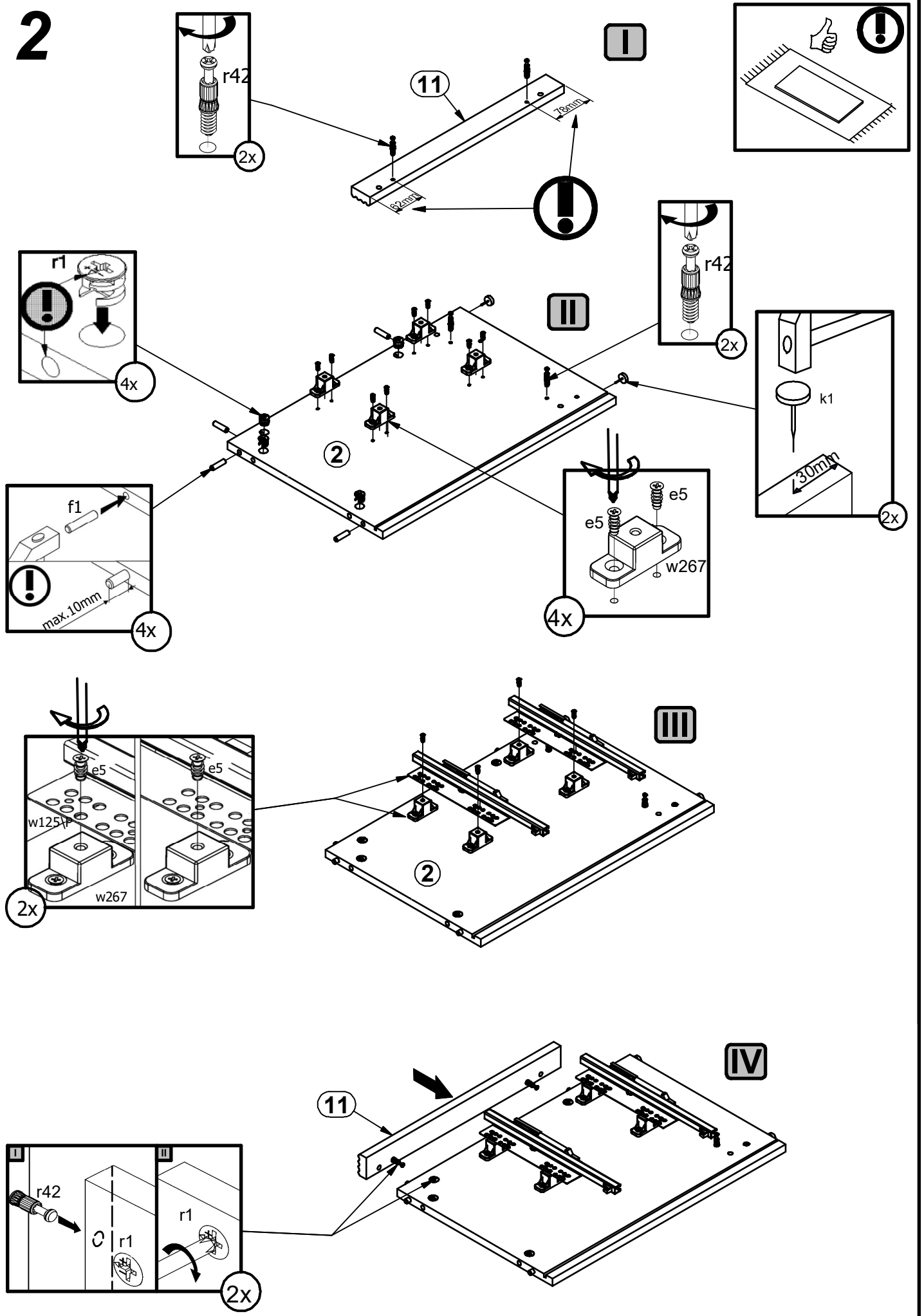
A	B1	B2	C1	C2	C3	D
1	L138-0001	-	596	220	22	1/2
2	L138-1001	-	542	362	15	1/2
3	L138-1002	-	542	362	15	1/2
4	L138-1003	-	452	342	15	2/2
5	L138-2001	-	1120	418	43	2/2
6	L138-2002	-	1067	391	15	2/2
7	L138-3001	-	1033	342	15	2/2
8	L138-3002	-	403	337	15	2/2
9	L138-4001	-	1081	90	25	2/2
10	L138-5005	-	452	43	19	1/2
11	L138-5006	-	452	43	19	1/2
12	L138-5007	-	362	90	8	1/2
13	L138-9301	-	1043	469	2,5	2/2
14	WSP-9488	B.53	558	308	2,5	2/2
15	WSQ2-5003	-	300	110	12	1/2
16	WSQ2-5004	-	300	110	12	1/2
17	ZQ6-5332	A.29	548	97	15	1/2



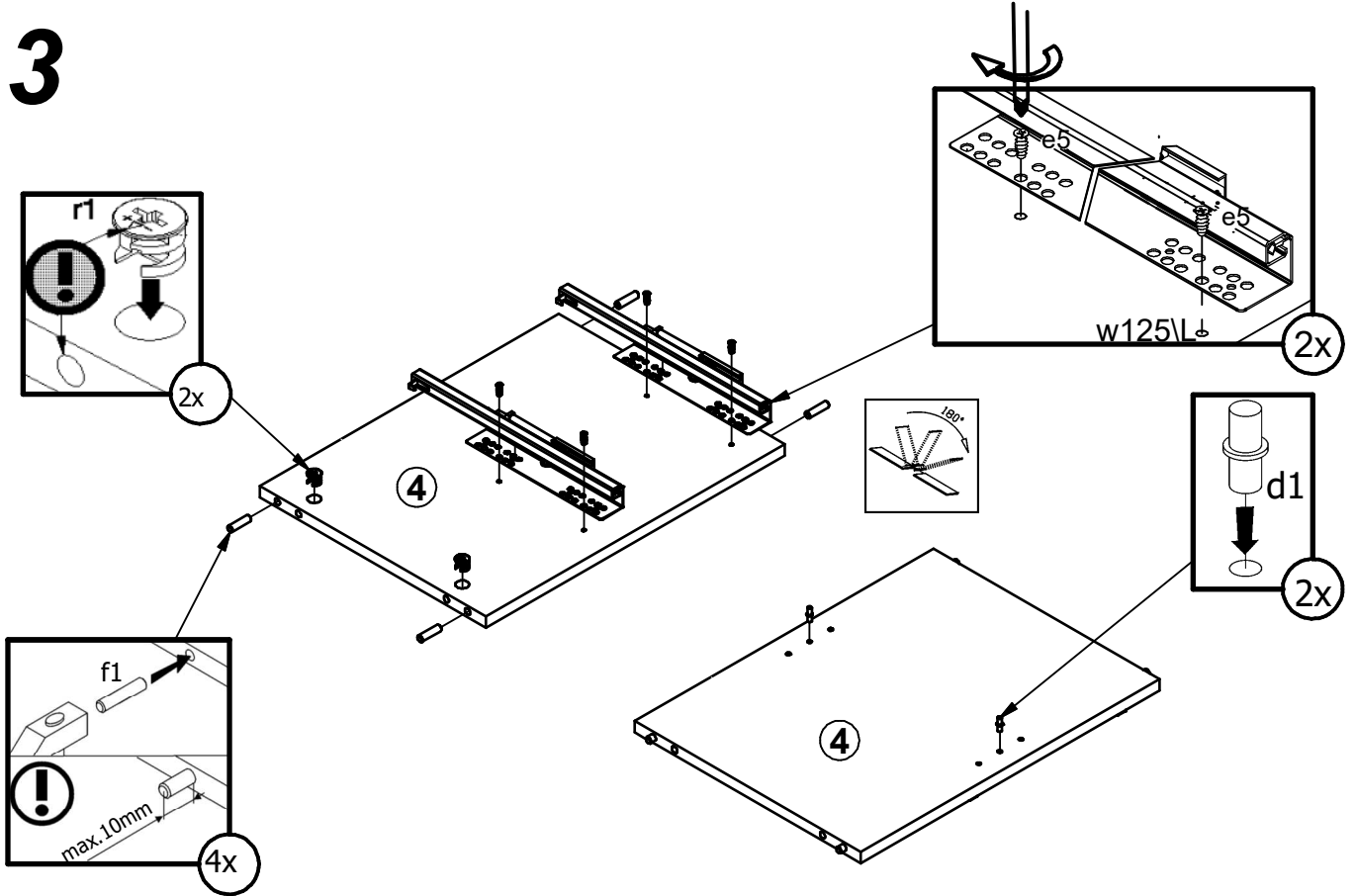
1 



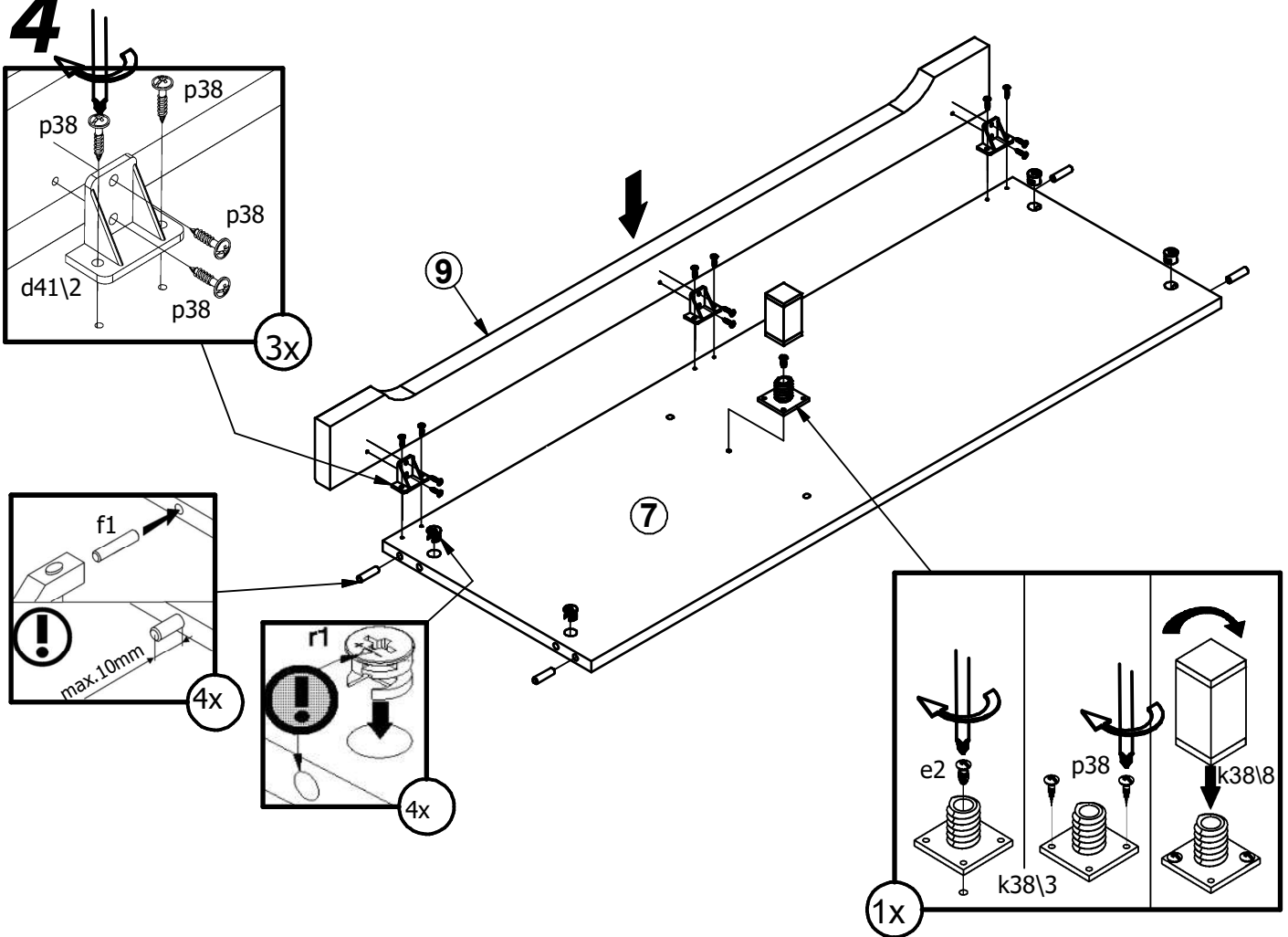
2



# 3



# 4



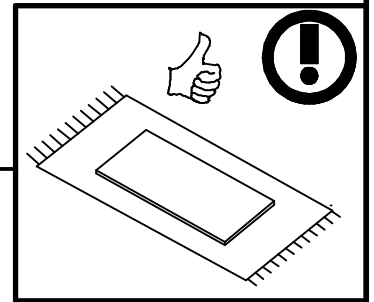
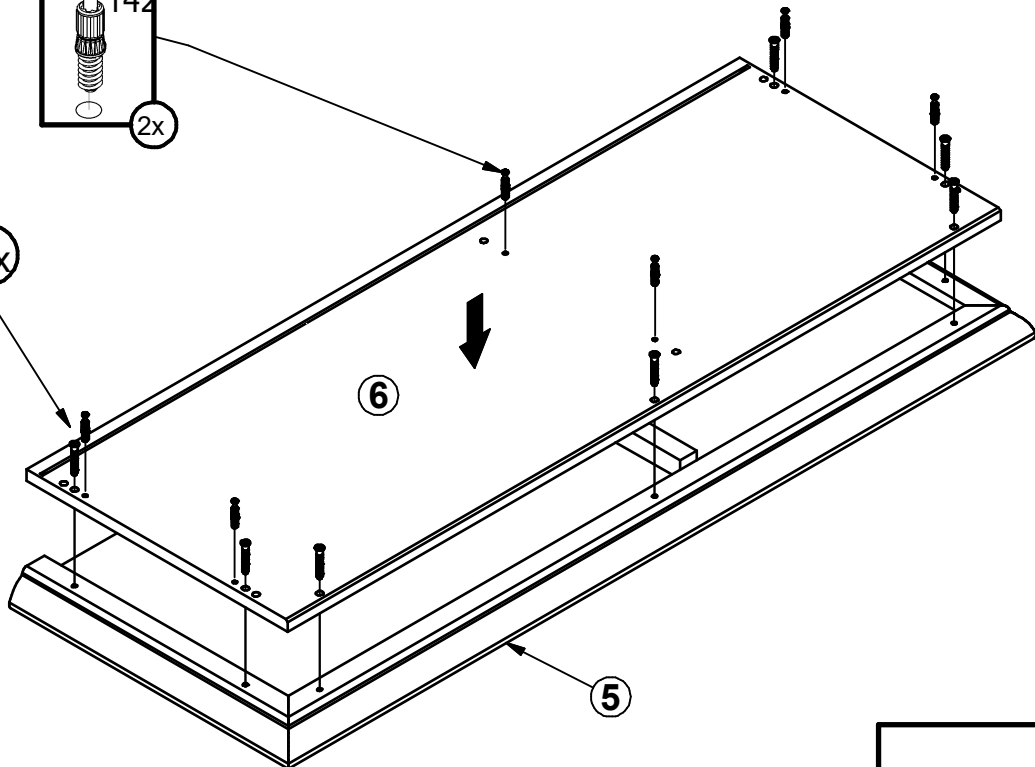
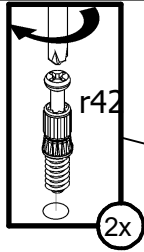
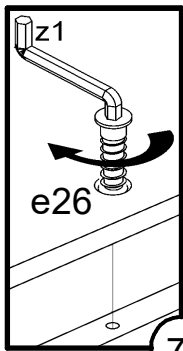
A

L138-RTV2S

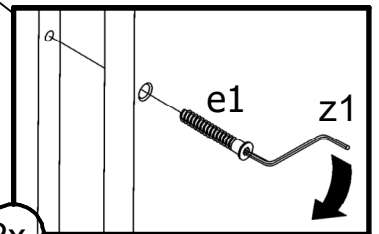
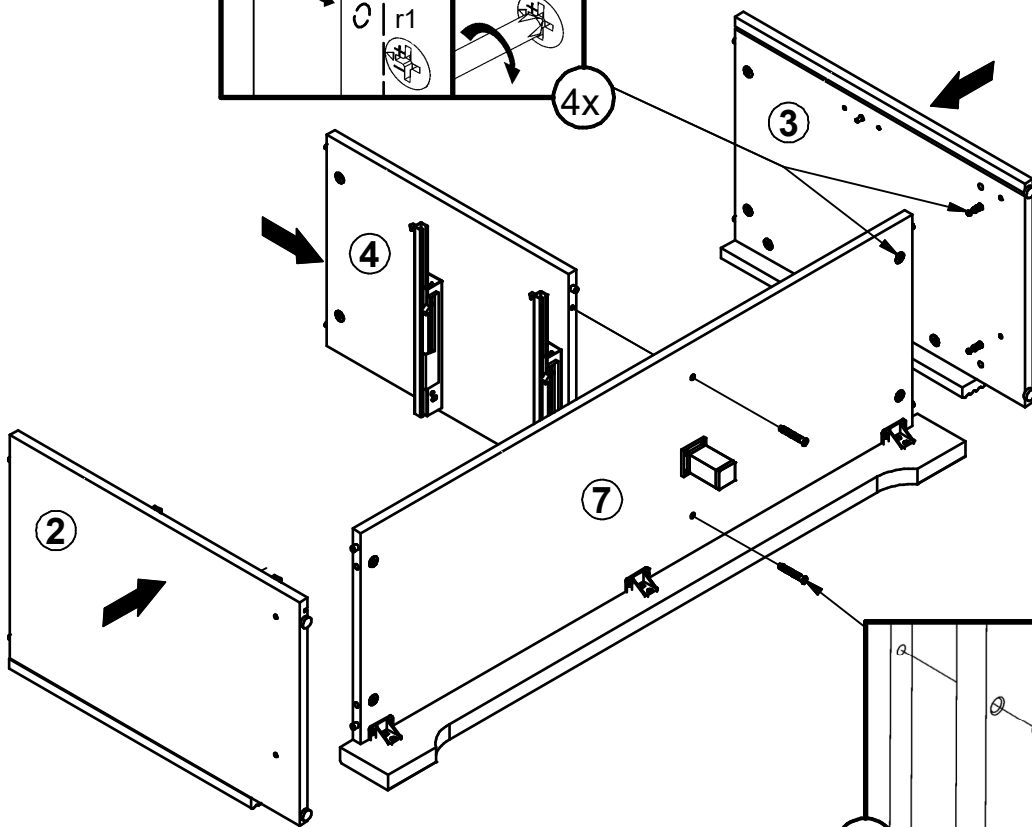
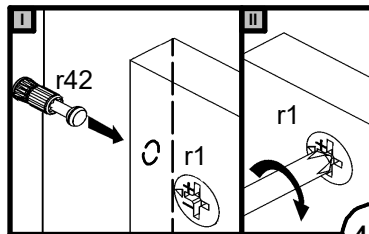
45-886

6 / 12

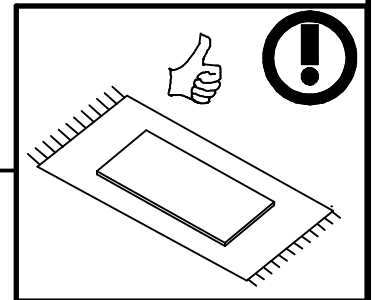
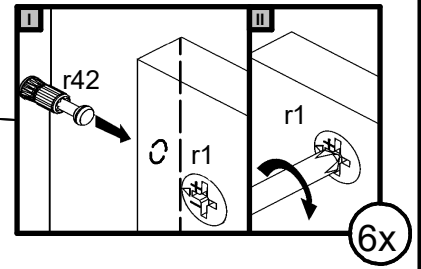
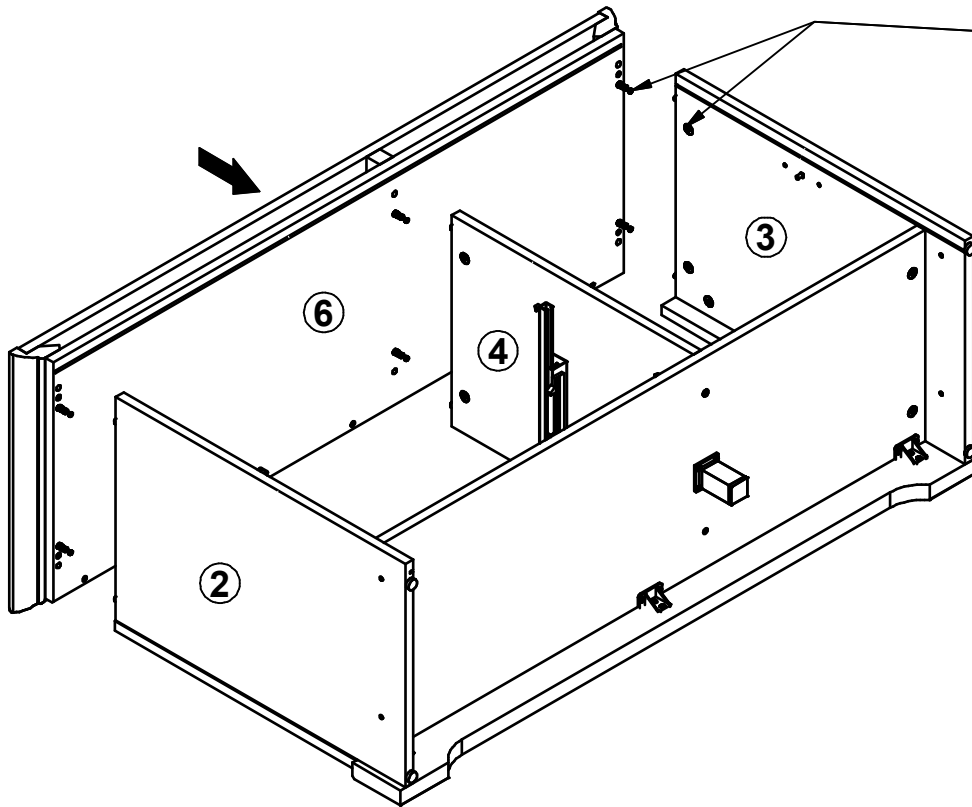
5



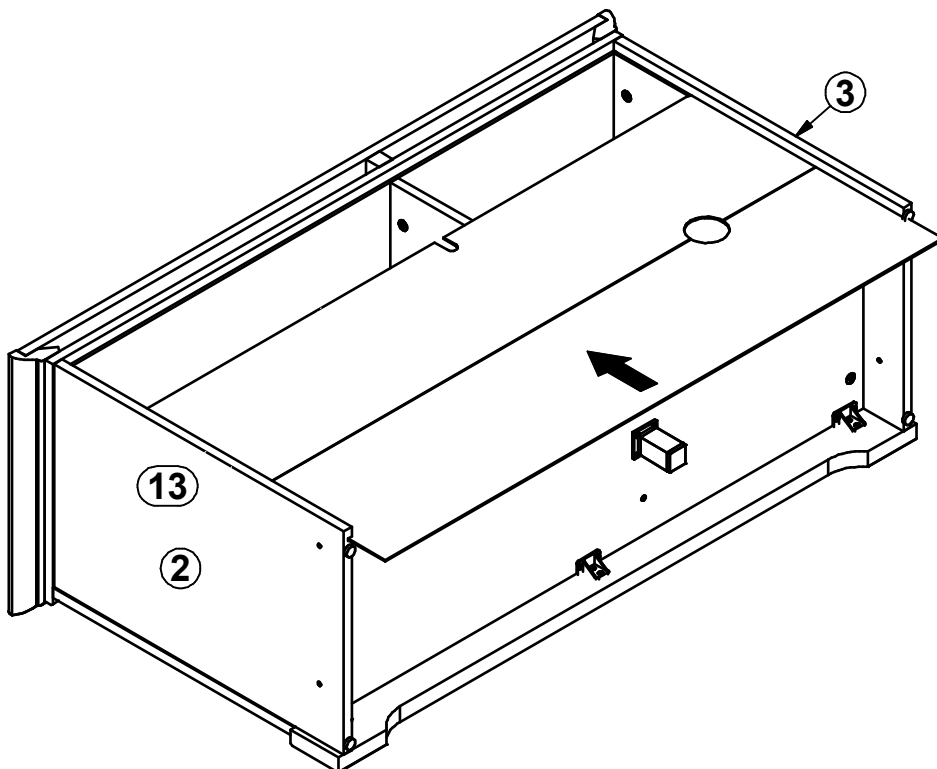
6



7

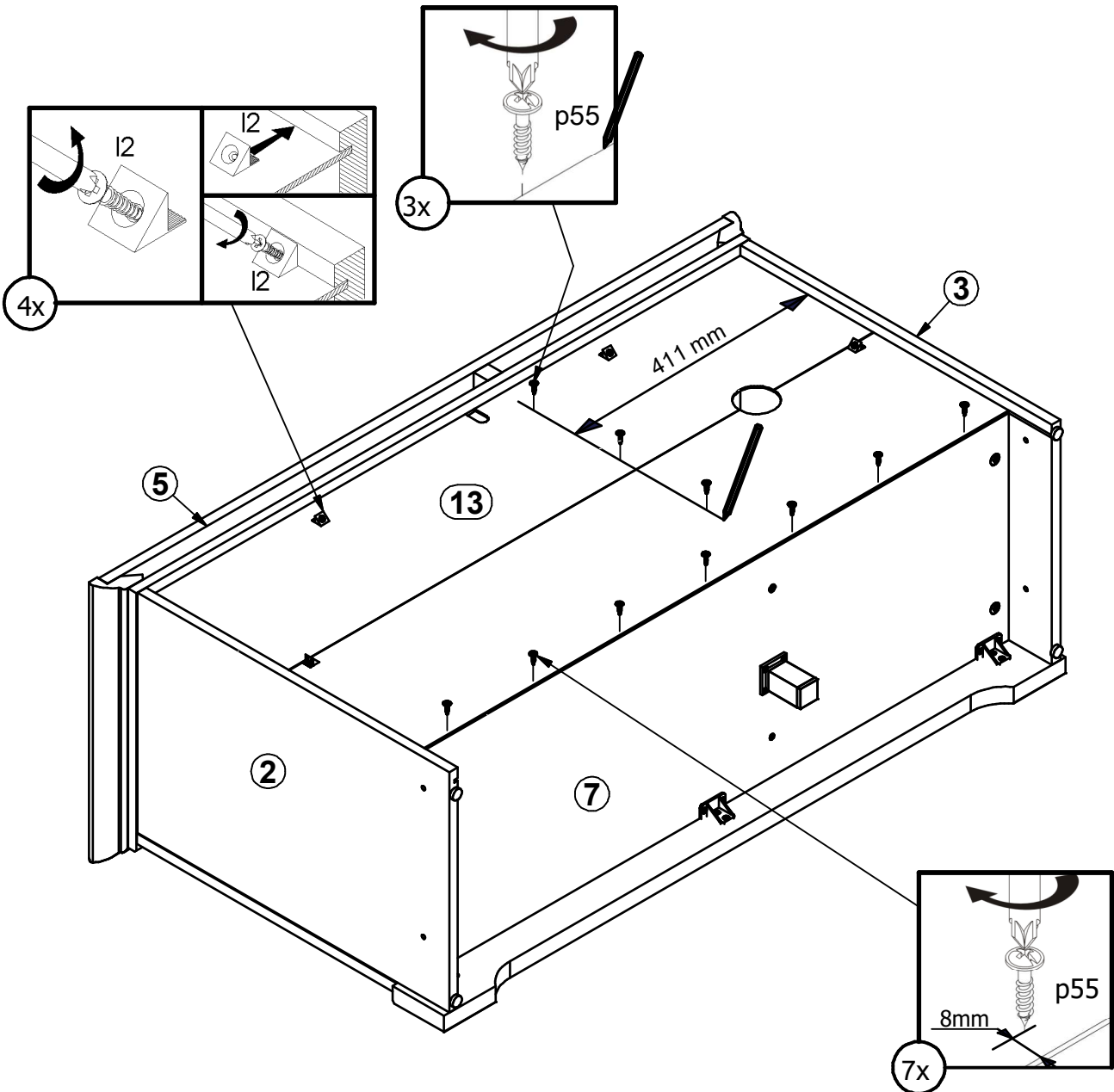
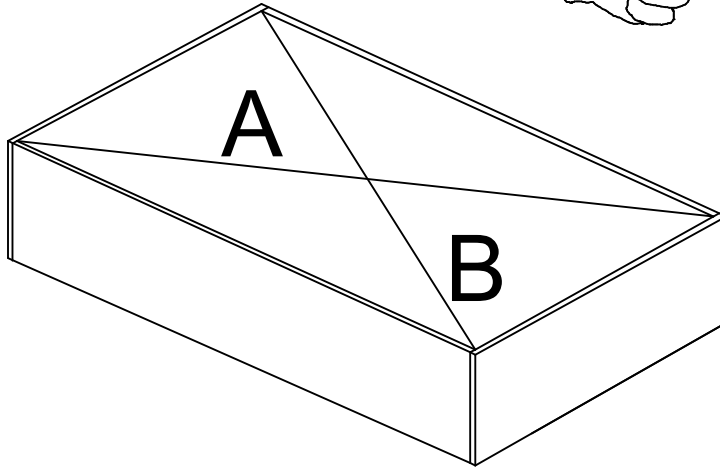


8



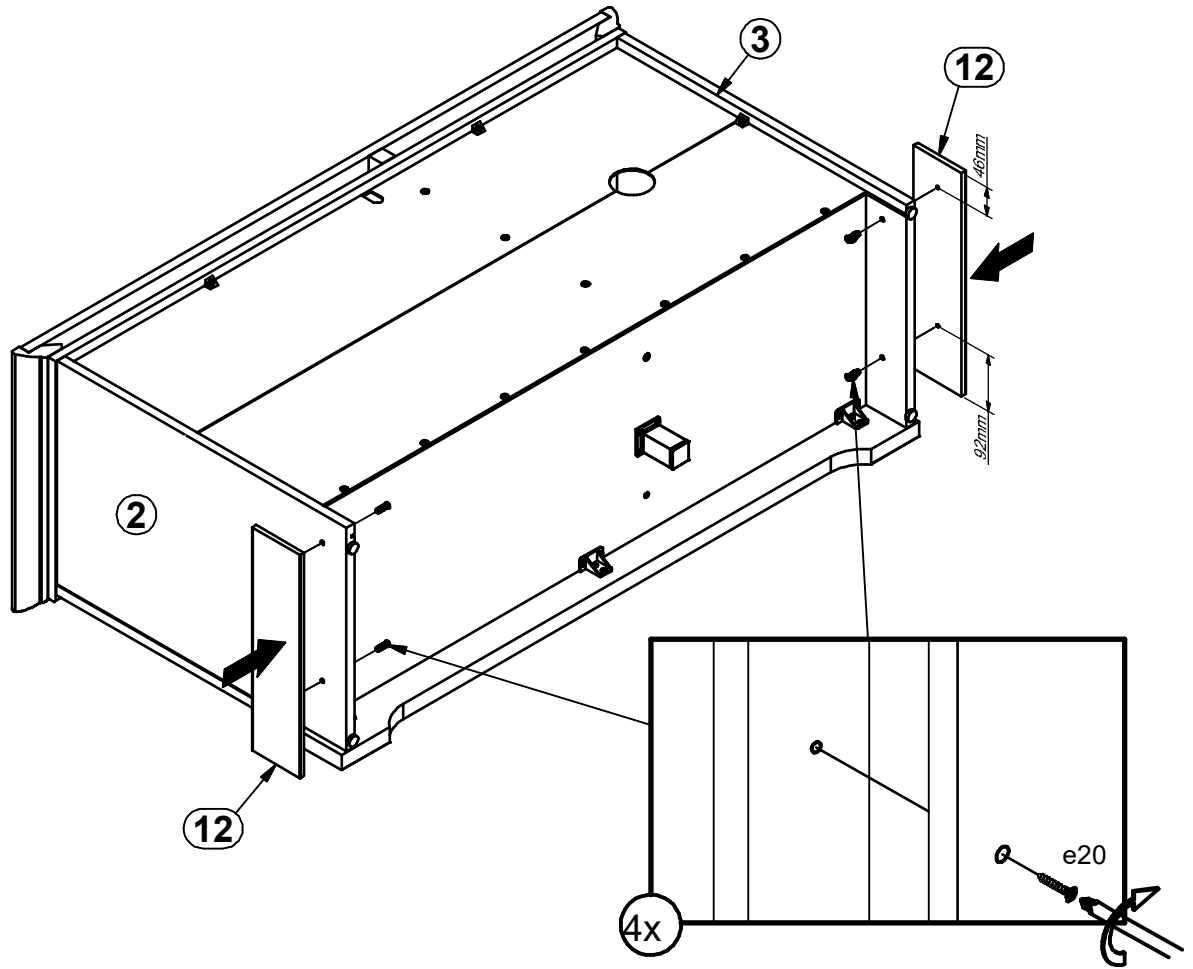
9

⚠ A=B

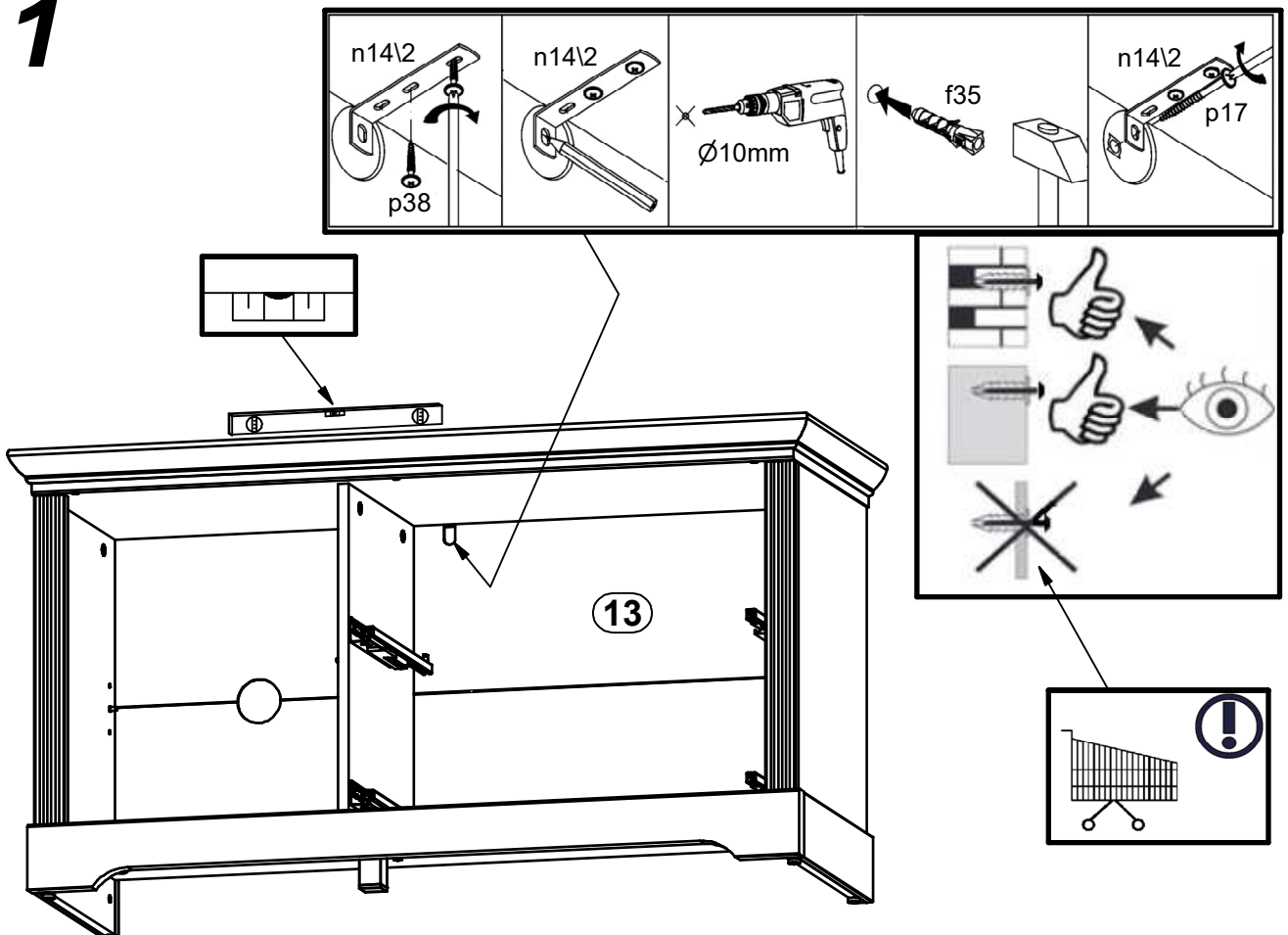




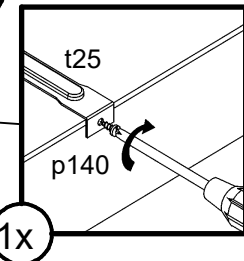
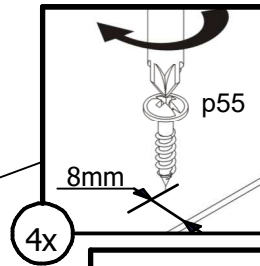
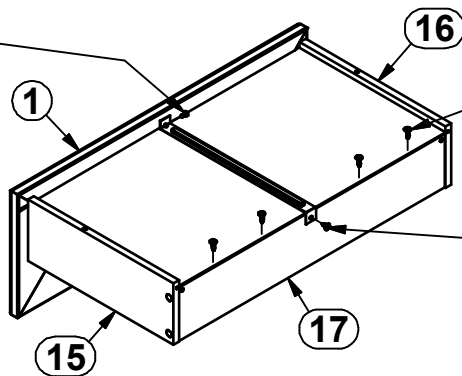
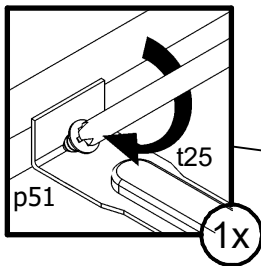
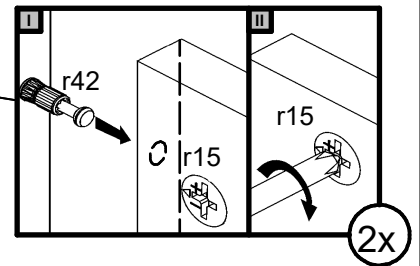
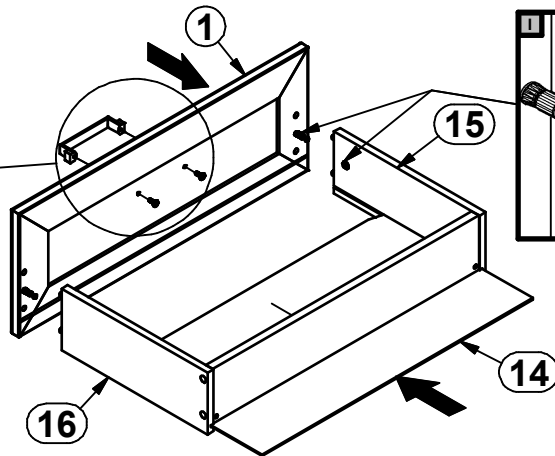
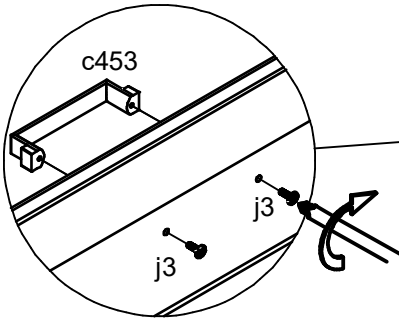
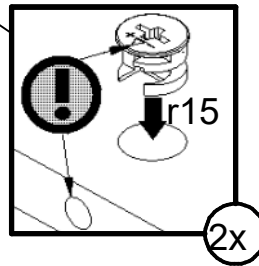
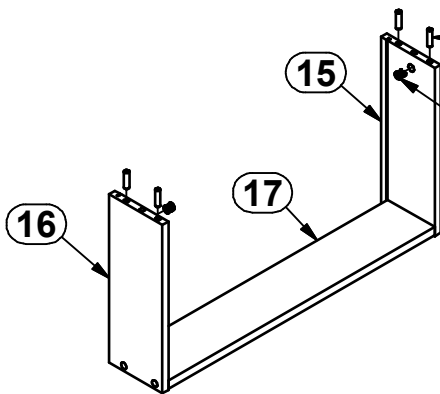
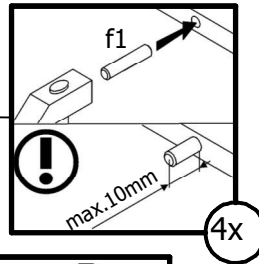
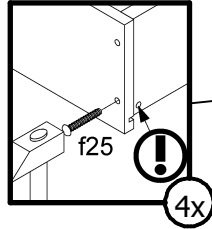
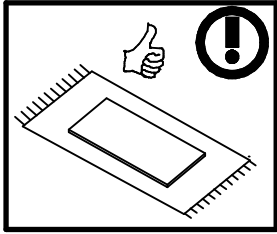
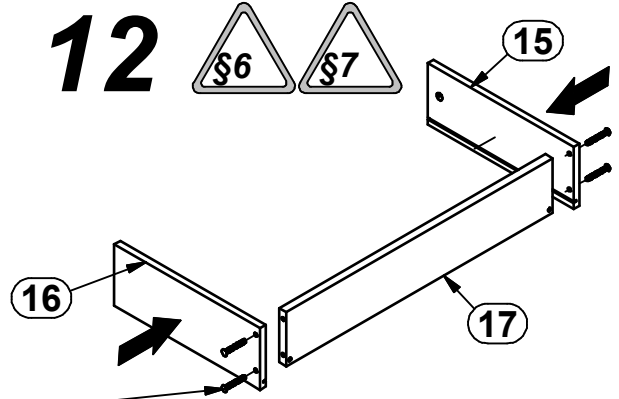
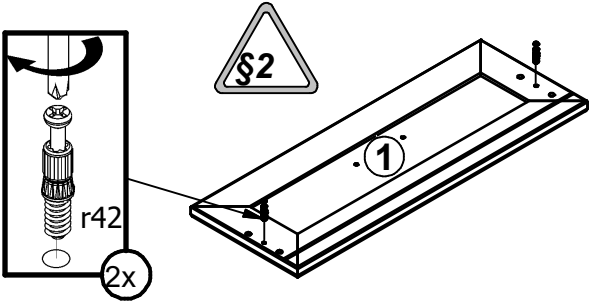
# 10



# 11



12



# 13

