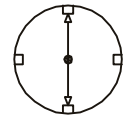
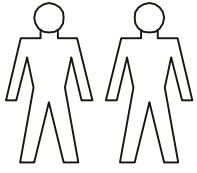
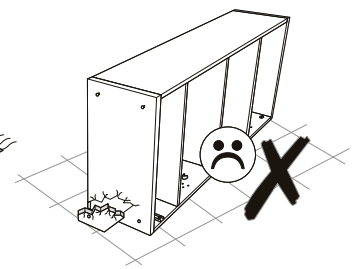
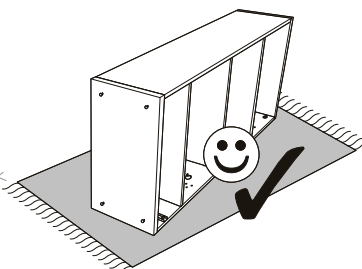
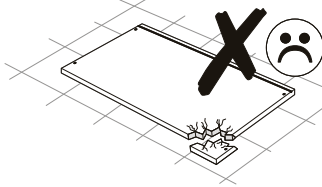
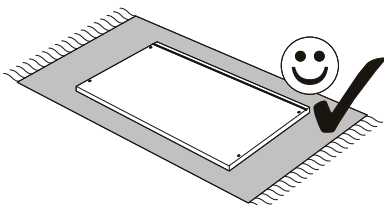
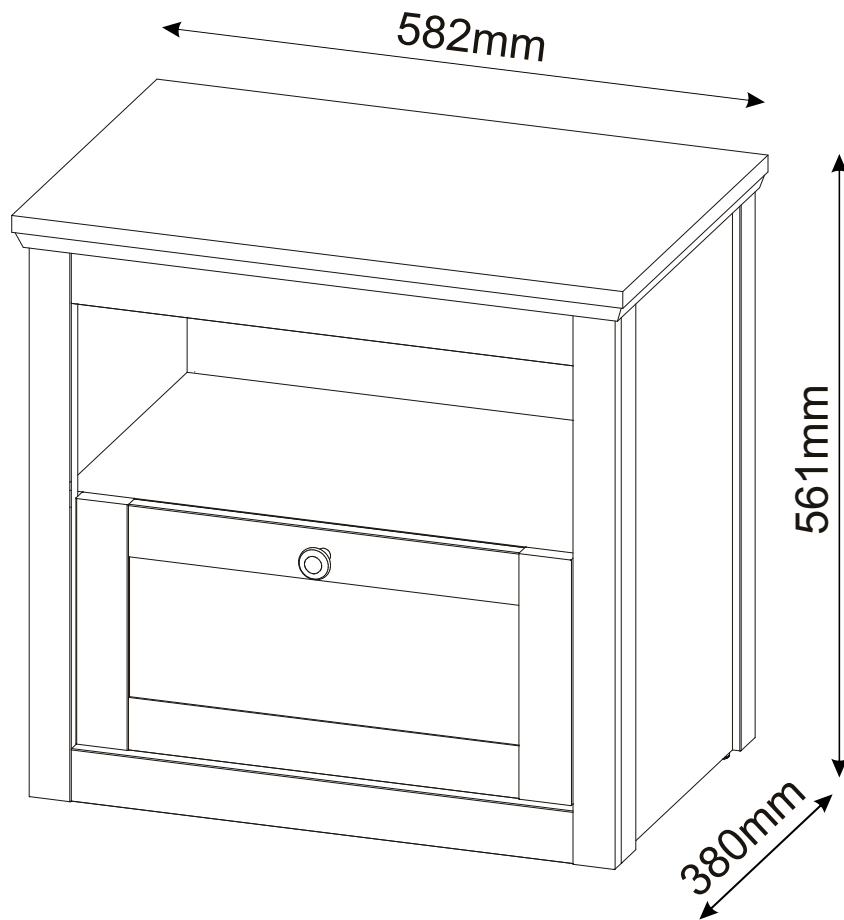
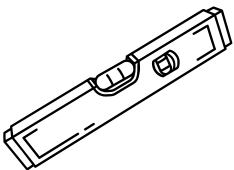
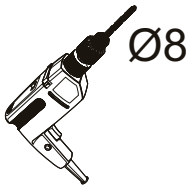
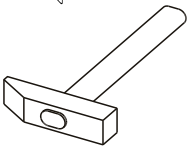
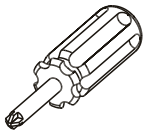
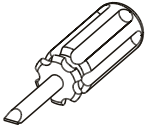








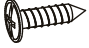


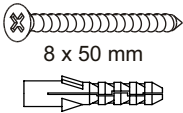


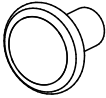

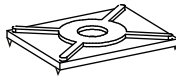
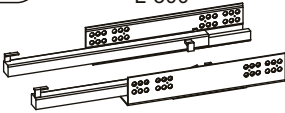
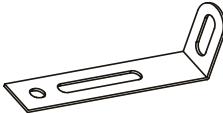
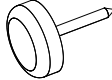
KORSIKA Nachtkommode 1L

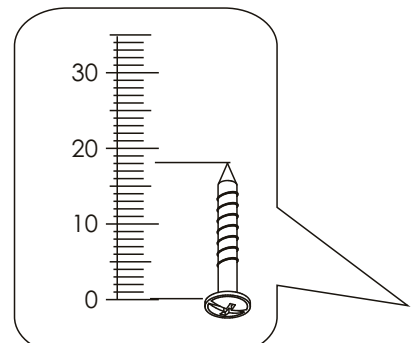
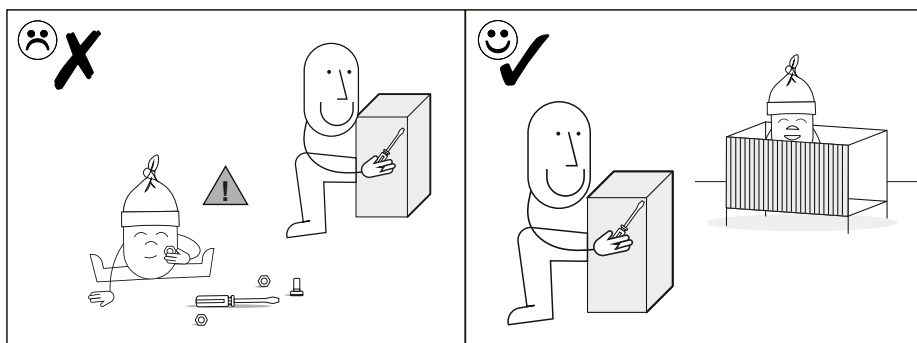
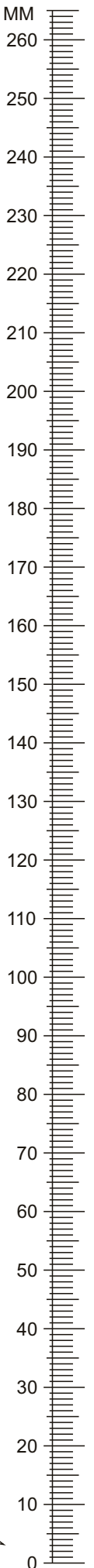
00030139/03




30
MIN

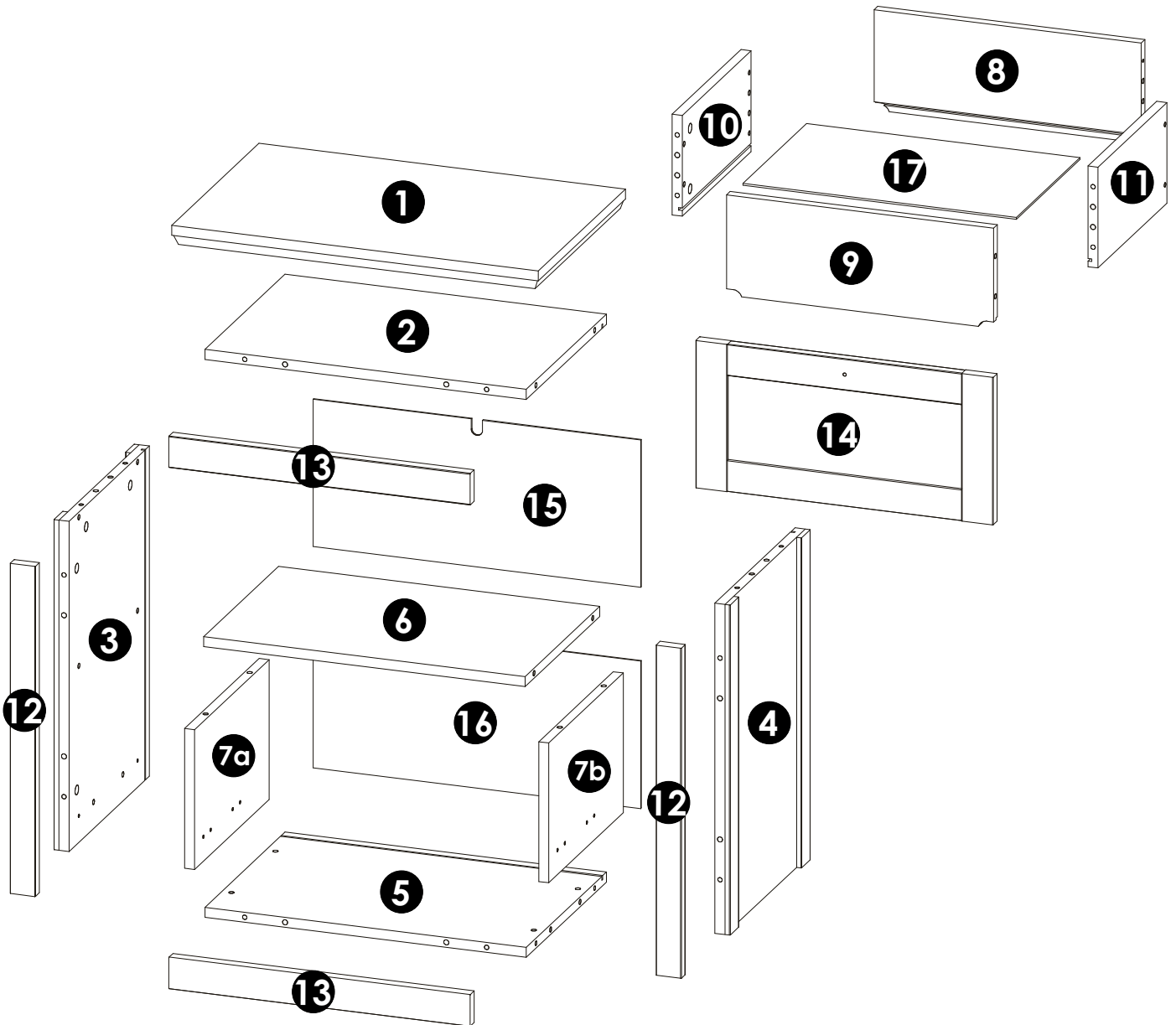
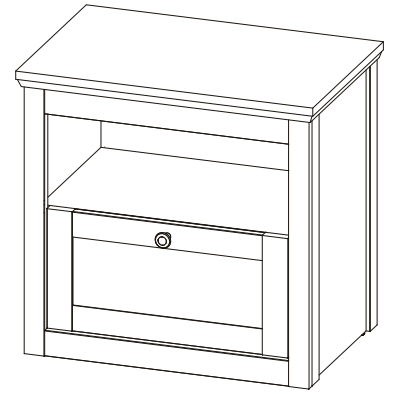


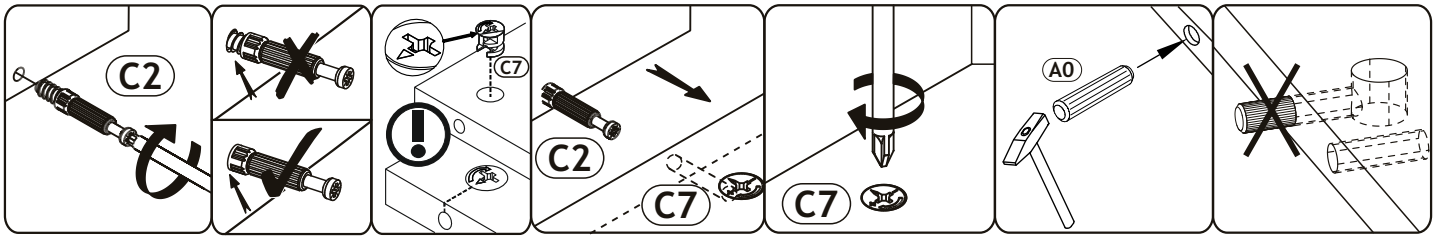
A0 8 x 30mm 	B1 7x 50 mm 	C0 	x44	x4	x10
C2 	C7 16mm 	D0 3 x 15 mm 	x20	x20	x10
D8 4.2 x 13 mm 	D21 5 x 13 mm 	D31 6.3 x 13 mm 	x1	x1	x8
E0 5 x 50 mm 8 x 50 mm 	H2 4 x 22 mm 	K 4mm 	x1	x1	x1
L35 	M1 	M3 	x1	x8	x2
N13 L-300 	P0 	T3 	x1	x1	x4



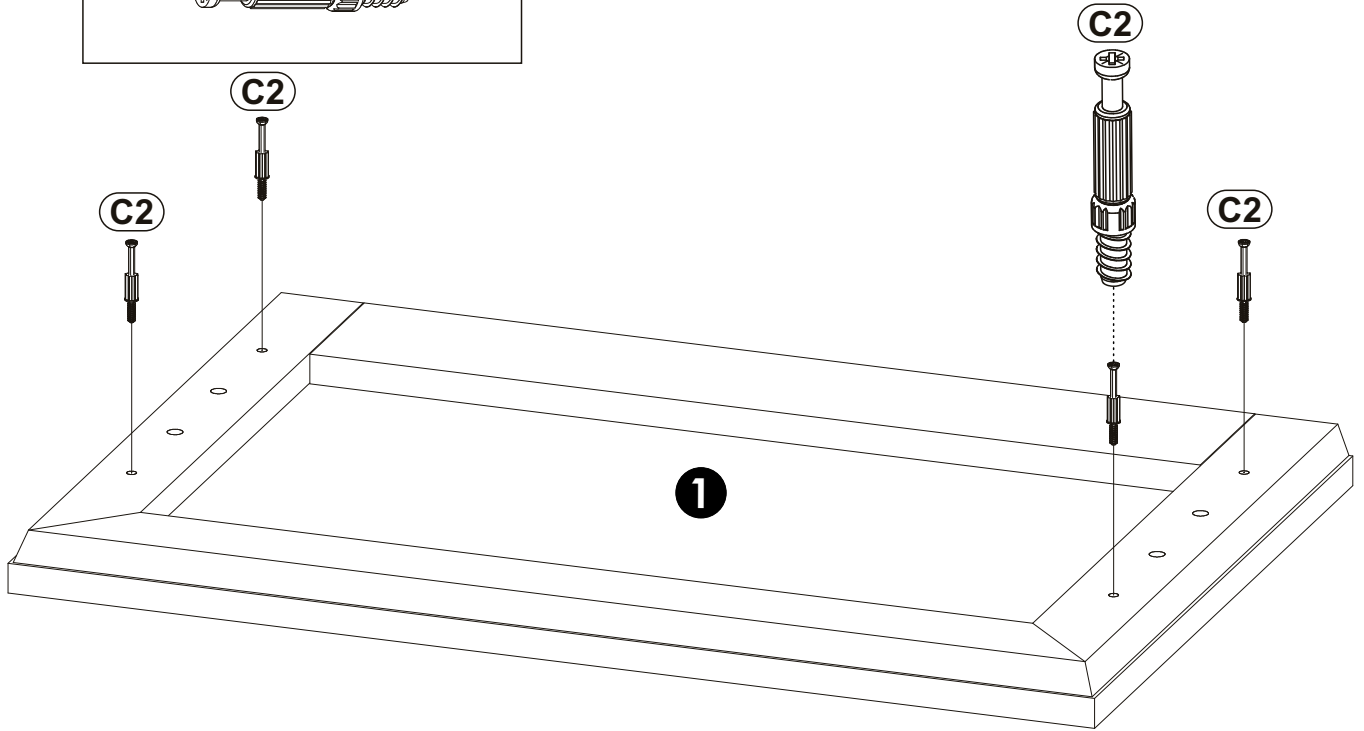
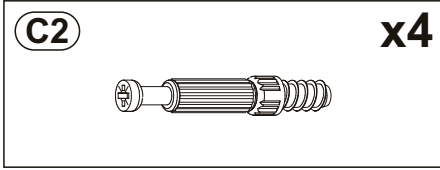
1	582	380	32	x1	1/1
2	510	349	16	x1	1/1
3	524	350	24	x1	1/1
4	524	350	24	x1	1/1
5	510	349	16	x1	1/1
6	510	326	16	x1	1/1
7	222	325	16	x2	1/1
8	424	159	16	x1	1/1
9	424	159	16	x1	1/1

10	300	160	16	x1	1/1
11	300	160	16	x1	1/1
12	524	40	18	x2	1/1
13	478	50	18	x2	1/1
14	472	234	18	x1	1/1
15	520	234	3	x1	1/1
16	520	234	3	x1	1/1
17	434	278	3	x1	1/1
					1/1



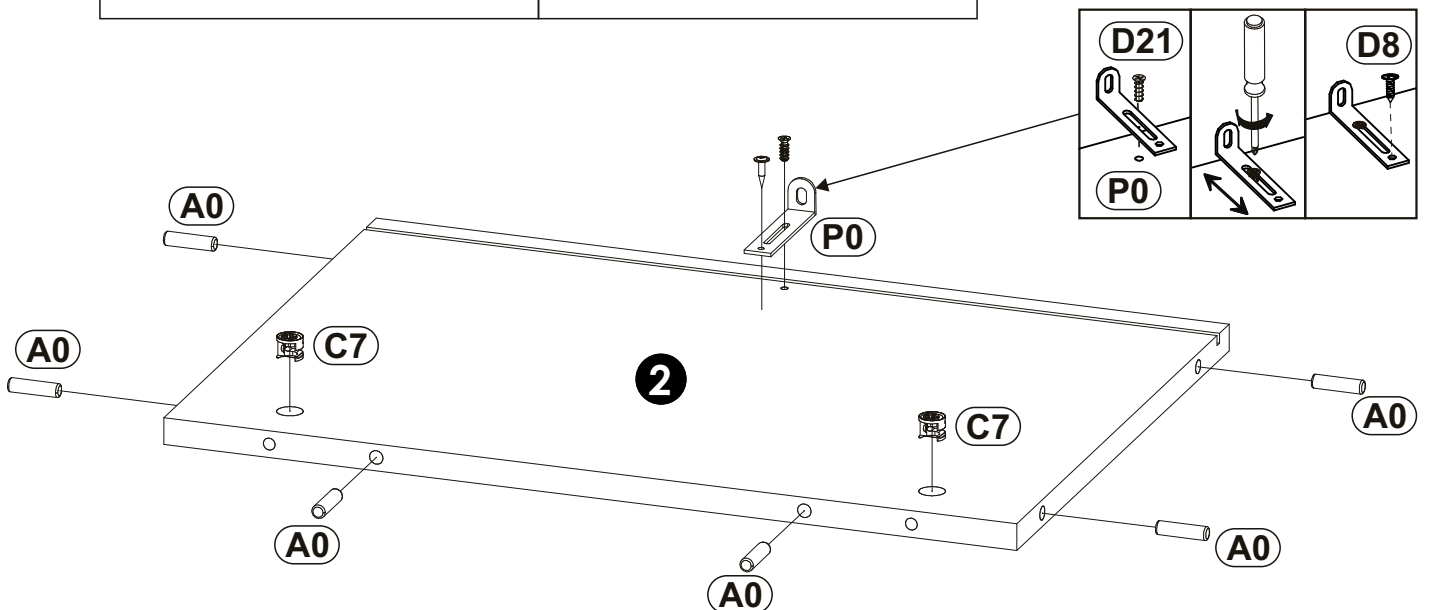


1




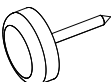
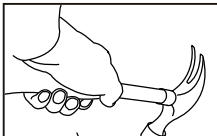


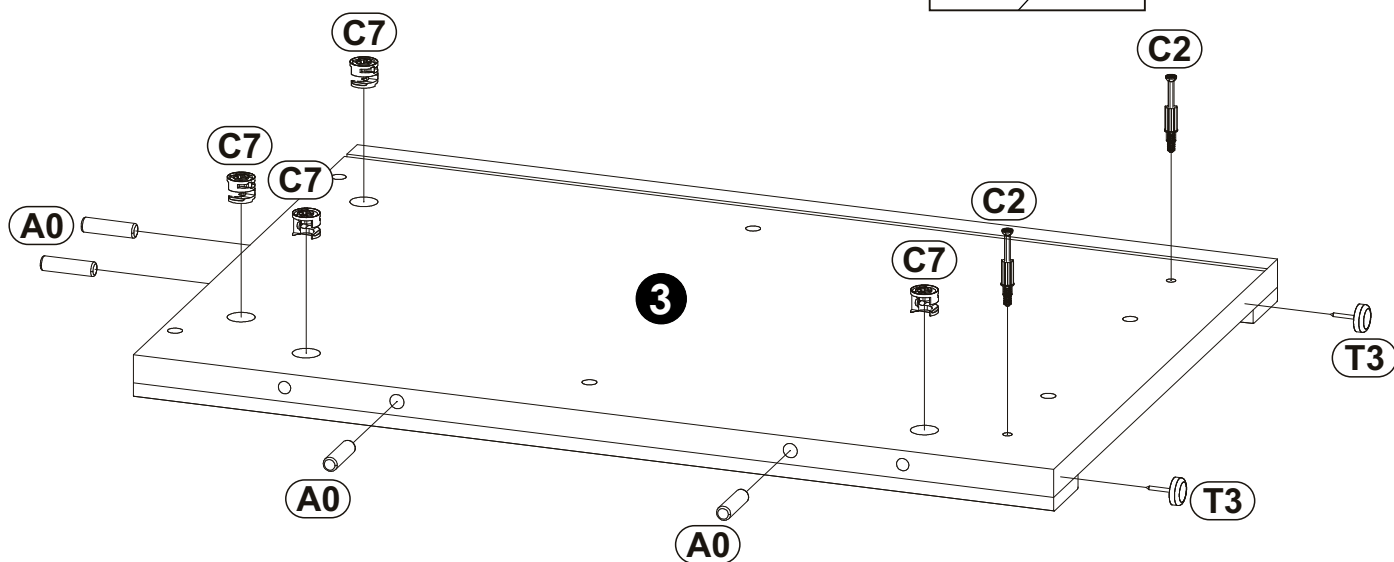
2

A0 8 x 30mm 	x6	C7 16mm 	x2	D8 4.2 x 13 mm 	x1
D21 5 x 13 mm 	x1	P0 	x1		

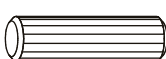


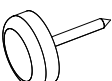


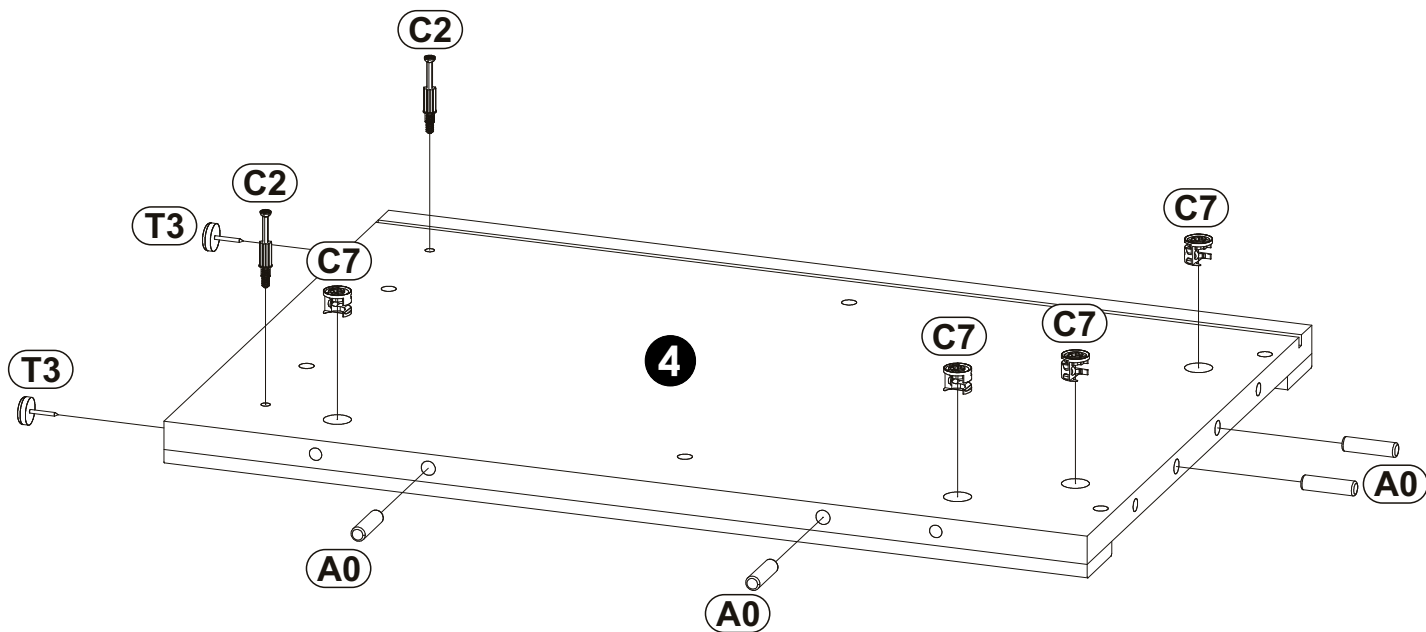
3

(A0) 8 x 30mm 	x4	(C2) 	x2	(C7) 16mm 	x4
(T3) 	x2				

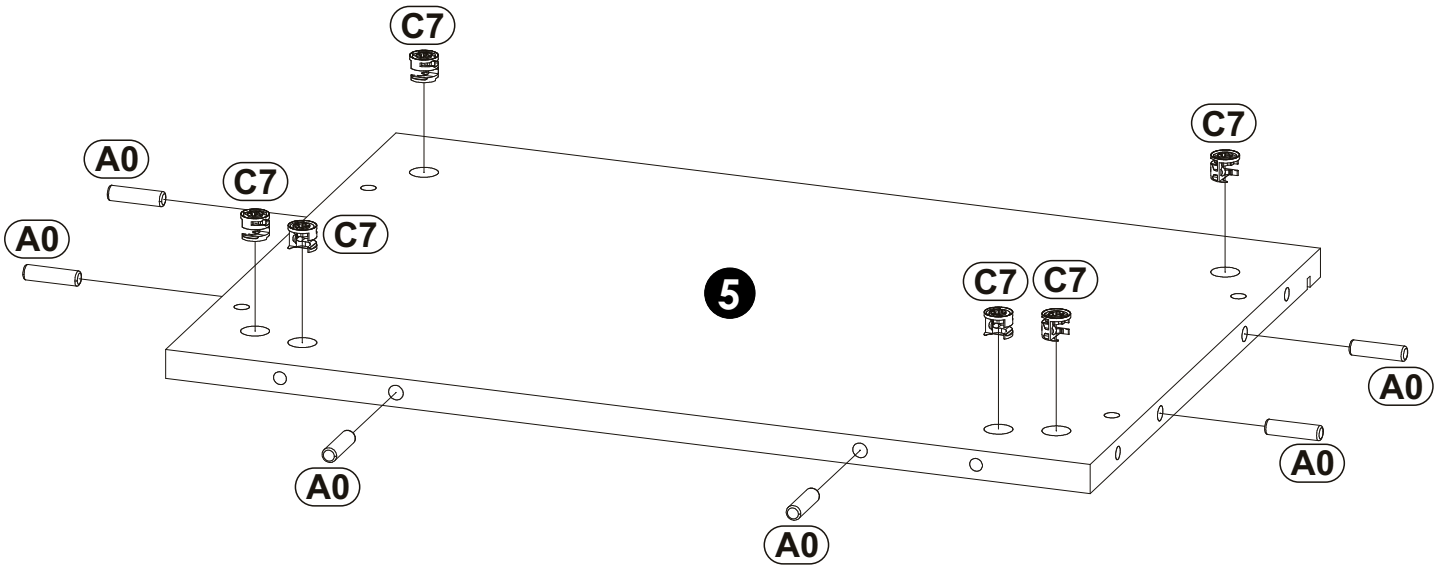
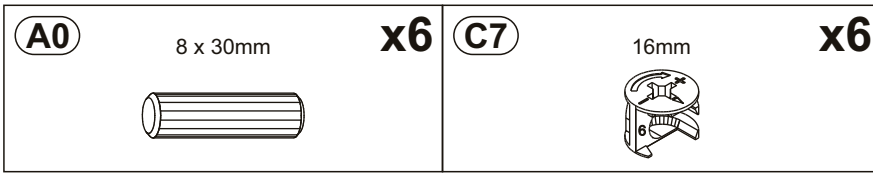


4

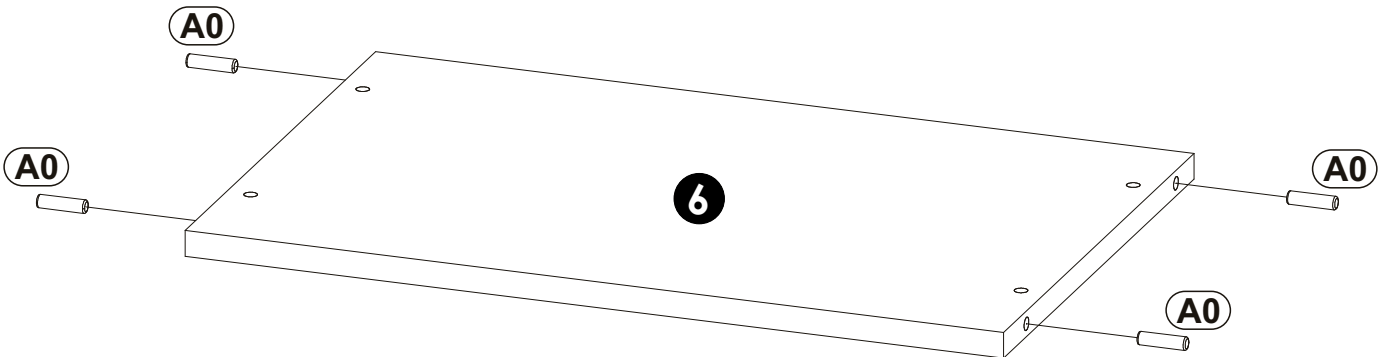
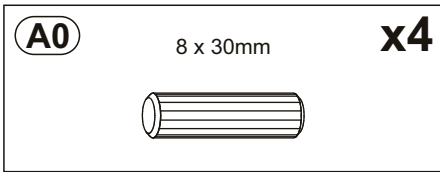
(A0) 8 x 30mm 	x4	(C2) 	x2	(C7) 16mm 	x4
(T3) 	x2				





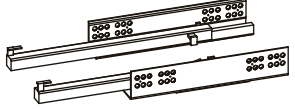
5

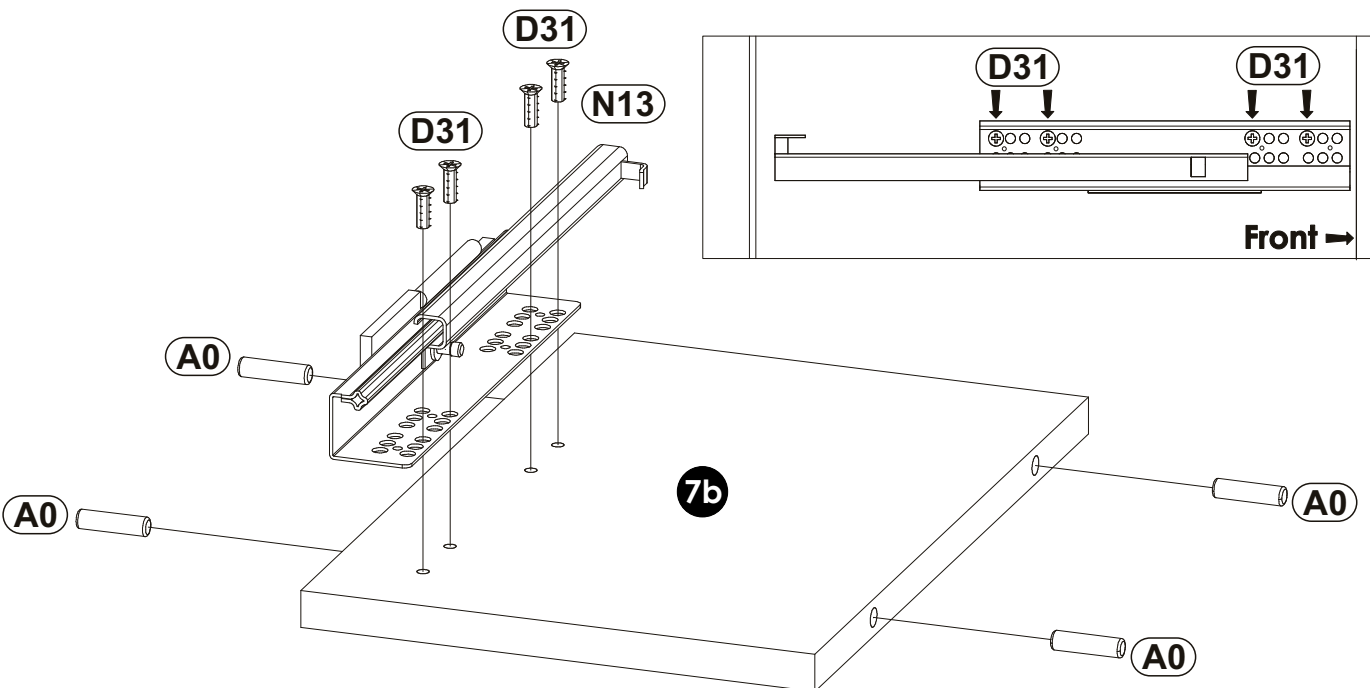
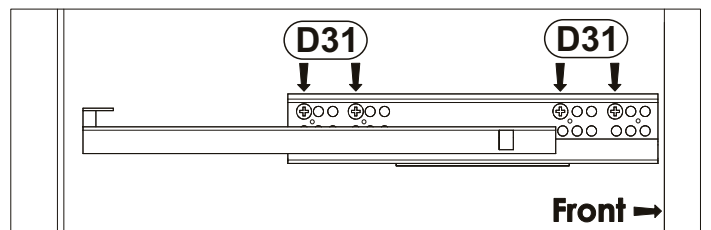
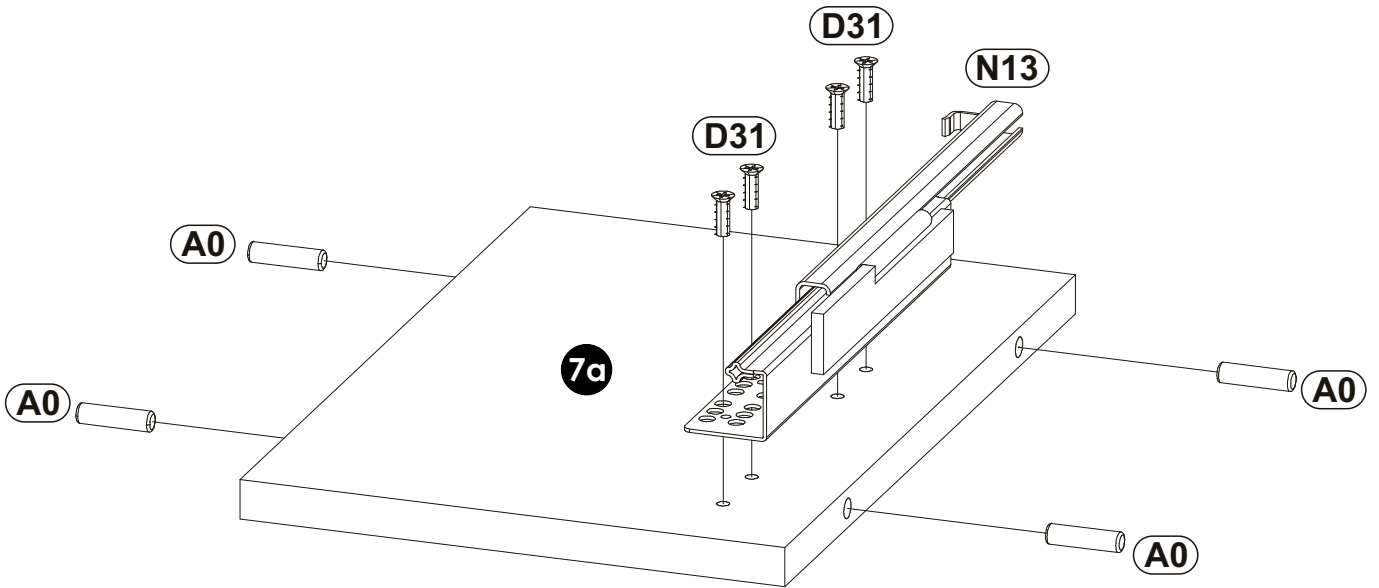
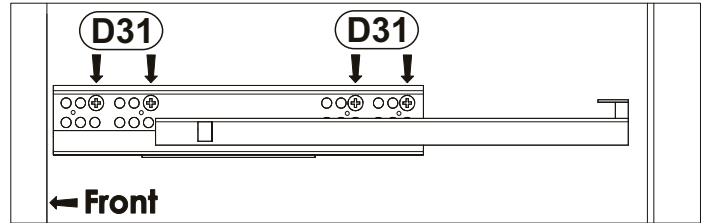


6

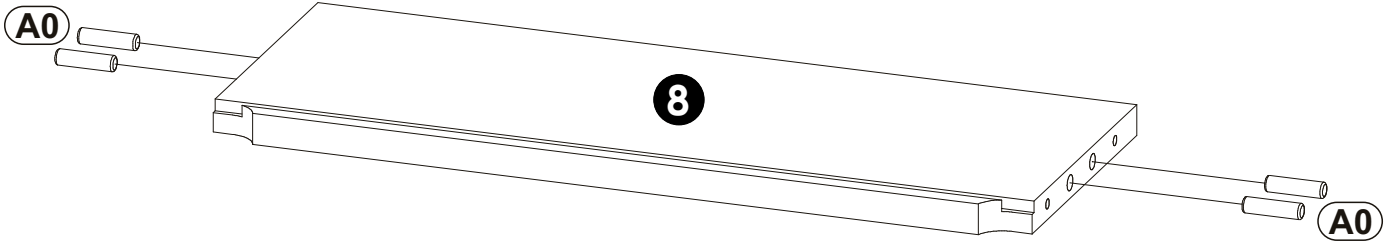
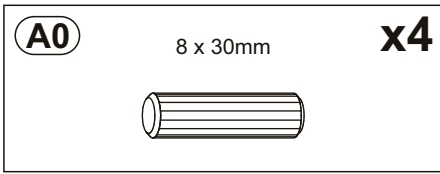


7

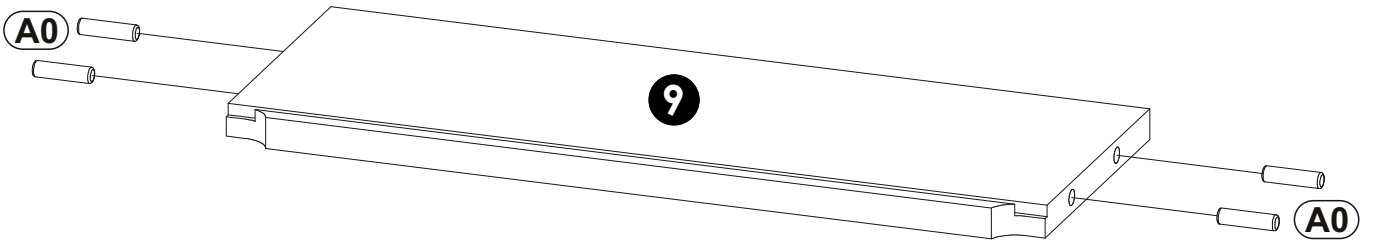
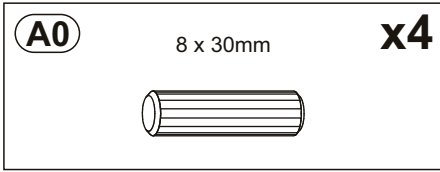
A0 8 x 30mm 	x8	D31 6.3 x 13 mm 	x8	N13 L-300 	x1
--	-----------	--	-----------	--	-----------



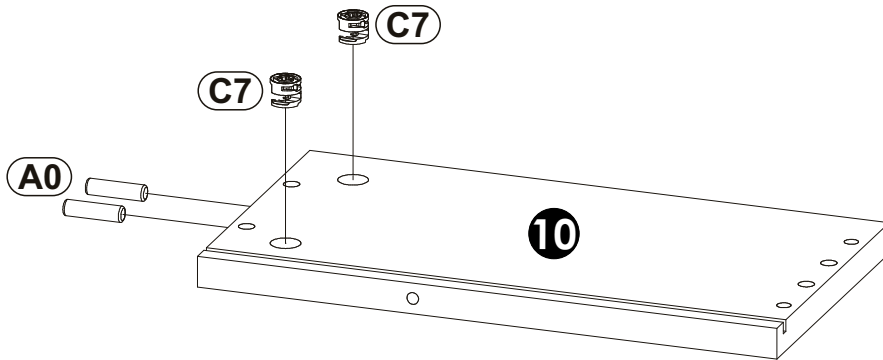
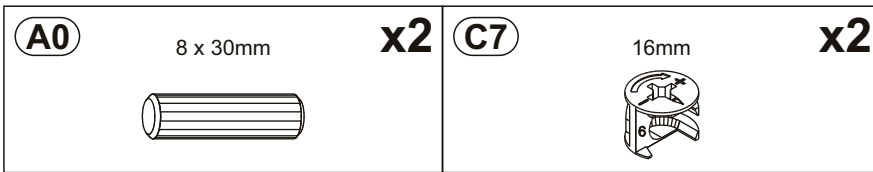
8



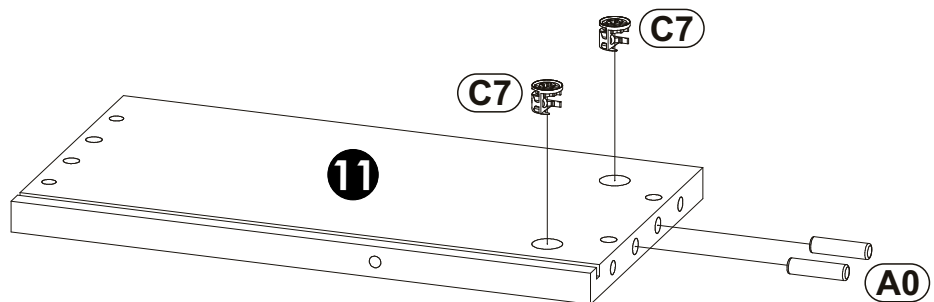
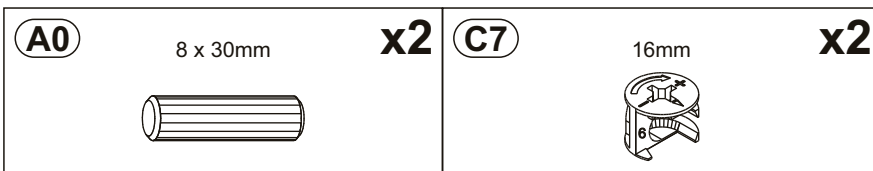
9



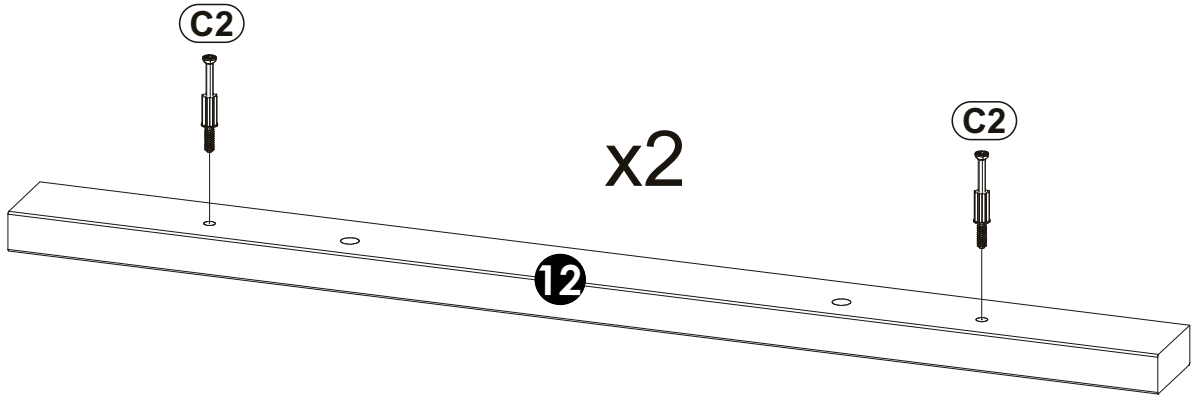
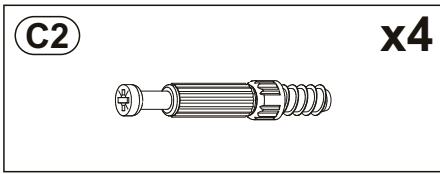
10



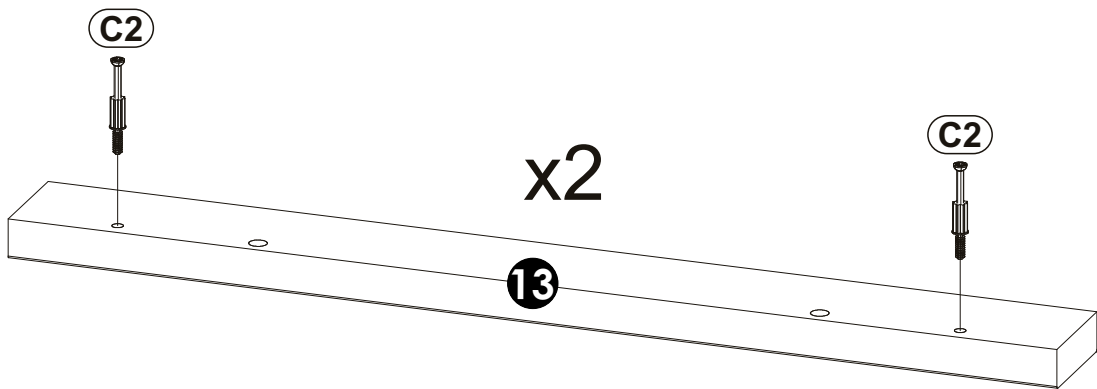
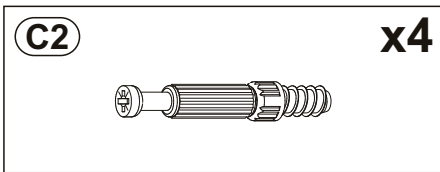
11



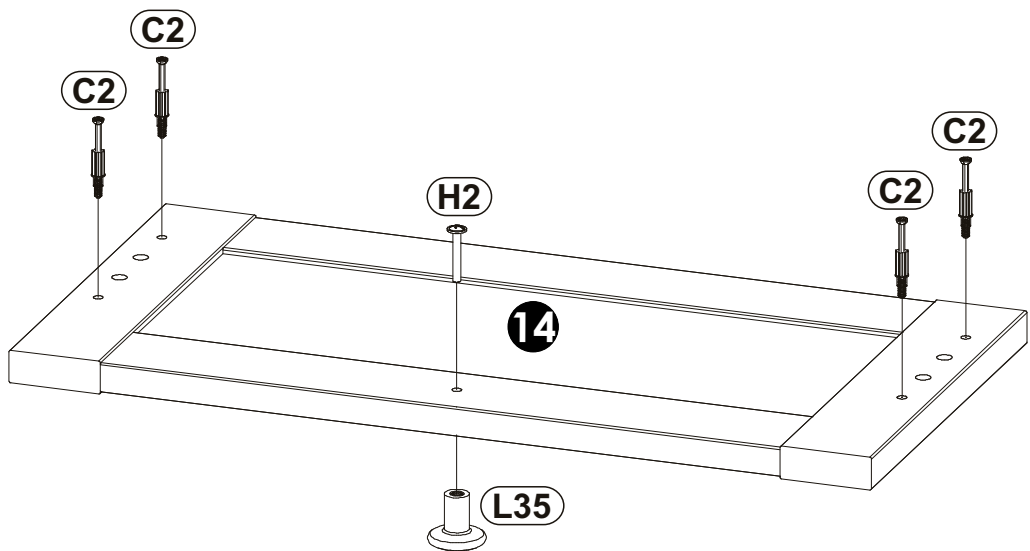
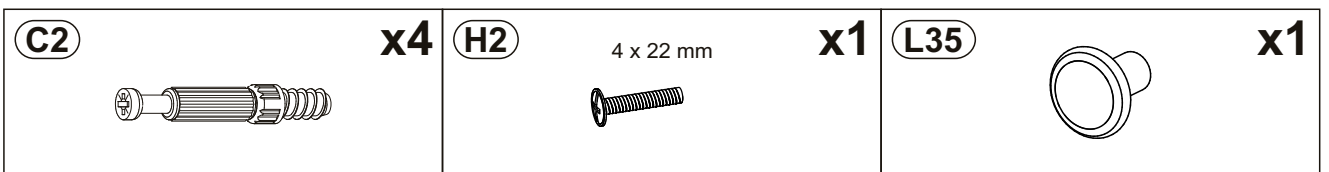
12



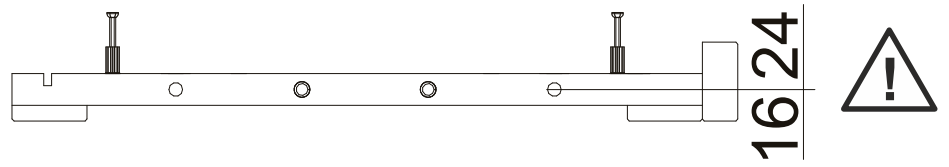
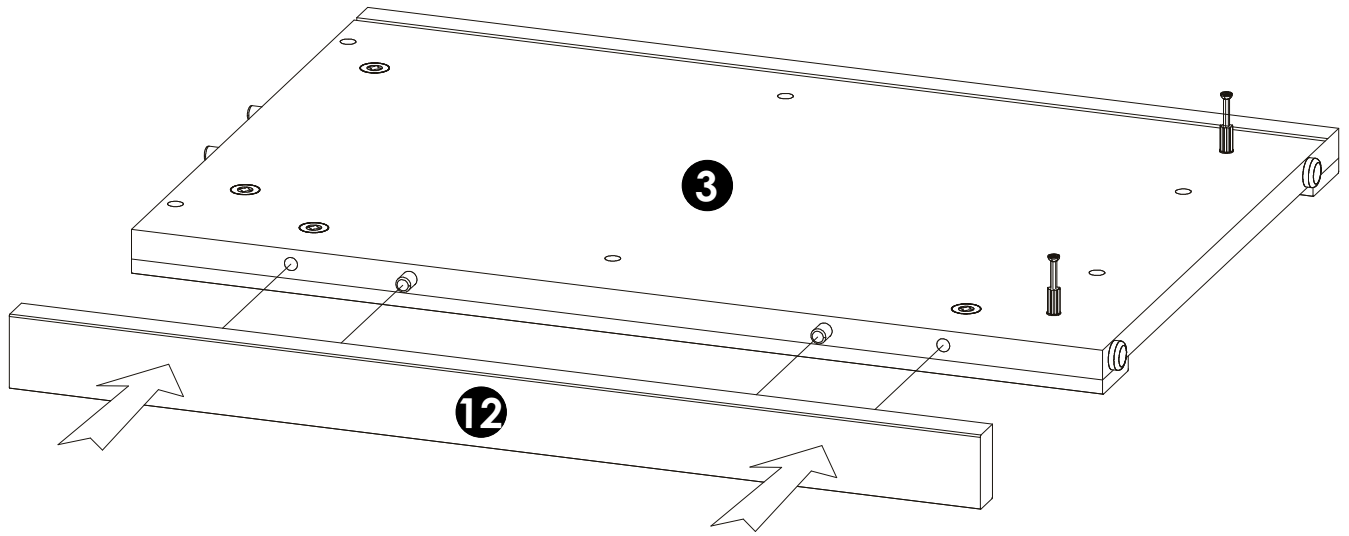
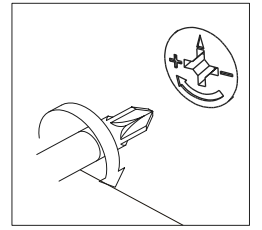
13



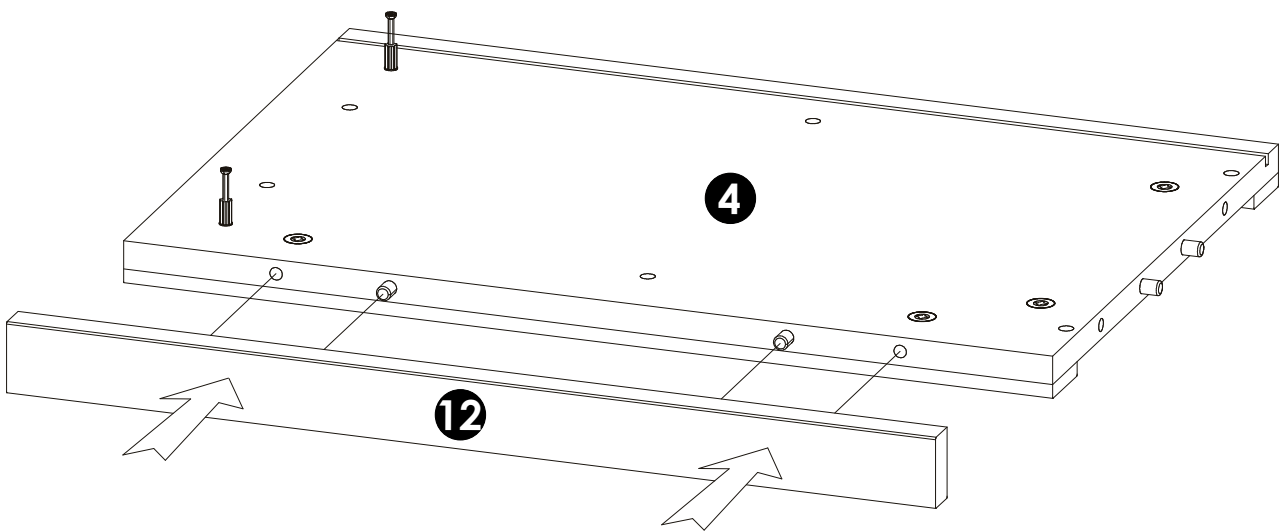
14



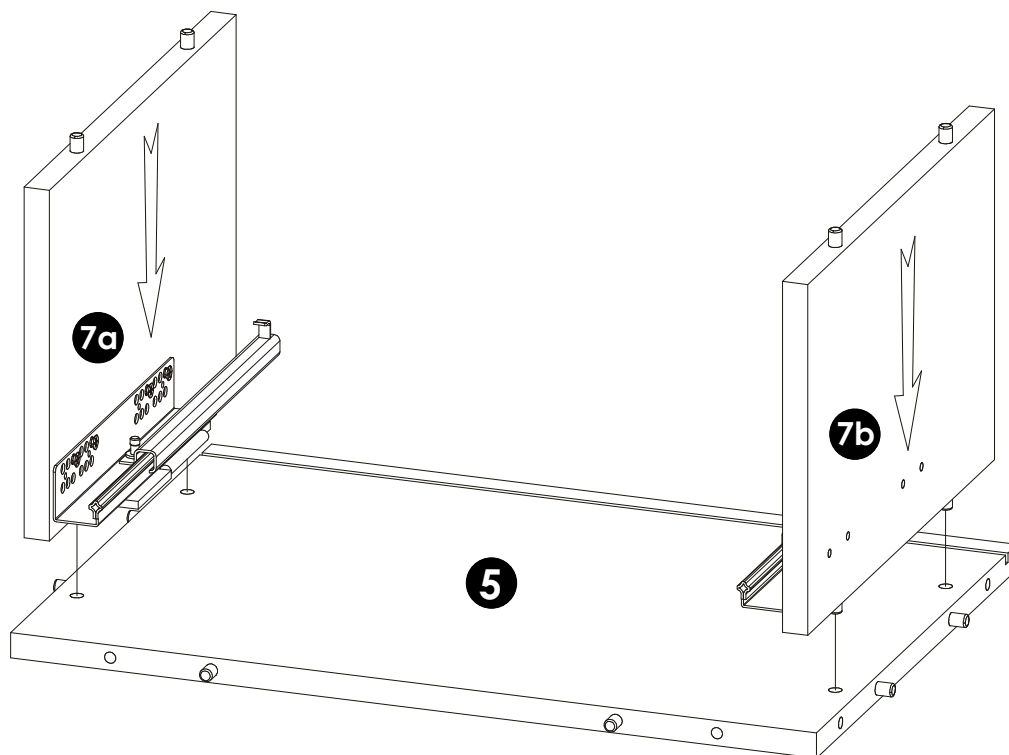
15



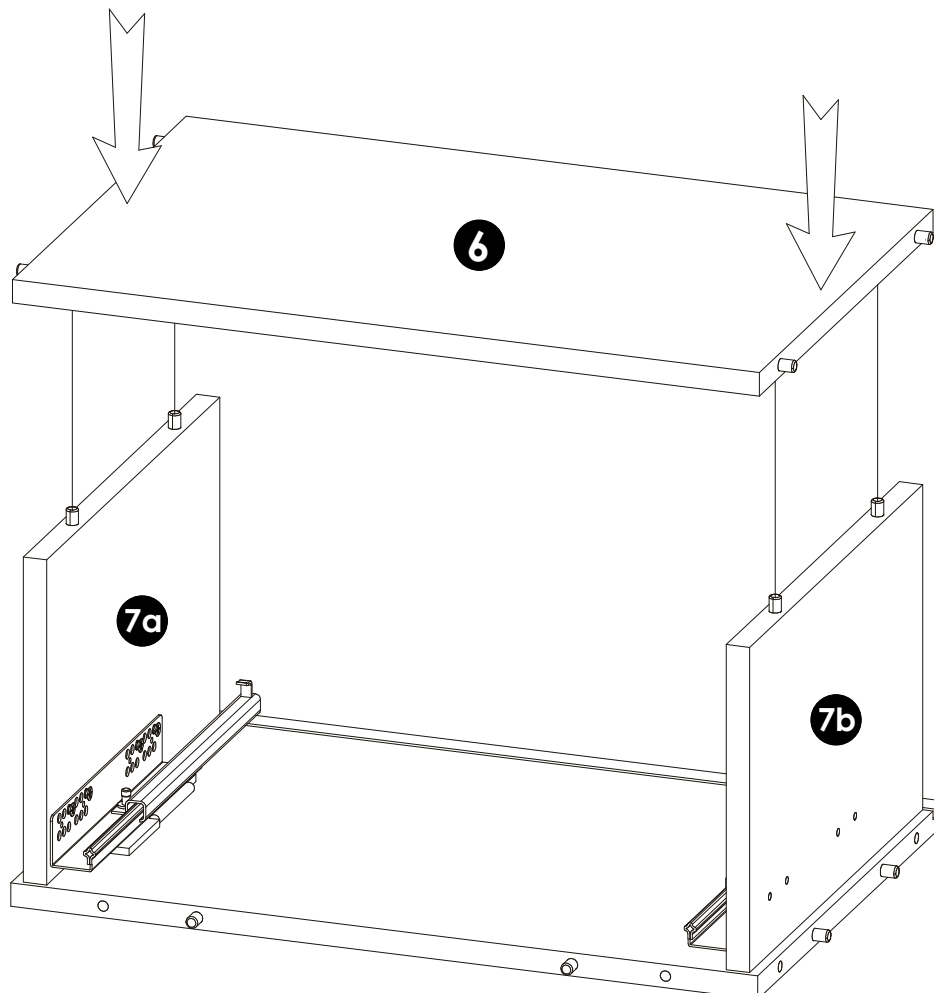
16



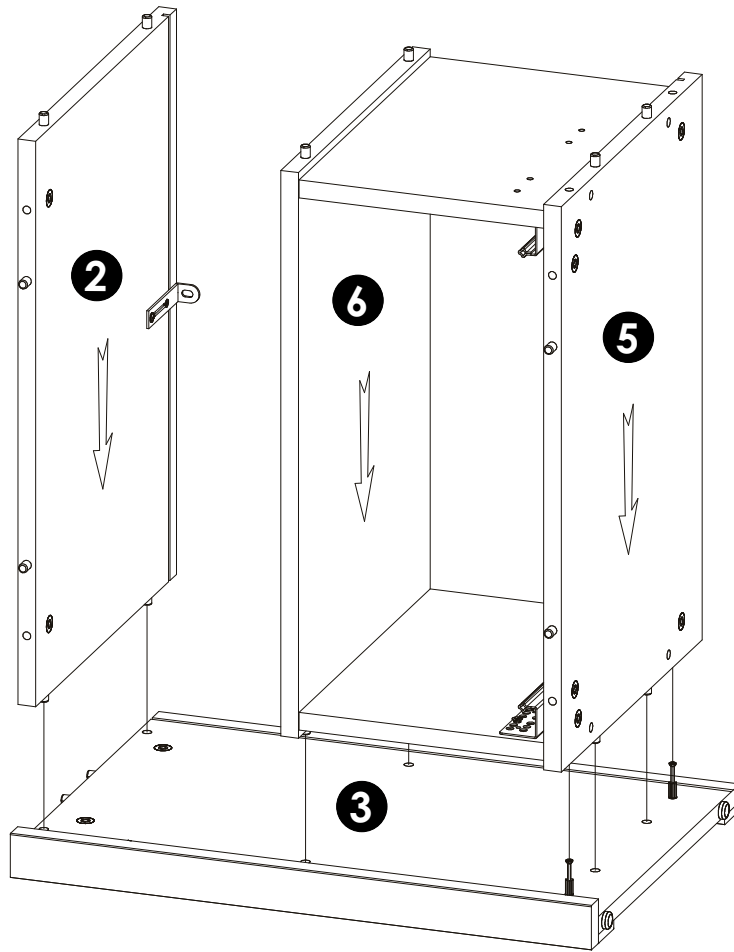
17



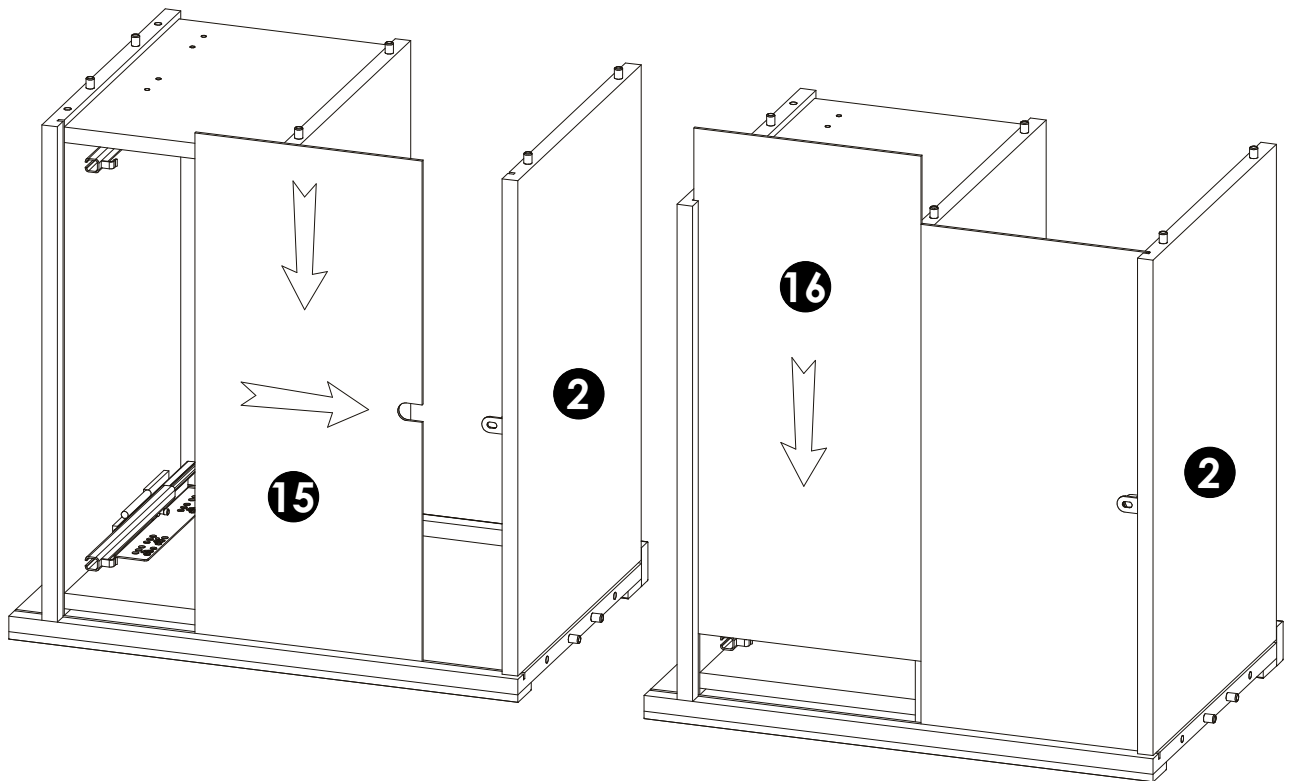
18



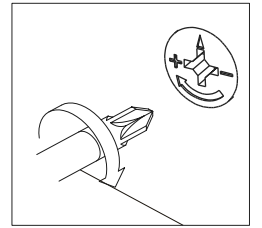
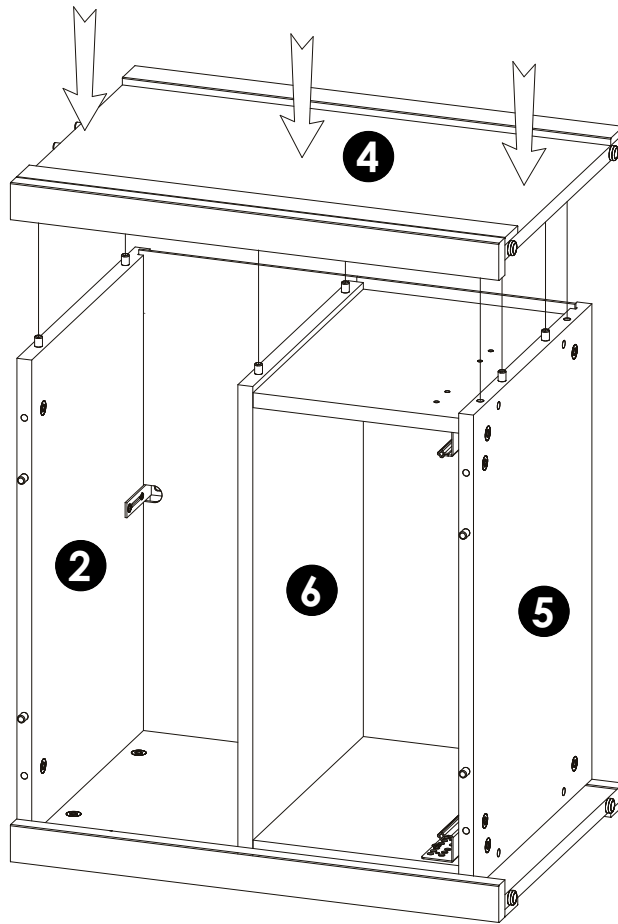
19



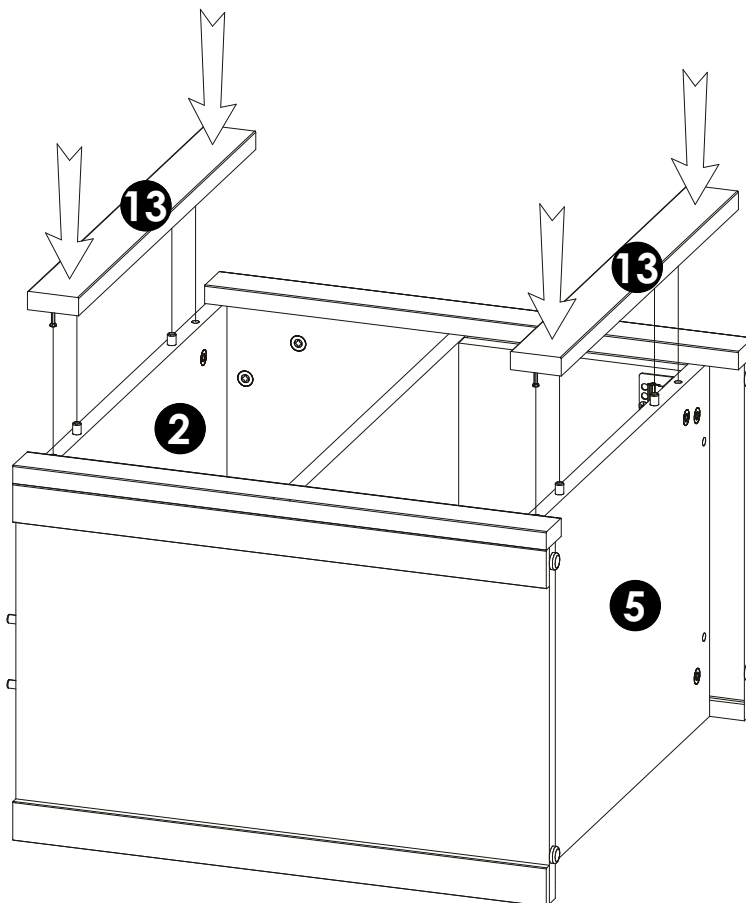
20



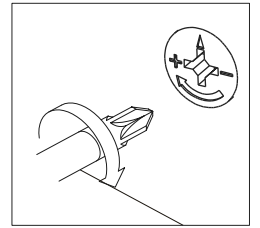
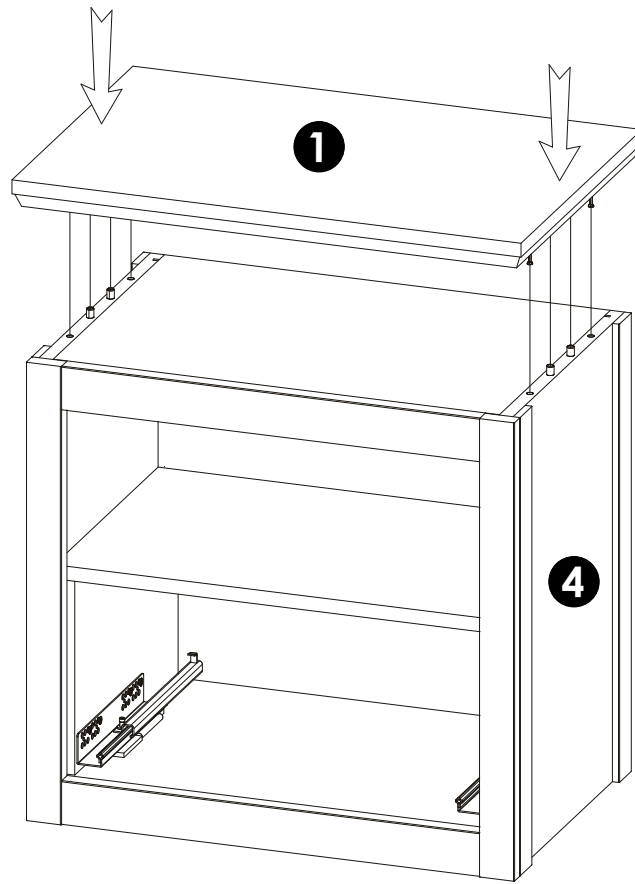
21





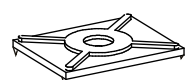
22

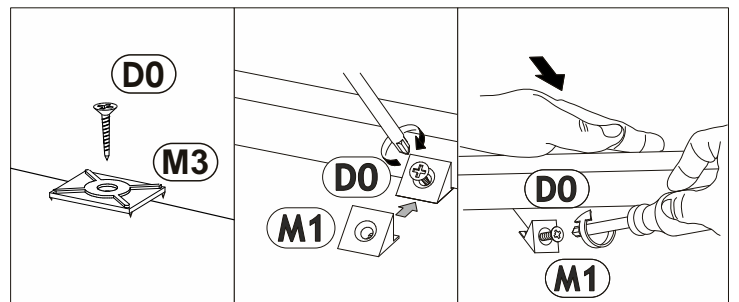
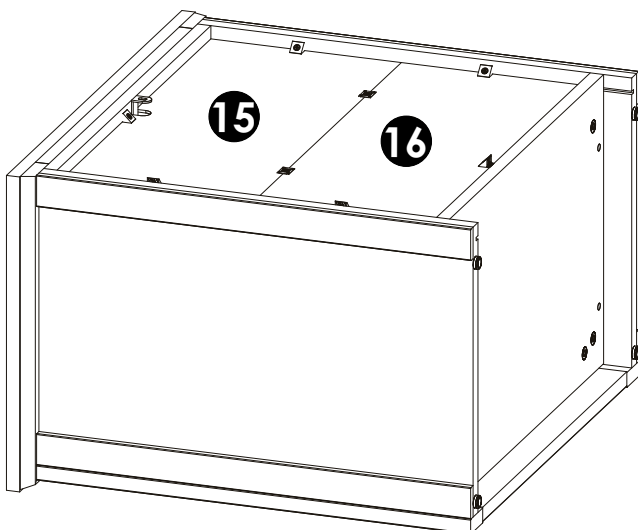
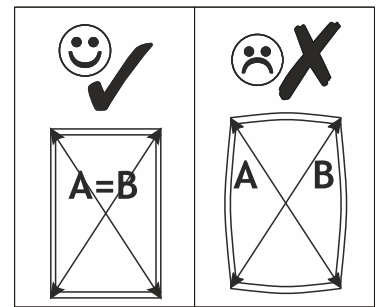
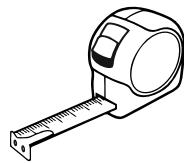


23



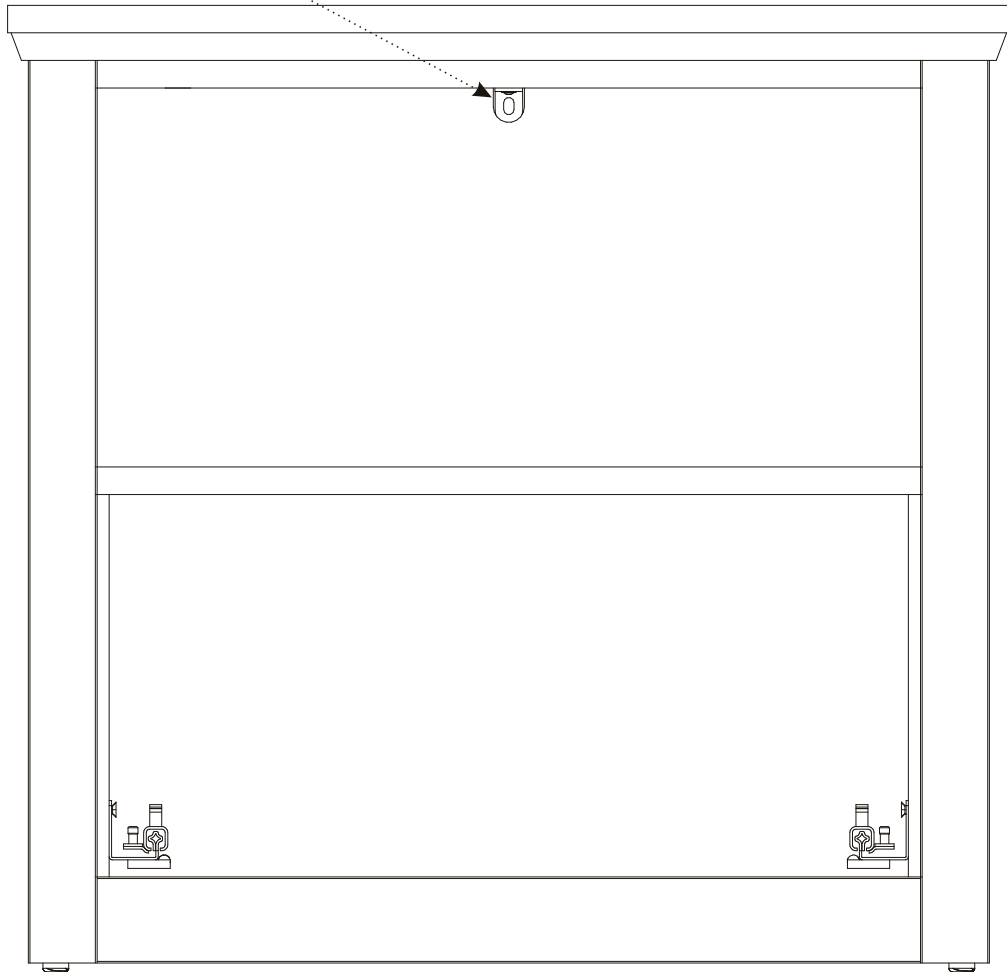
24

(D0)	3 x 15 mm	x8	(M1)		x6	(M3)		x2
								

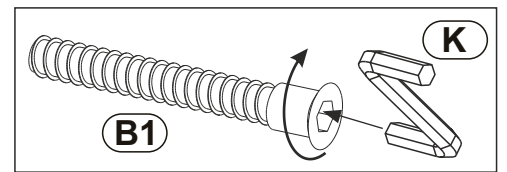
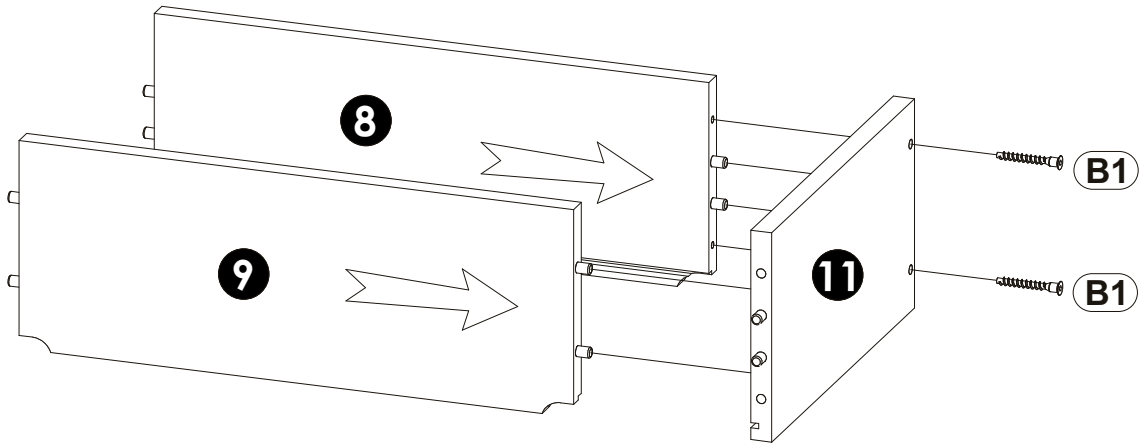
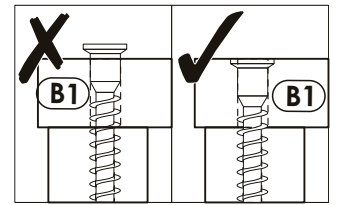
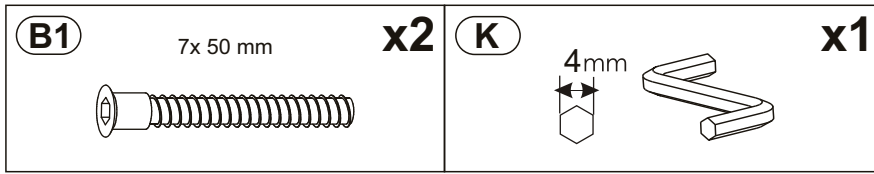


25

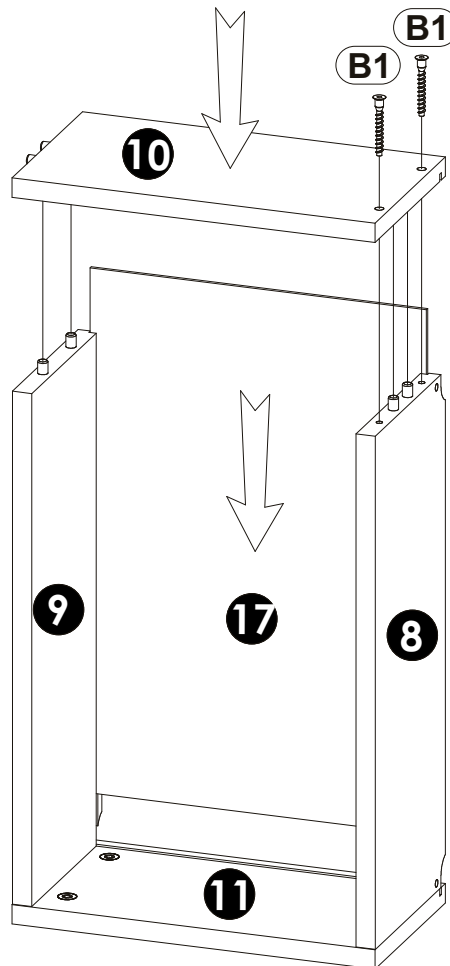
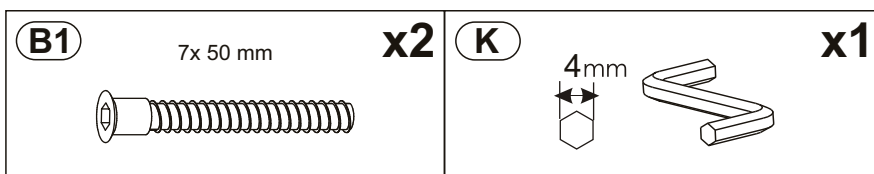
E0 5 x 50 mm **x1**
8 x 50 mm



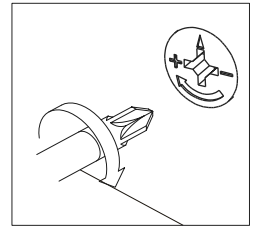
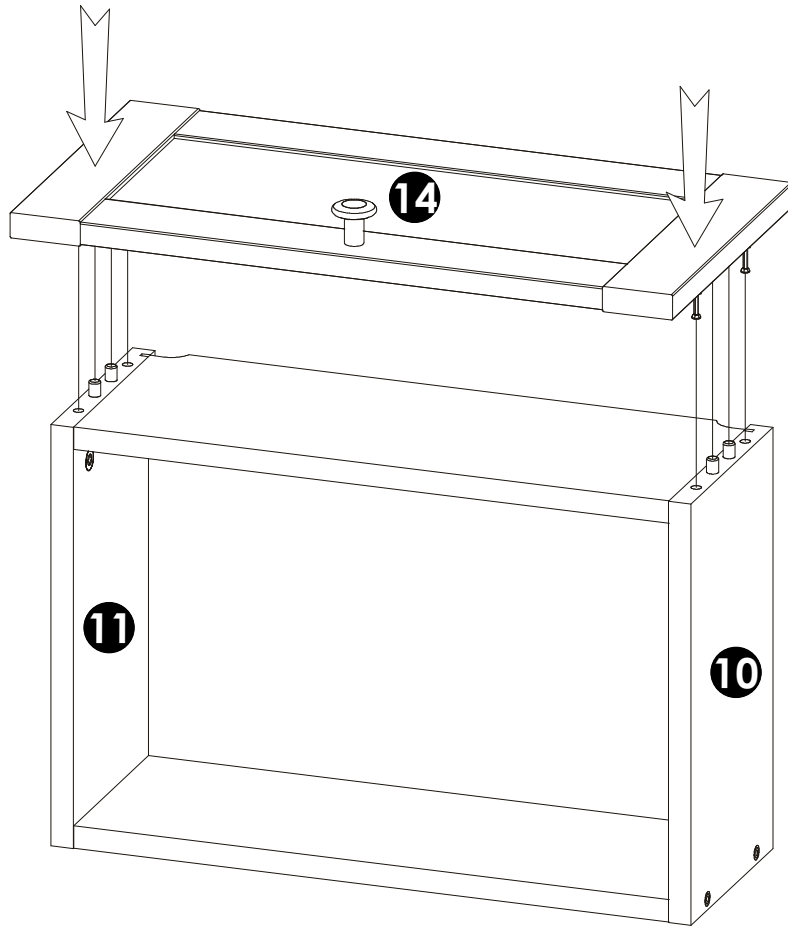
26





27

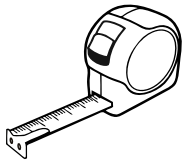


28

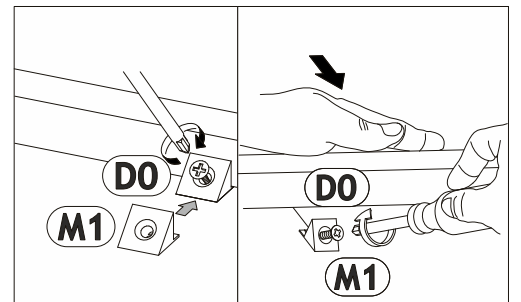
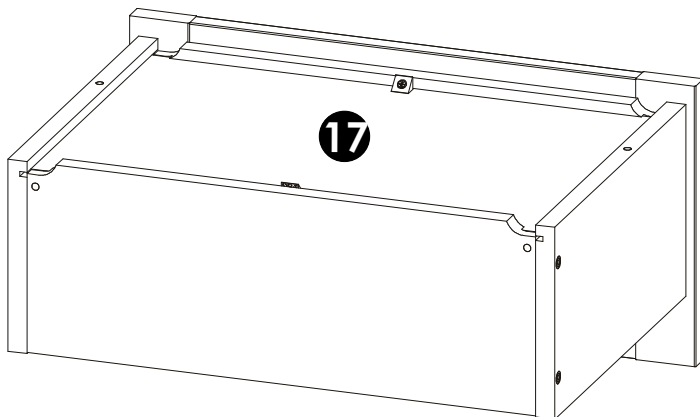
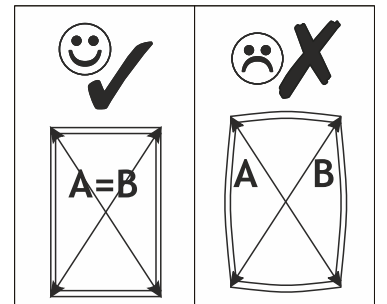
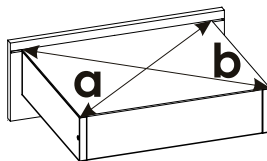


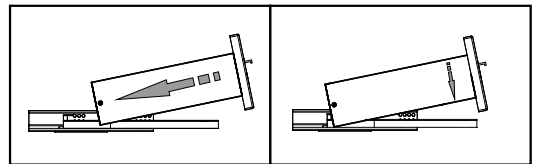
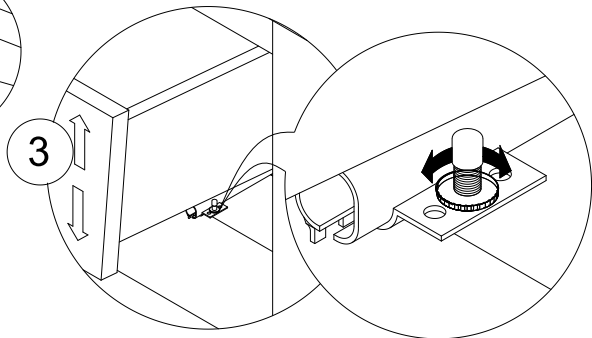
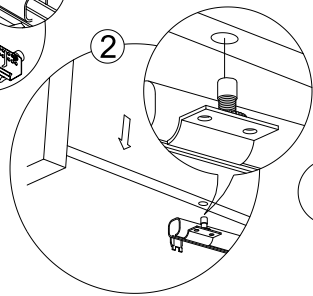
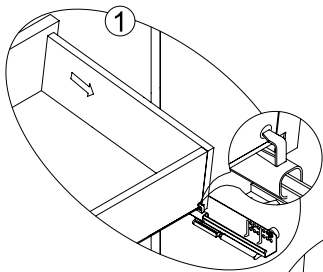
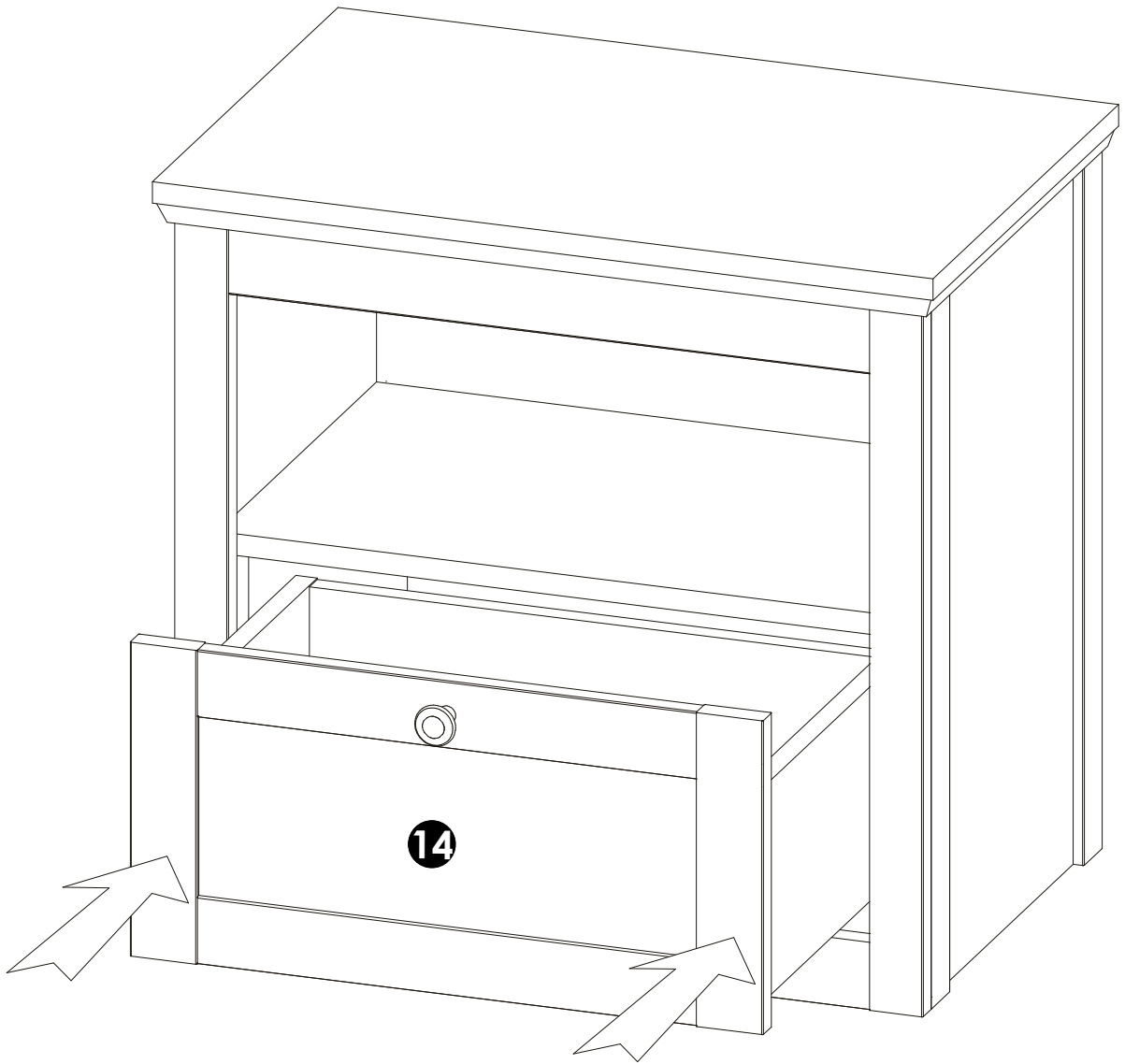
29

(D0)	3 x 15 mm	x2	(M1)		x2
					



a=b





31

