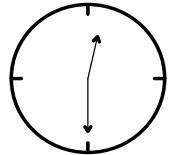
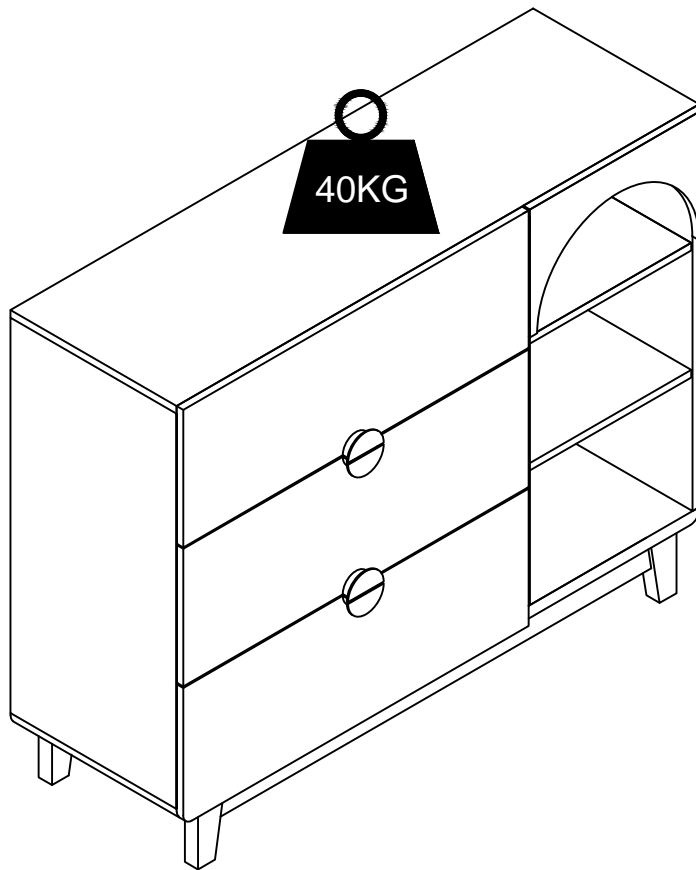


04890170-01

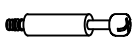



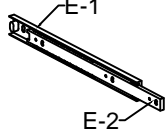

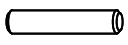
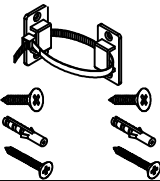







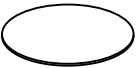
ENNY

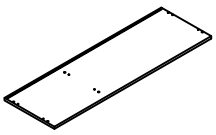
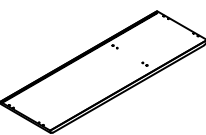
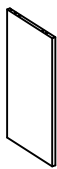

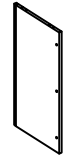

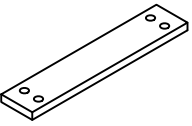


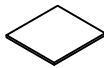
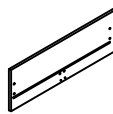
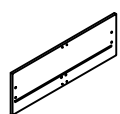
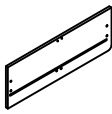
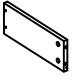

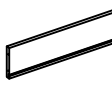
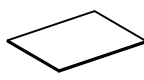

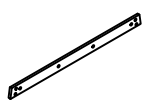

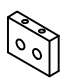

BDSK Handels GmbH & Co. KG  
Mergentheimer Straße 59  
DE-97084 Würzburg  
Germany  
E-Mail: info@moemax.at

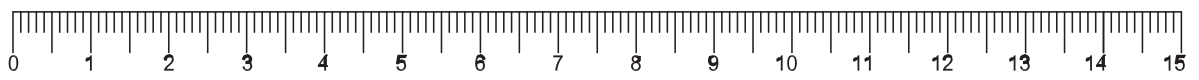


30min

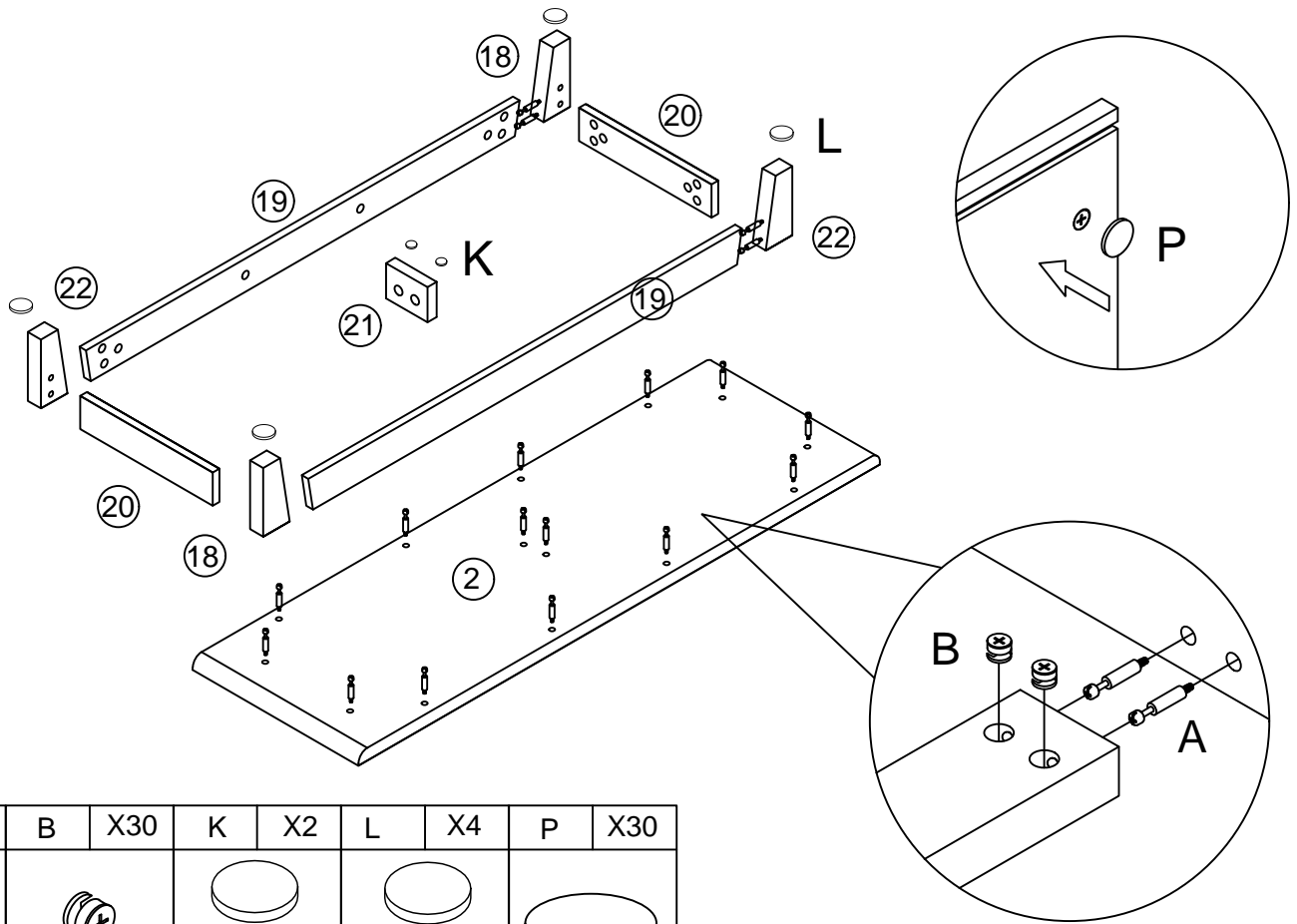


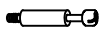


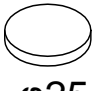

A	X90	B	X90	C	X24	D	X12	E	X6	F	X4
				 3.5*14		 3.5*35		 E-1 E-2			
G	X12	H	X2	I	X22	J	X22	K	X2	L	X4
				 3*16				 φ15		 φ25	
M	X8	N	X8	O	X1	P	X90				
 M4*20		 M4									

①	X1	②	X1	③	X1	④	X1	⑤	X1	⑥	X1
											
⑦	X6	⑧	X1	⑨	X2	⑩	X2	⑪	X1	⑫	X1
											
⑬	X1	⑭	X3	⑮	X3	⑯	X3	⑰	X3	⑱	X2
											
⑲	X2	⑳	X2	㉑	X1	㉒	X2				
											

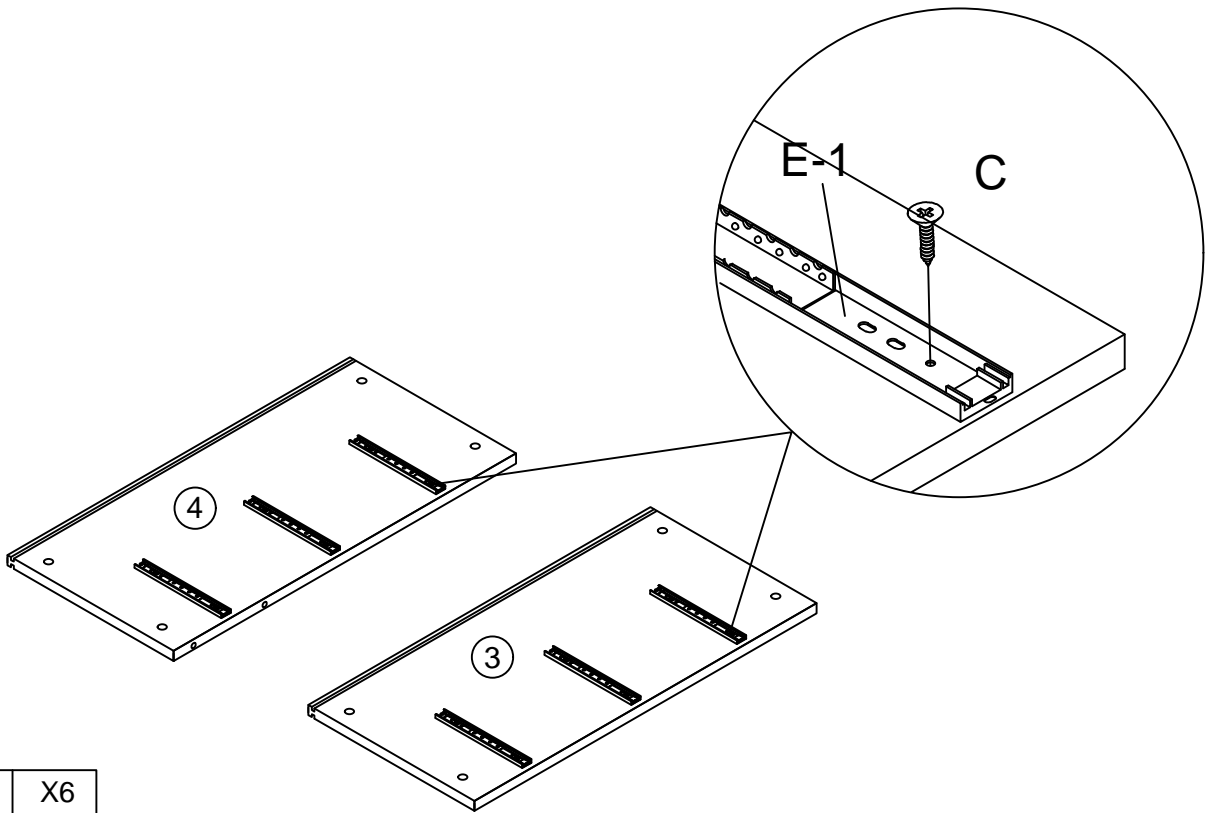



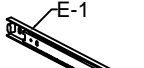
1

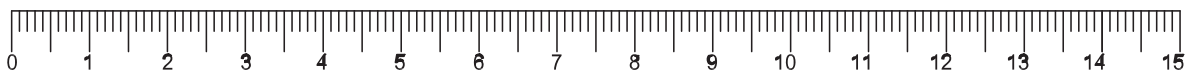


A	X30	B	X30	K	X2	L	X4	P	X30
									
				φ15		φ25			

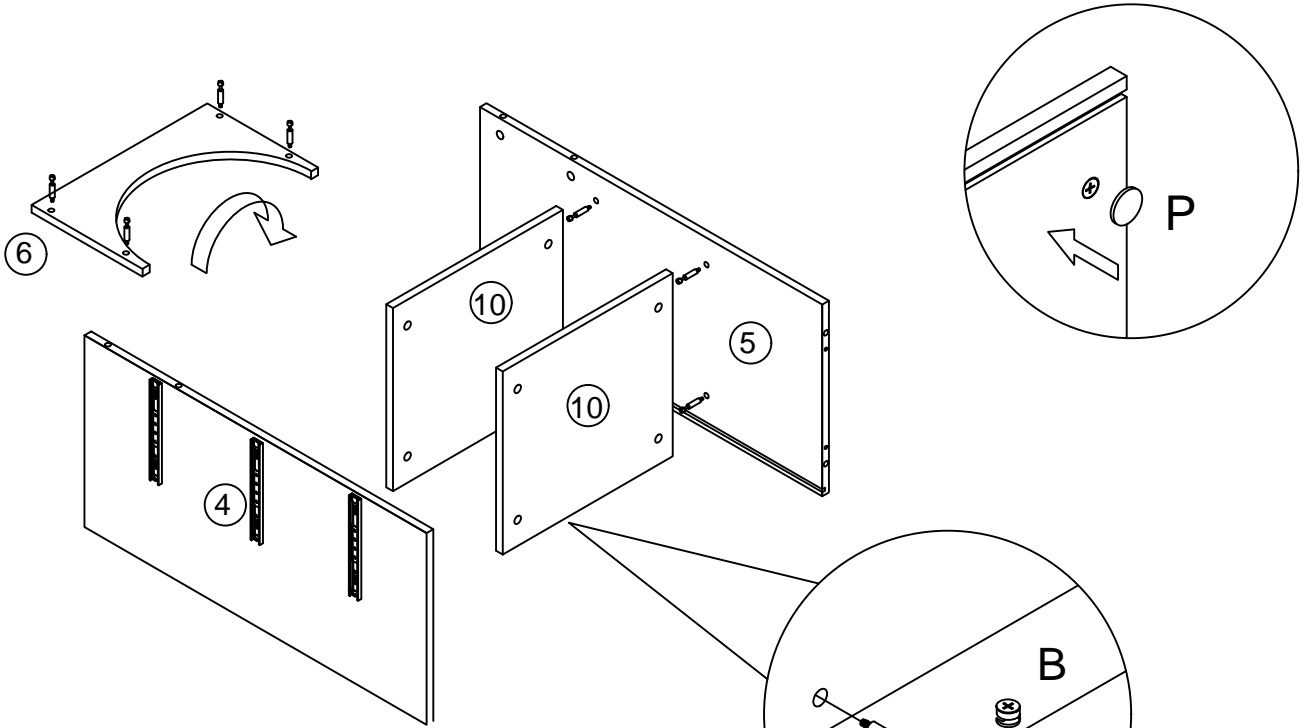
2

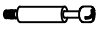




C	X12	E-1	X6
			
3.5*14		E-2	

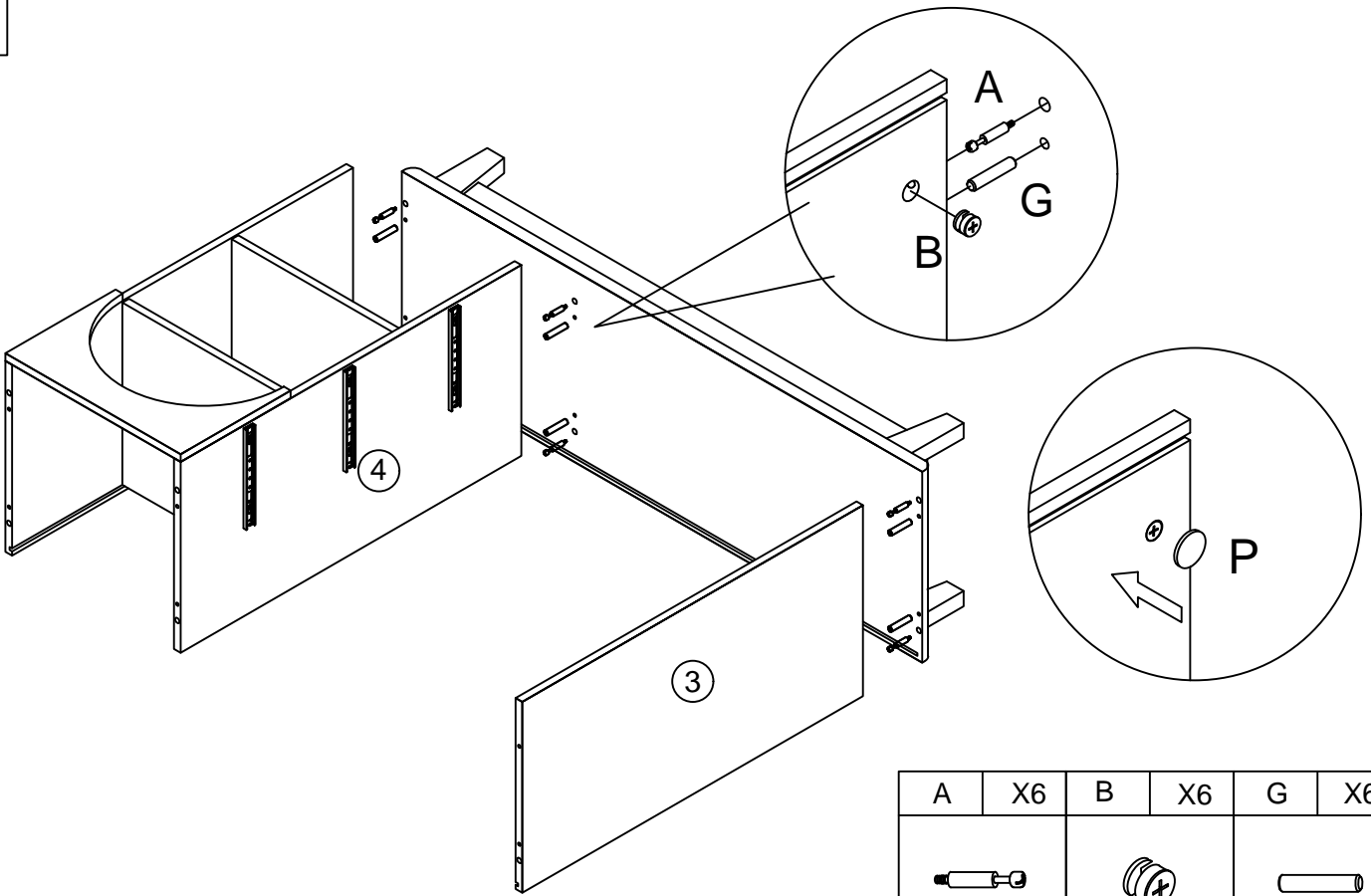


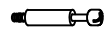

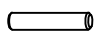
3

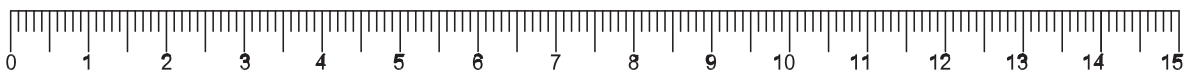


A	X12	B	X12	P	X12
					

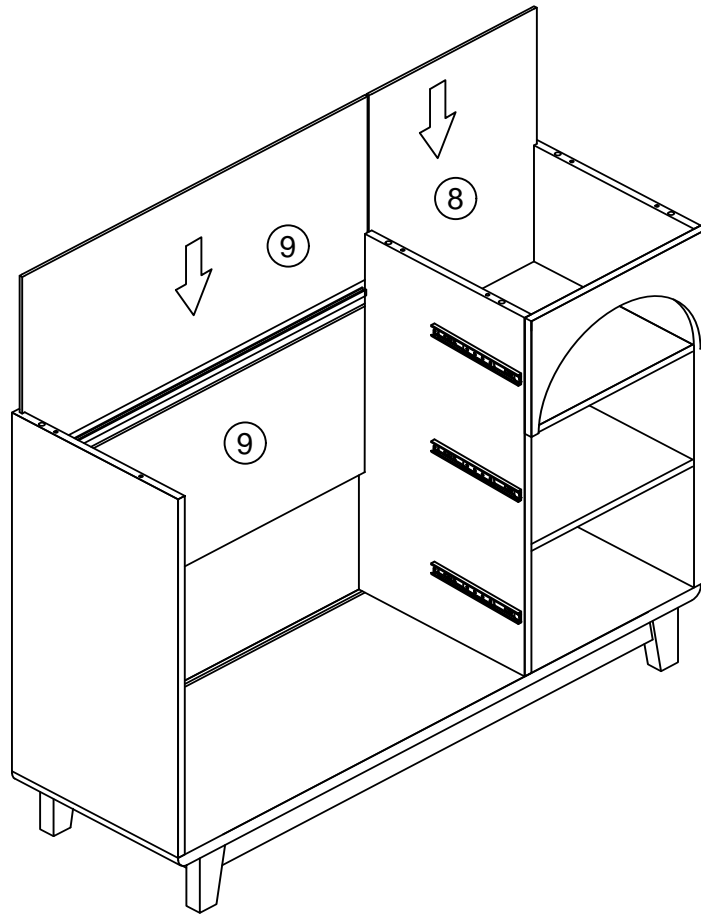
4



A	X6	B	X6	G	X6
					

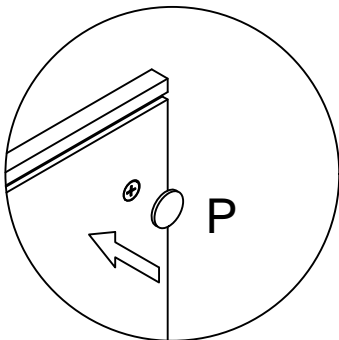
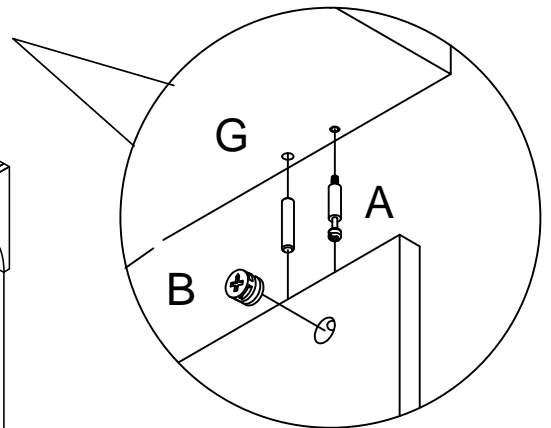
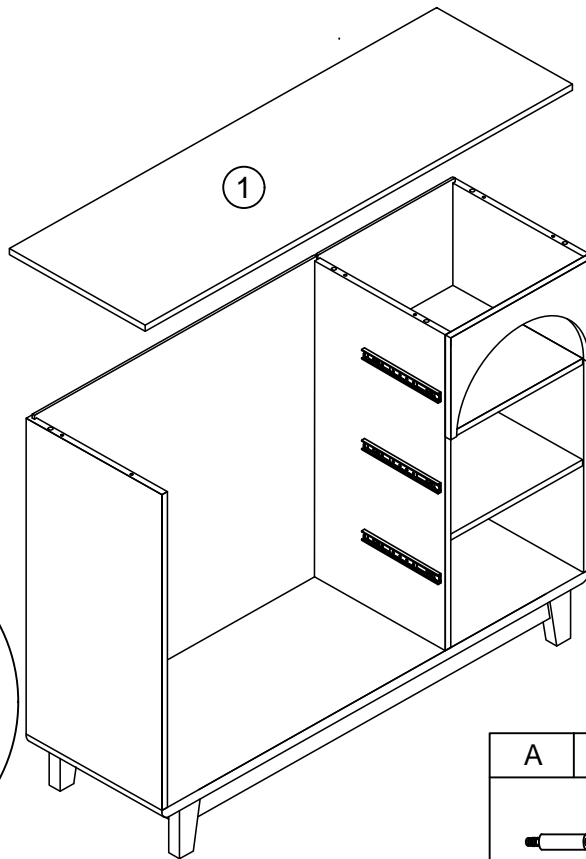


5

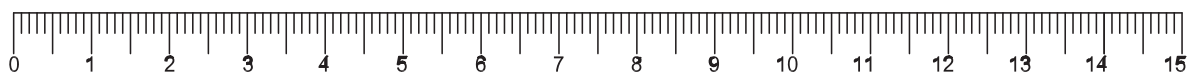


O	X1


6

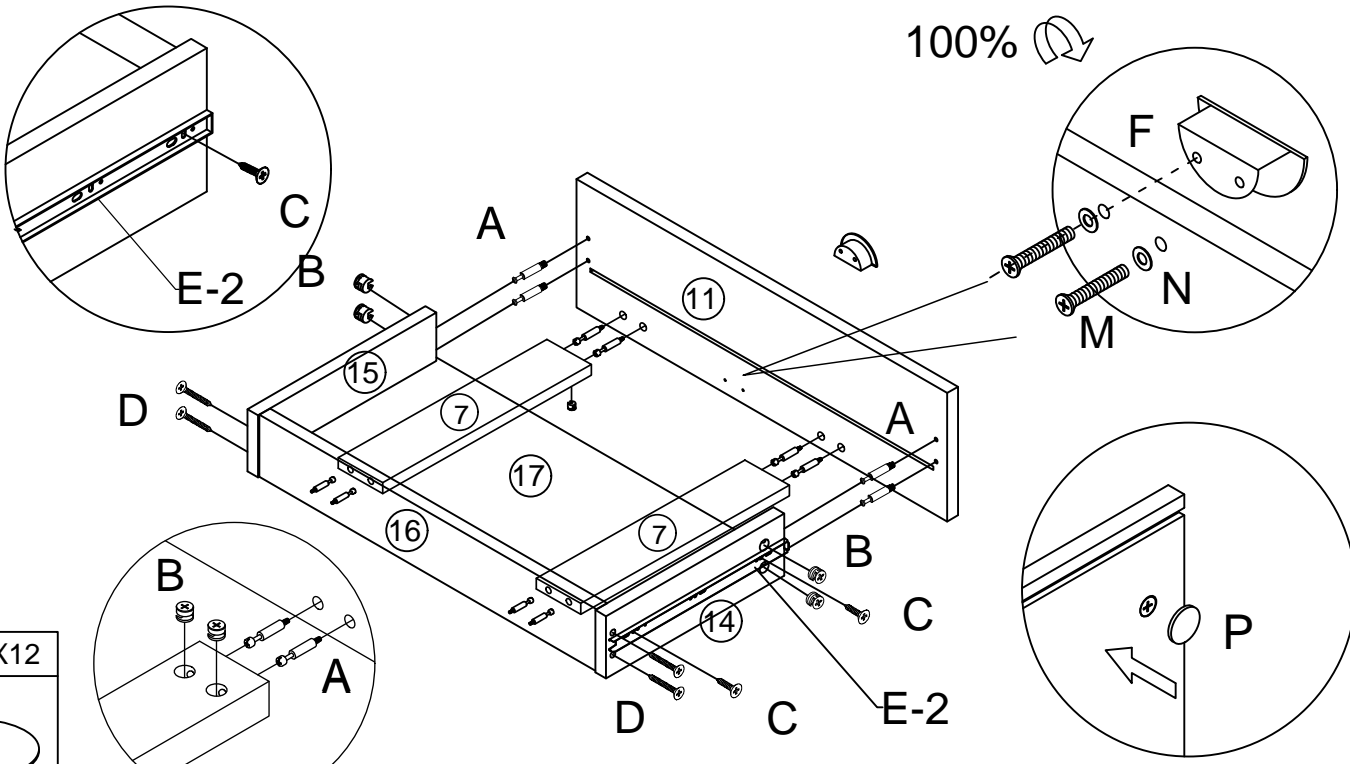



A	X6	B	X6	G	X6	P	X6

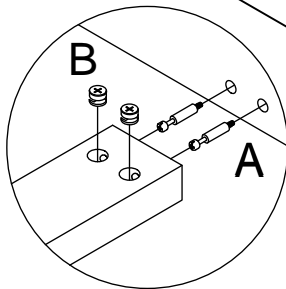


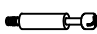



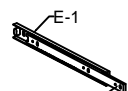



7

100% 




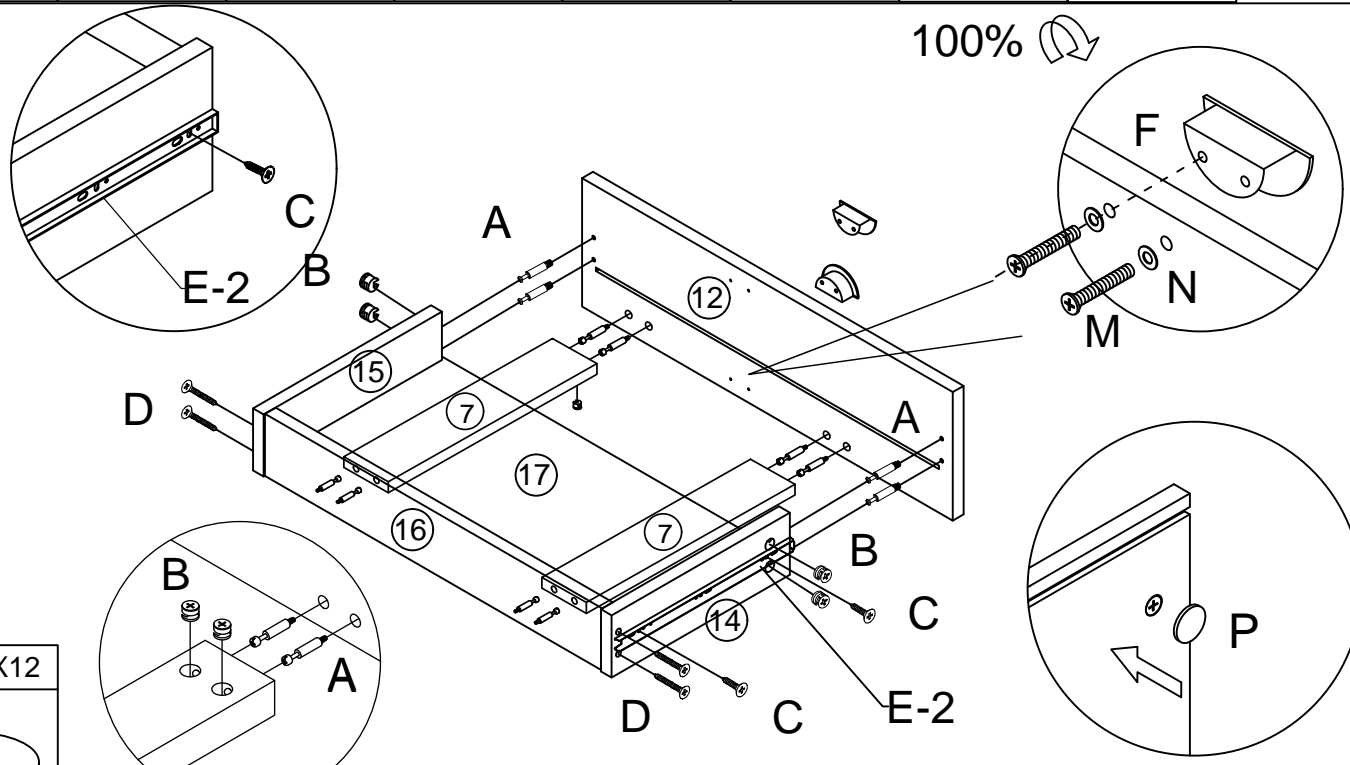
P	X12
	




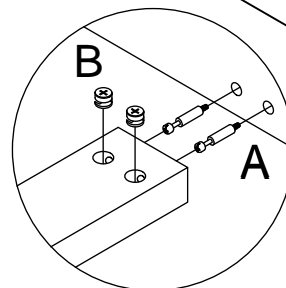
A	X12	B	X12	C	X4	D	X4	E-2	X2	F	X1	M	X2	N	X2
															

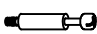



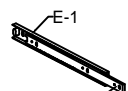



8

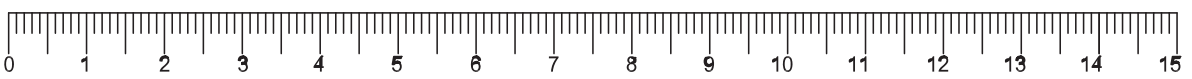
100% 



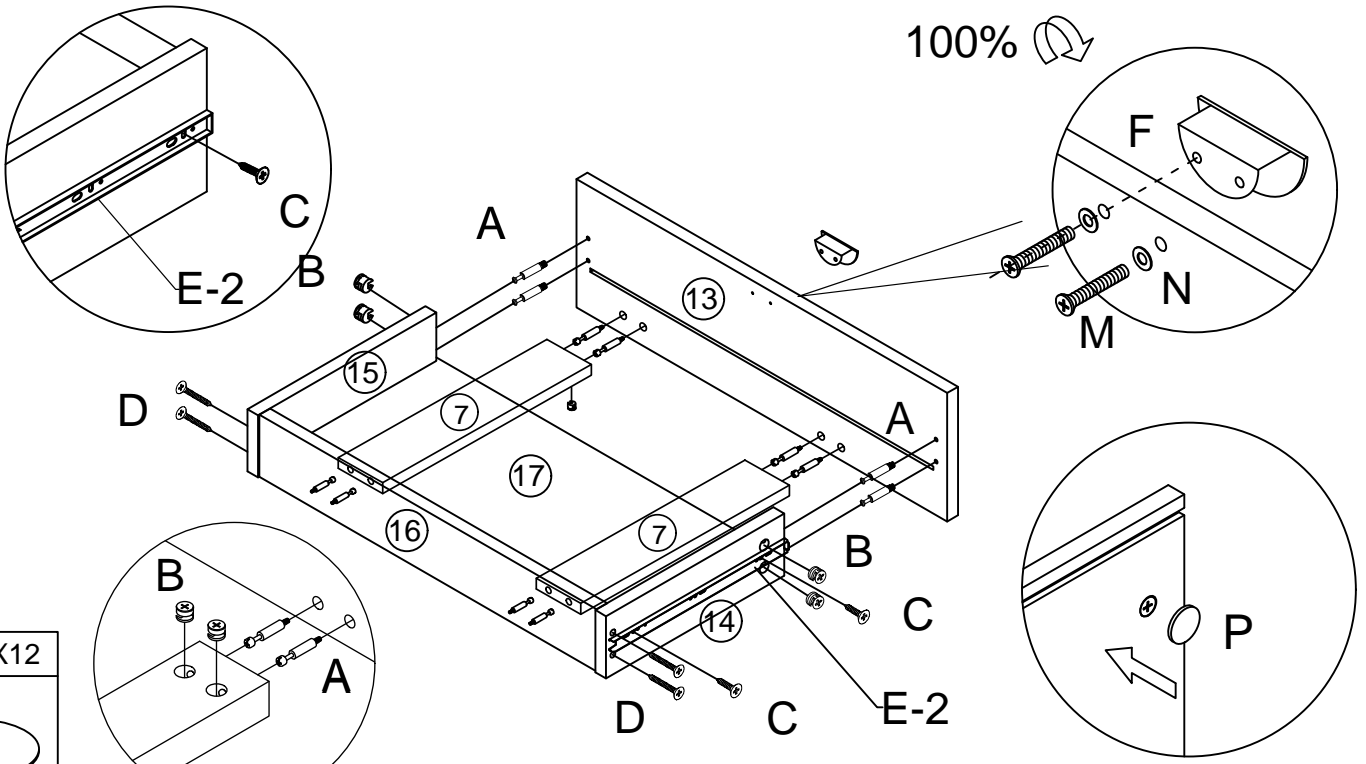
P	X12
	



A	X12	B	X12	C	X4	D	X4	E-2	X2	F	X2	M	X4	N	X4
															



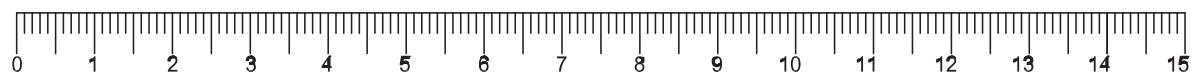
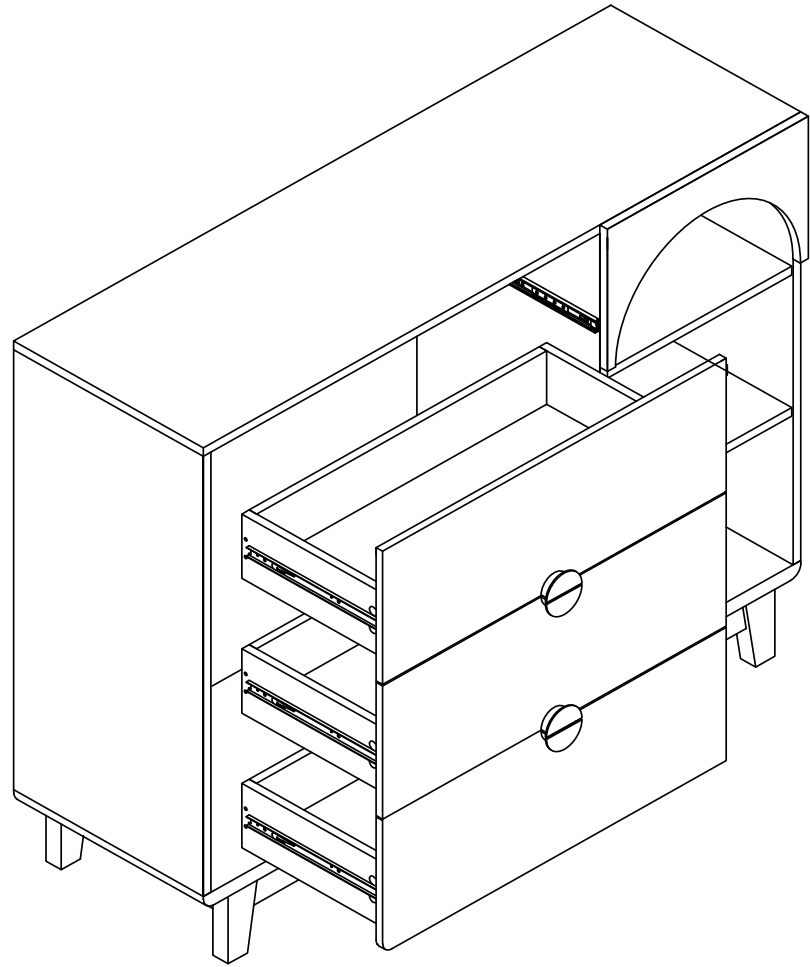
9



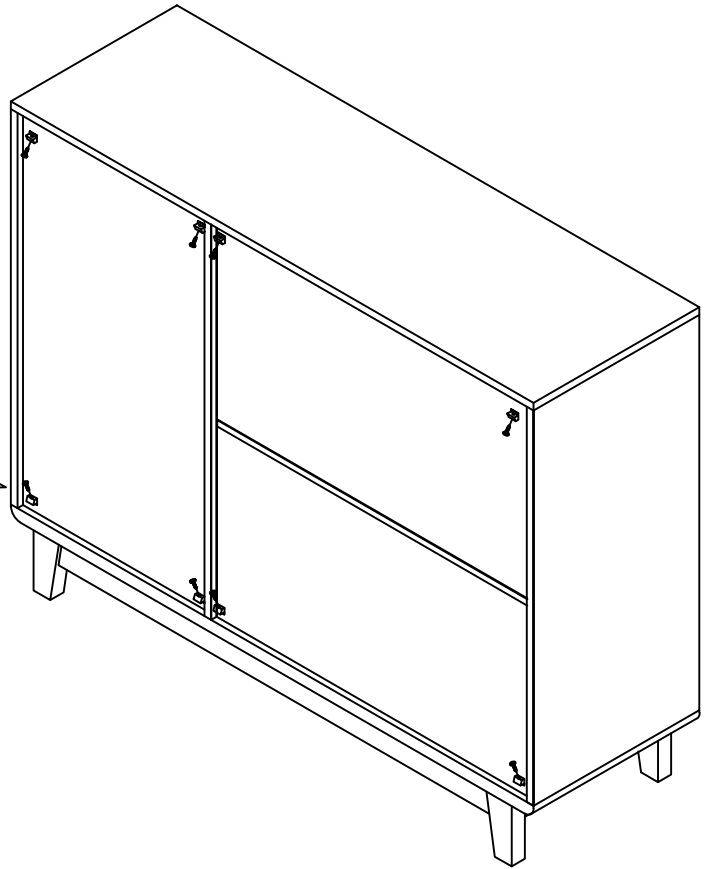
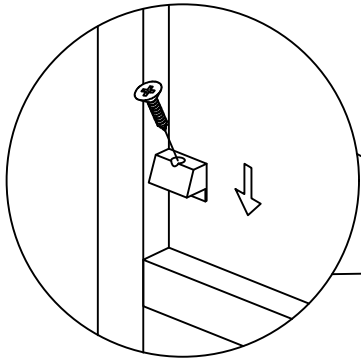
P	X12



A	X12	B	X12	C	X4	D	X4	E-2	X2	F	X1	M	X2	N	X2
				3.5*14		3.5*35		E-1 E-2							

10

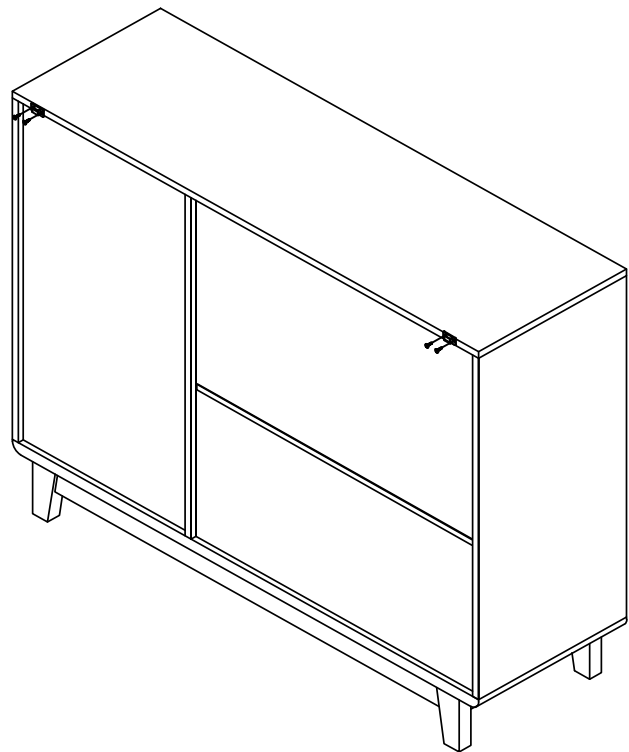
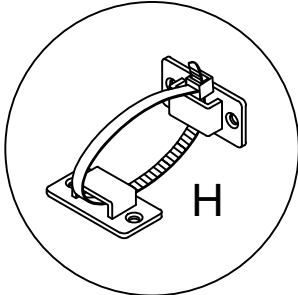
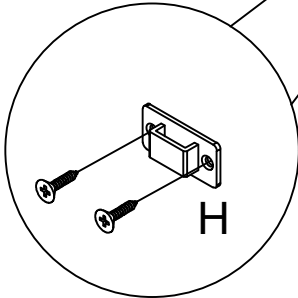
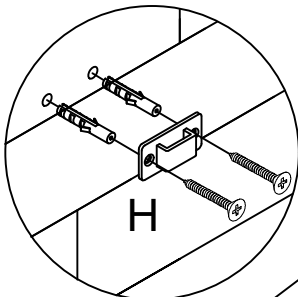






11

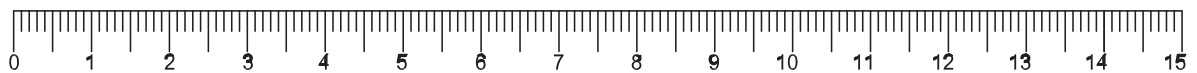


I	X22	J	X22
 3.5*14			

12



H	X4	H	X2	H	X4	H	X4
						 3.5*45	



13

