



BDSK Handels GmbH & Co. KG
Mergentheimer Strasse 59
DE-97084 Würzburg
Germany

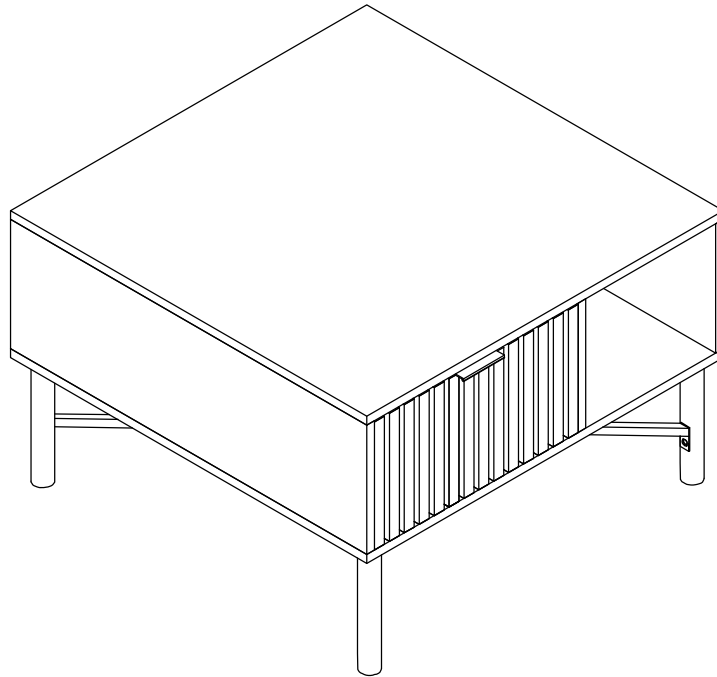
26870345-09 Gunvor
BDSK Handels GmbH & Co.KG
Mergentheimer Strasse 59
DE-97084 Würzburg,Germany
Info@moemax.at



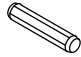
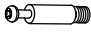

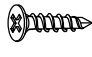




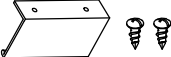




* 9 0 1 0 5 8 1 5 0 7 5 *

ASSEMBLING INSTRUCTION

26870345-09

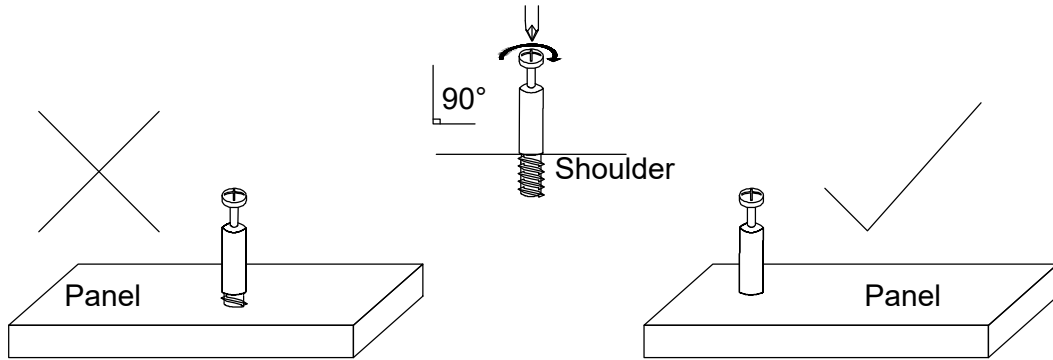


Hardware :

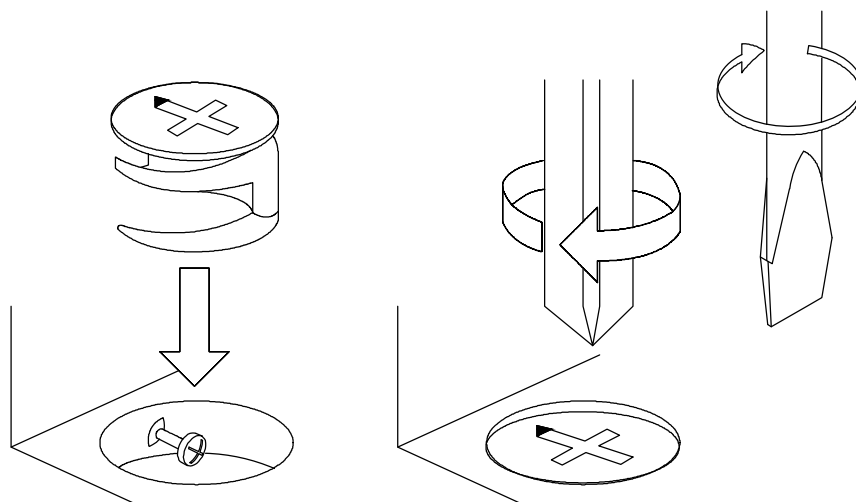
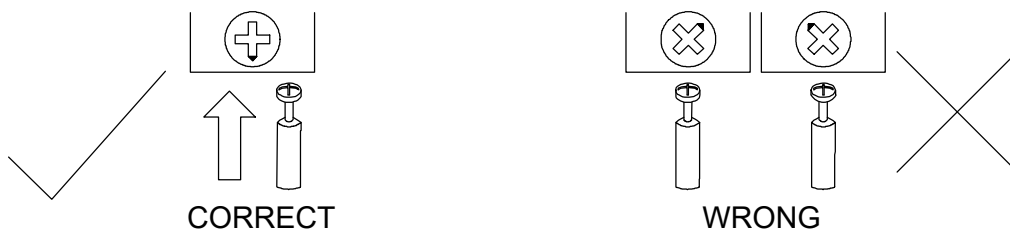
A	 8x30mm	18pcs	B	 6x35mm	20pcs
C	 15x12mm	12pcs	D	 4x35mm	16pcs
E	 3x12mm	12pcs	F	 6x30mm	8pcs
G	 6x12mm	4pcs	H	 278mm	4pcs
I	 4x12mm	2sets	J	 4x10mm	4pcs
K	 1pc		L	 15x9.5mm	8pcs
M	 6x40mm	4pcs			

Using Cam Lock and Quickfit

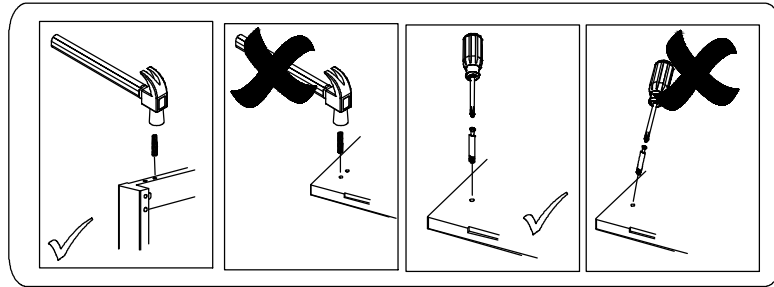
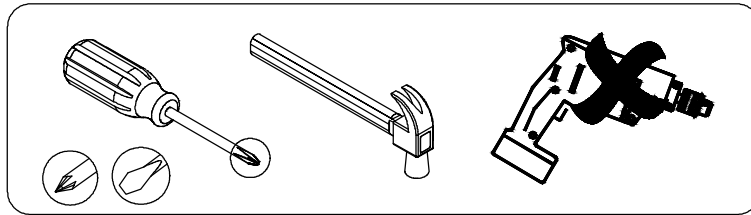
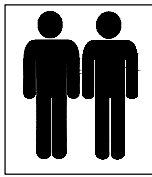
QUICKFIT



CAM LOCK



Tools Required



CAUTION: Do not use tools other than those required, as this can damage your new item.

NOTE

- Please check you have all hardware before assembling.
- If you are missing any hardware, please contact the store of purchase.
- Please ensure you have the name of the item, required hardware part and quantity.
- Please retain your receipt as proof of purchase to validate your warranty.

CAUTION

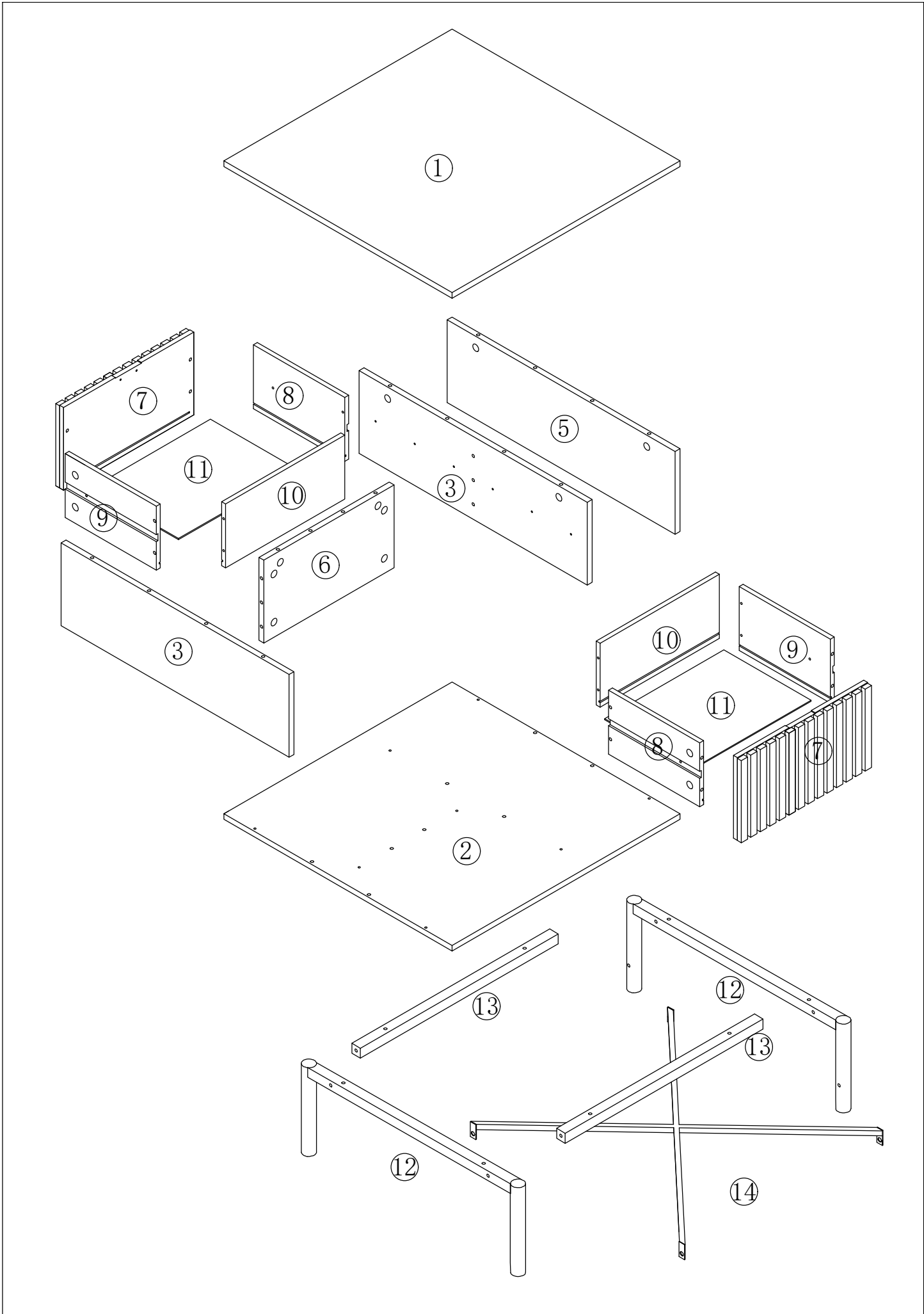
- Do not tighten screws before all screws are in the right place.
- Do not use this product unless all bolts, screws and knobs are firmly secured.
- Check that all bolts, screws and knobs are securely tightened at least every 4 months.

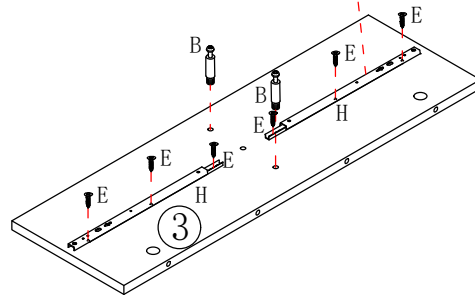
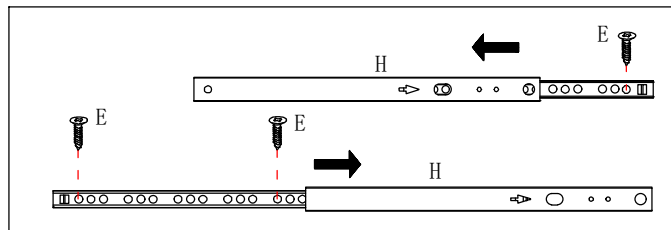
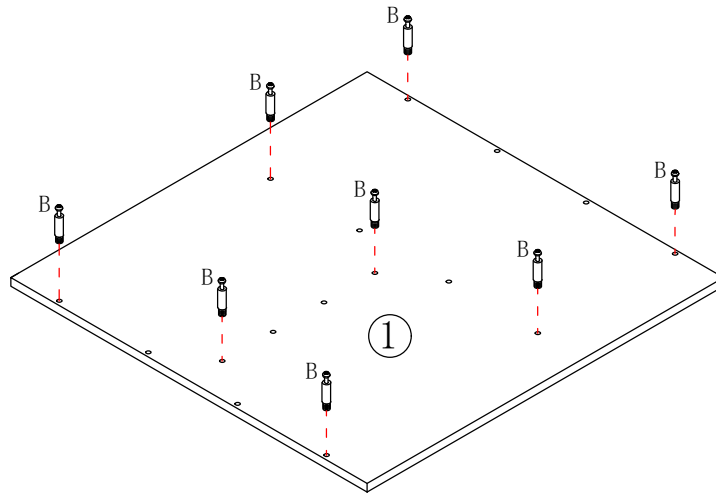
WARNING

- If parts are missing, broken, damaged or worn stop using the product until all repairs are made using manufacturer authorised parts.
- Failure to follow these warnings could result in serious injury.

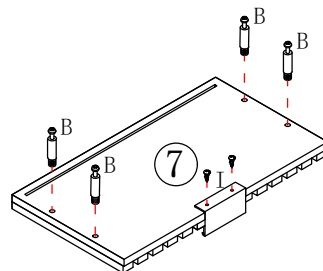
DANGER

- CHILDREN MUST BE SUPERVISED.

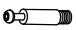







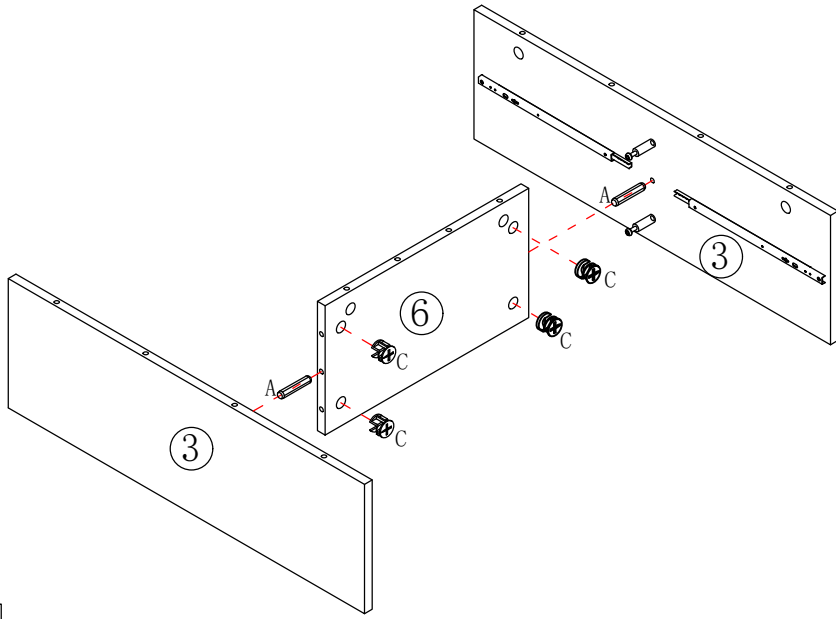
x2





x2

-  (B) x20pcs
-  (E) x12pcs
-  (H) x4pcs
-  (I) x2sets

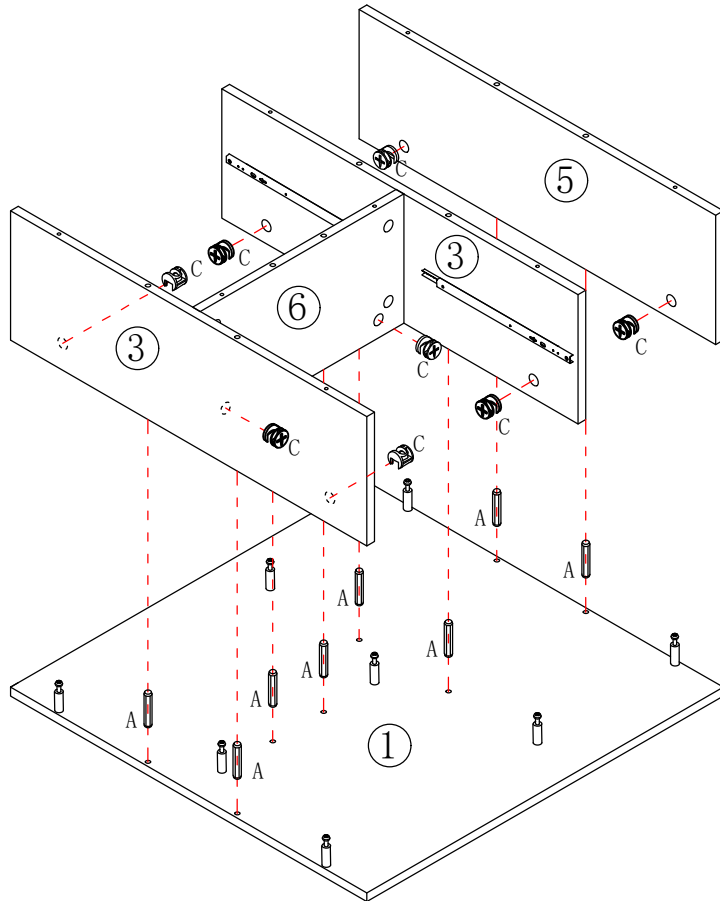
2





 (A) x2pcs

 (C) x4pcs

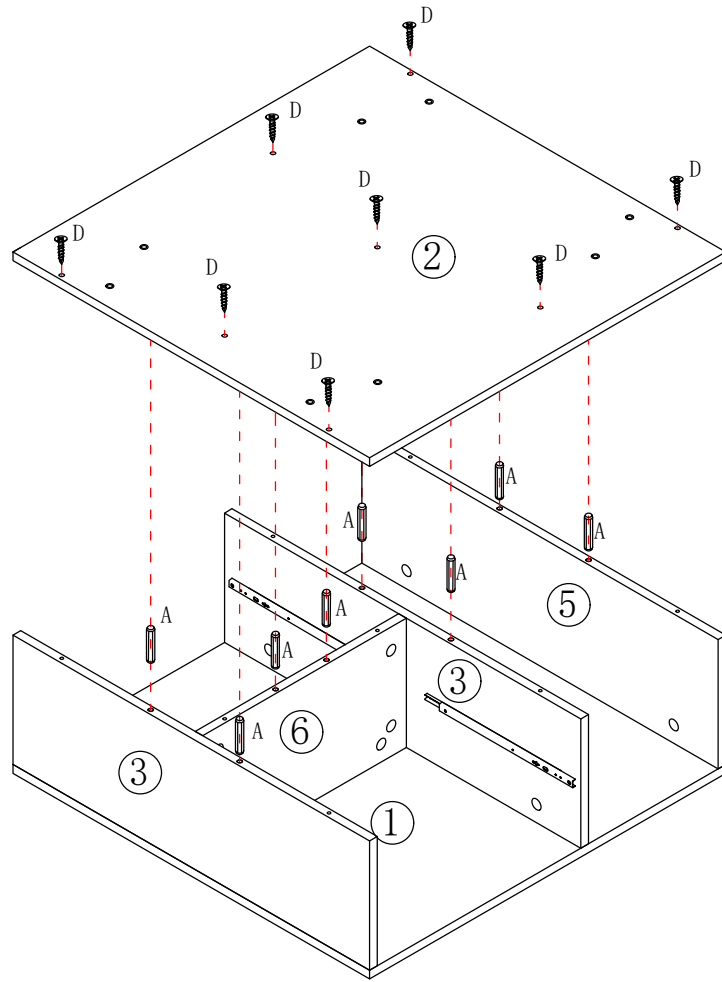
3

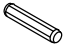



 (A) x8pcs

 (C) x8pcs

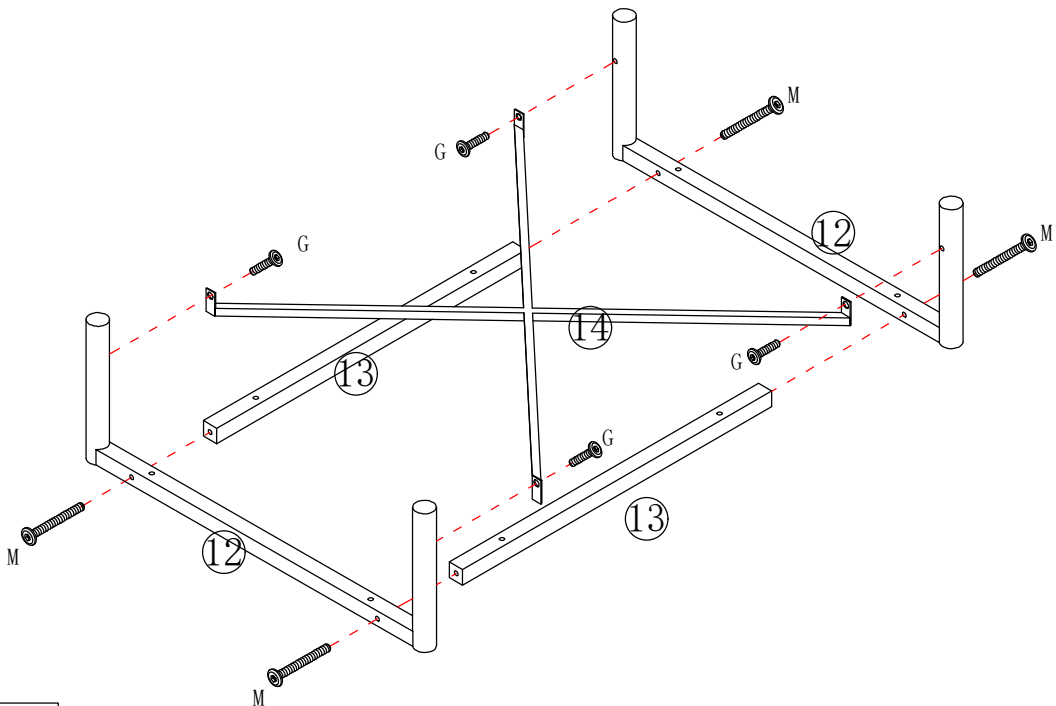
4





 (A) x8pcs

 (D) x8pcs

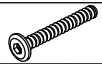
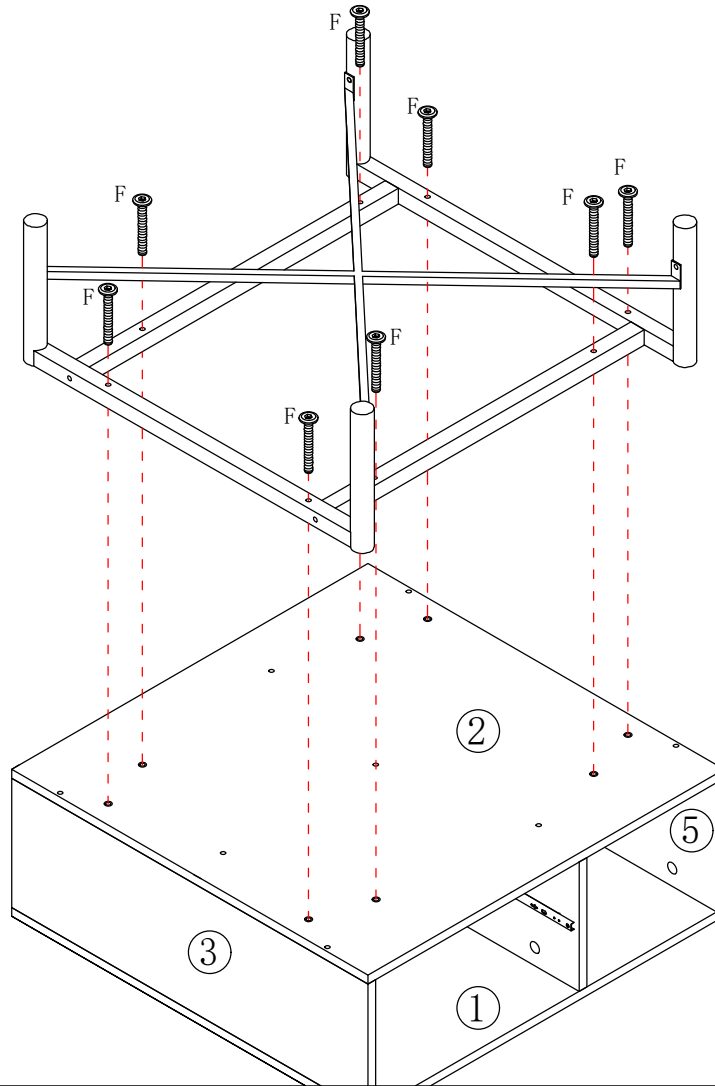
5



 (G) x4pcs

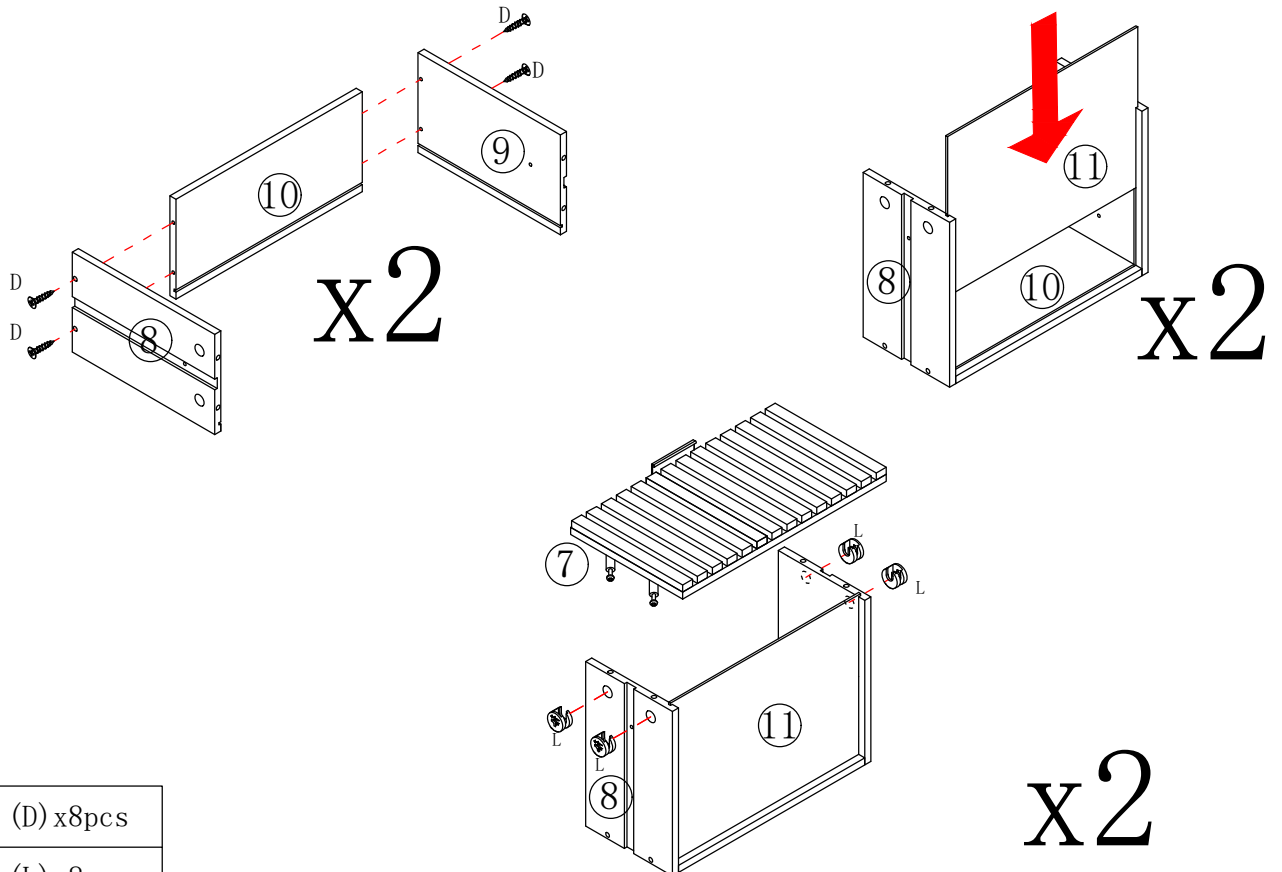
 (M) x4pcs

6



(F) x8pcs

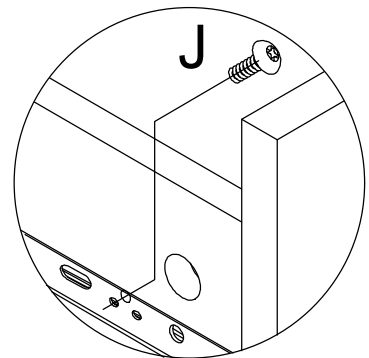
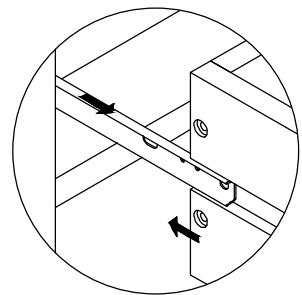
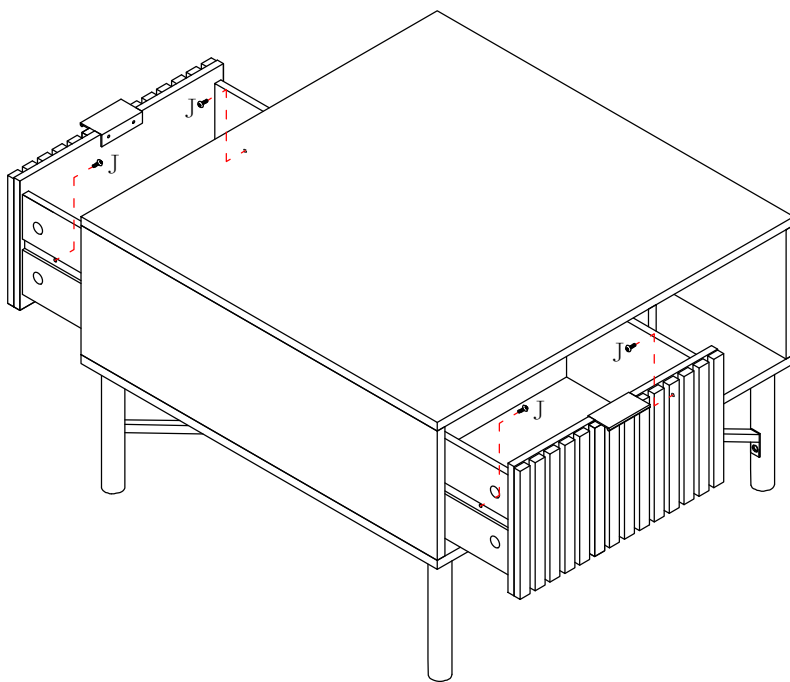
7



(D) x8pcs



(L) x8pcs



(J) x4pcs