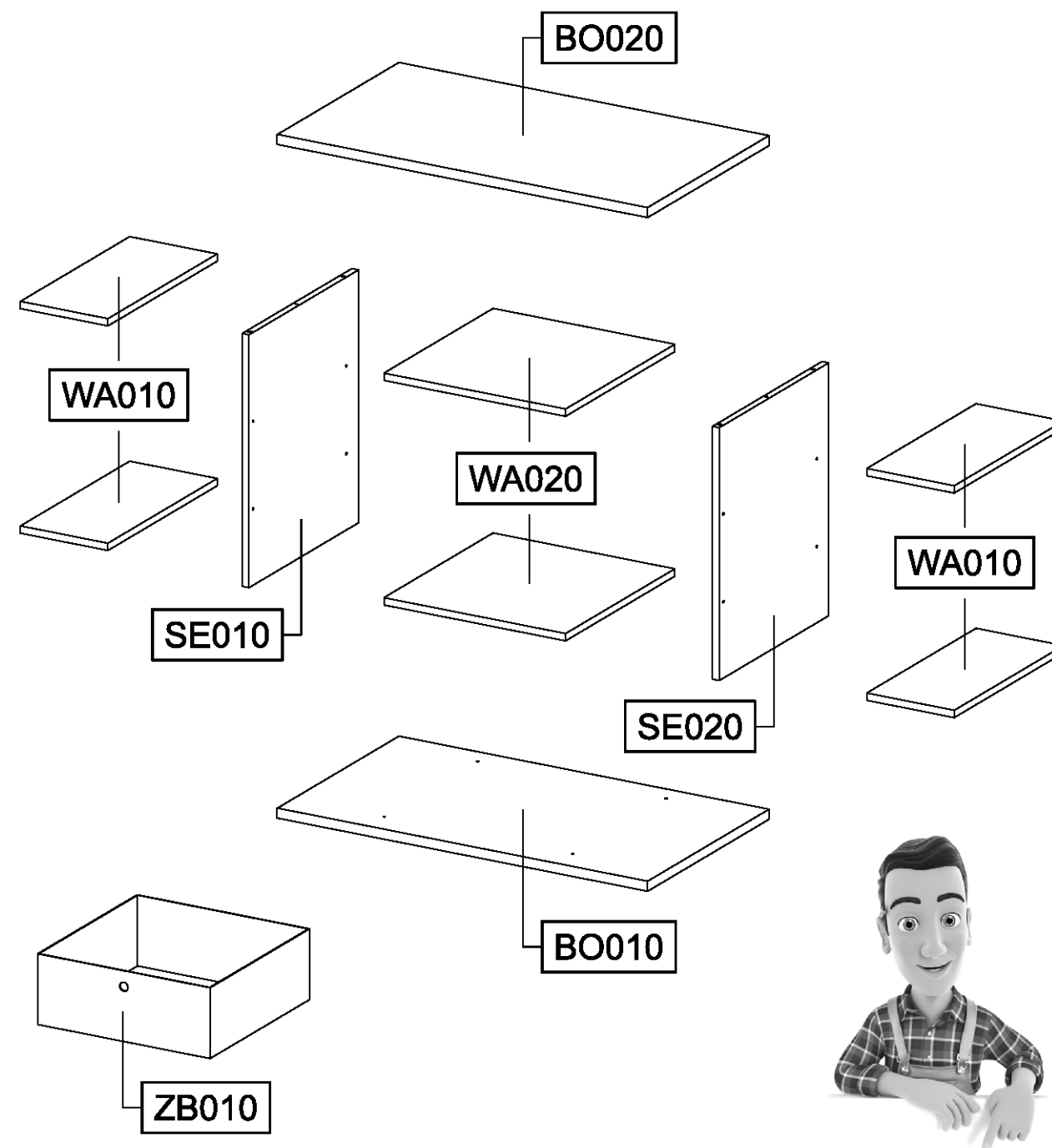
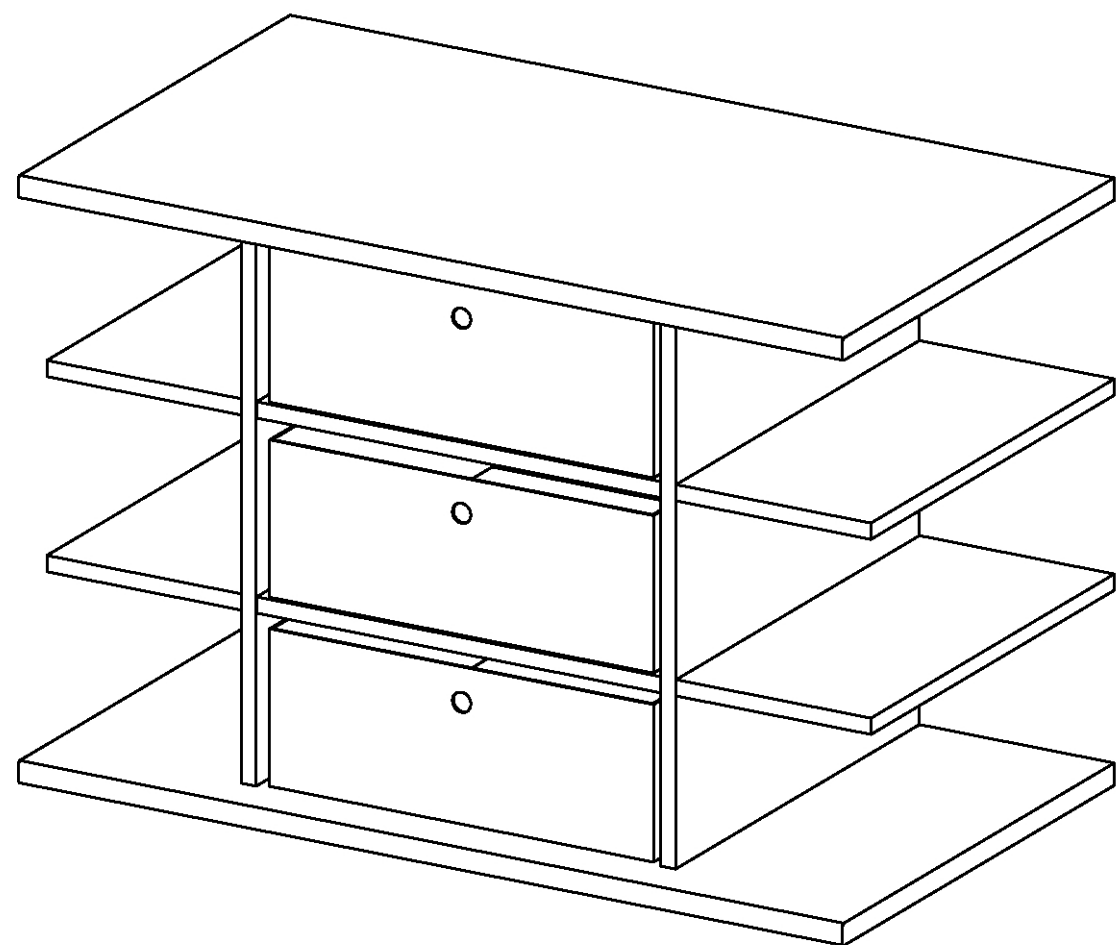
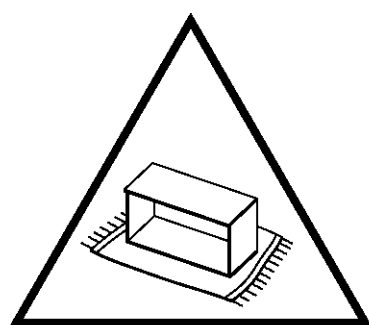
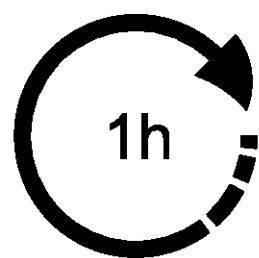
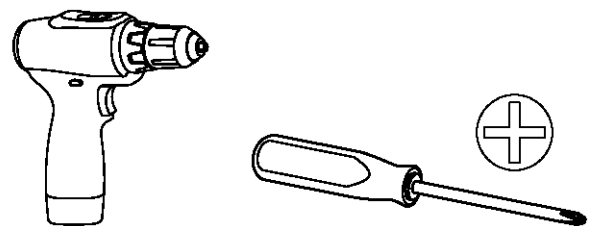


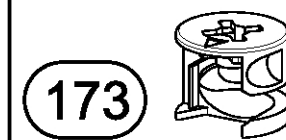
M2554_01

rauch



SE010 = SE020

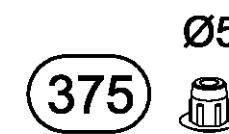
8x



8x



4x



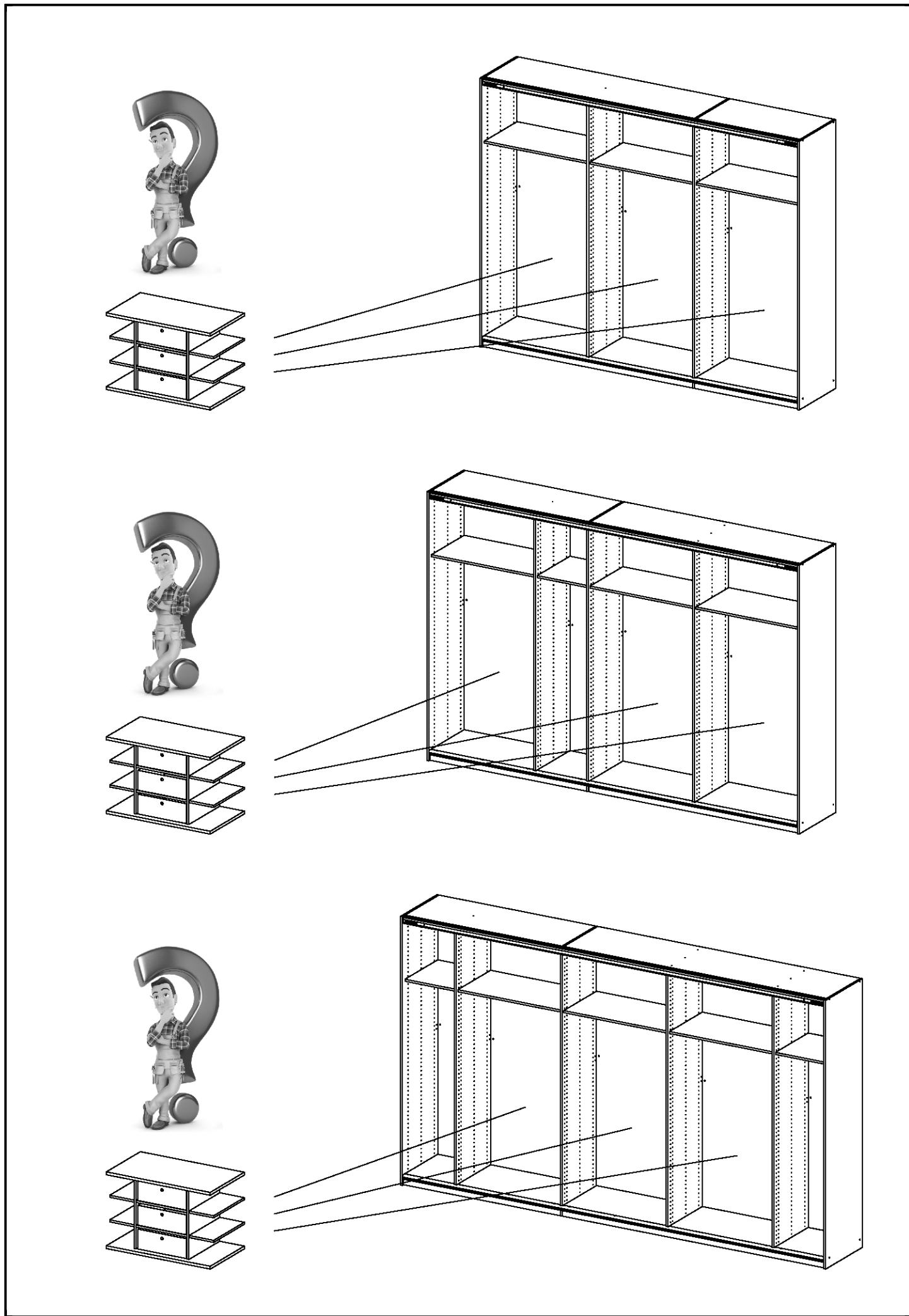
1x



32x

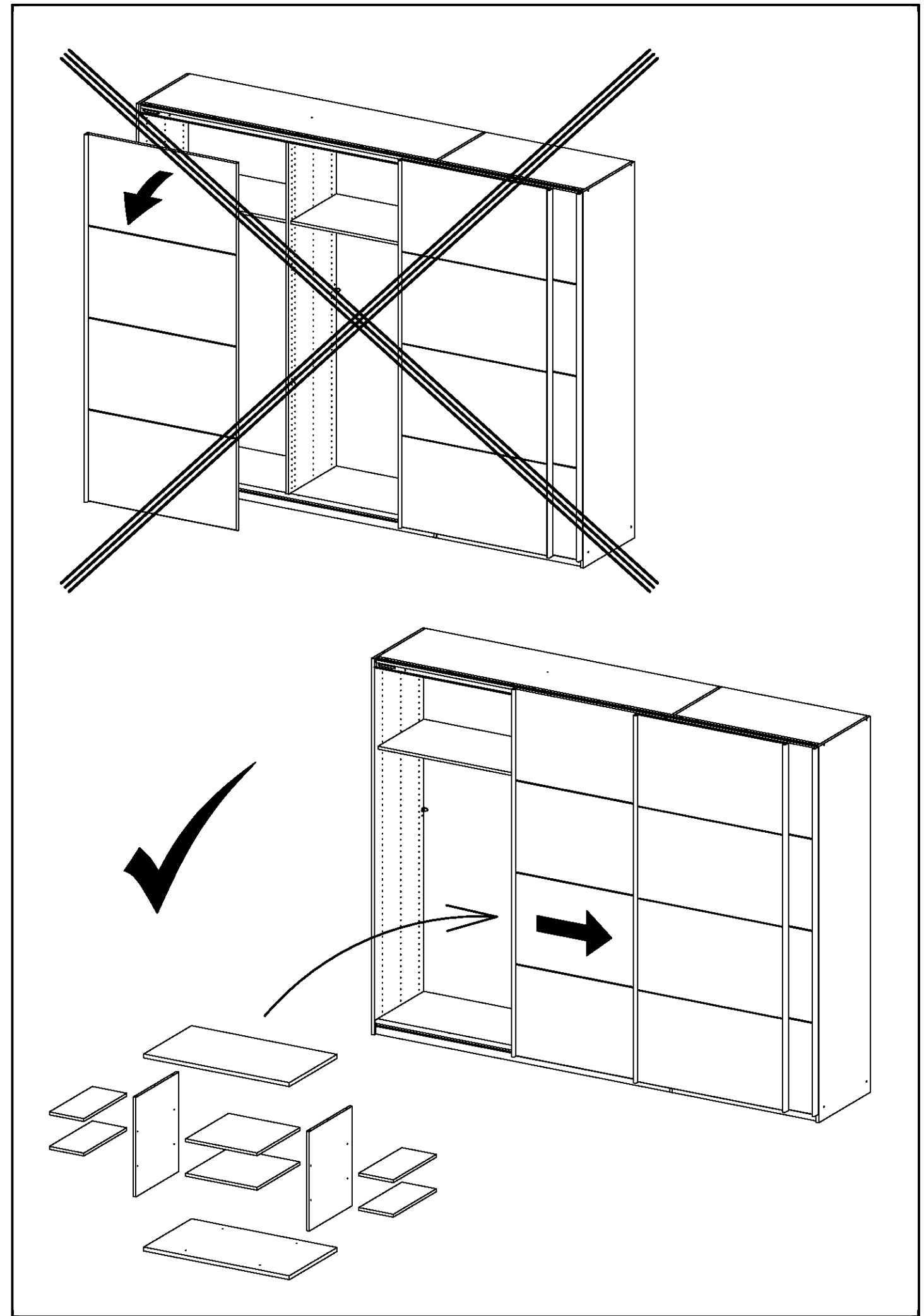


3.



M2554

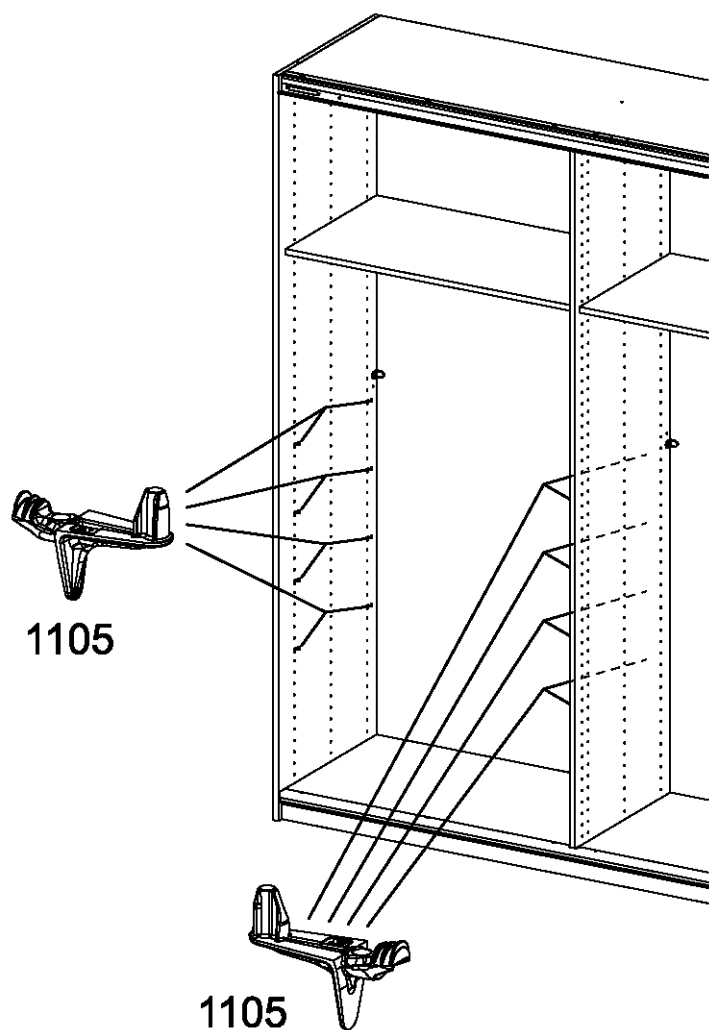
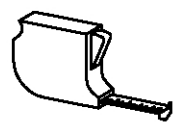
4.



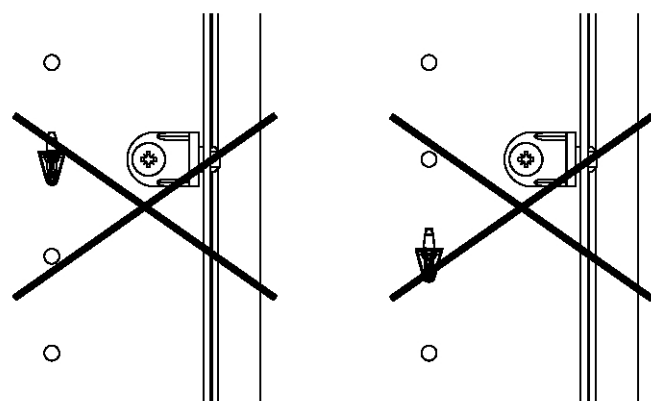
M2554

1

16x 1105



Xmm
192
192
192
192
192



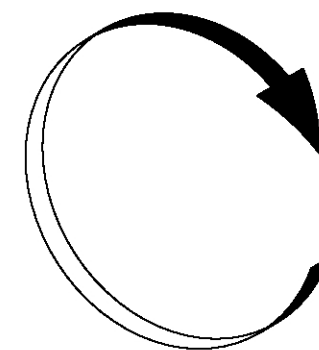
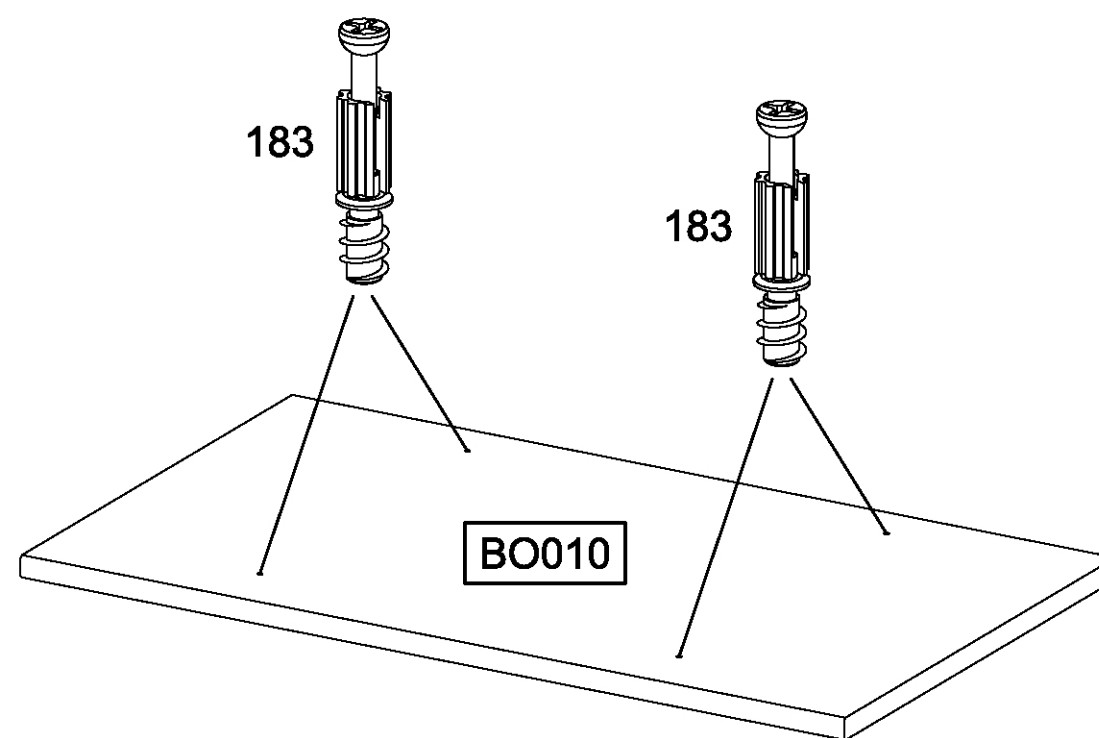
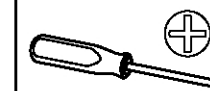
2

4x 183



4x 375

Ø5



375



375

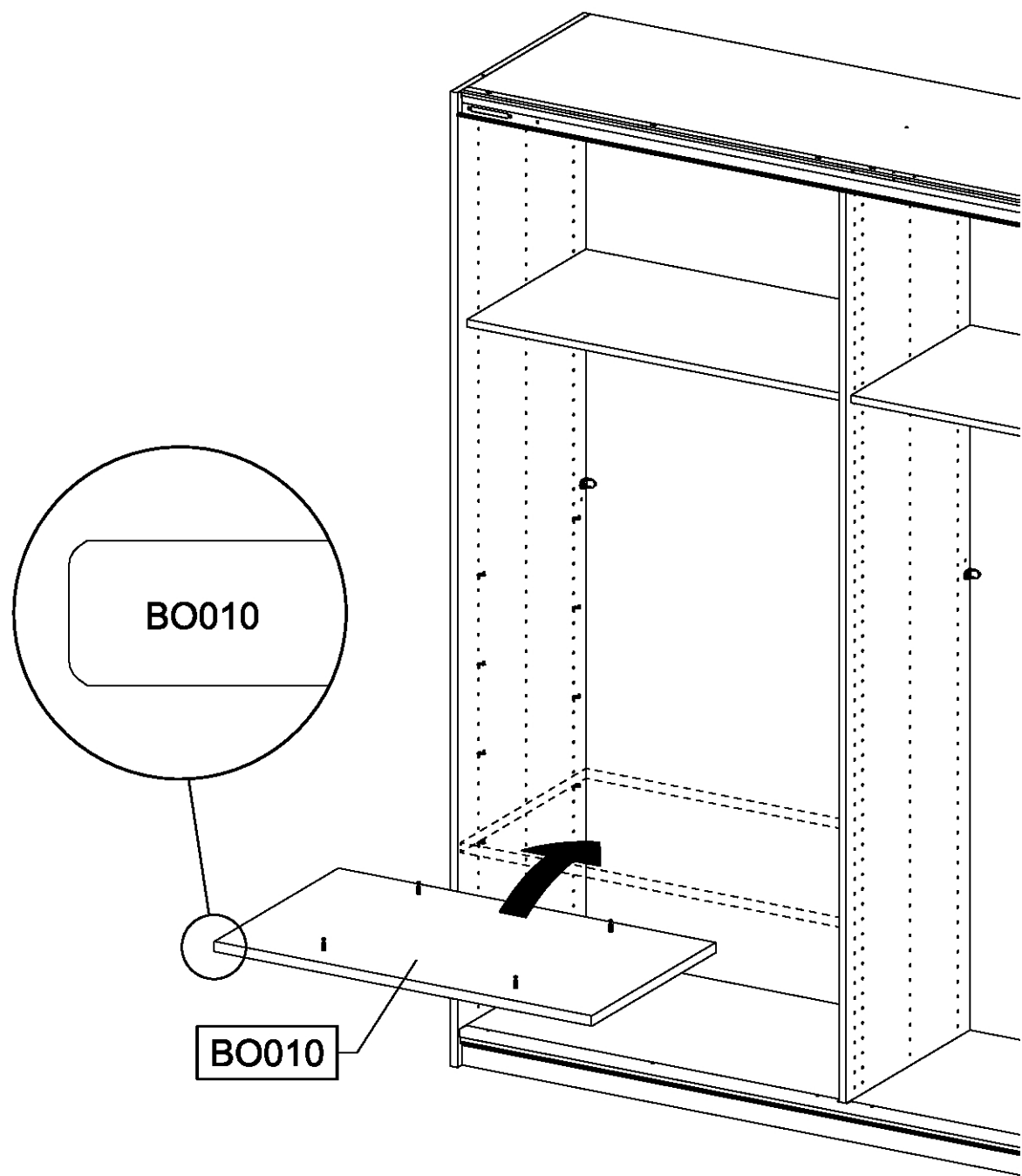


BO010

2.

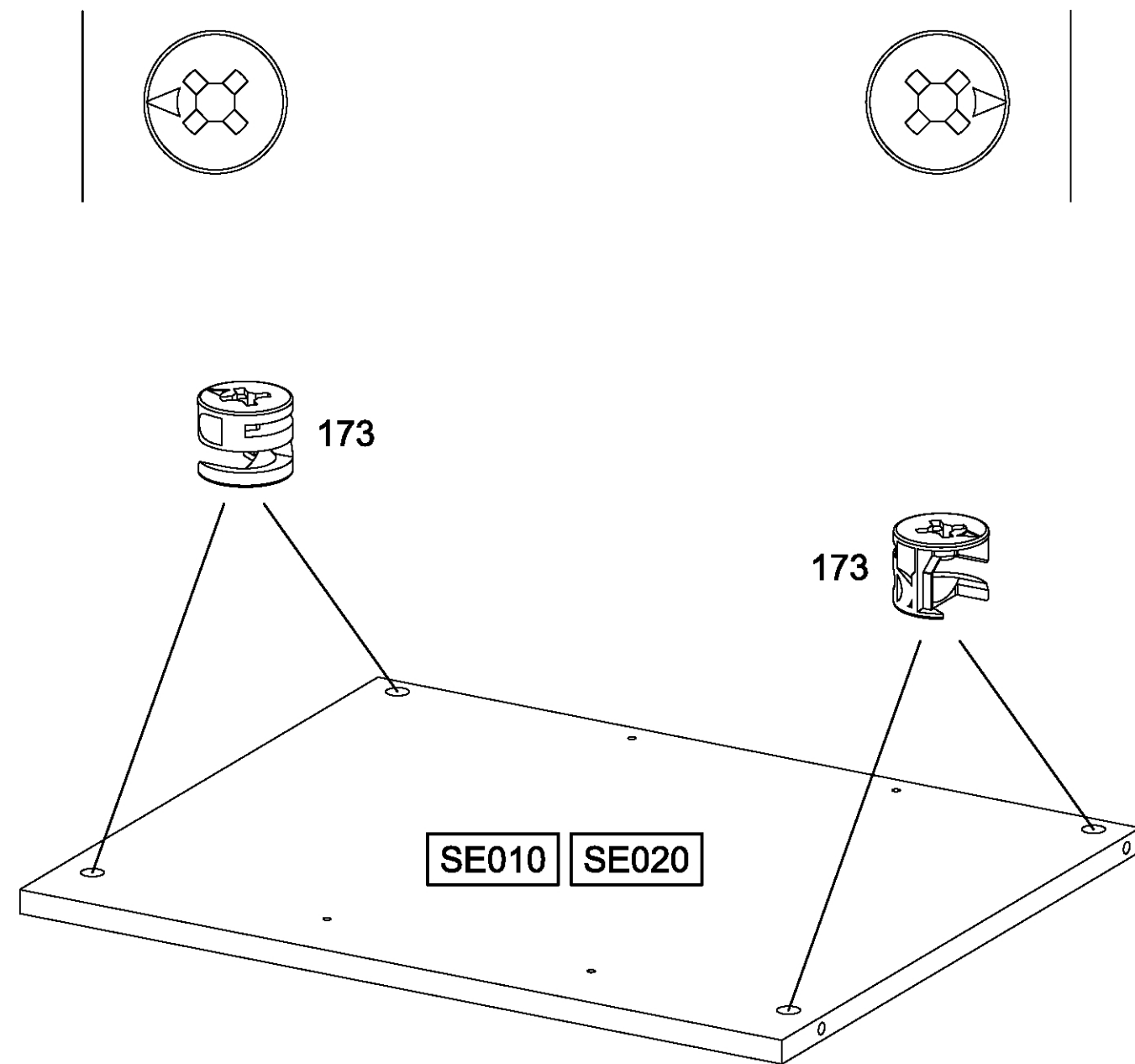
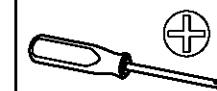


3



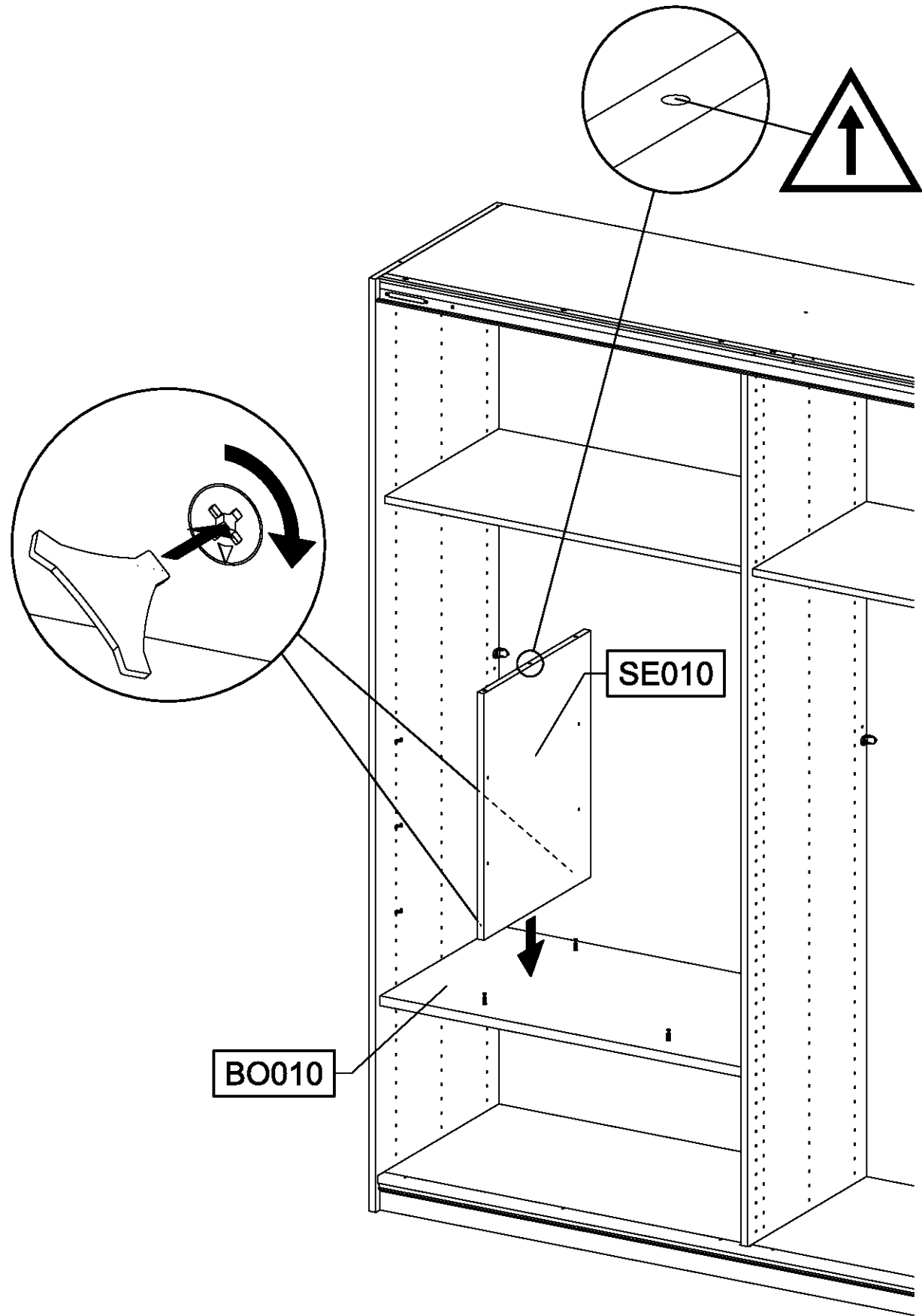
4

8x 173

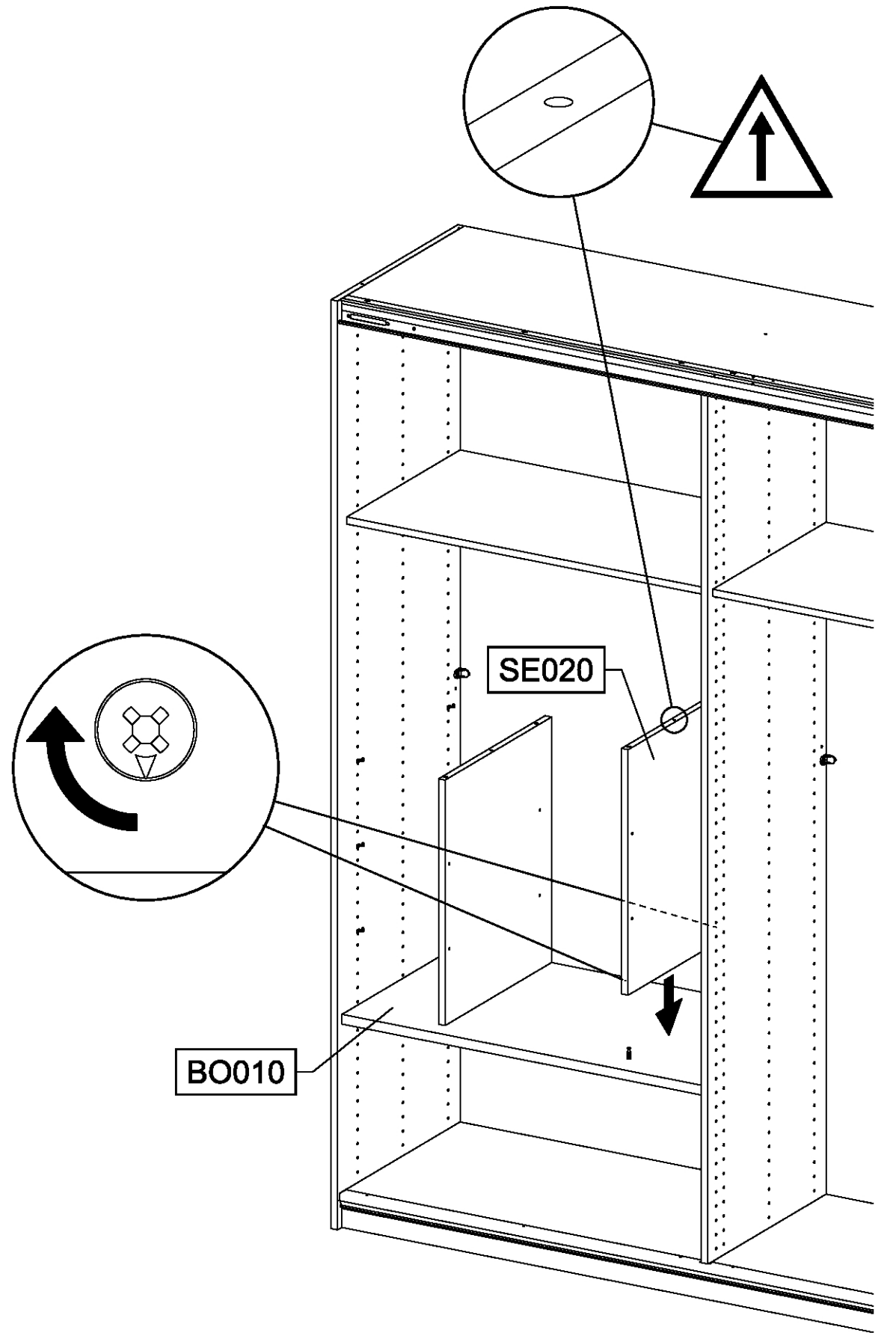
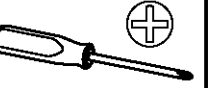


5

996

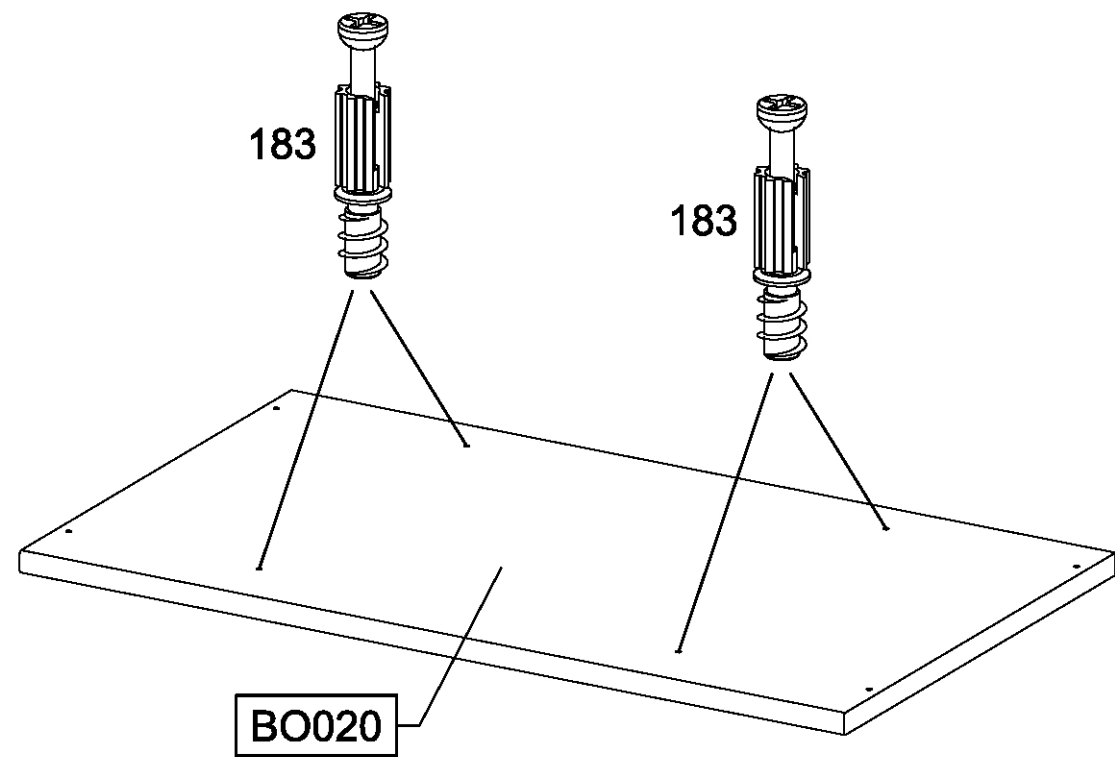


6

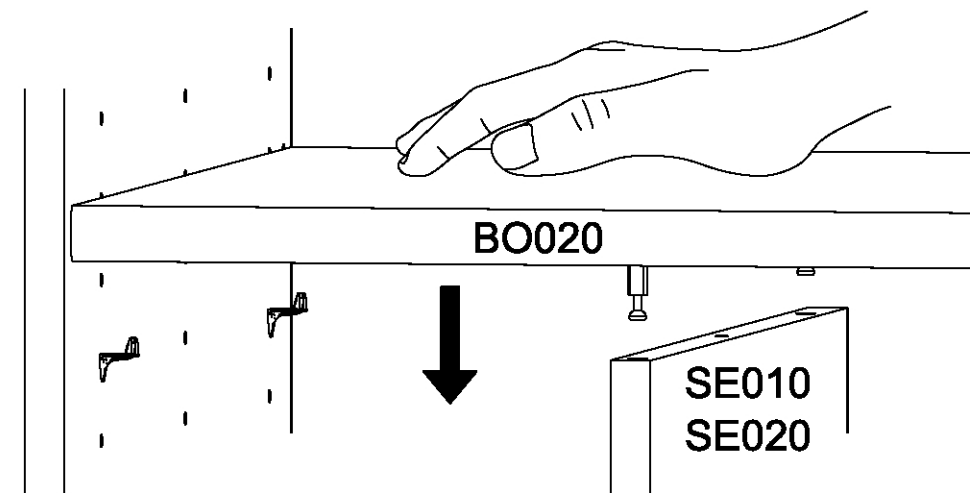
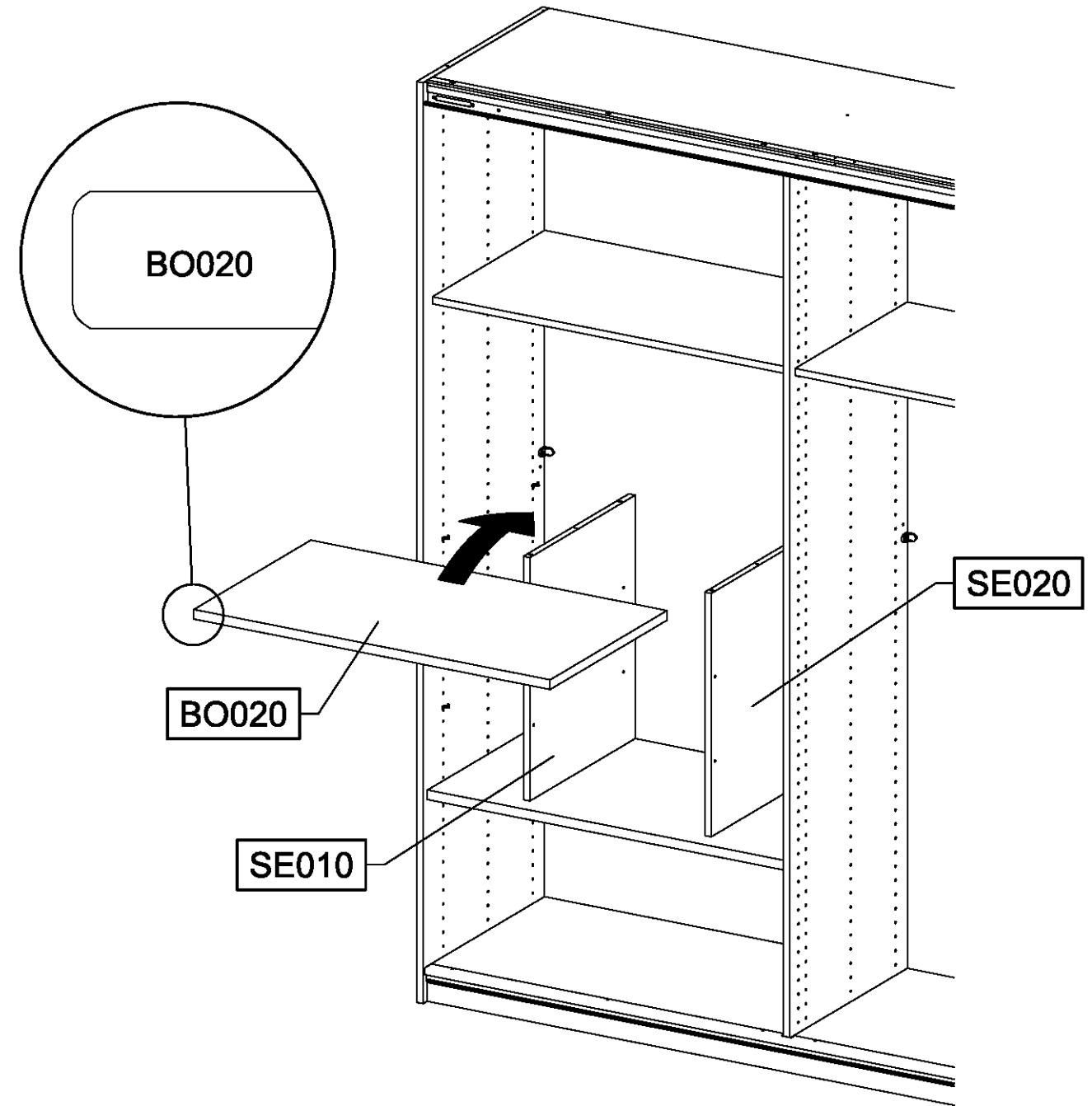


7

4x 183

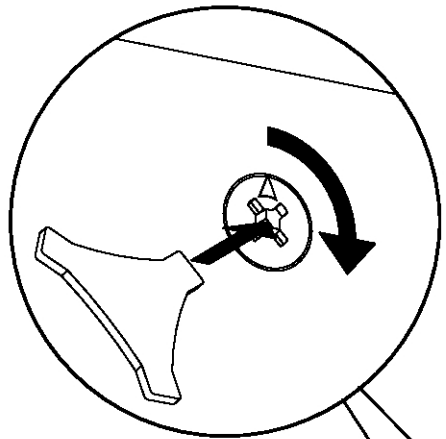
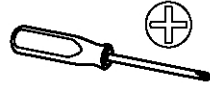


8



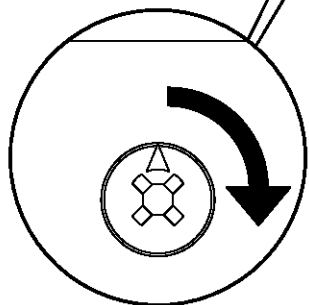
9

996



SE010

SE020



10

16x

1105

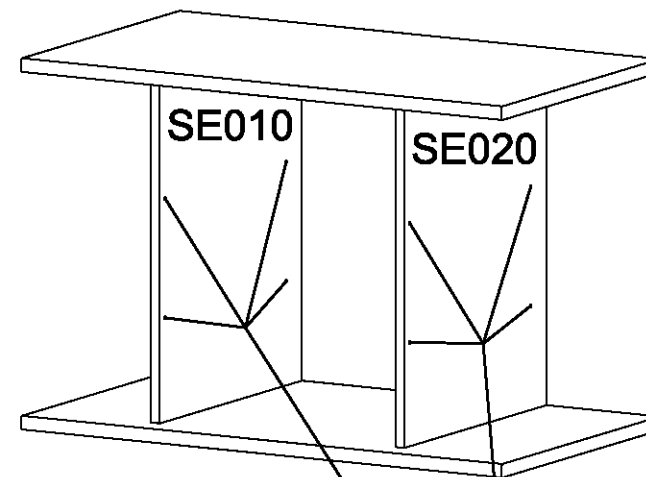


SE010

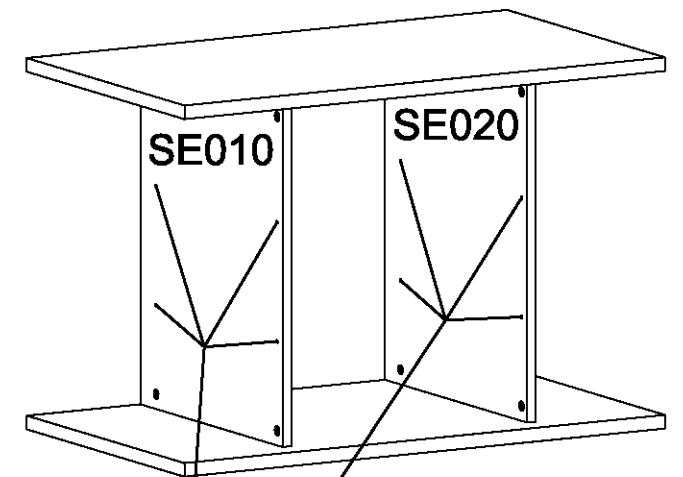
BO010

BO020

SE020

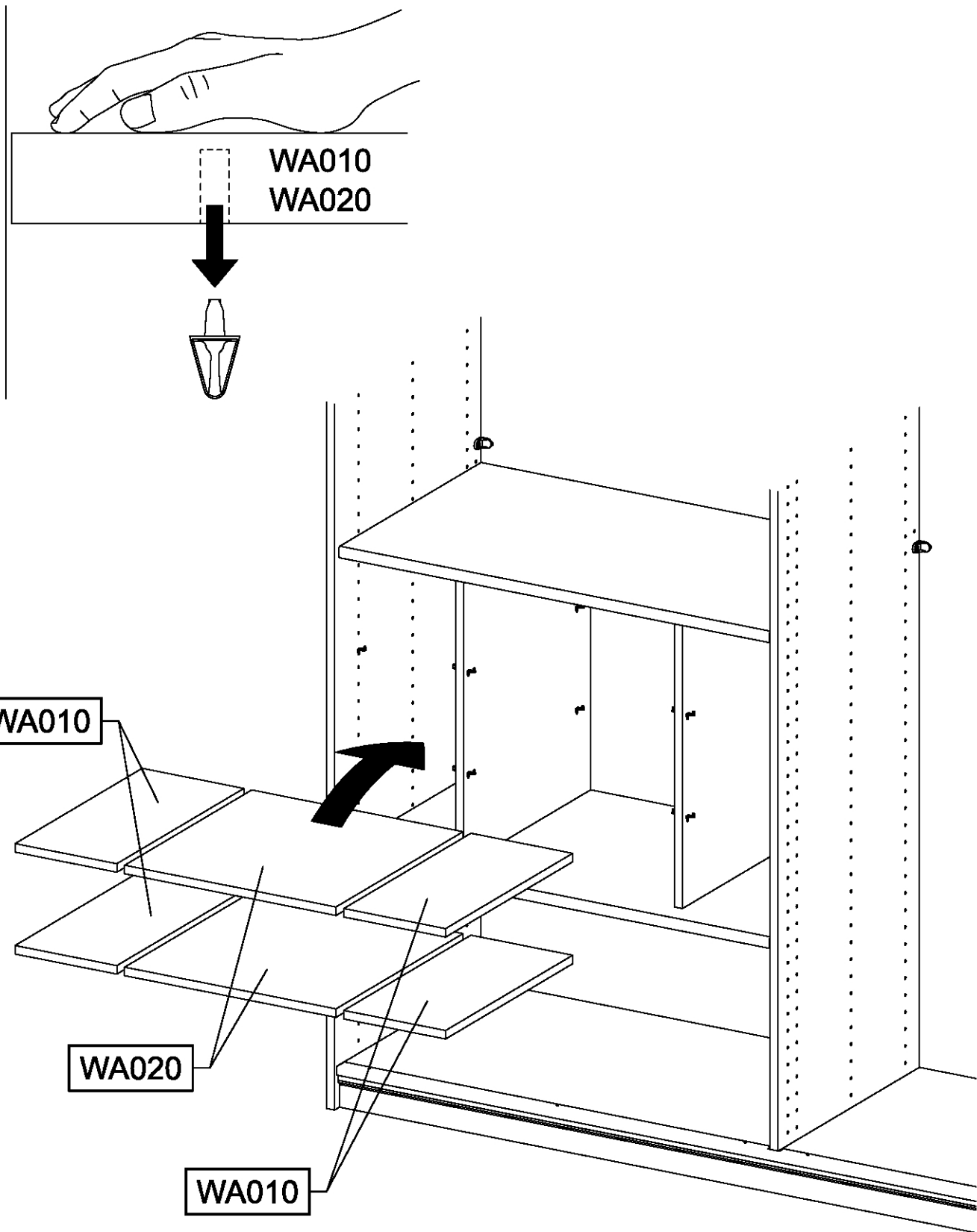


1105



1105

11



12

