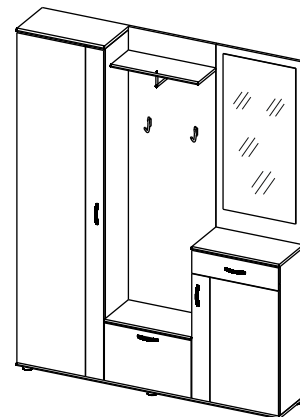
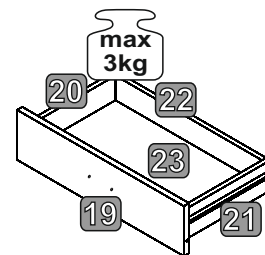
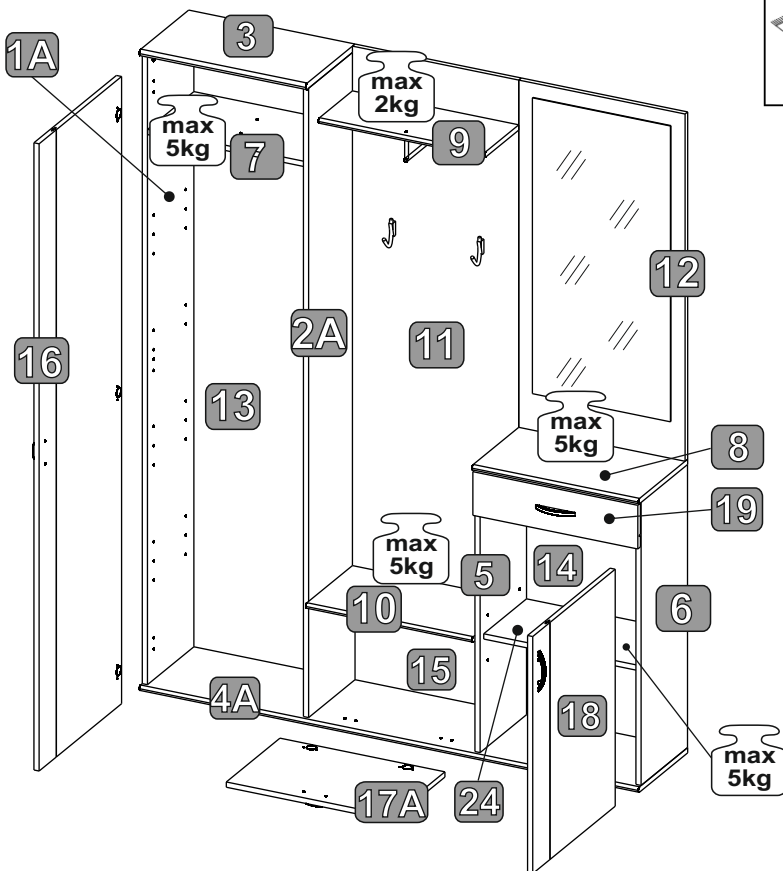
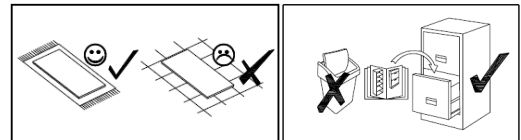
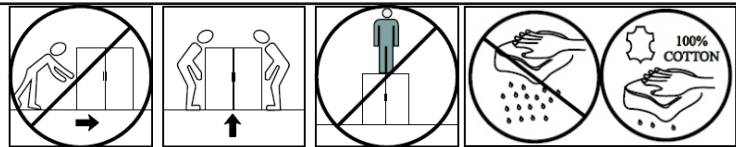
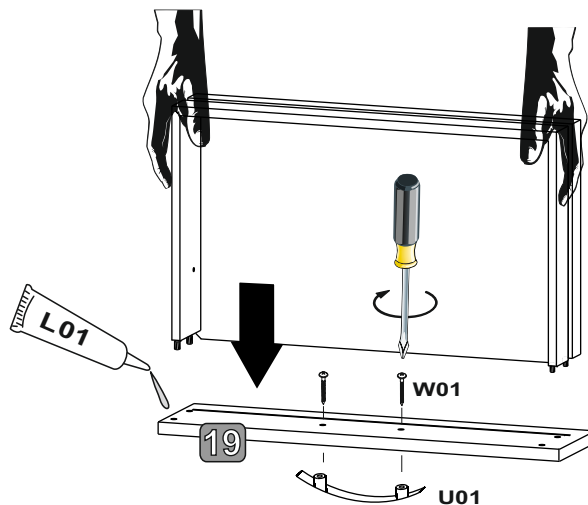
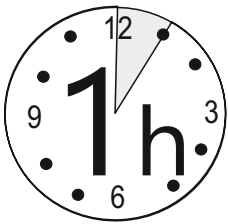
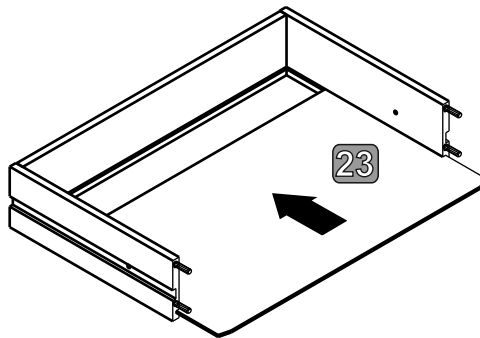
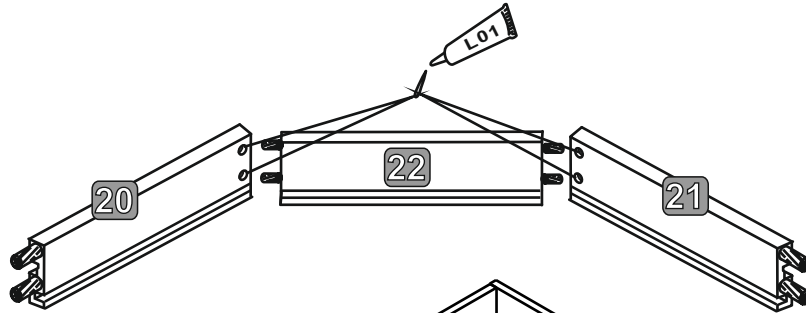
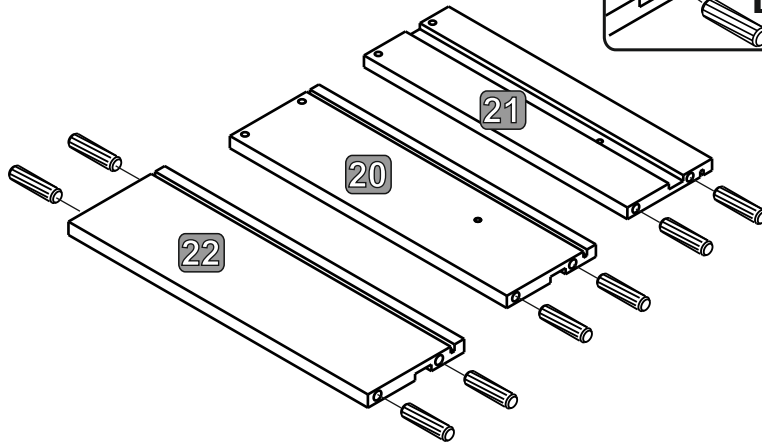
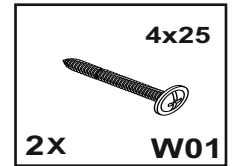
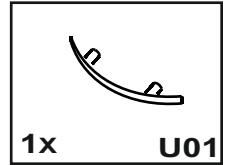
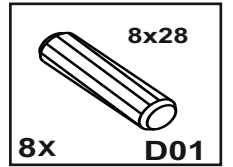
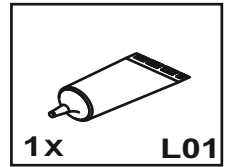
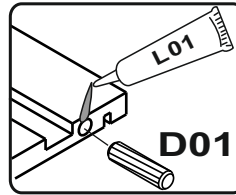
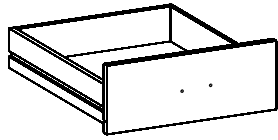


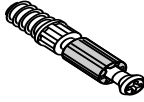

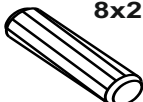
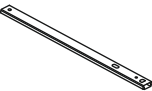

12x T01	12x T02	40x D01	4x25 16x W01	1x L01	6,3x8 4x W07	6x S02	1x E02
2x H01	1x H02	1x H03	2x P03	5x Z01	2x Z03	50x G01	1x M01
4x U01	4x10 2x X02	7x Z04	3x W08	1x K01	7x50 17x W04	4x E01	6x W05
3,5x15 26x W03							

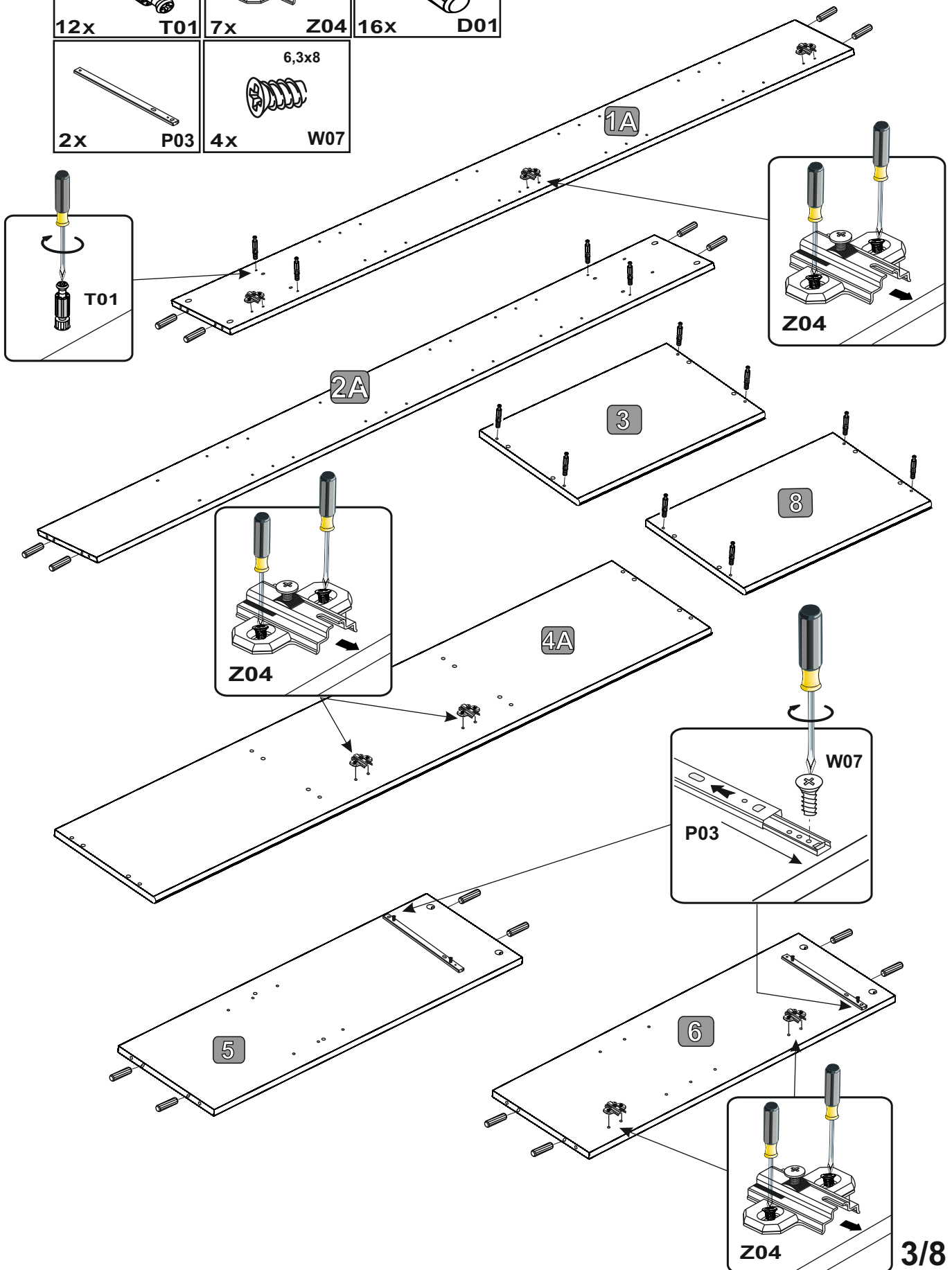


1

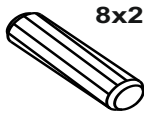
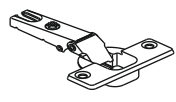
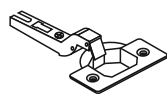
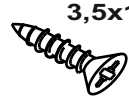




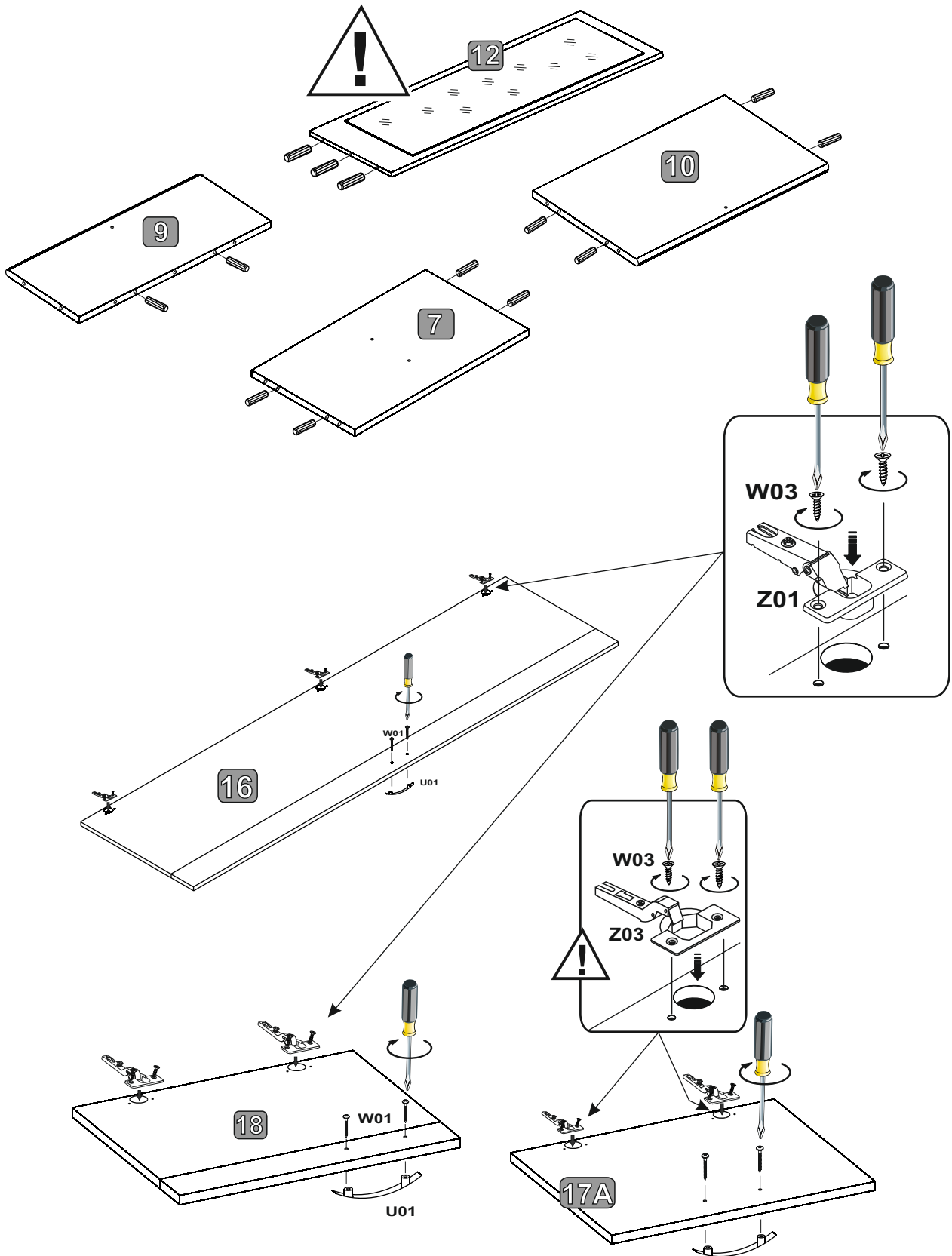
2

 12x T01	 7x Z04	 8x28 16x D01
 2x P03	 6,3x8 4x W07	

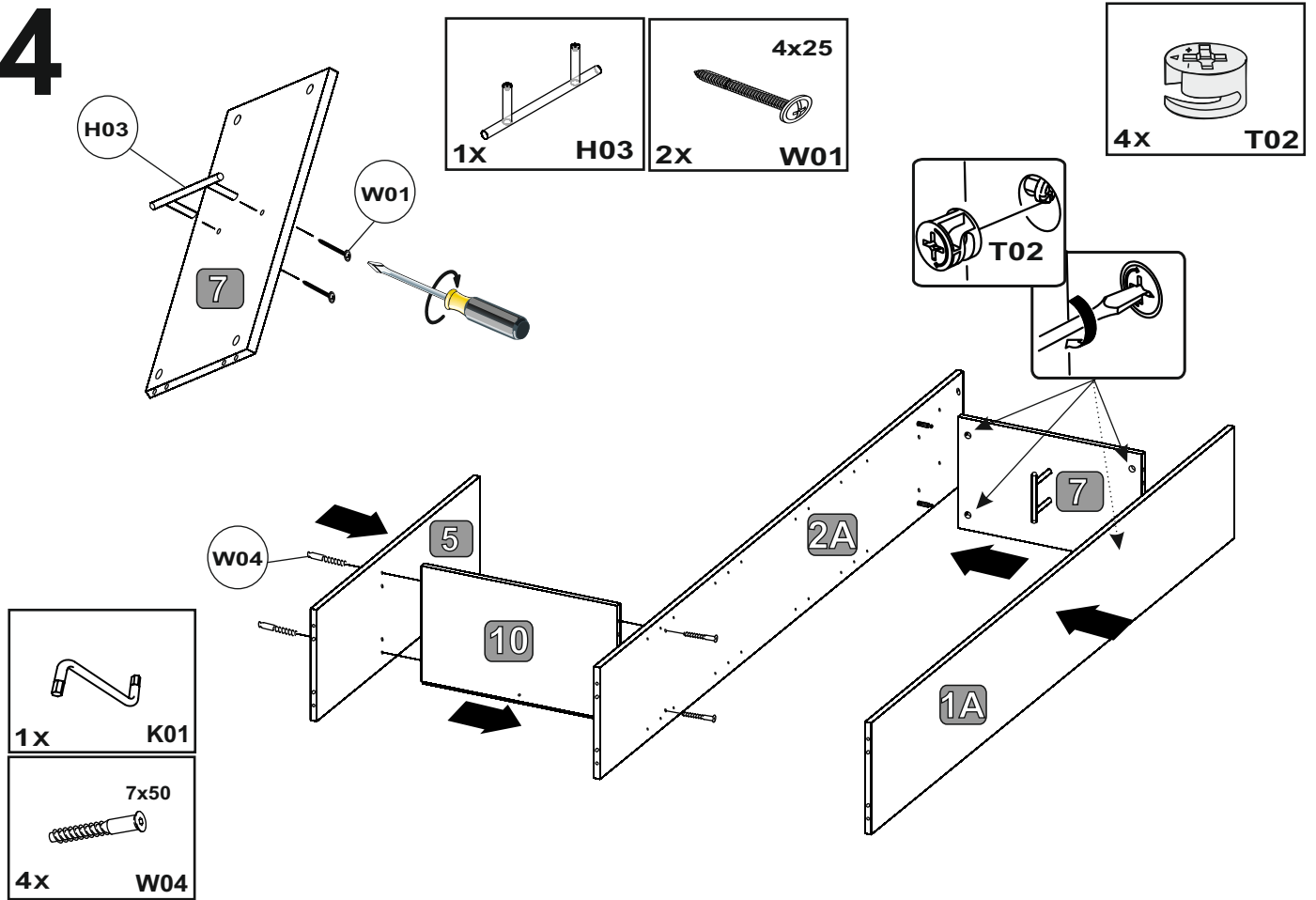


3

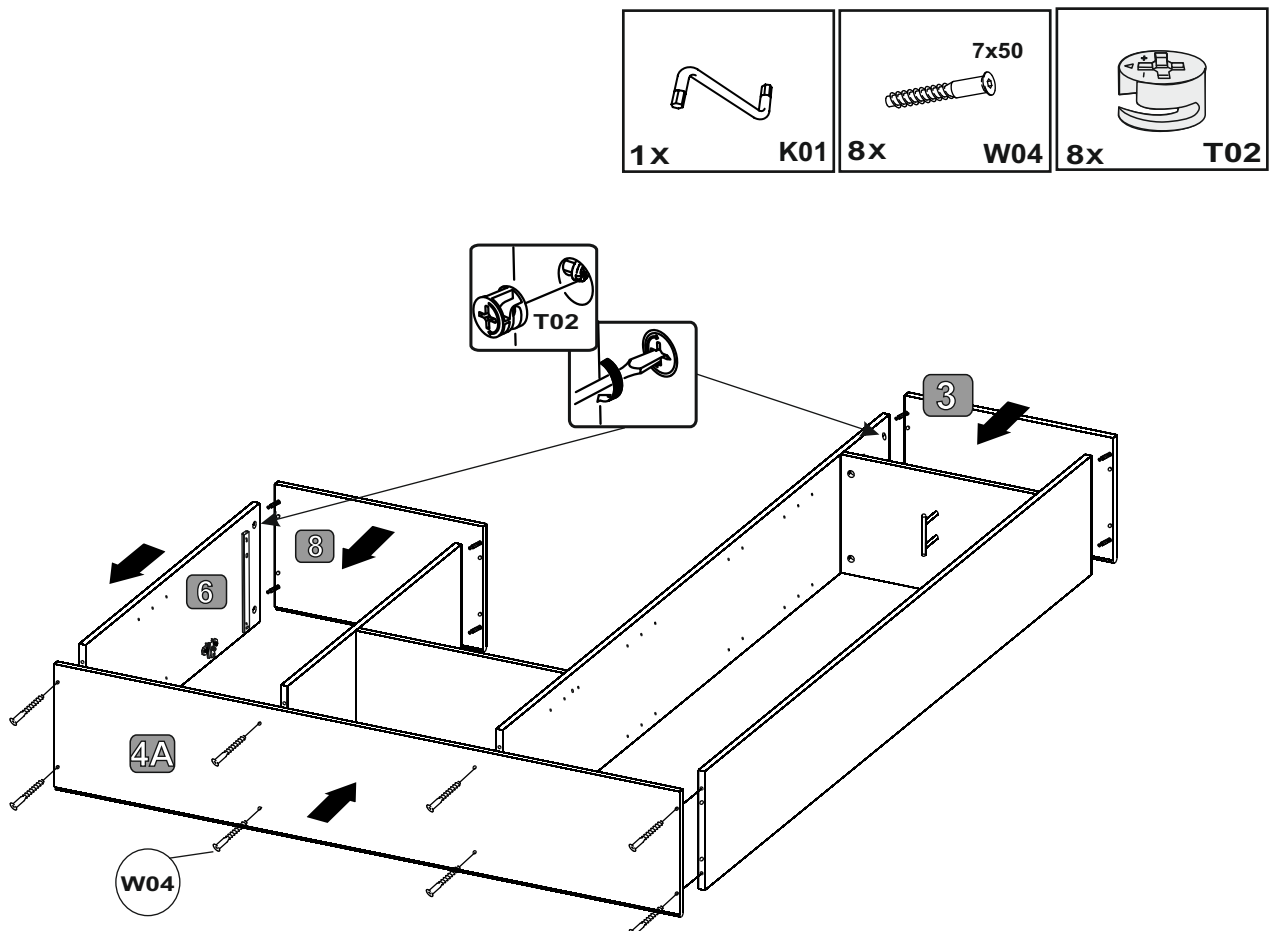
 8x28 13x D01	 5x Z01	 2x Z03	 3,5x15 14x W03	 3x U01	 4x25 6x W01
--	---	---	---	---	---



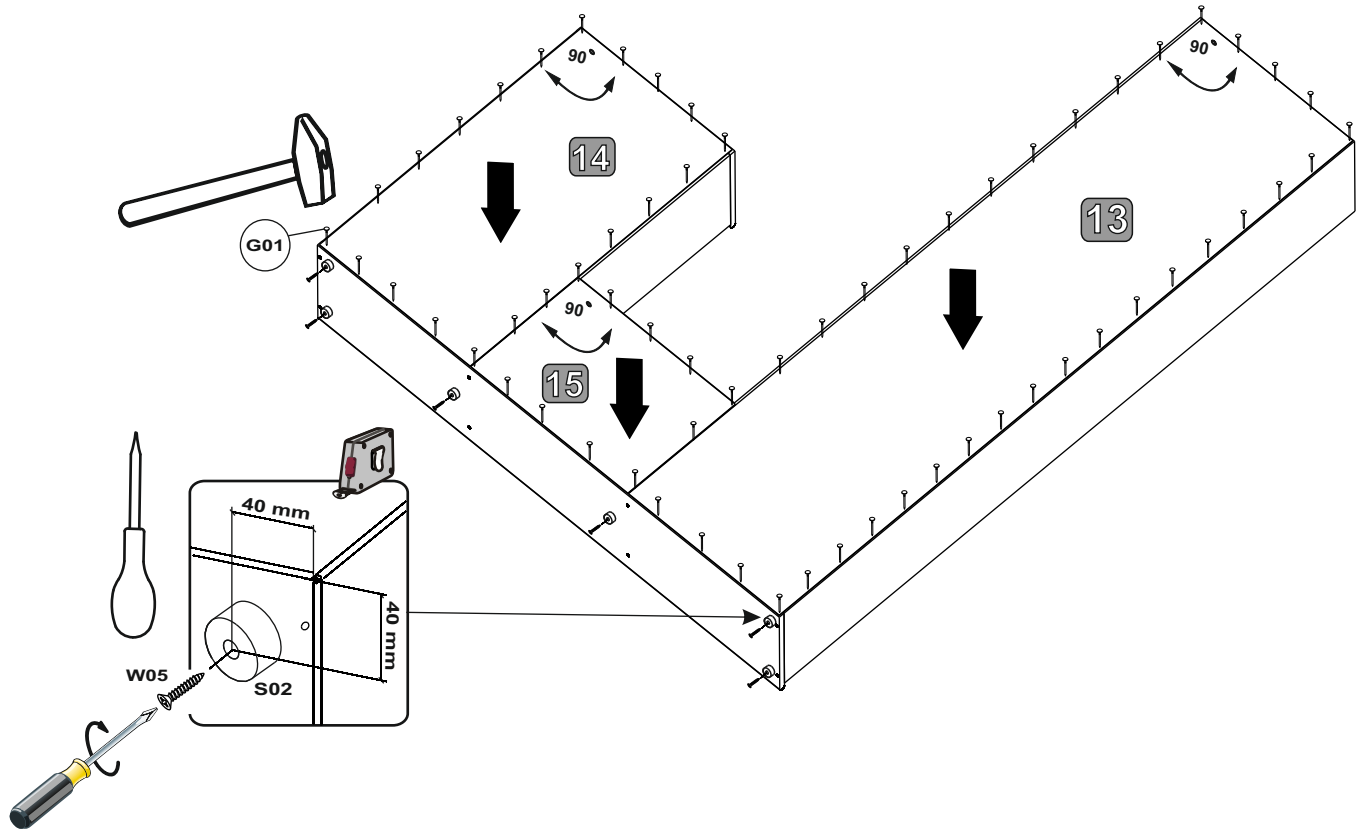
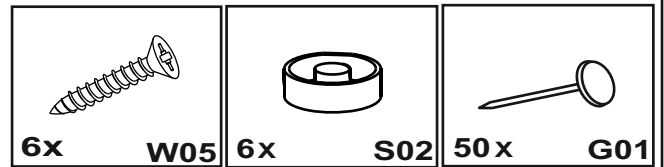
4



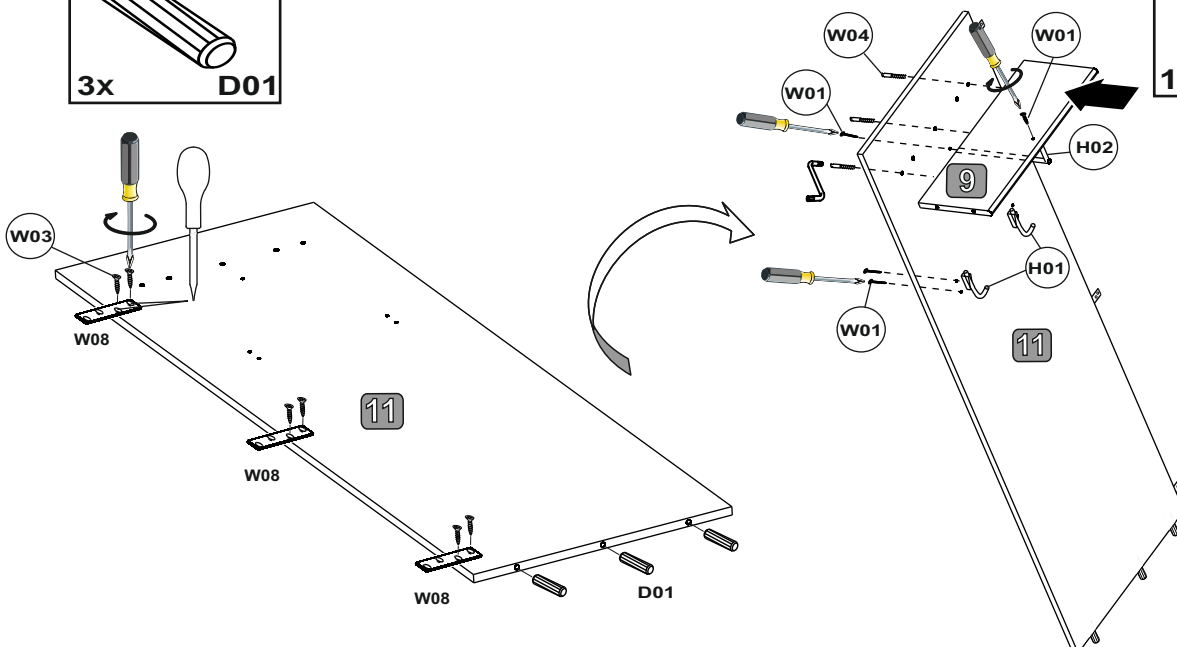
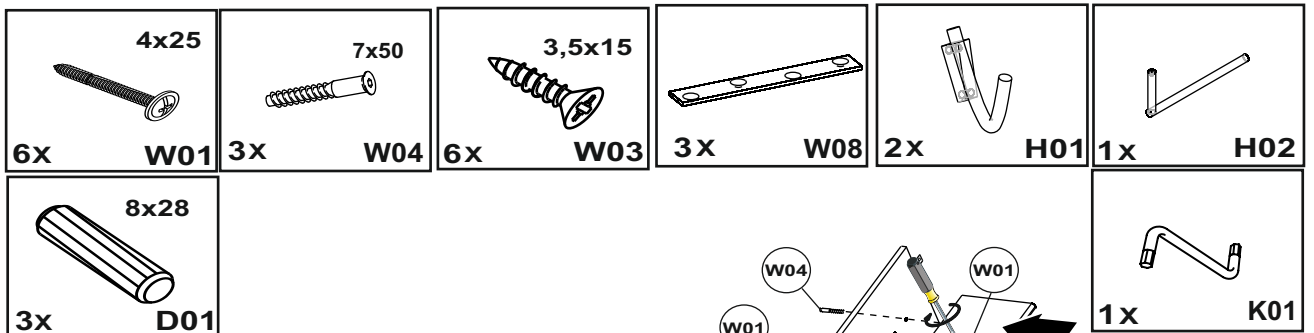
5



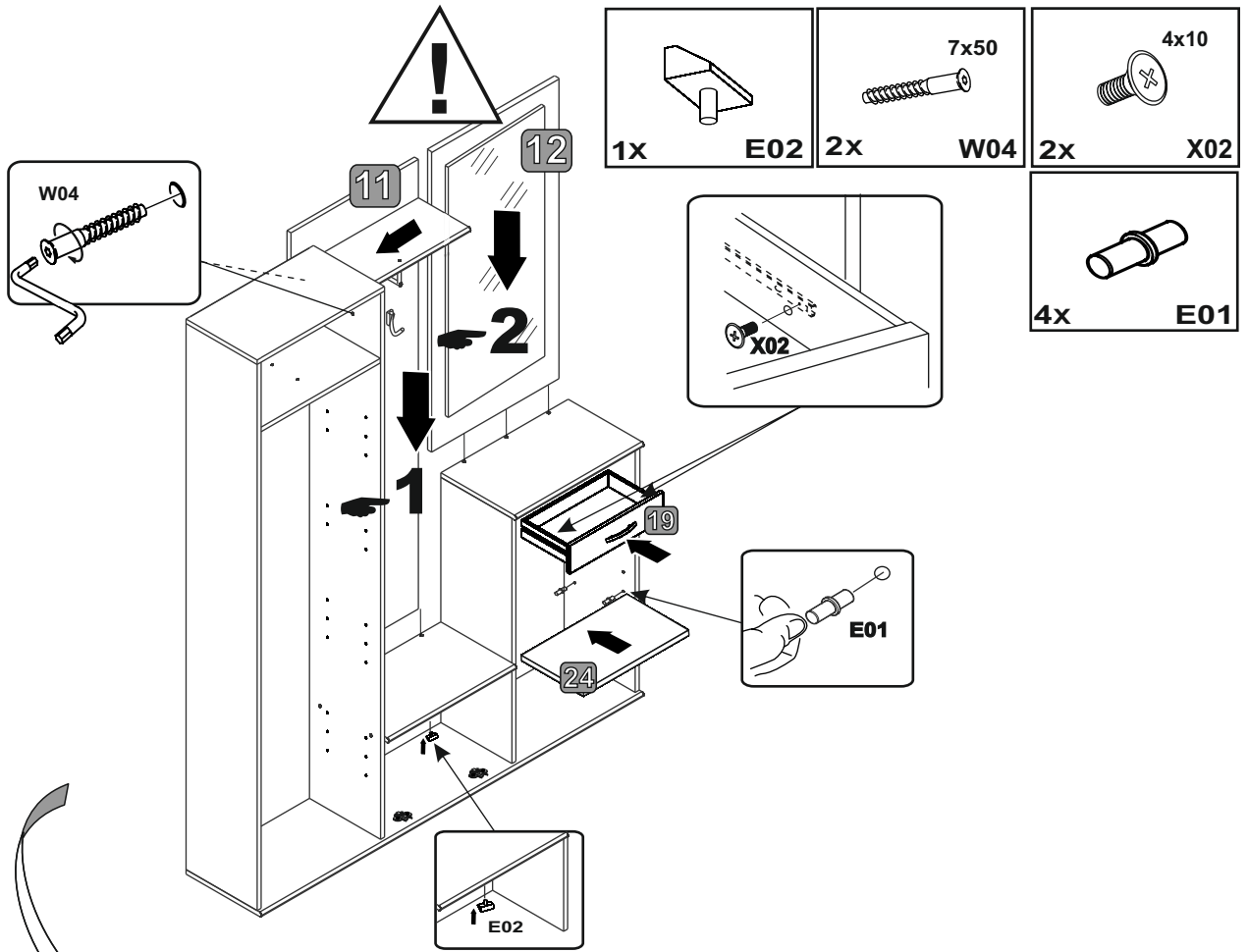
6



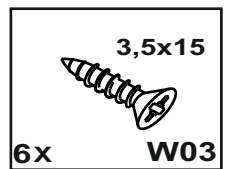
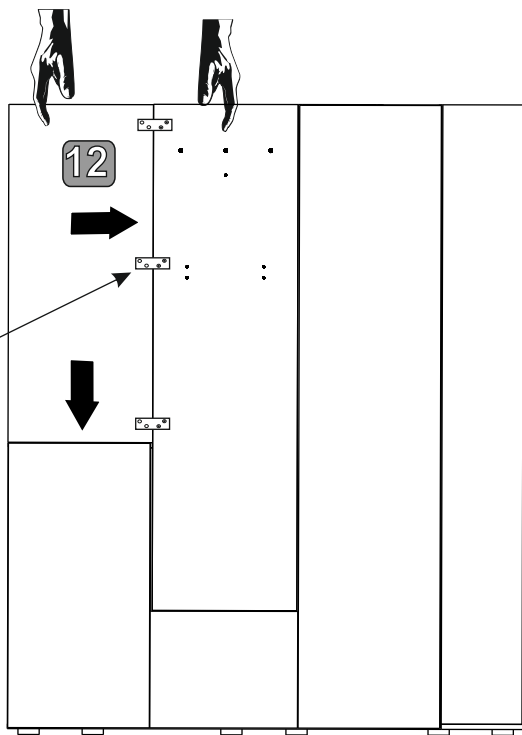
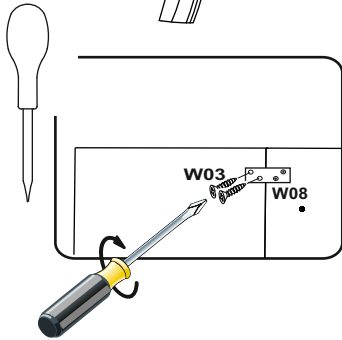
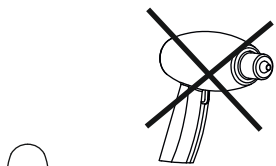
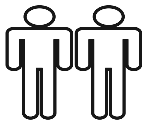
7



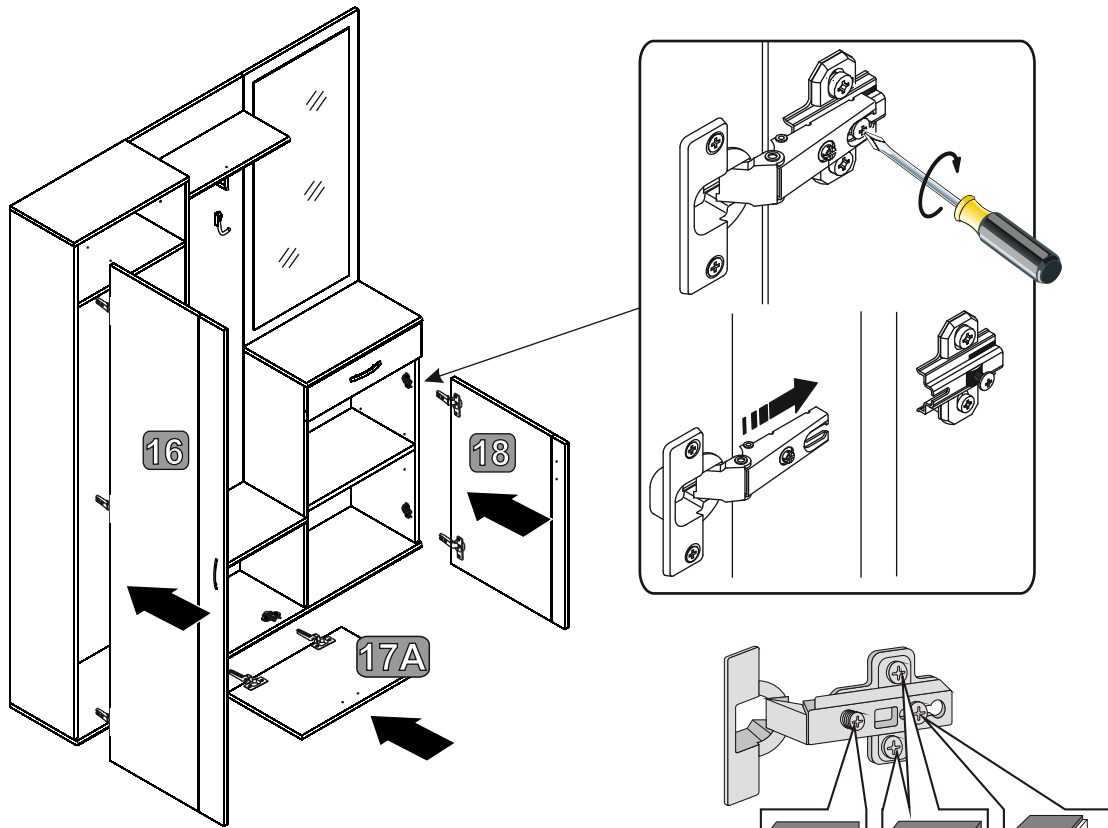
8



9



10



11

