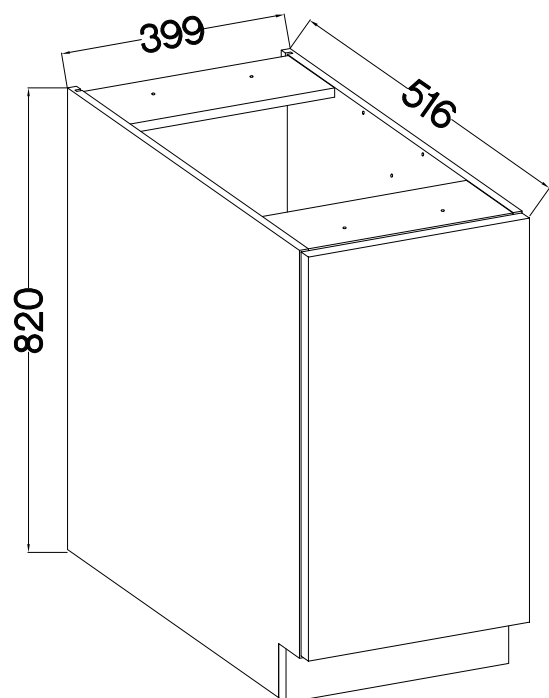
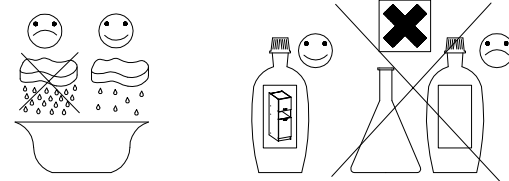
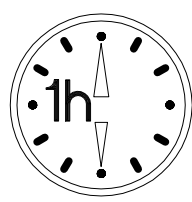


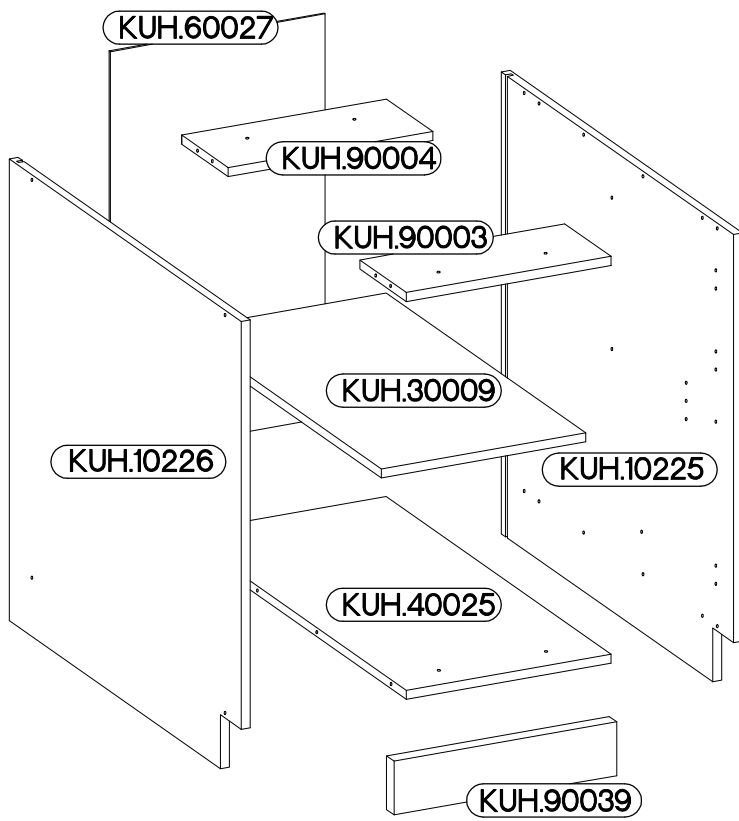
40 D 1F BB



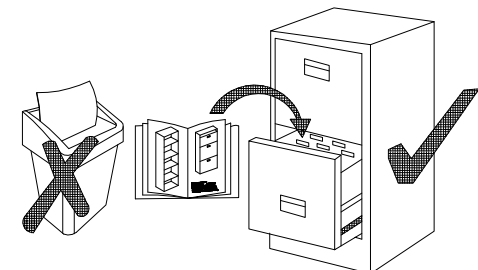
KUH.30009
KUH.40025



Ersatzteil Nummer	Dimension
KUH.10225	815x500x16
KUH.10226	815x500x16
KUH.30009	366x430x16
KUH.40025	367x485x16
KUH.60027	713x385x2,5
KUH.90003	367x100x16
KUH.90004	367x100x16
KUH.90039	399x95x16


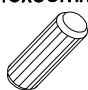


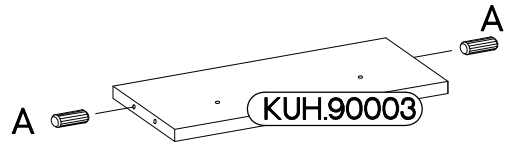
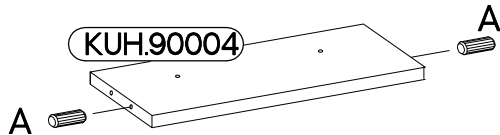
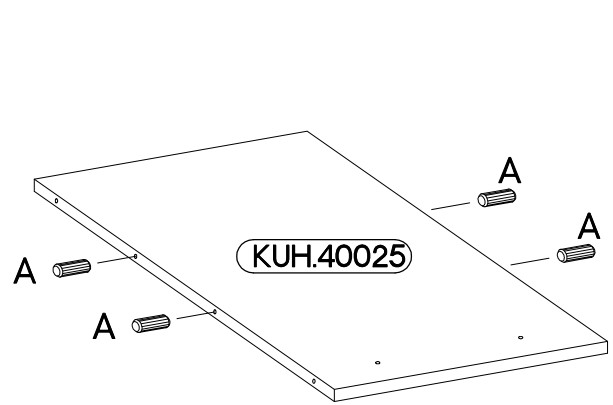
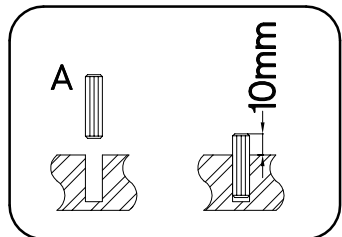
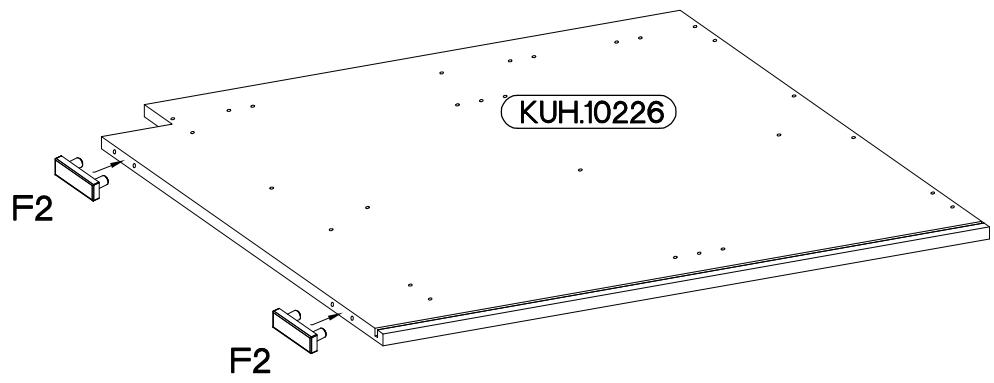
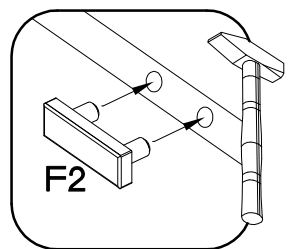
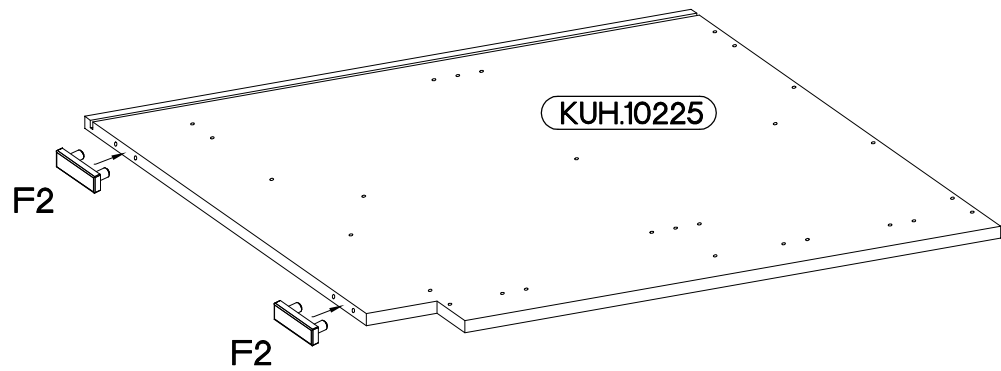
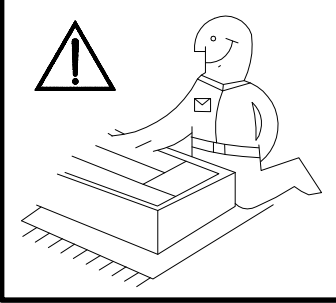
A	B	E1	E9	F2		
8	8	8	2	4		
HG	J	O	P4	P5	P7	R3
2	4	1	2	4	8-10	4



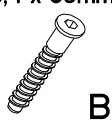


ISM-KUH-01133

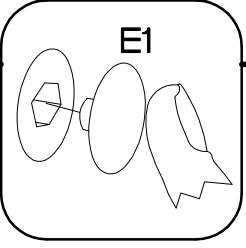
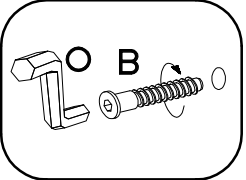
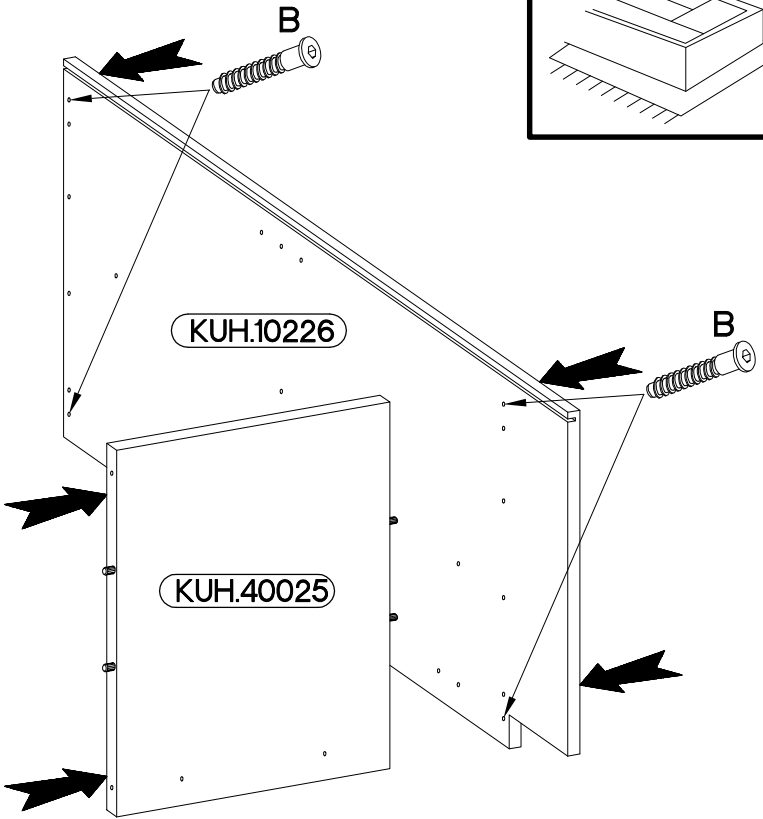
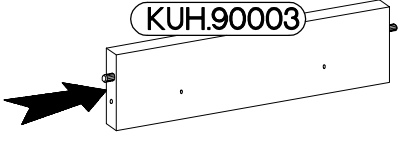
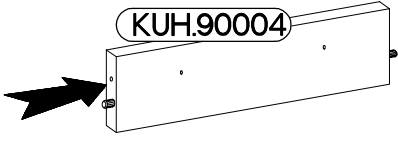
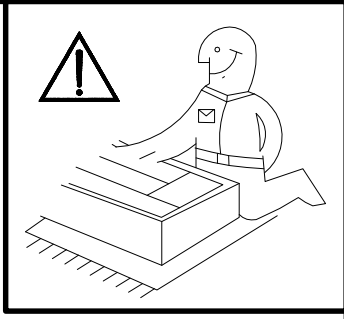
1

6.5x48x16  F2 4	±8x30mm  A 8
--	---

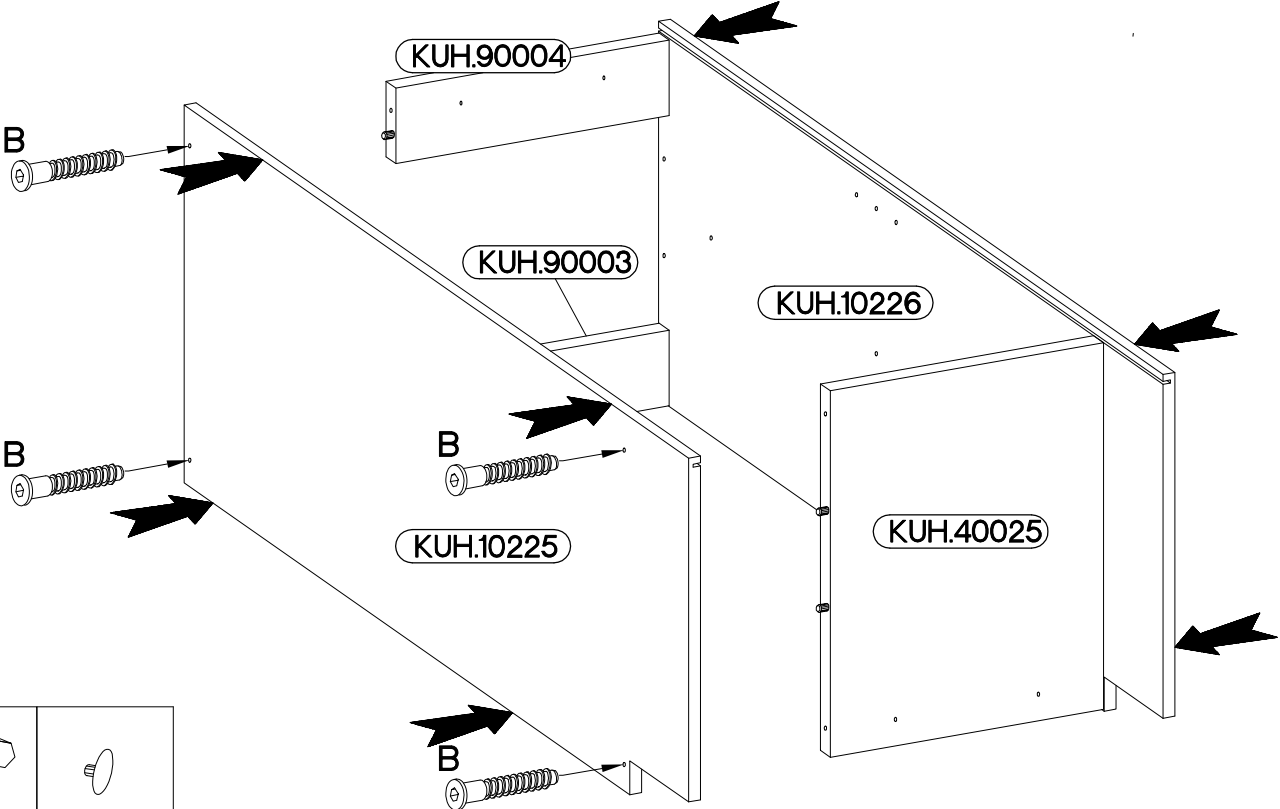


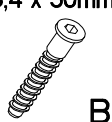
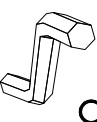

2

6,4 x 50mm		
		
B	O	E1
4	1	4

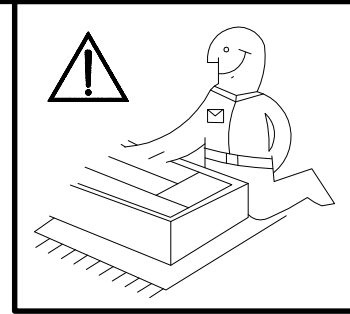
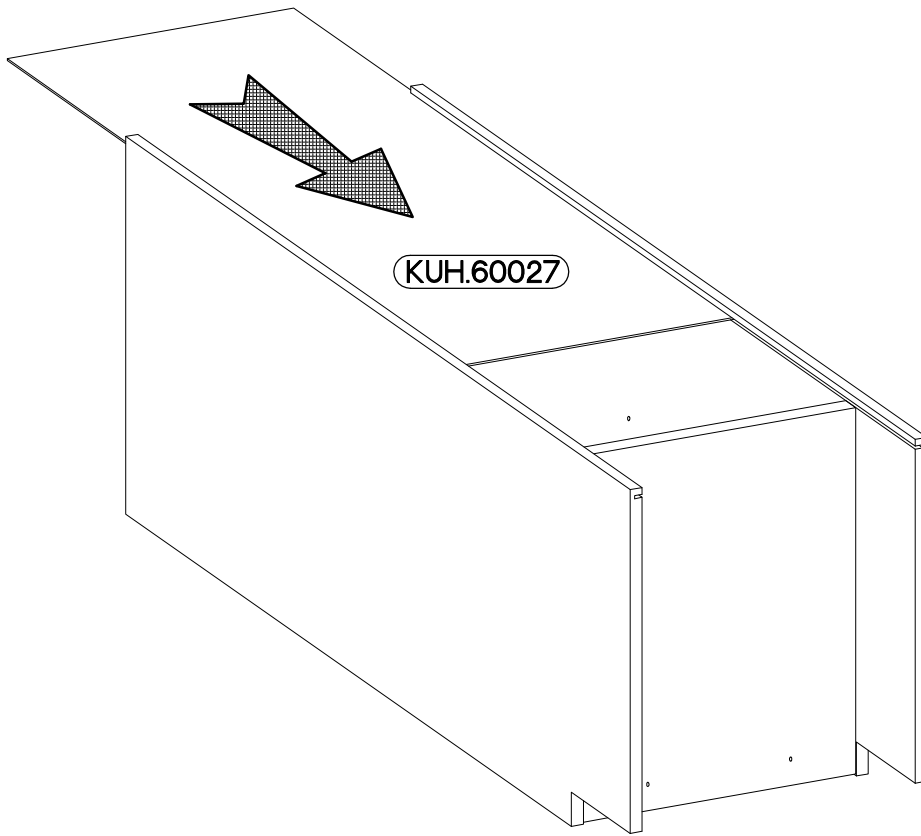


3

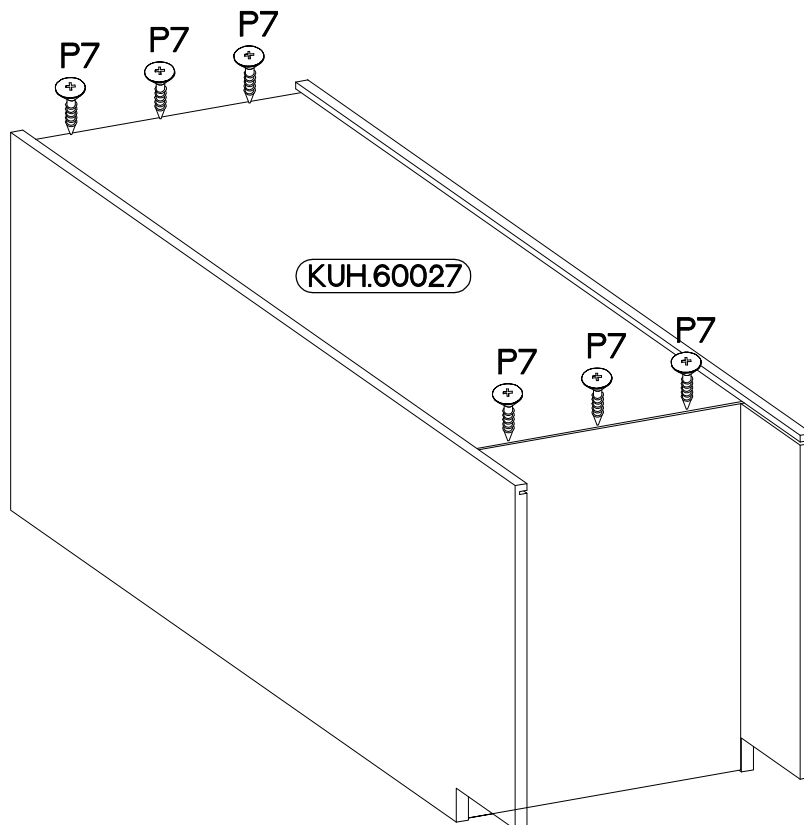
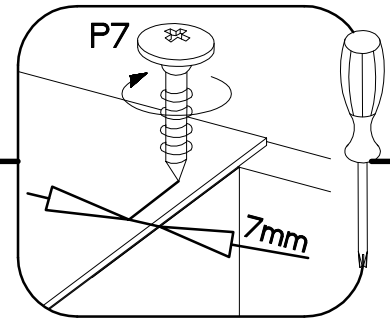
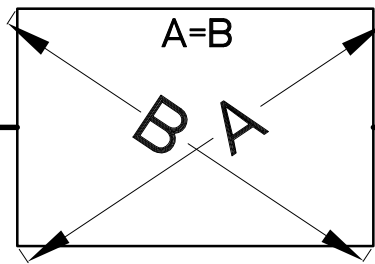
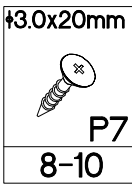


6,4 x 50mm		
		
B	O	E1
4	1	4



4

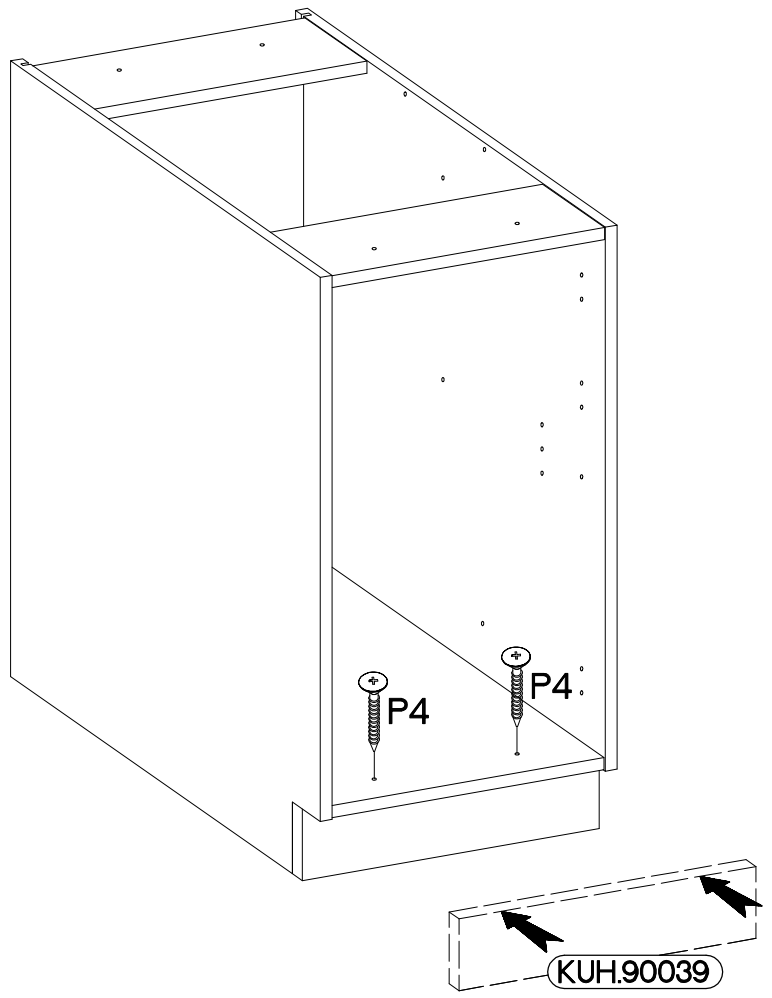
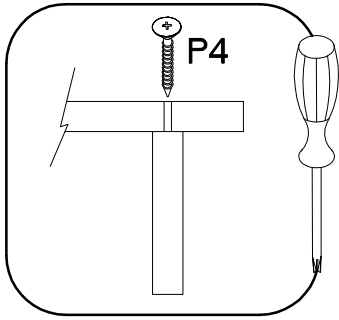


5




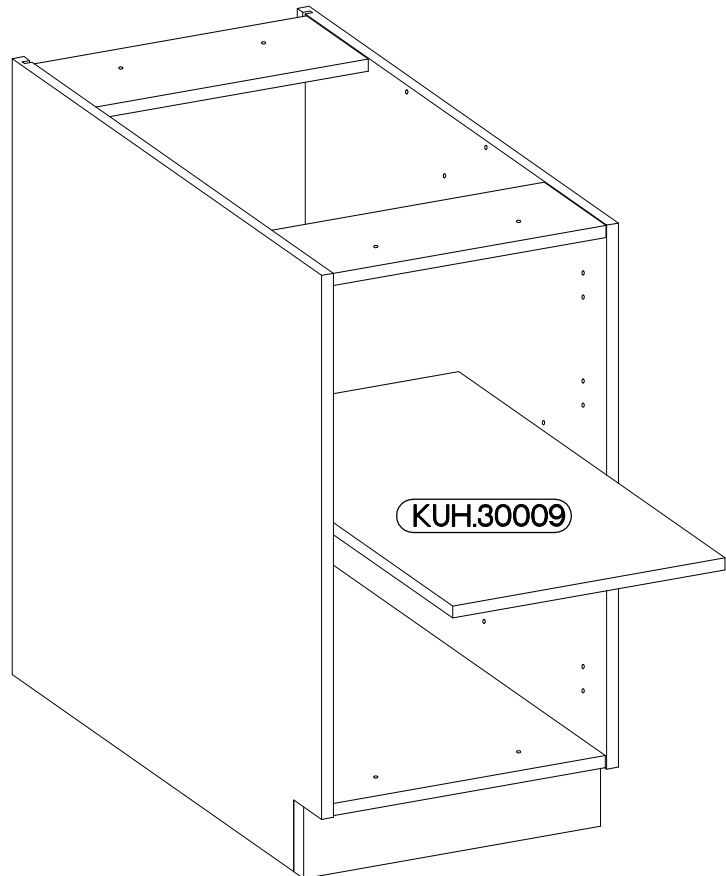
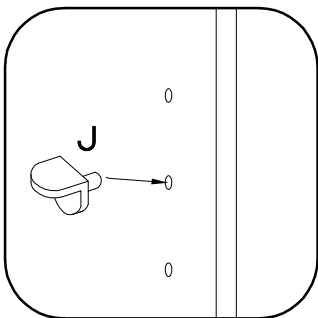
6

4.0x45mm		
	P4	E9
2		2



7

15/19mm		J
		4



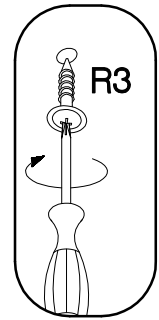
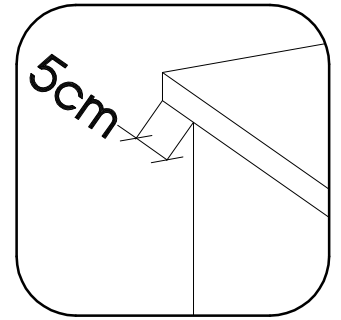
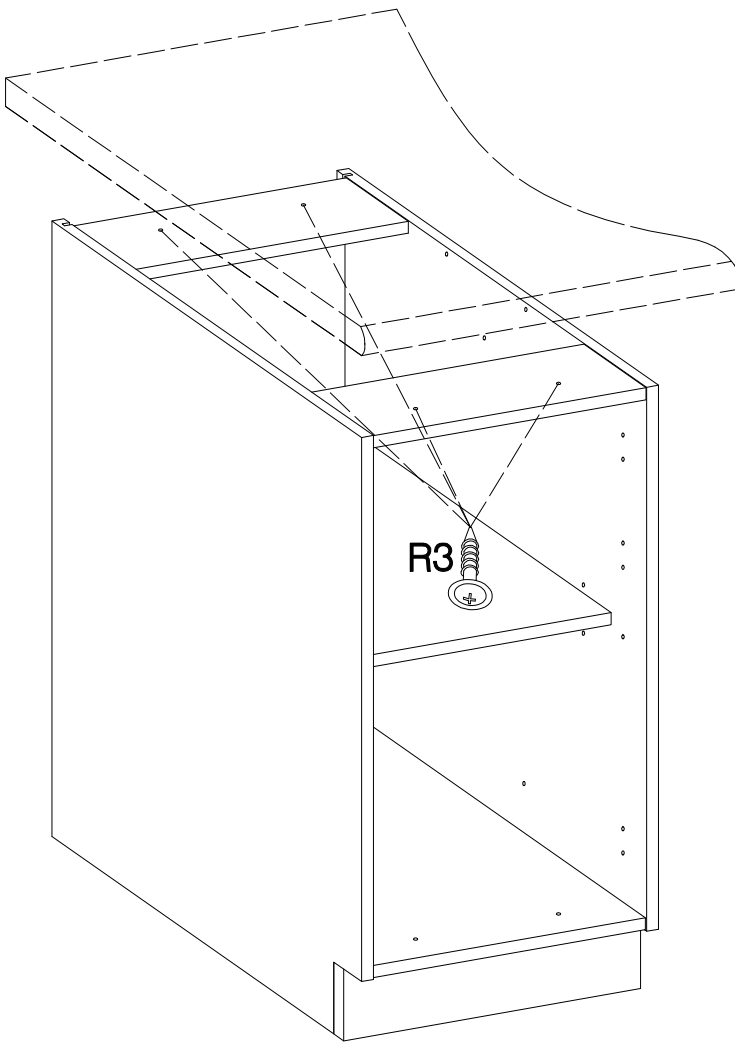
8

4.0x35mm



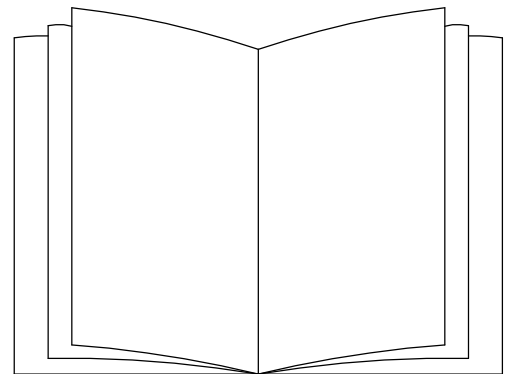
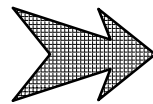
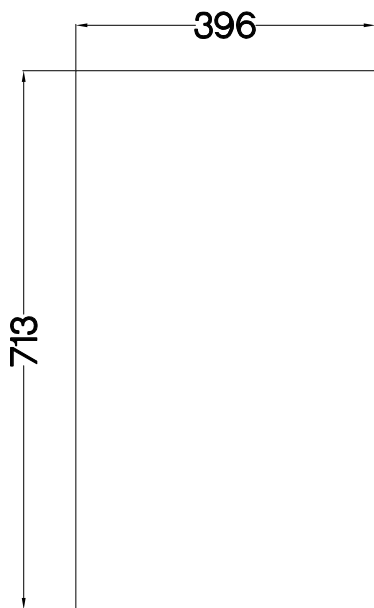
R3

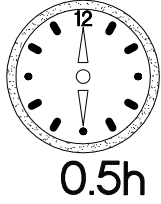
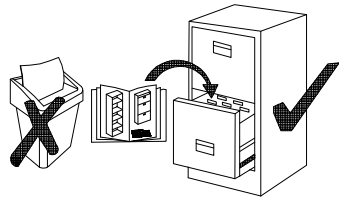
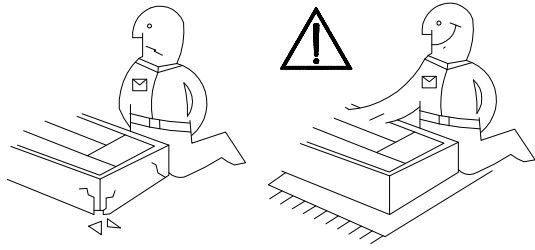
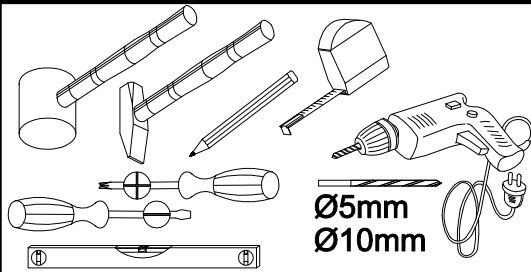
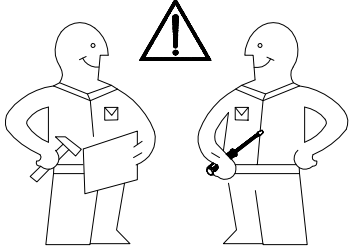
4



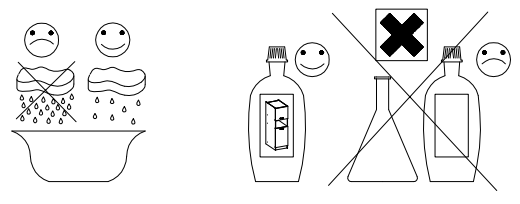
9

FRONT

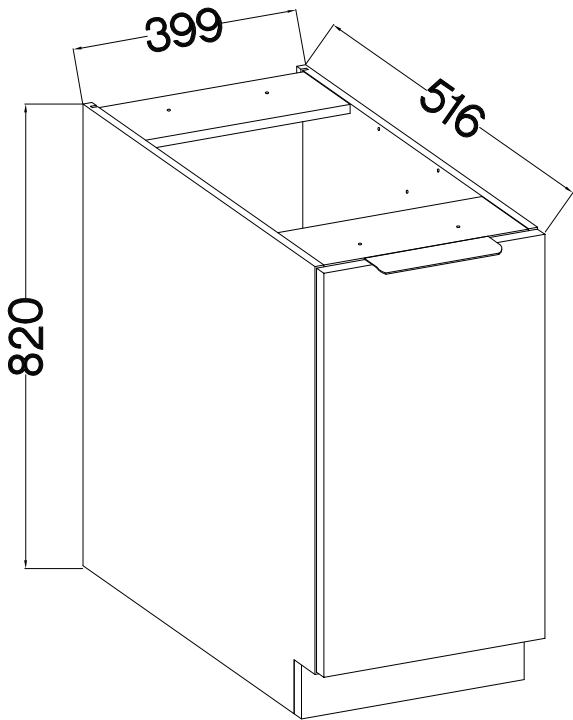




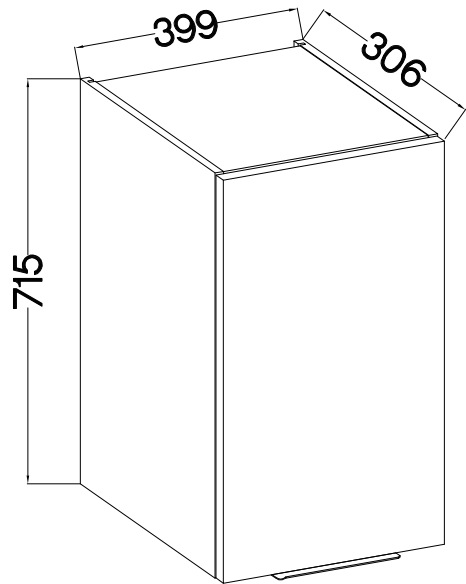
713x396
FRONT





40 D 1F BB



40 G-72 1F



KUH.71147

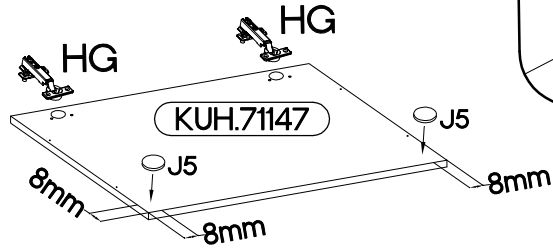
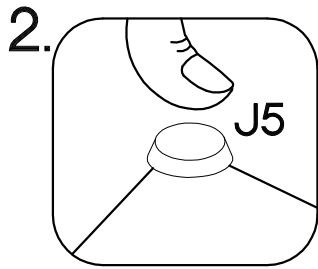
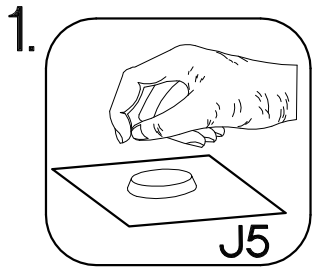
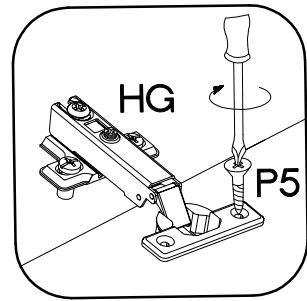
L=192mm	±7/2mm
	
S	J5
1	2

Ersatzteil Nummer	Dimension
KUH.71147	713x396x16

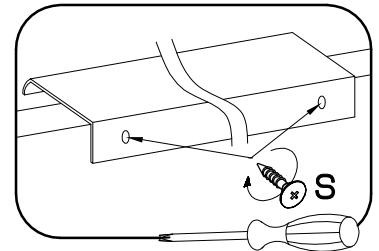
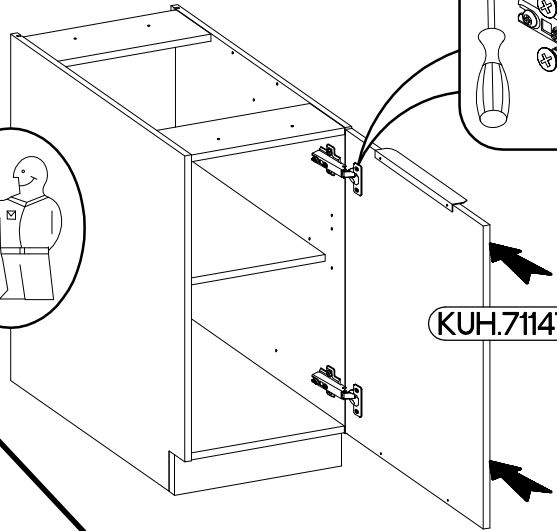
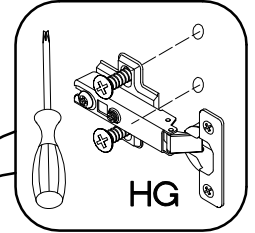
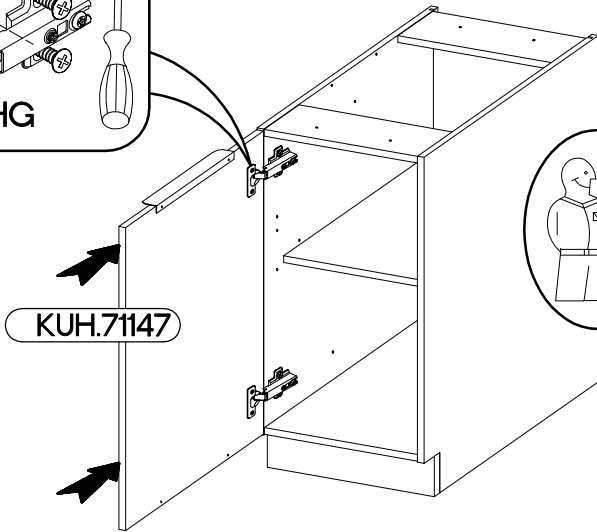
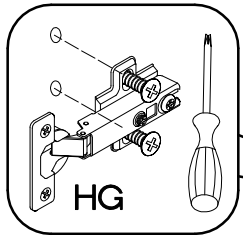
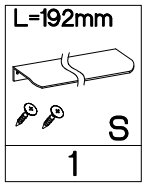
ISM-KUH-02030

1

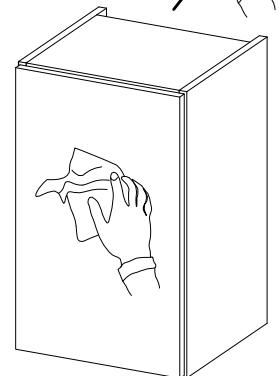
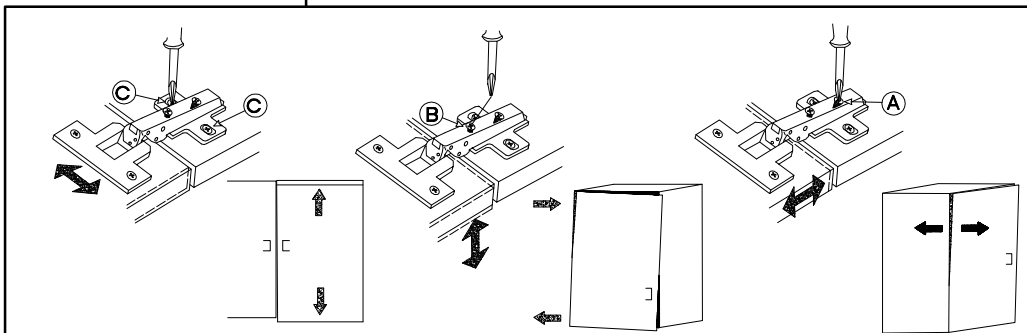
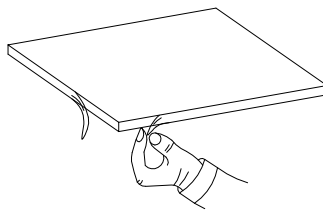
$\pm 35/0\text{mm}$ [CD] HG 2	$\pm 3.5 \times 13\text{mm}$ P5 4	$\pm 7/2\text{mm}$ J5 2
-------------------------------------	---	-------------------------------



2 40 D 1F BB



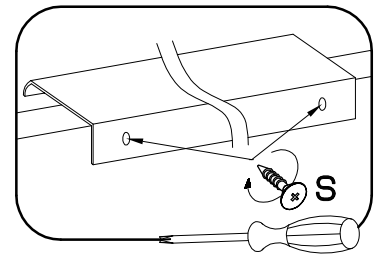
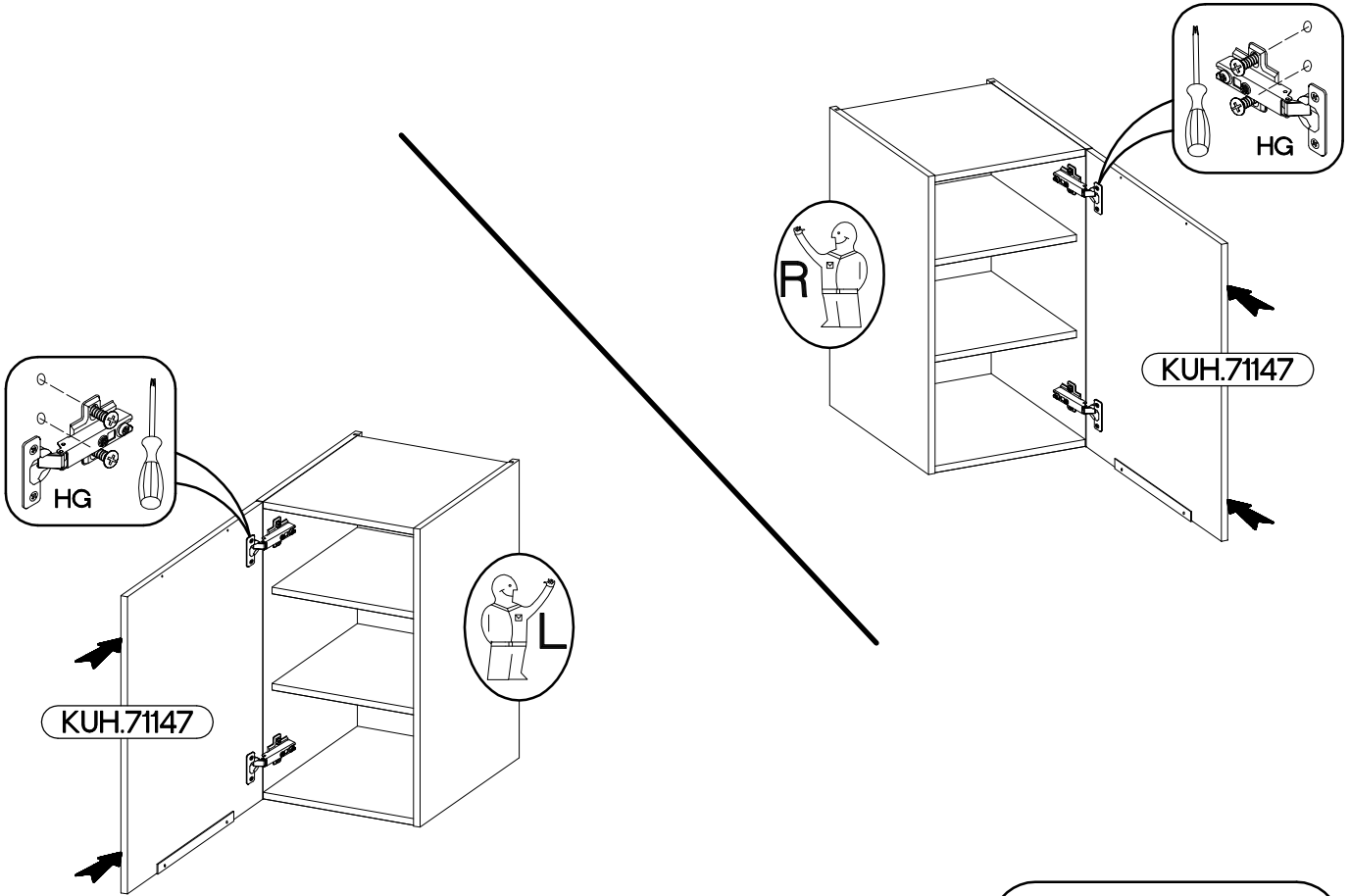
VARIANT HIGH GLOSS



L=192mm

S

1



VARIANT HIGH GLOSS

