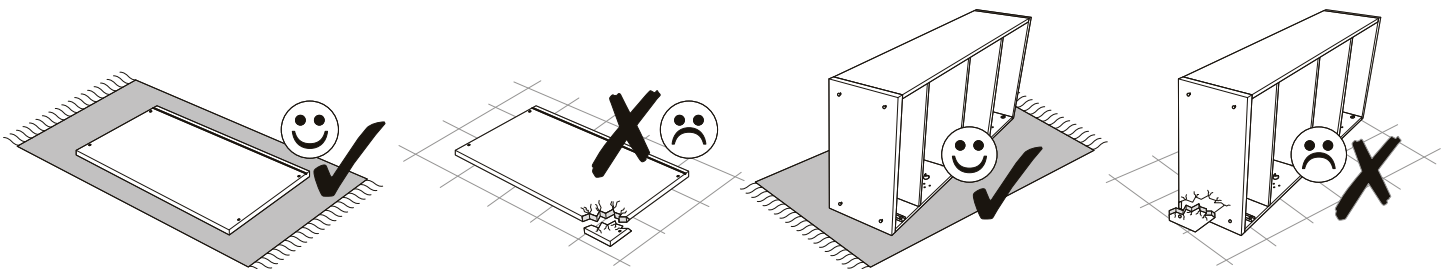
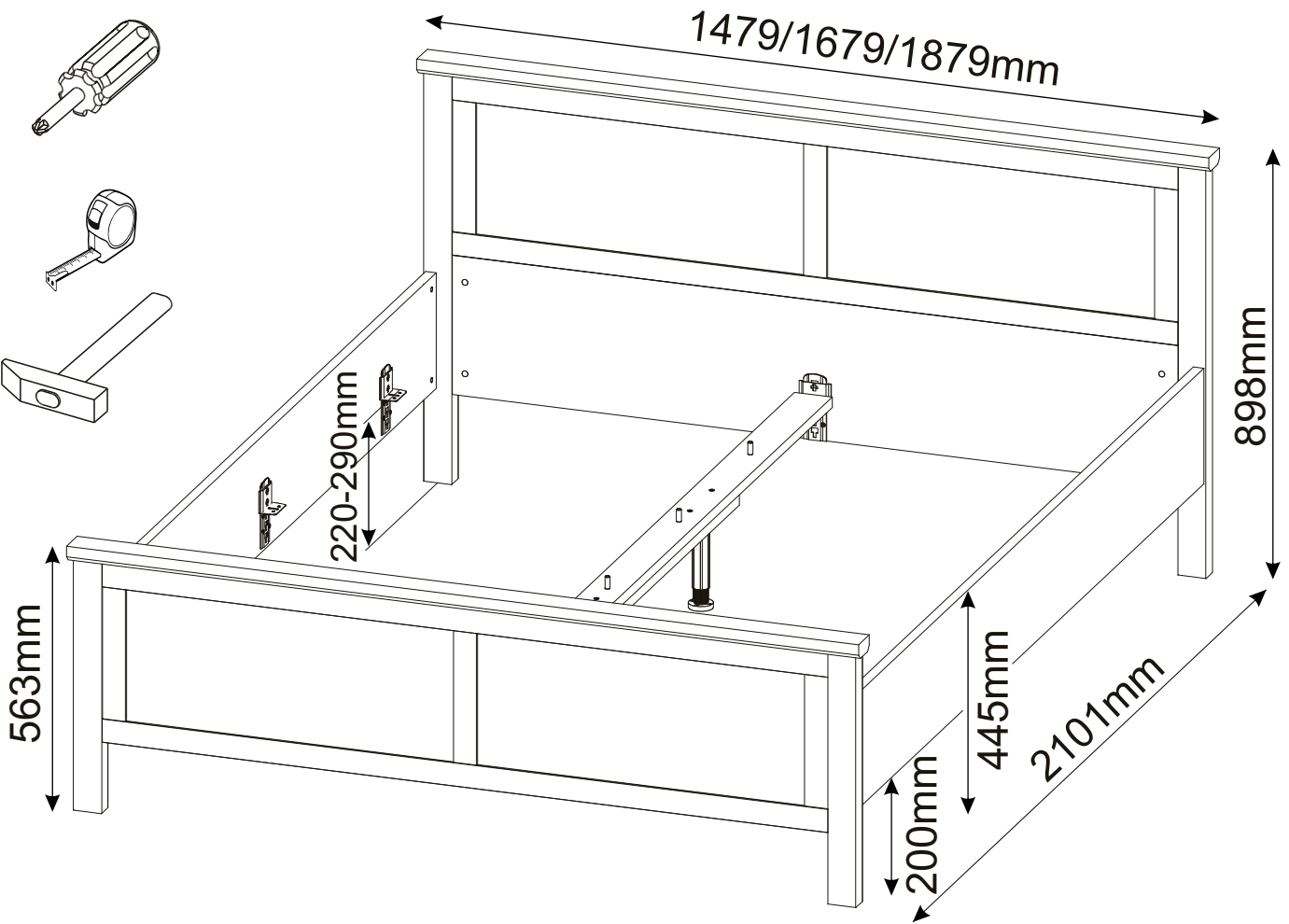
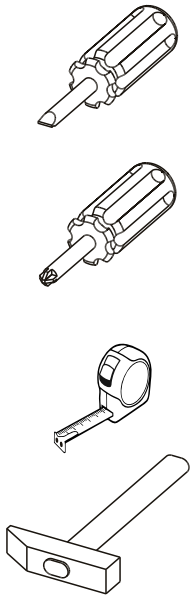
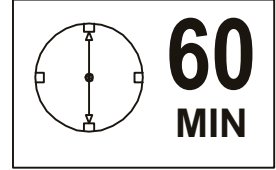
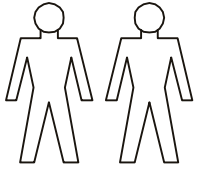






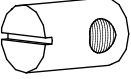
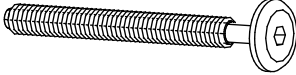

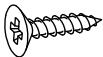



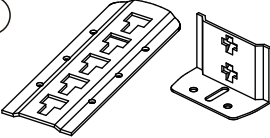
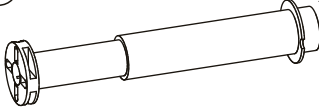

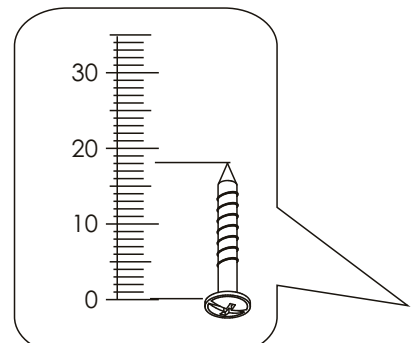
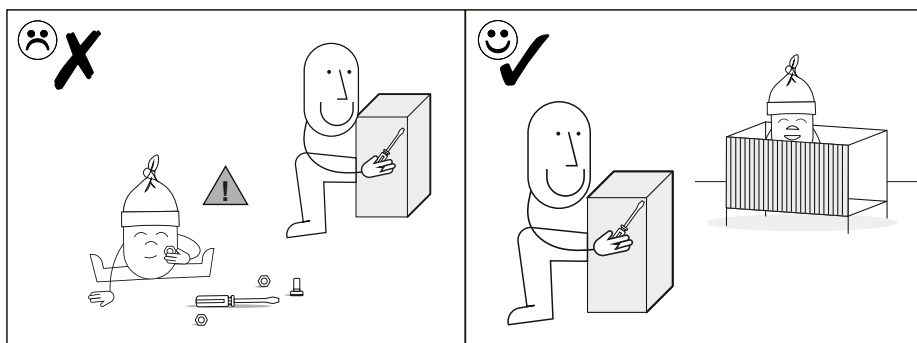
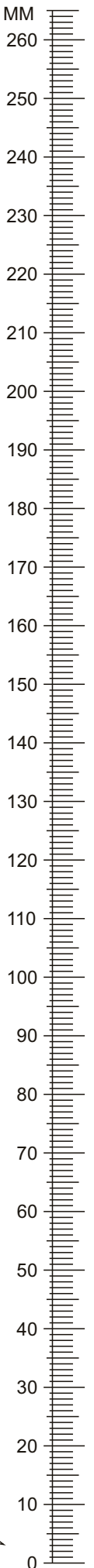


KORSIKA Bett 140/160/180


00030139/02
00030139/08
00030139/09




A0 8 x 30mm x32 	A5 10 x 40mm x4 	B1 7x 50 mm x4 
C2 x20 	C7 16mm x20 	C11 x4 
C21 x4 	C37 M6x70 mm x4 	C42 x4 
D10 4 x 16 mm x48 	D13 4 x 30 mm x16 	D30 EURO 6,3 x 13 mm x2 
K 4mm x1 	P3 x8 	T9 x2 
U2 x4 		




Bett 140

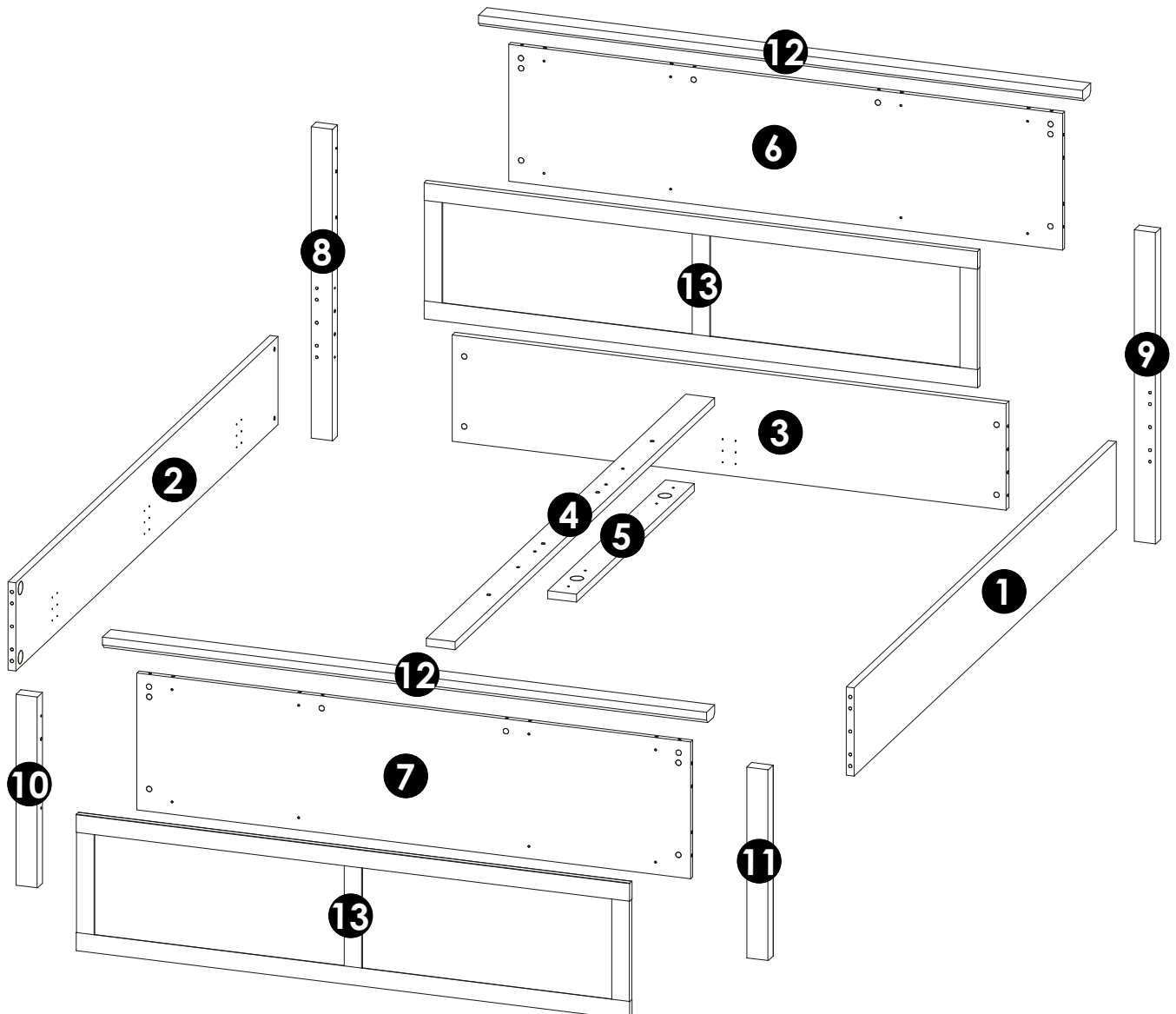
1	2001	245	22	x1	1/4
2	2001	245	22	x1	1/4
3	295	1339	22	x1	3/4
4	1982	80	22	x1	1/4
5	900	80	22	x1	1/4
6	380	1339	16	x1	2/4
7	380	1339	16	x1	2/4
8	865	60	38	x1	1/4
9	865	60	38	x1	1/4
10	530	60	38	x1	1/4
11	530	60	38	x1	1/4
12	1479	62	32	x2	3/4
13	1338	379	18	x2	2/4
					4/4

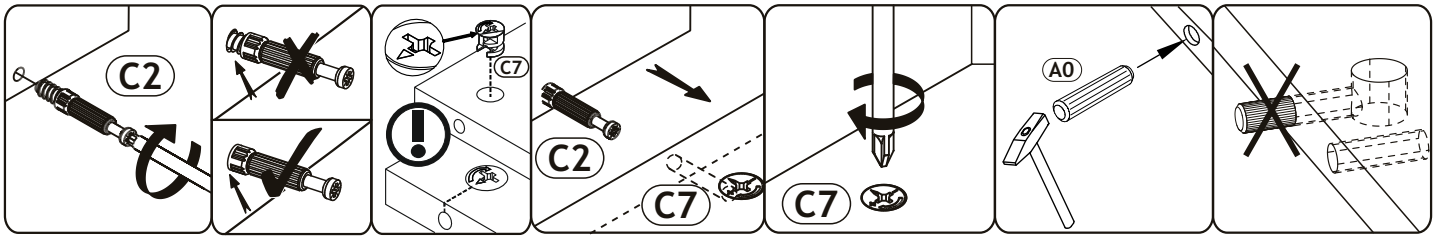
Bett 160

1	2001	245	22	x1	1/4
2	2001	245	22	x1	1/4
3	295	1539	22	x1	3/4
4	1982	80	22	x1	1/4
5	900	80	22	x1	1/4
6	380	1539	16	x1	2/4
7	380	1539	16	x1	2/4
8	865	60	38	x1	1/4
9	865	60	38	x1	1/4
10	530	60	38	x1	1/4
11	530	60	38	x1	1/4
12	1679	62	32	x2	3/4
13	1538	379	18	x2	2/4
					4/4


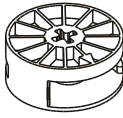
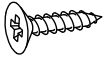
Bett 180

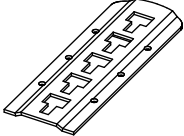
1	2001	245	22	x1	1/4
2	2001	245	22	x1	1/4
3	295	1739	22	x1	3/4
4	1982	80	22	x1	1/4
5	900	80	22	x1	1/4
6	380	1739	16	x1	2/4
7	380	1739	16	x1	2/4
8	865	60	38	x1	1/4
9	865	60	38	x1	1/4
10	530	60	38	x1	1/4
11	530	60	38	x1	1/4
12	1879	62	32	x2	3/4
13	1738	379	18	x2	2/4
					4/4

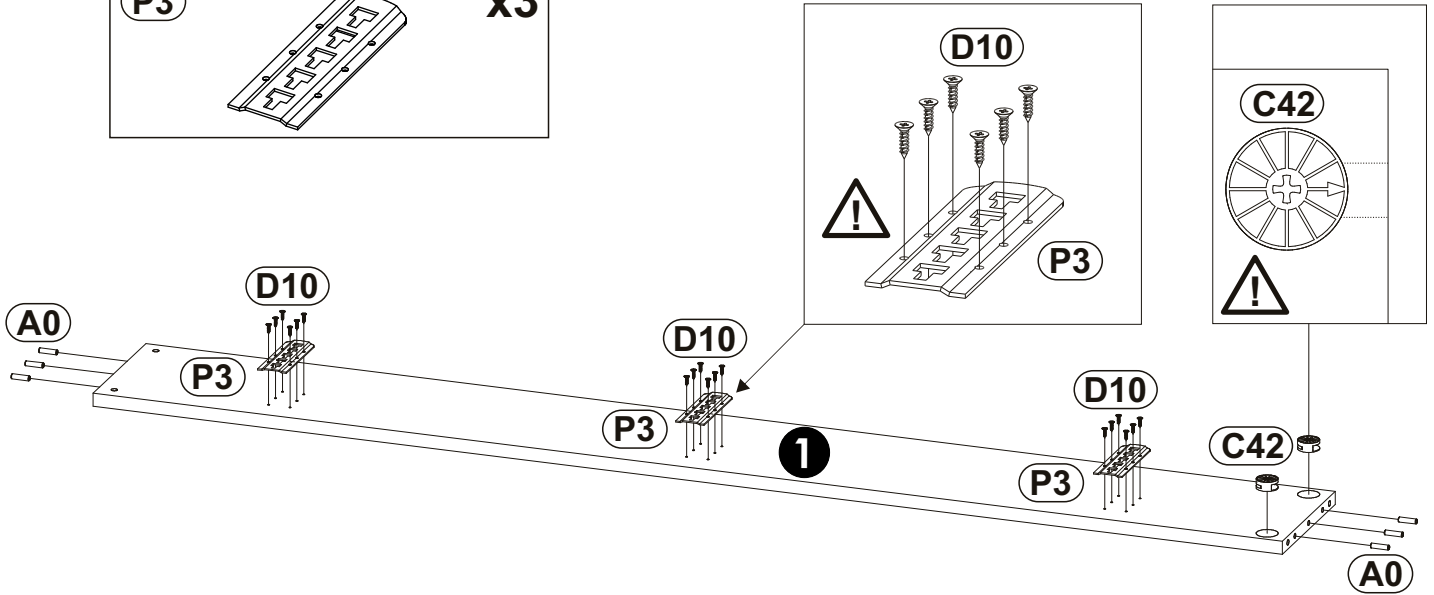





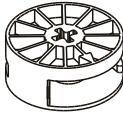
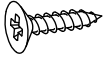
1

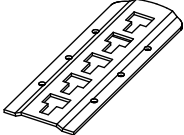
A0 8 x 30mm 	x6	C42 	x2	D10 4 x 16 mm 	x18
--	-----------	---	-----------	--	------------

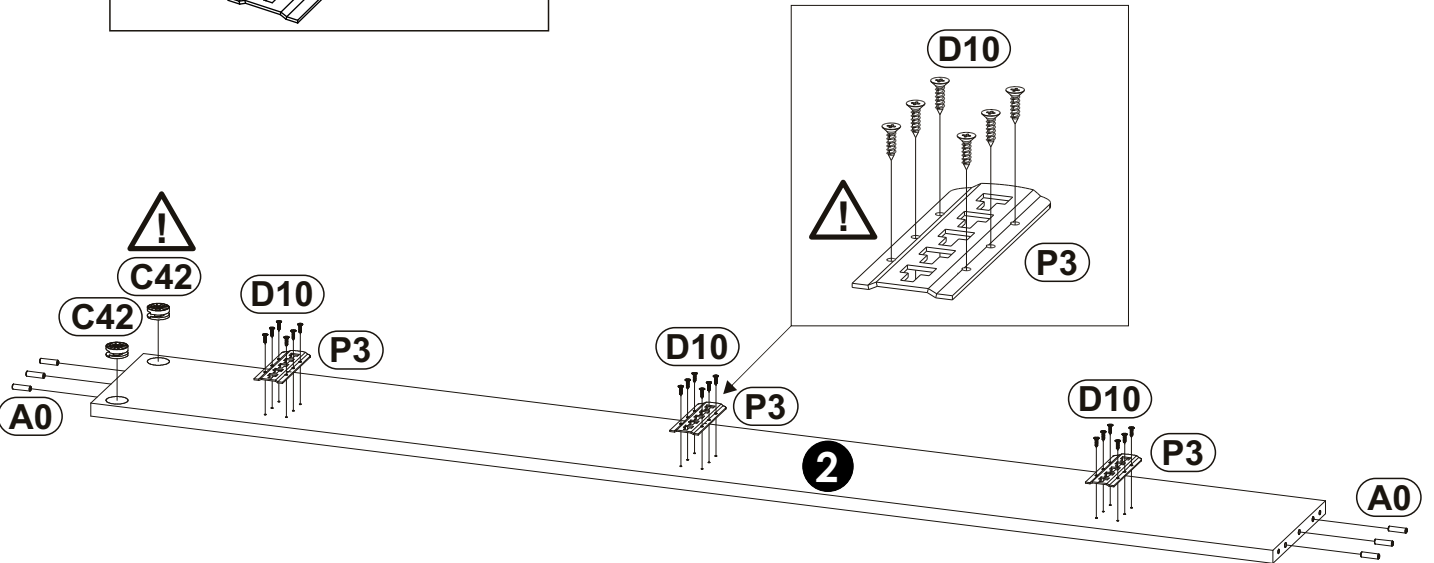
P3 	x3
--	-----------





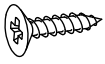
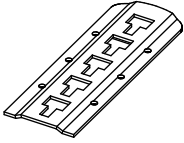
2

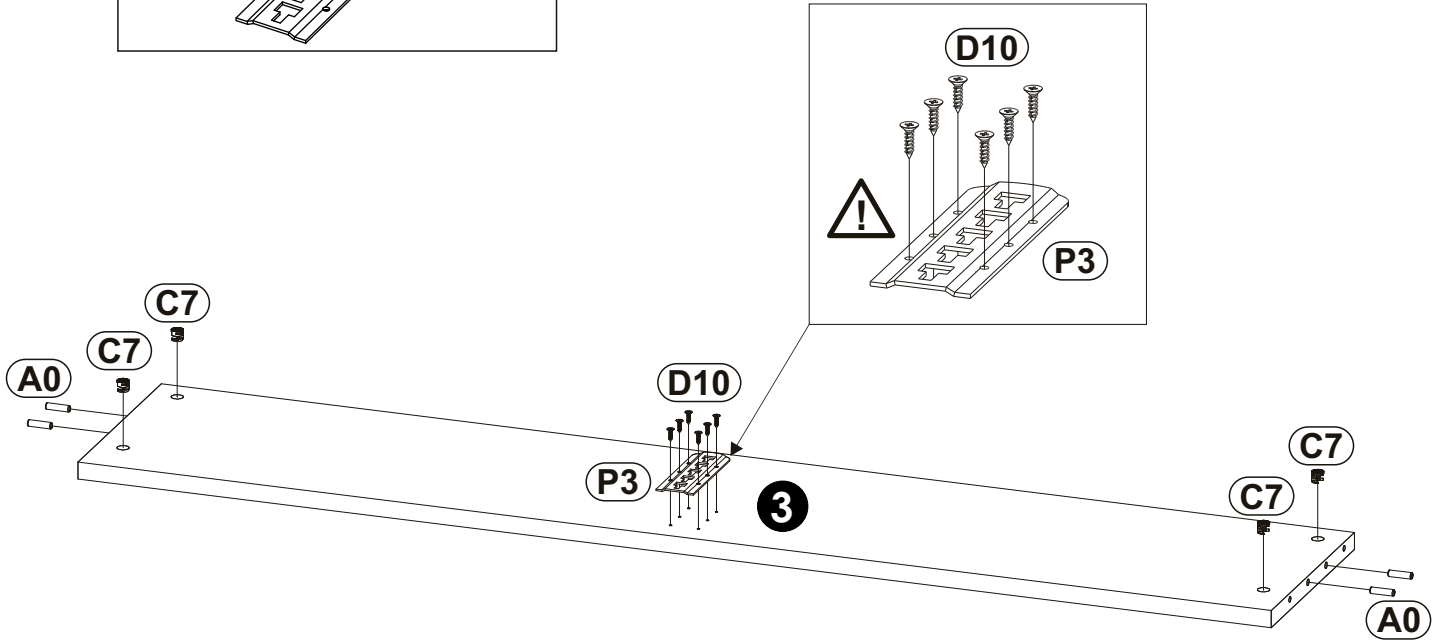
A0 8 x 30mm 	x6	C42 	x2	D10 4 x 16 mm 	x18
--	-----------	---	-----------	--	------------

P3 	x3
--	-----------





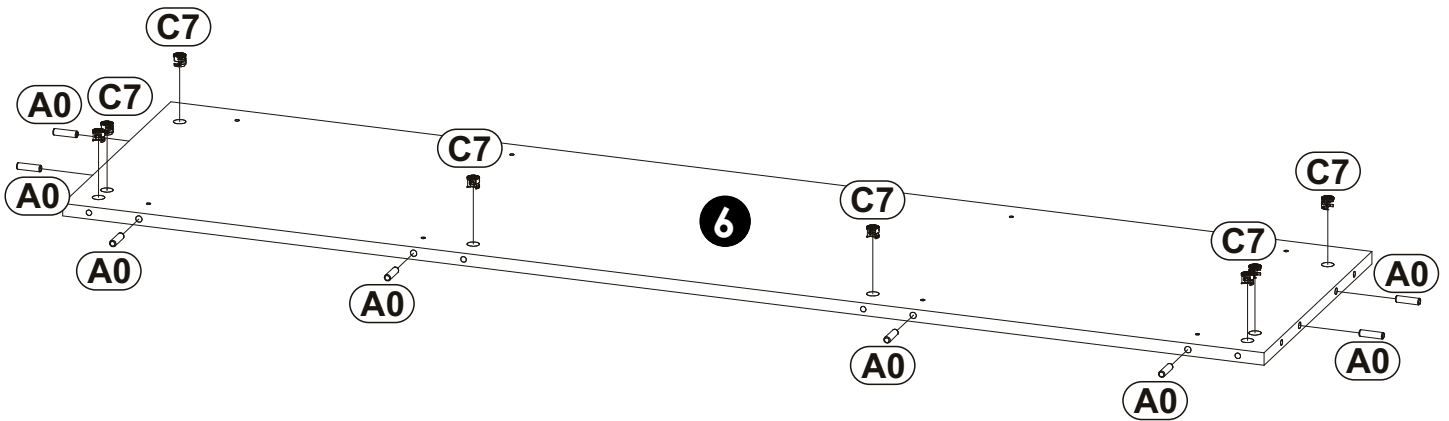
3

A0 8 x 30mm 	x4	C7 16mm 	x4	D10 4 x 16 mm 	x6
P3 	x1				

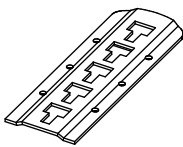
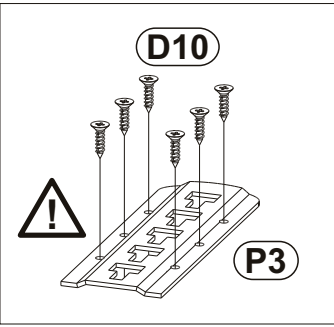


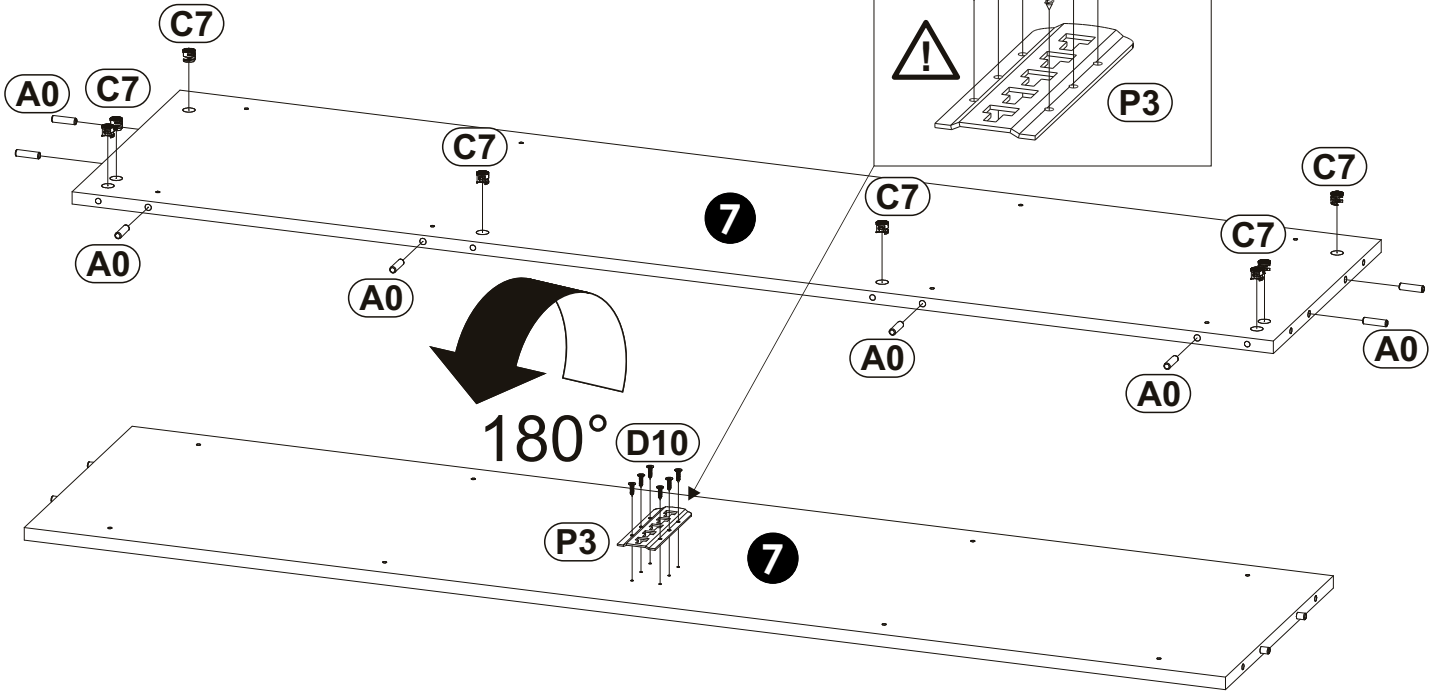
4

A0 8 x 30mm 	x8	C7 16mm 	x8
--	-----------	--	-----------

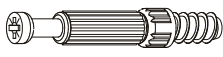



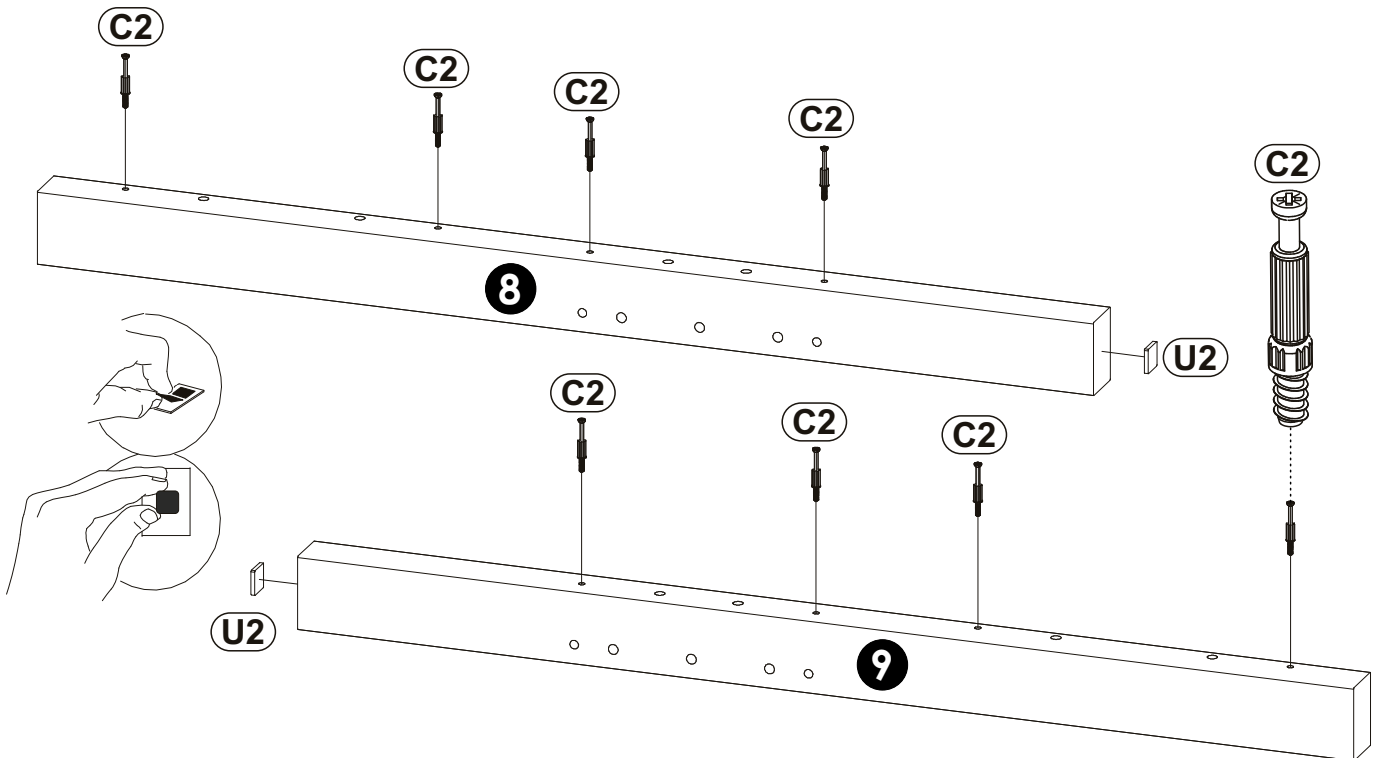
5

A0	8 x 30mm	x8	C7	16mm	x8	D10	4 x 16 mm	x6
P3		x1						

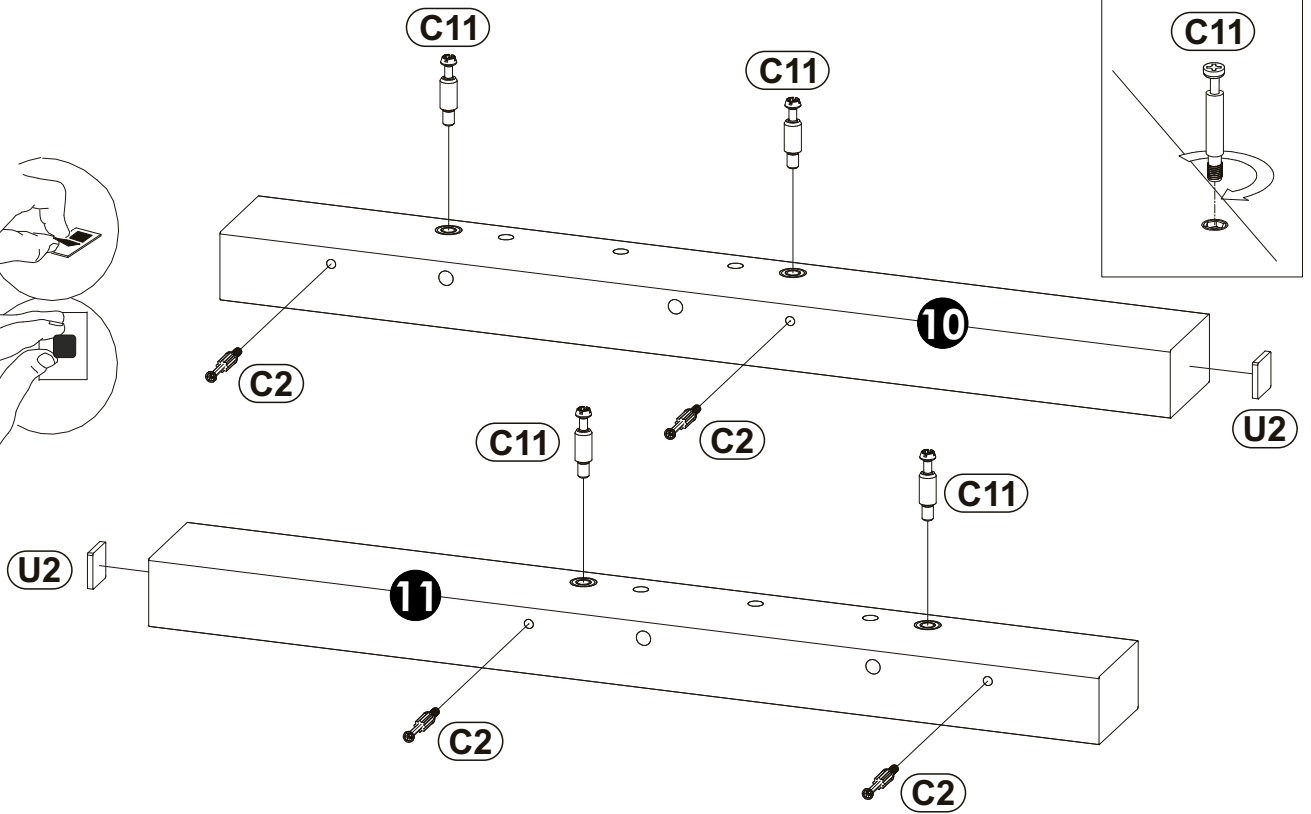
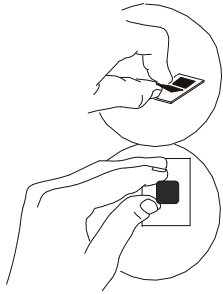
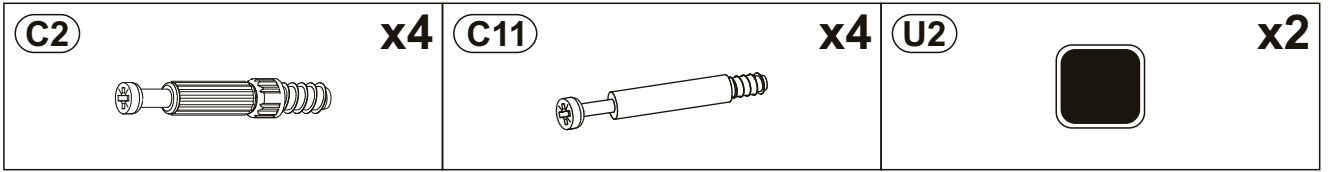


6

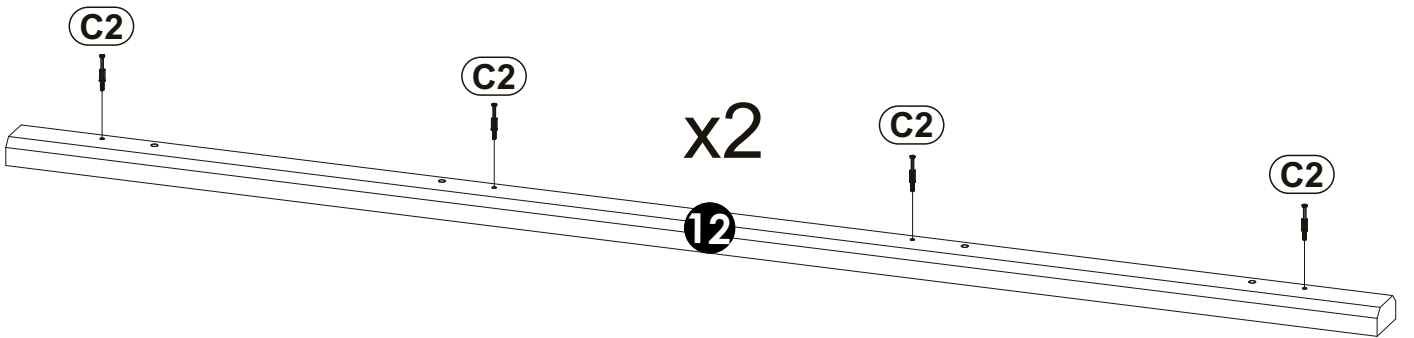
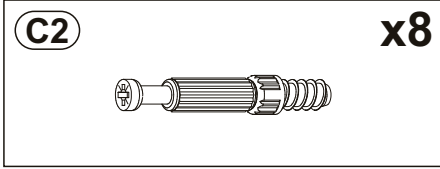
C2		x8	U2		x2
-----------	---	-----------	-----------	---	-----------



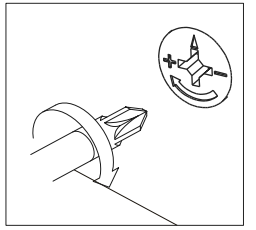
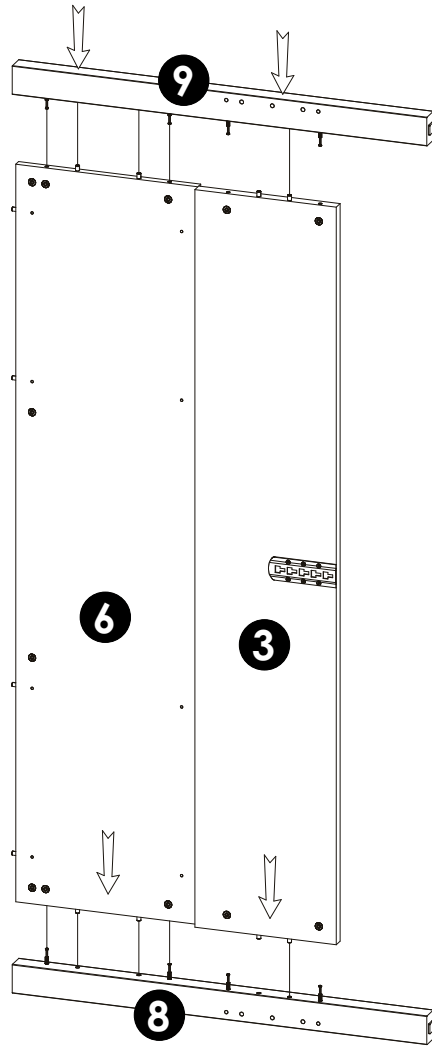
7



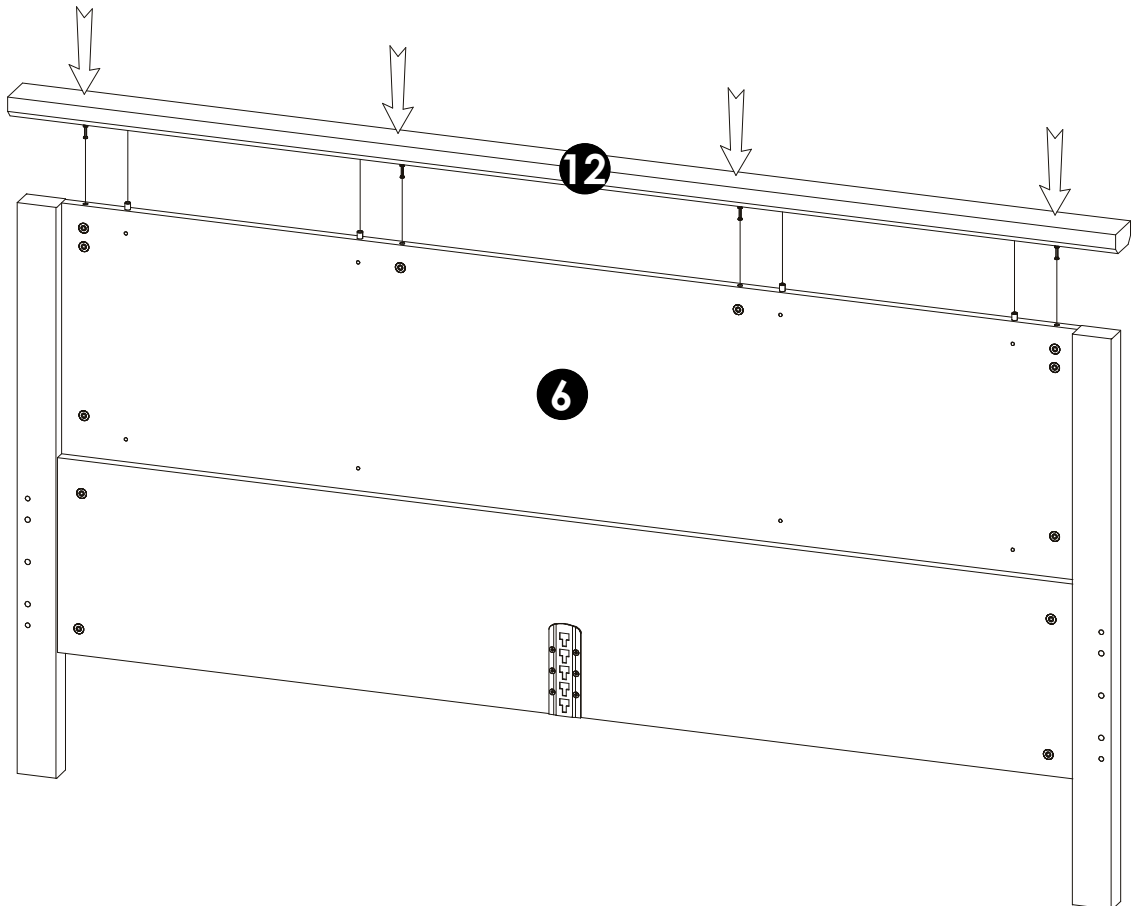
8



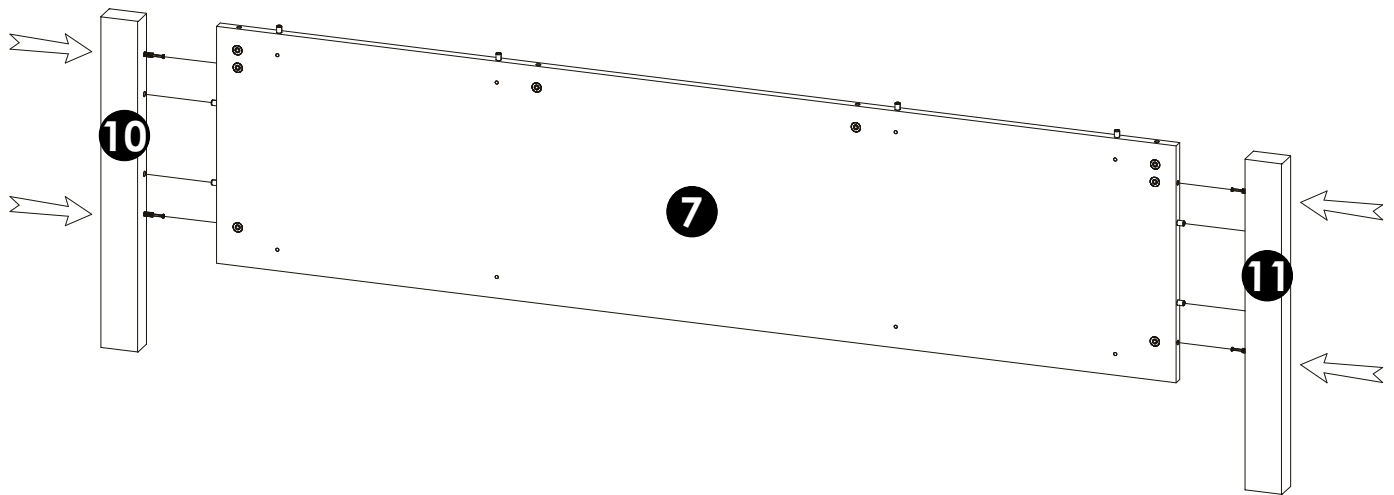
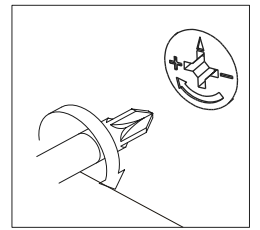
9



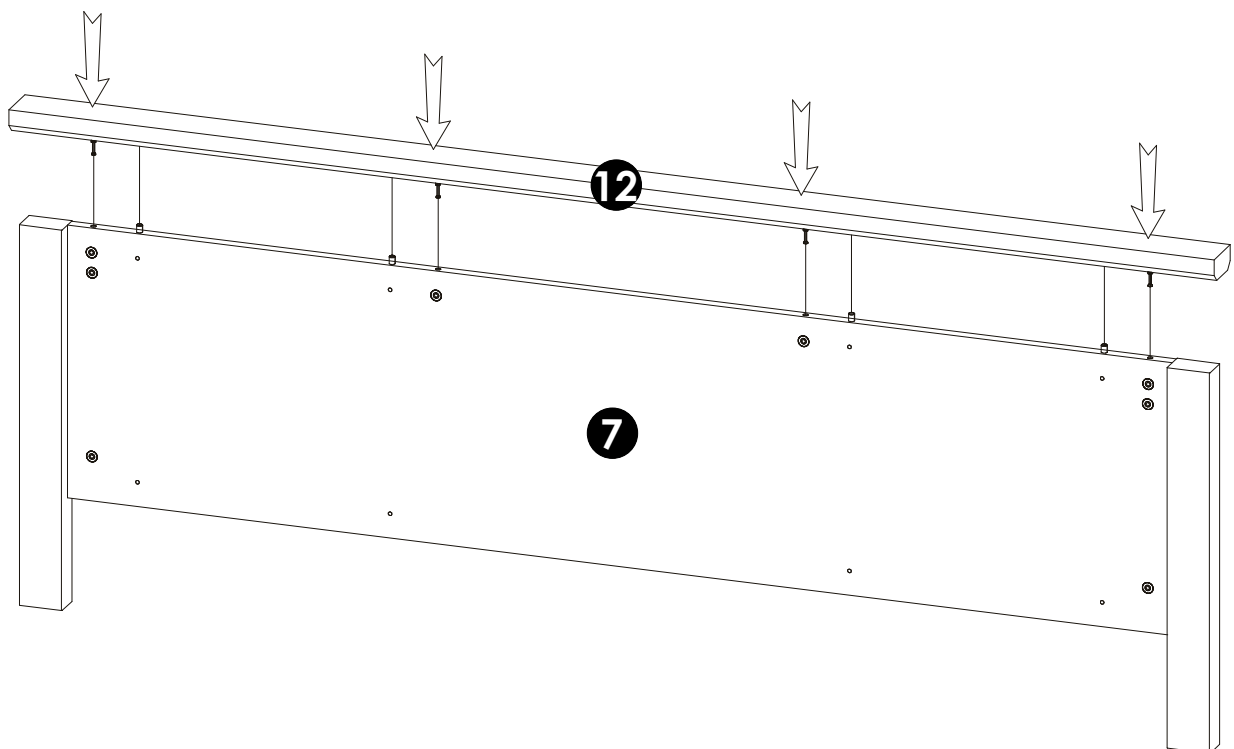
10



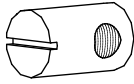
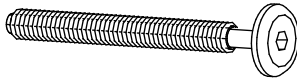

11

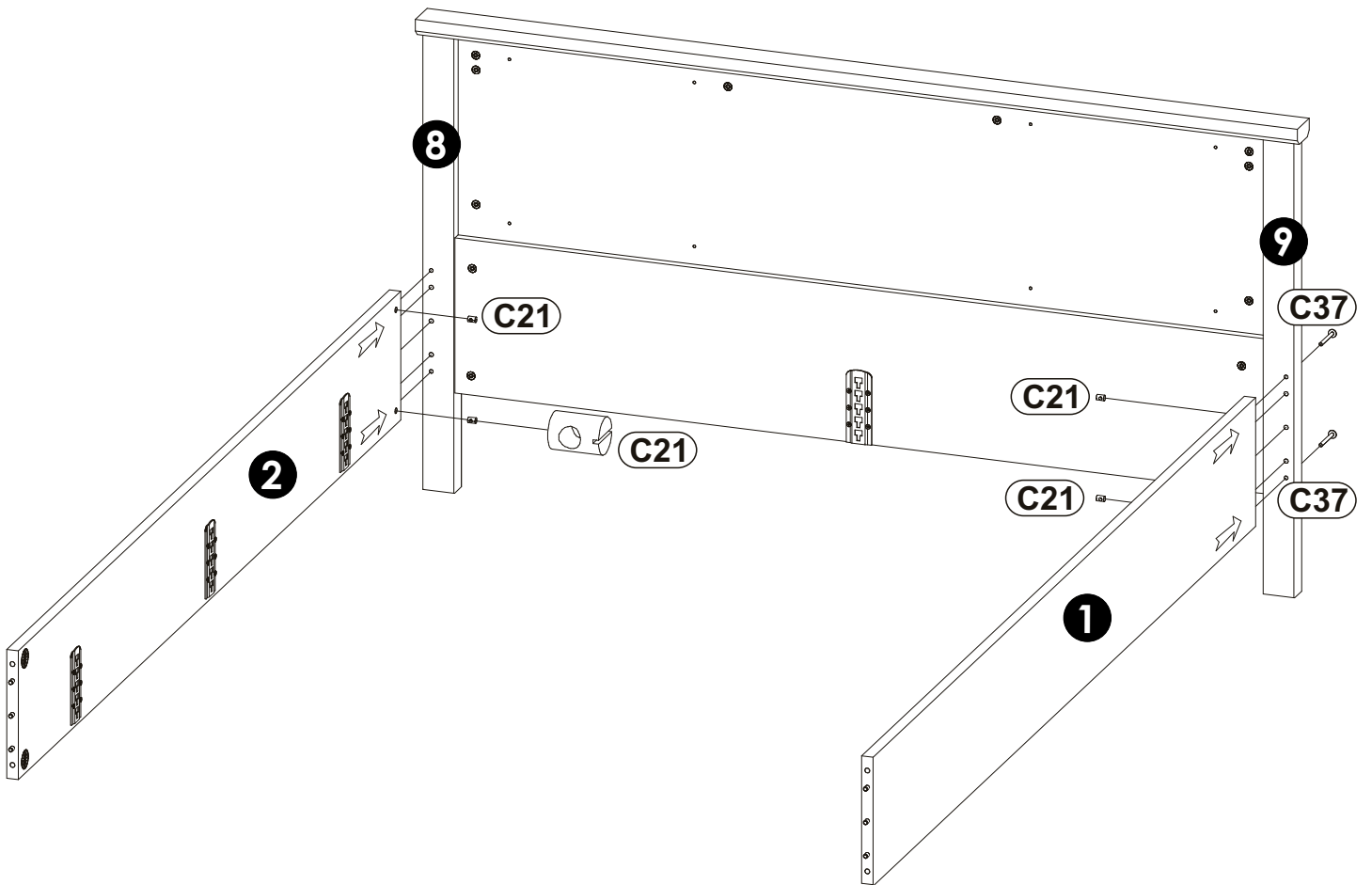
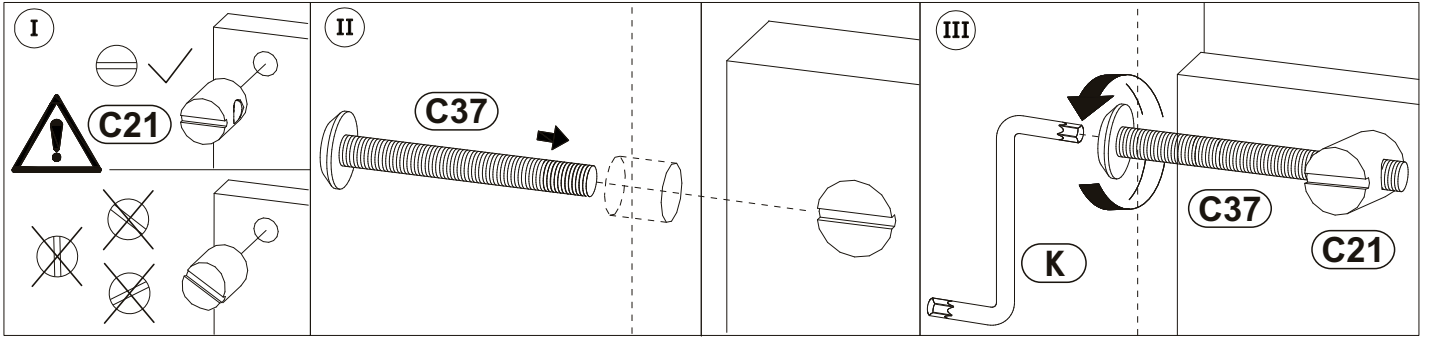


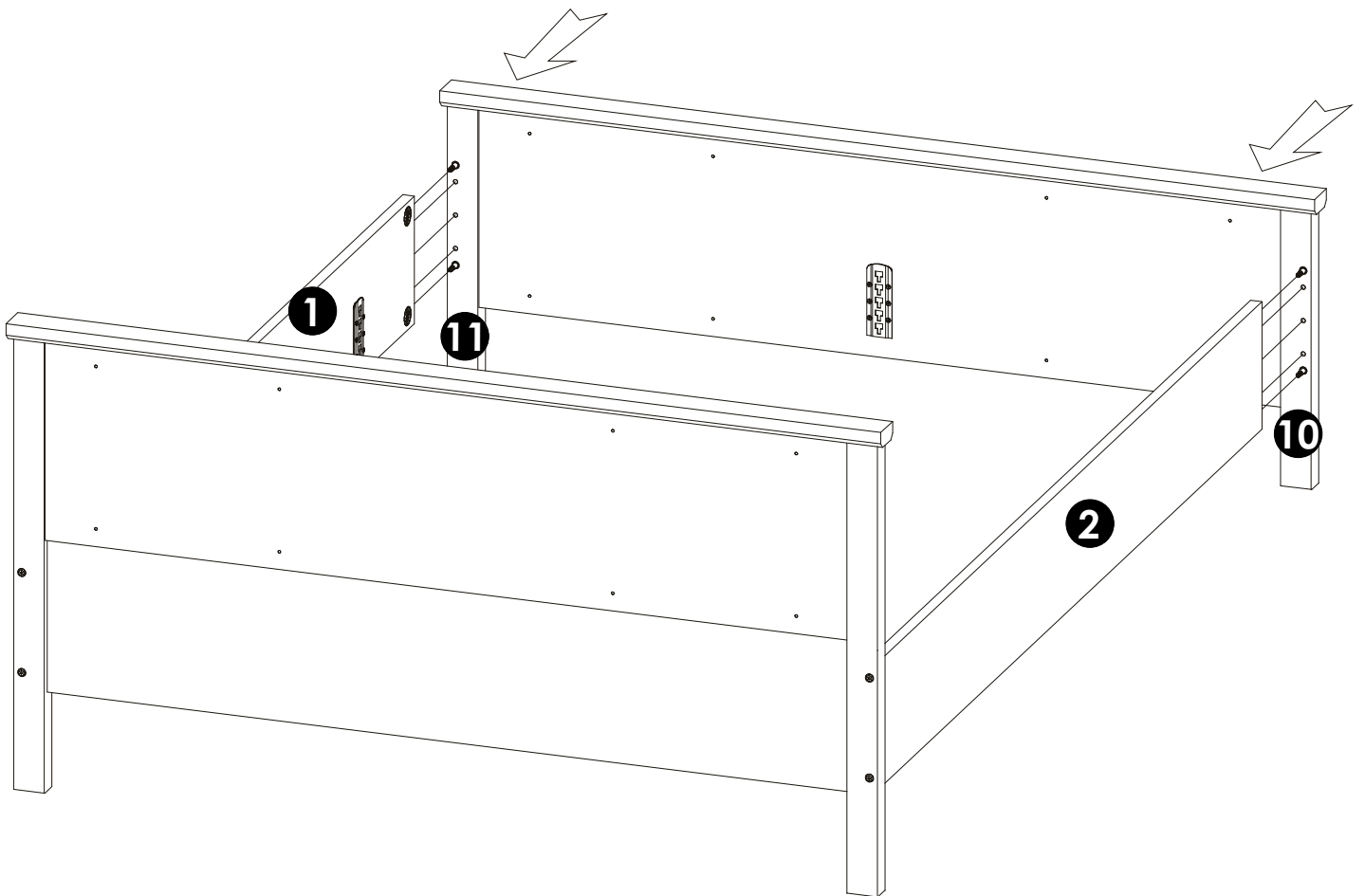
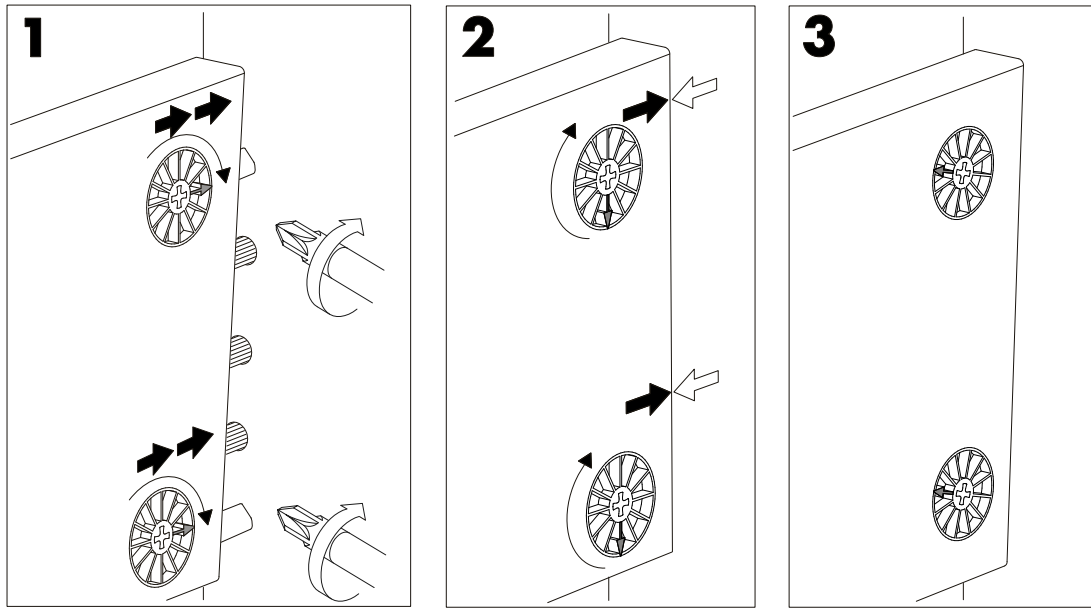
12





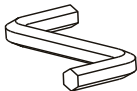
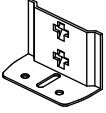
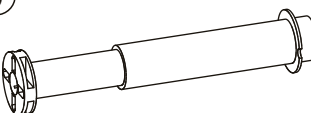
13

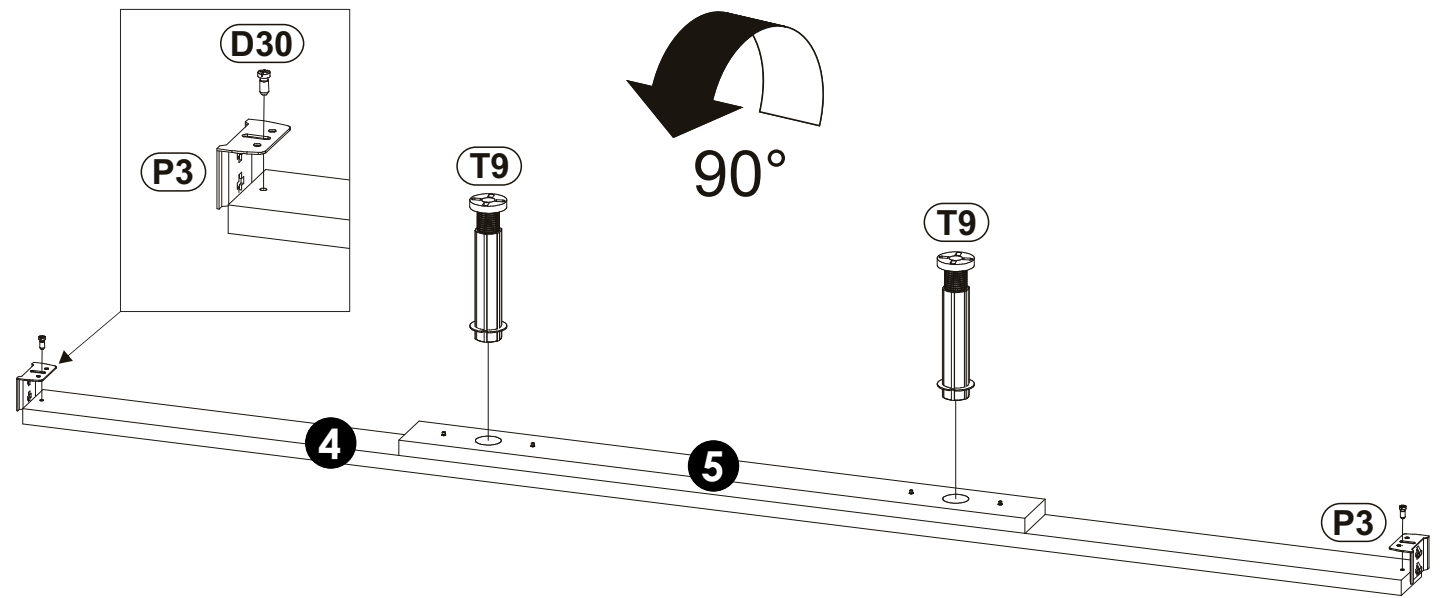
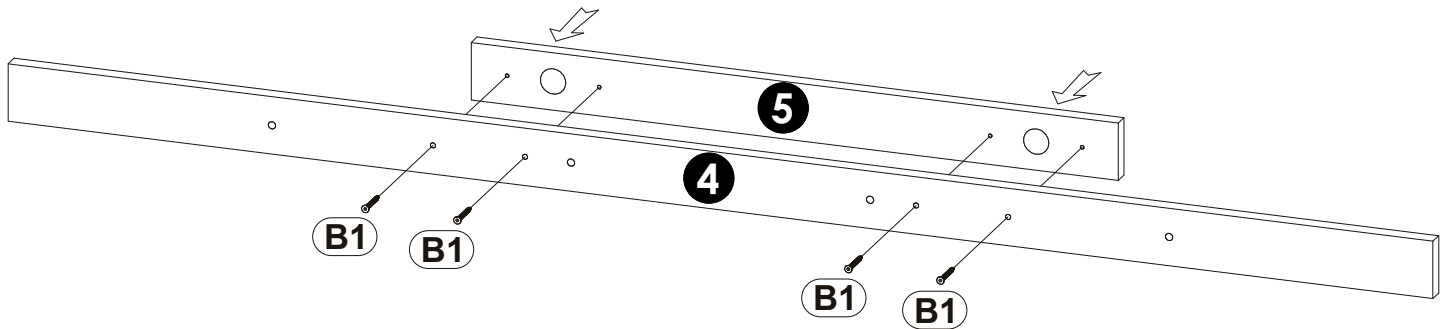
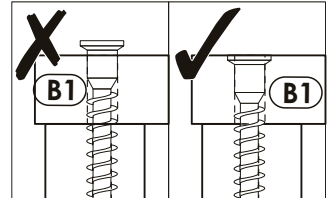
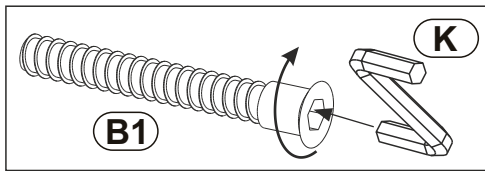
C21 	x4	C37 M6x70 mm 	x4	K 4mm 	x1
---	-----------	--	-----------	--	-----------





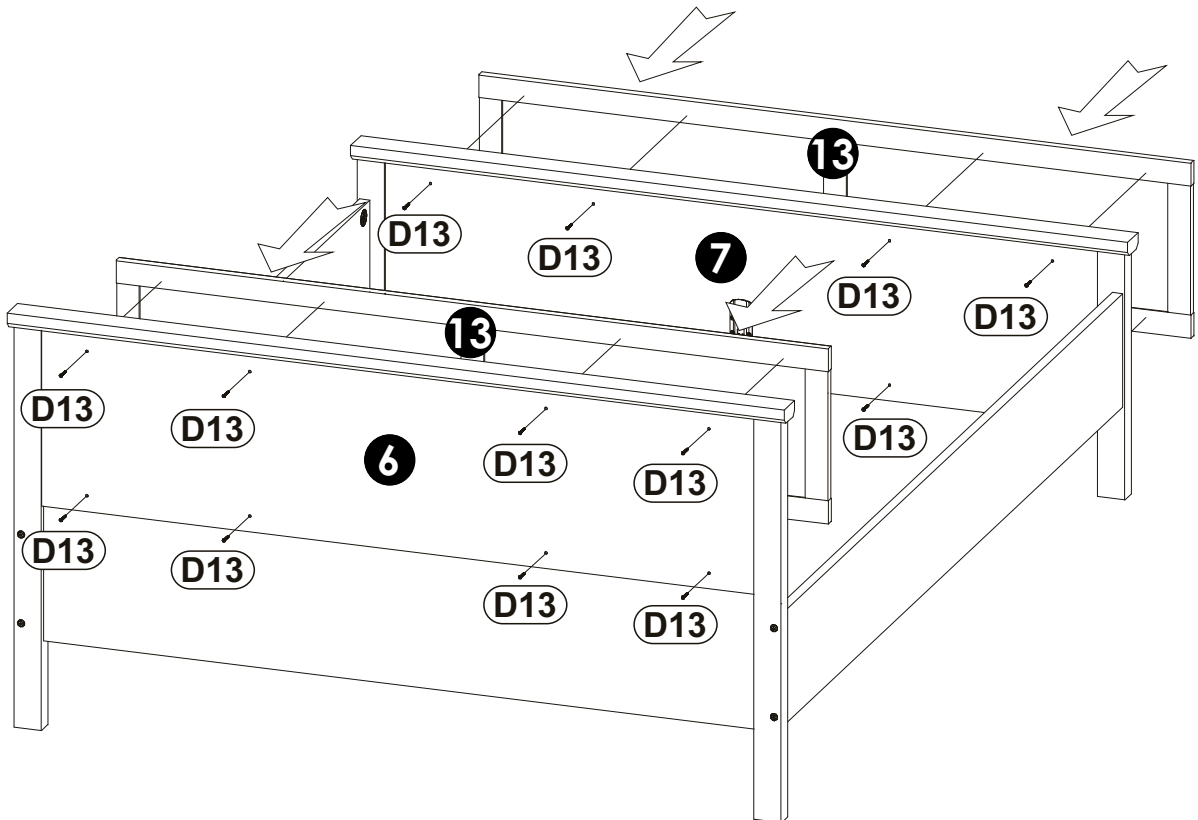
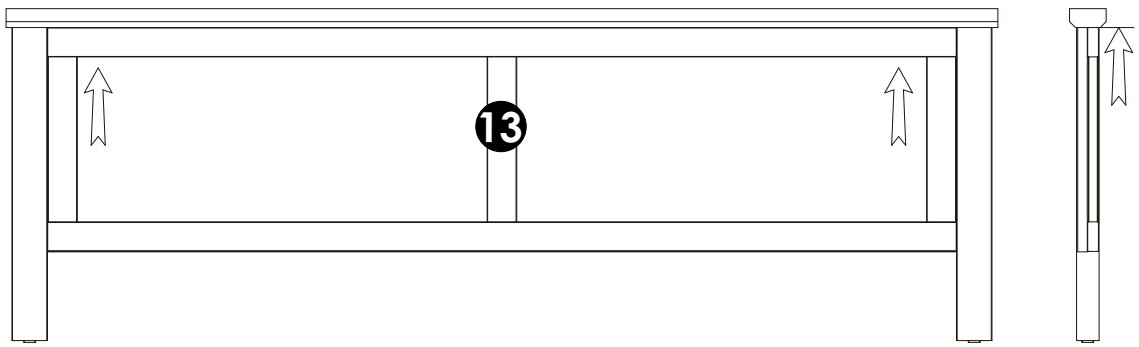
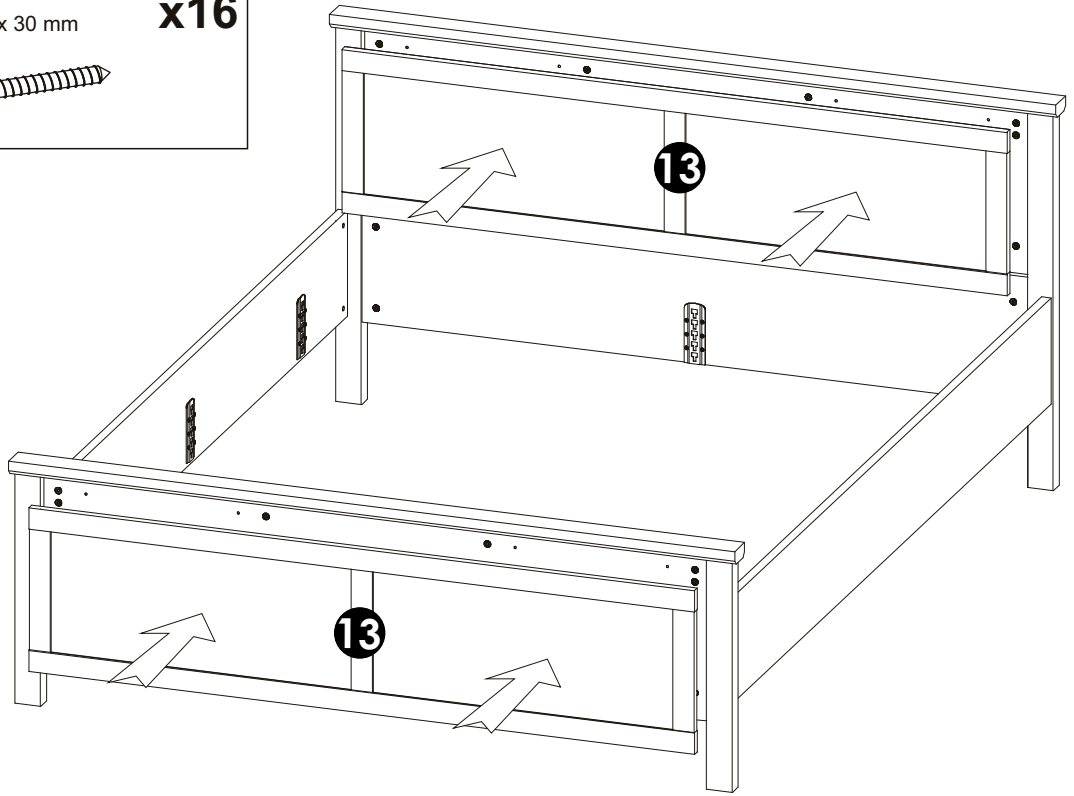

15

B1 7x 50 mm 	x4	D30 EURO 6,3 x 13 mm 	x2	K 4mm 	x1
P3 	x2	T9 	x2		


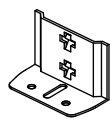


16

D13 4 x 30 mm **x16**



17

A5 10 x 40mm 	x4	P3 	x6
---	-----------	--	-----------

