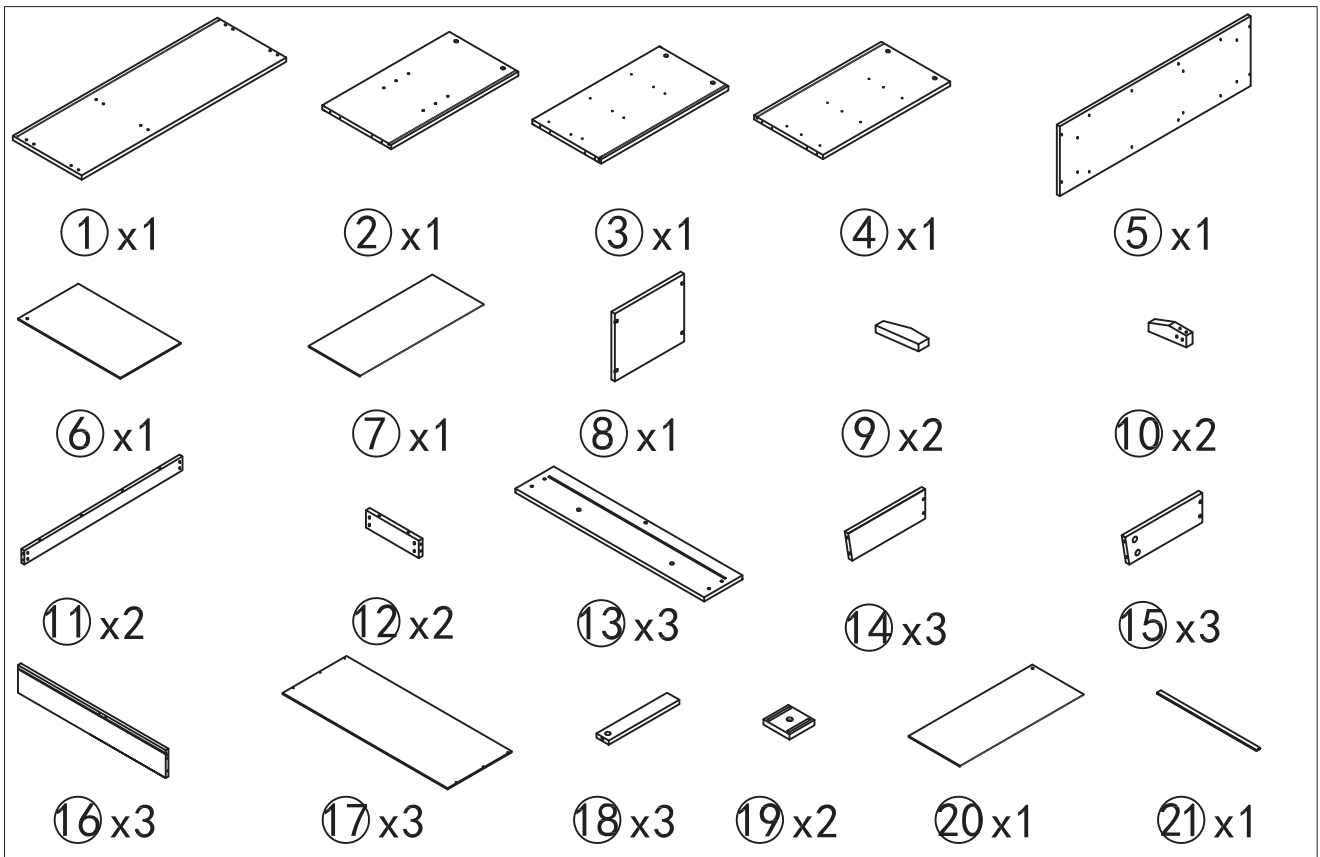
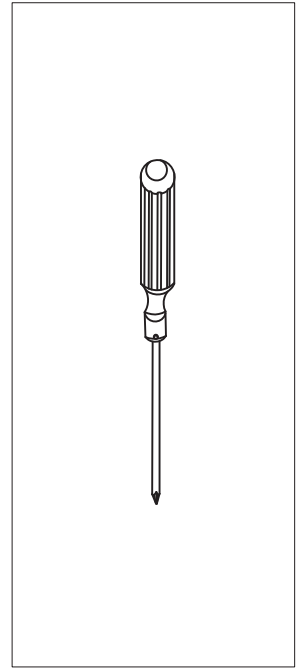
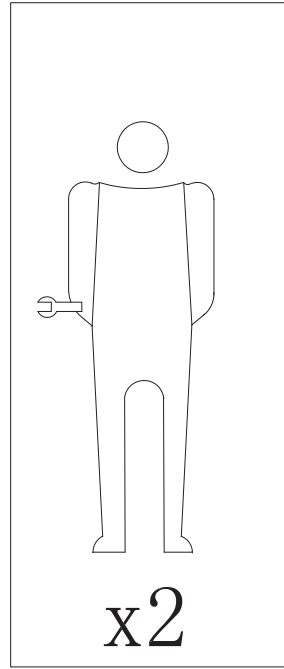
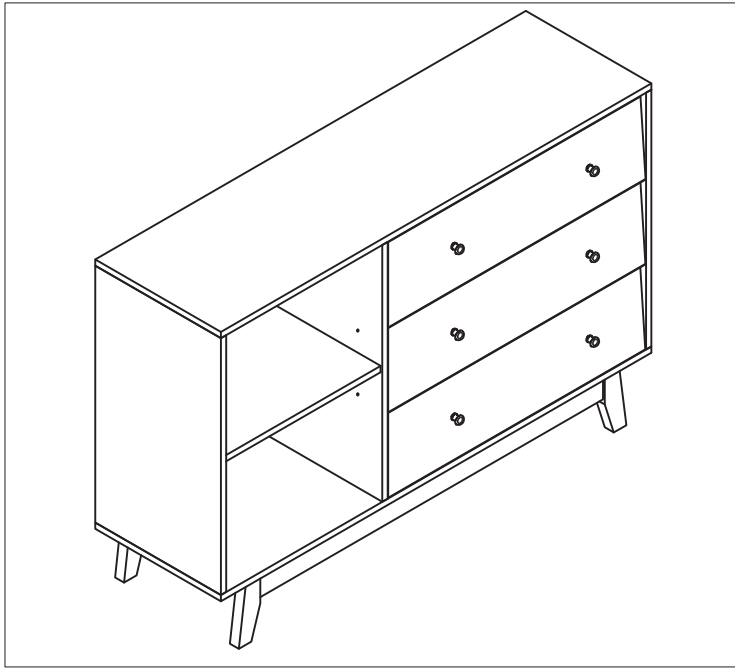
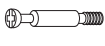







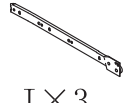






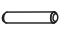





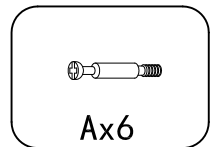
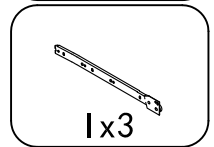
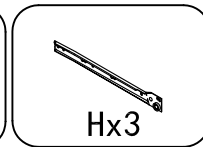
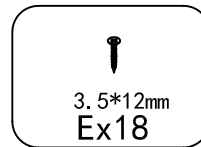
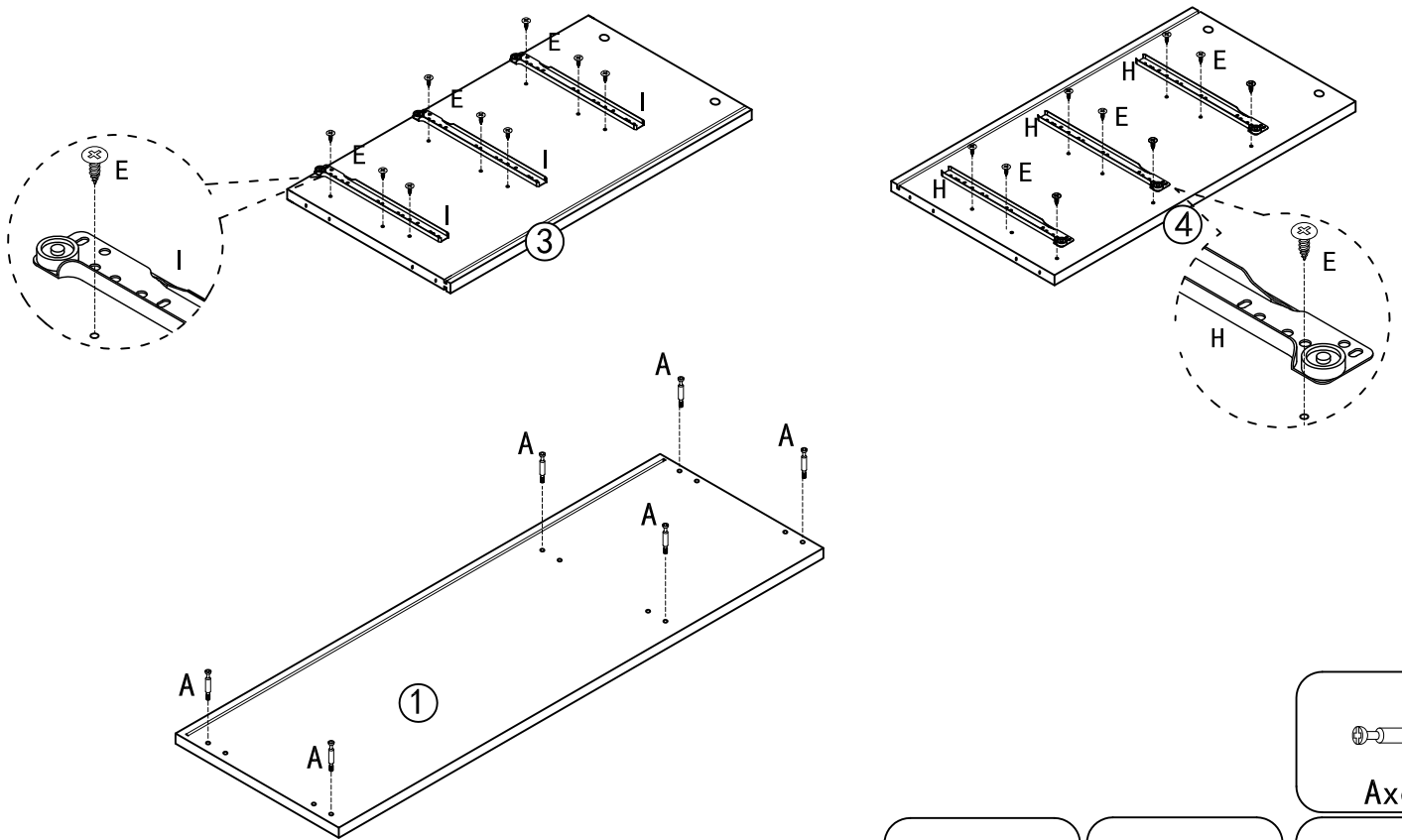
INSTRUCTION SHEET

04290025/02

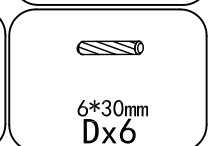
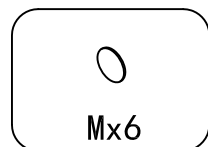
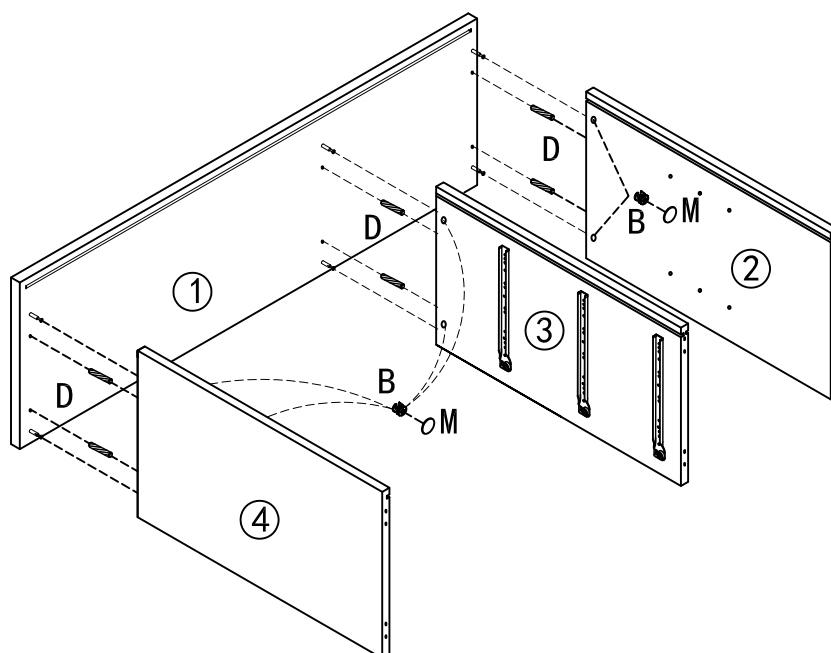


 6*35mm A×37	 15*12mm B×22	 15*10mm C×15	 6*30mm D×12	 3.5*12mm E×36	 5*45mm F×6	 G×6	 H×3
 I×3	 J×3	 K×3	 4*55mm L×12	 M×18	 4*30mm N×18	 4*18mm O×6	 5*25mm P×4
 3*14mm Q×12	 R×12	 S×4					

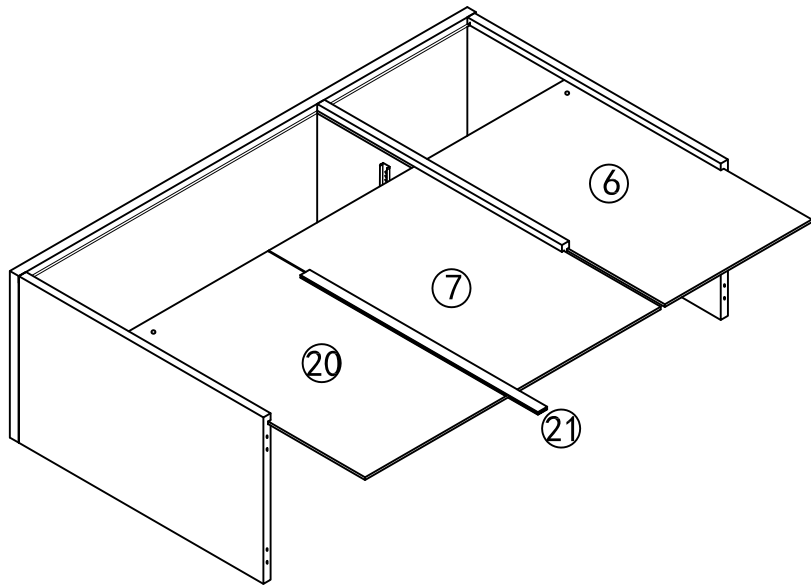
Step1



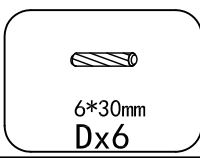
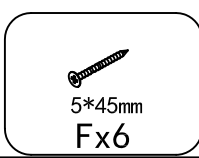
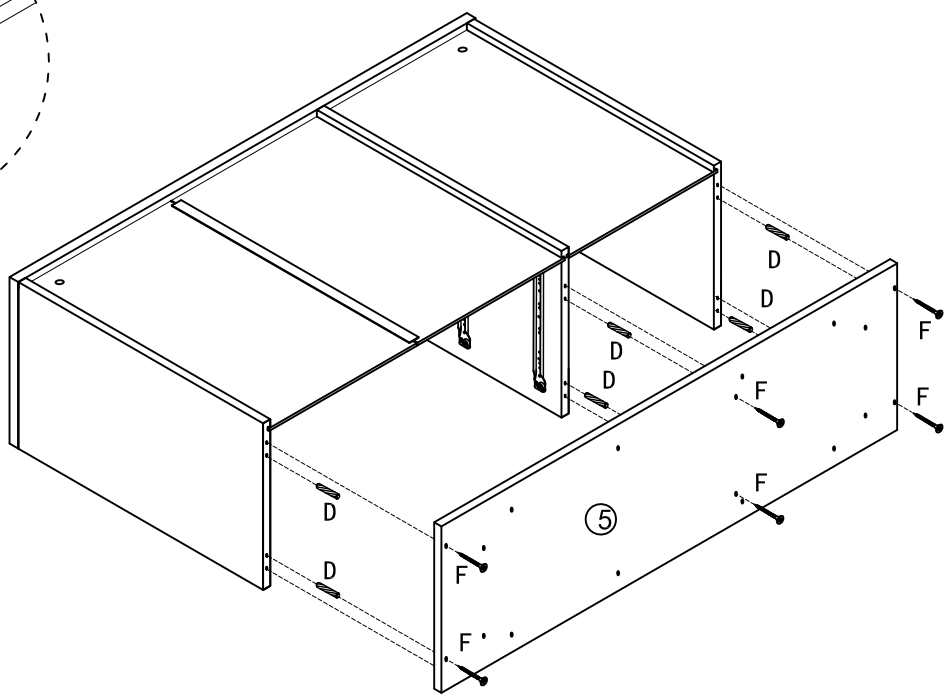
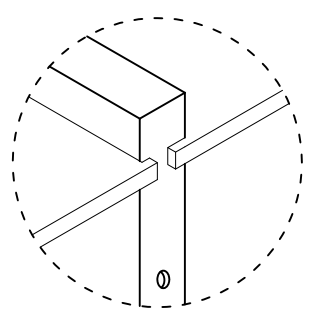
Step2



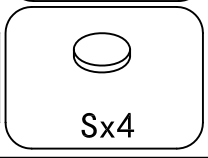
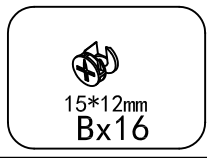
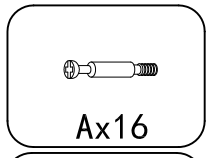
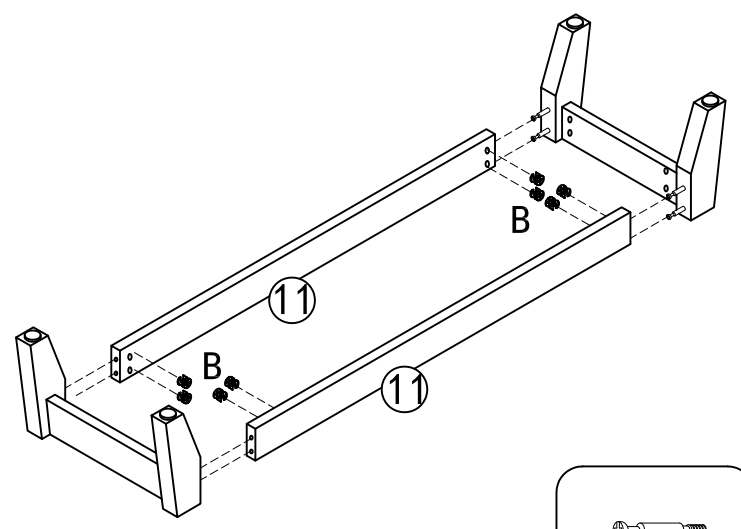
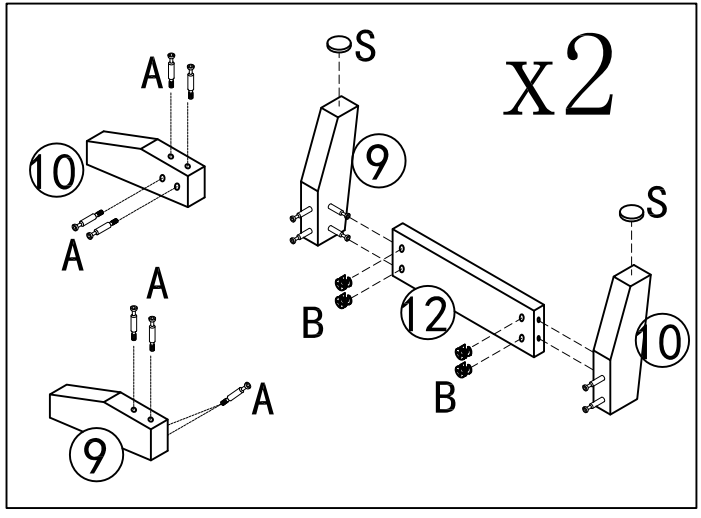
Step3



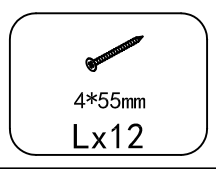
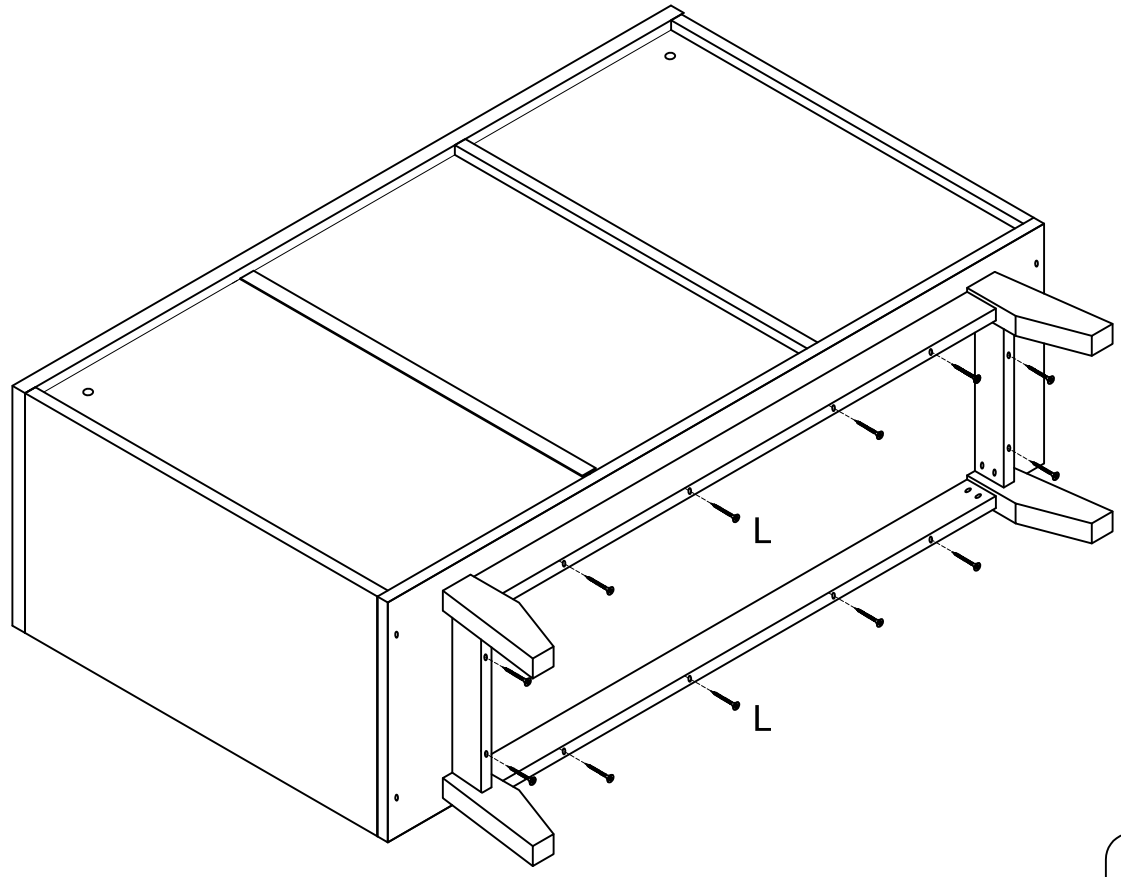
Step4



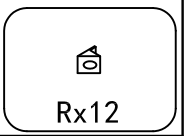
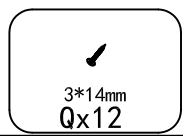
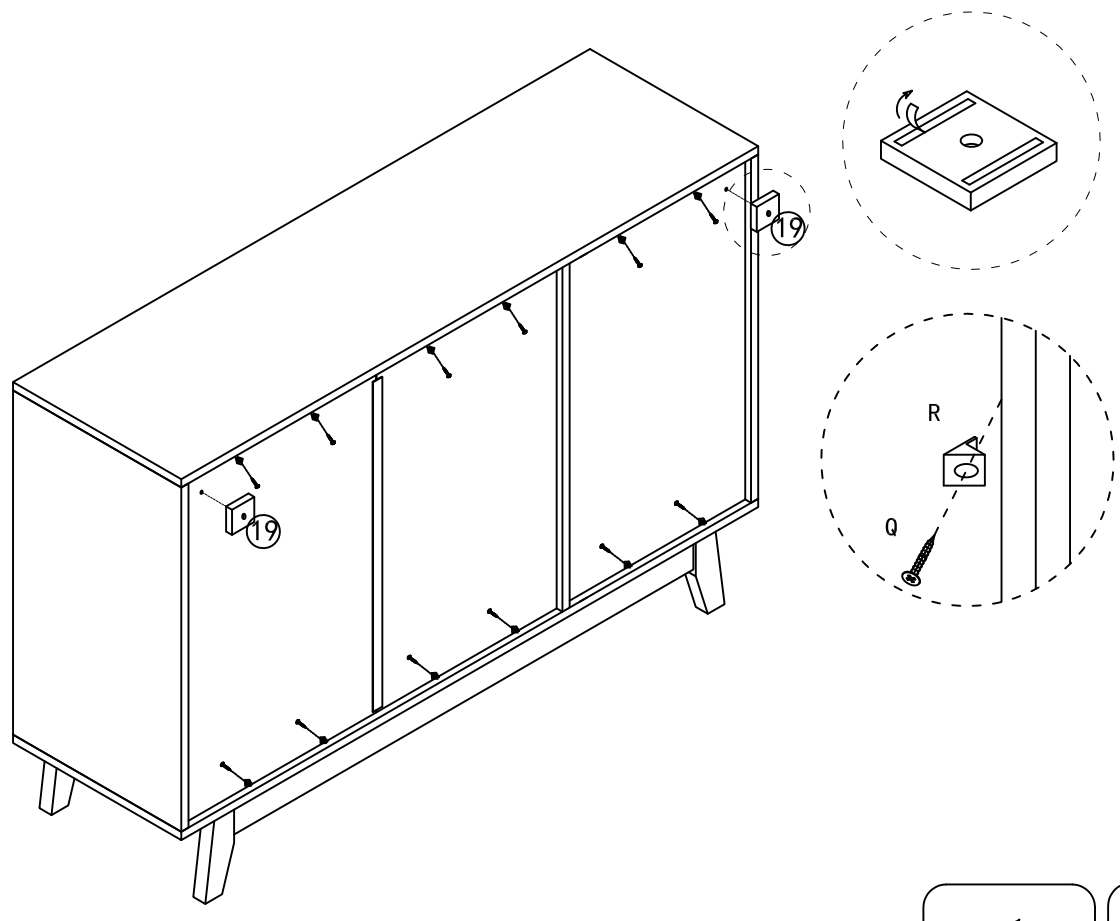
Step5



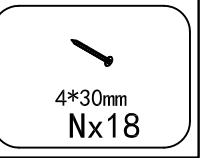
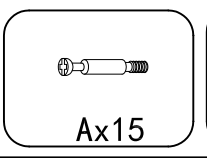
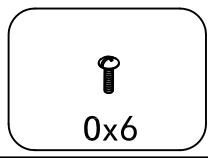
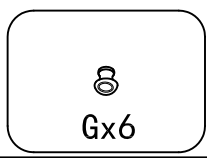
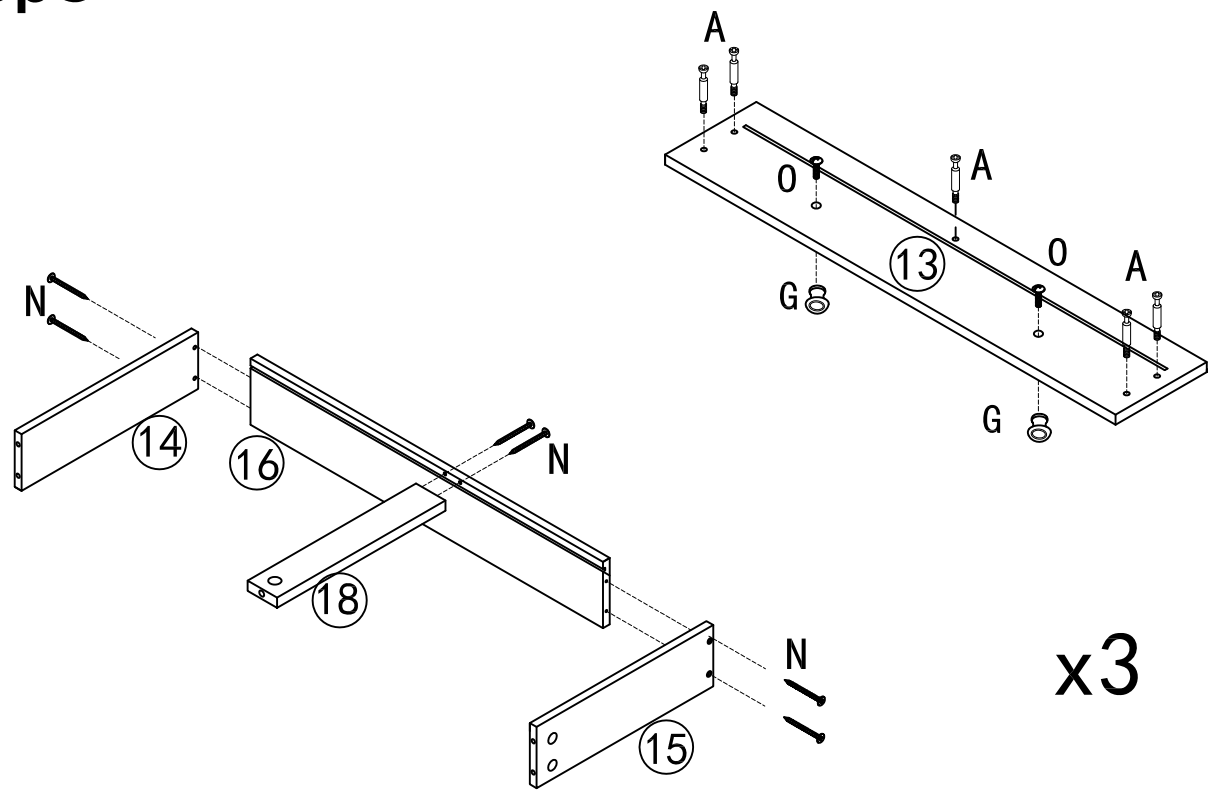
Step6



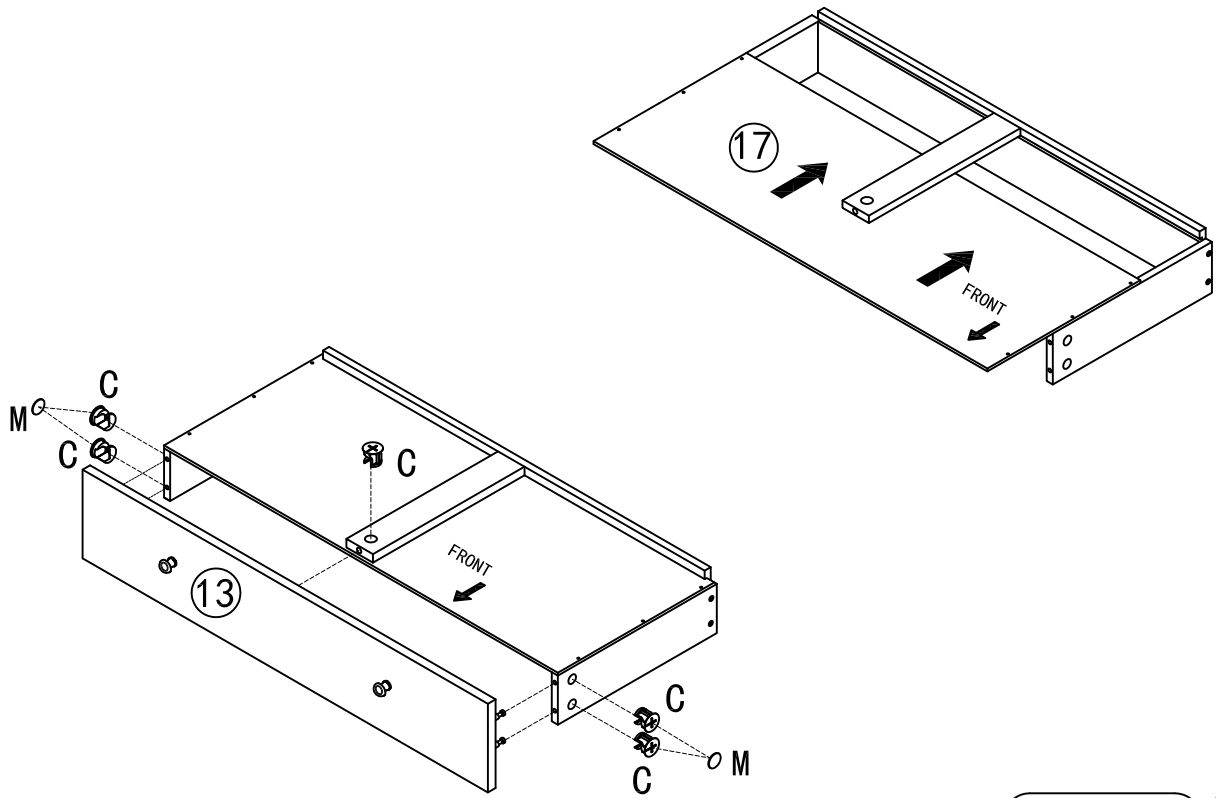
Step7



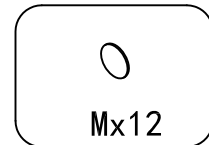
Step8



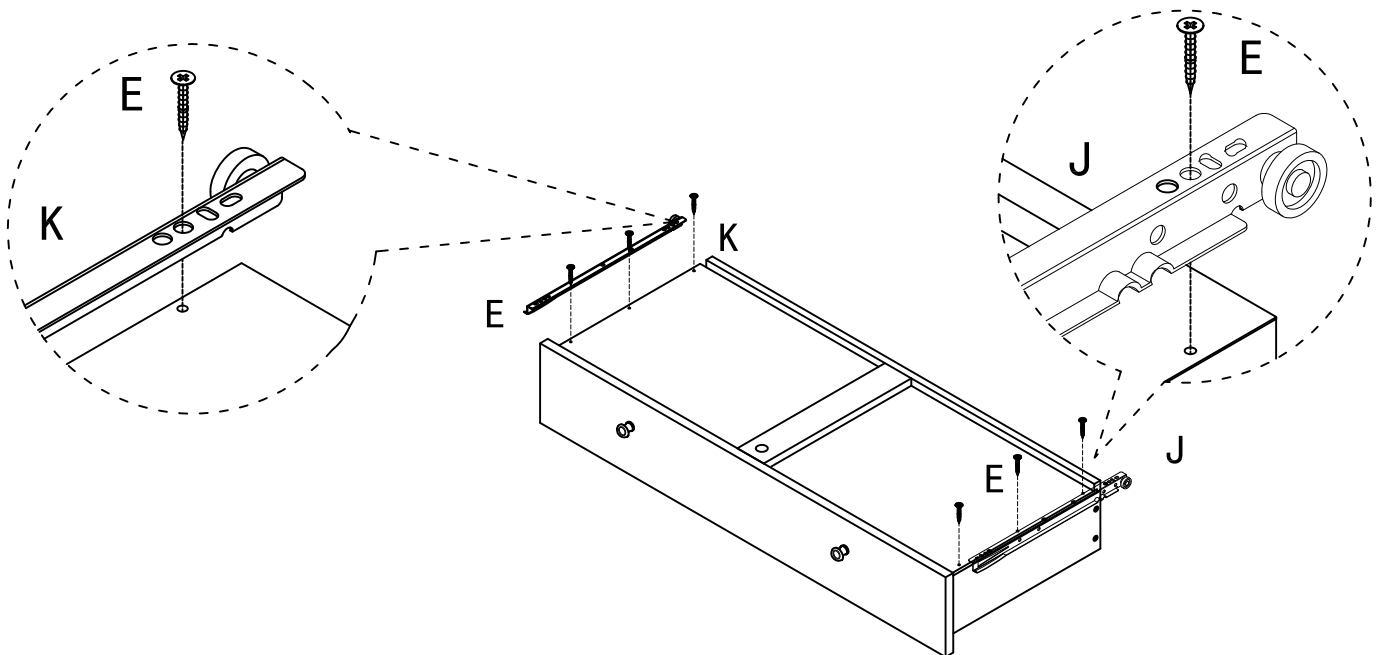
Step9



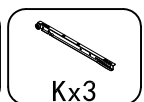
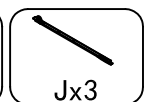
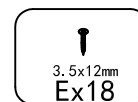
x3



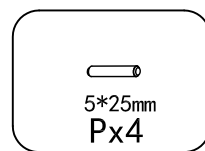
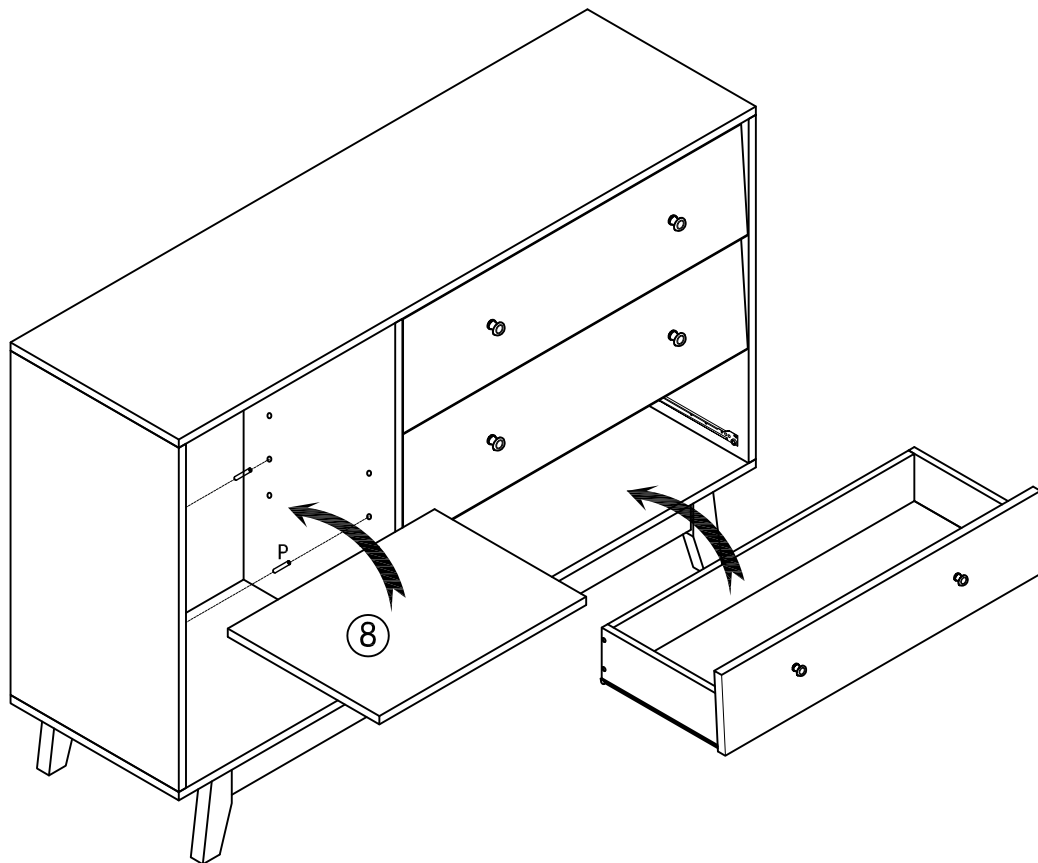
Step10



x3



Step 11



Step 12

