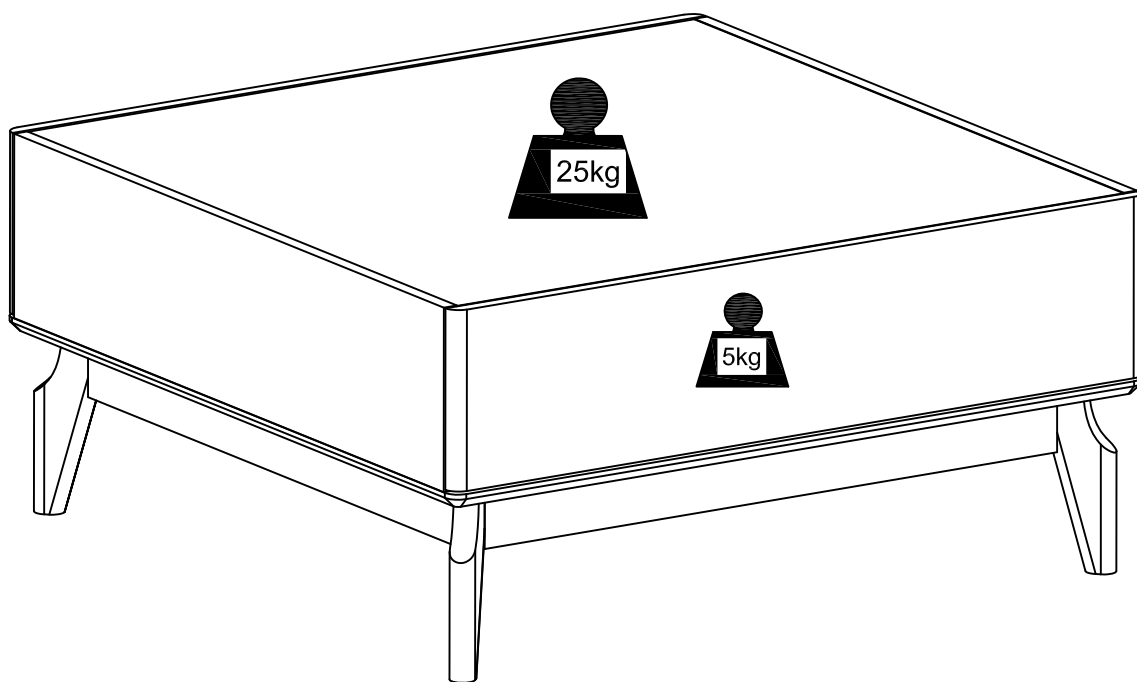
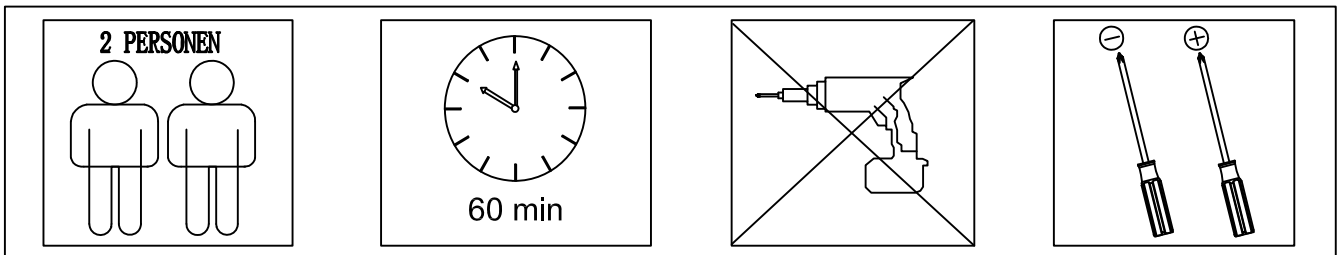
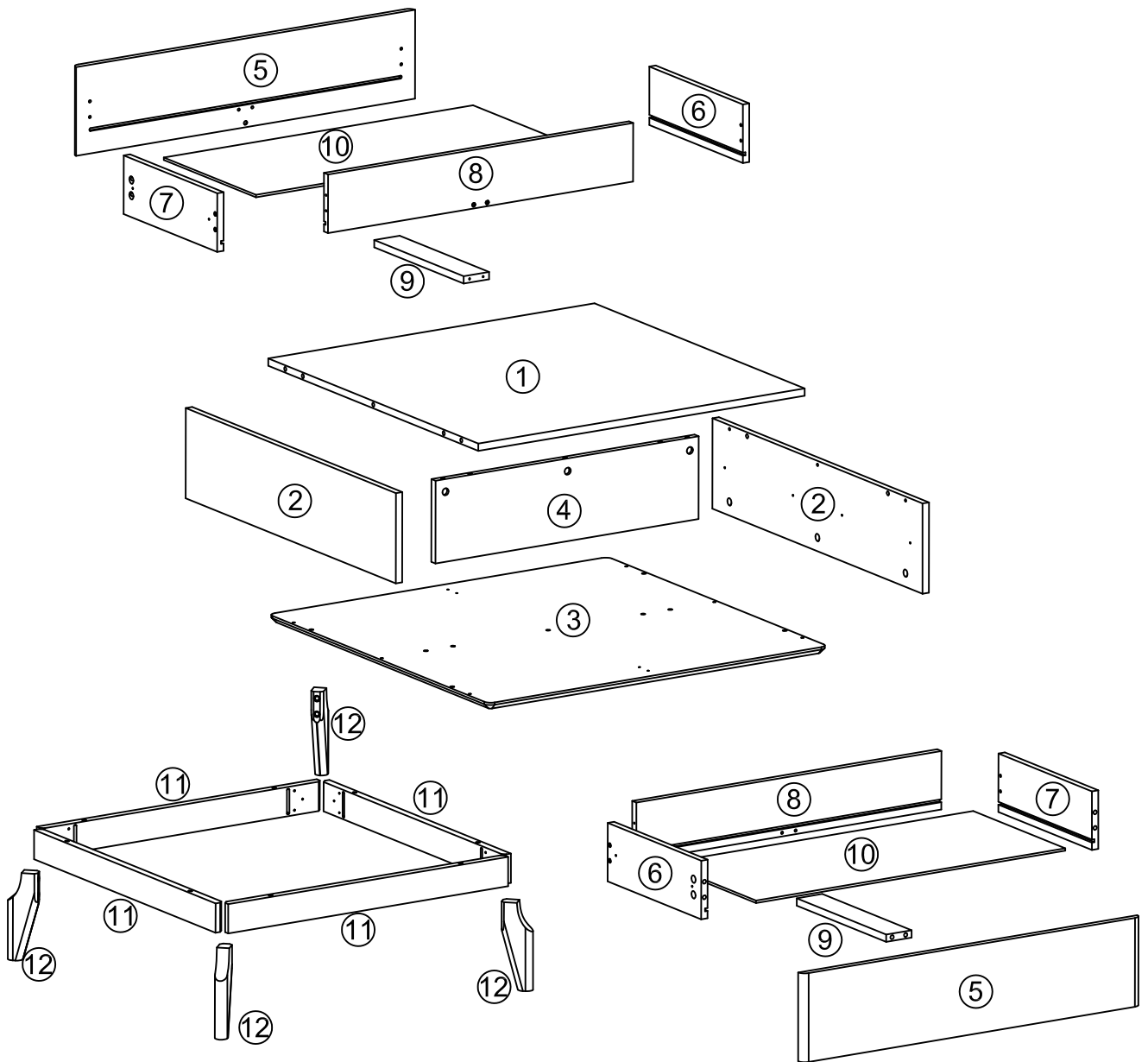


Assemble instruction

FOSCO

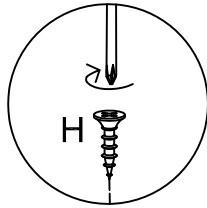
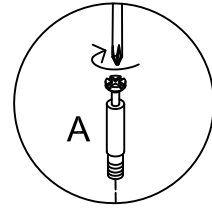
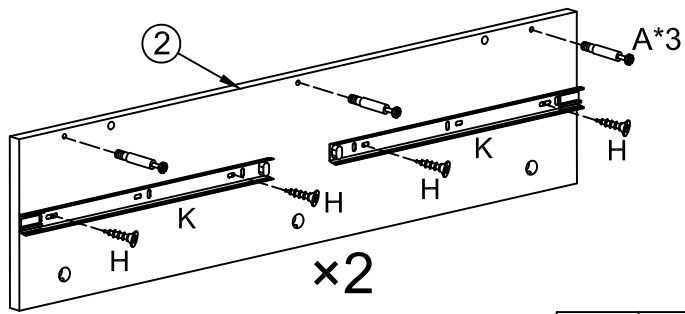
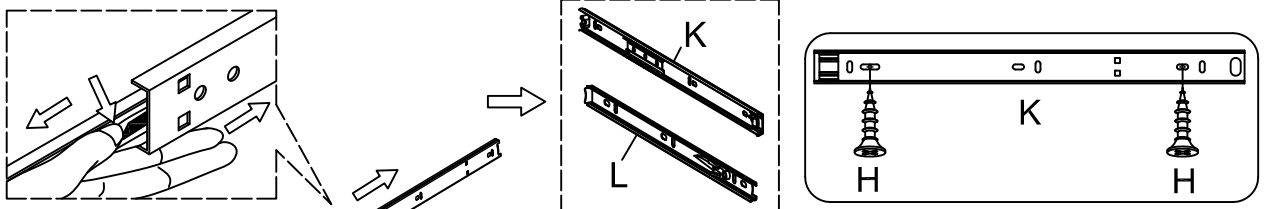
27980041/03

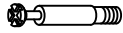






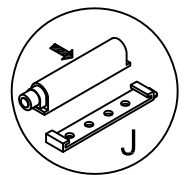
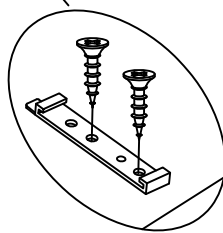
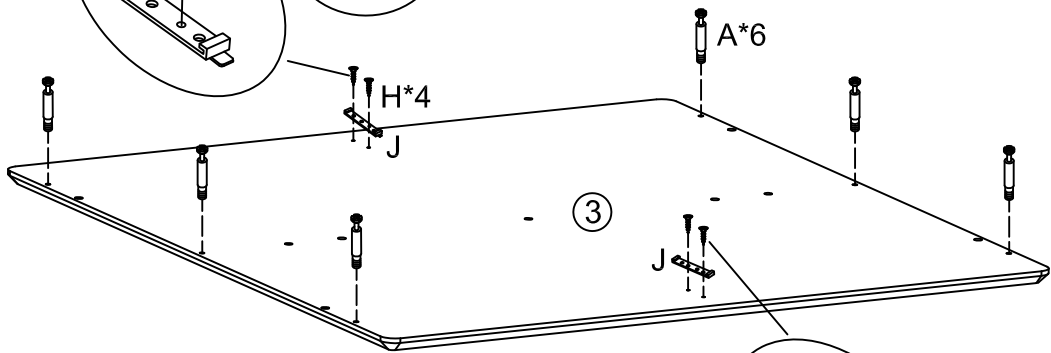
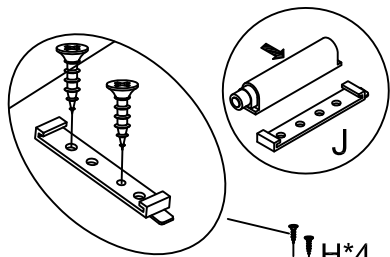
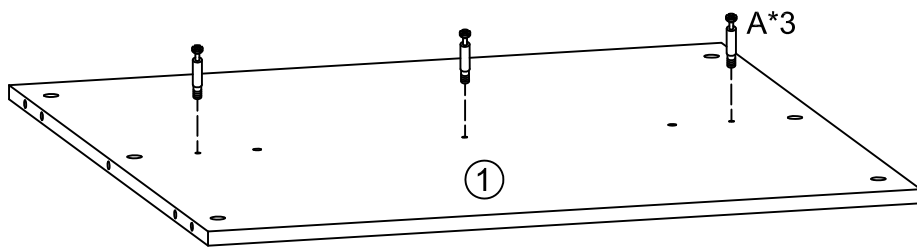
A	×27	B	×27	C	×3	D	×8	E	×8	F	×8	G	×12	H	×46
M6*35mm		∅15mm		M7*50mm		M6*50mm		M6*60mm				∅8*30mm		∅3.5*14mm	
I	×12	J	×2	K	×4	L	×4	M	×8	N	×4	O	×4	P	×1
∅4*35mm				340mm		340mm								M4	

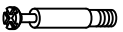


1



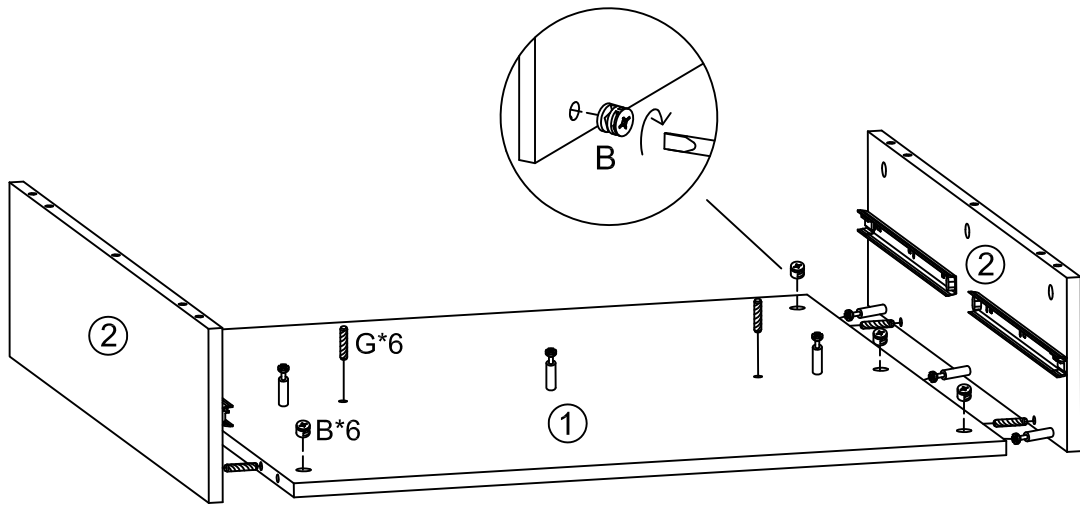
A	x6	H	x8	K	x4
					
M6*35mm		Ø3.5*14mm		340mm	



2



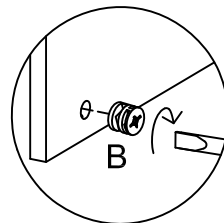
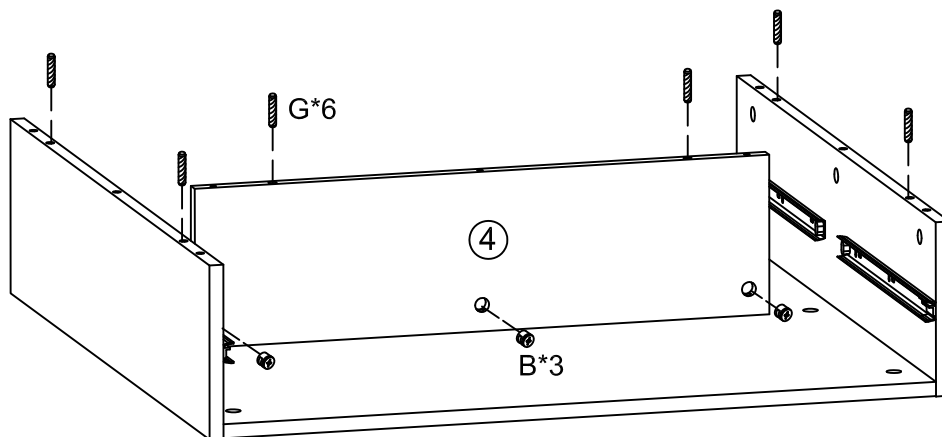
A	x9	H	x4	J	x2
					
M6*35mm		Ø3.5*14mm			



3



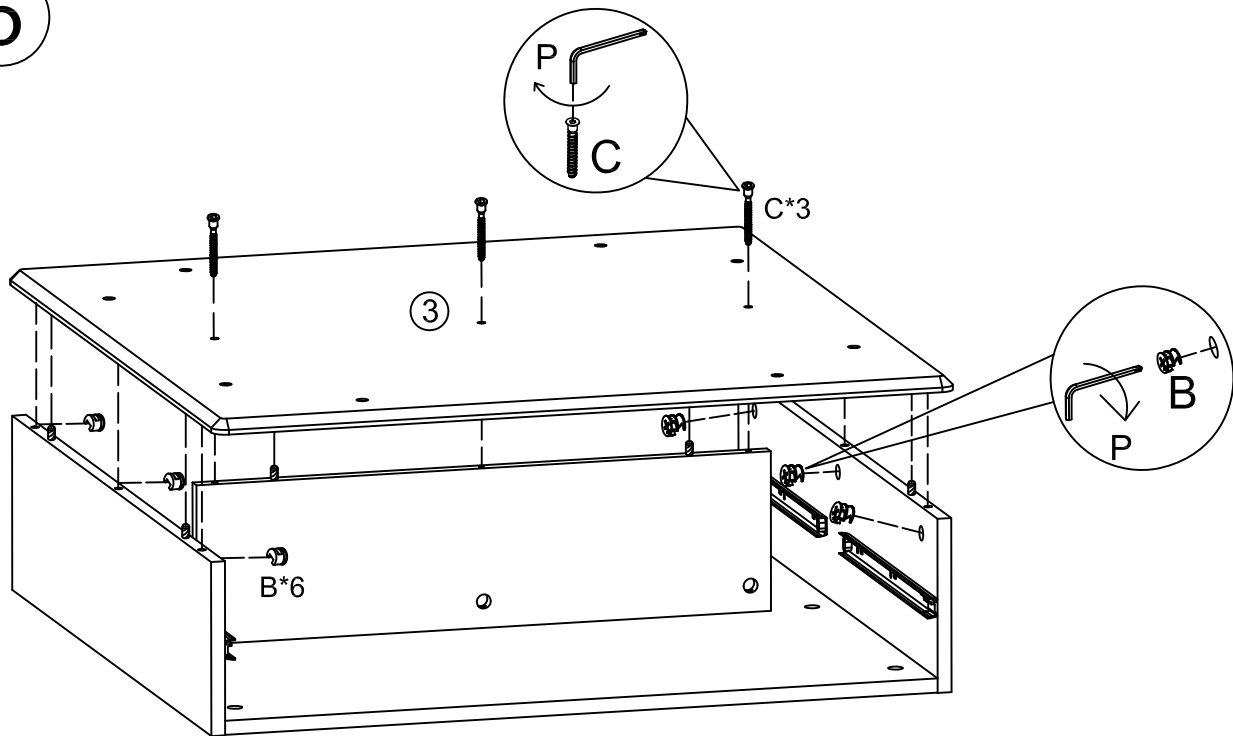
B	x6	G	x6
			
Ø15mm		Ø8*30mm	

4



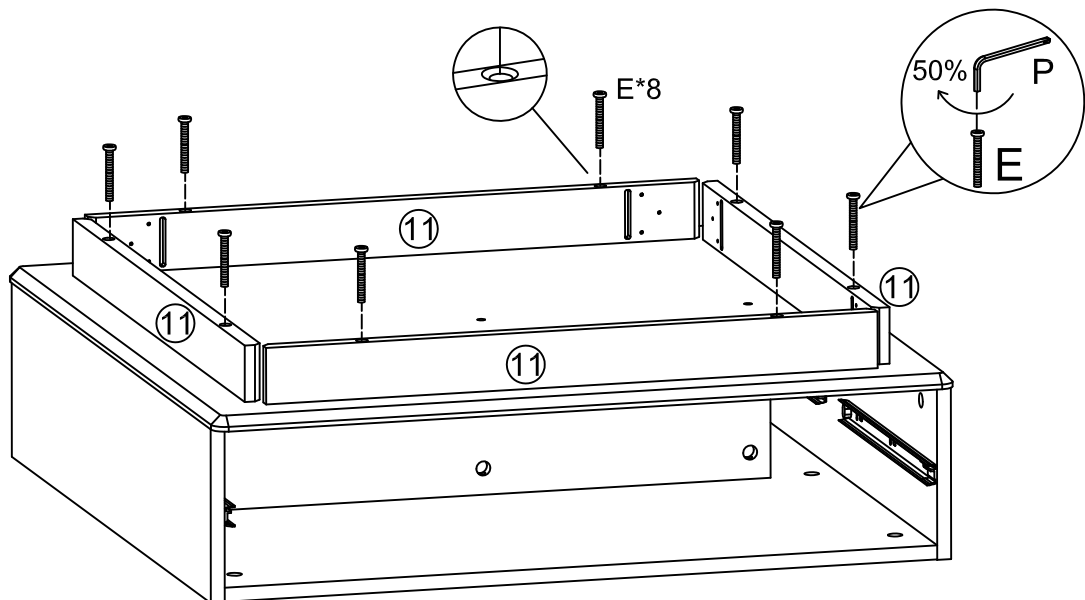
B	x3	G	x6
			
Ø15mm		Ø8*30mm	

5



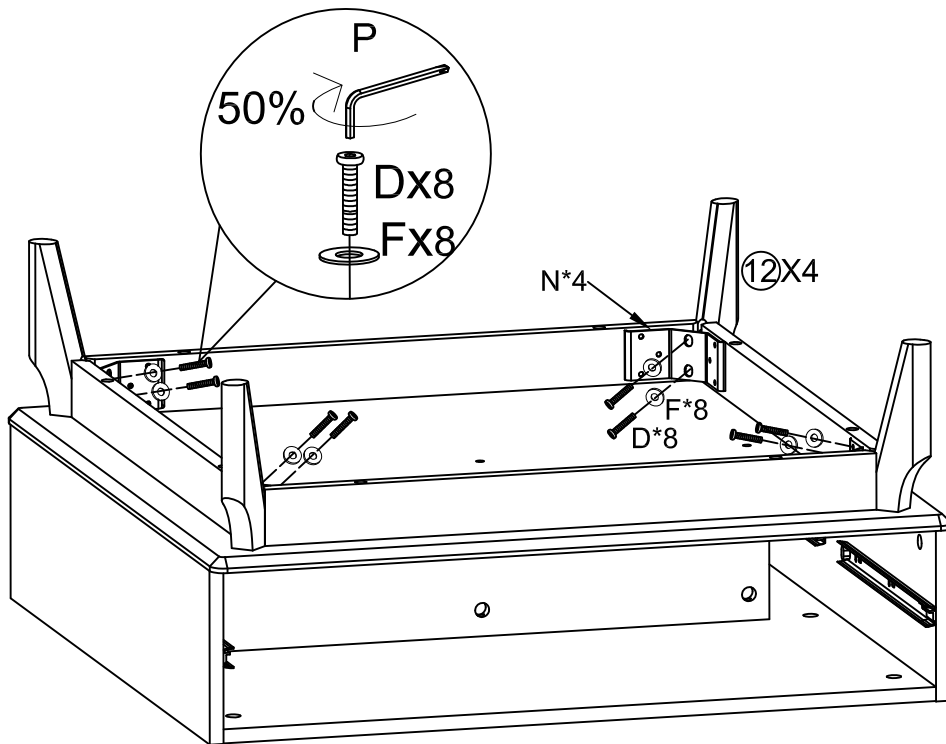
B	x6	C	x3	P	x1
<p>ø15mm</p>		<p>M7*50mm</p>		<p>M4</p>	

6



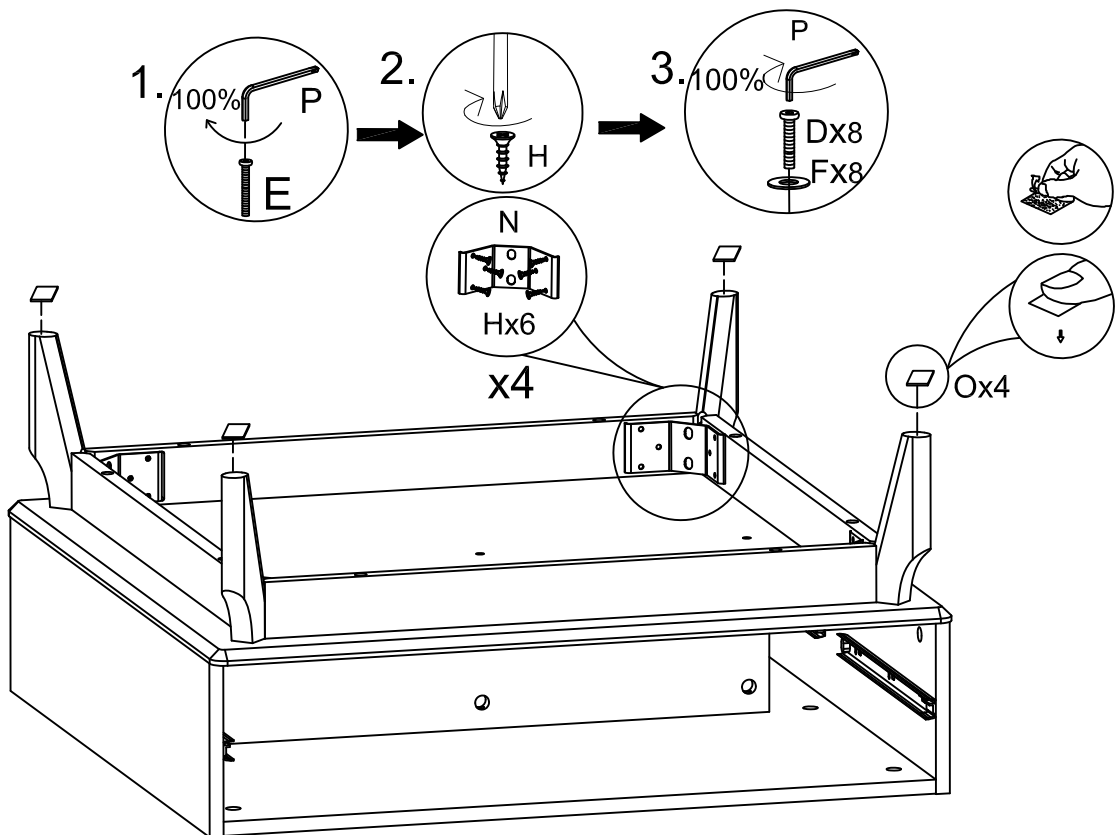
E	x8	P	x1
<p>M6*60mm</p>		<p>M4</p>	

7



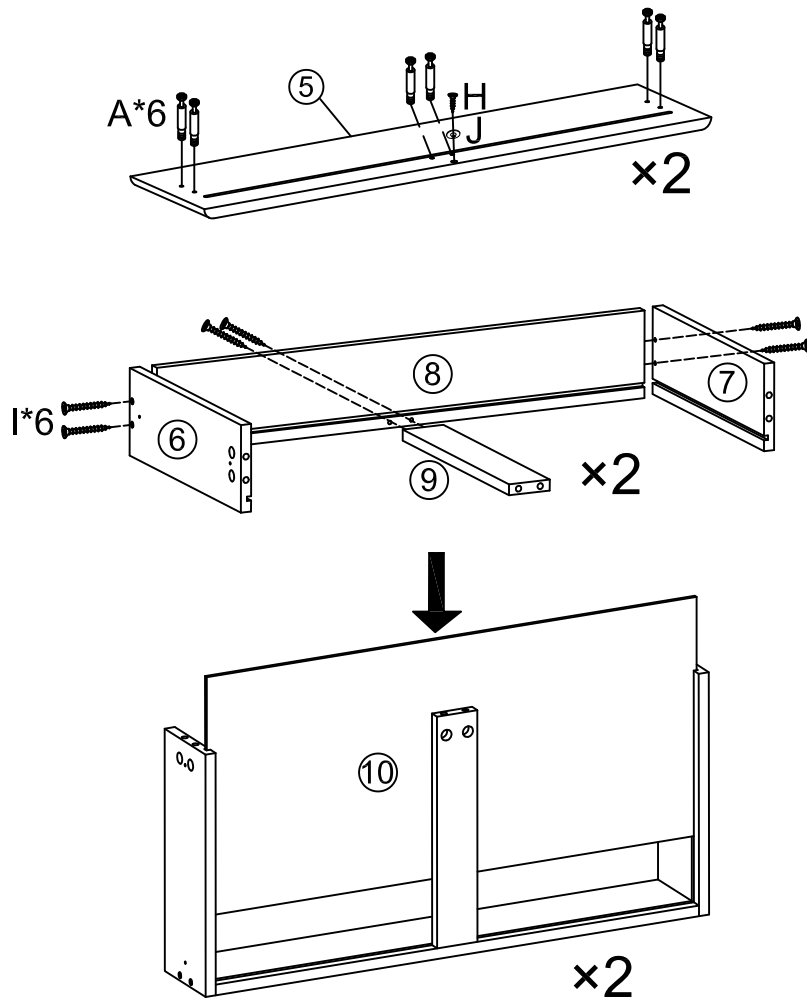
D	x8	F	x8	N	x4	P	x1
M6*50mm						M4	

8



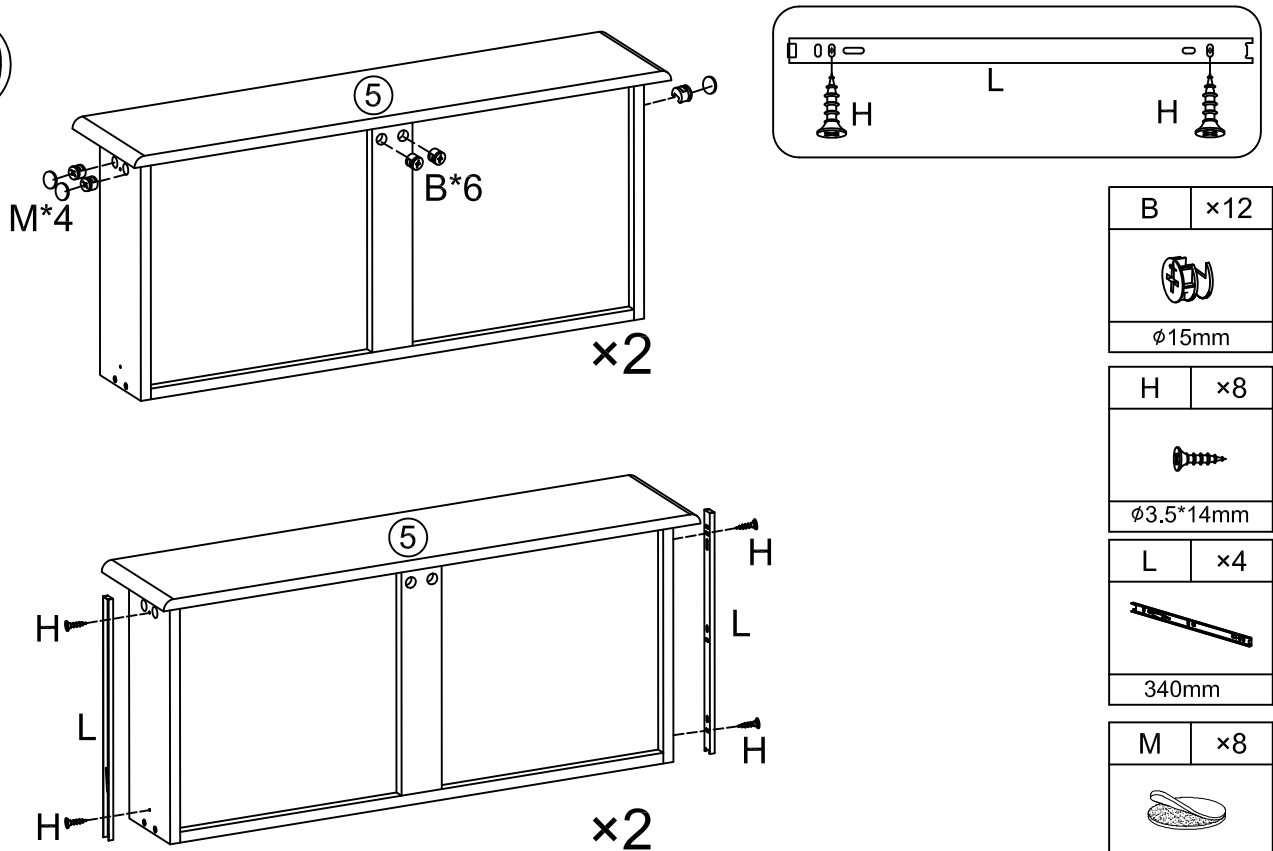
H	x24	O	x4
ø3.5*14mm			

9



A	×12
M6*35mm	
H	×2
φ3.5*14mm	
I	×12
φ4*35mm	
J	×2

10



B	×12
φ15mm	
H	×8
φ3.5*14mm	
L	×4
340mm	
M	×8

11

